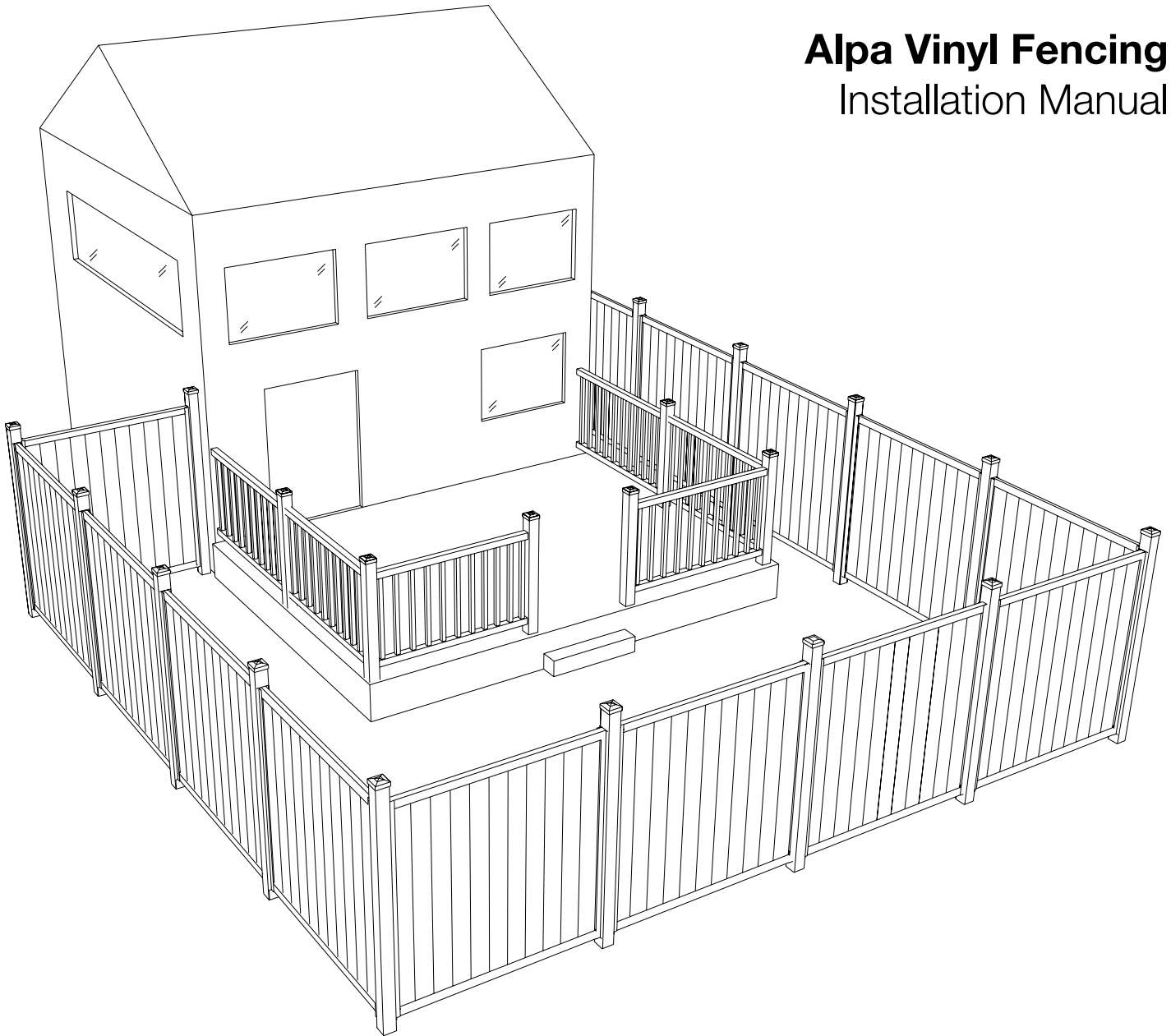


Alpa Vinyl Fencing Installation Manual



Supplied by:

Thank you for choosing ALPA Outdoor Products

Please read this installation manual completely before installing your new Alpa Fence or Privacy Screen. Retain this manual and your dated sales receipt for future reference or warranty claims.

Installation & Assembly Introduction

As with any construction project, use caution and safety when cutting and installing your new fence or privacy screen. Alpa Outdoor Products cannot be responsible for any damages or injuries resulting from the incorrect use of any tools, equipment or the mishandling of any fencing components.

- Use proper lifting procedures when handling any product or packaged product.
- Take care when handling the individual components and wear gloves to avoid cuts or scrapes.
- Follow proper operating procedures for any tools, ladders, etc. used when installing your fence or privacy screen.
- Always protect your eyes. Wearing safety glasses when cutting is required when using any power tools.
- The fence panels must be anchored and connected properly to either a wood substructure, concrete pad or in ground support system. See the following pages for recommended options for installing a fence or privacy screen. Some fasteners, lags or concrete anchors may not be included.
- Contractor or owner to supply fence post supports.

This is a maintenance free product made of weatherable vinyl and as such does not need to be painted or stained. Painting of the product will VOID the warranty. If a paintable fence product is needed please contact Alpa Outdoor Products Inc. or your supplier.

Tool Required for Assembly

- Power drill with a #2 type "A" bit (4" in length or longer)
- 3/8" x 4" concrete bit for 3/8" x 3 3/4" Wedge-All (concrete steel post insert mounted application)
- 1/8" x 6" wood bit for 3/8" x 6" wood lag screw (wood deck and steel post insert mounted application)
- Measuring tape
- Safety glasses and gloves
- 3' to 4' level and carpenters square
- Chop saw (10" blade length with 60 teeth recommended)
- Skill saw (hand held)
- Ground auger (see page 3 – for options 2 and 3 post installation)
- Wheel barrel (required if using a ground auger)
- Shovel (required if using a ground auger or mixing cement)

Fences and posts must not be installed in a manner contrary to local building codes and by-laws or the instructions that have been provided. The Alpa fence panels have been tested in Canadian/American approved labs for wind resistance and blowout under uniform loads.

Note: Privacy Fence Screens installed on balconies must not be used as guard rails as they are not considered structural. If installing as a privacy screen on any end of a deck above 23 5/8" from grade use the Alpa Structural Railing as a guard rail in front of the privacy screen. See the Alpa Structural Railing Installation Guide or call Alpa Outdoor Products technical support for further inquiries.

The installer must understand that failure to follow the installation instruction set forth in this manual may result in deficiencies in the final assembly and will VOID the warranty.

Attention

Before you assemble and install your fence or privacy screen:
Please take a complete inventory of all parts using the part identification guide provided.
Do not attempt to install the fence or privacy screen if parts are missing or damaged.
For assistance or replacement parts call your supplier.
Always call to get your ground locates — "Call before you dig."

Part Identification for Fence Assembly & Gate Installation

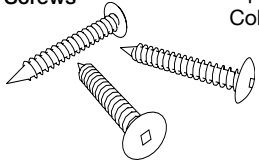
Storage:

Your fence panels come pre-assembled in sections. Do not store them flat on intermediate supports. Always store your fence products vertically up against each other.

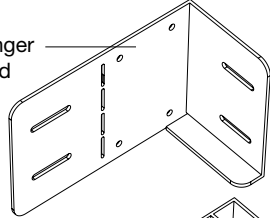
Mounting Options:

Please note that there are two (2) possible fence panels to post mounting options.

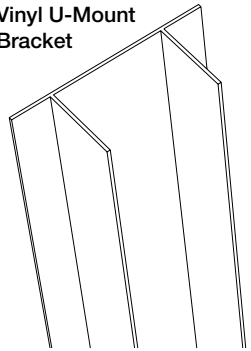
Screws



Alpa Metal Hanger
Colour Matched



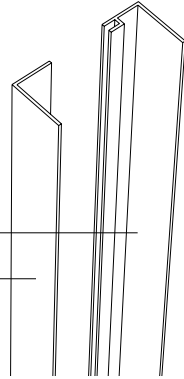
Vinyl U-Mount
Bracket



Option 1:
Vinyl U-Mount Bracket

OR

Vinyl End Strip - F
Vinyl End Strip - M



Option 2:
Alpa Metal Hanger & End Strips

Post Collar
(See page 3 for
post installation
options)

Post Cap

Fence Cross Board (Top)

Pre-assembled Fence Panel

Fence Cross Board (Bottom)

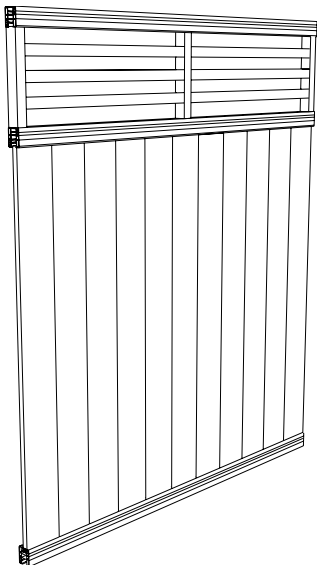
Metal U-Fence Stiffener (Optional)

4" x 4" x 78" Post Sleeve

2" Metal Pipe (Optional)
(See page 3 for post installation options)

Decorative Fence Options:

Please note that the top decorative fence topper option may be packaged separately from the bottom fence panel and may require to be snapped in place on site when installing depending on your area of shipment. See Step 3 on page 5 for instructions to do so if not already in place at time of shipping.



Optional Steel Post
(39" Steel Post x 2pc)
for Wall Mount Connection

Pre-assembled Gate

Vinyl Post Sleeve

Hinge

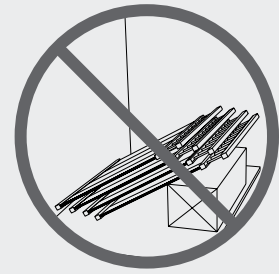
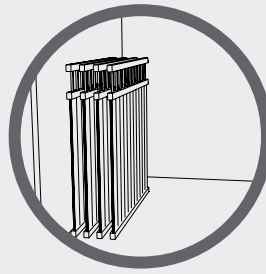
Latch

Note: Gate comes pre-assembled with exception of gate hinges. Pre-assembled gate with steel U-fence stiffeners all around (hinges and latch included and to be installed on site).

Important

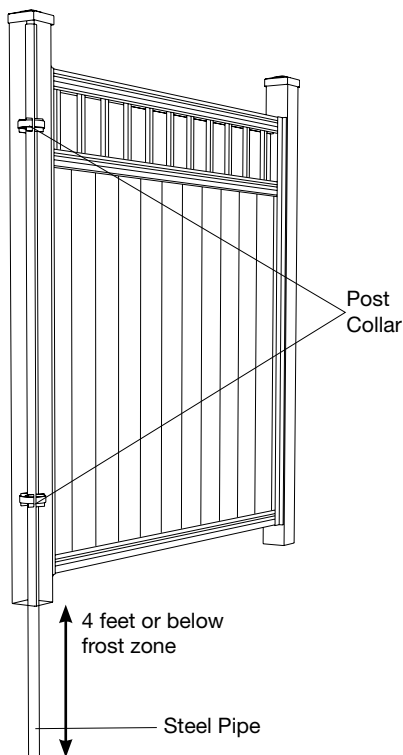
Your pre-made fence panels may arrive to you wrapped and strapped flat on skids for safe shipping purposes.

Always store your fence panels on edge upright. Never store fence panels on a job site flat, especially over an irregular surface or over construction debris.

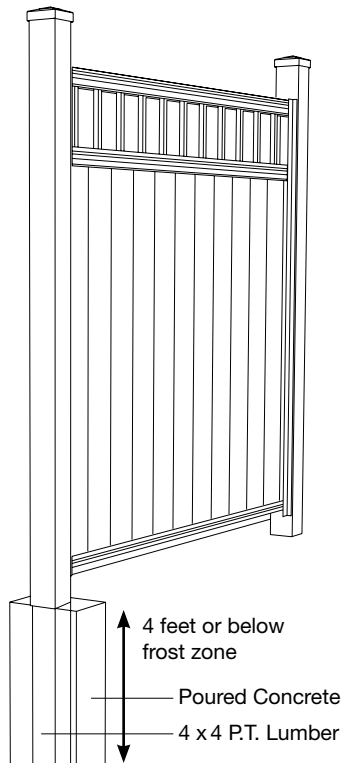


Step 1: Post Installation

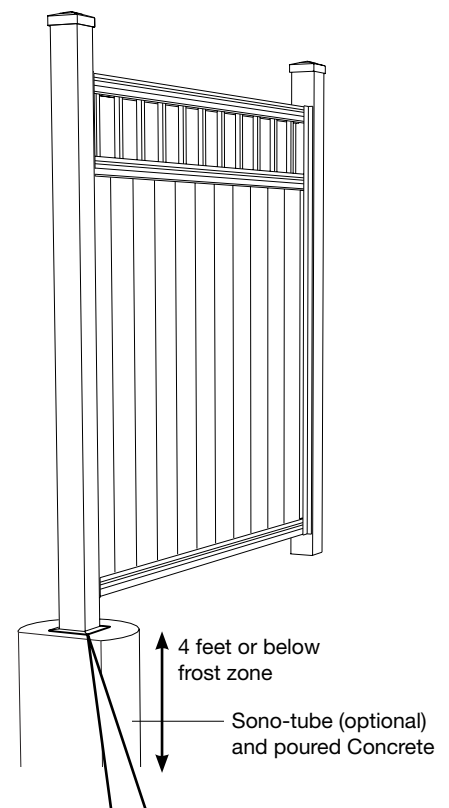
Option A



Option B



Option C



Option A: Steel Pipe

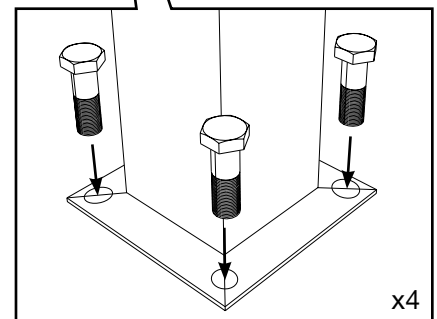
This method is mainly for the professional contractor as a post pounding machine is required to drive the steel post into the ground.

Option B: Lumber & Concrete

This is the traditional fence method with accuracy in measured spacing and plumb alignment of the 4 x 4 P.T. post set into concrete to be very important.

Option C: Sono-tube/Concrete & Steel Insert

This method will allow for some tolerances in placements of concrete piers, as the steel post insert and base plate can move slightly to get the post spacing and alignment required. Sono-tubes are optional and not required as in Option (B). The steel post insert option is recommended for any privacy screen to be installed on a wood deck or concrete balcony too. See recommended fasteners for each condition on page 4.



Recommended: (See page 4)
1. 4-3/8" x 3 3/4" Wedge all OR
2. 4-3/8" x 6" Hex Head Wood Lag
if installed on wood deck

Recommended Installation for Wooden or Concrete Structure

Wooden Structure

1. Locate centre point for each newel post.
2. Install block below deckboards and be sure to fasten blocking to joists.
3. Place steel post reinforcement over centre point and mark anchor locations.
4. Drill 1/8" diameter pilot holes at least 60 to 70% of lags shank.
5. Place steel reinforcement over pilot holes and screw in lags.

Recommended Wood Lag Screws

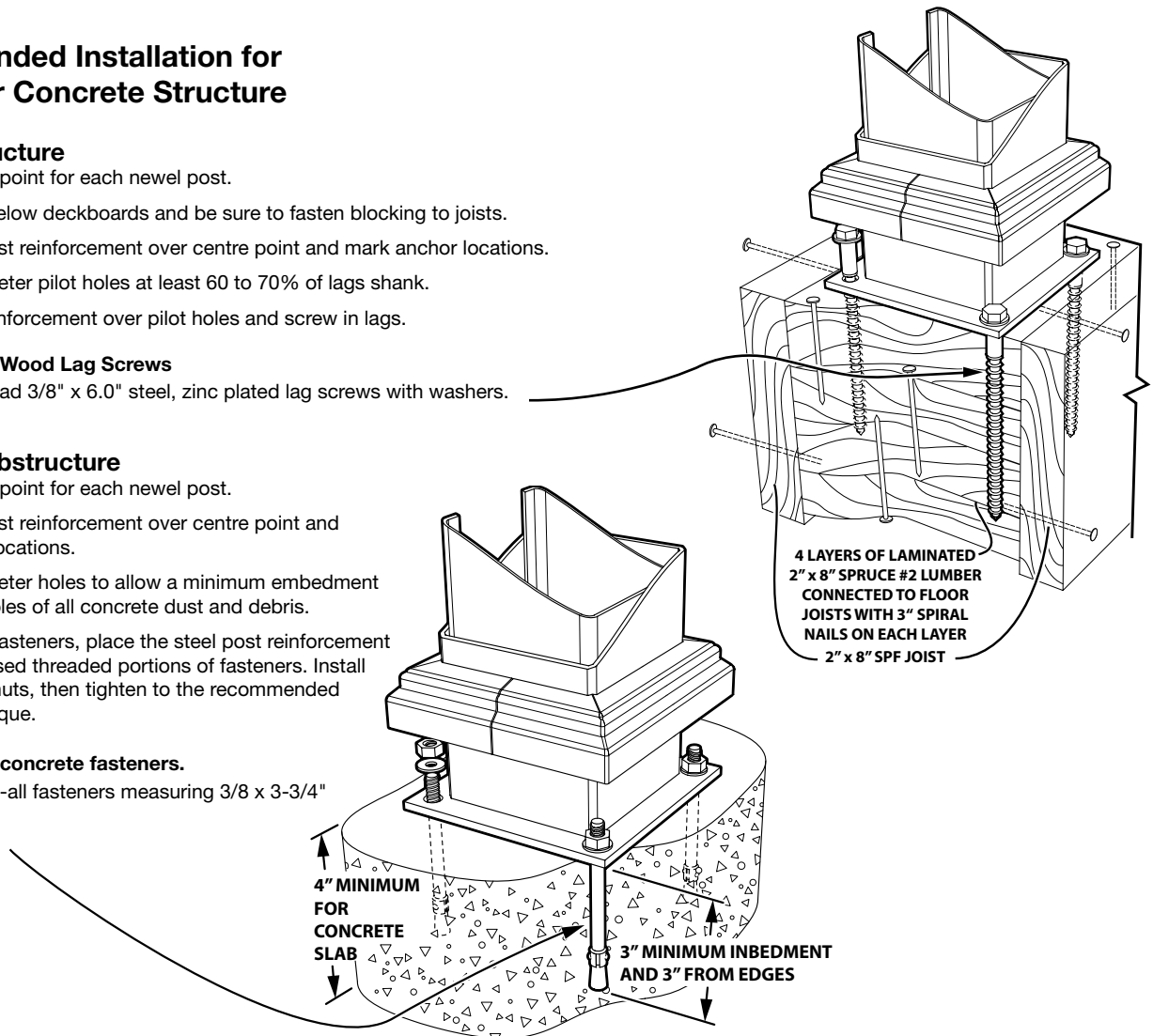
A set of 4 hex head 3/8" x 6.0" steel, zinc plated lag screws with washers.

Concrete Substructure

1. Locate centre point for each newel post.
2. Place steel post reinforcement over centre point and mark anchor locations.
3. Drill 3/8" diameter holes to allow a minimum embedment of 3", clean holes of all concrete dust and debris.
4. Tap concrete fasteners, place the steel post reinforcement over the exposed threaded portions of fasteners. Install washers and nuts, then tighten to the recommended 30ft/lbs. of torque.

Recommended concrete fasteners.

A set of 4 wedge-all fasteners measuring 3/8 x 3-3/4" with washers



Step 2: Mounting Brackets to Posts

Please note that there are two (2) possible fence panels to post connection mounting options. Alpa Outdoor Products recommends this as a guide:

Fence Style (Full Privacy):

- Cape Cod
- Carriage
- Carrington

Use the following options:

Option 1:

Vinyl U-Mount Bracket OR

Option 2:

Alpa Metal Hanger & End Strips

Fence Style (Semi Privacy):

- French Garden
- English Garden
- Hampton
- Estate
- Urban
- Nautical

Use the following option:

Option 1:

Vinyl U-Mount Bracket

Decorative Fence Options:

Please note that the top decorative fence option may be packaged separately from the bottom fence panel and may be required to be snapped in place on site when installing. See Step 3 on page 5 for instructions.

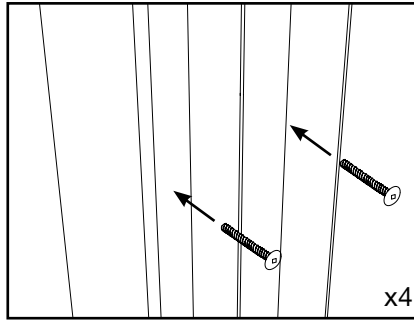
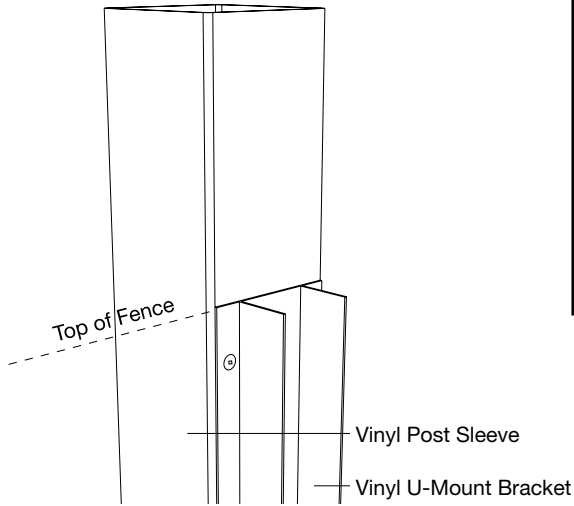
Step 2: Mounting Brackets to Posts (Continued...)

With Option 1: Vinyl U-Mount Bracket

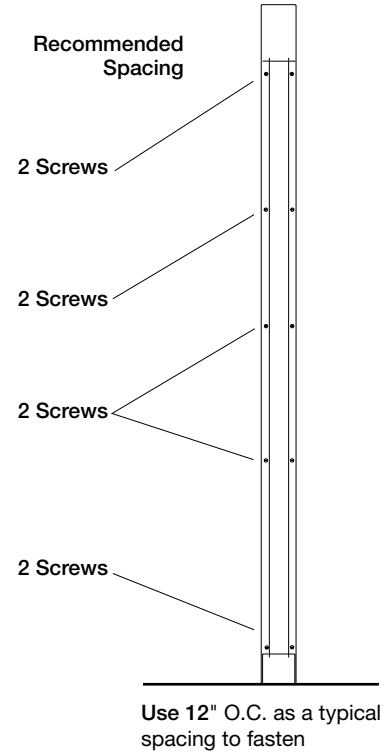
1. Determine the overall height desired for the top of the fence. Mark a level line on the post and fasten the Vinyl U-Mount Bracket to the post as per the illustration.

Important: Set the height of the fence to allow a minimum of a 2" to 3" gap above ground.

Connect Vinyl U-Mount Bracket to post, use 2" long screws.



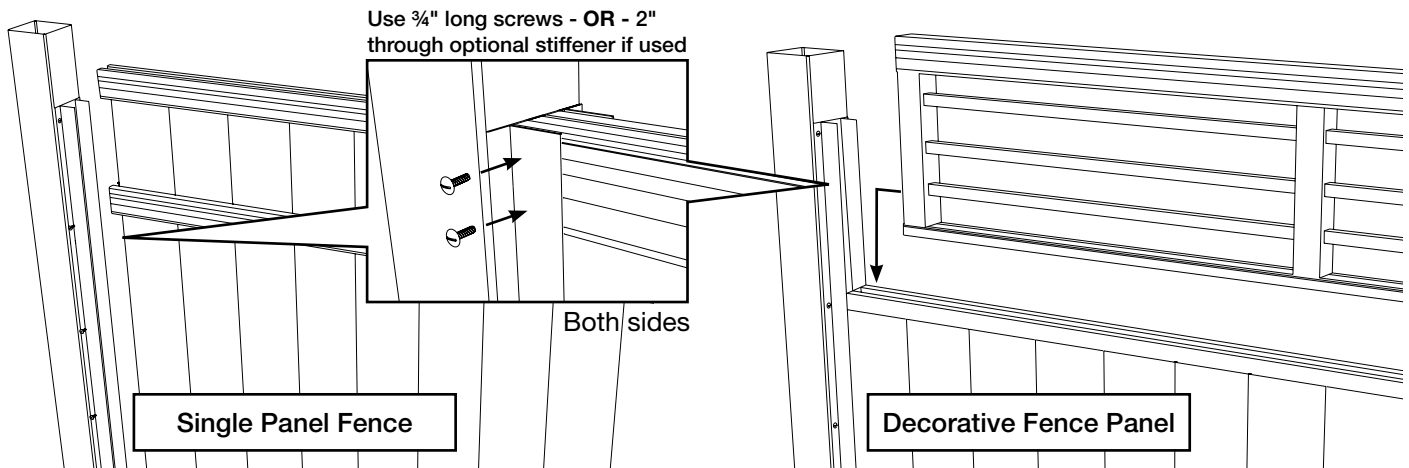
Note: When fastening screws through vinyl components, it is not necessary to drill pilot holes with the 2" long coloured screws, but may be required when using 3/4" coloured screws.



Step 3: Mounting Fence to Post

With Option 1: Vinyl U-Mount Bracket

1. Connect the opposite side Vinyl U-Mount Bracket directly to the fence panel (flush top).
2. Slide the fence panel into the Vinyl U-Mount attached to post and then slide fence panel between posts for a snug fit.
3. Level top of fence and connect the Vinyl U-Mount Bracket to the post and fence panel as per illustration. Follow recommended spacing for the fasteners. **Note:** if you are using the Metal U-Fence Stiffener option, slide into the fence panel crossbar (top or bottom) prior to connecting the fence panel to the posts (see page 2)
4. Repeat steps for other fence panels, always leveling the top of your fence. Note that staggering the height of the fence panel to the grade and slope of the ground is common and may be necessary to avoid large gaps between the bottom of the fence panel and the ground.



Note: Connect Vinyl U-Mount Bracket to fence panel on opposite end to slide easily between post, level, then fasten with screws to post.
* Use the 2" long self-taping coloured screw to attach to posts.

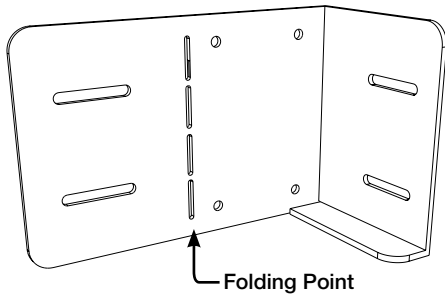
Optional connection for decorative fence top or snap the decorative fence top first, then install as per Step 2 + 3.
*Use the 3/4" coloured screw to attach to fence panel.

Step 2: Mounting Brackets to Posts (Continued...)

With Option 2: Alpha Fence Hanger & End Strips

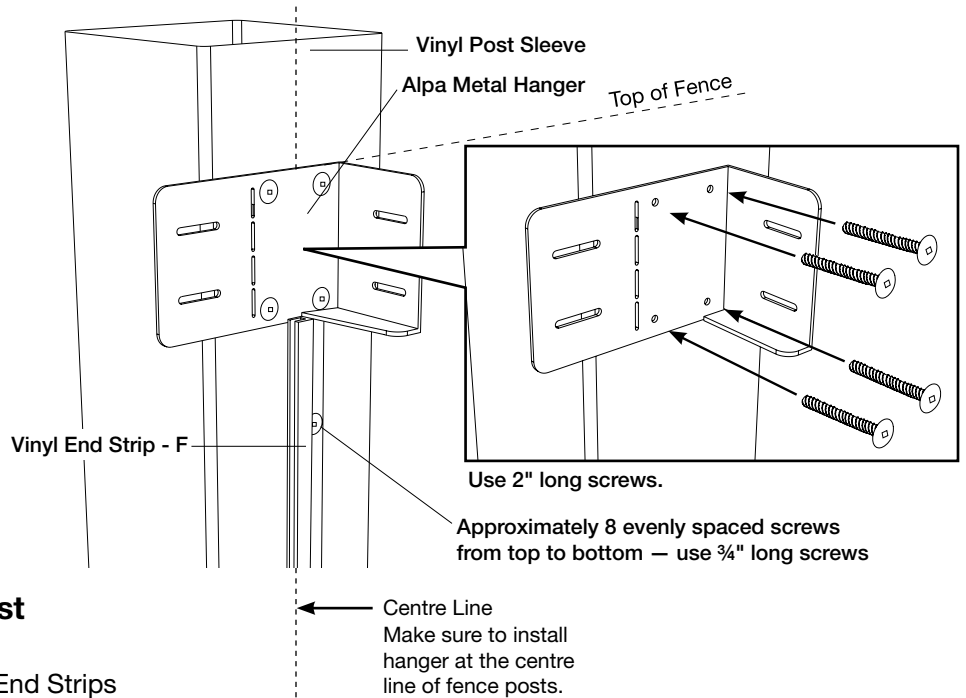
1. Mark the center line of the fence post and determine the overall height desired for the top of the fence. Mark a level line on the post 1/8" higher (top of hanger), align the top of the hanger and fasten the Alpha Hanger (left hanger is shown in illustration).
2. Fasten the Vinyl End Strip-F centered on post with screw port side onto post directly under the installed hanger and between hangers depending on the fence collection being installed. See illustration and recommended screw spacing for attaching the Vinyl End Strip-F to post.
3. Repeat for other side so both sides have open face of left and right hangers installed.

Alpha Hanger (left hanger shown)
(Patent Pending)



Left & Right Hangers Available (to be bent closed after fence is put into place)

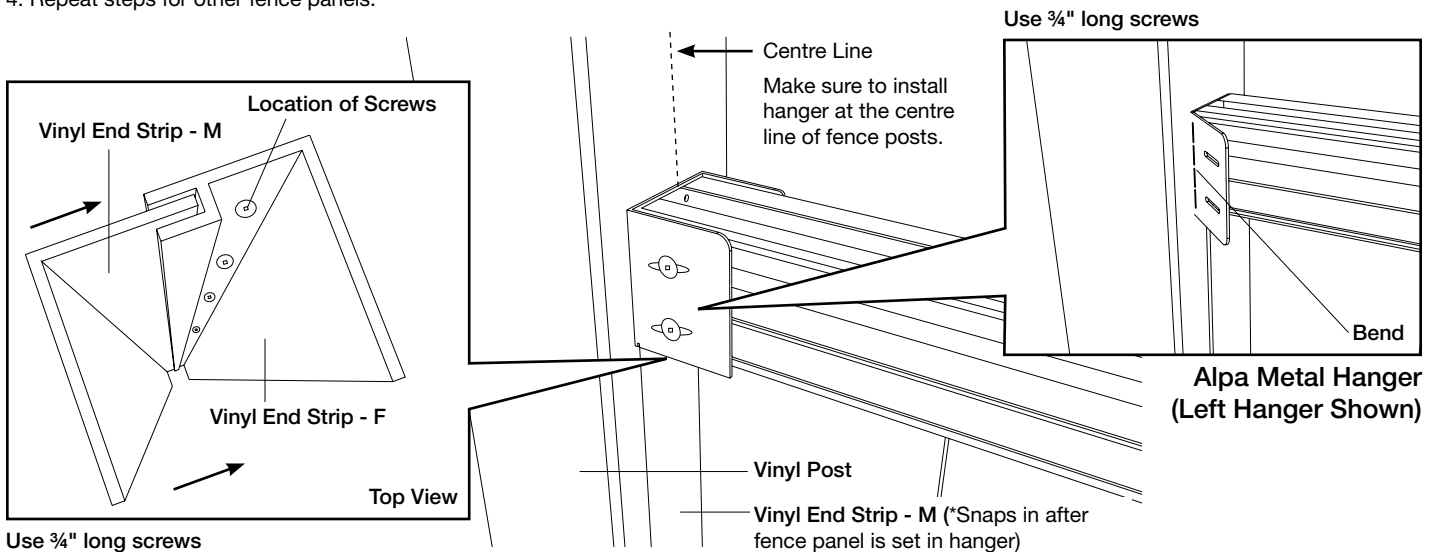
Note: Allow 1/4" extra space between post for hanger connection option.



Step 3: Mounting Fence to Post

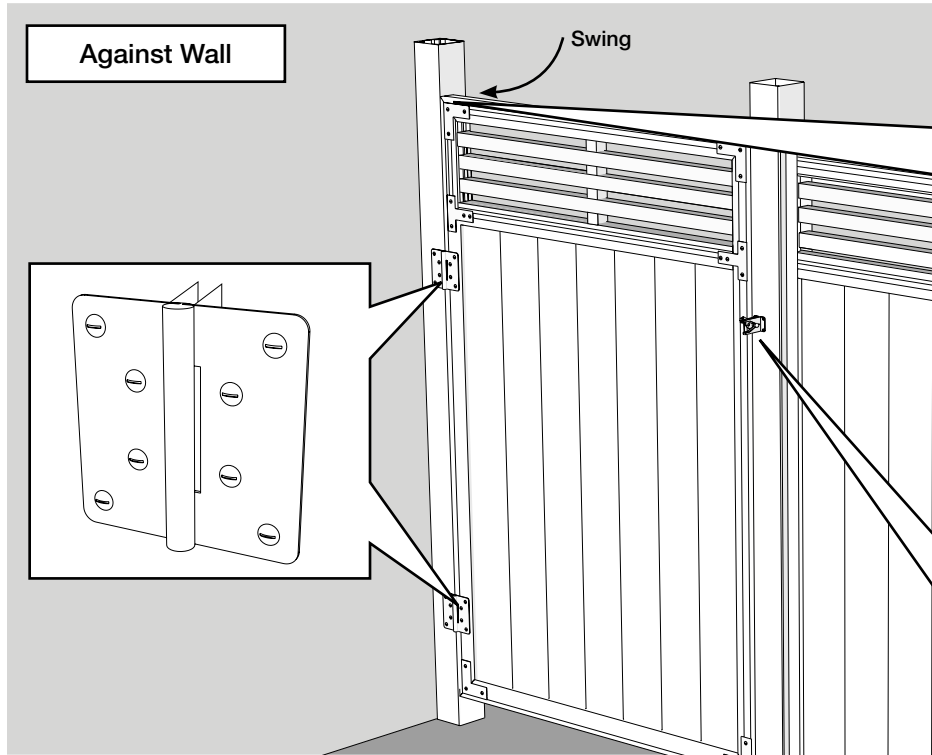
With Option 2: Alpha Fence Hanger & End Strips

1. Gently lift the full fence panel and place it in the seat of hangers. Remember that if you are using the Metal U-Fence Stiffener option to slide it in the fence panel cross bars (top or bottom) prior to connecting them to the posts (See page 2).
2. Fold the Alpha Fence hangers to the face of fence cross bars and fasten all hangers, both sides with, 3/4" long colour screws.
3. Fit the Vinyl End Strip-M in line with the Vinyl End Strip-F and pressure snap it into place in the Vinyl End Strip-F. Both sides of the Vinyl End Strips should fit snug against the fence panel board. Repeat on other side.
4. Repeat steps for other fence panels.

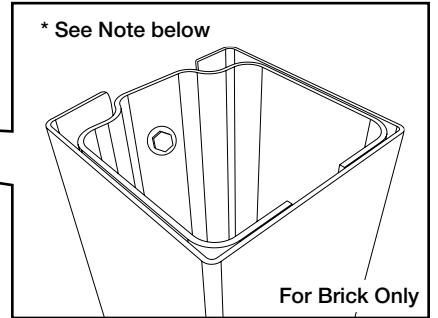


Step 4: Gate Installation

Note: Opening for gate (minimum requirement) is:
 Gate width dimension + 1 1/4" = Clear opening dimension between posts.

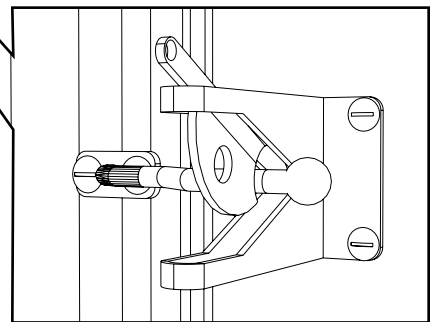


Optional
 2-39" Steel Post Insert (side house mount)



* Note: Rip out back of vinyl 4 x 4 post sleeve 2 1/4" in centre of post to allow sleeve to slide over 39" steel post mounted to wall.

Recommended Use:
 3/8" x 3" minimum anchor bolt and washer to connect 39" posts to wall.



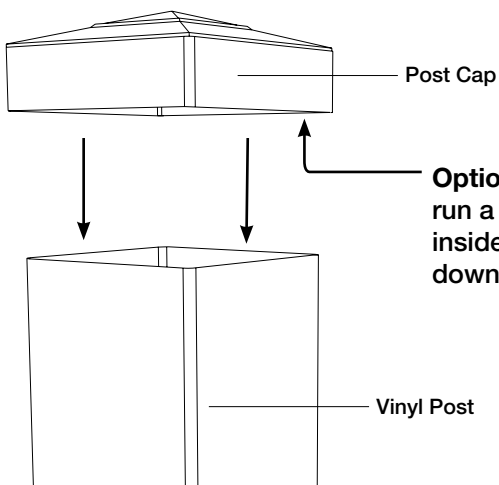
Note: Reverse door swing is optional to installation. It is recommended to have the post and hinge connection set to a non-movable support.

Consult your supplier or Alpa Outdoor Products technical support if connecting post to a stucco or siding finish wall.

Example calculation for gate opening:
 39" standard width gate + 1 1/4" (hinge + swing space) = 40 1/4" opening required between post.

Note: If facing of house is siding or stucco, insure that the 39" steel post inserts can be attached and connected to the structure, not only the facing finish of wall. Call technical support for further assistance.

Step 5: Post Cap Installation



Optional: recommended to run a bead of silicone in the inside under cap and push down over post.