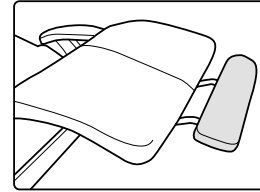


PERFECT CHAIR EXTENDING FOOTREST INSTALLATION AND OPERATING INSTRUCTIONS

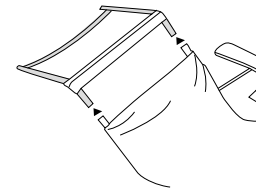
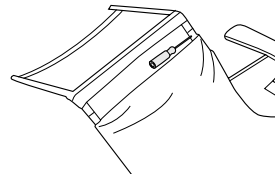
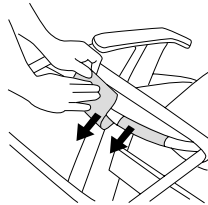
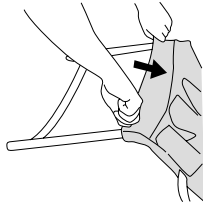
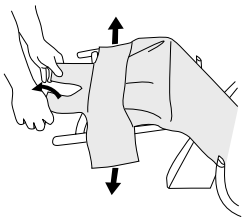
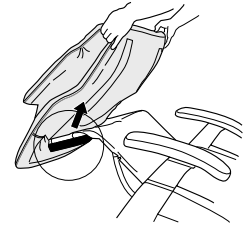
Fits PC-6 and PC-097 models. Upholstered footrest cap with mounting screws shipped separately.
Tools Required: Phillips-head screwdriver, nail clipper or other suitable instrument for cutting zip ties.



GET READY

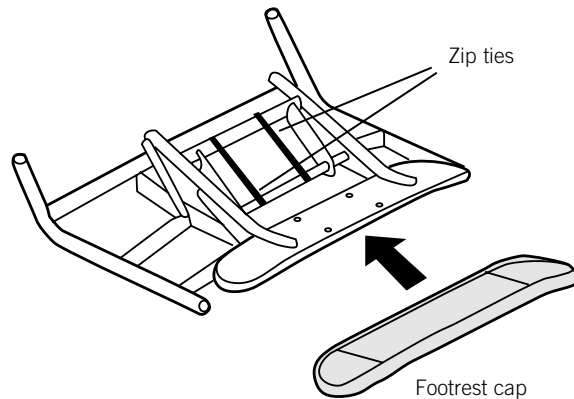
IF YOUR PERFECT CHAIR CURRENTLY HAS THE STANDARD FOOTREST AND PADS INSTALLED, FOLLOW THESE STEPS TO REMOVE IT:

1. Detach the top of the body pad from the headrest pad (the body pad is secured to the chair using hook-and-loop fasteners).
2. Slide the body pad forward and off the footrest frame to remove it from the chair.
3. Using both hands, detach the two front and two side flaps from the seat canvas (the flaps are attached using hook-and-loop fasteners).
4. Using both hands, gently push the seat canvas upward just to the top of the footrest frame, then detach the two flaps located underneath the canvas from the footrest frame.
5. Using a Phillips-head screwdriver, remove the two screws that secure each side of the footrest frame to the chair frame.
6. Pull forward on the footrest frame to detach it from the chair frame.

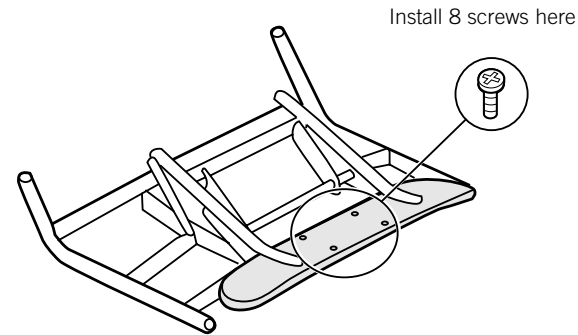


INSTALLING THE FOOTREST CAP ONTO THE FOOTREST

1. Place the extending footrest upside down (Fig. 1).
2. Using a nail clipper or other instrument suitable for cutting zip ties, cut and remove the two zip ties from the underside of the footrest (Fig. 1).
3. Slide the footrest cap underneath the wood footrest cap mounting block, with the padded side facing down.
4. Align the footrest cap screw holes with the corresponding holes in the mounting block, then secure the footrest cap to the mounting block using the eight screws (provided) (Fig. 2).



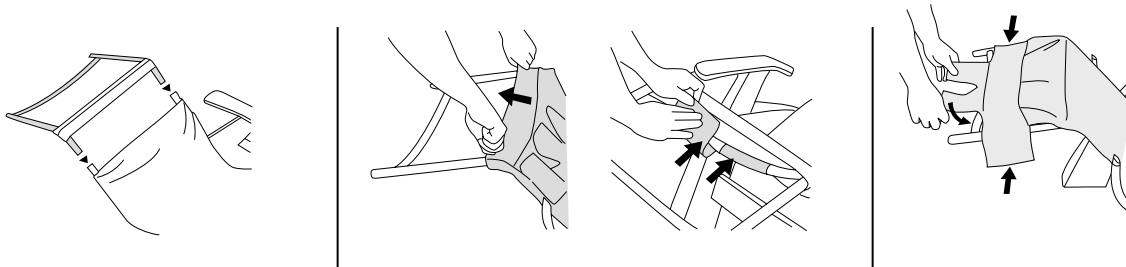
(Fig.1)



(Fig.2)

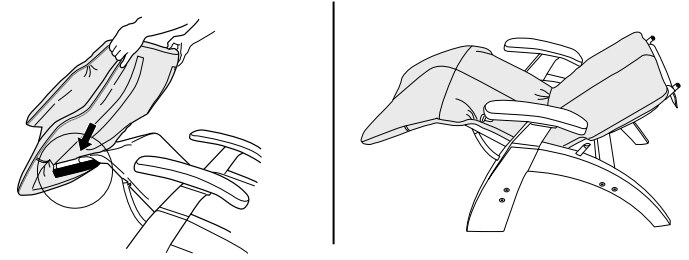
INSTALLING THE FOOTREST ONTO THE CHAIR

1. Slide the two ends of the footrest frame into the holes in the front of the chair frame. NOTE: The metal chair frame is slightly flexible. You may need to pull outward on one side of the frame to enable you to insert the footrest frame tubes into the chair frame tubes.
2. Using both hands, gently pull the seat canvas forward just to the top of the footrest frame, then secure the two flaps located underneath the canvas to the footrest frame.
3. Using both hands, continue to pull the seat canvas all the way forward to cover the footrest frame, then secure the two front and two side flaps, using the hook and loop fasteners.



ATTACH THE BODY PAD

1. Slide the body pad onto the lower part of the chair frame, making sure that the frame slides into the fabric pocket located on the bottom side of the pad.
2. Smooth the body pad into place, from the footrest toward the backrest. The pad is automatically secured using the hook and loop fasteners.
3. Attach the top of the body pad to the headrest pad, using the hook and loop fasteners.



USING THE EXTENDING FOOTREST

CAUTION: Do not deploy or retract the extending footrest while the chair is in a full upright position, as this may damage the footrest mechanism.

TO DEPLOY THE EXTENDING FOOTREST:

1. Recline the chair slightly, so that your feet are at least eight inches from the floor.
2. Pull the footrest extension handle gently outward, just past the edge of the body pad. **CAUTION:** Do not apply significant force to the handle – it should slide outward very easily.
3. Pull the handle backward (toward you) as far as it will go, to deploy the extending footrest and lock it into position. **CAUTION:** Do not force the handle backward past the point at which it stops.

TO RETRACT THE EXTENDING FOOTREST:

1. Push the footrest extension handle forward (away from you) as far as it will go, to retract the extending footrest and lock it into position.
CAUTION: Do not force the handle forward past the point at which it stops.
2. Push the footrest extension handle gently inward. **CAUTION:** Do not apply significant force to the handle – it should slide inward very easily.