

# ADJUSTABLE TENSION BACK

## Installation and Operating Instructions

---

**NOTE:** Check all parts for shipping damages before using. In case of damage, do NOT use the equipment. Contact the Equipment Supplier for further instructions.

### WARNING

DO NOT install this equipment without first reading and understanding this instruction booklet. If you are unable to understand these instructions, contact a healthcare professional, dealer or technical personnel before attempting to install this equipment - otherwise, injury or damage may occur.

### NOTICE

Information contained within this document is subject to change without notice.

### WARNING

After the adjustable tension back upholstery has been positioned to the end-user's individual needs, the adjustable belts MUST be securely fastened BEFORE applying the back upholstery cover. The Adjustable Tension Back should be checked whenever entering the wheelchair to ensure that the adjustable belts are securely fastened.

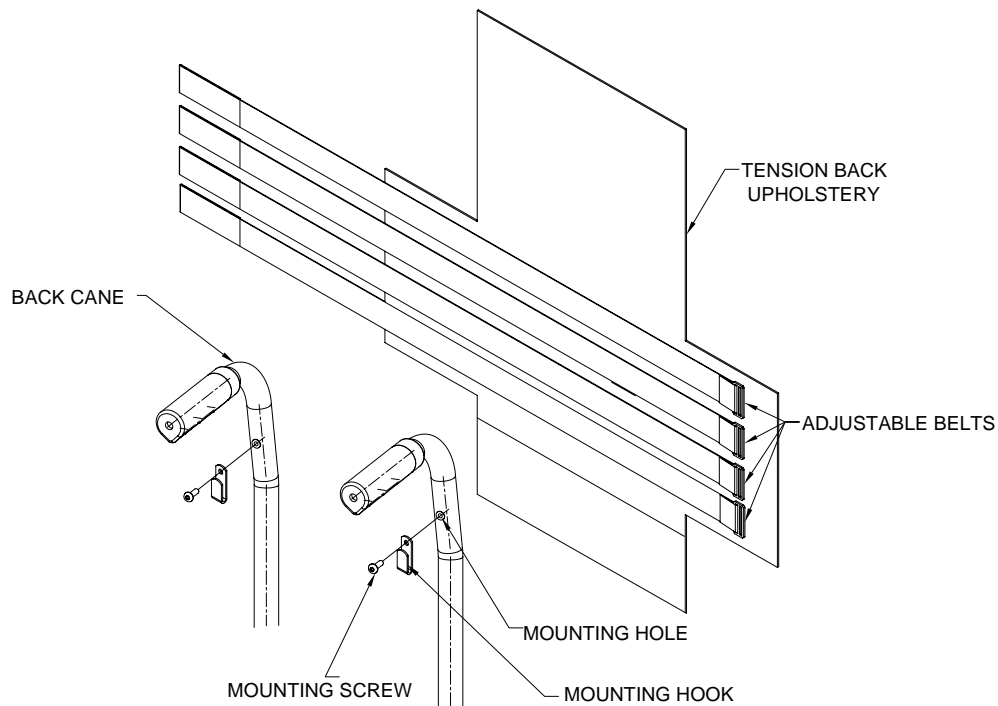


FIG. 1

## Removing/Installing Adjustable tension back (FIG.1)

### Note: To remove adjustable tension back upholstery reverse STEPS (1-5)

- Remove the existing back upholstery from the wheelchair
- Stand behind the wheelchair and perform the following:
  1. Secure the mounting hooks into the cane upper holes with supplied screws.
  2. Attach the top adjustable belt to the mounting hooks.
  3. Center tension back upholstery against back canes.
  4. Attach the back adjustable belts between the back cane and back upholstery.
  5. Adjust the tension back belts to the desired tension.

### The Adjustable tension belts

The adjustable tension belts can be adjusted at various levels of tension to accommodate individual end-users. The bottom two belts can be adjusted to support and/or assist the extensor muscles.

NOTE: Clean the upholstery with warm water and mild detergent to remove superficial soil. **DO NOT USE** fabric softeners or bleach.

## WARRANTY

This warranty is extended only to the original purchaser/user of our products.

Future Mobility Healthcare Inc. warrants its positioning products to be free from defects in materials and workmanship for three (3) years on backs, one (1) year on hardware and 90 days on covers, upon normal usage by original purchaser. If within this warranty period the product shall be proven to be defective, such product shall be repaired or replaced, at Future Mobility Healthcare Inc. discretion. Future Mobility Healthcare Inc. sole obligation and your exclusive remedy under this warranty shall be limited to the repair and/or replacement of the product or its parts. This warranty does not include any labour or shipping charges incurred in replacement part installation or repair of any product.

For warranty service, please contact the dealer from whom you purchased your Future Mobility Healthcare Inc.. In the event you do not receive satisfactory warranty service, please write directly to Future Mobility Healthcare Inc. at 3223 Orlando Drive, Mississauga, Ontario, L4V 1C5. Provide the dealer's name, address, model number, and date of purchase and indicate the nature of the defect.

DO NOT return products to Future Mobility Healthcare Inc. without our prior consent. The defective unit or parts must be returned for warranty inspection within thirty (30) days of the return authorization date. (Future Mobility Healthcare Inc. will issue a return authorization number). Please prepay all shipping charges; C.O.D. shipments will be refused.

LIMITATIONS and EXCLUSIONS: This warranty shall not apply to problems arising from normal wear or failure to adhere to the enclosed instructions. Products subjected to negligence, accident, improper usage, maintenance or storage; or products modified without Future Mobility Healthcare Inc. written consent including, but not limited to: modification through the use of any unauthorized parts or attachments; products damaged by reason or repairs made to any component without the specific consent of Future Mobility Healthcare Inc. or products repaired by anyone other than a Future Mobility Healthcare Inc. dealer. Such evaluation shall be determined by Future Mobility Healthcare Inc..

The foregoing warranty is exclusive and in lieu of all other expressed warranties. It shall not extend beyond the duration of the expressed warranty provided herein and the remedy for violations of any implied warranty shall be limited to repair or replacement of the defective product pursuant to the terms contained herein. Future Mobility Healthcare Inc. shall not be liable for any consequential or incidental damages whatsoever.

This warranty shall be extended to comply with all provincial laws and requirements.

3223 Orlando Drive  
Mississauga ON L4V 1C5  
Tel: 905-671-1661  
Fax: 905-671-3377

e-mail: [customersupport@futuremobility.ca](mailto:customersupport@futuremobility.ca)  
[www.futuremobility.ca](http://www.futuremobility.ca)

The logo for Future Mobility Healthcare Inc. features the company name in a bold, blue, sans-serif font. The word "Future" is on the top line, "Mobility" is on the second line, and "Healthcare Inc." is on the third line. A stylized blue wheel icon is positioned between "Future" and "Mobility".