

**INSTALLER:**

Leave this manual with the appliance.

**CONSUMER:**

Retain this manual for future reference.

**WARNING:** If the information in these instructions is not followed exactly a fire or explosion may result causing property damage, personal injury or death.

**FOR YOUR SAFETY**

Do not store or use gasoline or other flammable vapours and liquids in the vicinity of this or any other appliance.

**WHAT TO DO IF YOU SMELL GAS**

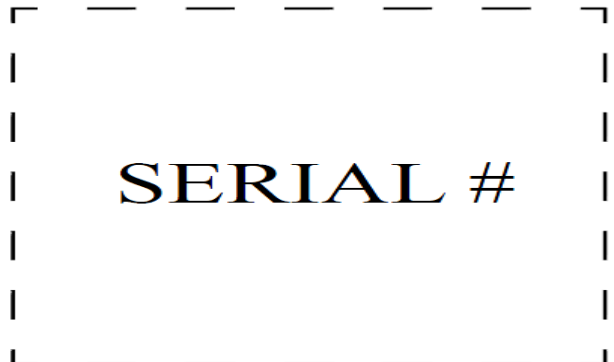
- Do not try to light any appliance.
- Do not touch any electrical Switch.
- Do not use any phone in your building.
- Immediately call your gas supplier from a neighbour's phone. Follow the gas supplier's instructions.
- If you cannot reach your gas supplier call the fire department.

Installation and service must be performed by a qualified installer, service agency or the gas supplier.

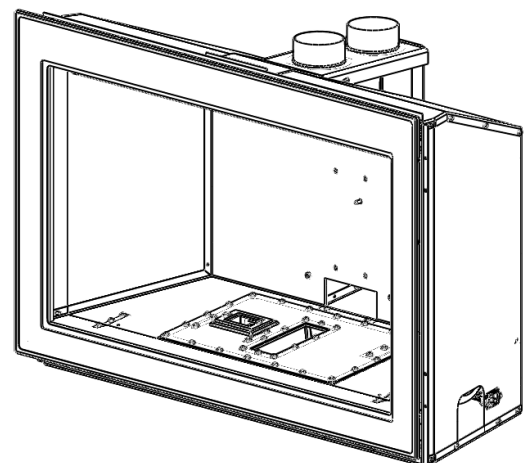
This appliance may be installed in an aftermarket permanently located, manufactured home (USA only) or mobile home, where not prohibited by local codes.

This appliance is only for use with the type of gas indicated on the rating plate. This appliance is not convertible for use with other gases unless a certified kit is used.

This appliance is suitable for installation in a bedroom or bed sitting room.



## BROADWAY & BRENTWOOD INSTALLATION AND OPERATING INSTRUCTIONS



**MODEL: BROADWAY /  
BRENTWOOD**

**SERIES: A**

**DIRECT VENT GAS INSERT**

# Important Note for the Commonwealth of Massachusetts:

From Massachusetts Rules and Regulations 248 CMR 5.08:

(a) For all side wall horizontally vented gas fuelled equipment installed in every dwelling, building or structure used in whole or in part for residential purposes, including those owned or operated by the Commonwealth and where the side wall exhaust vent termination is less than seven (7) feet above finished grade in the area of the venting, including but not limited to decks and porches, the following requirements shall be satisfied.

1. **INSTALLATION OF CARBON MONOXIDE DETECTORS.** At the time of installation of the side wall horizontal vented gas fuelled equipment, the installing plumber or gas fitter shall observe that a hard wired carbon monoxide detector with an alarm and battery back-up is installed on the floor level where the gas equipment is to be installed, in addition, the installing plumber or gas fitter shall observe that a battery operated or hard-wired carbon monoxide detector with an alarm is installed on each additional level of the dwelling, building or structure served by the side wall horizontal vented gas fuelled equipment. It shall be the responsibility of the property owner to secure the services of qualified licensed professionals for the installation of hard-wired carbon monoxide detectors.

a. In the event that the side wall horizontally vented gas fuelled equipment is installed in a crawl space or an attic, the hard-wired carbon monoxide detector with alarm and battery back-up may be installed on the next adjacent floor level.

b. In the event that the requirements of this subdivision cannot be met at the time of completion of installation, the owner shall have a period of thirty (30) days to comply with the above requirements; provided, however, that during said thirty (30) day period, a battery operated carbon monoxide detector with an alarm shall be installed.

2. **APPROVED CARBON MONOXIDE DETECTORS.** Each carbon monoxide detector as required in accordance with the above provisions shall comply with NFPA 720 and be ANSI/UL 2034 listed as IAS certified.

3. **SIGNAGE.** A metal or plastic identification plate shall be permanently mounted to the exterior of the building at a minimum height of eight (8) feet above grade directly in line with the exhaust vent terminal for the horizontally vented gas fuelled heating appliance or equipment. The sign shall read, in print size no less than one-half (1/2) inch in size, "GAS VENT DIRECTLY BELOW. KEEP CLEAR OF ALL OBSTRUCTIONS".

4. **INSPECTION.** The state or local gas inspector of the side wall horizontally vented gas fuelled equipment shall not approve the installation unless, upon inspection, the inspector observes carbon monoxide detectors and signage installed in accordance with the provisions of 248 CMR 5.089(2)(a) 1 through 4.

(b) **EXEMPTIONS.** The following equipment is exempt from 248 CMR 5.089(2)(a) 1 through 4.

1. The equipment listed in Chapter 10 entitled "Equipment Not Required To Be Vented" in the most current edition of NFPA 54 as adopted by the Board; and
2. Product Approved side wall horizontal vented gas fuelled equipment installed in a room or structure separate from the dwelling, building or structure used in whole or in part for residential purposes.

(c) **MANUFACTURER REQUIREMENTS – GAS EQUIPMENT VENTING SYSTEM PROVIDED.** When the manufacturer of Product Approved side wall horizontally vented gas equipment provides a venting system design or venting system components with the equipment, the instructions provided by the manufacturer for installation of the equipment and the venting system shall include:

1. Detailed instructions for the installation of the venting system design or the venting system components; and
2. A complete parts list for the venting system design or venting system.

(d) **MANUFACTURER REQUIREMENTS – GAS EQUIPMENT VENTING SYSTEM NOT PROVIDED.** When the manufacturer of a Product Approved side wall horizontally vented gas fuelled equipment does not provide the parts for venting the fuel gases, but identifies "special venting systems", the following requirements shall be satisfied by the manufacturer.

1. The referenced "special venting system" instructions shall be included with the appliance or equipment installation instructions; and
2. The "special venting systems" shall be Product Approved by the Board, and the instructions for that system shall include a parts list and detailed installation instructions.

(e) A copy of all installation instructions for all Product Approved side wall horizontally vented gas fuelled equipment, all venting instructions, all parts lists for venting instructions, and/or all venting design instructions shall remain with the appliance or equipment at the completion of the installation.

# Table Of Contents

Caution.....	4
Safety.....	5
<b>Owners Information</b>	
First Fire.....	6
Remote control.....	7
Maintenance.....	13
Lighting Instructions.....	14
<b>Installer information</b>	
Fireplace Dimensions.....	15
Existing Fireplace Preparation.....	16
Clearances to Combustibles.....	17
Surround Installation.....	18
Venting.....	20
Plumbing and Electrical.....	21
Gas Supply.....	22
Gas Pressure Check / Output / Efficiency.....	22
Gas Pressure Testing Procedure.....	23
Pilot Adjustment.....	23
Propane Conversion.....	24
Door Installation / Removal.....	25
Fan Installation/ Removal.....	25
Panel Installation/Removal.....	26
Log Burner Kit Installation/Removal.....	27
Log Set Installation/Removal.....	28
Glass Burner Kit Installation/Removal.....	29
Replacement Parts / Kits List.....	30
Wiring Diagram.....	31
Notes.....	32
Broadway Rating Label.....	33
Brentwood Rating Label.....	34

# Caution

**FOR YOUR SAFETY** - Do not install or operate your Pacific Energy appliance without first reading and understanding this manual. Any installation or operational deviation from the following instructions voids the Pacific Energy Warranty and may prove hazardous.

This appliance and its individual shut off valve must be disconnected from gas supply piping system during any pressure testing of that system at test pressures in excess of 1/2 psig (3.5 kPa).

This appliance must be isolated from the gas supply piping system by closing its individual manual shut off valve during any pressure testing of the gas supply piping system at test pressures equal to or less than 1/2 psig (3.5 kPa).

Do not use the fireplace if any part has been under water. Immediately call a qualified service technician to inspect the fireplace and to replace any part of the control system and any gas control which has been under water.

This unit must be installed with a Burner Set, Panel Set, and Surround Kit component.

**This fireplace is equipped with a micro mesh safety screen for your protection and must be installed with the unit. Removal of the safety screen will cause the fireplace to become a burn hazard.**



# Safety

- Due to high temperatures, this gas appliance should be located out of traffic and away from furniture and draperies.
- Children and adults should be alerted to the hazards of high surface temperatures and should stay away to avoid burns or clothing ignition.
- Young children should be carefully supervised when they are in the same room as the appliance. Toddlers, young children and others may be susceptible to accidental contact burns. A physical barrier is recommended if there are at risk individuals in the house. To restrict access to a fireplace or stove, install an adjustable safety gate to keep toddlers, young children and other at risk individuals out of the room and away from hot surfaces.
- Clothing or other flammable material should not be placed on or near the appliance.
- A barrier designed to reduce the risk of burns from the hot viewing glass is provided with the Surround Kit component and shall be installed.
- If the barrier becomes damaged, the barrier shall be replaced with the manufacturers barrier for this appliance.
- Any grill, panel or door removed for servicing the unit must be replaced prior to operating.
- Installation and repair should be done by a qualified service person. The appliance should be inspected before use and at least annually by a professional service person. More frequent cleaning may be required due to excessive lint from carpeting, bedding material, etc. It is imperative that control compartments, burners and circulating air passageways of the appliance be kept clean.
- This appliance must not be connected to a chimney flue serving a separate solid fuel burning appliance.
- It is our policy that no responsibility is assumed by the Company or by any of its employees or representatives for any damages caused by an inoperable, inadequate, or unsafe condition which is the result, either directly or indirectly, of any improper operation or installation procedures.

## OWNER'S INFORMATION

Congratulations on your purchase of a Pacific Energy Gas Appliance.

Your fireplace has been professionally installed by:

Dealer name: \_\_\_\_\_

Phone Number: \_\_\_\_\_

If you discover any problems with your gas appliance contact your dealer immediately to have the unit repaired.

Caution: Do not attempt to repair the fireplace because you may cause injury to yourself or others, and risk causing damage to the unit.

Before operating your appliance carefully read this manual and pay close attention to all Safety Warnings. The manual contains important information on the unit's safe operation and maintenance.

## First Fire

When lit for the first time, the fireplace will emit a slight odor for a couple of hours. This is due to the curing of paints, sealants and lubricants used in the manufacturing process. This condition is temporary. Open doors and windows to ventilate area. Odor caused by the curing process may cause discomfort to some individuals.

It is normal for fireplaces fabricated of steel to give off some expansion and/or contraction noises during the start up or cool down cycle. Similar noises are found with your furnace heat exchanger or cook stove oven.

## System Description

The Proflame Remote Control System consists of two elements:

1. Proflame Transmitter.
2. Proflame Integrated Fireplace Control (IFC) board and a wiring harness to connect the IFC to the gas valve and stepper motor.

## Transmitter (Remote Control with LCD Display)

The Proflame Transmitter uses a streamline design with a simple button layout and informative LCD display (Fig. 1). The transmitter is powered by 3 AAA type batteries. A Mode key is provided to Index between the features and a Thermostat key is used to turn on/off or index through thermostat functions (Fig. 1 & 2).



Figure 1: Proflame Transmitter

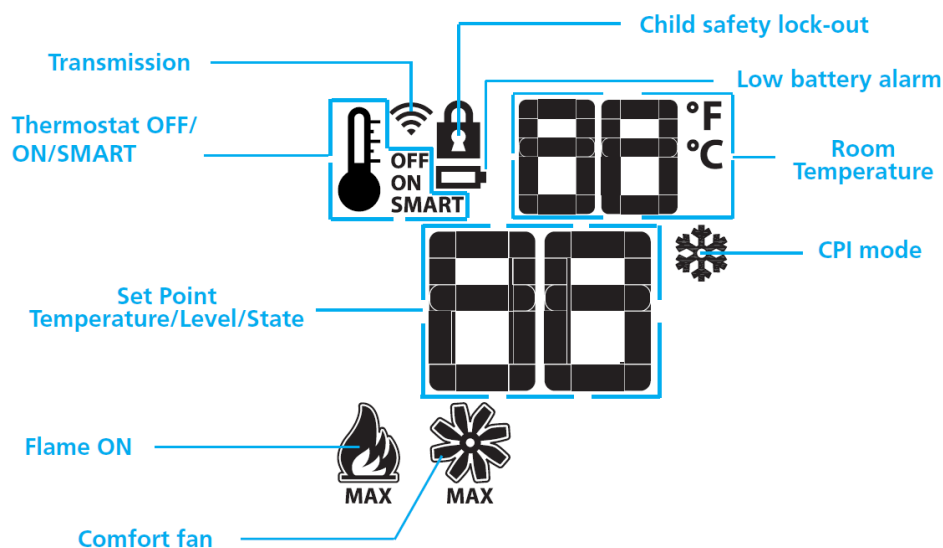


Figure 2: Transmitter LCD display

## IFC Module

The Proflame 2 Integrated Fireplace Control (IFC) board is a device that allows the automatic ignition and pilot flame supervision, to command the functions of a hearth appliance. It is configured to control the ON/OFF main burner operation, giving the choice of both IPI (intermittent pilot ignition), and CPI (continuous pilot ignition) modes.

The Proflame 2 IFC board controls and connects directly to the pilot assembly and an automatic valve of the Proflame 880, 886 and 885 families using low electric power.

The IFC Board can be powered by an AC and battery pack for back up (ATMO Systems only). The Proflame 2 offers the added ability to control the comfort fan speed from OFF through six (6) speeds, a remotely actuated auxiliary outlet and a dimmable light outlet. The external batteries can provide DC power to the IFC allowing the batteries to be used only when line power is interrupted or lost.

## OPERATING PROCEDURE

### Initializing the System for the first time

Install the 4 AA batteries into the battery box. Note the polarity of the battery and insert into the battery box as indicated on the Battery cover (+/-). Set the main ON/OFF and the CPI/IPI switch in the closed position. Press the program button on the IFC module. The IFC will “beep” three (3) times to indicate that it is ready to synchronize with a Transmitter. Install the 3 AAA type batteries in the battery bay, located on the base of the Transmitter. With the batteries installed in the Transmitter, push the ON button. The Receiver will “beep” four times to indicate the Transmitter’s command is accepted. If a second Transmitter must be registered it can be turned ON. The receiver will beep again four (4) times and exit the synchronization phase. If only one transmitter is used, then press again the button program to exit the synchronization phase.

The system is now initialized.



### Temperature indication Display

With the system in the “OFF” position, press the Thermostat Key and the Mode Key at the same time. Look at the LCD screen on the transmitter to verify that a C or F is visible to the right of the Room Temperature display. (Fig. 3 & 4)

### Turn on the Appliance

First close the main ON/OFF switch on the wirings. With the system OFF, press the ON/OFF Key on the Transmitter. The Transmitter display will show all active Icons on the screen. At the same time IFC will be commanded to start the ignition process. Once the pilot flame is proven the IFC board will open the main valve outlet and the appliance main burner will also ignite. A single “beep” from the IFC module will confirm reception of the command.

### Turn off the Appliance

With the system ON, press the ON/OFF Key on the Transmitter. The Transmitter LCD display will only show the room temperature. At the same time the IFC will be commanded to turn off the burner. Depending on the system mode (IPI or CPI) the pilot may shut off (IPI) or remain lit (CPI) and the appliance burner turns OFF. A single “beep” from the Receiver confirms reception of the command.

### Manual Bypass of the Remote System

If the batteries of the receiver or transmitter are low or depleted, the appliance can be turned off manually using switch located on battery box. This will bypass the remote control feature of the system.

### Key Lock

This function will lock the keys to avoid unsupervised operation.

To activate this function, press the MODE and UP keys at the same time (fig.5).

To de-activate this function, press the MODE and UP keys at the same time.

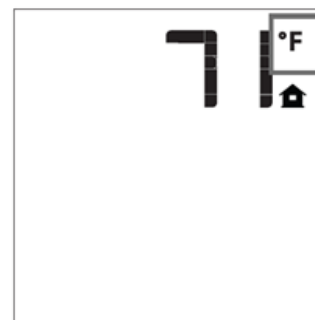


Figure 3: Display in Fahrenheit



Figure 4: Display in Celsius

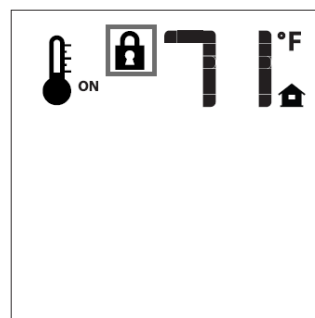
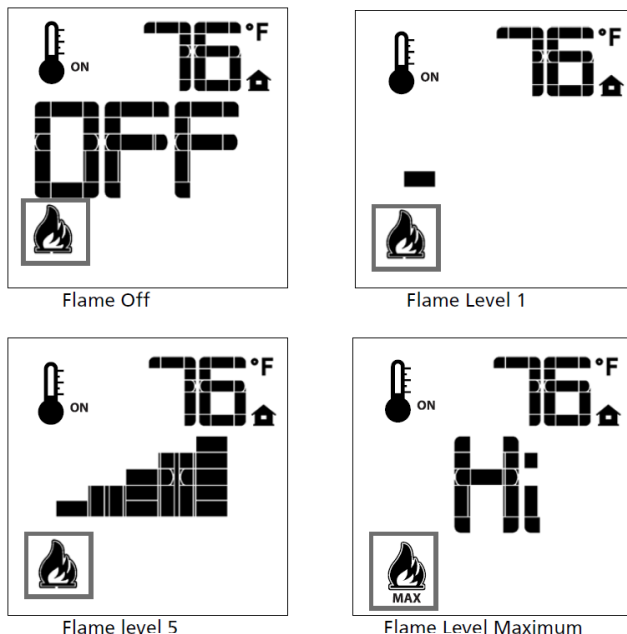


Figure 5

**Remote Flame Control**

The Proflame has six (6) flame levels. With the system on, and the flame level at the maximum in the appliance, pressing the down arrow key once will reduce the flame height by one step until the flame is turned off.

The Up Arrow Key will increase the flame height each time it is pressed. If the Up Arrow Key is pressed while the system is on but the flame is off, the flame will come on in the high position. (Fig. 6) A single “beep” will confirm reception of the command.

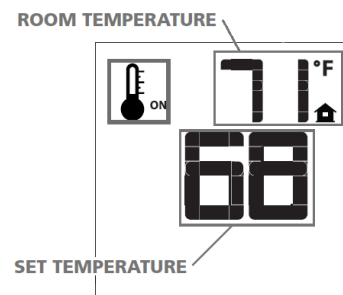


**Figure 6:**

**ROOM THERMOSTAT (Transmitter Operation)**

The Remote Control can operate as a room thermostat. The thermostat can be set to a desired temperature to control the comfort level in a room.

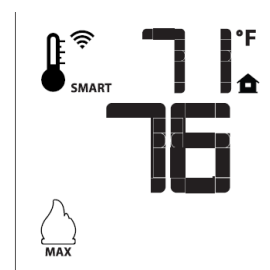
To activate this function, press the Thermostat key (Fig. 1). The LCD display on the transmitter will change to show that the room thermostat is “ON” and the set temperature is now displayed (Fig.7). To adjust the set point, press the up or down arrow keys until the desired set point temperature is displayed on the LCD screen of the transmitter.



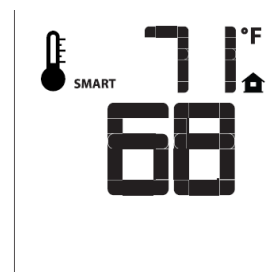
**Figure 7**

**Smart Thermostat (Transmitter Operation)**

The Smart Thermostat function adjusts the flame height in accordance to the difference between the set point and the room temperatures. As the room temperature gets closer to the set point the Smart Function will modulate the flame down. If the room temperature is cool the Smart function will modulate the flame up. To activate this function, press the THERMOSTAT key (Fig. 1) until the word "SMART" appears to the right of the temperature bulb graphic (Fig. 8). To adjust the set point, press the up or down arrow keys until the desired set point temperature is displayed on the LCD screen of the transmitter (Fig. 9).



**Figure 8: Smart Flam Function**



**Figure 9**

### Comfort Fan Speed Control

If the appliance is equipped with a hot air circulating fan, the speed of the fan can be controlled by the Proflame system. The fan speed can be adjusted through six (6) speeds. To activate this function use the Mode Key (fig.1) to index the fan control icon (Fig. 10). Use the Up/Down Arrow Keys (Fig.1) to turn on, off or adjust the fan speed (fig. 10). A single “beep” will confirm reception of the command.

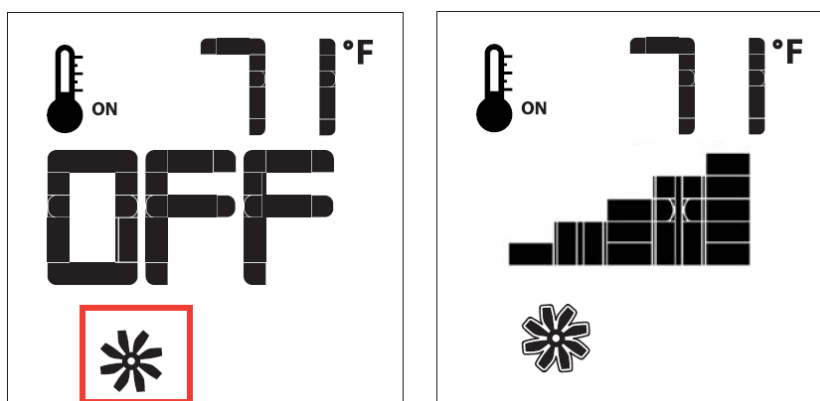


Figure 10: Fan Control

### Continuous Pilot/Intermittent Pilot (CPI/IPI) selection

With the system in "OFF" position press the Mode Key (fig. 1) to index to the CPI mode icon (fig.11).

Pressing the Up Arrow Key will activate the Continuous Pilot Ignition mode (CPI). Pressing the Down Arrow Key will return to IPI. A single “beep” will confirm the reception of the command.

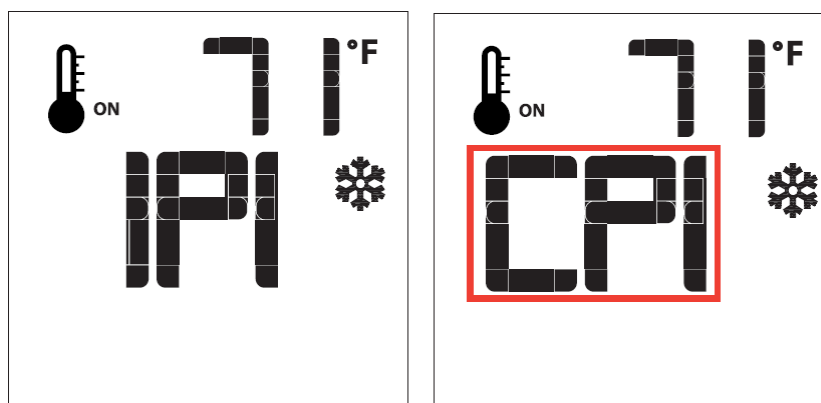


Figure 11: CPI/IPI Selection

## Low Battery Power Detection

### Transmitter

The life span of the remote control batteries depends on various factors: quality of the batteries used, the number of ignitions of the appliance, the number of changes to the room thermostat set point, etc.

When the transmitter batteries are low, an Icon will appear on the LCD display of the transmitter (Fig. 12) before all battery power is lost. When the batteries are replaced this Icon will disappear.

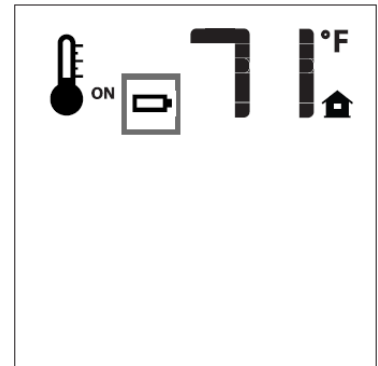


Figure 12

### Receiver

The life span of the IFC batteries depends on various factors: quality of the batteries used, the number of ignitions of the appliance, the number of changes to the room thermostat set point, etc.

When the IFC batteries are low, a "double-beep" will be emitted from the IFC board when it receives a command from the transmitter. This is an alert for a low battery condition for the IFC board. When the batteries are replaced the "beep" will be emitted from the IFC board when a key is pressed (See Initialization of The System).

## Warnings and Cautions

### WARNING

#### Fire Hazard. Can cause severe injury or death

The Receiver causes ignition of the appliance. The appliance can turn on suddenly. Keep away from the appliance burner when operating the remote system or activating manual bypass of the remote system.

### WARNING

#### Shock Hazard. Can cause severe injury or death

This device is powered by line voltage. Do not try to repair this device. In no way is the enclosure to be tampered with or opened. Disconnect from line voltage before performing any maintenance.

**Turn off gas and electrical power supply (if applicable) and allow ample time for unit to cool before servicing appliance. It is recommended that the fireplace and its venting should be inspected at least once a year by a qualified service person.**

## **Glass Door:**

**Warning:** Do not operate fireplace with glass door removed, cracked or broken. Replacement of the glass door should be done by a licensed or qualified service person.

Do not strike or otherwise impact the glass in any way that may cause it to break. If the glass becomes cracked or broken it must be replaced before using the fireplace. Replacement door can be obtained from your nearest Pacific Energy dealer. **Do not substitute with any other type.**

To remove broken glass, remove Door as noted in "Door Removal" section.

## **Annual Inspection:**

- a) Remove glass door and decorative media (such as logs and rocks). Inspect decorative media and burner assemblies for soot buildup. If excessive buildup of soot is present, have a qualified service person inspect and adjust unit for proper combustion. Clean burners with a brush or vacuum cleaner, paying close attention to burner ports.
- b) Check the pilot system for proper flame size and operation. Clean pilot free of soot, dust or any other deposits.
- c) Check that the vent pipe and vent terminal are open and free from blockage or debris. If the venting is disassembled for cleaning, it must be properly assembled and re-sealed. Refer to VENTING section for proper procedure.
- d) Check glass panel gasket, replace if necessary. It is important that the glass seal be maintained in good condition.
- e) Check and replace batteries as needed.

**Note:** The appliance area must be kept clear and free from combustible materials, gasoline and other flammable vapors and liquids.

## **Periodically:**

- a) Viewing glass may be cleaned as necessary with fireplace glass cleaner.
- b) Exterior finish may be cleaned with mild soap and water.

## **CAUTION:**

Do not use abrasive cleaners on glass or any other part of the fireplace.

Do not clean glass when hot.

## FOR YOUR SAFETY READ BEFORE LIGHTING

**WARNING:** If you do not follow these instructions exactly, a fire or explosion may result causing property damage, personal injury or loss of life.

- A. This appliance is equipped with an ignition device which automatically lights the pilot. Do not try to light the pilot by hand.
- B. BEFORE LIGHTING smell all around the appliance area for gas. Be sure to smell next to the floor because some gas is heavier than air and will settle on the floor.
- WHAT TO DO IF YOU SMELL GAS:**
- Do not try to light any appliance.
  - Do not touch any electric switch; do not use any phone in your building.

- Immediately call your gas supplier from a neighbour's phone. Follow the gas supplier's instructions.
  - If you cannot reach your gas supplier, call the fire department.
- C. Use only your hand to push in or turn the gas control knob. Never use tools. If the knob will not push in or turn by hand, don't try to repair it, call a qualified service technician. Force or attempted repair may result in a fire or explosion.
- D. Do not use this appliance if any part has been under water. Immediately call a qualified service technician to inspect the appliance & to replace any part of the control system & any gas control which has been under water.

## LIGHTING INSTRUCTIONS

1. STOP! Read the safety information above on this label.
2. This appliance is equipped with an ignition device which automatically lights the pilot. Do not try to light the pilot by hand.
3. Push the "On/ Off" switch to turn the fireplace ON.
  - If the burner does light go to step 6.
  - If the burner does not light, complete steps 4 through 5.
  - If the burner will not light or stay lit after several tries, push the "On/ Off" switch for the fireplace to OFF, turn off all electric power

- to the fireplace and call your service technician or gas supplier.
- Note: Sufficient time must be allowed for air to escape from lines if the unit is being lit for the first time.
4. Push the "On/ Off" switch to the fireplace Off.
  5. Allow sufficient length of time (minimum 5 minutes) for any gas in the combustion chamber to escape. If you still smell gas, STOP! Follow "B" in the safety information above on this label. If you don't smell gas, go to step 3.
  6. Set fireplace to desired setting by using hand held remote.

## TO TURN OFF GAS APPLIANCE

1. Push the "on/ off" switch to the "Off" position.

2. Turn off all electric power to the appliance and remove backup batteries if service is to be performed or for extended shutdown.

Due to high surface temperatures, keep children, clothing and furniture away. Keep burner and control compartment clean. See installation and operating instructions accompanying the appliance.

A cause de la température élevée des parois, tenir éloignés les enfants, les vêtements et les meubles. Maintenir propres le brûleur et le compartiment de commande. Voir les instructions relatives à l'installation et au fonctionnement qui accompagnent l'appareil.

**CAUTION:** Hot while in operation. Do not touch. Severe burns may result. Keep children, clothing, furniture, gasoline and other liquids having flammable vapours away. Keep burner and control compartment clean. See installation and operating instructions accompanying the appliance.

**ATTENTION:** L'appareil est chaud lorsqu'il fonctionne. Ne pas toucher l'appareil. Risque de brûlures graves. Surveiller les enfants. Garder les vêtements, le meubles, l'essence ou autres liquides produisant des vapeurs inflammables loin de l'appareil. S'assurer que le brûleur et le compartiment des commandes sont propres. Voir les instructions d'installation et d'utilisation qui accompagnent l'appareil.

### Broadway:

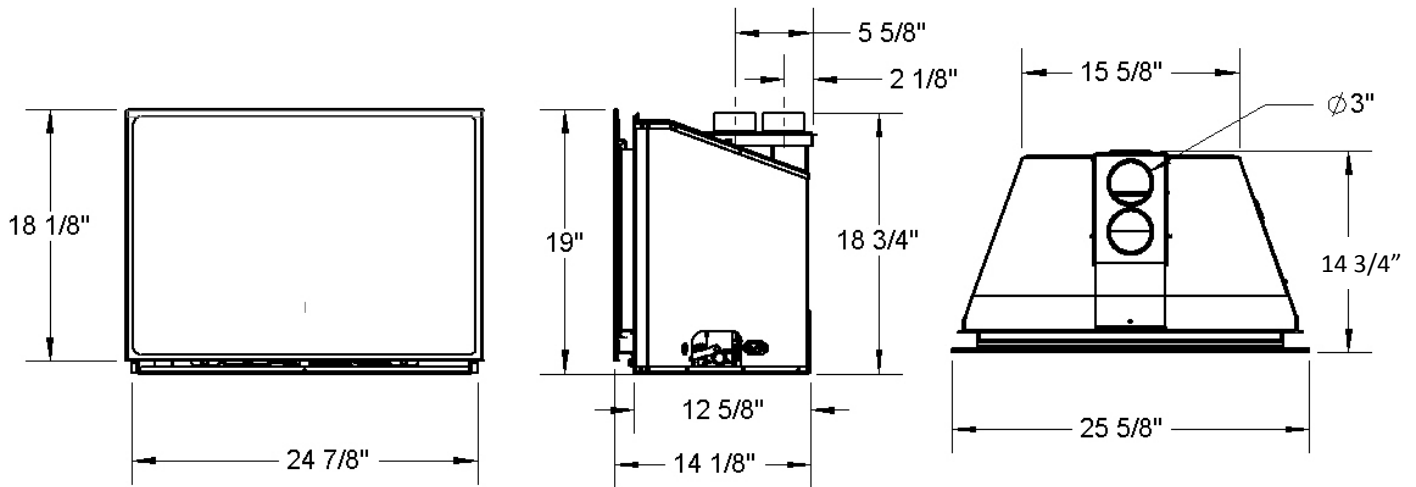


Figure 12: Broadway Dimensions

### Brentwood:

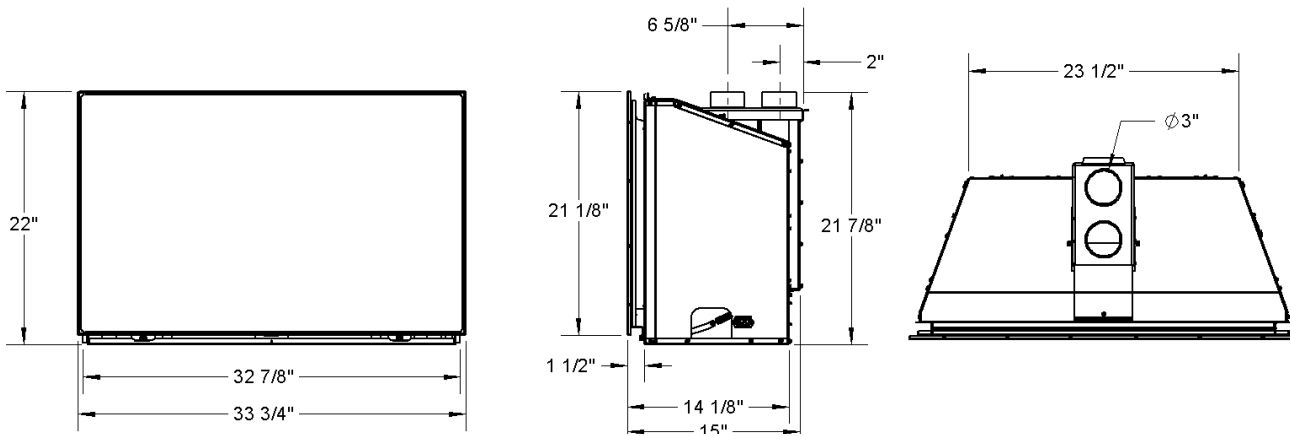


Figure 13: Brentwood Dimensions

The Broadway and Brentwood Gas inserts are certified to be installed into pre-existing approved fire place cavities. The minimum cavity requirements are listed in Figure 14 below.

Dimension	Broadway	Brentwood
A	13"	15"
B	21"	23"
C	26"	34"

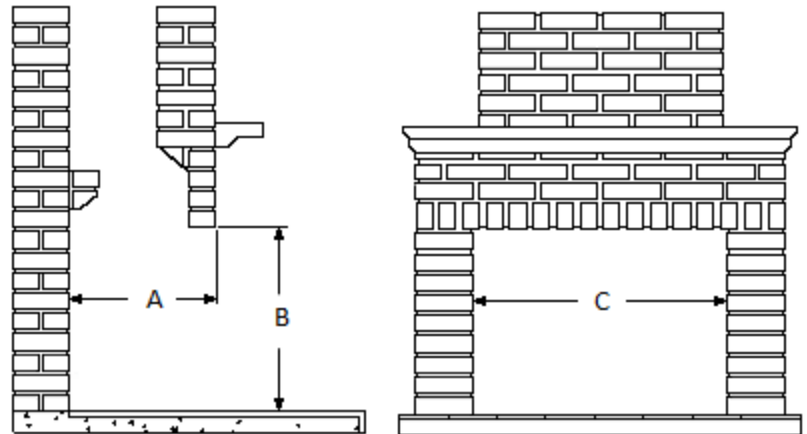


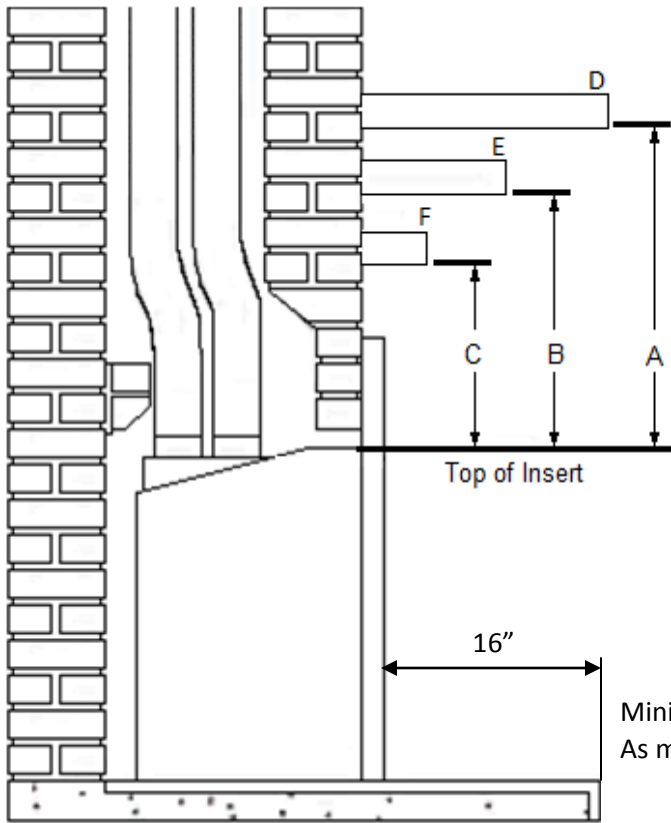
Figure 14: Cavity Dimensions

Before installing the Broadway or Brentwood inserts have the chimney swept and fireplace, including ash dumps and clean outs, cleaned to remove any creosote and soot residue that may cause odors and stains after the insert has been installed. The fireplace chimney should be in good working order and made of non-combustible material. Make sure chimney cleanouts fit properly.

When preparing an existing fireplace to install a gas insert, any modifications that will compromise the integrity of the existing fireplace are not allowed. To make way for the insert's venting the fireplace flue dampener may be blocked open or removed. Refractory, glass doors, screen rails, screen mesh and log grates can be removed from the fireplace before installing the insert. Also, smoke shelves, shields and baffles may be removed if attached by mechanical fasteners. Cutting any sheet metal parts of the fireplace, in which the gas fireplace insert is to be installed, is prohibited.

If the factory-built fireplace has no gas access hole(s) provided, an access hole of 1.5" (37.5mm) or less may be drilled through the lower sides or bottom of the firebox in a proper workmanship like manner. This access hole must be plugged with non-combustible insulation after the gas supply line has been installed.





*MANTEL CLEARANCE		
	Broadway	Brentwood
A	20 1/2"	32"
B	16"	32"
C	11"	32"
** MANTEL DEPTH		
D	12"	
E	9"	
F	6"	

Figure 15: Mantel Clearances

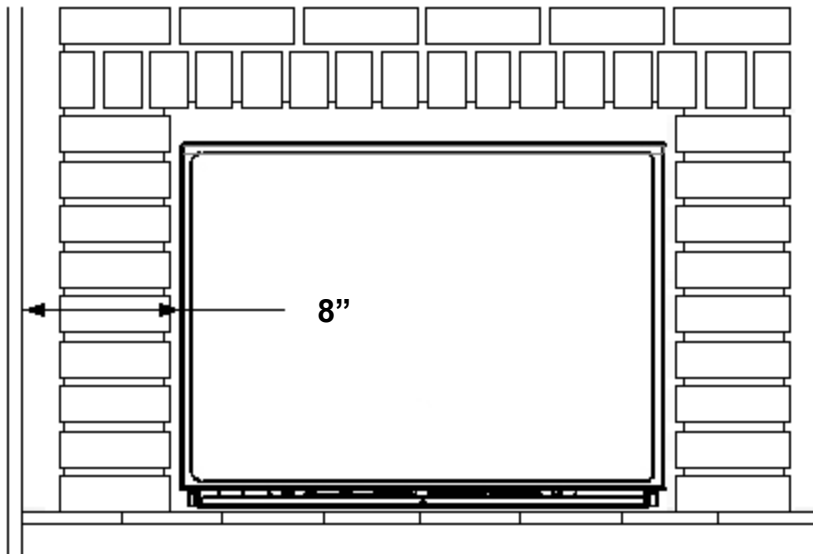
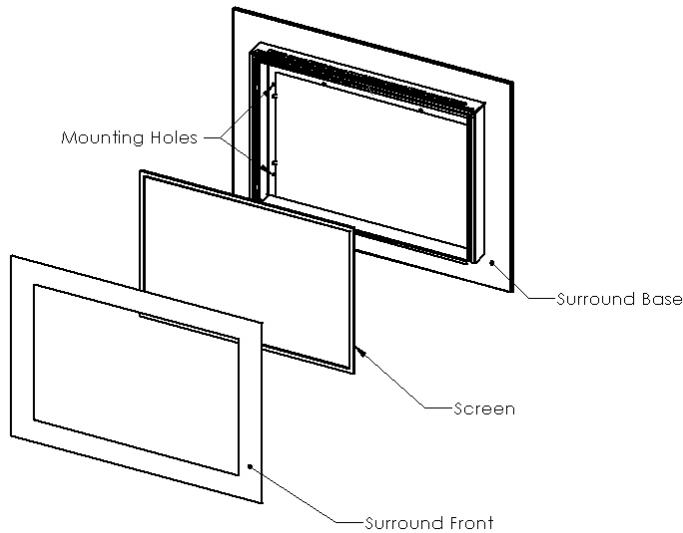
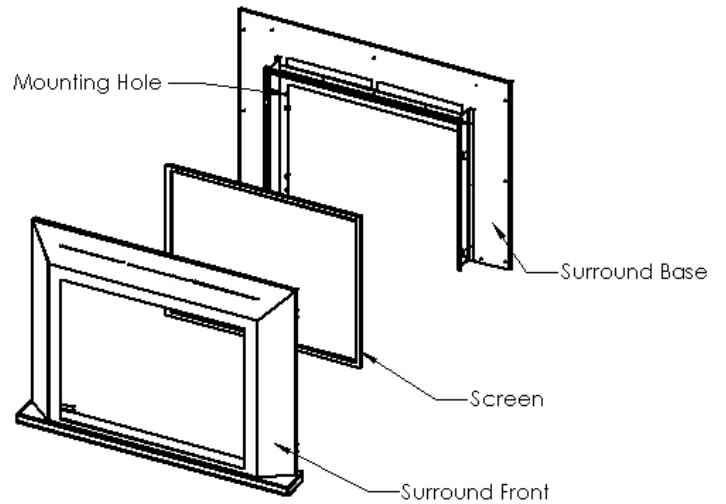


Figure 16: Sidewall Clearances



**Figure 17: Contemporary Surround**



**Figure 18: Traditional Surround**

## Installation

1. Fasten the surround base to the fireplace using supplied screws and mounting holes located along the inner edge of the base.
2. Install the safety screen by aligning it with surround base and then pressing it into place. Note: Install screen insuring the step faces inward.
3. Install the surround front by positioning it so as to clear the notches and secure by applying a downward pressure in order to engage the locking tabs.

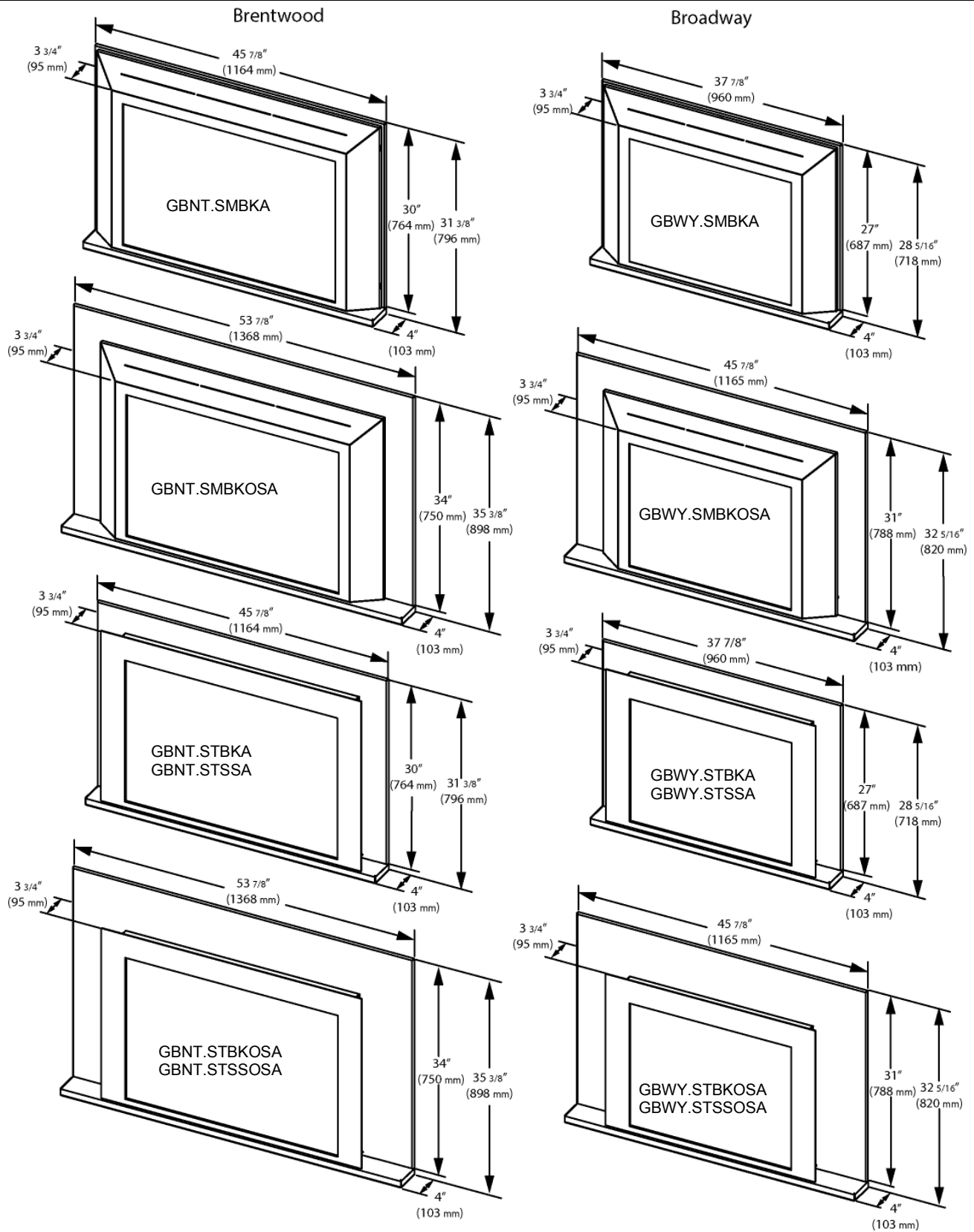


Figure 19: Surround Dimensions

**Note:** The following Simpson Duravent kits are recommended for use with this appliance.

**High-Wind**

(Broadway 46DVA-CL33)

(Brentwood 46DVA-CL34)

**Prairie Co-Linear Kit**

(Broadway 46DVA-CL33P)

(Brentwood 46DVA-CL34P)

**Only certified venting systems or components may be installed with this fireplace.**

- 1) Measure chimney height, cut flex liner (min.10') as required. Mark one pipe at both ends to identify combustion air intake pipe from flue outlet pipe.
- 2) Attach marked flex liner pipe to the intake side of vent terminal. Seal and secure with sealant and screws provided. Attach the other pipe to the outlet side of vent terminal. Seal and secure with sealant and screws provided.
- 3) Insert both flex liners from top of the chimney, down through the damper opening.
- 4) Before attaching vent terminal to top of chimney, apply a bead of caulking to top of clay liner. Slip vent terminal over liner and secure in place with lateral retaining bolts.
- 5) For larger chimneys, an optional flashing is available which may be cut and fitted to suit. The flashing attaches to the underside of the terminal with four nuts provided. Caulk the flashing in place to seal any gaps.

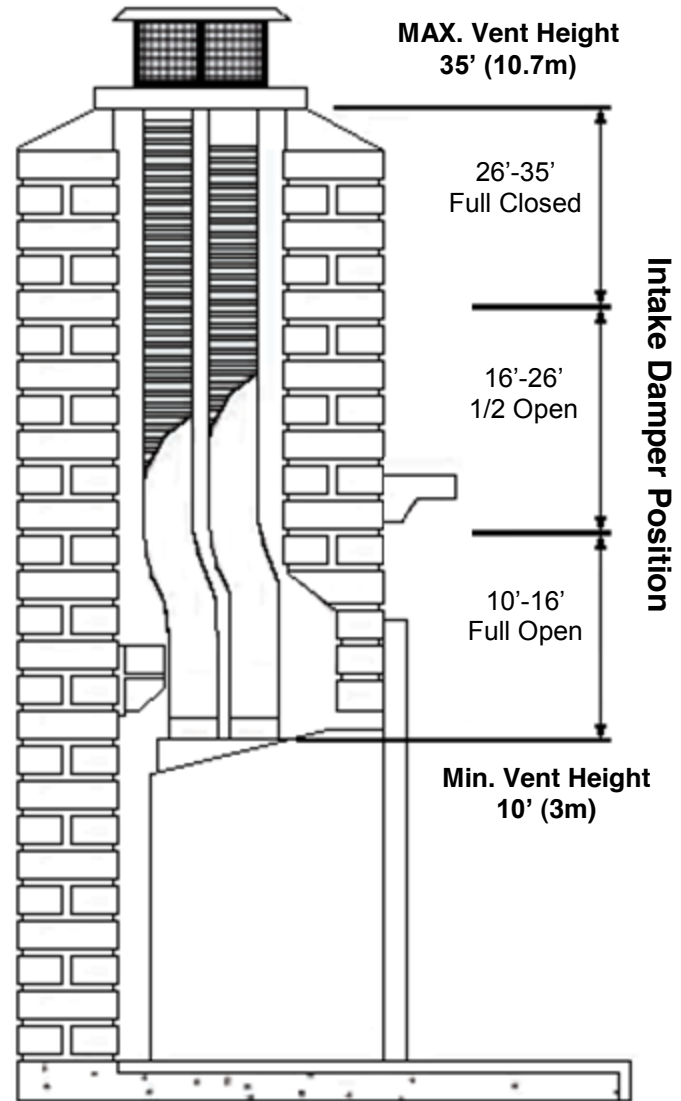


Figure 20: Venting

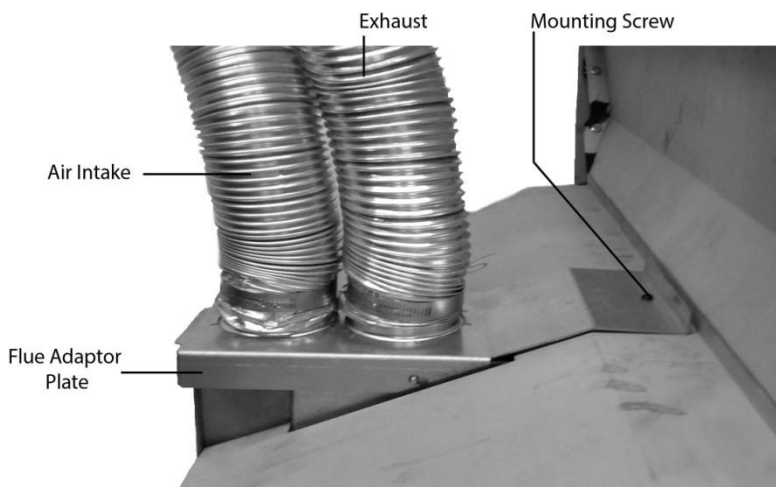


Figure 21: Flue Adaptor Plate Connections



Figure 22: High Wind Vent Terminal

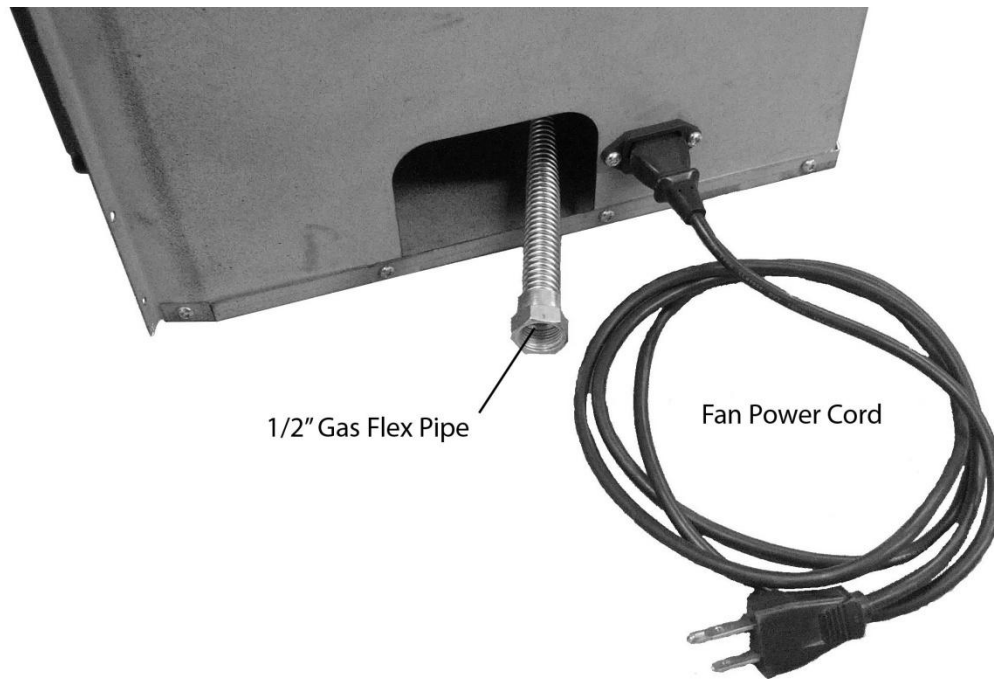


Figure 23: Gas and Electrical Connections

**Note: Installation requires that an electrical outlet be installed into existing fireplace cavity before insert is installed.**

To make the required electrical and gas connections start by positioning the gas insert within the existing fireplace. Connect the gas supply line to the 1/2" flex tubing that extends out of the unit as seen in Figure 23. Please see the gas supply section of the manual for requirements of the gas supply. Next, plug the power cord into the unit as shown in Figure 23 and plug them into the electrical outlet within the existing fireplace cavity.

**NOTE: The appliance, when installed must be electrically grounded in accordance with local codes or, in the absence of local codes, with the National Electrical Code, ANSI/NFPA 70, or the Canadian Electrical Code, CSA C22.1.**

Servicing of the appliance can be performed from the front of the unit by removing the front trim, or by removing the gas tray from the unit.

**Caution:** The gas line should be installed by a qualified service person in accordance with all building codes. This section is intended as a guide for qualified technicians installing this appliance. Consult local and/or national building codes before proceeding.

- Gas supply line connection is located on the side of the insert. Gas connection accepts a 3/8" N.P.T. fitting. Correct gas line diameter must be used to assure proper operation and pressure.
- The fireplace input rating is shown in the chart below.
- A drip leg must be installed in the gas supply line going to the gas control valve to -minimize the possibility of any loose scale or dirt within the gas supply line from entering the control valve.
- It is essential that a union or flanged connection be installed just upstream of the valve and inside the control compartment to allow for repair or replacement of the gas valve.

**Check local codes for additional requirements.**

Turn on the gas supply and check that all connections are tight and leak free.

**WARNING: The gas tray including gasket must be reinstalled after conversion/installation or servicing has been completed.**

## Gas Pressure Check / Output / Efficiency

Please refer to following page for gas pressure testing procedure.

### Gas pressure requirements

<u>Input Pressure</u>	Natural Gas	Propane
Minimum	4.0" WC	11.0" WC
Maximum	13.9" WC	13.9" WC
<u>Manifold Pressure</u>		
High	3.5" WC	10" WC
Low	1.6" WC	6.4" WC

### Broadway

<u>Gas</u>	<u>Orifice</u>	<u>Output</u>	<u>AFUE</u>
NG	1.98mm	18,000 btu/hr	76%
LP	1.25mm	17,000 btu/hr	76%

### Brentwood

<u>Gas</u>	<u>Orifice</u>	<u>Output</u>	<u>AFUE</u>
NG	2.55mm	30,000 btu/hr	75%
LP	1.50mm	26,000 btu/hr	75%

**Note:** To test the gas pressure, turn off the gas supply to the appliance before loosening test point screws.

**Verify gas pressures with the fireplace lit and at the highest setting.**

1. Remove door (Fig. 28) and locate the valve as seen in Figure 24.
2. Locate the inlet and outlet test points on the valve which can be seen in Figure 25. After locating test ports loosen the screws within the ports using a flat-tip screwdriver.
3. Attach pressure gauge to the test ports
4. Turn gas supply back on and test pressures.
5. After testing is finished turn off gas supply, remove the pressure gauges and retighten the screws in the test points.

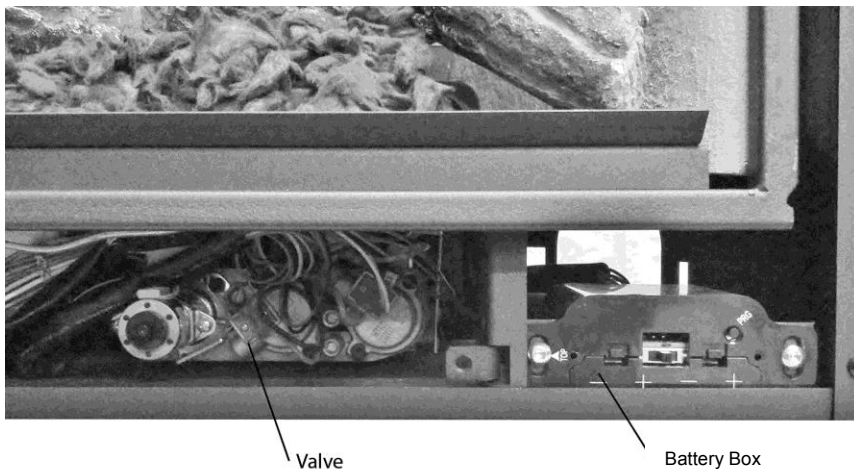


Figure 24: Valve Location

## Pilot Adjustment

The pilot flame level can be adjusted by turning the adjustment screw, using a flat-tip screwdriver, seen on the valve in Figure 25.

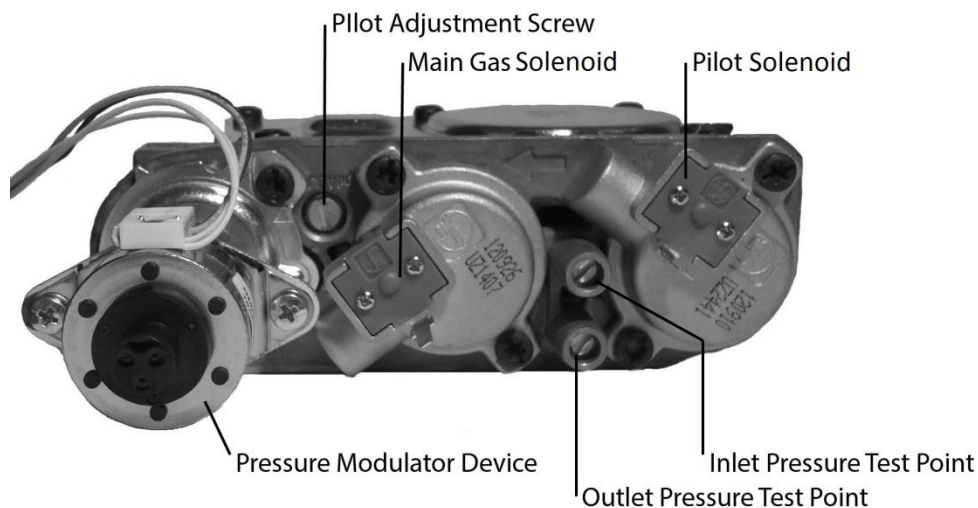


Figure 25: Valve

**Before starting the conversion make sure to shut off the gas supply to the unit and allow fireplace to cool to room temperature.**

To convert the gas fireplace insert from natural gas to propane the (GASC.LPKIT) kit is required. This kit comes with new pilot and burner orifices as well as a new pressure modulator for the valve.

To switch the pressure modulator follow the instructions that are provided with the conversion kit.

To change the orifices, remove the door, media set, and burner. Please refer to the appropriate sections of this manual and follow instructions on how to correctly remove these components.

After removing the burner access the burner orifice which is located on the bottom of the burner tray, as seen in figure 26. The orifice can be removed using a 1/2" socket. Before installing the new orifice Loctite 567 Thread Sealant needs to be applied to the threads of the new orifice to ensure a proper seal when installed.

To replace the pilot orifice, remove the pilot hood which is held in place by a spring. First remove the spring, and then remove the hood by pulling it up from the pilot bracket, seen in figure 27. To remove the existing orifice insert a 5/32" or 4mm Allen wrench into the hexagonal key-way of the orifice and rotate until free. Insert the new orifice using the same Allen wrench and tighten it until a torque of 9 lbf in (1 Nm) is achieved. Replace the pilot hood by aligning the tab on the base of the hood with the slot in the side of the pilot journal, and push the hood down, onto the pilot bracket. Replace the spring by pushing it into its seat.

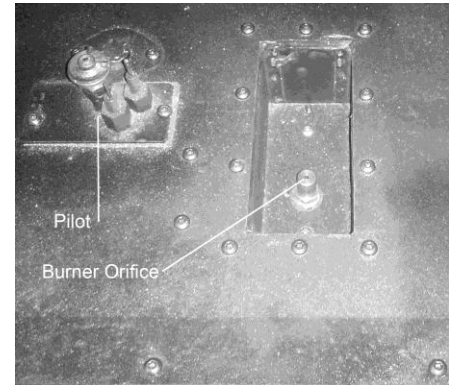


Figure 26: Burner Orifice and Pilot

Pilot orifice sizes

NG - #62  
LP - #35

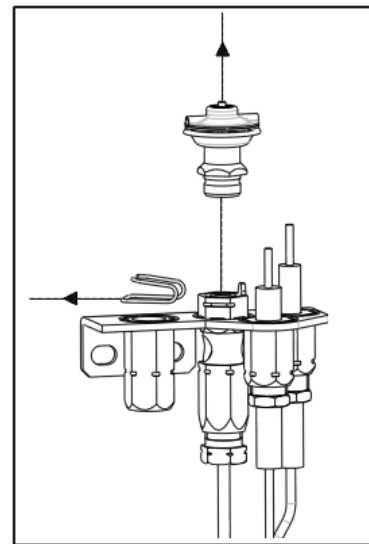


Figure 27: Pilot

VENTURI OPENING		
	Propane	Natural Gas
Broadway	OPEN	1/16"
Brentwood	OPEN	1/16"

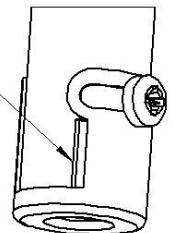






Figure 28: Door

**NOTE:** In the event that the door glass breaks, The complete door assembly must be replaced. See replacement parts list for the appropriate part number.

## Installation

1. Position the door so that the doors upper bracket is positioned overtop of the lip on top of the firebox.
2. Lower the bottom edge of the door and secure it with 1/4" bolts to the relief arms as shown in figure 28.

## Removal

1. Locate and remove the two 1/4" bolts securing the bottom of door as seen in figure 28.
2. Tilt the bottom of the door away from the appliance and lift the door off.

# Fan Removal / Installation

## Removal

1. Pull the fireplace insert out of the pre-existing fireplace cavity until you have access to the fan access panel on the back of the fireplace. Figure 29
2. Remove screws from access panel and pull fan out of unit, you will have to disconnect wires to fan before you can remove completely.

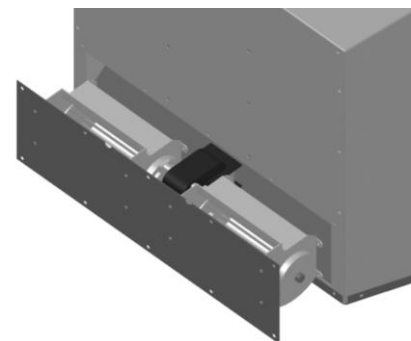


Figure 29: Fan Access Panel

## Installation

1. Connect wiring to fan and insert into the fireplace through the back of the unit.
2. Insert all screws into the fan access panel to attach the fan to the unit.
3. Push the gas insert fireplace back into the fireplace cavity.

## Installation

**NOTE: Air Deflector from burner kit needs to be installed before panels. See Burner Kit Installation.**

1. Insert back panel so that it is sitting on ledge at the back of the firebox as shown in Figure 31.
2. Insert first side panel by inserting the front edge of the panel into the lip at the front of the firebox. Then slide the back of the panel until it reaches the firebox side wall. Figure 32.
3. Repeat steps 2 for the second side panel.
4. To hold panels in place, install the baffle, from the burner kit, by resting the back flange on top of the back panel and use two screws to secure the front of the baffle to the top of the firebox, seen in Figure 33.

## Removal

1. Remove the baffle by removing screws securing the front edge of the baffle seen in Figure 33. After removing the two screws you can slide the baffle out of the fireplace.
2. Remove first side panel by pulling the back edge of panel out away from the firebox wall until there is enough room to remove the front edge of the panel from the lip at front of firebox. When you have enough room, remove panel's front edge from the firebox lip and remove from fireplace.
3. Repeat step 2 to remove second side panel.
4. Remove back panel by tilting the top forward and then pull out of fireplace.

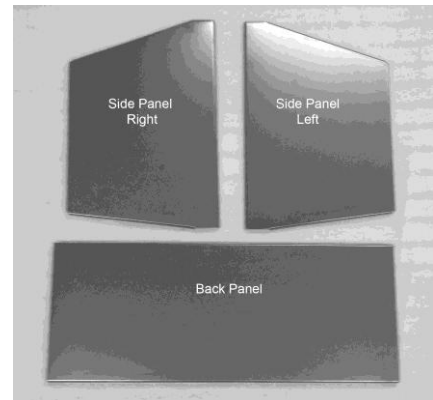


Figure 30: Panel Set



Figure 31: Back Panel

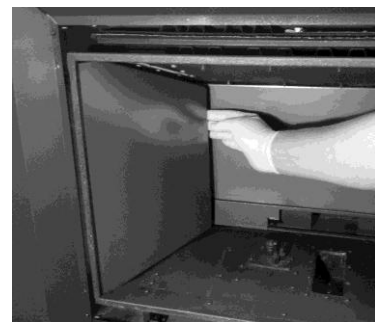


Figure 32: Side Panel



Figure 33: Baffle Mounts

### Air Deflector Installation / Removal

#### Installation

Position the air deflector in the fireplace as seen in figure 34 and secure with two screws using a screwdriver.

#### Removal

Remove the two screws seen in figure 34 using a screwdriver, and remove the air deflector from fireplace.

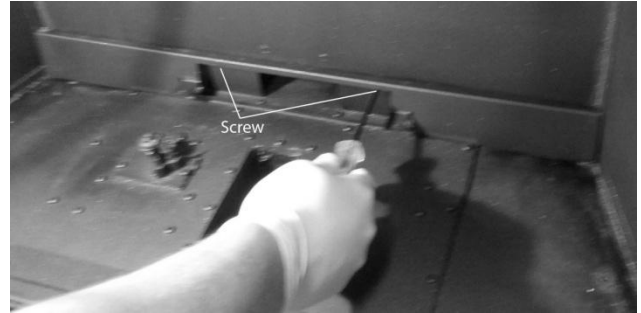


Figure 34: Air Deflector

### Burner Tray Installation / Removal

#### Installation

Place the burner tray in the fireplace and secure with 4 screws using a screwdriver, as seen in figure 35.

#### Removal

Remove the 4 screws seen in figure 35 using a screwdriver, and remove the burner tray.

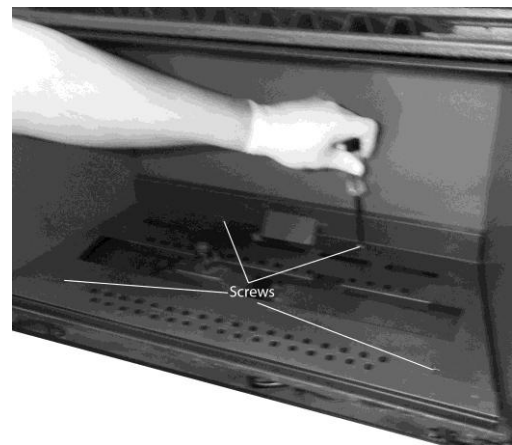


Figure 35: Burner Tray

### Burner Installation / Removal

#### Installation

Place burner in firebox so that the venturi is over top of the orifice. To secure burner insert screw using a screwdriver as seen in figure 36.

#### Removal

Remove screw seen in figure 36 and lift burner out of the unit.

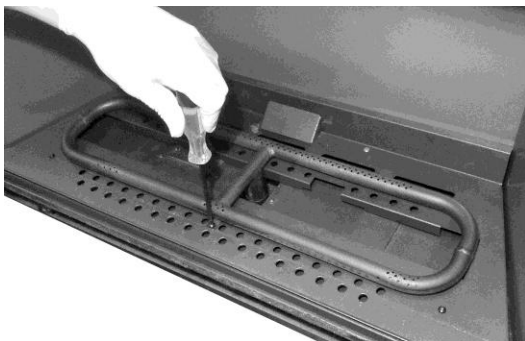


Figure 36: Burner



Figure 37: Burner Kit

## Installation

1. Position rear log against the back firebox as seen in Figure 39.
2. Position front log just behind the front burner tube as seen in Figure 40.
3. Position log 3 with the thin end of the log resting on top of the right end of the front log as seen in Figure 41.
4. Place ember chunks in front of the front log to hide the burner as seen in Figure 42.

**Note: Do Not Block Burner Ports with Embers**

## Removal

1. Remove embers from fireplace.
2. Lift the decorative log off of the front log and remove it from the firebox.
3. Lift the front log off of the burner and remove it from the firebox.
4. Lift the back log over the pilot and burner and remove from firebox.

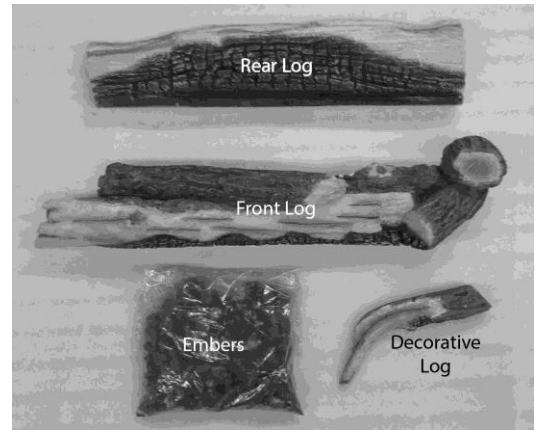


Figure 38: Log Set

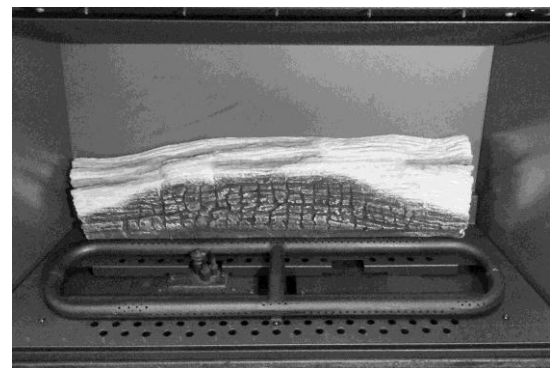


Figure 39: Rear Log Installation

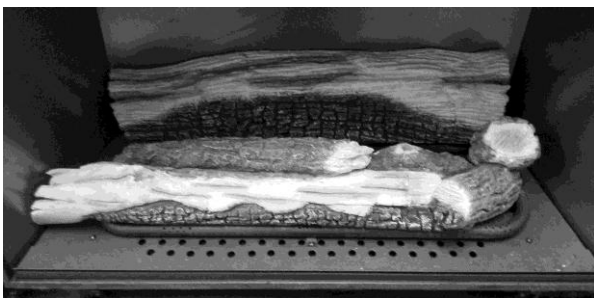


Figure 40: Front Log Installation



Figure 41: Decorative Log Installation



Figure 42: Ember Placement



Figure 43: Complete Log Set

### Air Deflector Installation / Removal

#### Installation

Position the air deflector in the fireplace as seen in figure 44 and secure with two screws using a screwdriver.

#### Removal

Remove the two screws seen in figure 44 using a screwdriver, and remove the air deflector from fireplace.

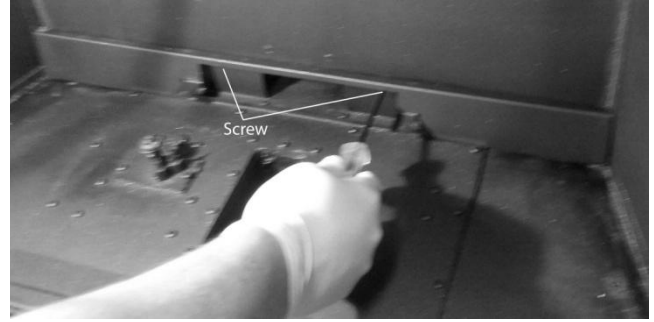


Figure 44: Air Deflector

### Burner Tray Installation / Removal

#### Installation

Place the burner tray in the fireplace and secure with 4 screws using a screwdriver, as seen in figure 45.

#### Removal

Remove the 4 screws seen in figure 45 using a screwdriver, and remove the burner tray.

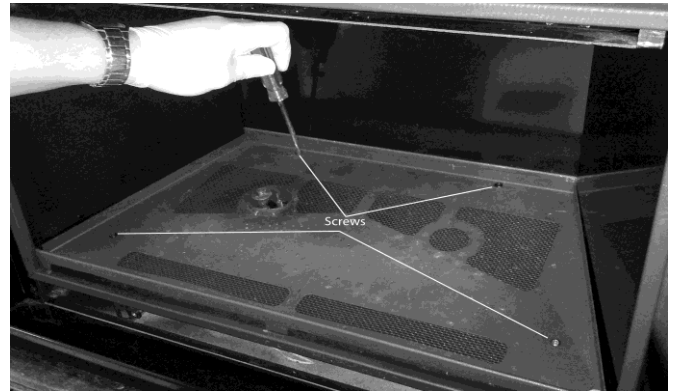


Figure 45: Glass Burner Tray

### Glass Installation

To install the glass, evenly spread a thin layer of crushed glass across the entire burner pan as seen in figure 46. Ensure glass does not cover pilot.

### Rock Installation (Optional)

To install the optional rock set, place rocks making sure no rocks are in the flame when the unit is operating. Do not cover air openings.

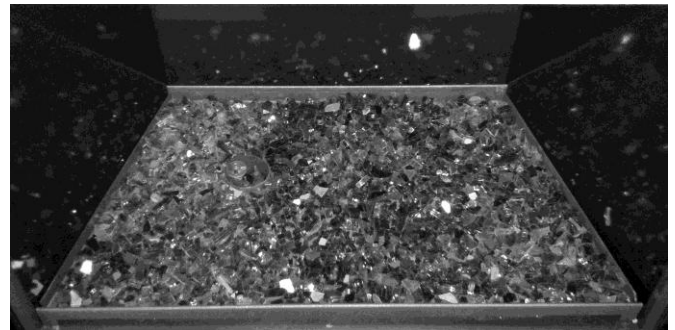


Figure 46: Glass Installation

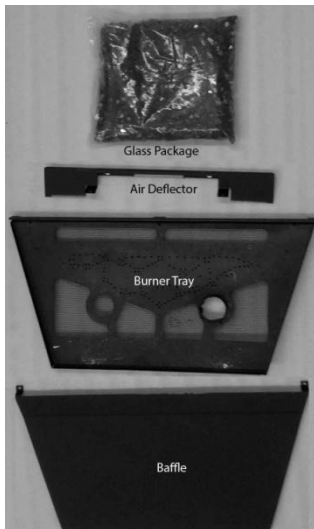


Figure 47: Glass Burner Kit



Figure 48: Rocks Installation

**Replacement Parts**

**Description**

Broadway Replacement Door.....  
 Brentwood Replacement Door.....  
 Broadway Regular Screen.....  
 Brentwood Regular Screen.....  
 Complete Replacement Gas Tray.....  
 Replacement Gas Valve.....  
 Replacement Control Module.....  
 Replacement Pilot Assembly.....  
 Replacement Remote Control.....

**Order Number**

BDEM.DSPA  
 BRNT.DSPA  
 GBWY.SCRNA  
 GBNT.SCRNA  
 GASC.BRNTRAYA  
 GASC.VALVEA  
 GASC.MODA  
 GASC.PILOTA  
 GASC.CNTRLA

**Broadway Aesthetic Components**

**Surround Kit (required)**

BDWY TRADITIONAL SURROUND.....BDWY.SMBKA  
 BDWY OS TRADITIONAL SURROUND...BDWY.SMBKOSA  
 BDWY CONTEMPORY SURROUND.....BDWY.STBKA  
 BDWY OS CONTEMPORY SURROUND.BDWY.STBKOSA  
 BDWY CONTEMPORY SS SRNDND.....BDWY.STSSA  
 BDWY OS CONTEMPORY SS SRND.....BDWY.STSSOSA

**Panel Set (required)**

BDWY ESTM PANEL FLUTED.....BDEM.CPNFLA  
 BDWY ESTM PANEL RED BRICK.....BDEM.CPNRDA  
 BDWY ESTM PANEL GRAY BRICK.....BDEM.CPNGYA  
 BDWY ESTM PANEL LEDGE STONE....BDEM.CPNLDA  
 BDWY ESTM PANEL PORC BLACK.....BDEM.PPNBKA  
 BDWY ESTM PANEL PORC RED.....BDEM.PPNRDA  
 BDWY ESTM PANEL PORC Titanium....BDEM.PPNTIA  
 BDWY ESTM PANEL PORC Coffee Bean..BDEM.PPNCBA  
 BDWY ESTM PANEL PORC Copper.....BDEM.PPNCUA

**Burner Set (required)**

BDWY ESTM DESIGNER LOG BNR.....BDEM.NG01A  
 BDWY ESTM GLASS BURNER.....BDEM.NG03A

**Optional Components**

BDWY ESTM BLOWER..... BDEM.BLOWA  
 Metro Rock Set Black..... GASC.METROBKA  
 Metro Rock Set Grey..... GASC.METROGYA  
 Tranquility Rock Set..... GASC.TRANQA  
 Propane Conversion Kit..... GASC.LPKIT

**Brentwood Aesthetic Components**

**Surround Kit (required)**

BRNT TRADITIONAL SURROUND.....BRNT.SMBKA  
 BRNT OS TRADITIONAL SURROUND... BRNT.SMBKOSA  
 BRNT CONTEMPORY SURROUND..... BRNT.STBKA  
 BRNT OS CONTEMPORY SURROUND. BRNT.STBKOSA  
 BRNT CONTEMPORY SS SRNDND..... BRNT.STSSA  
 BRNT OS CONTEMPORY SS SRND..... BRNT.STSSOSA

**Panel Set (required)**

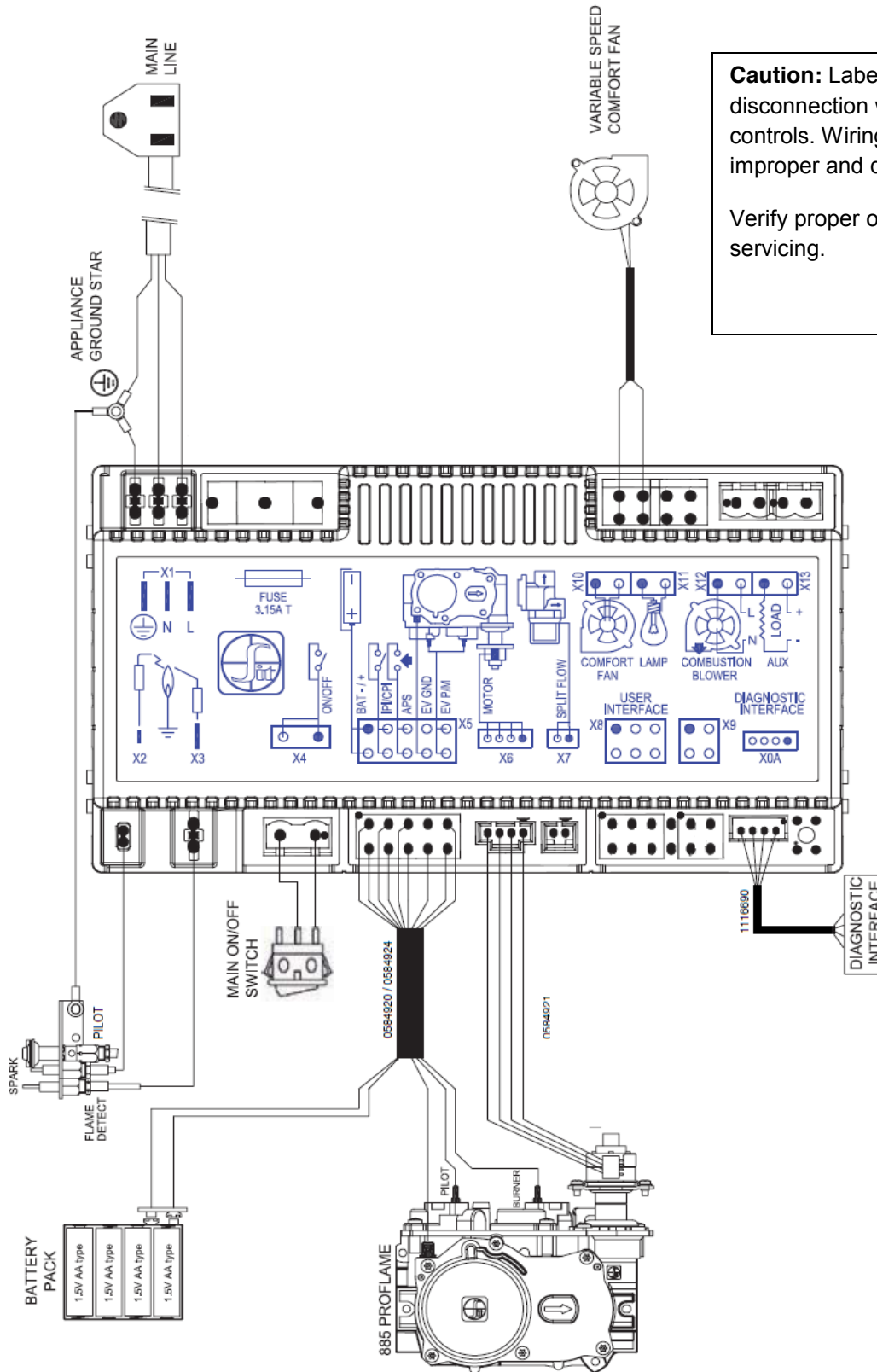
BRNT ESTT PANEL FLUTED.....BRET.CPNFLA  
 BRNT ESTT PANEL RED BRICK..... BRET.CPNRDA  
 BRNT ESTT PANEL GRAY BRICK..... BRET.CPNGYA  
 BRNT ESTT PANEL LEDGE STONE..... BRET.CPNLDA  
 BRNT ESTT PANEL PORC BLACK..... BRET.PPNBKA  
 BRNT ESTT PANEL PORC RED..... BRET.PPNRDA  
 BRNT ESTT PANEL PORC Titanium..... BRET.PPNTIA  
 BRNT ESTT PANEL PORC Coffee Bean.. BRET.PPNCBA  
 BRNT ESTT PANEL PORC Copper..... BRET.PPNCUA

**Burner Set (required)**

BRNT ESTT DESIGNER LOG BNR.....BRET.NG01A  
 BRNT ESTT GLASS BURNER.....BRET.NG03A

**Optional Components**

BRNT ESTT BLOWER..... GBRET.BLOWA  
 Metro Rock Set Black..... GASC.METROBKA  
 Metro Rock Set Grey..... GASC.METROGYA  
 Tranquility Rock Set..... GASC.TRANQA  
 Propane Conversion Kit..... GASC.LPKIT



**Caution:** Label all wires prior to disconnection when servicing controls. Wiring errors can cause improper and dangerous operation.

Verify proper operation after servicing.







**MODEL/  
MODELE: BROADWAY**

**SERIES/  
SERIE: A**

**MADE IN CANADA  
FABRIQUE AU CANADA**

**VENTED GAS FIREPLACE - NOT FOR USE  
WITH SOLID FUEL//FOYER AU GAZ À ÉVACUATION -  
NE PAS UTILISER AVEC DU COMBUSTIBLE SOLIDE**

**LC-201**

ANSI Z21.88a-2012 / CSA 2.33b-2012 Vented Gas Fireplace Heaters  
CAN/CGA 2.17-M91 Gas-Fired Appliance For Use At High Altitudes.

This Appliance is Equipped For Use With /  
Cet Appareil est Équipé Pour Utiliser Avec :

Certified for / Certifié pour Canada and U.S.A.

NATURAL GAS GAZ NATUREL	LP-GAS LP GAZ
<input checked="" type="checkbox"/>	<input type="checkbox"/>
<b>NATURAL GAS/ DU GAZ NATUREL</b>	<b>LP GAS/ DU GAZ LP</b>
Minimum supply pressure / Pression minimum d'alimentation: (For the purpose of input adjustment / dans le but de régler l'alimentation) Maximum supply pressure / Pression maximum d'alimentation:	12.5 in/wc / 12.5 po/c.e. (3.11 kPa)
Manifold pressure / Pression de la tuyauterie: Maximum	13.9 in/wc / 13.9 po/c.e. (3.45 kPa)
Orifice Size / Diametre de l'injecteur:	10.0 in/wc / 11.0 po/c.e. (2.74 kPa)
Input BTU/hr (kW) / Entree BTU/h (kW):	1.98mm
	Max.:18,000Btu (5.3kw) Min.: 12,300Btu (3.6kw)
	Max.:17,000Btu (5.0kw) Min.:13,500Btu (4.0kw)

FOR USE WITH/ EN CASE D'EMPLOI AVEC:	NATURAL GAS/ DU GAZ NATUREL	LP GAS/ DU GAZ LP
Minimum supply pressure / Pression minimum d'alimentation: (For the purpose of input adjustment / dans le but de régler l'alimentation) Maximum supply pressure / Pression maximum d'alimentation:	5.0 in/wc / 5.0 po/c.e. (1.25 kPa)	12.5 in/wc / 12.5 po/c.e. (3.11 kPa)
Manifold pressure / Pression de la tuyauterie: Maximum	13.9 in/wc / 13.9 po/c.e. (3.45 kPa)	13.9 in/wc / 13.9 po/c.e. (3.45 kPa)
Orifice Size / Diametre de l'injecteur:	3.5 in/wc / 3.5 po/c.e. (.87 kPa)	10.0 in/wc / 11.0 po/c.e. (2.74 kPa)
Input BTU/hr (kW) / Entree BTU/h (kW):	1.98mm	1.25mm
	Max.:18,000Btu (5.3kw) Min.: 12,300Btu (3.6kw)	Max.:17,000Btu (5.0kw) Min.:13,500Btu (4.0kw)

Unit electrical rating: 115v, 60hz, 0.52A / Normes electriques du unité: 115v, 60hz, 0.52 A

This appliance equipped for altitudes 0 - 4500 ft. (0 - 1372 m) / Cet unité est conçu pour des altitudes variant entre 0 - 4500 pieds (0 - 1372 m). In Canada, also certified for installation in a bedroom or a bedsitting room / Aussi certifié pour installation dans une chambre à coucher ou une salle de séjour. This appliance must be installed in accordance with local codes, if any; if none, follow the current CAN/CGA-B149 (Canada), or ANSI Z223.1 (USA) Installation Codes. Installer l'appareil selon les codes ou règlements locaux, ou, en l'absence de tels règlements, selon les codes d'installation CAN/CGA-B149 (Canada), or ANSI Z223.1 (USA) en vigueur.

**MANUFACTURED (MOBILE) HOME:** This appliance is only for use with the type of gas indicated on the rating plate and may be installed in an aftermarket, permanently located, manufactured (mobile) home where not prohibited by local codes. See owners manual for details.

**FABRIQUEZ (MOBILE) MAISON:** Cet appareil doit être utilisé uniquement avec le type de gaz indiqué sur la plaque signalétique et peut être installé dans une maison préfabriquée (mobile) installée à demeure si les règlements locaux le permettent. Voir la notice du propriétaire pour plus de détails. Cet appareil ne peut être converti à d'autres gaz sauf si une trousse de conversion certifiée est utilisée.

Install in accordance with the current standard Mobile Homes, CAN/CSA Z240 MH (in CANADA), and the Manufacturer's Home Construction and Safety Standard, Title 24 CFR, Part 3280, or the current Standard for Fire Safety Criteria for Manufactured Home Installations, Sites, and Communities ANSI/NFPA 501A, (in the U.S.A.). Cet appareil doit être installé conformément aux exigences de la norme CAN/CSA Z240 MH en vigueur de l'ACNOR, Installations de gaz dans les Constructions Mobiles.

**FOR USE WITH GLASS DOORS CERTIFIED WITH THE APPLIANCE ONLY / POUR UTILISATION UNIQUEMENT AVEC LES PORTES IN VERRE CERTIFIÉES AVEC L'APPAREIL**

**MINIMUM CLEARANCES TO COMBUSTIBLES / CLAIRANCES MINIMALES AVEC LES COMBUSTIBLE**

Left and Right side are determined when facing the front of the appliance. / Les côtés droit et gauche se déterminent en se mettant devant l'appareil et en lui faisant face.

For installation in a masonry fireplace only / Pour une installation dans un foyer maçonnerie seulement	0 in.	(0 mm)
Sidewall to Appliance / Du mur latéral a l'appareil	8 in.	(203 mm)
Mantel to Appliance / Du manteau a l'appareil	*11 in.	(279 mm)
Maximum Mantel Extension / Allongement maximum du manteau	*12 in	(305 mm)
*See Installation Manual for more detail / Voyez des Directive de l'Installation pour plus détails.		

**Pacific Energy  
Fireplace Products Ltd.  
Duncan, British Columbia,  
Canada**

**WARNING:** Improper installation, adjustment, alteration, service or maintenance can cause injury or property damage. Refer to the owner's information manual provided with this appliance. For assistance or additional information, consult a qualified installer, service agency or the gas supplier.

**AVERTISSEMENT:** Une installation, un réglage, une modification, une réparation ou un entretien mal effectué peut causer des dommages matériels ou des blessures. Voir la notice de l'utilisateur qui accompagne l'appareil. Pour de l'aide ou des renseignements supplémentaires, consultez un installateur, un technicien agréé ou le fournisseur de gaz.

010814

5050.7025-B

BDWY.BODYA



**MODEL/ MODELE:  
BRENTWOOD**

**SERIES/  
SERIE: A**

**MADE IN CANADA  
FABRIQUE AU CANADA**

**VENTED GAS FIREPLACE - NOT FOR USE  
WITH SOLID FUEL//FOYER AU GAZ À ÉVACUATION -  
NE PAS UTILISER AVEC DU COMBUSTIBLE SOLIDE**

ANSI Z21.88a-2012 / CSA 2.33b-2012 Vented Gas Fireplace Heaters  
CAN/CGA 2.17-M91 Gas-Fired Appliance For Use At High Altitudes.

**LC- 202**

This Appliance is Equipped For Use With /  
Cet Appareil est Équipé Pour Utilisé Avec :

Certified for / Certifié pour Canada and U.S.A.

**NATURAL GAS**  **LP-GAS**   
**GAZ NATUREL**  **LP GAZ**

FOR USE WITH/ EN CASE D'EMPLOI AVEC:	NATURAL GAS/ DU GAZ NATUREL	LP GAS/ DU GAZ LP
Minimum supply pressure / Pression minimum d'alimentation: (For the purpose of input adjustment / dans le but de régler l'alimentation) Maximum supply pressure / Pression maximum d'alimentation:	5.0 in/wc / 5.0 po/c.e. (1.25 kPa) 13.9 in/wc / 13.9 po/c.e. (3.45 kPa)	12.5 in/wc / 12.5 po/c.e. (3.11 kPa) 13.9 in/wc / 13.9 po/c.e. (3.45 kPa)
Manifold pressure / Pression de la tuyauterie: Maximum	3.5 in/wc / 3.5 po/c.e. (.87 kPa)	10.0 in/wc / 11.0 po/c.e. (2.74 kPa)
Orifice Size / Diametre de l'injecteur:	2.55mm	1.52mm
Input BTU/hr (kW) / Entree BTU/h (kW):	Max.:30,000Btu (5.3kw) Min.: 22,000Btu (3.6kw)	Max.:26,000Btu (5.0kw) Min.:20,000Btu (4.0kw)

Unit electrical rating: 115v, 60hz, 0.52A / Normes electriques du unité: 115v, 60hz, 0.52 A

This appliance equipped for altitudes 0 - 4500 ft. (0 - 1372 m) / Cet unité est conçu pour des altitudes variant entre 0 - 4500 pieds (0 - 1372 m). In Canada, also certified for installation in a bedroom or a bedsitting room / Aussi certifié pour installation dans une chambre à coucher ou une salle de séjour. This appliance must be installed in accordance with local codes, if any; if none, follow the current CAN/CGA-B149 (Canada), or ANSI Z223.1 (USA) Installation Codes. Installer l'appareil selon les codes ou règlements locaux, ou, en l'absence de tels règlements, selon les codes d'installation CAN/CGA-B149 (Canada), or ANSI Z223.1 (USA) en vigueur.

**MANUFACTURED (MOBILE) HOME:** This appliance is only for use with the type of gas indicated on the rating plate and may be installed in an aftermarket, permanently located, manufactured (mobile) home where not prohibited by local codes. See owners manual for details.  
**FABRIQUEZ (MOBILE) MAISON:** Cet appareil doit être utilisé uniquement avec le type de gaz indiqué sur la plaque signalétique et peut être installé dans une maison préfabriquée (mobile) installée à demeure si les règlements locaux le permettent. Voir la notice du propriétaire pour plus de détails. Cet appareil ne peut être converti à d'autres gaz sauf si une trousse de conversion certifiée est utilisée.

Install in accordance with the current standard Mobile Homes, CAN/CSA Z240 MH (in CANADA), and the Manufacturer's Home Construction and Safety Standard, Title 24 CFR, Part 3280, or the current Standard for Fire Safety Criteria for Manufactured Home Installations, Sites, and Communities ANSI/NFPA 501A, (in the U.S.A.). Cet appareil doit être installé conformément aux exigences de la norme CAN/CSA Z240 MH en vigueur de l'ACNOR, Installations de gaz dans les Constructions Mobiles.

**FOR USE WITH GLASS DOORS CERTIFIED WITH THE APPLIANCE ONLY / POUR UTILISATION UNIQUEMENT AVEC LES PORTES IN VERRE CERTIFIÉES AVEC L'APPAREIL**

MINIMUM CLEARANCES TO COMBUSTIBLES / CLAIRANCES MINIMALES AVEC LES COMBUSTIBLE	
Left and Right side are determined when facing the front of the appliance. / Les côtés droit et gauche se déterminent en se mettant devant l'appareil et en lui faisant face.	
For installation in a masonry fireplace only / Pour une installation dans un foyer maçonnerie seulement	0 in. (0 mm)
Sidewall to Appliance / Du mur latéral a l'appareil	8 in. (203 mm)
Mantel to Appliance / Du manteau al'appareil	*32 in. (810 mm)
Maximum Mantel Extension / Allongement maximum du manteau	*12 in. (305 mm)
*See Installation Manual for more detail / Voyez des Directive de l'Installation pour plus détails.	

**Pacific Energy  
Fireplace Products Ltd.  
Duncan, British Columbia,  
Canada**

**WARNING:** Improper installation, adjustment, alteration, service or maintenance can cause injury or property damage. Refer to the owner's information manual provided with this appliance. For assistance or additional information, consult a qualified installer, service agency or the gas supplier.  
**AVERTISSEMENT:** Une installation, un réglage, une modification, une réparation ou un entretien mal effectué peut causer des dommages matériels ou des blessures. Voir la notice de l'utilisateur qui accompagne l'appareil. Pour de l'aide ou des renseignements supplémentaires, consultez un installateur, un technicien agréé ou le fournisseur de gaz.

010814

5050.7065-B

BRNT.BODYA





Technical support: 1-250-748-1184

Web site: [www.pacificenergy.net](http://www.pacificenergy.net)

2975 Allenby Rd., Duncan, BC V9I 6V8