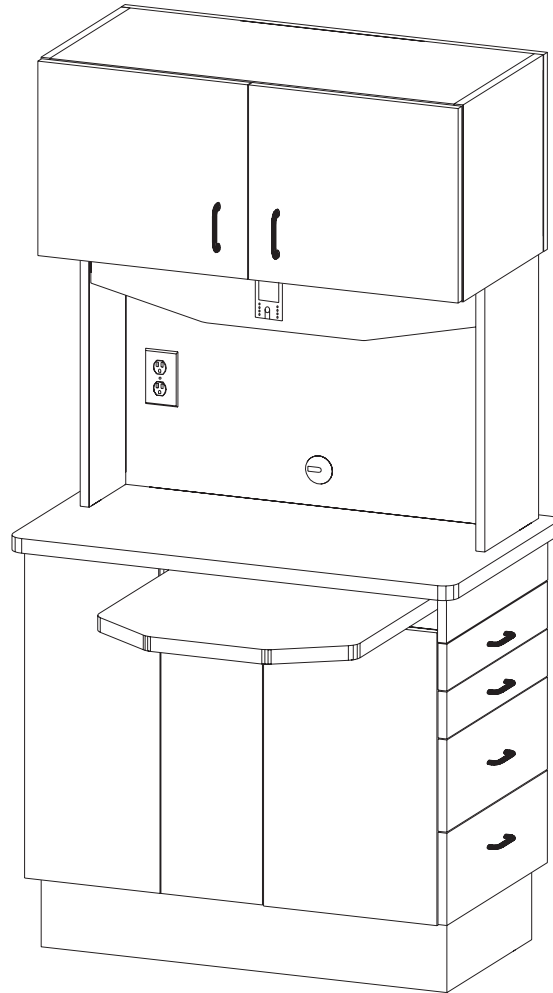


Installation Instructions & Owners Manual

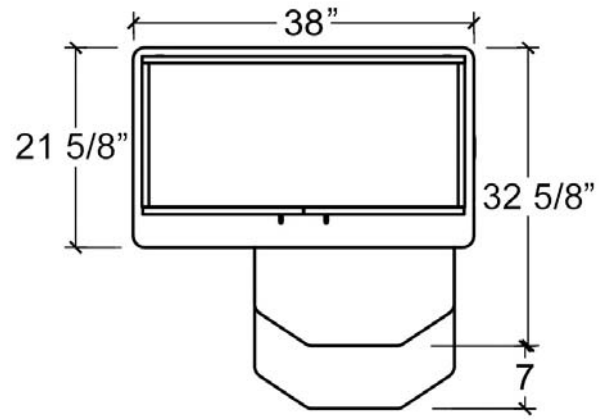
**E-Series Dental Cabinetry
Model: ECO-6**



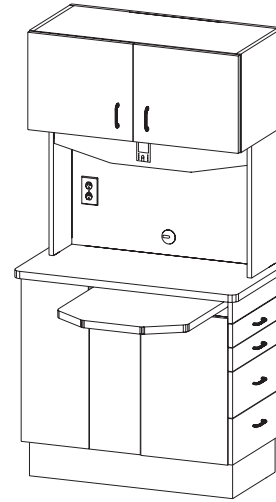
Consumer: Please retain these instructions for future use.

 **Belmont**

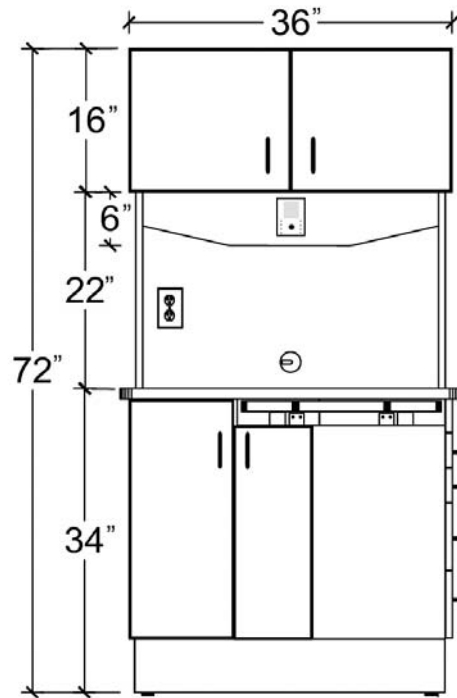
1631 Dr. Martin Luther King Drive
St. Louis, MO 63106
(314) 231-7383 (888) 833-3682
Fax (314) 621-2296
www.belmontequip.com



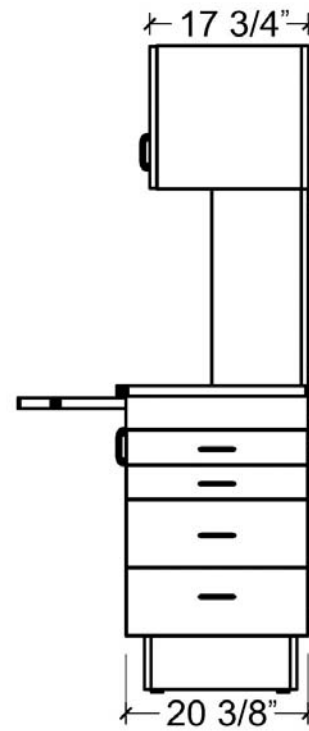
TOP VIEW



ISOMETRIC VIEW



FRONT VIEW



RIGHT SIDE VIEW

Detail Drawings
Model: ECO-6

General Cabinet Handling Information

Models: ECO-6

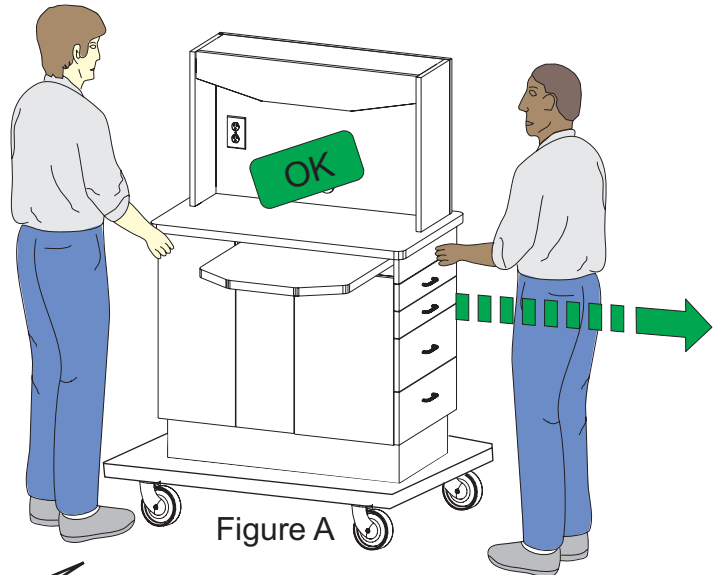


Figure A

Move by using some type of roller dolly, slings or a comparable moving aid. See Figure A and B

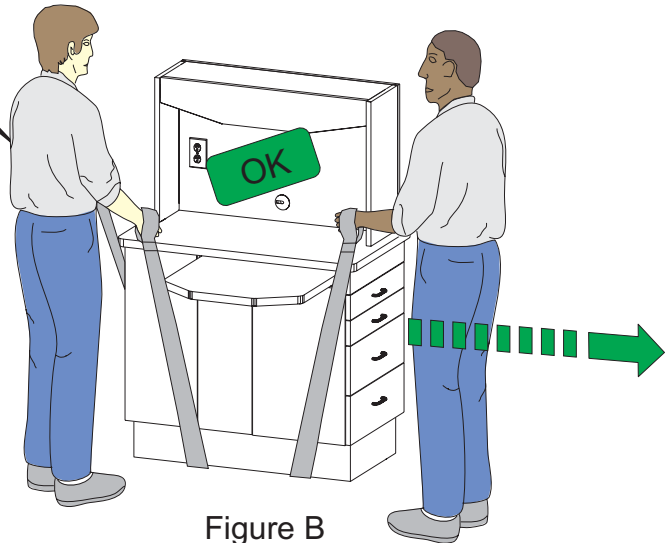


Figure B

Attention: DO NOT lift by Sliding Top which could result in damage to the sliding mechanism.

ECO-Sys Cabinetry Systems

Laminate Surfaces Cleaning Instructions

The disinfectant solution should be applied in accordance with the instructions provided by the manufacturer.

The following solutions are recommended for laminate surfaces, they may also be used on metal and glass surfaces:

<u>Product</u>	<u>Manufacturer</u>
Birex®	Biotrol International
Kodak Clinasept	Kodak
Foaming Disinfectant	Catalogue #829-5230

Belmont is not responsible for any changes made by the manufacturer in the chemical composition of the cleaning solutions listed above, which may affect the surface finish after application.

Hinge Adjustments

Model: ECO-6

Adjustment Instructions for Concealed Hinges and Drawers

3-Dimension Adjustment for Snap-On Hinge

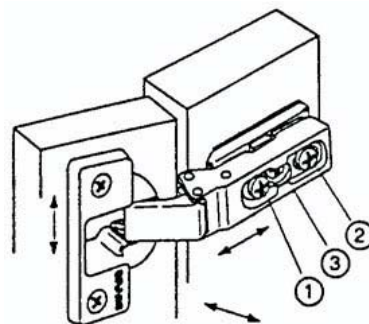
Note: Remove Cover Cap

Allows for three-way adjustments in the hinge arm.
The side adjustment is a micro adjustment. The depth and height adjustment is held by a grid system.

Use #2 POZIdrive screwdriver to adjust screws.

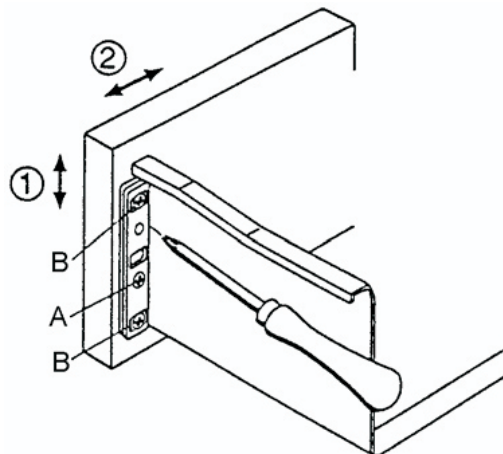
- 1 – Side adjustment
- 2 – Depth adjustment
- 3 – Height adjustment

Release Latch



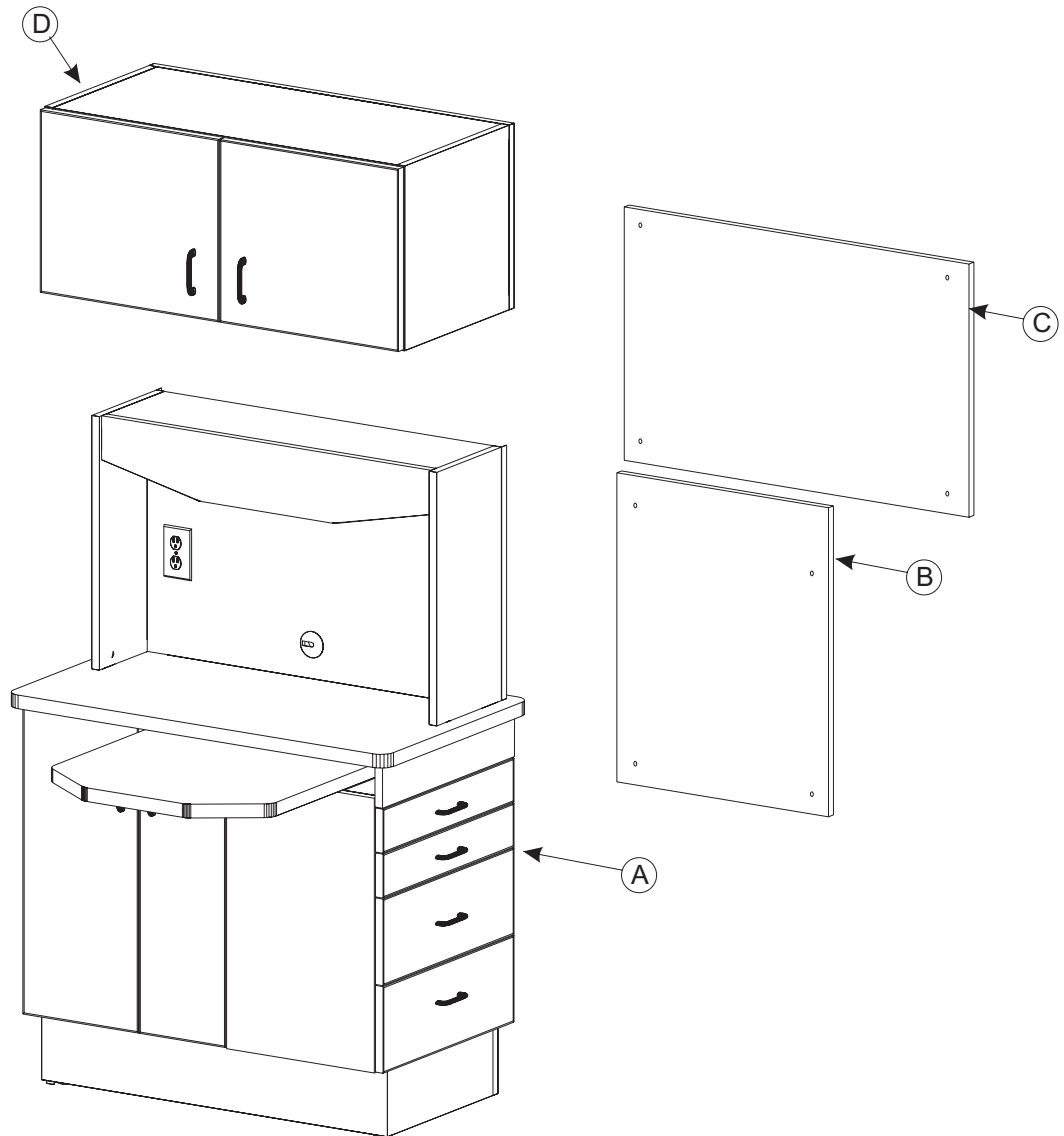
Adjustment for Drawer

- 1 – Height adjustment: Loosen screws **B** slightly. Adjust screw **A** (adjustment +/- 2mm). Tighten screws **B**.
- 2 - Side adjustment: Loosen screws **B** slightly. Adjust front to required position (adjustment range +/- 1.5mm). Tighten screws **B**.



Assembly Instructions

Model: & ECO-6



Component Identification

- (A) Lower Cabinet
- (B) Lower Back Panel
- (C) Upper Back Panel
- (D) Upper Storage

Note: Back Panels (Item B & C) attached to Lower Cabinet (Item A) during shipping.

Assembly Instructions

Model: ECO-6

Step 1

Check the incoming power location to see if it conforms to the specification on the floor template drawing. If a dental delivery system is to be installed on this cabinet, confirm that the appropriate air, water and vacuum plumbing stubs are in place.

Step 2

Remove (2) Doors (A1) and (4) Drawers (A2) from Lower Cabinet (A) (see Figure 1). Note: Drawers must be kept in order and returned to original locations in order to properly fit.

Remove the (2) Bottom Covers (A3) from inside Lower Cabinet (A) (see Figure 1).

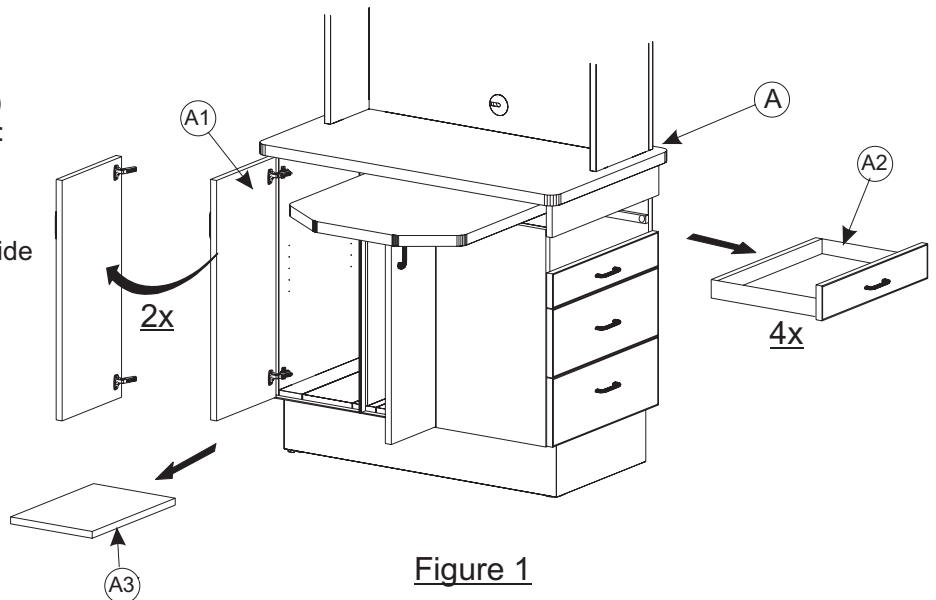
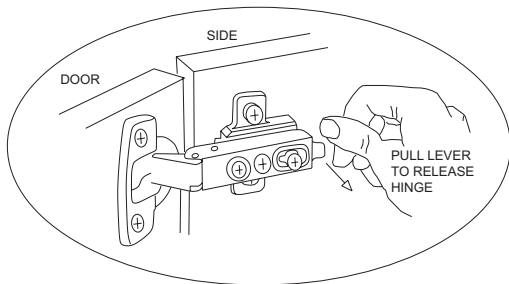


Figure 1

Step 3

Remove Upper/Lower Back Panels (A4) & (A5) by removing (4) Allen Bolts (A6) from each panel using a 4mm Allen Wrench (see Figure 2).

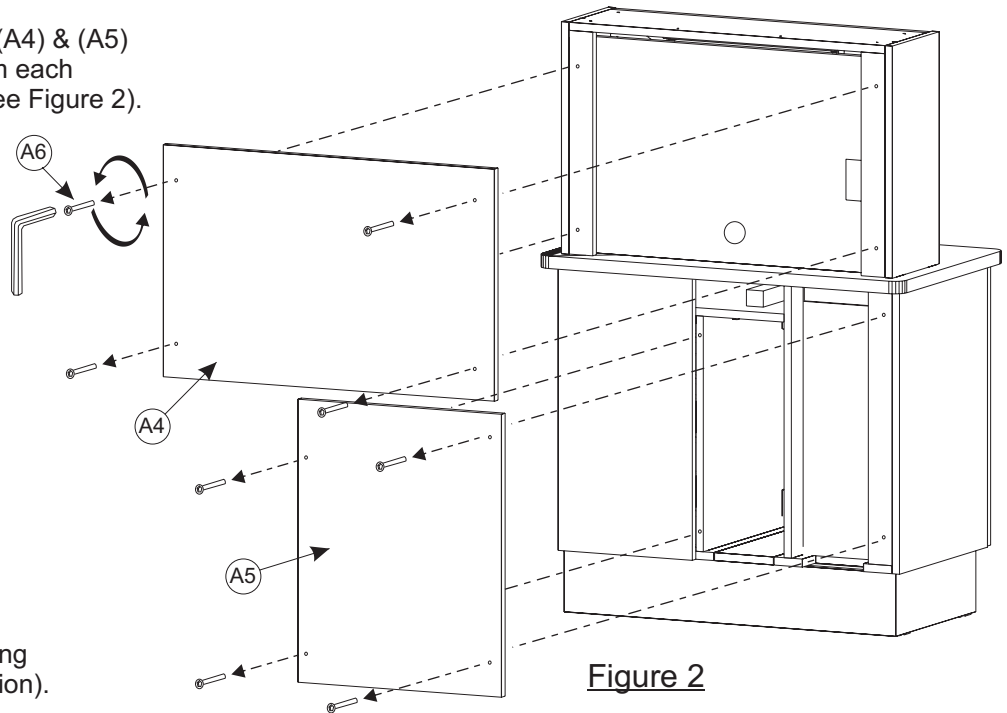


Figure 2

Step 4

Move Lower Cabinet (A) to its desired location (see "General Cabinet Handling Information" page for moving information).

Attention: DO NOT lift by Sliding Top which could result in damage to the sliding mechanism.

Assembly Instructions

Model: ECO-6

Step 5

Remove (2) Doors (D1) from Upper Storage (D) (see Figure 3).

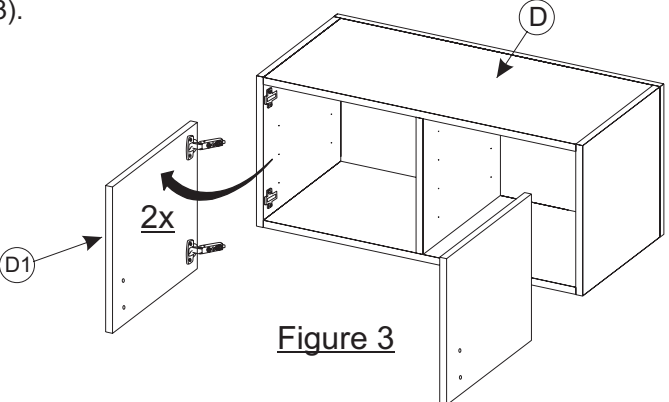
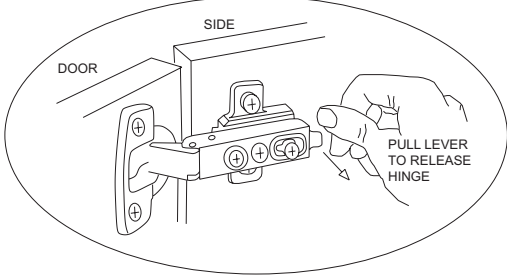


Figure 3

Step 6

Place Upper Storage (D) on top of the Lower Cabinet (A)
Secure with (4) 1/4-20 x 1-3/4" Flat Head Screws (D2) (see Figure 4).
(Note: Make sure to have an assistant hold the Upper Storage in position to keep it from falling off).

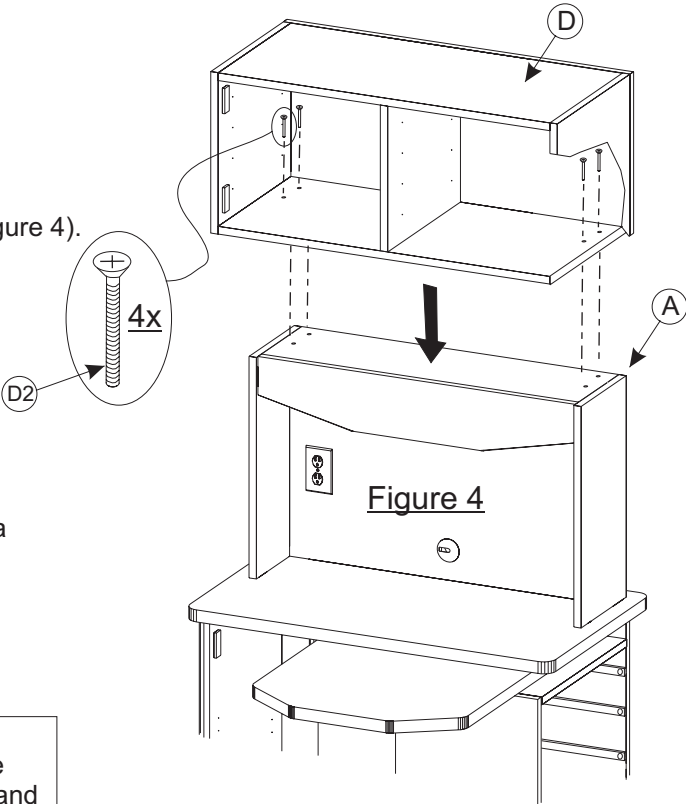


Figure 4

Step 7 IMPORTANT

Adjust the (4) Leveling Feet (A7) to the desired height using a 5mm allen wrench (see Figure 5).

You can mount the cabinet to the floor at this point by mounting the (4) Floor Mounting Brackets (A8) to the floor using proper fasteners for the floor being mounted to.

Both leveling the cabinet and mounting to the floor may be done at a later time but be sure to do so before access to the feet/floor brackets is unavailable (prior to reinstalling covers and panels. Cabinets placed up against a wall is one case where you should wait to mount the cabinet to the floor.

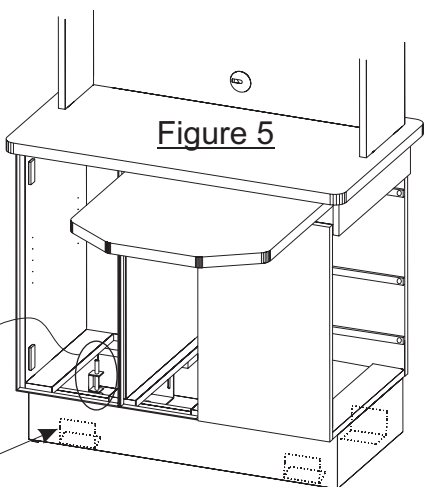
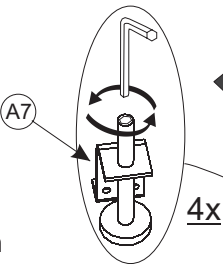


Figure 5

Step 8

Make electrical connections per the ECO-6 Electrical Schematic & Instruction sheets.

NOTE: Cabinets placed against a wall must have electrical access cut through the rear base or Lower Rear Panel.



Assembly Instructions

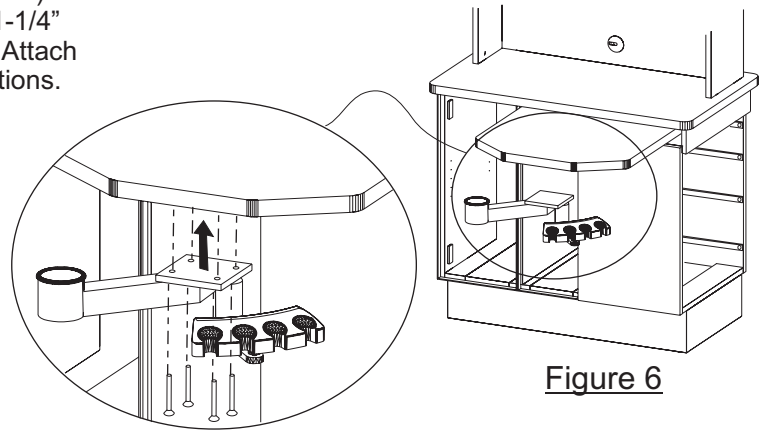
Model: ECO-6

Step 9A (Optional)

Mount the BDS-2571 Assistant Vacuum Package (shown) underneath the sliding countertop using (4) #10-24 x 1-1/4" allen screws using 5/32" Allen Wrench (see Figure 6). Attach connections according to the unit manufacturers directions.

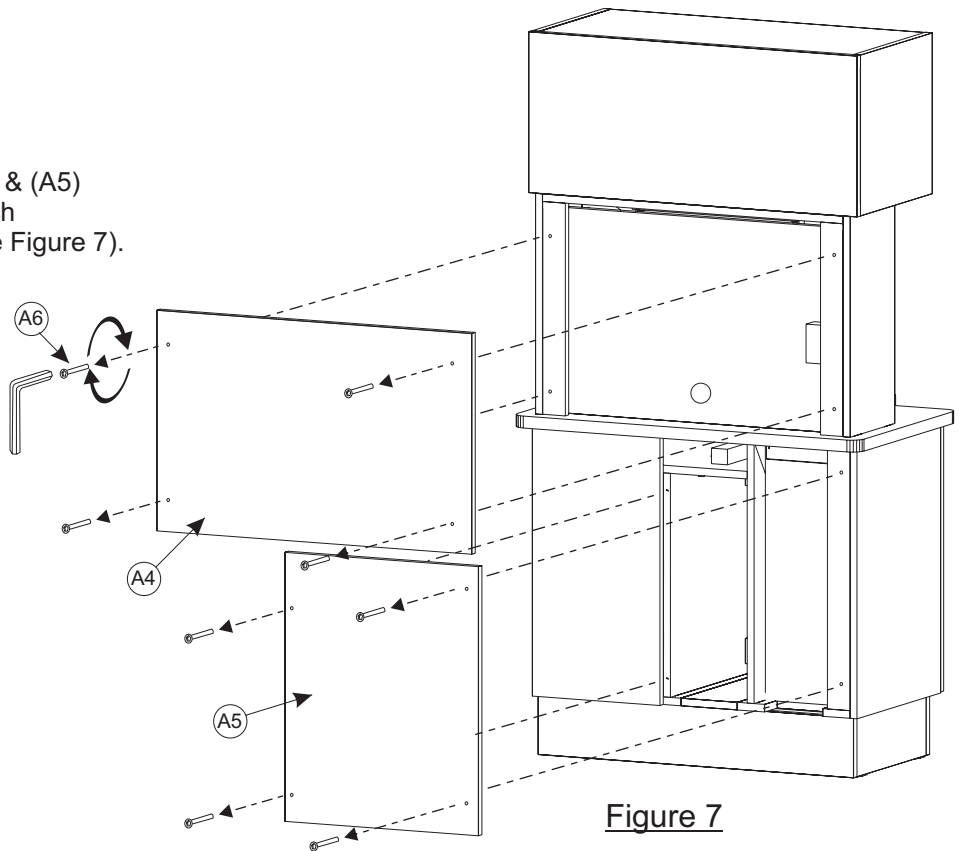
Step 9B (Optional)

Mount the BDS-2564 Doctors Control Package (not shown) underneath the sliding countertop using (4) #10-24 x 1-1/4" allen screws using 5/32" Allen Wrench. Attach connections according to the unit manufacturers directions.



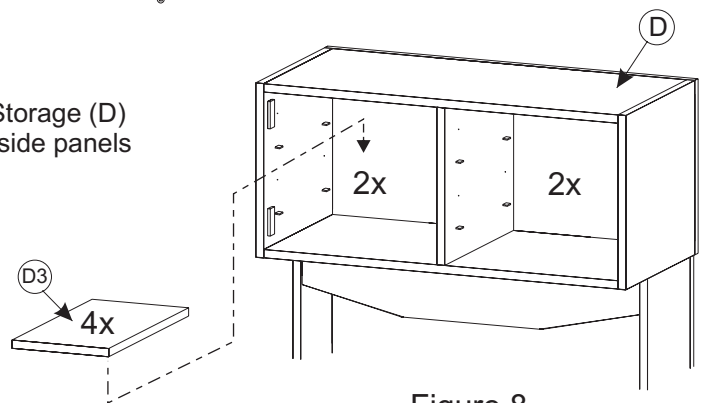
Step 10

Install Upper/Lower Back Panels (A4) & (A5) by securing (4) Allen Bolts (A6) to each panel using a 4mm Allen Wrench (see Figure 7).



Step 11

Install (4) Shelves (D3) (2 on each side) of Upper Storage (D) by installing (4) shelf pins per shelf into holes on inside panels (see Figure 8).



Assembly Instructions

Model: ECO-6

Step 11

Install Upper Storage Doors (D1) to Upper Storage (D) (see Figure 9)
Install Door Handles (D4) to Upper Storage Doors (D1) using
M4 x 25mm Pan Head Screws (D5) (see Figure 9).

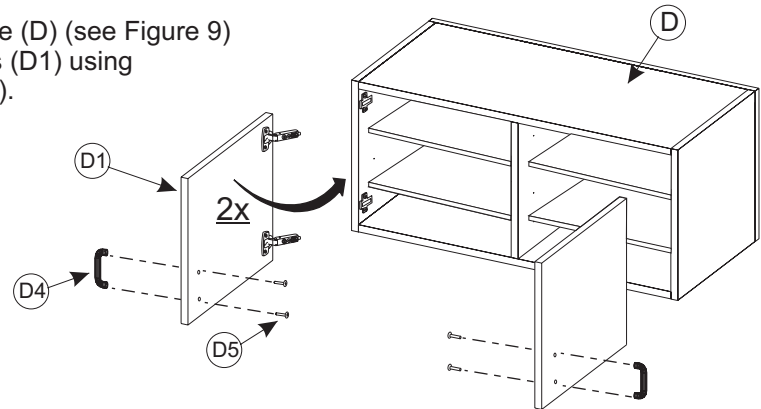


Figure 9

Step 12

Install (2) Bottom Covers (A3) to inside Lower Cabinet (A)
(see Figure 10).

Install Shelf (A7) in Lower Cabinet (A) by installing
(4) Shelf Pins into holes on inside panels
(see Figure 10).

Install (2) Doors (A1) (see Figure 10).

Install (4) Drawers (A2) (see Figure 10).

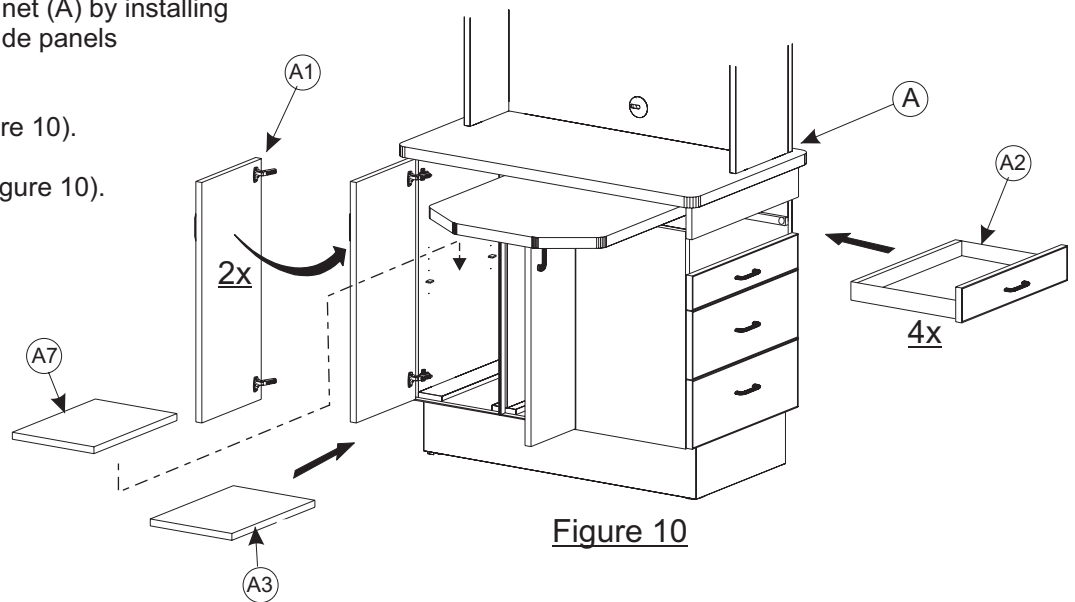


Figure 10

Step 13

Install Clock/Timer (A8) using double sided tape. See Clock/timer
instructions for battery install and operation (see Figure 11).

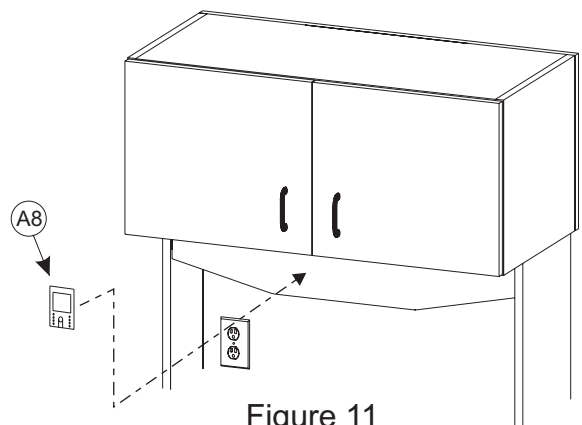


Figure 11

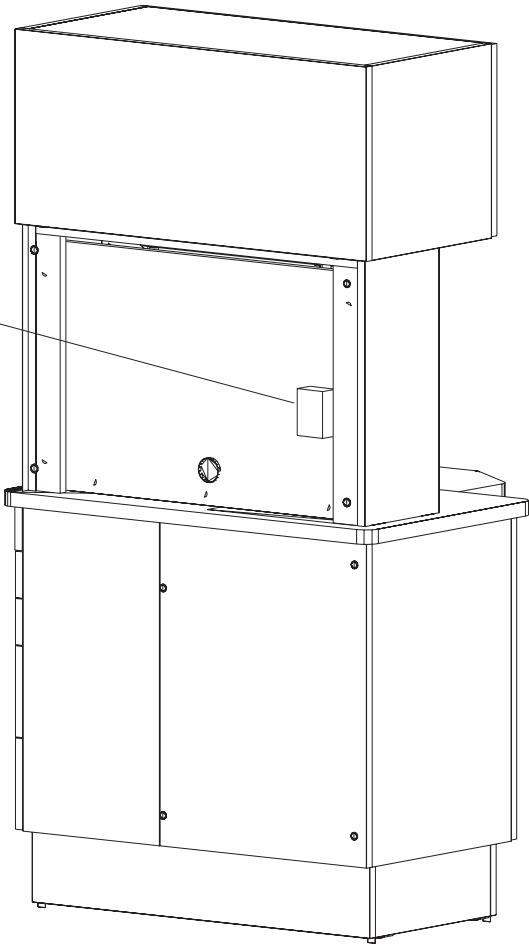
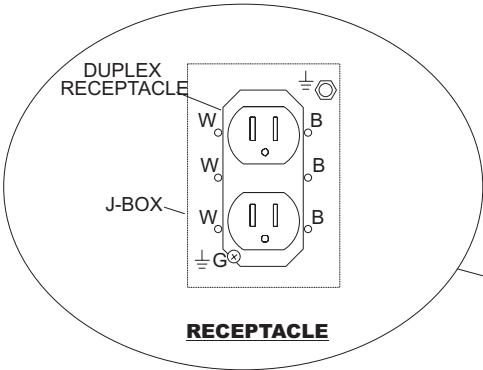
Installation Complete

Electrical Schematic

Model: ECO-6

ECO-6 ELECTRICAL CONNECTIONS

ALL ELECTRICAL WIRING MUST BE DONE BY OWNER WITH LICENSED ELECTRICIAN



REAR OF CABINET

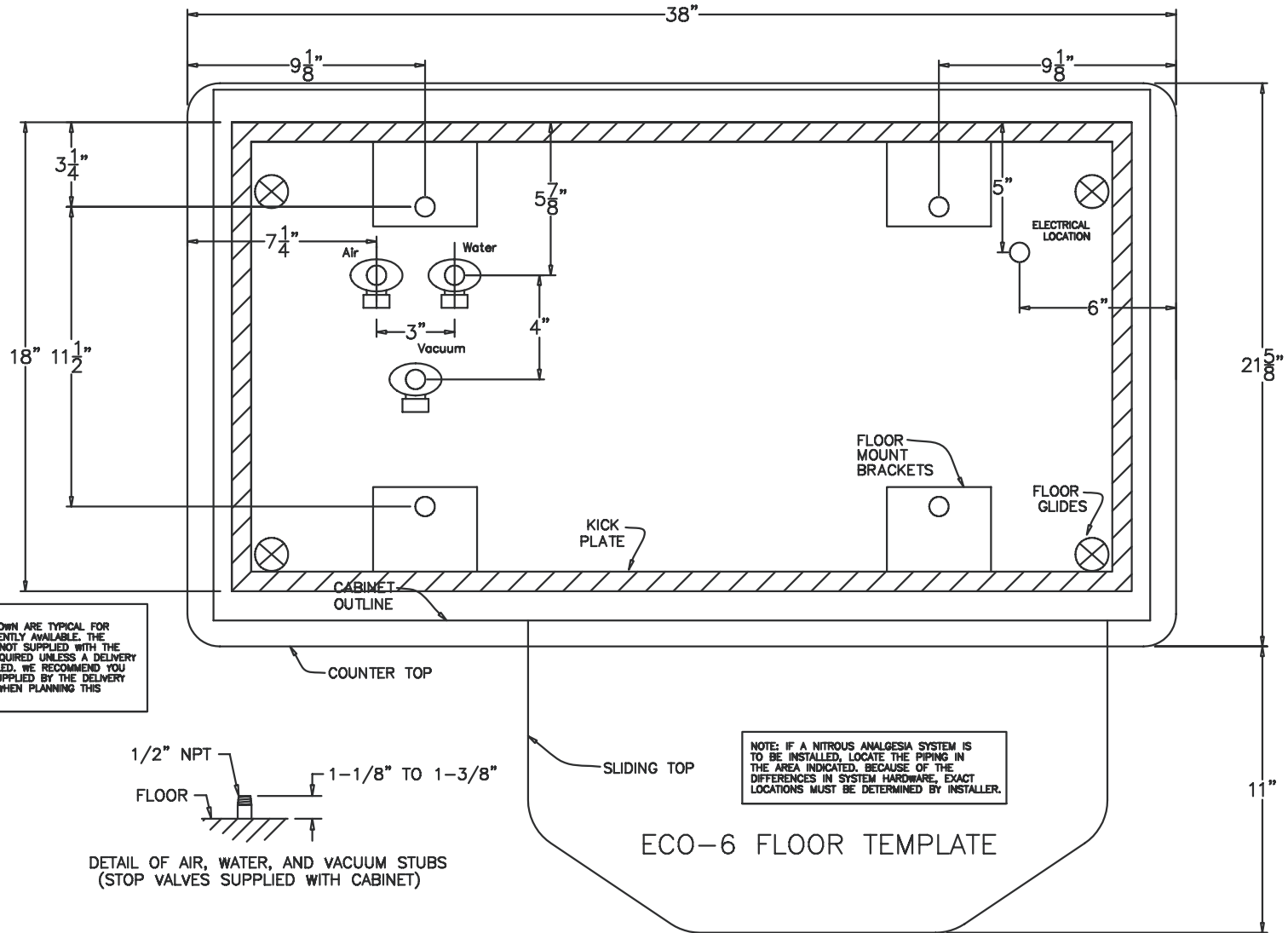
ECO-6 Electrical Instructions

IMPORTANT NOTE: Approved electrical components are used in the ECO-6 cabinet ; however, the procedures described herein must be performed by a licensed electrician using approved methods and materials according to the local code governing the installation site.

General Electrical Notes

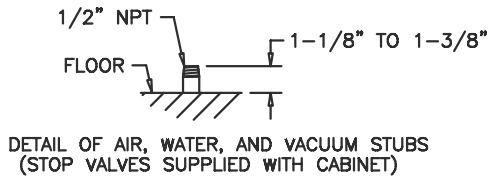
- Each cabinet should be wired to a SEPARATE 15 Amp circuit.
- Unless otherwise specified, ALL WIRING supplied by the contractor must be APPROVED 12 Ga. AWG.
- Disconnect device must be provided in the branch circuit by electrician.

* You have the option of wiring a fluorescent light in this cabinet. Please contact a licensed electrician for consultation.



IMPORTANT NOTE: PLUMBING LOCATIONS SHOWN ARE TYPICAL FOR DELIVERY SYSTEMS CURRENTLY AVAILABLE. THE PLUMBING HARDWARE IS NOT SUPPLIED WITH THE CABINETRY; IT IS NOT REQUIRED UNLESS A DELIVERY SYSTEM IS BEING INSTALLED. WE RECOMMEND YOU REVIEW THE TEMPLATE SUPPLIED BY THE DELIVERY SYSTEM MANUFACTURER WHEN PLANNING THIS PLUMBING LAYOUT.

NOTE: IF A NITROUS ANALGESIA SYSTEM IS TO BE INSTALLED, LOCATE THE PIPING IN THE AREA INDICATED. BECAUSE OF THE DIFFERENCES IN SYSTEM HARDWARE, EXACT LOCATIONS MUST BE DETERMINED BY INSTALLER.



ECO-6 FLOOR TEMPLATE

Floor Template
Model: ECO-6