



Yes, you can!

OWNERS MANUAL

optima

Silhouette
POWER
FOUNDATION™



CONTENTS

Advisory	2
Acoustics	4
Installation	5
Troubleshooting	10

ADVISORY

IMPORTANT INFORMATION

READ THE FOLLOWING INFORMATION CAREFULLY BEFORE USING THIS PRODUCT

This PowerBASE adjustable bed has been quality engineered with design features to assure comfort and safety when operated properly.

ELECTRICAL GROUNDING

This product is equipped with a polarized, grounded electrical power cord. The power cord will only fit into a grounded, electrical surge protection device (not included) or a grounded electrical outlet.

⚠ WARNING

FOR OPTIMUM ADJUSTABLE BED OPERATION, USE A GROUNDED, ELECTRICAL SURGE PROTECTION DEVICE (NOT INCLUDED). FAILURE TO USE A SURGE PROTECTION DEVICE COULD COMPROMISE SAFETY OR CAUSE PRODUCT MALFUNCTION.

WARRANTY WARNING

Do not open any control boxes, motors or hand control devices (with the exception of the hand control and power down box battery compartments). The product warranty will be void if these components are tampered with. Do not attempt to alter component wiring or adjust or modify the structure of the product in any way or the warranty will be void. Any repair or replacement of adjustable bed parts must be performed by authorized personnel.

LUBRICATION

This product is designed to be maintenance free. The lift motors are permanently lubricated and sealed—no additional lubrication is required. Do not apply lubricant to lift motor lead screws or any nylon nuts or the bed may inadvertently creep downward from the elevated position.

PRODUCT RATINGS

The bed lift motors are *not* designed for continuous use. Reliable operation and full life expectancy will be realized as long as the lift motors do not operate any more than five (5) minutes over a thirty (30) minute period, or approximately 15% duty cycle. **Note: massage equipped beds are not designed for continuous, extended massage operation. Massage systems are rated for a maximum of 2 hours of use within any 6 hour period.** Any attempt to circumvent or exceed product ratings will shorten the life expectancy of the product and may void the warranty.

The recommended weight restrictions for PowerBASE adjustable beds are as follows: Twin-300 lbs (136.07kg), Full-375 lbs (170.09kg) and Queen-425 lbs (192.77kg). The bed will structurally support the recommended weights distributed evenly across the head and foot sections. This product is not designed to support or lift this amount only in the head or foot sections alone. **Note: Exceeding the recommended weight restrictions could damage your adjustable bed and void your warranty.**

For best performance, consumers should enter and exit the adjustable bed with the bed in the flat (horizontal) position. **DO NOT SIT ON THE HEAD OR FOOT SECTIONS WHILE IN THE RAISED POSITION.**

ADVISORY

IMPORTANT INFORMATION

READ THE FOLLOWING INFORMATION CAREFULLY BEFORE USING THIS PRODUCT

This PowerBASE adjustable bed has been quality engineered with design features to assure comfort and safety when operated properly.

SMALL CHILDREN / PETS WARNING

After the bed is unboxed, immediately dispose of packaging material as it can smother small children and pets. To avoid injury, children or pets should not be allowed to play under or on the bed. Children should not operate this bed without adult supervision.

HOSPITAL USE DISCLAIMER

This bed is designed for in-home use only.

It is not approved for hospital use and does not comply with hospital standards. Do not use this bed with tent type oxygen therapy equipment, or use near explosive gases.

PACEMAKER WARNING

This product produces a vibrating sensation. It is possible that individuals with heart-assist pacemakers may experience a sensation similar to exercise. Consult physician for complete information.

SERVICE REQUIREMENTS

Service technicians are not responsible for moving furniture, removing headboards and footboards or any items required to perform maintenance on your adjustable bed. In the event the technician is unable to perform service due to lack of accessibility, the service call will be billed to the purchaser and the service will have to be rescheduled.

FCC COMPLIANCE

PowerBASE electrical components are rated for 110/120 voltage, 60Hz, 0.6 amp. Components meet Class B digital device rating (Part 15, FCC rules) for residential use. PowerBASE adjustable beds generate, use and may radiate radio frequency energy. Radio communication may be affected if not installed and operated as recommended in this manual.

LOCKING CASTER SAFETY FEATURE (If applicable)

Many PowerBASE models are equipped with locking casters to prohibit the bed from movement. For best results, place rubber caster cups under locking casters when the bed is located on smooth or hard surface flooring—it is possible for locking caster equipped beds to slide without the use of rubber caster cups.

To activate locking casters, push down on the lock tab. To disengage the locking mechanism, lift up the lock tab (*see illustration below*).

LOCKING CASTER
DETAIL



ACOUSTICS

LIFTING/LOWERING MECHANISMS

The lift/lower feature will emit a minimal humming sound during operation. This is normal.

During PowerBASE operation, the lift arm wheels make contact with the platform support of the bed. This applies slight tension on the moving components and resonance is reduced to a minimum level. If excessive noise or vibration is experienced, reverse the movement action (up or down) of the bed with the hand control. This should realign the bed's activating mechanisms to the proper operational position.

MESSAGE OPERATION

The massage feature will emit a minimal tone during operation. This is normal. When the massage level is increased, motor resonance will intensify accordingly.

LOCATION ENVIRONMENT

The level of sound experienced during PowerBASE operation is directly related to the location environment. For example, when a bed is located on a hardwood floor with the massage feature in operation, a vibrating tone will be audible. To minimize this resonance, place a piece of carpet—or optional rubber caster cups—under each leg or caster of the bed. *See the accessory sheet included with this product for rubber caster cup order information.*

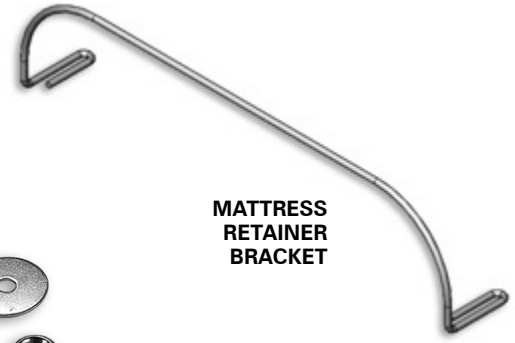
It is possible to experience vibration or noise from the headboard brackets, headboards or footboards if mounting bolts are not firmly tightened.

INSTALLATION

For PowerBASE installation and setup, complete the numbered procedure indicated below and on the following pages:

1. Before discarding any packing materials, check the adjustable bed shipping carton and verify the following items are included:

- (1) Mattress Retainer Bracket
- (1) Mattress Retainer Hardware Kit
- (4) Bed Legs
- (4) Locking Leg Casters (optional for Pro-Motion™ products)
- (4) 5 inch Adjustable Legs (standard for Silhouette™ and Optima products)
- (2) Headboard Bracket Assemblies (Profile and Pro-Motion™ products do not include headboard bracket kit)
- (1) Headboard Bracket Hardware Kit (Profile and Pro-Motion™ products do not include headboard bracket kit)
- (1) Hand Control
- (1) Owners Manual
- (1) Hand Control Guide
- (1) Accessory Sheet
- (1) Warranty Sheet
- (1) Registration Card



**MATTRESS
RETAINER
BRACKET**



**MATTRESS RETAINER
HARDWARE KIT**
(hardware: 16 pieces)



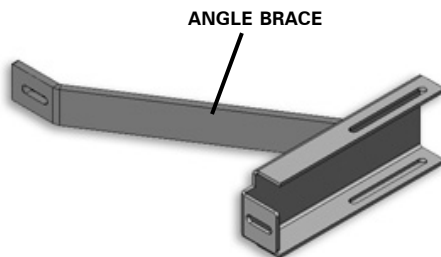
LEG (4 pieces)



LOCKING LEG CASTER
Optional for Pro-Motion™ products. (4 pieces)

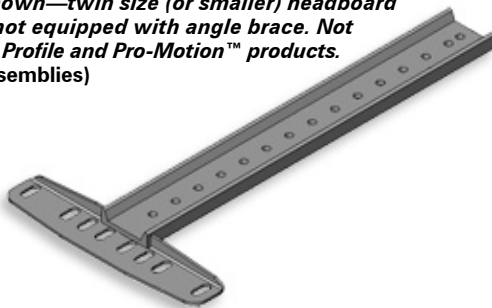


HAND CONTROL
(see *Hand Control Guide* for complete information)



ANGLE BRACE

HEADBOARD BRACKET ASSEMBLIES
Queen size shown—twin size (or smaller) headboard brackets are not equipped with angle brace. Not included with Profile and Pro-Motion™ products. (4 pieces, 2 assemblies)



**HEADBOARD BRACKET
HARDWARE KIT**
Not included with Profile and Pro-Motion™ products. (hardware: 16 pieces)



5 INCH ADJUSTABLE LEG
Standard for Silhouette™ and Optima products. (4 pieces for twin size, 6 pieces for full size or larger)

INSTALLATION

- Carefully Lift the bed base frame from the shipping carton, keeping the unit top-side-down.
- Install (4) legs into the base frame. Simply screw each leg into a tapped hole at each corner of the base frame (**FIGURE 1**). Insert casters into the bottom of each bed leg (if applicable).



FIGURE 1: PowerBASE™ leg installation. Caster installation (if applicable).

- Remove and extend out power cord from the protective packaging.

⚠ WARNING
POWER CORDS MUST NOT INTERFERE WITH ANY ADJUSTABLE BED MECHANISMS.

- For beds equipped with power down box, install (2) 9 volt batteries into the power down box (**FIGURES 2 and 3**). **Note: beds not equipped with power down box do not require batteries.**



FIGURE 2: Power down box battery compartment door removal.

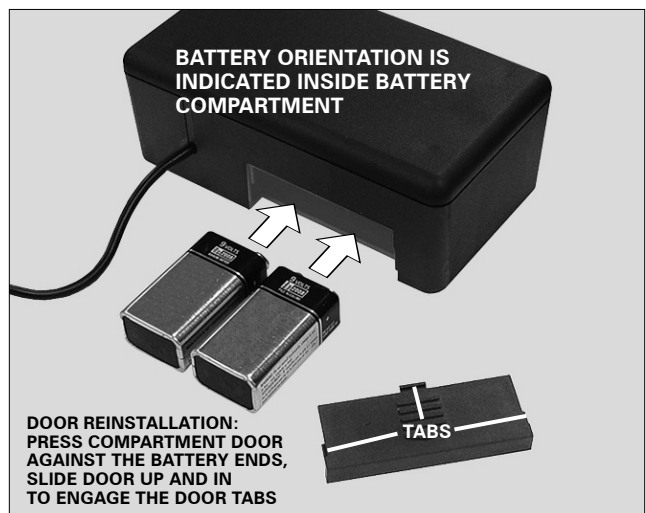


FIGURE 3: Power down box battery installation and battery compartment door reinstallation.

- Remove the plastic packaging from the bed base frame. Carefully rotate the base frame over to position the bed top-side-up.
- Plug power cord into a working, grounded electrical outlet. **Note: an electrical surge protection device is recommended (not included).**
- If hand control is non-wired type, Install batteries in hand control (wired hand controls do not require batteries). Briefly activate all functions of the bed with the hand control to verify all features are in working order. If bed does not operate, refer to the *Troubleshooting* section of this manual.
- Return bed to the level position.

INSTALLATION

10. Install mattress retainer as follows:

a. Install (1) cupped washer, (1) spacer and (1) flat washer on (4) mattress retainer bolts (FIGURE 4).

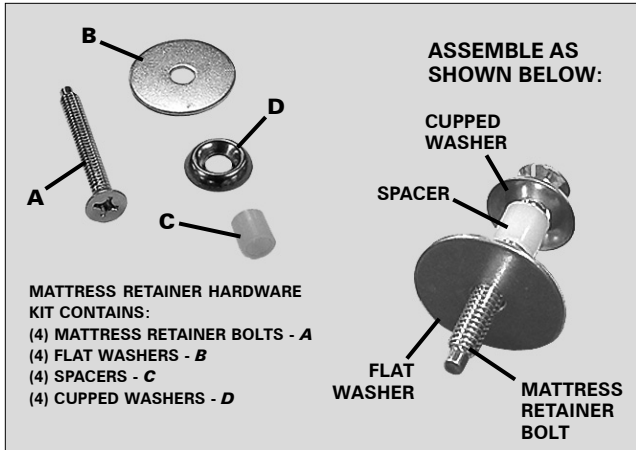


FIGURE 4: Mattress retainer hardware.

b. Install the mattress retainer bolts (loosely) into tapped holes in the foot section of the bed base frame (FIGURE 5).

c. Slide each U-shaped end of the mattress retainer around the mattress retainer bolts. Position the retainer ends between the spacer and the washer (FIGURE 5).

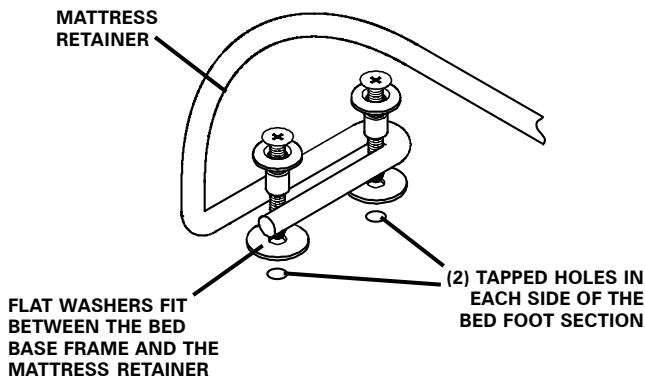


FIGURE 5: Mattress retainer installation



NOTE

DO NOT USE POWER SCREWDRIVER TO INSTALL MATTRESS RETAINER. DO NOT OVERTIGHTEN MATTRESS RETAINER HARDWARE!

d. Tighten screws to complete mattress retainer installation (FIGURE 6).

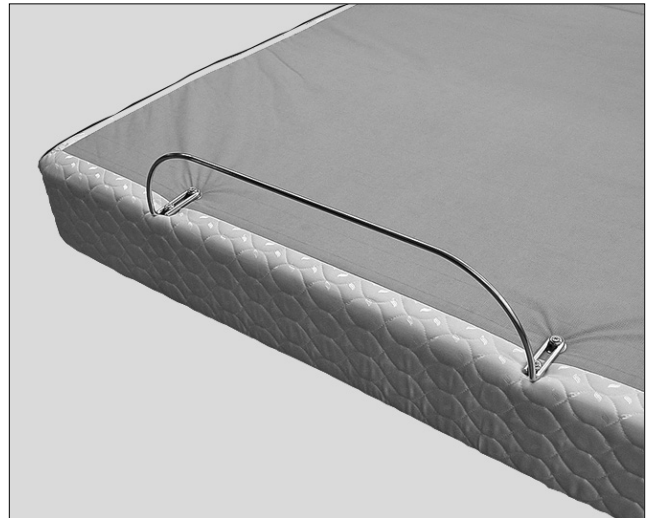


FIGURE 6: Typical mattress retainer installed.

Note: if adjustable bed is to be set up without a headboard, install mattress on the bed base frame and installation is complete. If headboard is to be installed, proceed per step 8 below.

11. Install headboard brackets to the bed base frame. When attaching (2) twin size units to a king size headboard, use a swing hinge kit (see accessory sheet) to connect the twin units.



NOTE

FAILURE TO FOLLOW HEADBOARD BRACKET INSTALLATION INSTRUCTIONS MAY CAUSE HEADBOARD BRACKET INTERFERENCE WITH BASE FOAM DURING ADJUSTABLE BED OPERATION. BASE FOAM OR BASE COVER DAMAGE COULD RESULT.

Note: it is important to position the bottom of the headboard cross member a maximum distance of 3 inches (76.2mm) between the headboard and the top of the mattress (FIGURE 7). Do not exceed 3 inches (76.2mm).

INSTALLATION

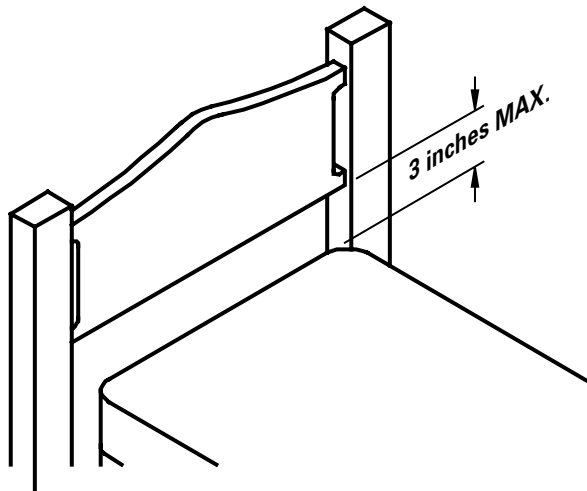


FIGURE 7: headboard cross member location must not exceed 3 inches (76.2mm) from the top of the mattress.

12. Install headboard bracket assemblies per the following procedure:
 - a. Raise the head section of the bed (with hand control) to gain access to the bed base frame.
 - b. Slide one headboard bracket channel onto one side of the bed base frame. Using (2) bolts/nuts (FIGURE 8) attach channel to base frame (FIGURE 9). Hand tighten bolts/nuts (loosely) to allow adjustment of the headboard bracket channels. Repeat procedure to install the other headboard bracket channel to the other side.

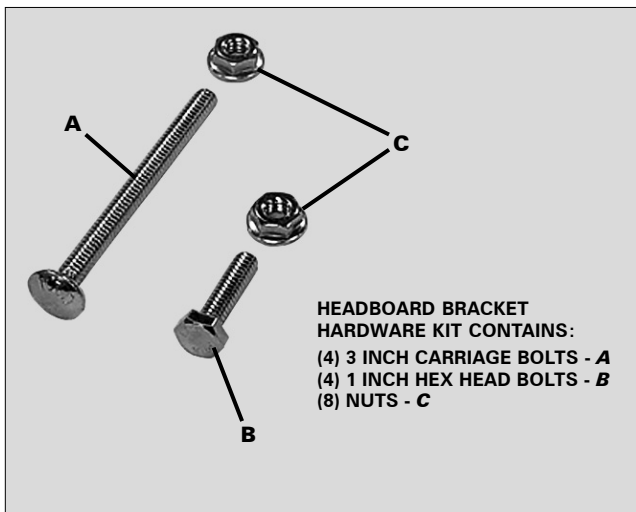


FIGURE 8: Headboard bracket hardware (not included with Pro-Motion™ and Profile products).

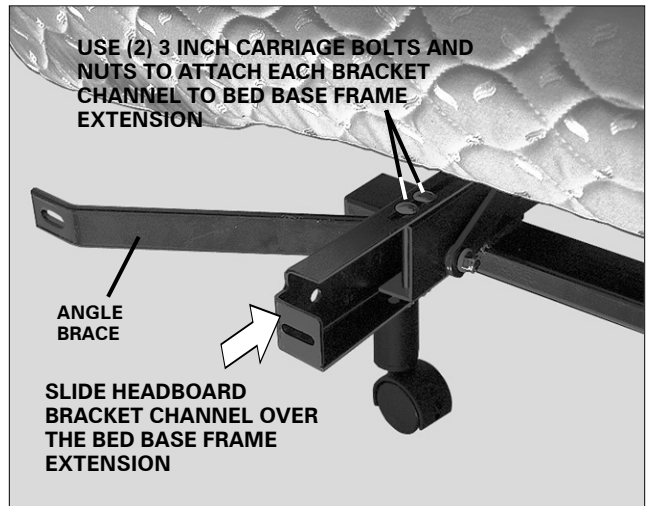


FIGURE 9: Headboard bracket channel installation (one each side of the head section of the bed).

- c. Attach one headboard bracket flange to one of the bracket channels with (2) bolts/nuts. (FIGURE 10) Tighten bolts. Repeat procedure to attach the other headboard bracket flange.

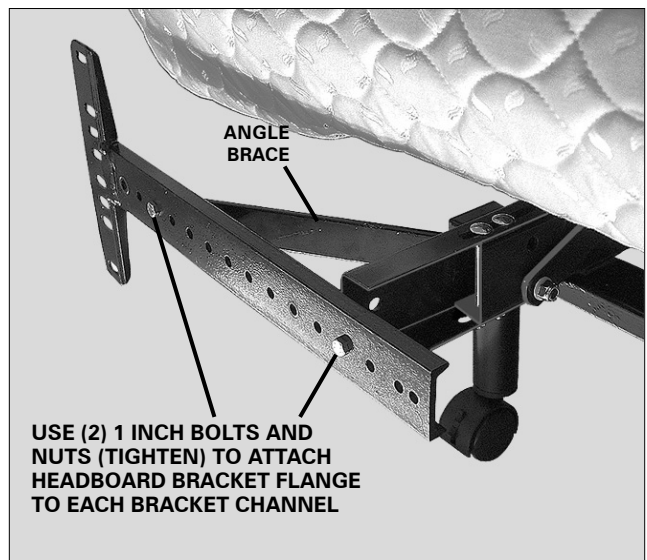


FIGURE 10: Headboard bracket flange installation (attach one flange to each of the headboard bracket channels).

NOTE

QUEEN SIZE HEADBOARD BRACKET ASSEMBLIES ARE SHOWN. TWIN SIZE HEADBOARD BRACKETS (OR SMALLER) ARE NOT EQUIPPED WITH ANGLE BRACE (FIGURES 9 and 10).

INSTALLATION

d. Slide headboard bracket assemblies (in or out) to achieve a distance of 1.5 inches (38.1mm) to 2 inches (50.8mm) between the edge of the bed base and headboard bracket flange assemblies (**FIGURE 11**).

e. Firmly tighten the 3 inch carriage bolts of both headboard bracket channels.

f. Measure the distance (center-to-center) between the mounting holes in the headboard.

g. Measure the center-to-center distance between the mounting slots of the headboard bracket flanges (**FIGURE 12**).

h. If bracket flange adjustment is required to accept the headboard, remove the 1 inch headboard bracket flange bolts and move

flanges side-to-side for the adjustment (**FIGURE 12**). Reinstall bolts and tighten.

i. Install headboard.

13. Install mattress on the bed base frame.

Typical PowerBASE installation is now complete. If bed is equipped with programmable settings or options, refer to the *Hand Control Guide* for programming information.

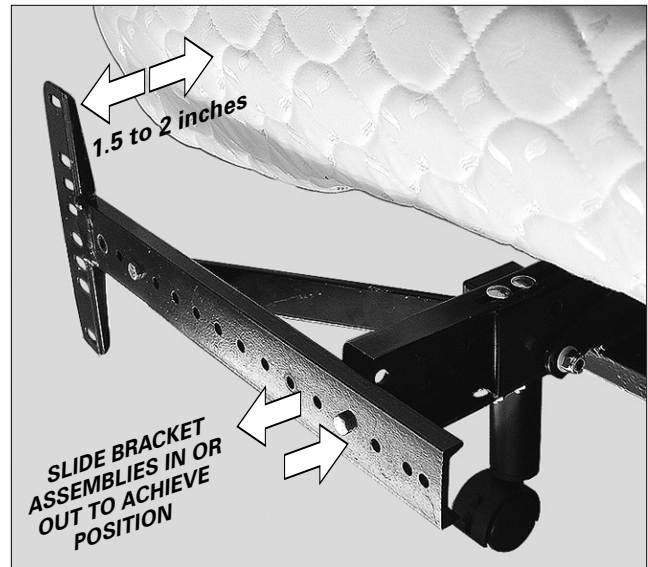


FIGURE 11: Headboard bracket position from the edge of the bed base frame.

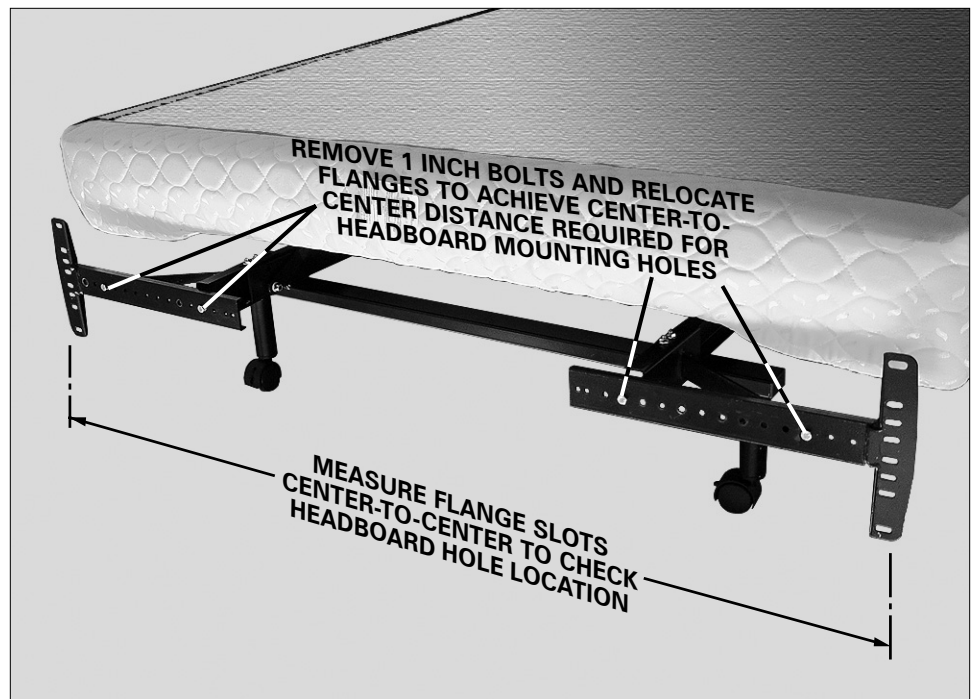


FIGURE 12: Headboard bracket measurement and adjustment to accept headboard.

TROUBLESHOOTING

In the event the PowerBASE adjustable bed fails to operate, investigate the symptoms and possible solutions provided in the chart below:

SYMPTOM	SOLUTION
Hand control illuminates and appears to be operable, but will not activate bed.	<ul style="list-style-type: none"> • Verify power cord is plugged into a working, grounded electrical outlet. <i>A grounded, electrical surge protection device is recommended.</i> Test outlet by plugging in another working appliance.
No features of the PowerBASE will activate.	<ul style="list-style-type: none"> • Program the hand control (see <i>Hand Control Guide</i>, included with this product, for programming procedures). If equipped with power down box, make certain power down box is easily accessible. Relocate power down box if required. • Unplug power cord, wait 45 seconds and plug in to reset electronic components. • Electrical circuit breaker may be tripped. check electrical service breaker box to verify. • Defective surge protection device or electrical outlet. Test outlet by plugging in another working appliance.
Hand control will not illuminate.	<ul style="list-style-type: none"> • Replace batteries in the hand control.
Head or foot section will elevate, but will not return to the horizontal (flat) position.	<ul style="list-style-type: none"> • Bed mechanism may be obstructed. Elevate bed and check for obstruction. Remove obstruction. • Head section may be too close to the wall. • Headboard may be too close the edge of the mattress. Verify a 1.5" (38.1mm) to 2" (50.8mm) distance between headboard brackets and mattress. Adjust if required.
Excessive massage motor noise.	<ul style="list-style-type: none"> • Verify headboard brackets were removed during installation. Remove headboard brackets if still attached to the underneath side of bed. • If bed is located on hard surface flooring, place carpet pieces or rubber caster cups under each leg or caster of the bed. (see accessory sheet, included with this product, for rubber caster cup order information). • Elevate the head or foot section a short distance (with the hand control) to realign the lift/lower mechanisms with the bed support platform. • Verify that bed is not positioned against a wall, nightstand, or other object that may cause vibration or noise. • If PowerBASE is installed over a bed frame, verify massage motors are not causing bed frame (or bed frame components) to vibrate. • Verify that headboard attachment hardware is tightened firmly (if used).