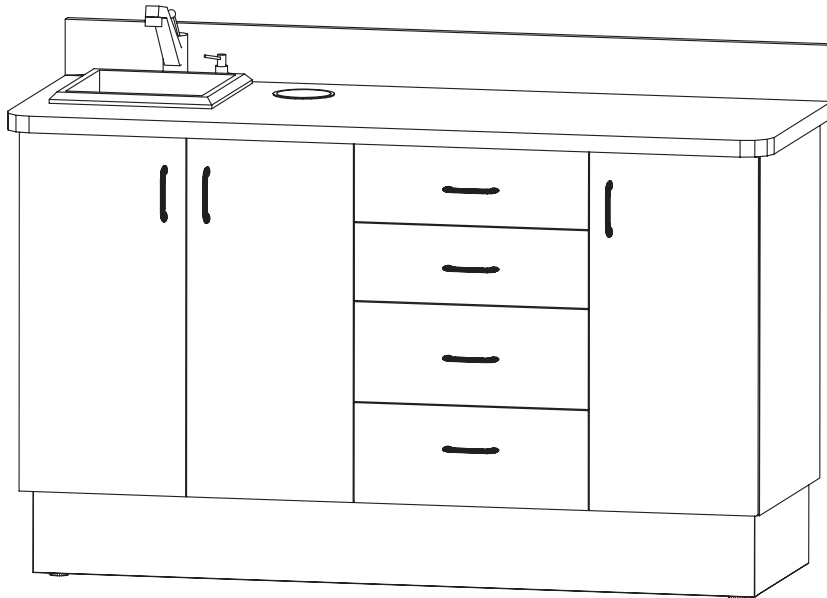


Installation Instructions & Owners Manual

**ECO-Sys Dental Cabinetry
Model: ECO-3**

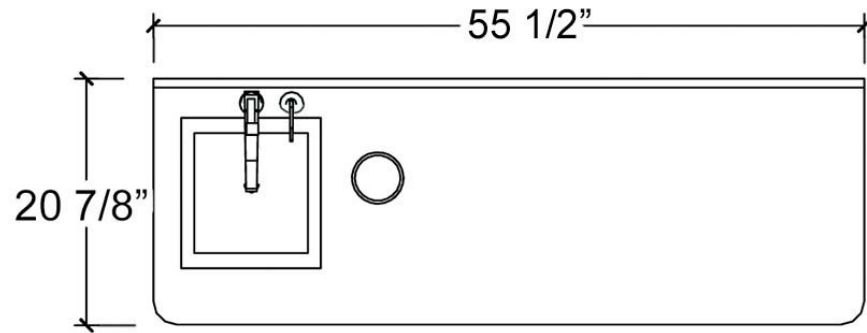


Consumer: Please retain these instructions for future use.

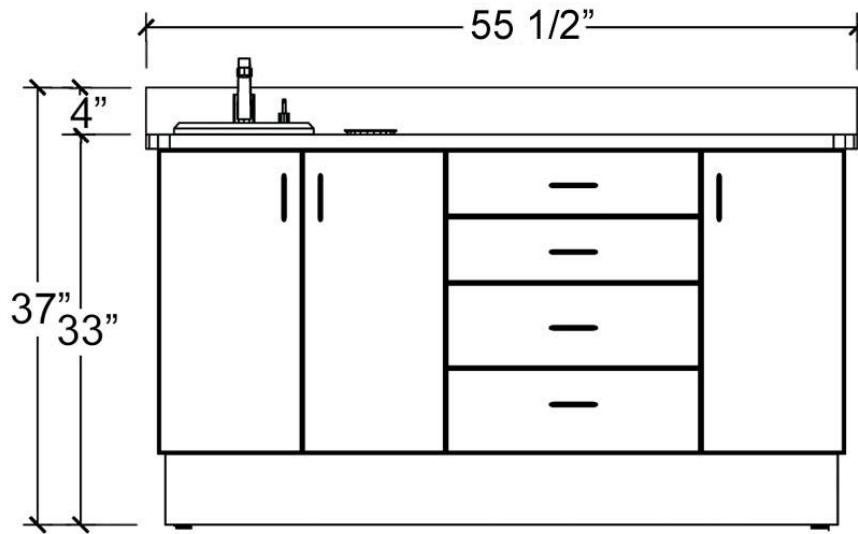
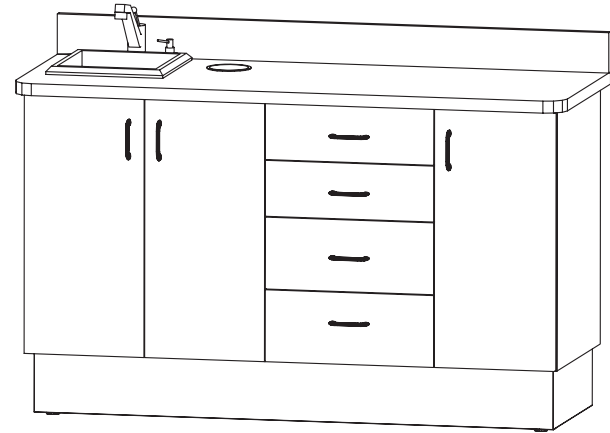
 **Belmont**

1631 Dr. Martin Luther King Drive
St. Louis, MO 63106
(314) 231-7383 (888) 833-3682
Fax (314) 621-2296
www.belmontequip.com

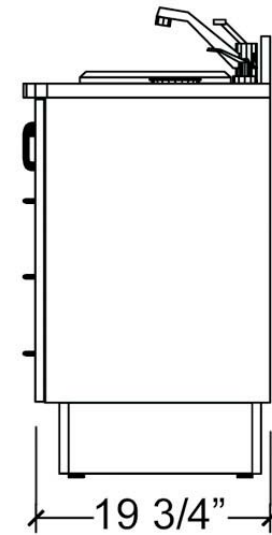
Description: ECO-3 SIDE CONSOLE



TOP VIEW



FRONT VIEW



RIGHT SIDE VIEW

Detail Drawings
Model: ECO-3

General Cabinet Handling Information

Models: ECO-3

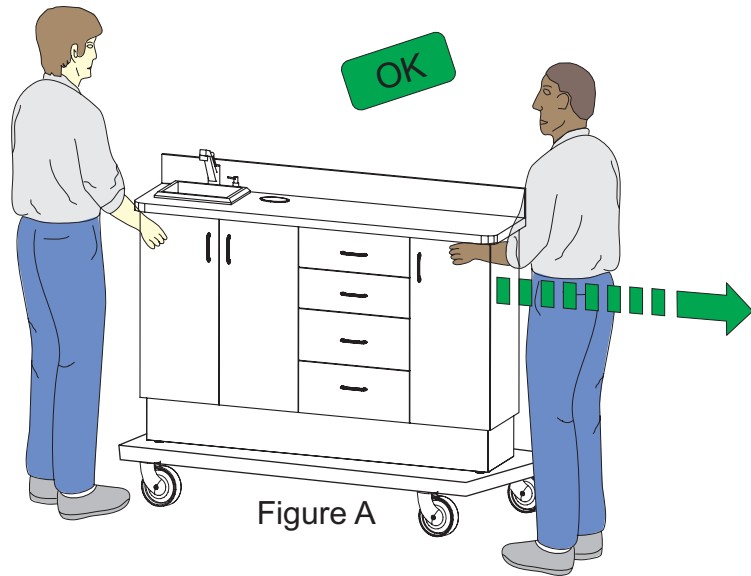


Figure A

Move by using some type of roller dolly, slings or a comparable moving aid. See Figure A and B.

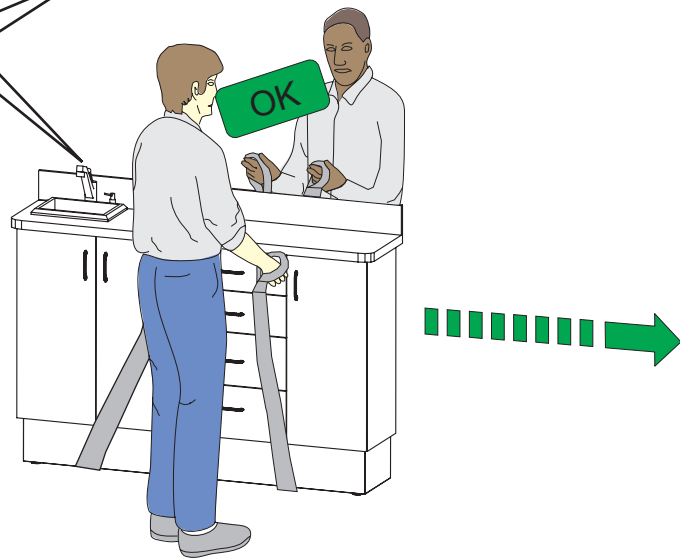


Figure B

ECO-Sys Cabinetry Systems

Laminate Surfaces Cleaning Instructions

The disinfectant solution should be applied in accordance with the instructions provided by the manufacturer.

The following solutions are recommended for laminate surfaces, they may also be used on metal and glass surfaces:

<u>Product</u>	<u>Manufacturer</u>
Birex®	Biotrol International
Kodak Clinasept	Kodak
Foaming Disinfectant	Catalogue #829-5230

Belmont is not responsible for any changes made by the manufacturer in the chemical composition of the cleaning solutions listed above, which may affect the surface finish after application.

Hinge Adjustments

Model: ECO-3

Adjustment Instructions for Concealed Hinges and Drawers

3-Dimension Adjustment for Snap-On Hinge

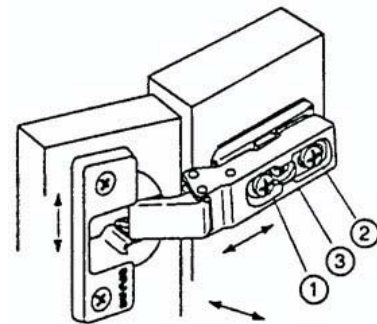
Note: Remove Cover Cap

Allows for three-way adjustments in the hinge arm.
The side adjustment is a micro adjustment. The depth and height adjustment is held by a grid system.

Use #2 POZIdrive screwdriver to adjust screws.

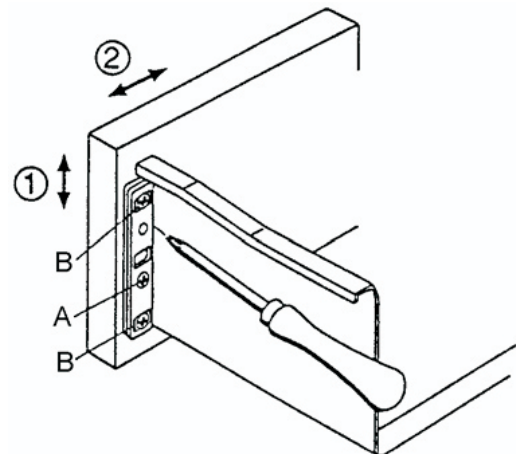
- 1 – Side adjustment
- 2 – Depth adjustment
- 3 – Height adjustment

Release Latch



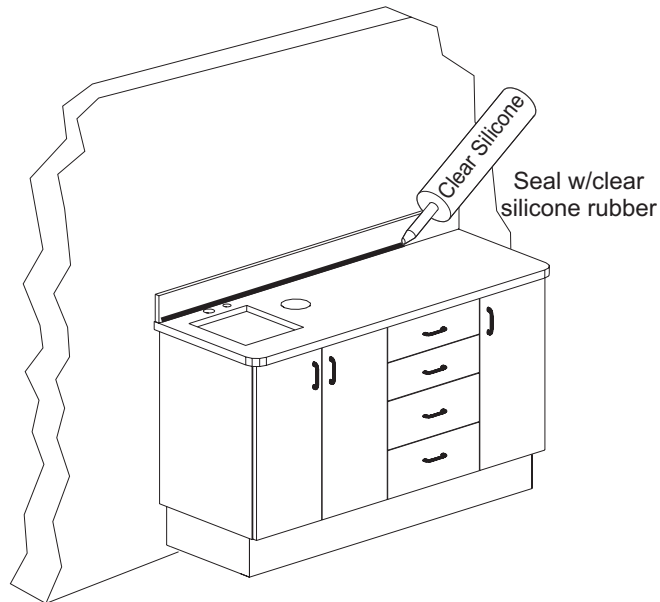
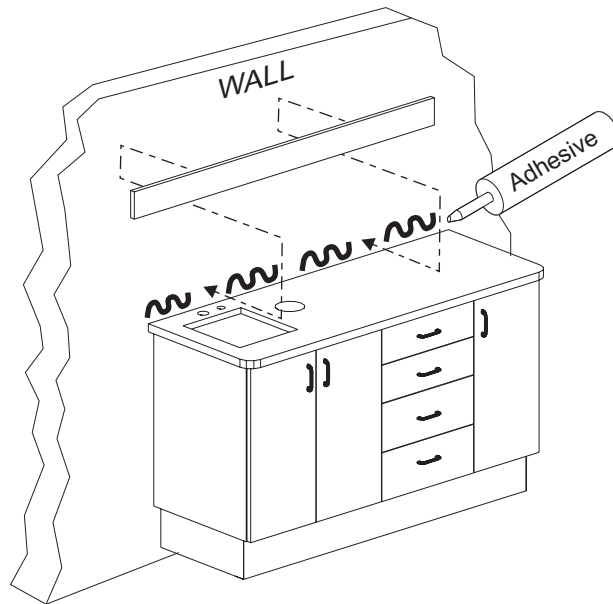
Adjustment for Drawer

- 1 – Height adjustment: Loosen screws **B** slightly. Adjust screw **A** (adjustment +/- 2mm). Tighten screws **B**.
- 2 - Side adjustment: Loosen screws **B** slightly. Adjust front to required position (adjustment range +/- 1.5mm). Tighten screws **B**.



Back Splash Mounting Model: ECO-3

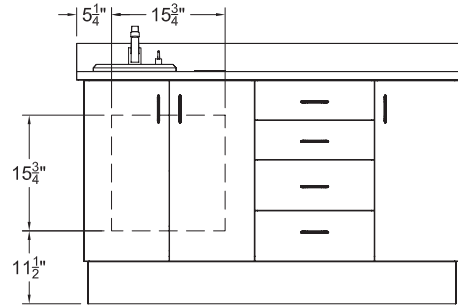
**Note: Test fit pieces
prior to glueing
into place**



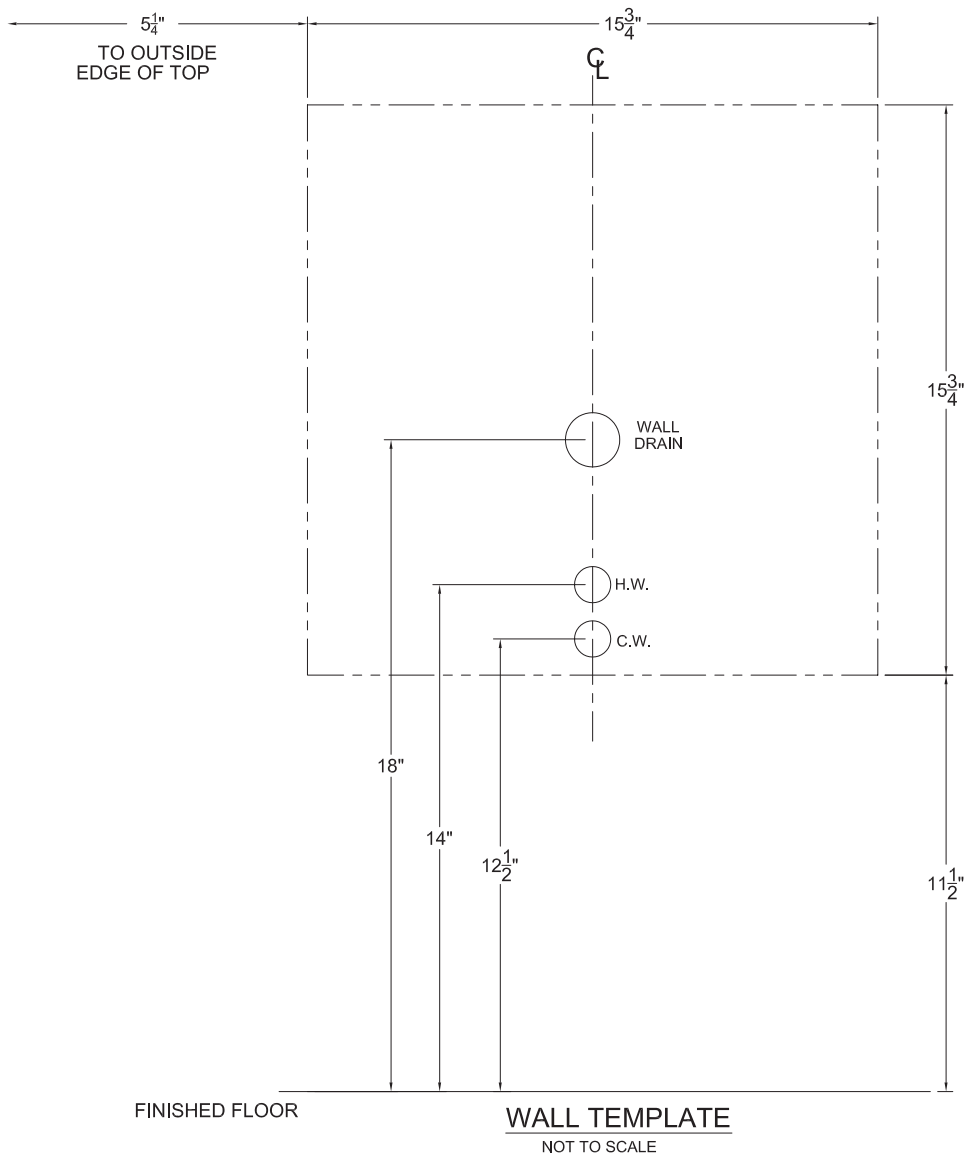
Wall Template

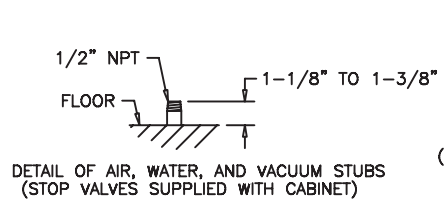
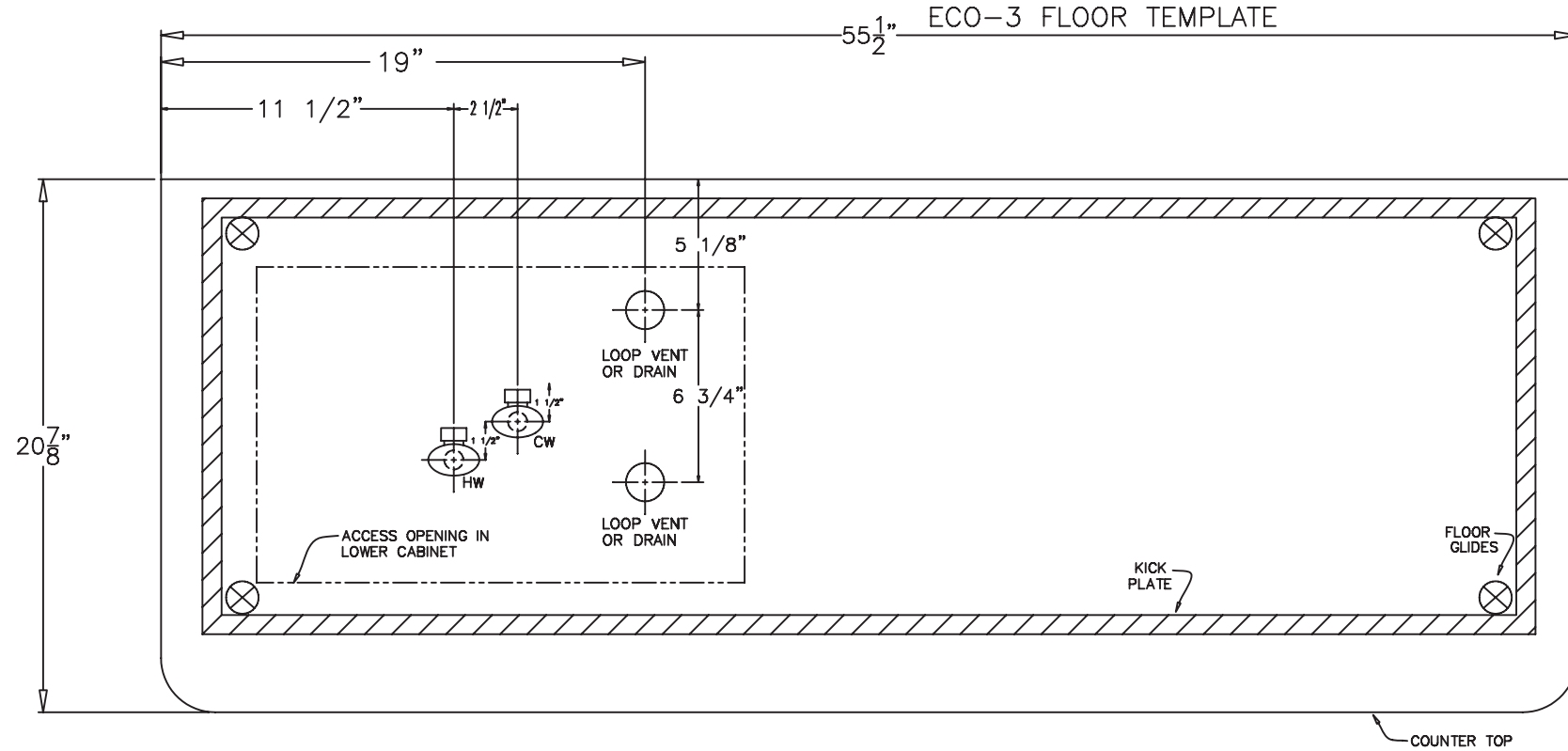
Model: ECO-3

ECO-3 WALL TEMPLATE REAR PLUMBING

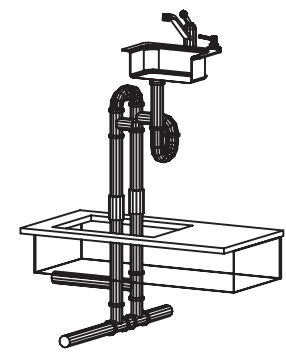
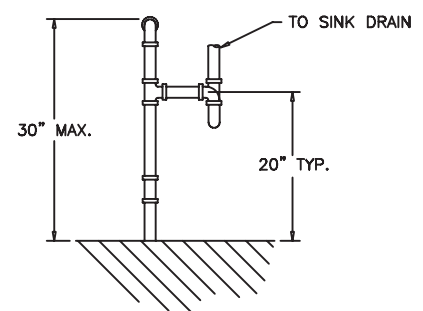
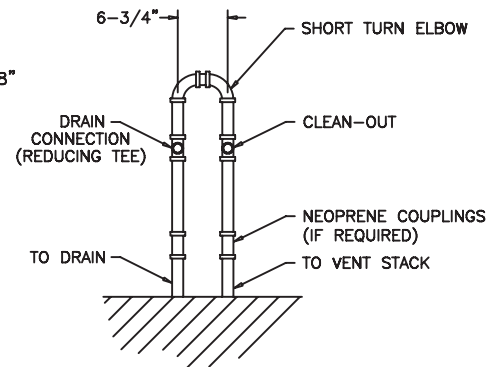


FRONT VIEW
NOT TO SCALE





PLUMBING NOTES
 1-1/2" DRAIN SHOWN; SIZE MAY VARY ACCORDING TO LOCAL CODE.
 IT IS THE RESPONSIBILITY OF THE INSTALLER TO CONFIRM THAT THE INSTALLATION MEETS LOCAL CODE WITH REGARD TO MATERIALS, VENTING, ETC.



Floor Template
 Model: ECO-3