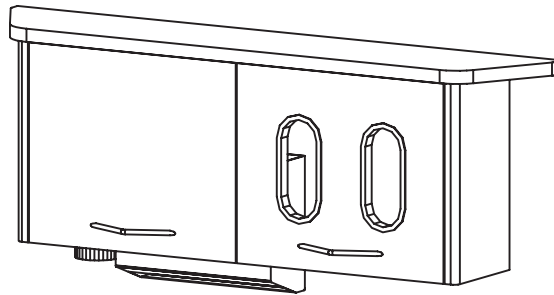


Installation Instructions & Owners Manual

**E-Series Dental Cabinetry
Model: E-2L**



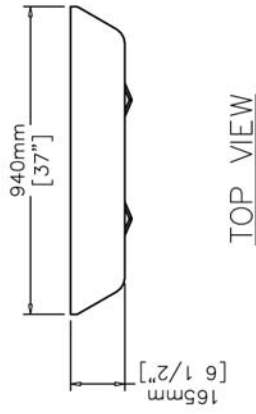
E-2L

Consumer: Please retain these instructions for future use.

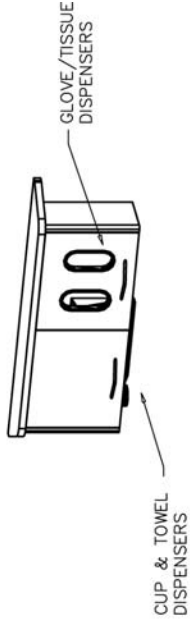
 **Belmont**

1631 Dr. Martin Luther King Drive
St. Louis, MO 63106
(314) 231-7383 (888) 833-3682
Fax (314) 621-2296
www.belmontequip.com

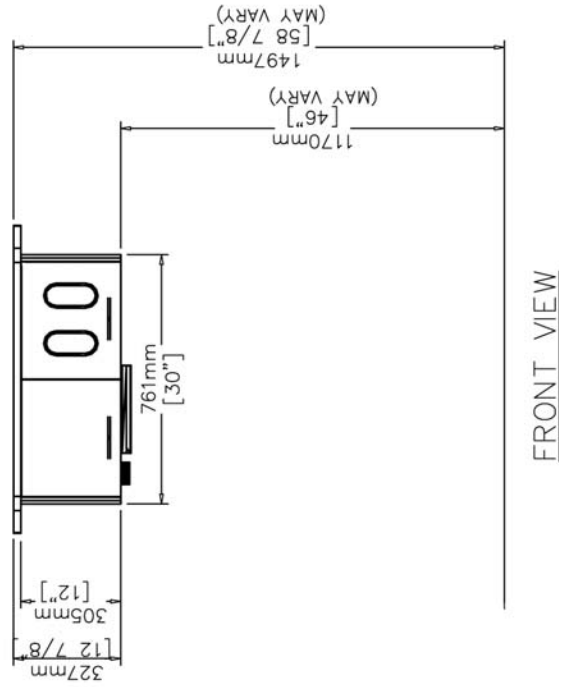
Description: E-2L LOWER WALL MOUNT STORAGE



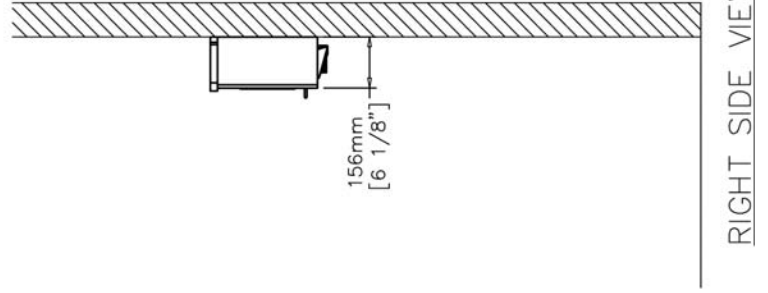
TOP VIEW



ISOMETRIC VIEW



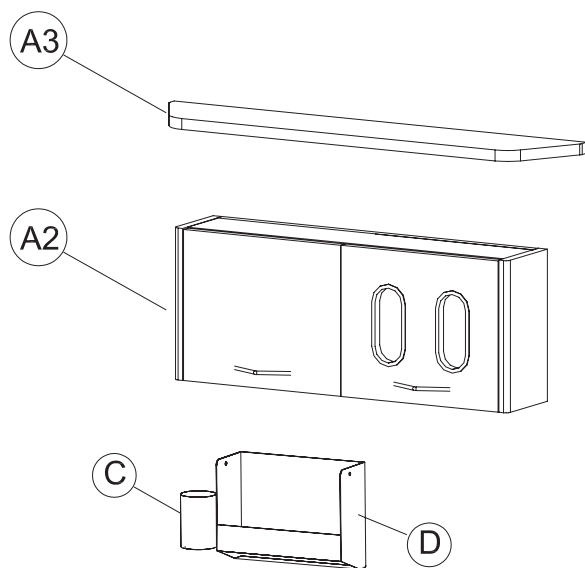
FRONT VIEW



RIGHT SIDE VIEW

Detail Drawings
Model: E-2L

E-2L With Cambria Top Assembly Instructions
Component Identification



Component Identification

- (A2) E-2L Wall Mount Storage Cabinet (Lower)
- (A3) E-2L Cambria Top
- (C) Cup Dispenser
- (D) Towel Dispenser

Assembly Instructions

Model: E-2L

Step 1

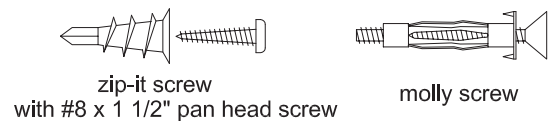
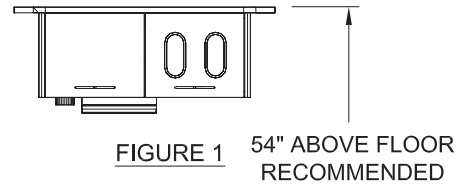
Locate where the cabinet is to be mounted on the wall. 54" from the floor to the top of the cabinet is the suggested location. See [Figure 1](#)

Open the doors and at the inside corners drill a 3/16" dia. hole through the back panel (this will be the wall mounting screw locations).

Important!

Before drilling the holes for the wall mounting you will need to decide how best to fasten it to the wall depending on the walls construction. Its recommended that you fasten into structural members where possible such as wood or metal studs. You may screw directly into studs with the appropriate screw type.

Mounting the cabinet to drywall only you may use the manufacturer recommended fasteners: (four zip-it screws with #8 x 1 1/2" pan head screws or four molly screws).



Step 2

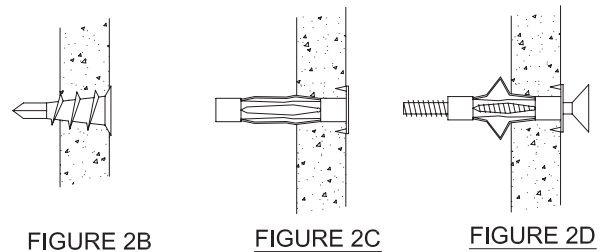
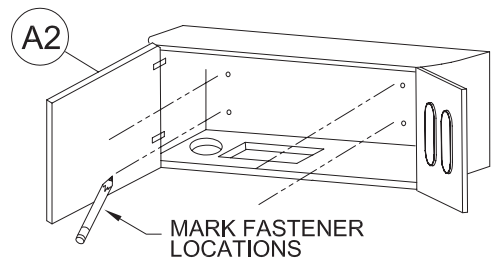
Hold cabinet (with an assistants help) up to the wall at the location to be mounted making sure it is level. Mark the wall through the (4) holes previously drilled.

If screwing directly into a structural member you may do so now by drilling small pilot holes for the appropriate screws. **Skip to Step 3.**

If you will be using zip-it or molly screws you will need to drill appropriate sized holes for the type of fastener at the locations marked.

Zip it screws: Drive the zip-it screws into hole locations until the top is flush with the drywall. See [Figure 2B](#).

Molly screws: Drill 3/8" holes into the drywall at desired locations and insert the molly inserts into the holes until the top is flush with the drywall. See [Figure 2C](#). Fully thread the molly screws into the molly inserts to compress & secure them to the drywall then remove the screws. See [Figure 2D](#).



Assembly Instructions

Model: E-2L

Step 3

If the glove/tissue & paper towel / cup dispensers need to be flipped to the opposite sides See Figure 3 refer to E-2U Dispenser Flipping Instructions. Perform this task now if so desired.

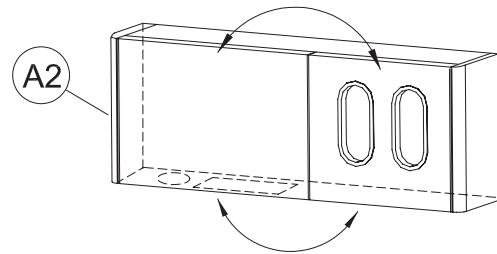


FIGURE 3

Step 4

To install handles you must drill thru the partially drilled (blind) holes in the inside face of the doors using a $\frac{7}{32}$ " dia. drill bit. See Figure 4A.

Note: Make sure at this point you have the proper configuration of which sides the cup/towel dispensers are located and the glove/tissue dispensers door location (always opposite the cup/towel cutout location).

Using the machine screws that come with the handles attach both handles to the doors. See Figure 4B.

Attach magnet strike plate to the glove dispenser door using (2) #6 x $\frac{5}{8}$ " screws and attach the magnet to the top panel using (2) #6 x $\frac{5}{8}$ " screws. See Figure 4C.

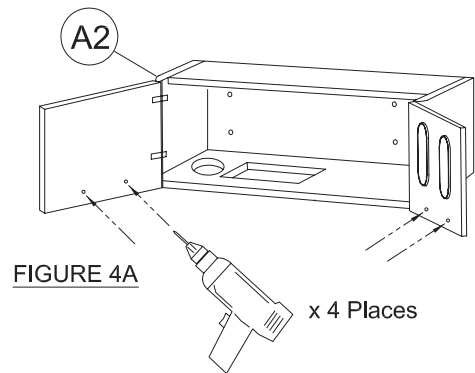


FIGURE 4A

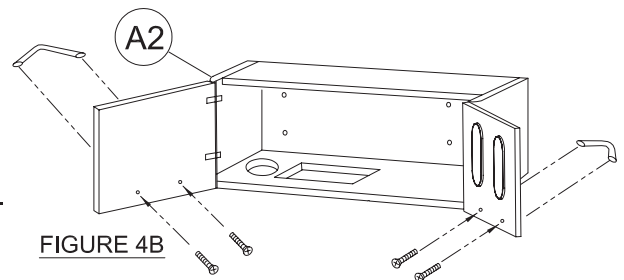
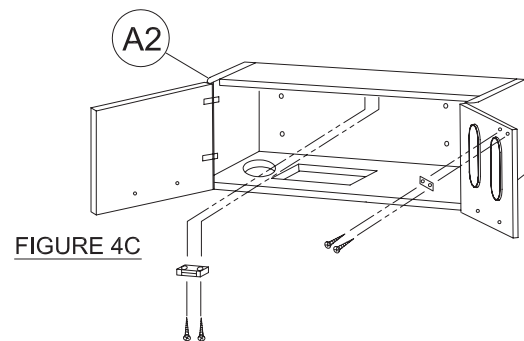


FIGURE 4C



Assembly Instructions

Model: E-2L

Step 5

Place the cabinet into location and drive fasteners through the holes and into the zip-it or molly inserts already mounted into wall or directly into the structural member if present. See Figure 5A.

If using the molly screws make sure you tighten the screws sufficiently for the molly inserts to properly grip drywall. See Figure 5B

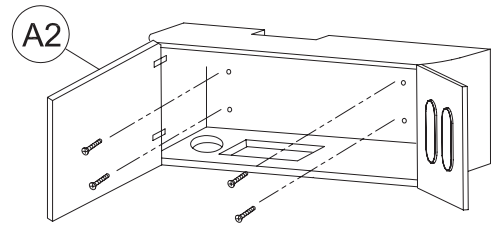


FIGURE 5A

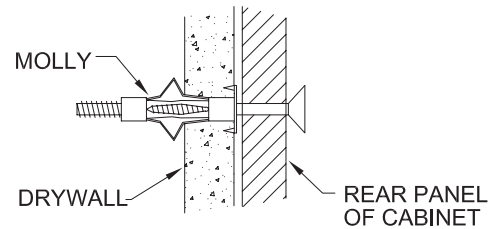


FIGURE 5B

Step 6

Using the provided silicone apply silicone to the top of the cabinet. Place the Cambria top onto the top of the cabinet and press down to properly seat the top. See Figure 6.

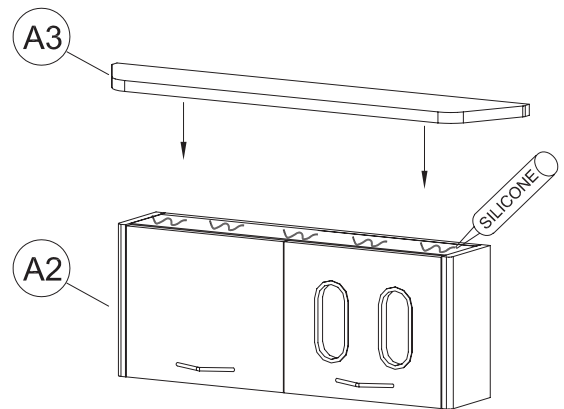


FIGURE 6

Step 7

Open the left door and insert the cup dispenser (C) through the hole and the towel dispenser (D) through the rectangular cutout. See Figure 7

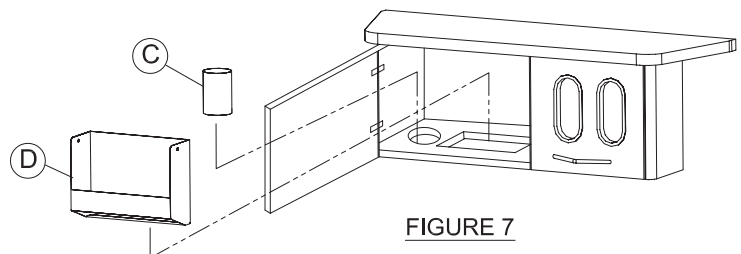


FIGURE 7

Installation Complete

Dispenser Flipping Assembly Instructions

Model: E-2L

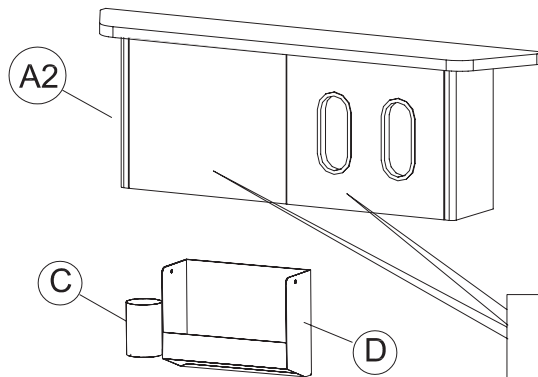
E-2L Dispenser Flipping Instructions

Component Identification



Note:

If the glove/tissue & paper towel / cup dispensers need to be flipped to the opposite sides use these instructions.



Door handles not shown.
If handles are already mounted you cannot flip the cup/towel dispenser and the glove/tissue dispenser due to the doors needing to be flipped causing the handles to be at the top instead of the bottom of the doors.

Component Identification

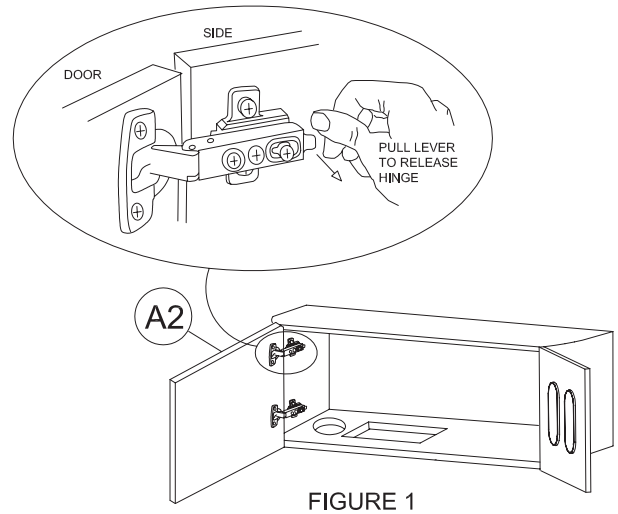
- Ⓐ E-2L Wall Mount Storage Cabinet (Lower)
- Ⓒ Cup Dispenser
- Ⓓ Towel Dispenser

Dispenser Flipping Assembly Instructions

Model: E-2L

Step 1

Remove doors by opening and pulling up on the tab at the end of each hinge base plate mounted on the inside of the cabinet. See Figure 1



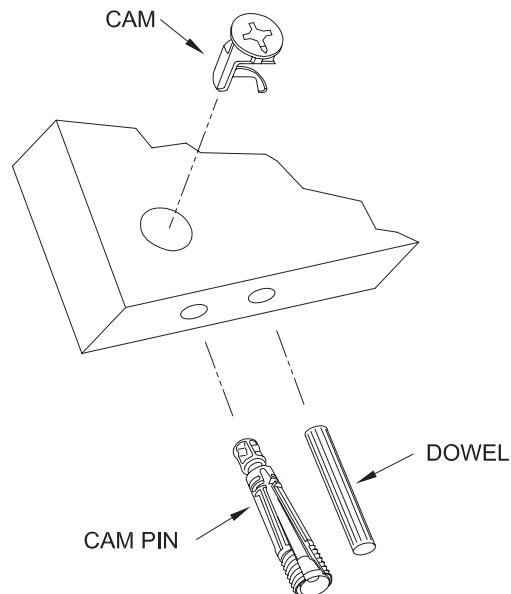
Step 2

From the back side of the cabinet turn (2) cams on only one end of cabinet counter clockwise approx $\frac{1}{2}$ turn. See Figure 2

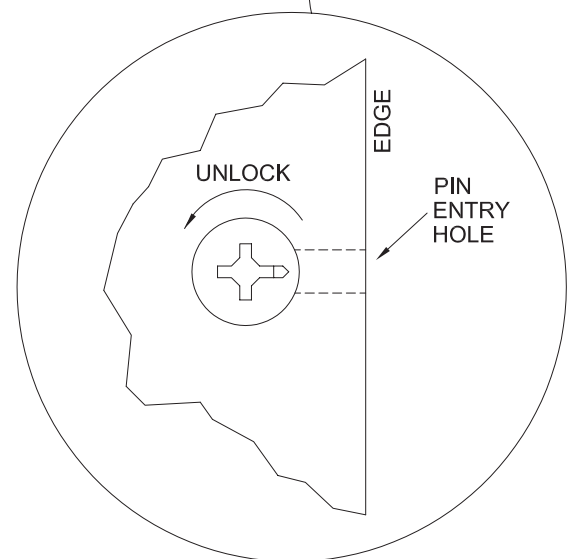


FIGURE 2

x 2 Places



TYPICAL CAM/PIN SETUP

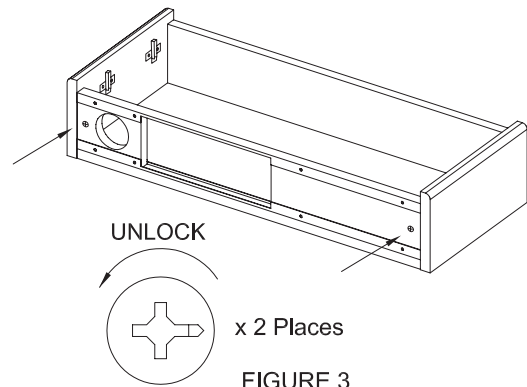


Dispenser Flipping Assembly Instructions

Model: E-2L

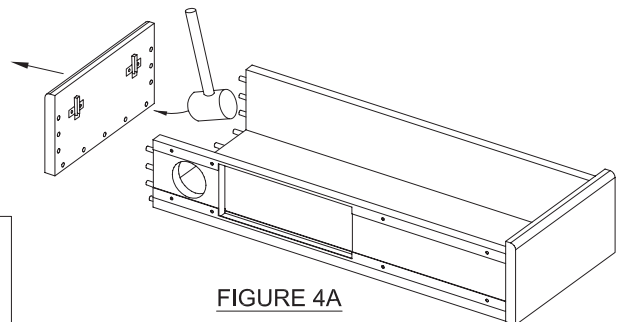
Step 3

With the cabinet laying on its back turn each of (2) cams on the bottom of the cabinet counter clockwise approx $\frac{1}{2}$ turn. See Figure 3

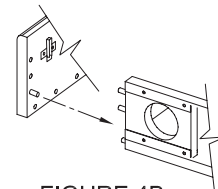


Step 4

Using a rubber mallet tap the end of the cabinet on the side that you earlier loosened the cams on the backside See Figure 4A. Remove end panel.



Make sure the cam pin and dowels remain seated in the main body and do not come off with the end panel you remove. If they remain intact within the end panel remove them and insert them into the proper related hole within the main body. See Figure 4B.

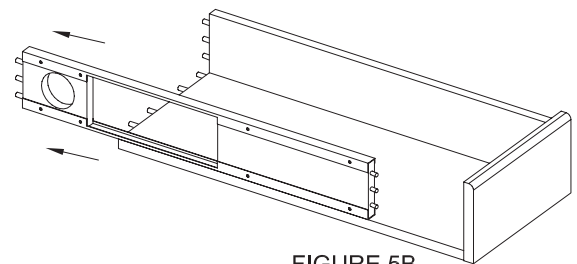
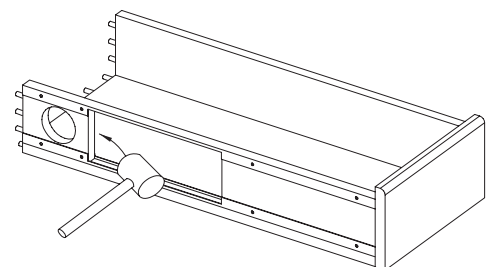


Step 5

Using a rubber mallet tap bottom piece outwards to the open end. See Figure 5A.

Remove the bottom piece from the main body. See Figure 5B.

Make sure the cam pin and dowels remain seated in the bottom piece being removed and do not come off in the end panel. If they remain intact within the end panel remove them and insert them into the proper related hole within the main body as mentioned in Step 4.



Dispenser Flipping Assembly Instructions

Model: E-2L

Step 6

Flip bottom piece around 180° See Figure 6A.
And set into position making sure to align the cam pins
and dowels into the proper holes.

Once in position use the rubber mallet to properly seat all
cams/pins. See Figure 6B.

NOTE:

THE ORDER IN WHICH THE QUICKFIT CAM AND PIN GO TOGETHER
IS VERY IMPORTANT. INSTALL THE CAMS INTO THE BOARD WITH THE
PHILLIPS SLOT FACING UP AND THE ARROW POINTING TO THE EDGE,
THEN INSERT THE PIN INTO THE CAM. IF THE CAM AND PIN ARE NOT
ASSEMBLED IN THIS MANNER IT WILL NOT CLAMP THE BOARDS TIGHTLY.

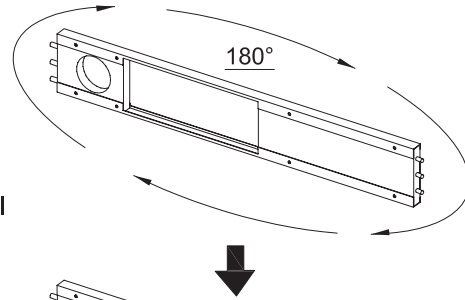


FIGURE 6A

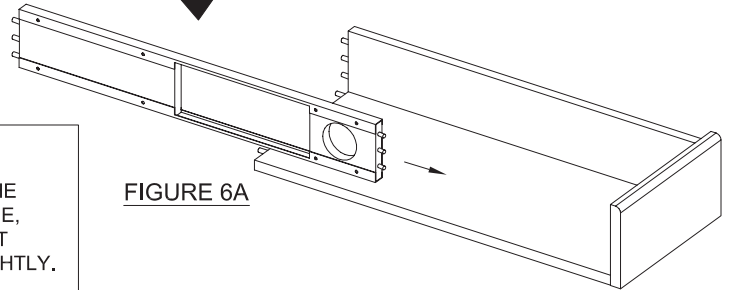


FIGURE 6B

Step 7

Set the end panel into position and tap into place using the
rubber mallet. See Figure 7.

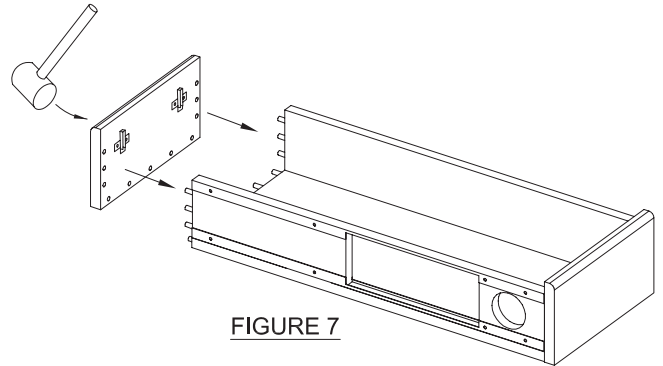


FIGURE 7

Step 8

Lock both cams into position at the bottom pieces left and
right end by turning clockwise approx $\frac{1}{2}$ turn. See Figure 8.

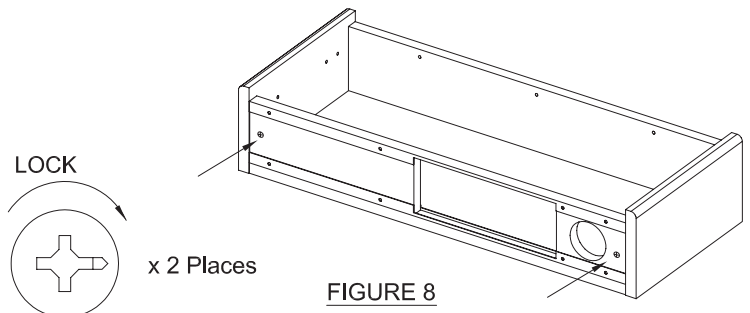


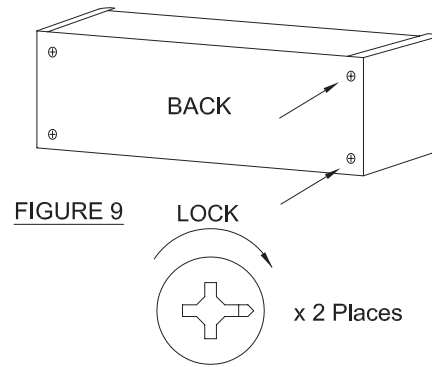
FIGURE 8

Dispenser Flipping Assembly Instructions

Model: E-2

Step 9

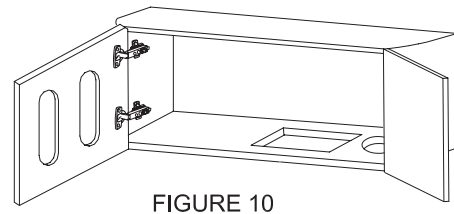
From the back side of the cabinet turn (2) cams (the ones loosened in step 2) clockwise approx $\frac{1}{2}$ turn. See Figure 9



Step 10

Mount the doors on the opposite ends they were removed from in Step 1. Replace the doors by lining up the hinge and hinge plate then snap the hinge in place. See separate instruction page regarding adjusting the hinges if the doors are not properly aligned.

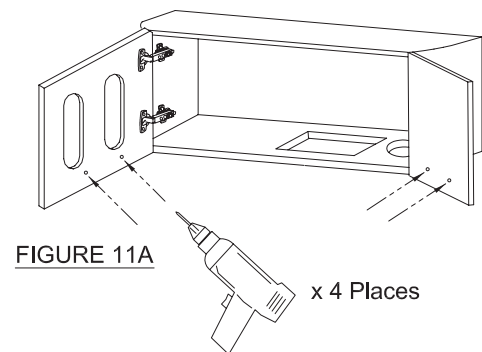
The door with the glove/tissue opening should be opposite of the cutouts for the cup/towel dispenser. See Figure 10.



Door handles may be installed at this point (continue w/Step 11) or if you were referred to this instruction set by another set of instructions you may return to that set of instructions and continue with latest step completed.

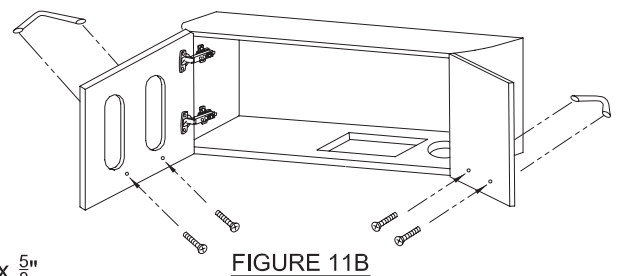
Step 11

To install handles you must drill thru the partially drilled (blind) holes in the inside face of the doors using a $\frac{7}{32}$ " dia. drill bit. See Figure 11A.

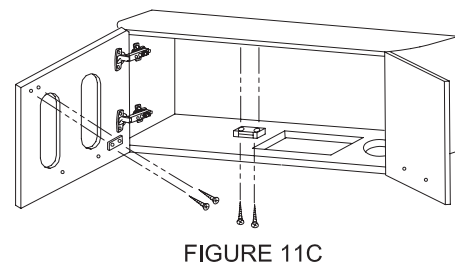


Note: Make sure at this point you have the proper configuration of which sides the cup/towel dispensers are located and the glove/tissue dispensers door location (always opposite the cup/towel cutout location).

Using the machine screws that come with the handles attach both handles to the doors. See Figure 11B.



Attach magnet strike plate to the glove dispenser door using (2) #6 x $\frac{5}{8}$ " screws and attach the magnet to the top panel using (2) #6 x $\frac{5}{8}$ " screws. See Figure 11C.



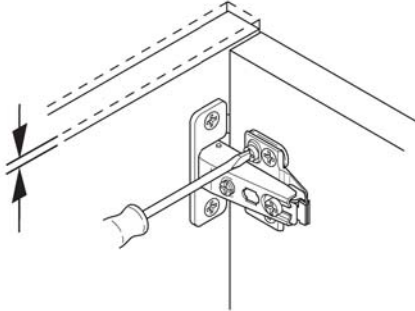
Installation Complete

Hinge Adjustments

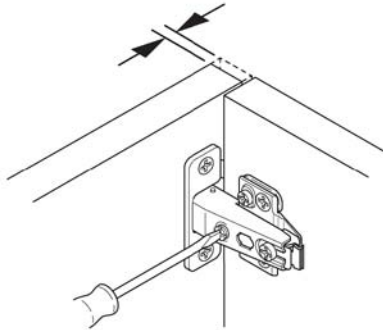
Model: E-2L

Hinge Adjustment For Standard Doors

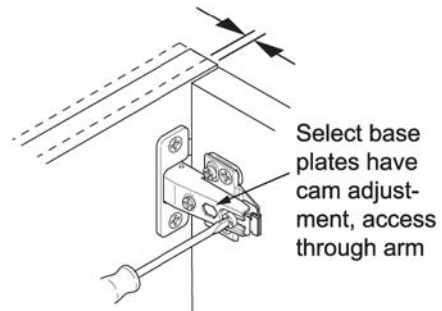
Height



Side



Depth



Quolis® Cabinetry Systems

Laminate Surfaces Cleaning Instructions

The disinfectant solution should be applied in accordance with the instructions provided by the manufacturer.

The following solutions are recommended for laminate surfaces, they may also be used on metal and glass surfaces:

<u>Product</u>	<u>Manufacturer</u>
Birex®	Biotrol International
Kodak Clinasept	Kodak
Foaming Disinfectant	Catalogue #829-5230

Belmont is not responsible for any changes made by the manufacturer in the chemical composition of the cleaning solutions listed above, which may affect the surface finish after application.

Cambria™ Quartz Surface Cleaning/Care/Maintenance

Cambria™ is care free therefore no sealing, buffing, polishing or reconditioning is required. Using soap and water is sufficient to clean the Cambria™ Quartz surface.