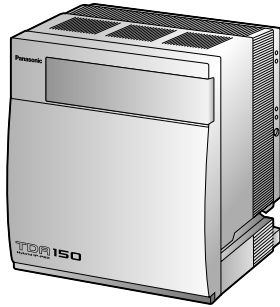


Panasonic®



Installation Manual Hybrid IP-PBX

Model No. **KX-TDA150**



Thank you for purchasing a Panasonic Hybrid IP-PBX.
Please read this manual carefully before using this product and save this manual for future use.

KX-TDA150: PDMPR Software File Version 5.1000 or later



SD Logo is
a trademark of
SD-3C, LLC.

System Components

System Components Table

| Category | Model No. | Description |
|-----------------------------|---------------------|----------------------------------------------------------------------------------------|
| Shelf | KX-TDA150 | Basic Shelf |
| Main Processing Card | | Main Processing Card (DMPR) |
| DMPR Option Card | KX-TDA0196 | Remote Card (RMT) |
| Trunk Cards | KX-TDA0180 | 8-Port Analogue Trunk Card (LCOT8) |
| | KX-TDA0181 | 16-Port Analogue Trunk Card (LCOT16) |
| | KX-TDA0182 | 8-Port DID Card (DID8) |
| | KX-TDA0183 | 4-Port Analogue Trunk Card (LCOT4) |
| | KX-TDA0184 | 8-Port E & M Trunk Card (E&M8) |
| | KX-TDA0187 | T-1 Trunk Card (T1) |
| | KX-TDA0188 | E-1 Trunk Card (E1) |
| | KX-TDA0189 | 8-Port Caller ID/Pay Tone Card (CID/PAY8) |
| | KX-TDA0193 | 8-Port Caller ID Card (CID8) |
| | KX-TDA0284 | 4-Port BRI Card (BRI4) |
| | KX-TDA0288 | 8-Port BRI Card (BRI8) |
| | KX-TDA0290CE/ CJ | PRI Card (PRI30) |
| | KX-TDA0290 | PRI Card (PRI23) |
| | KX-TDA0484 | 4-Channel VoIP Gateway Card (IP-GW4E) |
| | KX-TDA0490 | 16-Channel VoIP Gateway Card (IP-GW16) |
| | KX-TDA1180 | 8-Port Analogue Trunk Card with CID (CLCOT8) |
| | KX-TDA1186 | 8-Port Analogue Trunk with Caller ID Daughter Card (CLCOT8E) |
| Extension Cards | KX-TDA0143 | 4 Cell Station Interface Card (CSIF4) |
| | KX-TDA0144 | 8 Cell Station Interface Card (CSIF8) |
| | KX-TDA0171 | 8-Port Digital Extension Card (DLC8) |
| | KX-TDA0172 | 16-Port Digital Extension Card (DLC16) |
| | KX-TDA0470 | 16-Channel VoIP Extension Card (IP-EXT16) |
| | KX-TDA1176 | 16-Port Single Line Telephone Extension with Caller ID and Message Lamp Card (MCSLC16) |
| | KX-TDA1178 | 24-Port Single Line Telephone Extension with Caller ID and Message Lamp Card (MCSLC24) |

| Category | Model No. | Description |
|--------------------------------|------------|---------------------------------------------------------|
| Other Cards | KX-TDA0161 | 4-Port Doorphone Card (DPH4) |
| | KX-TDA0162 | 2-Port Doorphone Card (German Type) (DPH2) |
| | KX-TDA0164 | 4-Port External Input/Output Card (EIO4) |
| | KX-TDA0166 | 16-Channel Echo Canceller Card (ECHO16) |
| | KX-TDA0190 | Optional 3-Slot Base Card (OPB3) |
| | KX-TDA0191 | 4-Channel Message Card (MSG4) |
| | KX-TDA0192 | 2-Channel Simplified Voice Message Card (ESVM2) |
| | KX-TDA0194 | 4-Channel Simplified Voice Message Card (ESVM4) |
| | KX-TDA0410 | CTI Link Card (CTI-LINK) |
| Optional SD Memory Card | KX-TDA0920 | SD Memory Card for Software Upgrade to Enhanced Version |
| Proprietary Equipment | KX-A228 | Back-up Battery Cable |
| | KX-A258 | Blank Slot Cover |
| | KX-T30865 | Doorphone |
| | KX-T7765 | |

Equipment Compatibility

Compatible Panasonic Proprietary Telephones

The PBX supports the following telephones:

- Digital proprietary telephones (e.g., KX-DT300 series)
- IP proprietary telephones (e.g., KX-NT300 series)
- DSS consoles (e.g., KX-DT390)
- Single line telephones (e.g., KX-T7710)

Incompatible Panasonic Proprietary Telephones

The PBX does not support the following telephones:

- KX-T7400 series digital proprietary telephones
- KX-T7500 series digital proprietary telephones
- Analogue proprietary telephones (e.g., KX-T7700 series)
- KX-T30800 series proprietary telephones and DSS consoles
- KX-T61600 series proprietary telephones and DSS consoles
- KX-T123200 series proprietary telephones and DSS consoles

Note

- For the equipment (e.g., Add-on Key Module, USB Module, Headset) that can be connected to a particular telephone, refer to the telephone's manual.
- For other equipment that can be connected to the PBX, refer to "1.1.2 System Connection Diagram".

Notice

- Under power failure conditions, the connected telephones may not operate. Please ensure that a separate telephone, not dependent on local power, is available for emergency use.
- Prior to connection of this product, please verify that the intended operating environment is supported. Satisfactory performance cannot be guaranteed for the following:
 - interoperability and compatibility with all devices and systems connected to this product
 - proper operation and compatibility with services provided by telecommunications companies over connected networks

Note

- Some optional hardware, software, and features are not available in some countries/areas. Please consult your certified Panasonic dealer for more information.
- In this manual, the suffix of each model number (e.g., KX-TDA150**BR**) is omitted unless necessary.

Safety Notices

Please observe the safety notices in this manual in order to avoid danger to users or other people, and prevent damage to property.

The notices are classified as follows, according to the severity of injury or damage:

| | |
|-----------------------|-----------------------------------------------------------------------------|
| <u>WARNING</u> | This notice means that misuse could result in death or serious injury. |
| <u>CAUTION</u> | This notice means that misuse could result in injury or damage to property. |

List of Abbreviations

- DPT → Digital proprietary telephone
- IP-PT → IP proprietary telephone
- PS → Portable station
- PT → Proprietary telephone
- SLT → Single line telephone

Important Safety Instructions

When using your telephone equipment, basic safety precautions should always be followed to reduce the risk of fire, electric shock and injury to persons, including the following:

- Do not use the product near water, for example, near a bathtub, wash bowl, kitchen sink, or laundry tub, in a wet basement, or near a swimming pool.
- Avoid using wired telephones during an electrical storm. There is a remote risk of electric shock from lightning.
- Do not use a telephone in the vicinity of a gas leak to report the leak.

SAVE THESE INSTRUCTIONS

Important Information

SAVE THESE INSTRUCTIONS

WARNING

SAFETY REQUIREMENTS

For All Telephone Equipment

- Do not install the product in any other way than described in relevant manuals.
- The product must only be installed and serviced by qualified service personnel. The product should be used as-is from the time of purchase; it should not be disassembled or modified. Disassembly or modification can cause a fire, electric shock, or damage to the product.
- Do not install the product in a place exposed to rain or moisture, or a place where water, oil, or other liquids can drip or splash onto on the product. Such conditions can lead to fire or electric shock, and may impair the performance of the product.
- Follow all warnings and instructions marked on the product.
- Do not place the product on an unstable or uneven surface. If the product were to fall over, it may cause injury or damage to the product.
- Products that require a power source should only be connected to the type of electrical power supply specified on the product label. If you are not sure of the type of power supply to your home, consult your dealer or local power company.
- For safety purposes some products are equipped with an earthed plug. If you do not have an earthed outlet, please have one installed. Do not bypass this safety feature by tampering with the plug.
- Do not supply power to a combination of devices that exceeds the total rated capacity of the wall outlets or extension cables used. If outlets, power strips, extension cords, etc. are used in a manner that exceeds their rated capacity, they emit large amounts of heat, which could cause a fire.
- Unplug the product from the wall outlet and have it serviced by qualified service personnel in the following cases:
 - a. When the power supply cord or plug is damaged or frayed.
 - b. If liquid has been spilled into the product.
 - c. If the product has been exposed to rain or water.
 - d. If the product does not operate according to the operating instructions. Adjust only the controls that are explained in the operating instructions. Improper adjustment of other controls may result in damage and may require service by a qualified technician to restore the product to normal operation.
 - e. If the product has been dropped or the cabinet has been damaged.
 - f. If product performance deteriorates.

For the PBX

- If damage to the unit exposes any internal parts, disconnect the power supply cord immediately and return the unit to your dealer.
- To prevent fires, electric shock, injury, or damage to the product, be sure to follow these guidelines when performing any wiring or cabling:
 - a. Before performing any wiring or cabling, unplug the product's power cord from the outlet. After completing all wiring and cabling, plug the power cord back into the outlet.
 - b. When laying cables, do not bundle the product's power cord with the power cords of other devices.
 - c. Do not place any objects on top of the cables connected to the PBX.
 - d. When running cables along the floor, use protectors to prevent the cables from being stepped on.
 - e. Do not run any cables under carpeting.

- Unplug this unit from the AC outlet if it emits smoke, an abnormal smell or makes unusual noise. These conditions can cause fire or electric shock. Confirm that smoke has stopped and contact an authorised Panasonic Factory Service Centre.
- Danger of explosion exists if a battery is incorrectly replaced. Replace only with the same or equivalent type recommended by the battery manufacturer. Dispose of used batteries according to the manufacturer's instructions.
- Make sure that the wall that the shelf will be attached to is strong enough to support the shelf. If not, it is necessary for the wall to be reinforced.
- Only use the wall-mounting equipment (anchor plugs, screws, metal bracket) included with the PBX.
- Do not insert objects of any kind into this product, as they may touch dangerous voltage points or short out parts that could result in a fire or electric shock.

CAUTION

SAFETY REQUIREMENTS

For All Telephone Equipment

- The product should be kept free of dust, moisture, high temperature (more than 40 °C) and vibration, and should not be exposed to direct sunlight.
- Unplug the product from the wall outlet before cleaning. Wipe the product with a soft cloth. Do not clean with abrasive powders or with chemical agents such as benzene or thinner. Do not use liquid cleaners or aerosol cleaners.

For the PBX

- Before touching the product (PBX, cards, etc.), discharge static electricity by touching ground or wearing an earthing strap. Failure to do so may cause the PBX to malfunction due to static electricity.
- When driving the screws into the wall, be careful to avoid touching any metal laths, wire laths or metal plates in the wall.
- When relocating the equipment, first disconnect the telecom connection before disconnecting the power connection. When the unit is installed in the new location, reconnect the power first, and then reconnect the telecom connection.
- The power supply cord is used as the main disconnect device. Ensure that the AC outlet is located near the equipment and is easily accessible.
- The SD Memory Card poses a choking hazard. Keep the SD Memory Card out of reach of children.
- Slots and openings in the front, back and bottom of the cabinet are provided for ventilation; to protect it from overheating, these openings must not be blocked or covered. The openings should never be blocked by placing the product on a bed, sofa, rug, or other similar surface while in use. The product should never be placed near or over a radiator or other heat source. This product should not be placed in a sealed environment unless proper ventilation is provided.
- When this product is no longer in use, make sure to detach it from the wall.

SECURITY REQUIREMENTS

In order to use the PBX safely and correctly, the Security Requirements below must be observed. Failure to do so may result in:

- Loss, leakage, falsification or theft of user information.
- Illegal use of the PBX by a third party.
- Interference or suspension of service caused by a third party.

What is User Information?

User Information is defined as:

1. Information stored on the SD Memory Card

Important Information

Phonebook data, user IDs, system settings data, passwords (User/Administrator/Installer), Personal Identification Numbers (PINs), etc.

2. Information sent from the PBX to a PC or other external device:
Phone call data (including telephone numbers of outside parties), call charge data, etc.

Requirements

1. The SD Memory Card contains software for all the processes of the PBX and all customer data. It can be easily removed and taken away from the PBX by a third party. Therefore, do not allow unauthorised access to prevent data leakage.
2. Always make backups of data stored on the SD Memory Card. For details, refer to "2.6.2 Utility—File Transfer PC to PBX (SD Card)" and "2.6.3 Utility—File Transfer PBX (SD Card) to PC" in the PC Programming Manual.
3. To prevent illegal access from the Internet, activate a Firewall.
4. To avoid unauthorised access and possible abuse of the PBX, we strongly recommend:
 - a. Keeping the password secret.
 - b. Selecting a complex, random password that cannot be easily guessed.
 - c. Changing your password regularly.
5. Perform the following when sending the PBX for repair or handing it over to a third party.
 - a. Make a backup of data stored on the SD Memory Card.
 - b. Using an SD formatter, format the SD Memory Card so that information cannot be retrieved from it.
6. To prevent data leakage, render the SD Memory Card physically unusable before disposal.
7. When user information is sent from the PBX to a PC or other external device, the confidentiality of that information becomes the responsibility of the customer. Before disposing of the PC or other external device, ensure that data cannot be retrieved from it by formatting the hard disk and/or rendering it physically unusable.

Notice

SAFETY REQUIREMENTS

For All Telephone Equipment

- Read and understand all instructions.

For the PBX

- When placing the metal bracket, make sure that the "TOP" arrow is pointing upward.
- Keep the unit away from heating appliances and devices that generate electrical noise such as fluorescent lamps, motors and televisions. These noise sources can interfere with the performance of the PBX.
- If you are having problems making calls to outside destinations, follow this procedure to test the trunks:
 - a. Disconnect the PBX from all trunks.
 - b. Connect known working SLTs to those trunks.
 - c. Make a call to an external destination using those SLTs.

If a call cannot be carried out correctly, there may be a problem with the trunk that the SLT is connected to. Contact your telephone company.



If all SLTs operate properly, there may be a problem with your PBX. Do not reconnect the PBX to the trunks until it has been serviced by an authorised Panasonic Factory Service Centre.

Precaution

For users in the United Kingdom

FOR YOUR SAFETY, PLEASE READ THE FOLLOWING TEXT CAREFULLY.

This appliance is supplied with a moulded three-pin mains plug for your safety and convenience. A 5 amp fuse is fitted in this plug. Should the fuse need to be replaced, please ensure that the replacement fuse has a rating of 5 amps and that it is approved by ASTA or BSI to BS1362.

Check for the ASTA mark  or the BSI mark  on the body of the fuse.

If the plug contains a removable fuse cover, you must ensure that it is refitted when the fuse is replaced. If you lose the fuse cover, the plug must not be used until a replacement cover is obtained. A replacement fuse cover can be purchased from your local Panasonic dealer.

IF THE FITTED MOULDED PLUG IS UNSUITABLE FOR THE AC OUTLET IN YOUR PREMISES, THEN THE FUSE SHOULD BE REMOVED AND THE PLUG CUT OFF AND DISPOSED OF SAFELY. THERE IS A DANGER OF SEVERE ELECTRICAL SHOCK IF THE CUT-OFF PLUG IS INSERTED INTO ANY 13 AMP SOCKET.

If a new plug is to be fitted, please observe the wiring code as shown below. If in any doubt, please consult a qualified electrician.

WARNING

This appliance must be earthed.

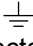
IMPORTANT: The wires in the mains lead are coloured as follows:

Green-and-yellow: Earth

Blue: Neutral

Brown: Live

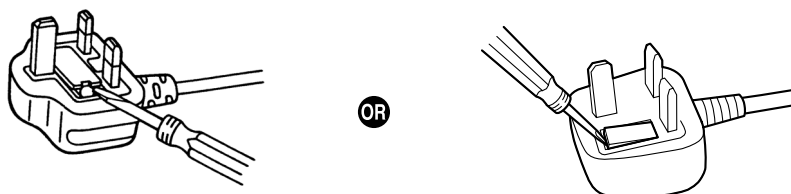
As the colours of the wires in the mains lead of this apparatus may not correspond with the coloured markings identifying the terminals in your plug, proceed as follows.

The wire that is coloured GREEN-AND-YELLOW must be connected to the terminal in the plug that is marked with the letter E or by the safety earth symbol  or coloured GREEN or GREEN-AND-YELLOW.

The wire that is coloured BLUE must be connected to the terminal that is marked with the letter N or coloured BLACK.

The wire that is coloured BROWN must be connected to the terminal that is marked with the letter L or coloured RED.

How to replace the fuse: Open the fuse compartment with a screwdriver and replace the fuse and fuse cover.



The equipment must be connected to direct extension lines, and a payphone should not be connected as an extension.

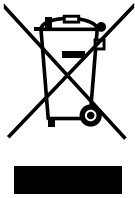
999 and 112 can be dialled on the apparatus after accessing the Exchange line for the purpose of making outgoing calls to the BT emergency services.

Precaution

During dialling, this apparatus may tinkle the bells of other telephones using the same line. This is not a fault and we advise you not to call the Fault Repair Service.

For users in the European Union only

Information for Users on Collection and Disposal of Old Equipment and used Batteries



These symbols on the products, packaging, and/or accompanying documents mean that used electrical and electronic products and batteries should not be mixed with general household waste.

For proper treatment, recovery and recycling of old products and used batteries, please take them to applicable collection points, in accordance with your national legislation and the Directives 2002/96/EC and 2006/66/EC.

By disposing of these products and batteries correctly, you will help to save valuable resources and prevent any potential negative effects on human health and the environment which could otherwise arise from inappropriate waste handling.

For more information about collection and recycling of old products and batteries, please contact your local municipality, your waste disposal service or the point of sale where you purchased the items.

Penalties may be applicable for incorrect disposal of this waste, in accordance with national legislation.

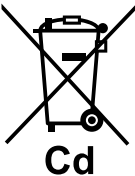
For business users in the European Union

If you wish to discard electrical and electronic equipment, please contact your dealer or supplier for further information.



Information on Disposal in other Countries outside the European Union

These symbols are only valid in the European Union. If you wish to discard these items, please contact your local authorities or dealer and ask for the correct method of disposal.



Note for the battery symbol (bottom two symbol examples):

This symbol might be used in combination with a chemical symbol. In this case it complies with the requirement set by the Directive for the chemical involved.

For users in Germany only

- Machine Noise Information Ordinance, 3rd GPSGV: The highest sound pressure level is 70 dB (A) or less according to EN ISO 7779.
- This equipment is not for use at video display work stations according to BildscharbV.

For users in Finland, Norway and Sweden only

- This equipment is intended for installation in restricted access locations where only authorised personnel may gain access through the use of a special tool, lock and key or other means of security.

For users in Taiwan only

- Lithium batteries can be found in the circuit boards of the main board and optional cards of the PBX.

Notice

Regarding removing or replacing a battery in the circuit board, consult your dealer.

Note

- When disposing of any of the above products, all batteries must be removed. Follow the applicable laws, regulations, and guidelines in your country/area regarding disposal of batteries.
- When replacing a battery, use only the same battery type, or an equivalent recommended by the battery manufacturer.



廢電池請回收

Introduction

This Installation Manual is designed to serve as an overall technical reference for the Panasonic Hybrid IP-PBX, KX-TDA150. It provides instructions for installing the hardware, and programming the PBX using the Maintenance Console.

The Structure of this Manual

This manual contains the following sections:

Section 1 System Outline

Provides general information on the PBX, including the system capacity and specifications.

Section 2 Installation

Describes the procedures to install the PBX. Detailed instructions for planning the installation site, installing the optional service cards, and cabling of peripheral equipment are provided. Further information on system expansion and peripheral equipment installation is included.

Section 3 Guide for the Maintenance Console

Explains the installation procedure, structure, and basic information of the Maintenance Console.

Section 4 Troubleshooting

Provides information on the PBX and telephone troubleshooting.

About the Other Manuals

Along with this Installation Manual, the following manuals are available:

Feature Guide

Describes all basic, optional and programmable features of the PBX.

PC Programming Manual

Provides step-by-step instructions for performing system programming using a PC.

PT Programming Manual

Provides step-by-step instructions for performing system programming using a PT.

User Manual

Provides operating instructions for end users using a PT, SLT, PS, or DSS Console.

About the software version of your PBX

The contents of this manual apply to PBXs with a certain software version, as indicated on the cover of this manual. To confirm the software version of your PBX, see "How do I confirm the software version of the PBX or installed cards?" in 2.7.1 Frequently Asked Questions (FAQ) of the PC Programming Manual, or "[190] Main Processing (MPR) Software Version Reference" in the PT Programming Manual.

Trademarks

- The Bluetooth® word mark and logos are owned by the Bluetooth SIG, Inc. and any use of such marks by Panasonic Corporation is under licence.
- Microsoft, Windows, and Windows Vista are either registered trademarks or trademarks of Microsoft Corporation in the United States and/or other countries.
- All other trademarks identified herein are the property of their respective owners.
- Microsoft product screen shot(s) reprinted with permission from Microsoft Corporation.

Table of Contents

| | | |
|------------|-------------------------------------------------------------------------------------------------------------------|------------|
| 1 | System Outline | 15 |
| 1.1 | Basic System Construction | 16 |
| 1.1.1 | Basic Shelf | 16 |
| 1.1.2 | System Connection Diagram | 17 |
| 1.2 | Optional Equipment | 19 |
| 1.2.1 | Optional Equipment | 19 |
| 1.3 | Specifications | 22 |
| 1.3.1 | General Description | 22 |
| 1.3.2 | Characteristics | 24 |
| 1.3.3 | System Capacity | 25 |
| 2 | Installation | 31 |
| 2.1 | Before Installation | 32 |
| 2.1.1 | Before Installation | 32 |
| 2.2 | Installation of the PBX | 34 |
| 2.2.1 | Unpacking | 34 |
| 2.2.2 | Names and Locations | 35 |
| 2.2.3 | Opening/Closing the Front Cover | 37 |
| 2.2.4 | Frame Earth Connection | 39 |
| 2.2.5 | Backup Battery Connection | 40 |
| 2.2.6 | Installing/Removing the Optional Service Cards | 42 |
| 2.2.7 | Types of Connectors | 47 |
| 2.2.8 | Attaching a Ferrite Core | 49 |
| 2.2.9 | Fastening Amphenol Connector | 53 |
| 2.2.10 | Wall Mounting | 55 |
| 2.2.11 | Surge Protector Installation | 57 |
| 2.3 | Information about the Main Processing Card | 60 |
| 2.3.1 | DMPR Card | 60 |
| 2.3.2 | RMT Card (KX-TDA0196) | 62 |
| 2.4 | Information about the Trunk Cards | 63 |
| 2.4.1 | LCOT4 Card (KX-TDA0183), LCOT8 Card (KX-TDA0180), LCOT16 Card (KX-TDA0181), and CLCOT8 Card (KX-TDA1180) | 63 |
| 2.4.2 | DID8 Card (KX-TDA0182) | 65 |
| 2.4.3 | CID/PAY8 Card (KX-TDA0189) | 67 |
| 2.4.4 | CID8 Card (KX-TDA0193) | 68 |
| 2.4.5 | CLCOT8E Card (KX-TDA1186) | 69 |
| 2.4.6 | E&M8 Card (KX-TDA0184) | 70 |
| 2.4.7 | T1 Card (KX-TDA0187) | 72 |
| 2.4.8 | E1 Card (KX-TDA0188) | 75 |
| 2.4.9 | BRI4 Card (KX-TDA0284) and BRI8 Card (KX-TDA0288) | 78 |
| 2.4.10 | PRI30 Card (KX-TDA0290CE/KX-TDA0290CJ) | 82 |
| 2.4.11 | PRI23 Card (KX-TDA0290) | 85 |
| 2.4.12 | IP-GW4E Card (KX-TDA0484) | 88 |
| 2.4.13 | IP-GW16 Card (KX-TDA0490) | 90 |
| 2.5 | Information about the Extension Cards | 92 |
| 2.5.1 | CSIF4 Card (KX-TDA0143) and CSIF8 Card (KX-TDA0144) | 92 |
| 2.5.2 | DLC8 Card (KX-TDA0171) | 94 |
| 2.5.3 | DLC16 Card (KX-TDA0172) | 96 |
| 2.5.4 | MCSLC16 Card (KX-TDA1176) and MCSLC24 Card (KX-TDA1178) | 98 |
| 2.5.5 | IP-EXT16 Card (KX-TDA0470) | 101 |
| 2.6 | Information about the Other Cards | 103 |
| 2.6.1 | OPB3 Card (KX-TDA0190) | 103 |

| | | |
|-------------|--------------------------------------------------------------------------------------------|------------|
| 2.6.2 | DPH4 Card (KX-TDA0161) | 104 |
| 2.6.3 | DPH2 Card (KX-TDA0162) | 106 |
| 2.6.4 | EIO4 Card (KX-TDA0164) | 109 |
| 2.6.5 | ECHO16 Card (KX-TDA0166) | 112 |
| 2.6.6 | MSG4 Card (KX-TDA0191) | 113 |
| 2.6.7 | ESVM2 Card (KX-TDA0192) and ESVM4 Card (KX-TDA0194) | 114 |
| 2.6.8 | CTI-LINK Card (KX-TDA0410) | 115 |
| 2.7 | Connection of Extensions | 117 |
| 2.7.1 | Maximum Cabling Distances of the Extension Wiring (Twisted Cable) | 117 |
| 2.7.2 | Digital EXtra Device Port (Digital XDP) Connection | 119 |
| 2.7.3 | First Party Call Control CTI Connection | 121 |
| 2.8 | Connection of Doorphones, Door Openers, External Sensors, and External Relays | 122 |
| 2.8.1 | Connection of Doorphones, Door Openers, External Sensors, and External Relays | 122 |
| 2.9 | Connection of Peripherals | 125 |
| 2.9.1 | Connection of Peripherals | 125 |
| 2.10 | Power Failure Connections | 130 |
| 2.10.1 | Power Failure Connections | 130 |
| 2.11 | Starting the PBX | 134 |
| 2.11.1 | Starting the PBX | 134 |
| 3 | Guide for the Maintenance Console | 137 |
| 3.1 | Overview | 138 |
| 3.1.1 | Overview | 138 |
| 3.2 | PC Connection | 139 |
| 3.2.1 | PC Connection | 139 |
| 3.3 | Installation of the Maintenance Console | 141 |
| 3.3.1 | Installing and Starting the Maintenance Console | 141 |
| 4 | Troubleshooting | 145 |
| 4.1 | Troubleshooting | 146 |
| 4.1.1 | Installation | 146 |
| 4.1.2 | Connection | 147 |
| 4.1.3 | Operation | 149 |
| 4.1.4 | Using the Reset Button | 150 |
| 4.1.5 | Troubleshooting by Error Log | 151 |
| | Index..... | 153 |

Section 1

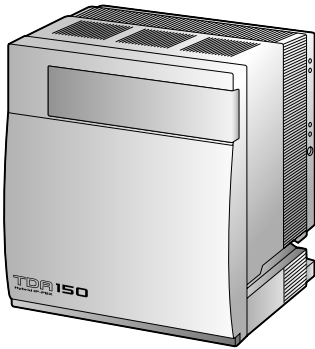
System Outline

This section provides general information on the PBX, including the system capacity and specifications.

1.1 Basic System Construction

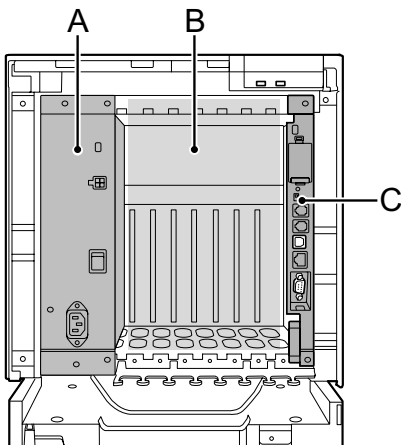
1.1.1 Basic Shelf

The basic shelf contains a power supply unit (PSU) and a DMPR card for starting and controlling the PBX. To use the system, install optional service cards in the basic shelf.

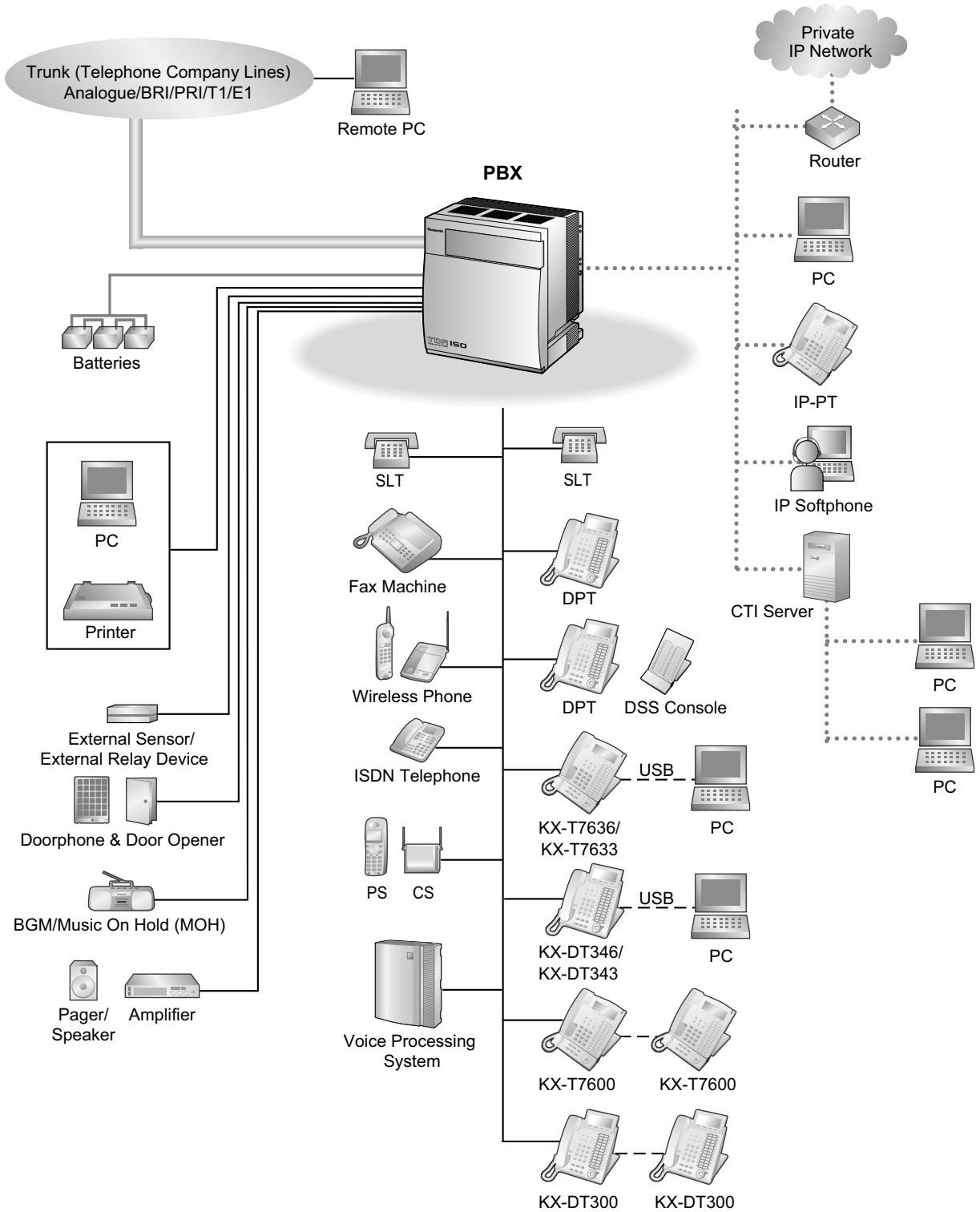


Construction of the Basic Shelf

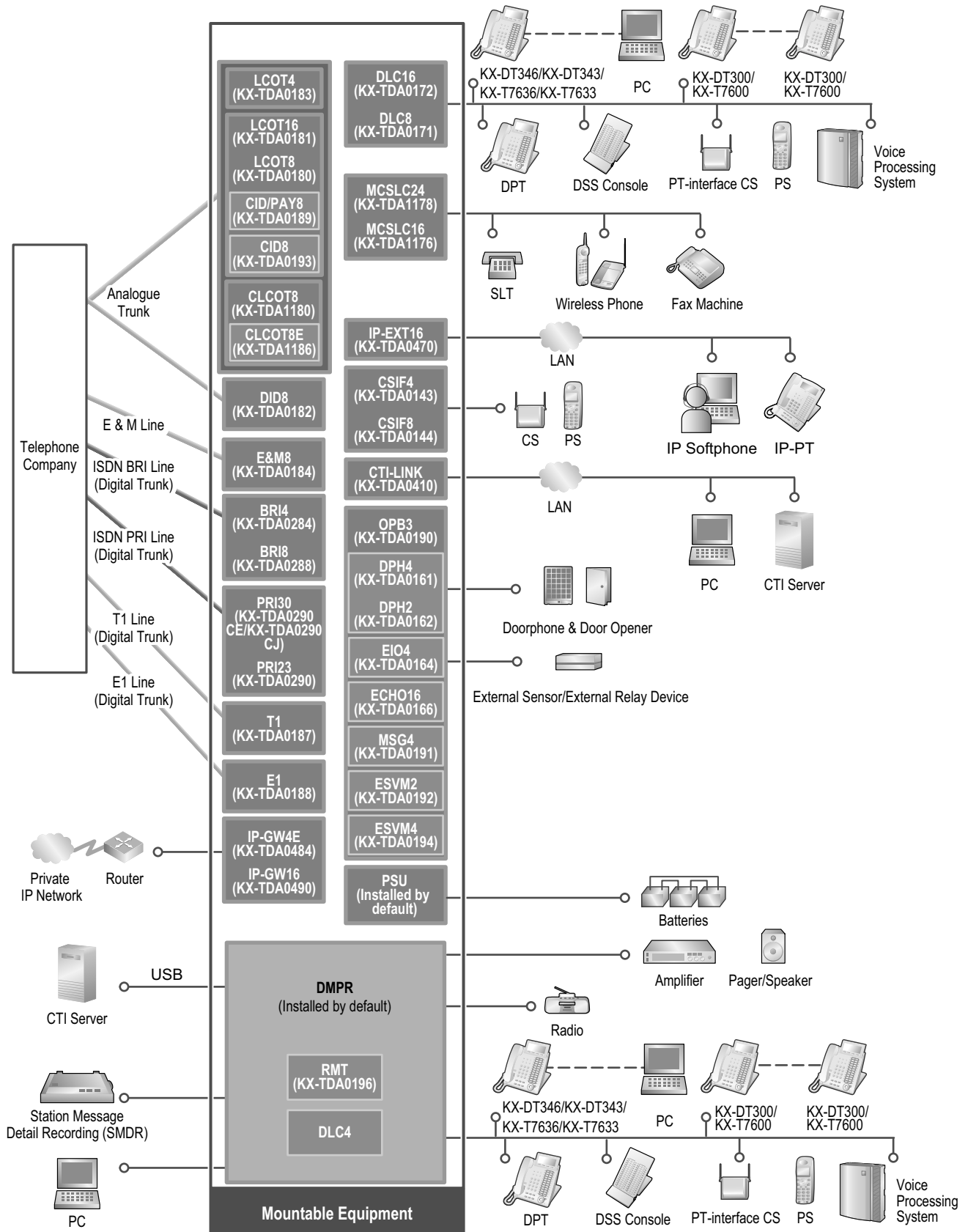
- A. PSU
- B. Slots for Expansion
- C. DMPR Card



1.1.2 System Connection Diagram



1.1.2 System Connection Diagram



1.2 Optional Equipment

1.2.1 Optional Equipment

| Model No. | Model Name | Description |
|------------|--------------------------------------------|----------------------------------------------------------------------------------------------------------------------------------------------------------------------------------|
| KX-TDA0143 | 4 Cell Station Interface Card (CSIF4) | 4-port CS interface card for 4 CSs. |
| KX-TDA0144 | 8 Cell Station Interface Card (CSIF8) | 8-port CS interface card for 8 CSs. |
| KX-TDA0161 | 4-Port Doorphone Card (DPH4) | 4-port doorphone card for 4 doorphones and 4 door openers. To be mounted on the OPB3 card. |
| KX-TDA0162 | 2-Port Doorphone Card (German Type) (DPH2) | 2-port doorphone card for 2 German-type doorphones and 2 door openers. To be mounted on the OPB3 card. |
| KX-TDA0164 | 4-Port External Input/Output Card (EIO4) | 4-port external input/output card. To be mounted on the OPB3 card. |
| KX-TDA0166 | 16-Channel Echo Canceller Card (ECHO16) | 16-channel card for echo cancellation during conferences. To be mounted on the OPB3 card. |
| KX-TDA0171 | 8-Port Digital Extension Card (DLC8) | 8-port digital extension card for DPTs, DSS consoles, and PT-interface CSs. |
| KX-TDA0172 | 16-Port Digital Extension Card (DLC16) | 16-port digital extension card for DPTs, DSS consoles, and PT-interface CSs. |
| KX-TDA0180 | 8-Port Analogue Trunk Card (LCOT8) | 8-port analogue trunk card with 2 power failure transfer (PFT) ports. |
| KX-TDA0181 | 16-Port Analogue Trunk Card (LCOT16) | 16-port analogue trunk card with 4 power failure transfer (PFT) ports. |
| KX-TDA0182 | 8-Port DID Card (DID8) | 8-port DID trunk card. |
| KX-TDA0183 | 4-Port Analogue Trunk Card (LCOT4) | 4-port analogue trunk card with 2 power failure transfer (PFT) ports. |
| KX-TDA0184 | 8-Port E & M Trunk Card (E&M8) | 8-port E & M (TIE) trunk card. Type 5 support. |
| KX-TDA0187 | T-1 Trunk Card (T1) | 1-port T1 trunk card. EIA/TIA standard compliant. |
| KX-TDA0188 | E-1 Trunk Card (E1) | 1-port E1 trunk card. ITU-T standard compliant. |
| KX-TDA0189 | 8-Port Caller ID/Pay Tone Card (CID/PAY8) | 8-port Caller ID signal type FSK/FSK (with Call Waiting Caller ID [Visual Caller ID])/DTMF, and 8-port Pay Tone Service (12 kHz/16 kHz). To be mounted on the LCOT8/LCOT16 card. |
| KX-TDA0190 | Optional 3-Slot Base Card (OPB3) | Optional 3-slot base card for mounting a maximum of 3 optional service cards from the following: MSG4, ESVM4, ESVM2, DPH4, DPH2 or EIO4 card. |

1.2.1 Optional Equipment

| Model No. | Model Name | Description |
|-------------------------------|---------------------------------------------------------|---------------------------------------------------------------------------------------------------------------------------------------------------------|
| KX-TDA0191 | 4-Channel Message Card (MSG4) | 4-channel message card. To be mounted on the OPB3 card. |
| KX-TDA0192 | 2-Channel Simplified Voice Message Card (ESVM2) | 2-channel simplified voice message card for Built-in Simplified Voice Message feature. Also supports MSG card features. To be mounted on the OPB3 card. |
| KX-TDA0193 | 8-Port Caller ID Card (CID8) | 8-port Caller ID signal type FSK/FSK (with Call Waiting Caller ID [Visual Caller ID])/DTMF. To be mounted on the LCOT8/LCOT16 card. |
| KX-TDA0194 | 4-Channel Simplified Voice Message Card (ESVM4) | 4-channel simplified voice message card for Built-in Simplified Voice Message feature. Also supports MSG card features. To be mounted on the OPB3 card. |
| KX-TDA0196 | Remote Card (RMT) | Analogue modem card for remote communication with the PBX. ITU-T V.90 support. To be mounted on the DMPP card. |
| KX-TDA0284 | 4-Port BRI Card (BRI4) | 4-port ISDN Basic Rate Interface card with 1 power failure transfer port. EURO-ISDN/ETSI compliant. |
| KX-TDA0288 | 8-Port BRI Card (BRI8) | 8-port ISDN Basic Rate Interface card with 1 power failure transfer port. EURO-ISDN/ETSI compliant. |
| KX-TDA0290CE/ KX-TDA0290CJ | PRI Card (PRI30) | 1-port ISDN Primary Rate Interface card (30B channels). EURO-ISDN/ETSI compliant. |
| KX-TDA0290 | PRI Card (PRI23) | 1-port ISDN Primary Rate Interface card (23B channels). NI (North American standard ISDN protocol) compliant. |
| KX-TDA0410 | CTI Link Card (CTI-LINK) | Ethernet card for CTI communication via 10BASE-T port. CSTA Phase 3 protocol compatible. |
| KX-TDA0470 | 16-Channel VoIP Extension Card (IP-EXT16) | 16-channel VoIP extension card. Compliant with Panasonic proprietary protocol, and ITU-T G.729a and G.711 codec methods. |
| KX-TDA0484 | 4-Channel VoIP Gateway Card (IP-GW4E) | 4-channel VoIP gateway card. Compliant with VoIP H.323 V.2 protocol, and ITU-T G.729a, G.723.1, and G.711 codec methods. |
| KX-TDA0490 | 16-Channel VoIP Gateway Card (IP-GW16) | 16-channel VoIP gateway card. Compliant with VoIP H.323 V.2 protocol, and ITU-T G.729a, G.723.1, and G.711 codec methods. |
| KX-TDA0920 | SD Memory Card for Software Upgrade to Enhanced Version | Optional SD Memory Card to use enhanced features. For more details, refer to the SD Memory Card Installation/Upgrade Guide. |

| Model No. | Model Name | Description |
|------------|----------------------------------------------------------------------------------------|----------------------------------------------------------------------------------------------------------------------------------------------------------------------------------------------|
| KX-TDA1176 | 16-Port Single Line Telephone Extension with Caller ID and Message Lamp Card (MCSLC16) | 16-port extension card for SLTs with Caller ID (FSK), Message Waiting Lamp control, and 2 power failure transfer (PFT) ports. Maximum power output of 90 V for Message Waiting Lamp control. |
| KX-TDA1178 | 24-Port Single Line Telephone Extension with Caller ID and Message Lamp Card (MCSLC24) | 24-port extension card for SLTs with Caller ID (FSK), Message Waiting Lamp control, and 2 power failure transfer (PFT) ports. Maximum power output of 90 V for Message Waiting Lamp control. |
| KX-TDA1180 | 8-Port Analogue Trunk Card with CID (CLCOT8) | 8-port analogue trunk card with Caller ID, and 2 power failure transfer (PFT) ports. Caller ID signal type FSK/FSK (with Call Waiting Caller ID [Visual Caller ID])/DTMF compatible. |
| KX-TDA1186 | 8-Port Analogue Trunk with Caller ID Daughter Card (CLCOT8E) | 8-port analogue trunk daughter card with Caller ID. Caller ID signal type FSK/FSK (with Call Waiting Caller ID [Visual Caller ID])/DTMF compatible. To be mounted on the CLCOT8 card. |

Note

For the maximum number of optional service cards that can be installed in the PBX, refer to "1.3.3 System Capacity".

1.3 Specifications

1.3.1 General Description

| | | | |
|----------------------------------------|--------------------|-----------------------------------------------------------------------------------------------------------------------------------------------------|-------------------------------------------------------|
| Control Bus | | Original bus (16-bit, 8 MHz, 10 megabytes per second) | |
| Communication Bus | | H.100 bus conformity (1024 time slots) | |
| Switching | | Non-blocking | |
| Power Input | | 100 V AC to 130 V AC; 2.8 A/200 V AC to 240 V AC; 1.7 A; 50 Hz/60 Hz | |
| External Battery | | +36 V DC (+12 V DC × 3, recommended maximum capacity is 28 Ah) | |
| Maximum Power Failure Tolerance | | 300 ms (without using backup batteries) | |
| Memory Backup Duration | | 7 years | |
| Dialling | Trunk | Dial Pulse (DP) 10 pps, 20 pps Tone (DTMF) Dialling | |
| | Extension | Dial Pulse (DP) 10 pps, 20 pps Tone (DTMF) Dialling | |
| Mode Conversion | | DP-DTMF, DTMF-DP | |
| Ring Frequency | | 20 Hz/25 Hz (selectable) | |
| Trunk Loop Limit | | 1600 Ω maximum | |
| Operating Environment | Temperature | 0 °C to 40 °C | |
| | Humidity | 10 % to 90 % (non-condensing) | |
| Conference Call Trunk | | From 10 × 3-party conference call to 4 × 8-party conference call | |
| Music on Hold (MOH) | | 2 ports (Level Control: -11 dB to +11 dB in 1 dB steps) MOH1: External Music Source port MOH2: Selectable Internal/External Music Source port | |
| Paging | Internal | Level Control: -15 dB to +6 dB in 3 dB steps | |
| | External | 2 ports (Volume Control: -15 dB to +15 dB in 1 dB steps) | |
| Serial Interface Port | RS-232C | 1 (maximum 115.2 kbps) | |
| | USB | 1 | |
| Extension Connection Cable | | SLT | 1-pair wire (T, R) |
| | | DPT | 1-pair wire (D1, D2) or 2-pair wire (T, R, D1, D2) |
| | | PT-interface CS | 1-pair wire (D1, D2) |
| | | PT-interface CS (High-density) | 4-pair wire (D1, D2) |
| | | DSS Console and Add-on Key Module | 1-pair wire (D1, D2) |
| Dimension | | 334 mm (W) × 390 mm (H) × 270 mm (D) | |

| | |
|------------------------------------|-------------|
| Weight (when fully mounted) | Under 12 kg |
|------------------------------------|-------------|

1.3.2 Characteristics

| | |
|---------------------------------------------------------|-------------------------------------------------------------------------------------------------------------------------------------------------------------------------------------------------------------------------------------------------------------------------------------------------|
| Terminal Equipment Loop Limit | <ul style="list-style-type: none"> • PT: KX-DT300/KX-T7600 series DPT: 90 Ω • SLT: 600 Ω including set • Doorphone: 20 Ω • CS: 130 Ω; PT-interface CS: 65 Ω |
| Minimum Leakage Resistance | 15 000 Ω minimum |
| Maximum Number of Extension Instruments per Line | <ol style="list-style-type: none"> 1. for PT or SLT 2. by Digital eXtra Device Port connection of 2 DPTs |
| Ring Voltage | 65 Vrms at 20 Hz/25 Hz depending on the Ringing Load |
| Trunk Loop Limit | 1600 Ω maximum |
| Hookswitch Flash/Recall Timing Range | 24 ms to 2032 ms |
| BRI Cards Internal ISDN Mode | Supply Voltage: 40 V Power Supply (BRI4): 4.5 W per 1 line, 9 W per 4 lines Power Supply (BRI8): 4.5 W per 1 line, 9 W per 8 lines Power Supply Method: Phantom Power Supply |
| Door Opener Current Limit | 24 V DC/30 V AC, 1 A maximum |
| External Relay Current Limit | 24 V DC/30 V AC, 1 A maximum |
| External Sensor Current Limit | Power to the external sensor is provided from the EIO4 card and must be grounded through the EIO4 card. For the connection diagram, refer to "2.6.4 EIO4 Card (KX-TDA0164)". The PBX detects input from the sensor when the signal is under 100 Ω . |
| Paging Terminal Impedance | 600 Ω |
| MOH (Music on Hold) Terminal Impedance | 10 000 Ω |

1.3.3 System Capacity

Maximum Optional Service Cards

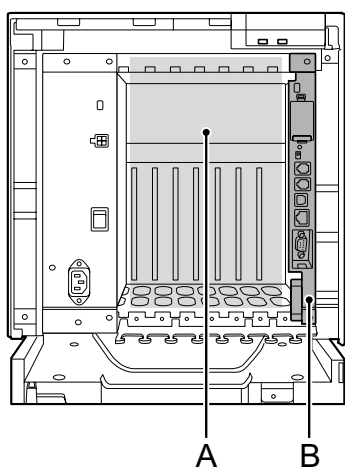
There are 2 types of optional service cards for installation:

- Cards installed in the slots of the PBX
- Cards mounted on other optional service cards

Note

- Any card that exceeds the capacity of the PBX will be ignored.
- When the PBX starts up with an invalid configuration, some cards will be ignored.

Cards Installed in the Slots of the PBX



A. Free Slots 1 to 7 (from the left)

B. DMPR Card Slot

The following number of optional service cards can be installed in the various slots of the PBX.

| Card Type | Maximum Number | Installed in |
|-----------|----------------|----------------|
| DMPR | 1 | DMPR Card Slot |

1.3.3 System Capacity

| Card Type | Maximum Number | Installed in |
|----------------|-----------------------|-------------------|
| Trunk Card | Total 7 ^{*1} | Free Slots 1 to 7 |
| LCOT4 | 7 | |
| LCOT8 | | |
| LCOT16 | | |
| CLCOT8 | | |
| DID8 | | |
| E&M8 | | |
| BRI4 | | |
| BRI8 | | |
| T1 | 4 | |
| E1 | | |
| PRI23 | | |
| PRI30 | | |
| IP-GW4E | 4 | |
| IP-GW16 | | |
| Extension Card | Total 7 | |
| DLC8 | 7 | |
| DLC16 | | |
| MCSLC16 | | |
| IP-EXT16 | | |
| MCSLC24 | 5 | |
| CSIF4 | 4 | |
| CSIF8 | | |
| OPB3 | 4 | |
| CTI-LINK | 1 | |

*1 When installing T1, E1, PRI30, or PRI23 cards, make sure that the number of these cards × 2 + the number of other cards (including IP-GW4E cards) does not exceed 8.

Cards Mounted on Other Optional Service Cards

The following number of optional service cards can be mounted on the specified other optional service cards.

| Card Type | Maximum Number | Mounted on |
|-----------|-----------------|------------------------|
| RMT | 1 | DMPR Card |
| CID/PAY8 | 14 | LCOT8 Card/LCOT16 Card |
| CID8 | | |
| CLCOT8E | 7 | CLCOT8 Card |
| DPH4 | 4 | OPB3 Card |
| DPH2 | 8 | |
| ECHO16 | 2 ^{*1} | |
| MSG4 | 4 | |
| ESVM2 | | |
| ESVM4 | | |
| EIO4 | 4 | |

*1 Only 1 ECHO16 card can be mounted on each OPB3 card.

Maximum Terminal Equipment

The following number of items of terminal equipment can be supported by the PBX. For how to count the total number of items of equipment to be connected, refer to "Power Supply Unit Capacity".

| Terminal Equipment Type | Maximum Number |
|-------------------------------|-------------------|
| Telephone | 176 ^{*1} |
| SLT | 128 |
| KX-DT300/KX-T7600 series DPT | 104 |
| IP-PT | 112 |
| DSS console | 8 |
| CS | 26 |
| High-density CS | 13 |
| PS | 128 |
| Voice Processing System (VPS) | 2 |
| Doorphone | 16 |
| Door Opener | 16 |
| External Sensor | 16 |
| External Relay | 16 |

^{*1} When the PBX is equipped with 104 DPTs (Digital XDP), 48 IP-PTs, and 24 SLTs.

Power Supply Unit Capacity

Calculate the load figure from the type and number of items of equipment to be connected.

Load Figure Calculation

| Equipment Type | | Load Figure |
|-----------------------------------------|-------------------------------------------------------------------------------------------------|-------------|
| PT | KX-DT300 series DPT/KX-DT300 series DSS console/KX-T7600 series DPT/KX-T7600 series DSS console | 1 |
| | IP-PT | 0 |
| Trunk Card | DID8 | 16 |
| | E&M8 | 8 |
| | Others | 0 |
| Extension Card ¹ | MCSLC16 | 16 |
| | MCSLC24 | 24 |
| CS (1 unit) | | 4 |
| PT-interface CS (1 unit) | | 4 |
| PT-interface CS (High-density) (1 unit) | | 8 |
| ISDN Extension | | 2 |
| VPS (1 port) | | 1 |

¹ Only the extension cards that can support SLTs count for the load figures.

Maximum Load Figure

The pre-installed power supply unit (PSU) supports the following load figures.

| System Equipment | Maximum Load Figure |
|---------------------------------------------------------|---------------------|
| Any Equipment | 104 |
| Additional Load Capacity for a MCSLC16/ MCSLC24 Card | 24 |
| Total | 128 |

In addition to any combination of equipment totalling a load figure of up to 104, one additional MCSLC16 card (load figure: 16) or one MCSLC24 card (load figure: 24) may also be added, for a total load figure of up to 128.

1.3.3 System Capacity

Calculation Example

| Equipment Type | | Load Figure |
|------------------------------|---------|-------------|
| KX-DT300/KX-T7600 series DPT | 4 units | 4 |
| MCSLC24 | 4 cards | 96 |
| VPS | 8 ports | 8 |
| Total | | 108 |

Section 2

Installation

This section describes the procedures to install the PBX. Detailed instructions for planning the installation site, installing the shelves and optional service cards, and cabling of peripheral equipment are provided. Further information on system expansion and peripheral equipment installation is included.

2.1 Before Installation

2.1.1 Before Installation

Please read the following notes concerning installation and connection before installing the PBX and terminal equipment.

Be sure to comply with all applicable laws, regulations, and guidelines.

Safety Installation Instructions

WARNING

When installing telephone wiring, basic safety precautions should always be followed to reduce the risk of fire, electric shock and injury to persons, including the following:

- **Never install telephone wiring during a lightning storm.**
- **Never install telephone jacks in wet locations unless the jack is specifically designed for wet locations.**
- **Never touch uninsulated telephone wires or terminals unless the telephone line has been disconnected at the network interface.**
- **Use caution when installing or modifying telephone lines.**

Installation Precautions

This set is made for wall mounting and should be installed in a location where it is accessible for inspections and maintenance.

To prevent malfunction, noise, or discolouration, follow the instructions below:

WARNING

Do not install the system in the following locations:

- **Areas where shocks or vibrations are frequent or strong. Such activity may lead to the product falling over and causing injury, or may impair the product's performance.**
- **Areas with high amounts of dust. High amounts of dust can lead to fire or electric shock, and impair the performance of the product.**

CAUTION

Do not install the system in the following locations:

- In direct sunlight and hot, cold, or humid places. (Temperature range: 0 °C to 40 °C)
- Areas where sulfuric gases may be present, such as near thermal springs.
- Near devices that generate high frequencies, such as sewing machines or electric welders.
- Locations where other objects will obstruct the area around the PBX. Be especially careful to leave at least 20 cm of space above and 10 cm to the sides of the PBX for ventilation.

Notice

Do not install the system in the following locations:

- On or near computers, telexes, or other office equipment, as well as microwave ovens or air conditioners. (It is preferable not to install the system in the same room as the above equipment.)
- Within 1.8 m of radios and televisions. (Both the PBX and PTs should be at least 1.8 m away from such devices.)

Do not perform the following:

- Do not block the openings of the PBX.
- Do not stack up the optional service cards.

Wiring Precautions

Be sure to follow these instructions when wiring the unit:

CAUTION

- Avoid using the same AC outlet for computers, telexes, and other office equipment, as noise generated by such equipment may hamper system performance or interrupt the system.
- Unplug the system from its power source when wiring, and plug the system back in only after all wiring is completed.
- Trunks should be installed with surge protectors. For details, refer to "2.2.11 Surge Protector Installation".

Notice

- Use 2-pair telephone cables when connecting PTs.
Use 1-pair telephone cables when connecting SLTs, data terminals, answering machines, computers, Voice Processing Systems, etc.
- Mis-wiring may cause the PBX to operate improperly. Refer to "Section 2 Installation" when wiring the system.
- If an extension does not operate properly, disconnect the telephone from the extension line and connect it again, or turn off the PBX using the power switch, then turn it on again.
- Use twisted pair cable for trunk connection.
- To prevent signal noise from interfering with the performance of the product, do not run unshielded telephone cables near AC power cables, computer cables, AC power sources, etc. When running cables near other noise-generating devices or cables, use shielded telephone cables or shield the telephone cables with metal tubing.

2.2 Installation of the PBX

2.2.1 Unpacking

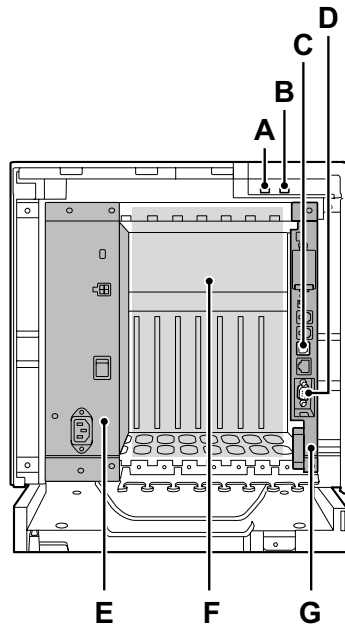
Unpack the box and check the items below:

| | |
|----------------------------------|-----------------|
| Main Unit | 1 |
| AC Cord | 1 |
| Metal Bracket | 1 |
| Screw A | 3 |
| Screw B (Black) | 2 |
| Anchor Plug | 3 |
| SD Memory Card | 1 |
| Ferrite Core (for the DMPR card) | 2 ^{*1} |

*1 The larger of the two ferrite cores is used for the RJ45 cable.
The smaller of the two ferrite cores is used for the RJ11 cable(s).

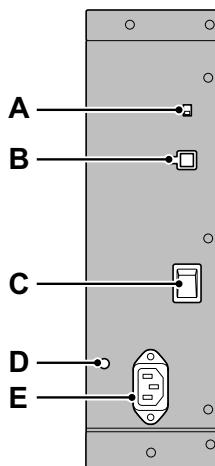
2.2.2 Names and Locations

Inside View



- A. RUN Indicator
- B. ALARM Indicator
- C. USB Port
- D. RS-232C Port
- E. PSU
- F. Free Slots 1 to 7 (from the left)
- G. DMPR Card Slot

PSU View



- A. Battery Switch
- B. Battery Connector

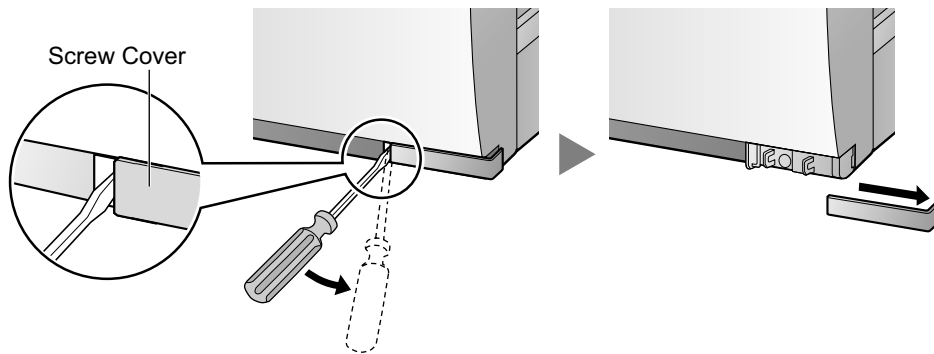
2.2.2 Names and Locations

- C. Power Switch
- D. Earth Terminal
- E. AC Inlet

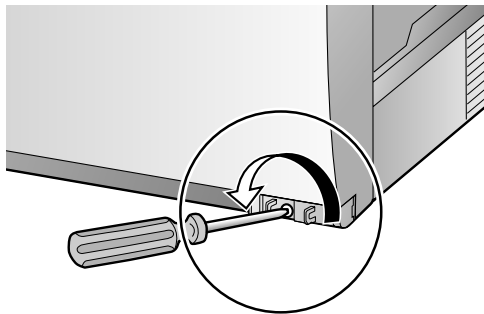
2.2.3 Opening/Closing the Front Cover

Opening the Front Cover

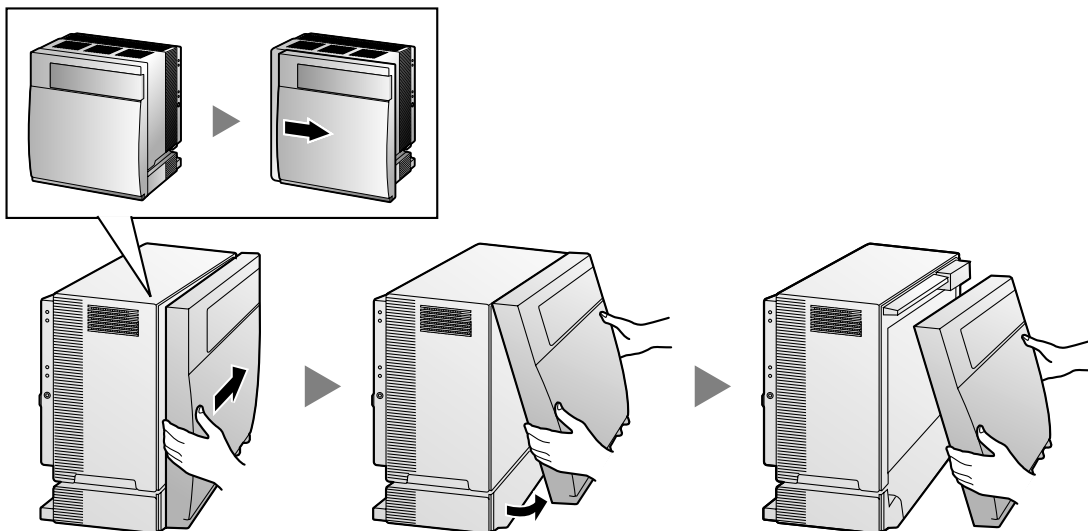
1. Insert a flathead screwdriver into the opening (on the left of the screw cover) and unlatch the screw cover.



2. Turn the screw anticlockwise to loosen.

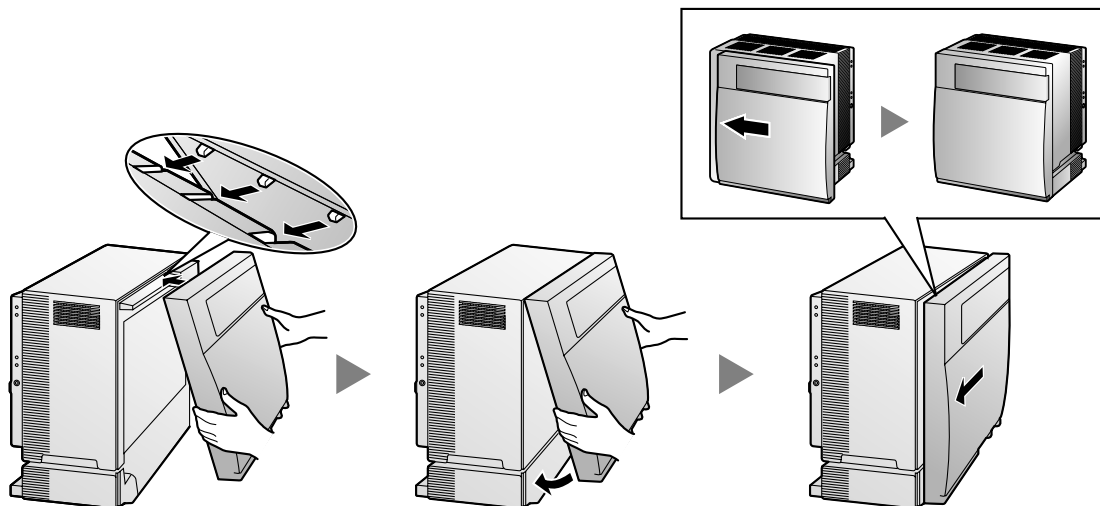


3. Slide the front cover to the right until it stops, then lift the front cover.

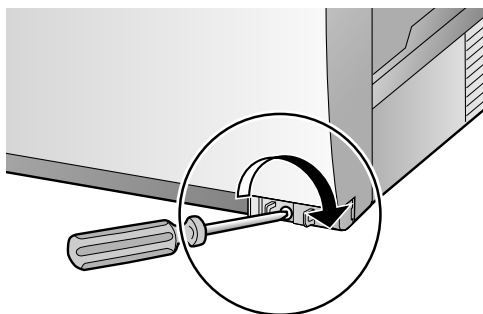


Closing the Front Cover

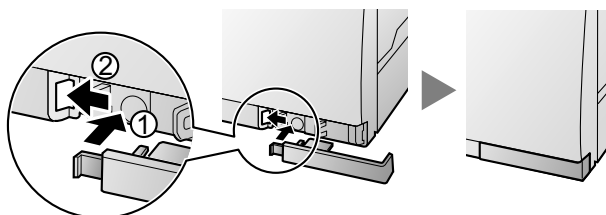
1. Hook the front cover onto the shelf (line up the protrusions on the cover with the receptacles on the shelf). Then slide the front cover to the left until it locks.



2. Turn the screw clockwise to tighten.



3. Secure the screw cover.

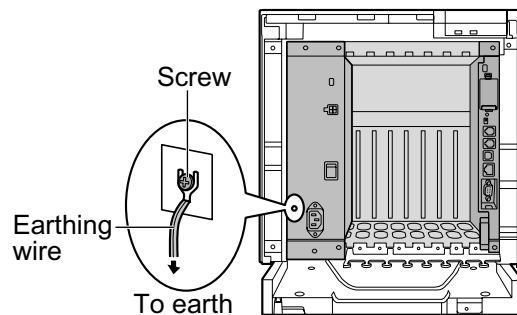


CAUTION

- For safety reasons, close the front cover and tighten the screw before operating the PBX.
- Do not forget to tighten the screw before securing the screw cover.

2.2.4 Frame Earth Connection

1. Loosen the screw.
2. Insert an earthing wire (user-supplied).
3. Tighten the screw.
4. Connect the earthing wire to earth.



WARNING

- Proper earthing (connection to earth) is very important to reduce the risk to the user of electrocution or to protect the PBX from the bad effects of external noise in the case of a lightning strike.
- The earthing wire of the AC cable has an effect against external noise and lightning strikes, but it may not be enough to protect the PBX. A permanent connection between earth and the earth terminal of the PBX must be made.

CAUTION

For earthing wire, green-and-yellow insulation is required, and the cross-sectional area of the conductor must be more than 0.75 mm² or 18 AWG.

Notice

Be sure to comply with applicable local regulations (e.g., laws, guidelines).

2.2.5 Backup Battery Connection

The backup batteries and Back-up Battery Cable provide a backup power supply to allow full use of the PBX in the event of a power failure. In case of power failure, the backup batteries automatically maintain the power to the PBX without interruption.

User-supplied Items

- Backup Batteries: VRLA (Valve Regulated Lead Acid) 12 V DC × 3
- Back-up Battery Cable: KX-A228

WARNING

- **There is a danger of explosion if backup batteries are incorrectly replaced. Replace only with the same or equivalent type recommended by the battery manufacturer. Dispose of used batteries according to the manufacturer's instructions.**
- **Make sure that you do not short the backup batteries or cables.**

CAUTION

- Make sure that the Back-up Battery Cable is securely fastened to both the backup batteries and the PBX.
- Make sure that the polarities of the backup batteries and wiring are correct.
- Use the correct type of Back-up Battery Cable for the PSU.

Notice

Be sure to comply with applicable local regulations (e.g., laws, guidelines).

Note

- Turn on the battery switch on the PSU only after the installation of the PBX is finished and AC power is available.
- The recommended maximum capacity is 28 Ah, to maintain effective battery charge.
- Make sure that the type and capacity of the 3 backup batteries are identical.
- The Back-up Battery Cable should not be exposed to direct sunlight. Keep the Back-up Battery Cable and the backup batteries away from heating appliances and fire. Place the backup batteries in a ventilated place.
- For details about the backup batteries, refer to the manual for the batteries.

Backup Power Supply Duration

The length of time that backup batteries can power the PBX varies depending on the total load figure. For how to calculate the load figure from the connected items, refer to "Load Figure Calculation".

Examples

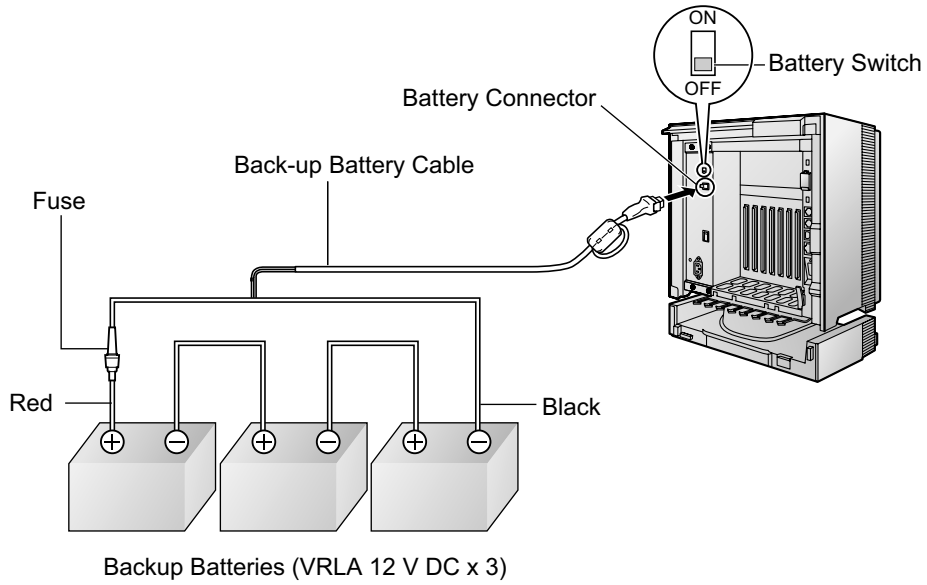
| Battery Capacity | Total Load Figure | Backup Power Supply Duration ^{*1} |
|------------------|-------------------|--------------------------------------------|
| 28 Ah | 64 | 11 h |
| | 128 | 5.5 h |

*1 The duration may vary depending on the conditions.

Connecting Backup Batteries

1. Turn off the battery switch on the PSU.

2. Connect the Back-up Battery Cable to a set of 3 identical backup batteries.



2.2.6 Installing/Removing the Optional Service Cards

CAUTION

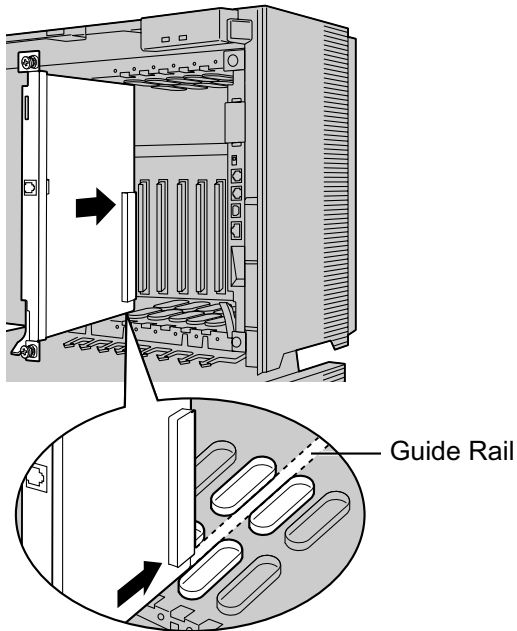
- To protect the back board from static electricity, do not touch parts on the back board in the main unit and on the optional service cards. To discharge static electricity, touch ground or wear an earthing strap.
- When installing or removing the DMPR card, the DC power supply must be turned off.

Note

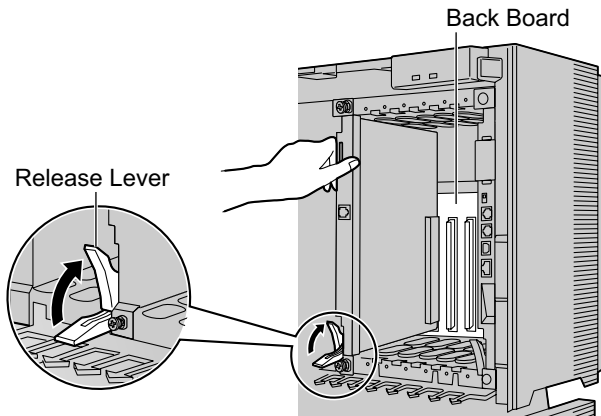
The optional service cards can be installed or removed while the DC power is supplied.

Installing Optional Service Cards

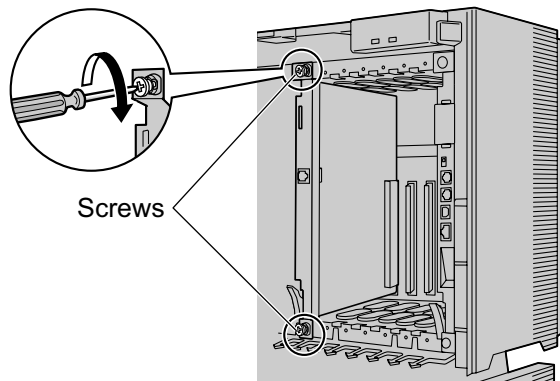
1. Insert the card along the guide rails.



2. Holding the card as shown below, push the release lever in the direction of the arrow so that the card engages securely with the connector on the back board.



3. Turn the 2 screws clockwise to fix the card in place.



Note

Make sure the screws are tightened to earth the card securely.

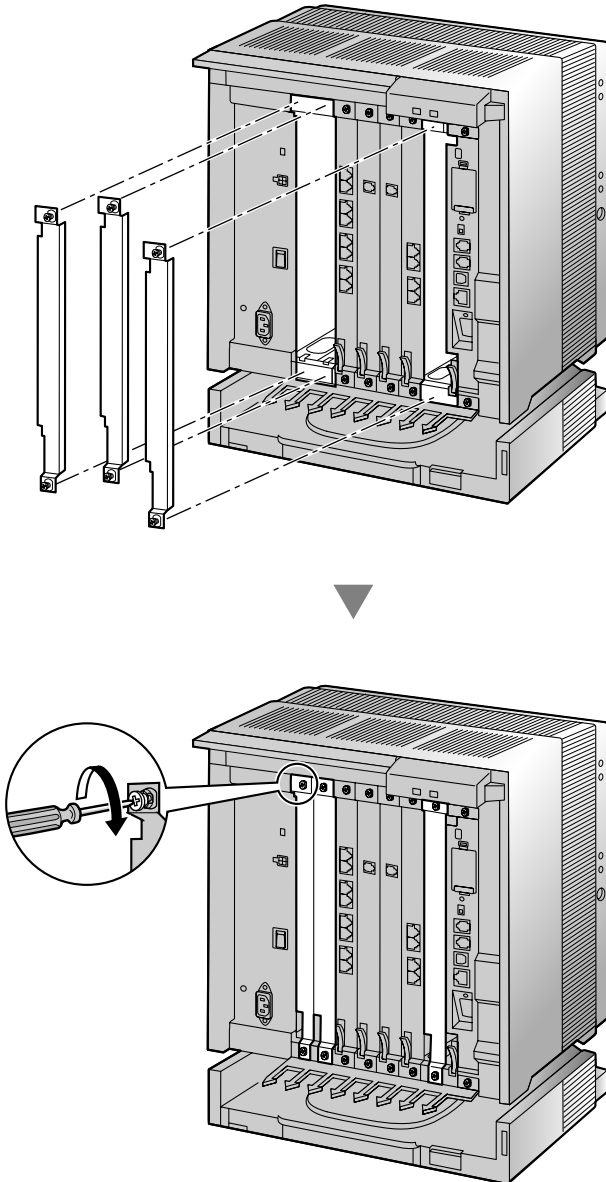
2.2.6 Installing/Removing the Optional Service Cards

Covering the Blank Slots

Be sure to cover each slot in which no optional service card is installed by using a Blank Slot Cover.

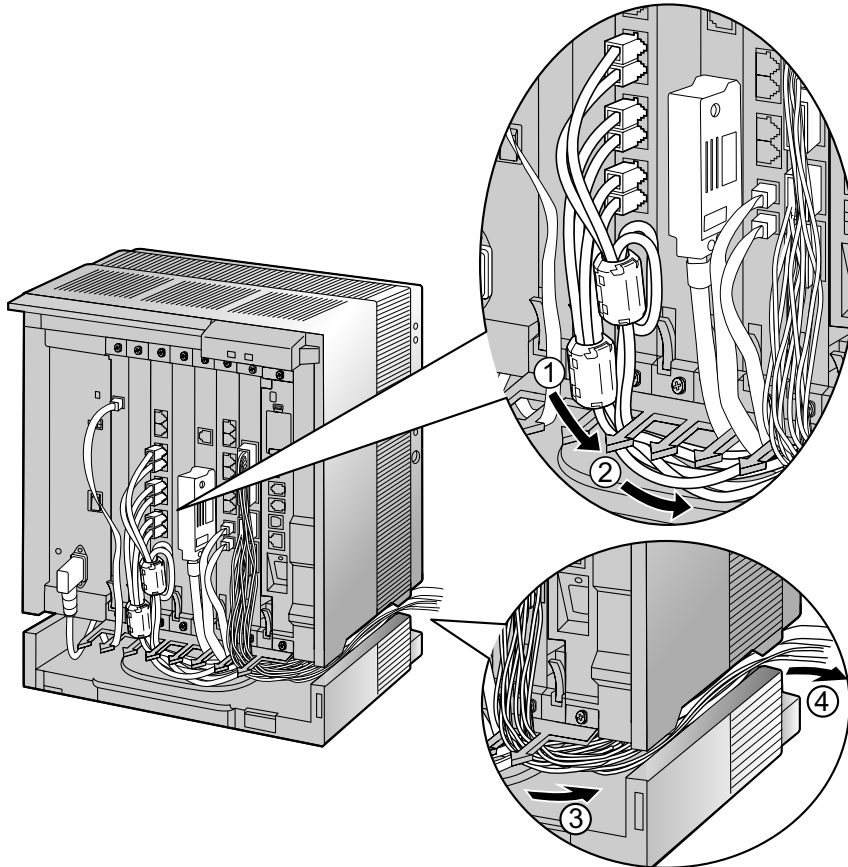
CAUTION

Failure to install the Blank Slot Cover may cause electromagnetic interference.



Handling of the Cables

When cables are connected to the PBX, run the cables to either the right or the left and then towards the back of the shelf as shown below.

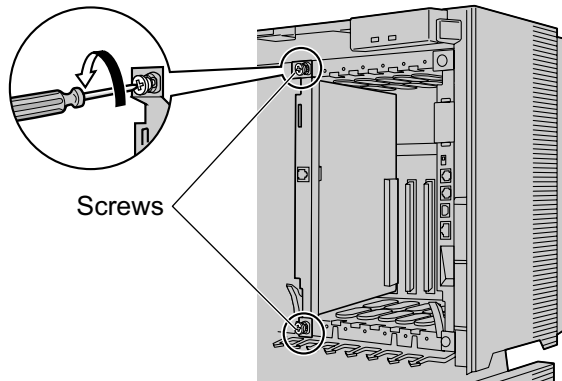


Note

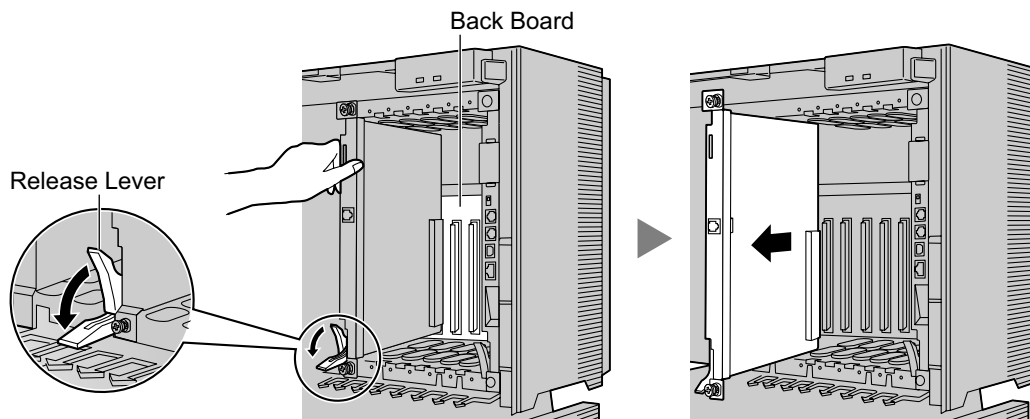
For safety reasons, do not stretch, bend, or pinch the AC power cord.

Removing the Optional Service Cards

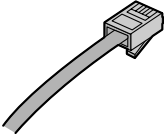
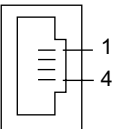
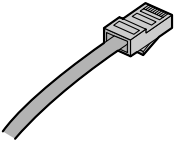
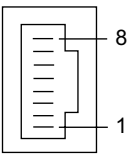
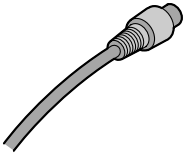
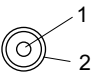
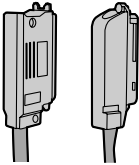
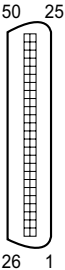
1. Turn the 2 screws anticlockwise to loosen them.



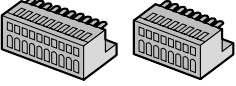
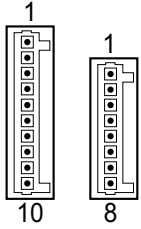
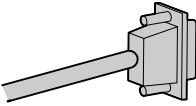
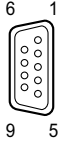
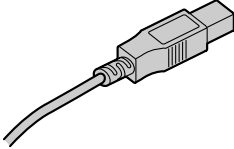

2. Pull the release lever in the direction of the arrow to disconnect the card from the back board. Pull the card from the shelf to remove it.



2.2.7 Types of Connectors

| Connector Type | Pin Number | Used for |
|------------------------------------------------------------------------------------------------------------------------------------------------------------|-------------------------------------------------------------------------------------|-----------------------------------------------------------------------------------------------------------------------------------------------------------------------------------------------------------------------------------------------------------------------------------------------------------------------------------------------------------------------------------------------------------------------------------------|
| <p>RJ11</p>  <p>(Twisted pair cable)</p> |  | <ul style="list-style-type: none"> • MCSLC16 (KX-TDA1176) • MCSLC24 (KX-TDA1178) • CLCOT8 (KX-TDA1180) • CLCOT8E (KX-TDA1186) • LCOT8 (KX-TDA0180) • LCOT16 (KX-TDA0181) • LCOT4 (KX-TDA0183) • DMPR |
| <p>RJ45</p>  <p>(Twisted pair cable)</p> |  | <ul style="list-style-type: none"> • CSIF4 (KX-TDA0143) • CSIF8 (KX-TDA0144) • T1 (KX-TDA0187) • E1 (KX-TDA0188) • BRI4 (KX-TDA0284) • BRI8 (KX-TDA0288) • PRI30 (KX-TDA0290CE/CJ) • PRI23 (KX-TDA0290) • CTI-LINK (KX-TDA0410) • IP-EXT16 (KX-TDA0470) • IP-GW4E (KX-TDA0484) • IP-GW16 (KX-TDA0490) • DMPR |
| <p>BNC</p>  |  | <ul style="list-style-type: none"> • E1 (KX-TDA0188) • PRI30 (KX-TDA0290CE/CJ) |
| <p>Amphenol Type A Type B</p>  <p>(Shielded twisted pair cable)</p> |  | <ul style="list-style-type: none"> • DLC8 (KX-TDA0171) • DLC16 (KX-TDA0172) • MCSLC16 (KX-TDA1176) • MCSLC24 (KX-TDA1178) • CLCOT8 (KX-TDA1180) • CLCOT8E (KX-TDA1186) • LCOT8 (KX-TDA0180) • LCOT16 (KX-TDA0181) • DID8 (KX-TDA0182) • LCOT4 (KX-TDA0183) • E&M8 (KX-TDA0184) |

2.2.7 Types of Connectors

| Connector Type | Pin Number | Used for |
|----------------------------------------------------------------------------------------------------------------------------------------|-------------------------------------------------------------------------------------|---------------------------------------------------------------------------------------------------------------------------|
| <p>10-pin Terminal Block 8-pin Terminal Block</p>  |  | <ul style="list-style-type: none"> DPH4 (KX-TDA0161) DPH2 (KX-TDA0162) EIO4 (KX-TDA0164) |
| <p>RS-232C</p>  <p>(Shielded cable)</p> |  | <ul style="list-style-type: none"> DMPR |
| <p>USB</p>  |  | <ul style="list-style-type: none"> DMPR |

2.2.8 Attaching a Ferrite Core

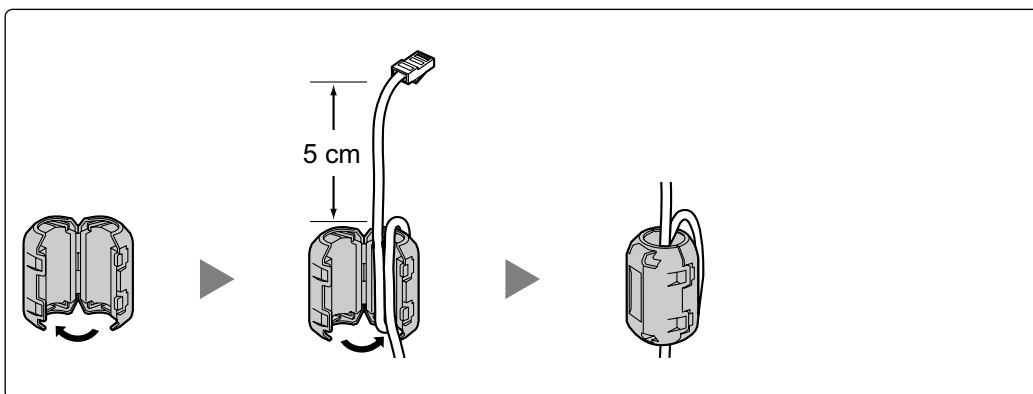
A ferrite core must be attached when:

- an RJ45 connector is connected to T1, E1, PRI, BRI, IP-GW16, IP-EXT16, or DMPR cards.
- an Amphenol connector is connected to an extension card.
- an RJ11 connector is connected to the DMPR card.

Attaching to an RJ45 Connector

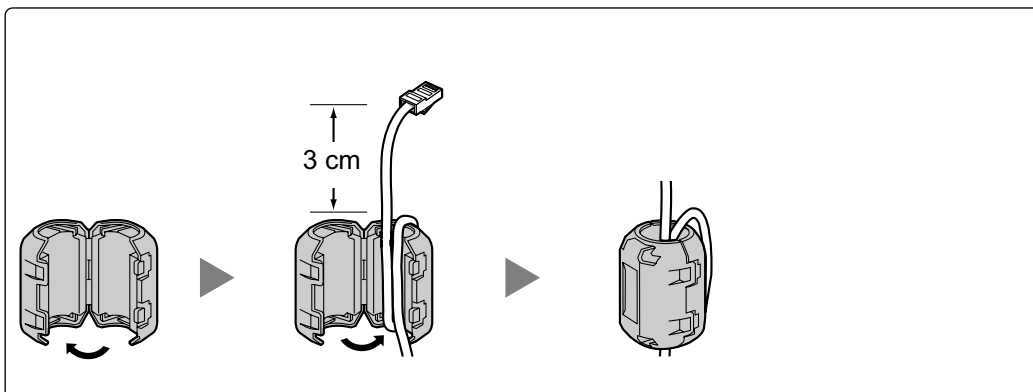
For T1/E1/PRI/IP-GW16/IP-EXT16 Cards

Wrap the cable once around the ferrite core, then close the case of the ferrite core. Attach the ferrite core 5 cm away from the connector. The ferrite core is included with the card.



For the DMPR Card

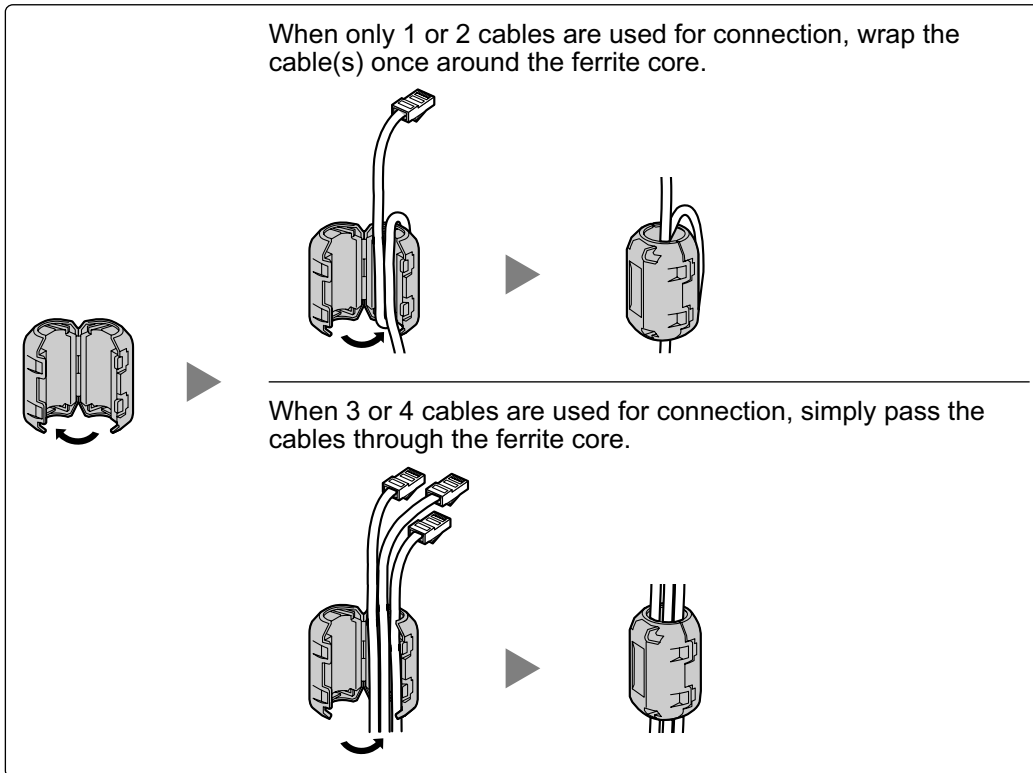
Wrap the cable once around the ferrite core, then close the case of the ferrite core. Attach the ferrite core 3 cm away from the connector. The ferrite core is included with the PBX.



2.2.8 Attaching a Ferrite Core

For a BRI Card

Attach the ferrite core, then close the case of the ferrite core. Attach the ferrite core as close to the card's connector as possible. The ferrite core is included with the card.



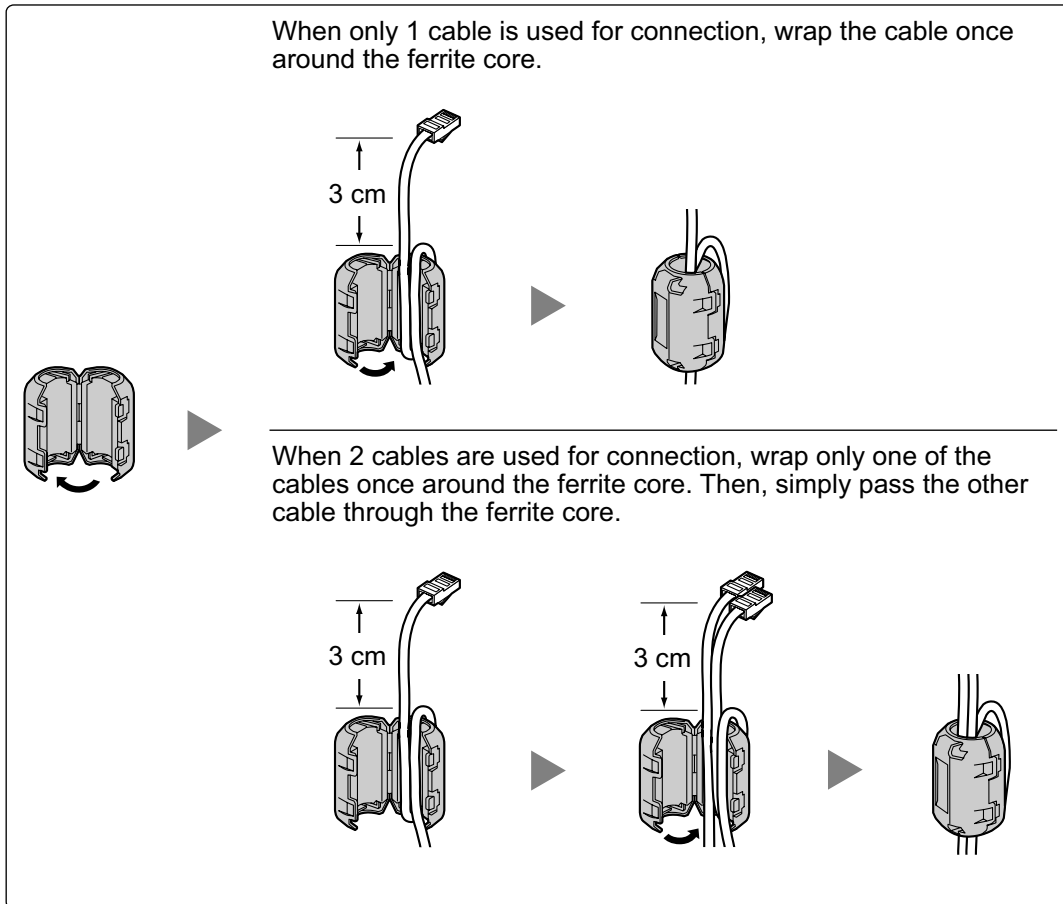
Note

For every 4 cables, use 1 ferrite core; a ferrite core holds a maximum of 4 cables.

Attaching to an RJ11 Connector

For the DMPR Card

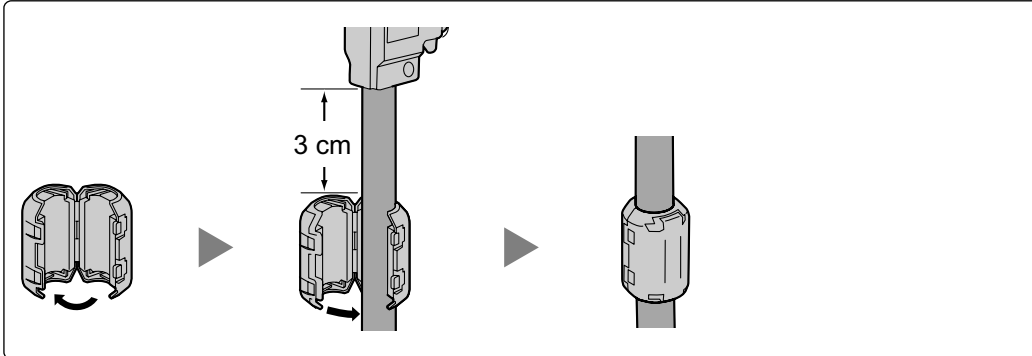
Attach the ferrite core, then close the case of the ferrite core. Attach the ferrite core 3 cm away from the connector. The ferrite core is included with the PBX.



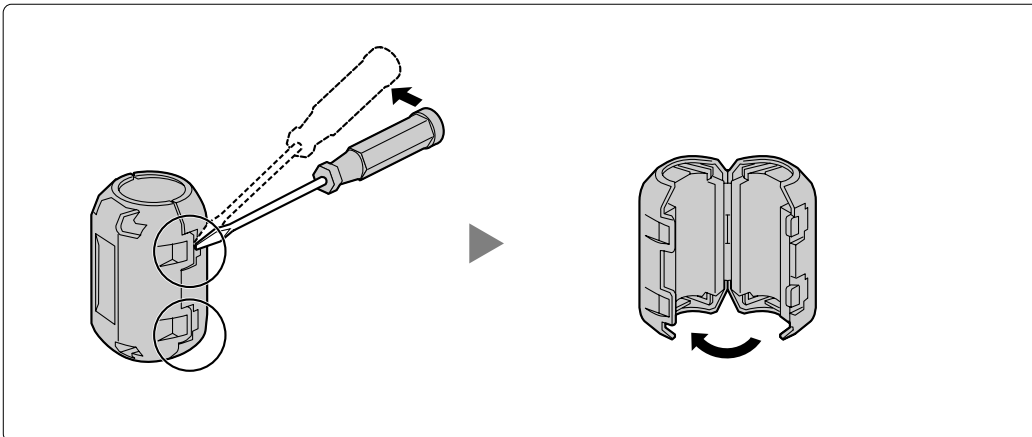
Attaching to an Amphenol Connector

For Extension Cards

Pass the cable through the ferrite core, then close the case of the ferrite core. Attach the ferrite core 3 cm away from the connector. The ferrite core is included with the card.



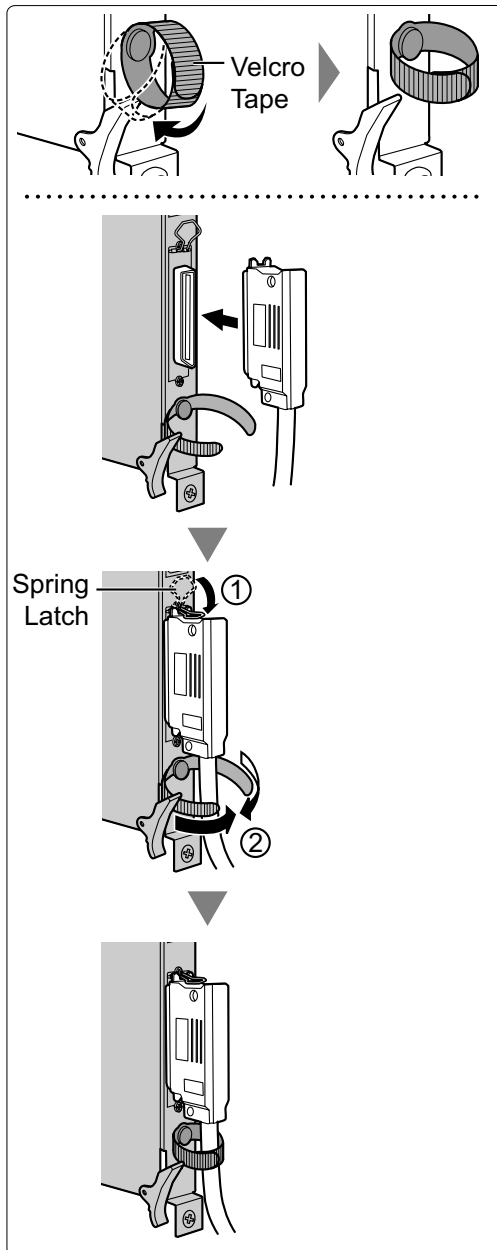
If you need to open the ferrite core, use a flathead screwdriver to unlatch the case of the ferrite core.



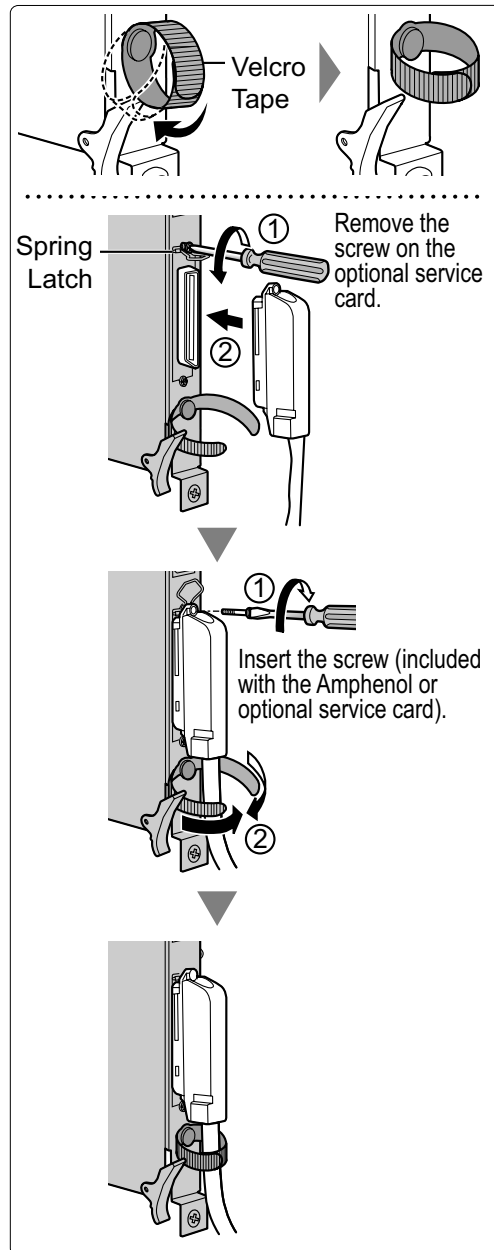
2.2.9 Fastening Amphenol Connector

An Amphenol 57JE-type connector is used on some of the optional service cards. To connect an Amphenol connector, use the spring latch or screw to fix the upper part and use Velcro® tape to fix the lower part of the connector.

Type A (Spring Latch + Velcro Tape)



Type B (Screw + Velcro Tape)



Amphenol Connector Pin Assignment Chart

Below is an Amphenol connector pin assignment chart for all optional service cards that use the Amphenol connector. For more details, refer to the appropriate section in "2.4 Information about the Trunk Cards" and "2.5 Information about the Extension Cards".

| Pin No. | LCOT4 | LCOT8 | LCOT16 | CLCOT8 | DID8 | E&M8 | DLC8 | DLC16 | MCSLC16 | MCSLC24 |
|---------|-------|-------|--------|--------|------|------|------|-------|---------|---------|
| 1 | RA | RA | RA | RA | RA | TA | | D2A | RA | RA |
| 26 | TA | TA | TA | TA | TA | RA | | D1A | TA | TA |
| 2 | RB | RB | RB | RB | RB | T1A | D2A | D2B | RB | RB |
| 27 | TB | TB | TB | TB | TB | R1A | D1A | D1B | TB | TB |
| 3 | RC | RC | RC | RC | RC | EA | | D2C | RC | RC |
| 28 | TC | TC | TC | TC | TC | MA | | D1C | TC | TC |
| 4 | RD | RD | RD | RD | RD | SGA | | D2D | RD | RD |
| 29 | TD | TD | TD | TD | TD | SGB | | D1D | TD | TD |
| 5 | | RE | RE | RE | RE | TB | D2B | D2E | RE | RE |
| 30 | | TE | TE | TE | TE | RB | D1B | D1E | TE | TE |
| 6 | | RF | RF | RF | RF | T1B | | D2F | RF | RF |
| 31 | | TF | TF | TF | TF | R1B | | D1F | TF | TF |
| 7 | | RG | RG | RG | RG | EB | | D2G | RG | RG |
| 32 | | TG | TG | TG | TG | MB | | D1G | TG | TG |
| 8 | | RH | RH | RH | RH | TC | D2C | D2H | RH | RH |
| 33 | | TH | TH | TH | TH | RC | D1C | D1H | TH | TH |
| 9 | | | RI | RI | | T1C | | D2I | RI | RI |
| 34 | | | TI | TI | | R1C | | D1I | TI | TI |
| 10 | | | RJ | RJ | | EC | | D2J | RJ | RJ |
| 35 | | | TJ | TJ | | MC | | D1J | TJ | TJ |
| 11 | | | RK | RK | | TD | D2D | D2K | RK | RK |
| 36 | | | TK | TK | | RD | D1D | D1K | TK | TK |
| 12 | | | RL | RL | | T1D | | D2L | RL | RL |
| 37 | | | TL | TL | | R1D | | D1L | TL | TL |
| 13 | | | RM | RM | | ED | | D2M | RM | RM |
| 38 | | | TM | TM | | MD | | D1M | TM | TM |
| 14 | | | RN | RN | | TE | D2E | D2N | RN | RN |
| 39 | | | TN | TN | | RE | D1E | D1N | TN | TN |
| 15 | | | RO | RO | | T1E | | D2O | RO | RO |
| 40 | | | TO | TO | | R1E | | D1O | TO | TO |
| 16 | | | RP | RP | | EE | | D2P | RP | RP |
| 41 | | | TP | TP | | ME | | D1P | TP | TP |
| 17 | | | | | | TF | D2F | | | RQ |
| 42 | | | | | | RF | D1F | | | TQ |
| 18 | | | | | | T1F | | | | RR |
| 43 | | | | | | R1F | | | | TR |
| 19 | | | | | | EF | | | | RS |
| 44 | | | | | | MF | | | | TS |
| 20 | | | | | | TG | D2G | | | RT |
| 45 | | | | | | RG | D1G | | | TT |
| 21 | | | | | | T1G | | | | RU |
| 46 | | | | | | R1G | | | | TU |
| 22 | | | | | | EG | | | | RV |
| 47 | | | | | | MG | | | | TV |
| 23 | | | | | | TH | D2H | | | RW |
| 48 | | | | | | RH | D1H | | | TW |
| 24 | | | | | | T1H | | | | RX |
| 49 | | | | | | R1H | | | | TX |
| 25 | | | | | | EH | | | | |
| 50 | | | | | | MH | | | | |

2.2.10 Wall Mounting

WARNING

- Make sure that the wall that the shelf will be attached to is strong enough to support the shelf. If not, it is necessary for the wall to be reinforced.
- Only use the wall-mounting equipment (anchor plugs, screws, metal bracket) included with the PBX.
- Be careful not to drop any components. Dropping components may damage them or cause an injury.

CAUTION

- Do not block the openings of the shelf. Allow space of at least 20 cm above and 10 cm at the sides of the shelf.
- Make sure that the surface behind the shelf is flat and free of obstacles, so that the openings on the back of the shelf will not be blocked.
- Make sure that the surface behind the shelf is not made of wood.
- When driving the screws into the wall, be careful to avoid touching any metal laths, wire laths or metal plates in the wall.
- When this product is no longer in use, make sure to detach it from the wall.

Notice

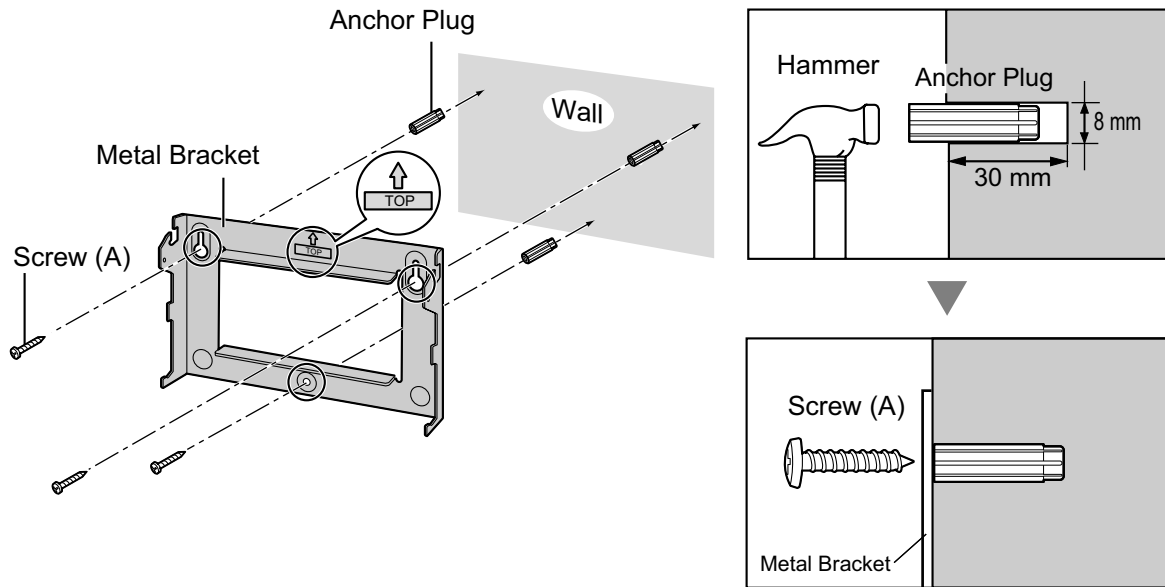
When placing the metal bracket, make sure that the "TOP" arrow is pointing upward.

Note

- Make sure to remove the front cover from the shelf before installing the shelf (refer to "2.2.3 Opening/Closing the Front Cover").
- Do not install any optional service cards in the shelf before installation.
- For details about the dimensions and weight of the PBX, refer to "1.3.1 General Description".

2.2.10 Wall Mounting

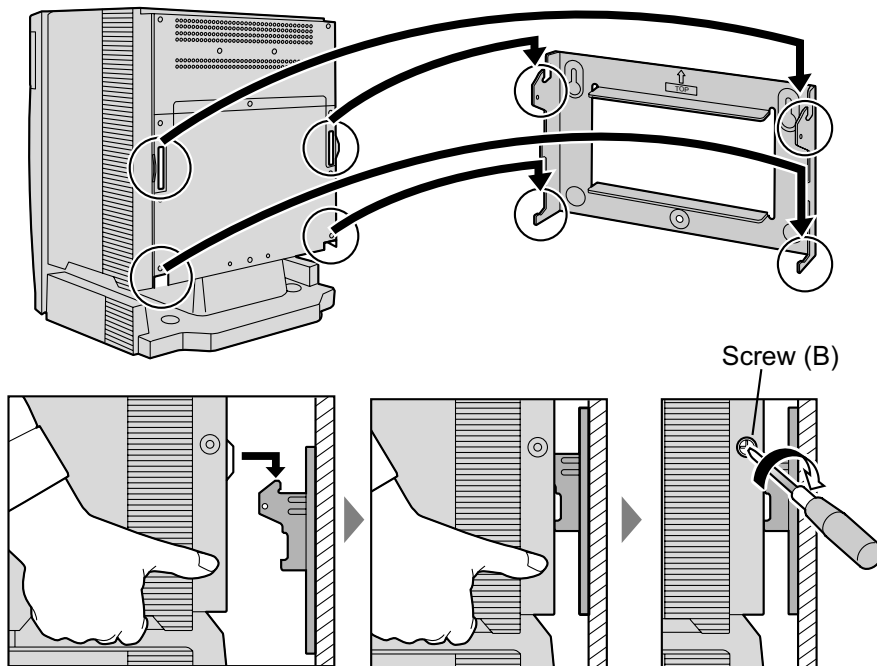
1. Install 3 anchor plugs in the wall, using the metal bracket as a template. Fix the metal bracket with 3 screws (A).



Note

The pull-out strength of the installation area must be at least 294 N (30 kgf) per screw.

2. Hook the shelf onto the metal bracket, making sure that the shelf slides down and onto the hooked parts of the metal bracket. Use 2 screws (B) to fix both sides of the shelf. (Recommended torque: 0.8 N·m [8.2 kgf·cm] to 1.0 N·m [10.2 kgf·cm])



2.2.11 Surge Protector Installation

Overview

A massive electrical surge can be caused if lightning strikes a telephone cable 10 m above ground, or if a telephone line comes into contact with a power line. A surge protector is a device that is connected to a trunk to prevent potentially dangerous electrical surges from entering the building via the trunk and damaging the PBX and connected equipment.

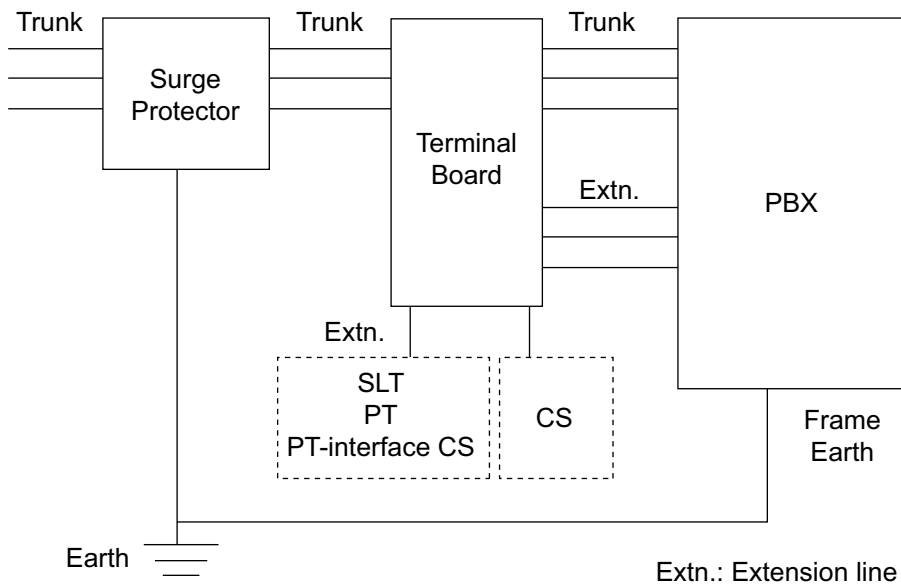
To protect the system from electrical surges, we strongly recommend connecting the system to a surge protector that meets the following specifications:

- Surge arrestor type: 3-electrode arrestor
- DC spark-over voltage: 230 V
- Maximum peak current: at least 10 kA

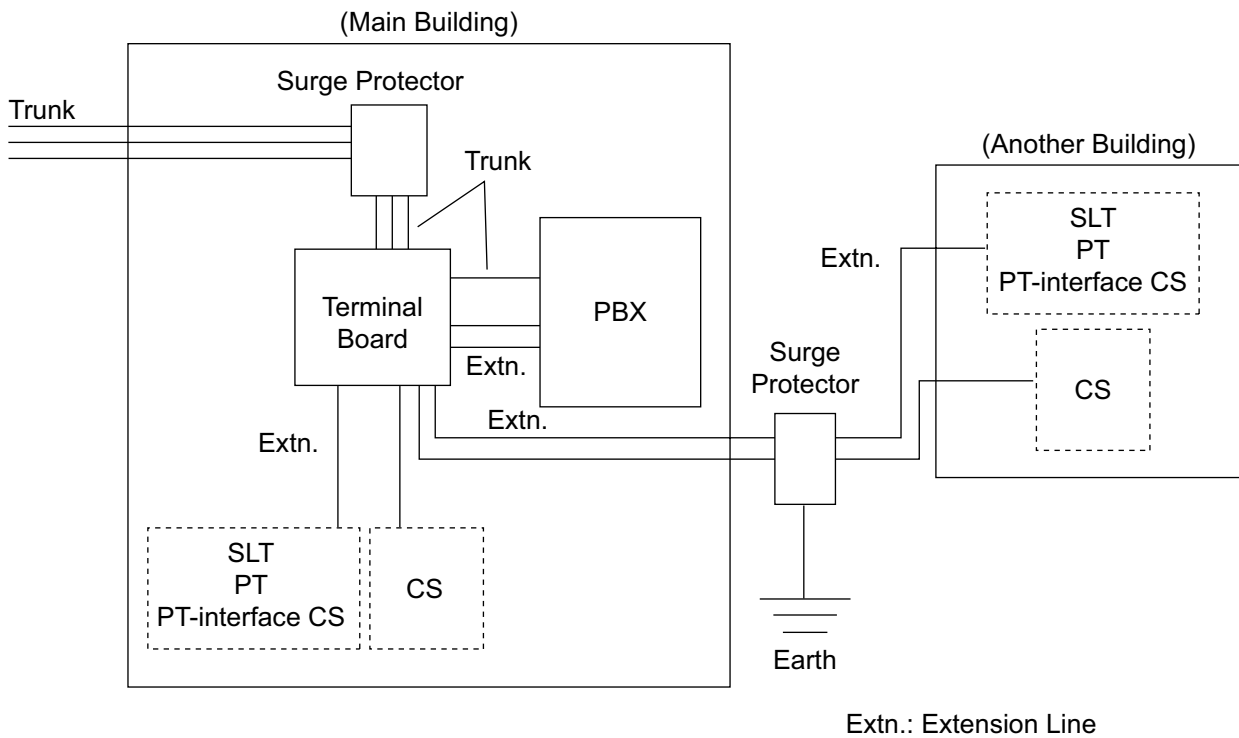
Additionally, proper earthing is very important for the protection of the system (refer to "2.2.4 Frame Earth Connection").

Many countries/areas have regulations requiring surge protection. Be sure to comply with all applicable laws, regulations, and guidelines.

Installation



Outside Installation



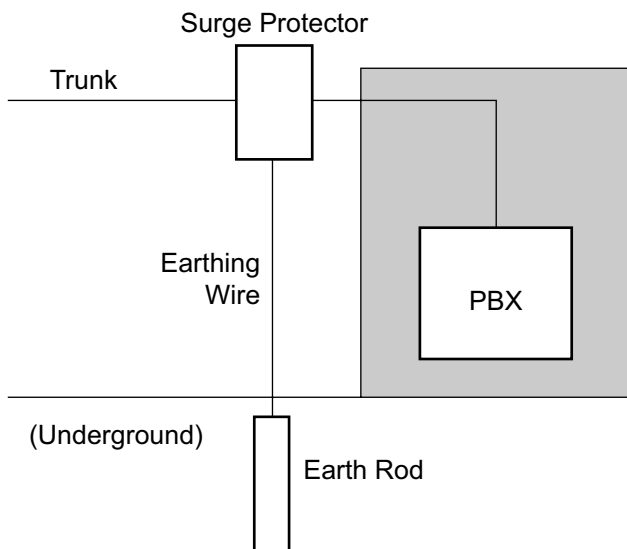
If you install an extension outside of the building, the following precautions are recommended:

- a. Install the extension wire underground.
- b. Use a conduit to protect the wire.

Note

The surge protector for an extension and CS is different from that for a trunk.

Installation of an Earth Rod



1. Connect the earth rod to the surge protector using an earthing wire with a cross-sectional area of at least 1.3 mm².
2. Bury the earth rod near the protector. The earthing wire should be as short as possible.
3. The earthing wire should run straight to the earth rod. Do not run the wire around other objects.
4. Bury the earth rod at least 50 cm underground.

Note

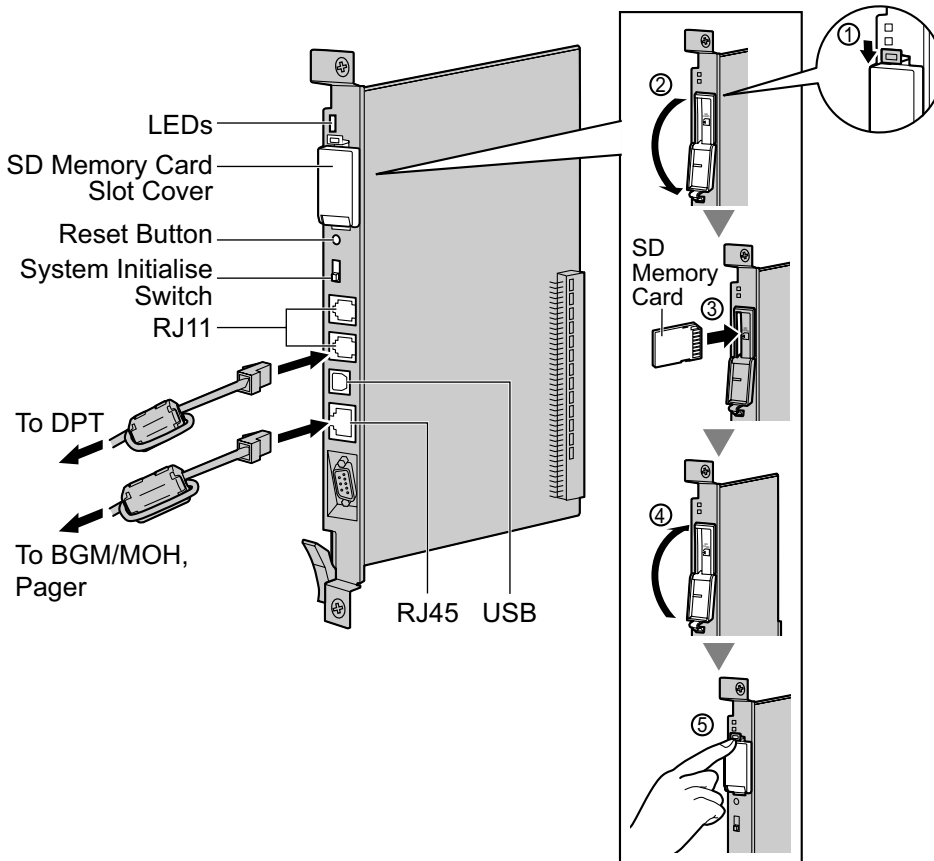
- The above figures are recommendations only.
- The length of earth rod and the required depth depend on the composition of the soil.

2.3 Information about the Main Processing Card

2.3.1 DMPR Card

Function

Contains the main processor for all processes, basic shelf main protocol, time switch (TSW) control, detection of system clock alarm, basic shelf power down alarm, and watchdog timer overflow. An RMT card can be mounted on the DMPR card (refer to "2.3.2 RMT Card (KX-TDA0196)").



WARNING

A lithium battery is used in the DMPR card. There is a risk of explosion if the battery is replaced with the incorrect type. Dispose of used batteries according to the manufacturer's instructions.

CAUTION

- The SD Memory Card contains software for all the processes of the PBX and all the customer data. It can be easily removed and taken away from the PBX by a third party. Therefore, do not allow unauthorised access to prevent data leakage.
- Do not remove the SD Memory Card while power is supplied to the PBX. Doing so may cause the PBX to fail to start when you try to restart the system.
- To prevent data leakage, render the SD Memory Card physically unusable before disposal.

Notice

- Use only the SD Memory Card included with the PBX, or a Panasonic optional upgrade SD Memory Card.

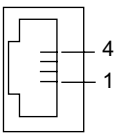
- The SD Memory Card must be inserted in the SD Memory Card slot of the DMPR card before startup.

Note

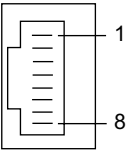
- For details about connecting peripherals, refer to "2.9.1 Connection of Peripherals".
- For details about System Initialise Switch, refer to "2.11.1 Starting the PBX".
- For details about Reset Button, refer to "4.1.4 Using the Reset Button".
- When connecting the RJ11 or RJ45 connector, attach the included ferrite core. Refer to "2.2.8 Attaching a Ferrite Core".
- Portions of this product contains software of Datalight, Inc. Copyright 1993–2000 Datalight, Inc., All Rights Reserved.

Pin Assignments

RJ11 Connector

| | No. | Signal Name | Function |
|-----------------------------------------------------------------------------------|-----|-------------|--------------------|
|  | 1 | D2A | Data port 1 (Low) |
| | 2 | D2B | Data port 2 (Low) |
| | 3 | D1B | Data port 2 (High) |
| | 4 | D1A | Data port 1 (High) |

RJ45 Connector

| | No. | Signal Name | Level [V] | Function |
|-------------------------------------------------------------------------------------|-----|-------------|-----------|------------------------------|
|  | 1 | MOH1 | Nonpolar | Music on Hold Jack: Port 1 |
| | 2 | MOH1 | Nonpolar | Music on Hold Jack: Port 1 |
| | 3 | PAG2 | Nonpolar | External Paging Jack: Port 2 |
| | 4 | PAG1 | Nonpolar | External Paging Jack: Port 1 |
| | 5 | PAG1 | Nonpolar | External Paging Jack: Port 1 |
| | 6 | PAG2 | Nonpolar | External Paging Jack: Port 2 |
| | 7 | MOH2 | Nonpolar | Music on Hold Jack: Port 2 |
| | 8 | MOH2 | Nonpolar | Music on Hold Jack: Port 2 |

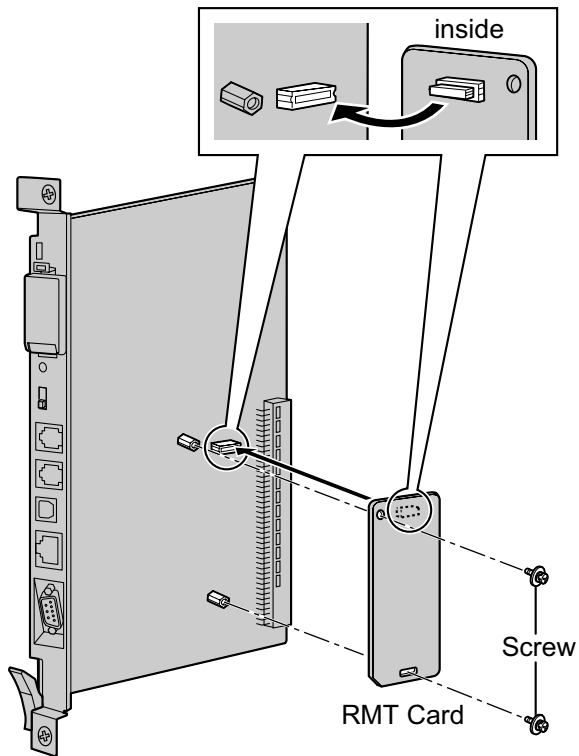
LED Indications

| Indication | Colour | Description |
|------------|--------|-----------------------------------------------------------------------------------------------------------|
| BATT ALARM | Red | Battery alarm indication <ul style="list-style-type: none"> OFF: Normal ON: Alarm |
| SD ACCESS | Green | SD memory card status <ul style="list-style-type: none"> ON: Accessing |

2.3.2 RMT Card (KX-TDA0196)

Function

Analogue modem card for remote communication with the PBX. ITU-T V.90 support. To be mounted on the DMPR card.



Accessories and User-supplied Items

Accessories (included): Screws × 2

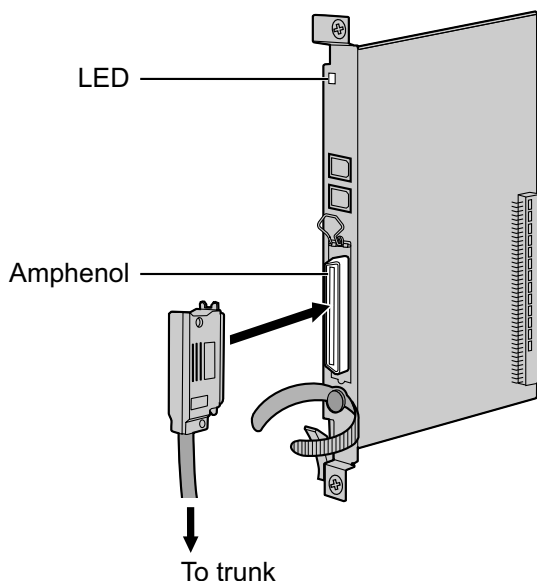
User-supplied (not included): none

2.4 Information about the Trunk Cards

2.4.1 LCOT4 Card (KX-TDA0183), LCOT8 Card (KX-TDA0180), LCOT16 Card (KX-TDA0181), and CLCOT8 Card (KX-TDA1180)

Function

- LCOT4:** 4-port analogue trunk card with 2 power failure transfer (PFT) ports.
- LCOT8:** 8-port analogue trunk card with 2 power failure transfer (PFT) ports. One CID8 or CID/PAY8 card can be mounted on the LCOT8 card (refer to "2.4.3 CID/PAY8 Card (KX-TDA0189)" and "2.4.4 CID8 Card (KX-TDA0193)").
- LCOT16:** 16-port analogue trunk card with 4 power failure transfer (PFT) ports. A maximum of 2 CID8 cards, 2 CID/PAY8 cards, or one of each can be mounted on the LCOT16 card (refer to "2.4.3 CID/PAY8 Card (KX-TDA0189)" and "2.4.4 CID8 Card (KX-TDA0193)").
- CLCOT8:** 8-port analogue trunk card with Caller ID, and 2 power failure transfer (PFT) ports. Caller ID signal type FSK/FSK (with Call Waiting Caller ID [Visual Caller ID])/DTMF compatible. One CLCOT8E card can be mounted on the CLCOT8 card (refer to "2.4.5 CLCOT8E Card (KX-TDA1186)").



Accessories and User-supplied Items

Accessories (included): Screws × 2

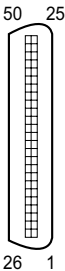
User-supplied (not included): Amphenol connector

Note

- To connect the Amphenol connector, refer to "2.2.9 Fastening Amphenol Connector".
- For details about power failure transfer, refer to "2.10.1 Power Failure Connections".
- To confirm the trunk connection, refer to "Confirming the Trunk Connection" in "2.11.1 Starting the PBX".

Pin Assignments

Amphenol Connector

| | No. | Signal Name | Function | No. | Signal Name | Function |
|-----------------------------------------------------------------------------------|-------|-------------|--------------|-------|-------------|-------------|
|  | 1 | RA | Ring port 1 | 26 | TA | Tip port 1 |
| | 2 | RB | Ring port 2 | 27 | TB | Tip port 2 |
| | 3 | RC | Ring port 3 | 28 | TC | Tip port 3 |
| | 4 | RD | Ring port 4 | 29 | TD | Tip port 4 |
| | 5 | RE | Ring port 5 | 30 | TE | Tip port 5 |
| | 6 | RF | Ring port 6 | 31 | TF | Tip port 6 |
| | 7 | RG | Ring port 7 | 32 | TG | Tip port 7 |
| | 8 | RH | Ring port 8 | 33 | TH | Tip port 8 |
| | 9 | RI | Ring port 9 | 34 | TI | Tip port 9 |
| | 10 | RJ | Ring port 10 | 35 | TJ | Tip port 10 |
| | 11 | RK | Ring port 11 | 36 | TK | Tip port 11 |
| | 12 | RL | Ring port 12 | 37 | TL | Tip port 12 |
| | 13 | RM | Ring port 13 | 38 | TM | Tip port 13 |
| | 14 | RN | Ring port 14 | 39 | TN | Tip port 14 |
| | 15 | RO | Ring port 15 | 40 | TO | Tip port 15 |
| | 16 | RP | Ring port 16 | 41 | TP | Tip port 16 |
| | 17-25 | Reserved | – | 42-50 | Reserved | – |

Note

- Pin assignments for the pins 5 to 8 and 30 to 33 are only for the LCOT8, LCOT16, and CLCOT8 cards.
- Pin assignments for the pins 9 to 16 and 34 to 41 are only for the LCOT16 card, or a CLCOT8 card with a CLCOT8E card mounted.

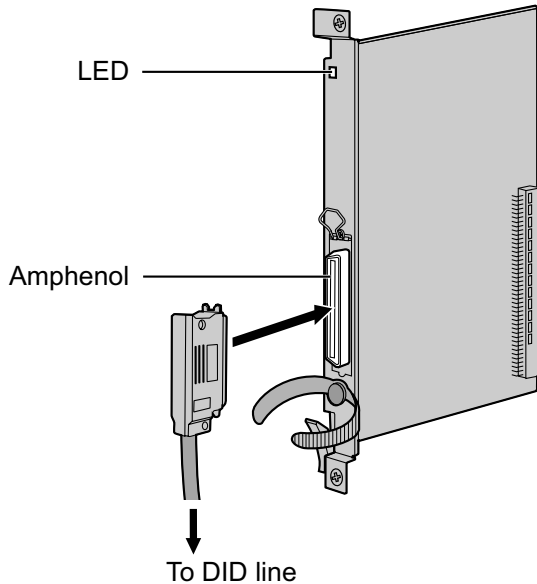
LED Indications

| Indication | Colour | Description |
|-------------|-----------|-------------------------------------------------------------------------------------------------------------------------------------------------------------------------------------------------------------------------------------------------------------------------------------------------------------------------------|
| CARD STATUS | Green/Red | Card status indication <ul style="list-style-type: none"> • OFF: Power Off • Green ON: Normal (all ports are idle) • Green Flashing (60 times per minute): Normal (a port is in use) • Red ON: Fault (includes reset) • Red Flashing (60 times per minute): Out of Service |

2.4.2 DID8 Card (KX-TDA0182)

Function

8-port DID trunk card.



Accessories and User-supplied Items

Accessories (included): Screws × 2

User-supplied (not included): Amphenol connector

Note

- To connect the Amphenol connector, refer to "2.2.9 Fastening Amphenol Connector".
- To confirm the trunk connection, refer to "Confirming the Trunk Connection" in "2.11.1 Starting the PBX".

Pin Assignments

Amphenol Connector

| | No. | Signal Name | Function | No. | Signal Name | Function |
|--|------|-------------|-------------|-------|-------------|------------|
| | 1 | RA | Ring port 1 | 26 | TA | Tip port 1 |
| | 2 | RB | Ring port 2 | 27 | TB | Tip port 2 |
| | 3 | RC | Ring port 3 | 28 | TC | Tip port 3 |
| | 4 | RD | Ring port 4 | 29 | TD | Tip port 4 |
| | 5 | RE | Ring port 5 | 30 | TE | Tip port 5 |
| | 6 | RF | Ring port 6 | 31 | TF | Tip port 6 |
| | 7 | RG | Ring port 7 | 32 | TG | Tip port 7 |
| | 8 | RH | Ring port 8 | 33 | TH | Tip port 8 |
| | 9-25 | Reserved | – | 34-50 | Reserved | – |

LED Indications

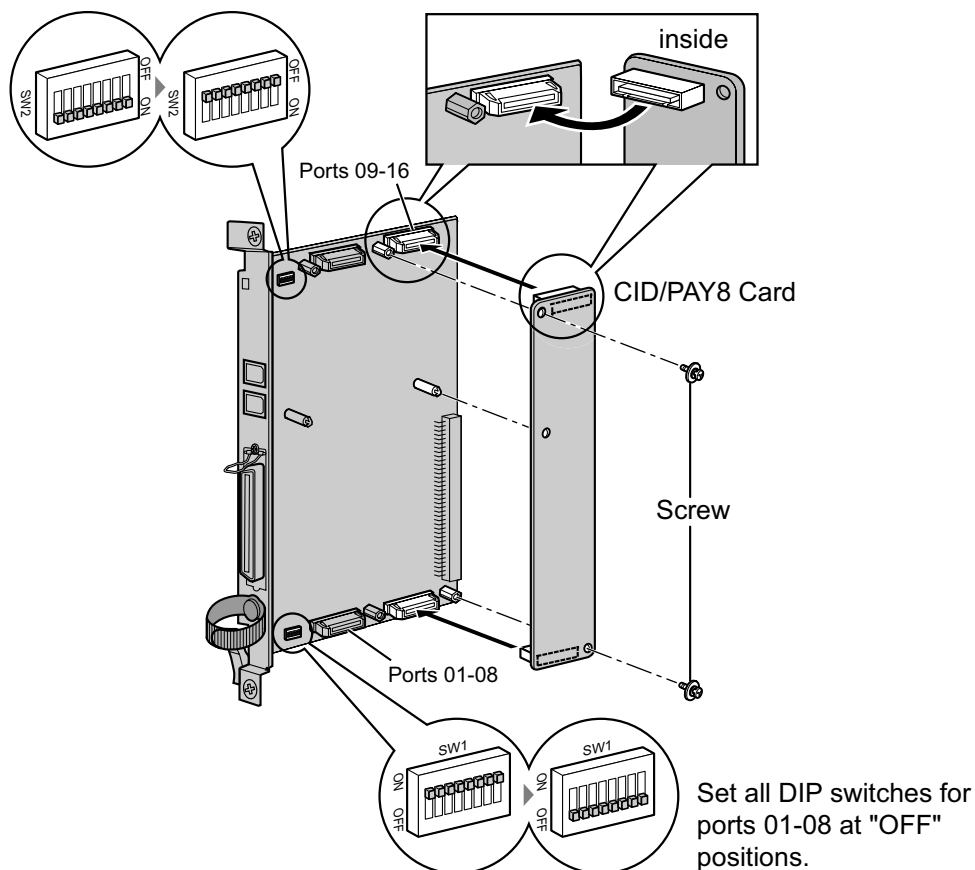
| Indication | Colour | Description |
|-------------|-----------|-------------------------------------------------------------------------------------------------------------------------------------------------------------------------------------------------------------------------------------------------------------------------------------------------------------------------|
| CARD STATUS | Green/Red | Card status indication <ul style="list-style-type: none">• OFF: Power Off• Green ON: Normal (all ports are idle)• Green Flashing (60 times per minute): Normal (a port is in use)• Red ON: Fault (includes reset)• Red Flashing (60 times per minute): Out of Service |

2.4.3 CID/PAY8 Card (KX-TDA0189)

Function

8-port Caller ID signal type FSK/FSK (with Call Waiting Caller ID [Visual Caller ID])/DTMF, and 8-port Pay Tone Service (12 kHz/16 kHz). To be mounted on the LCOT8/LCOT16 card.

Set all DIP switches for ports
09-16 at "OFF" positions
(LCOT16 card only).



Accessories and User-supplied Items

Accessories (included): Screws × 2

User-supplied (not included): none

Note

Only 1 CID/PAY8 card can be mounted on the LCOT8 card.

Switch Settings (on LCOT8/LCOT16 cards)

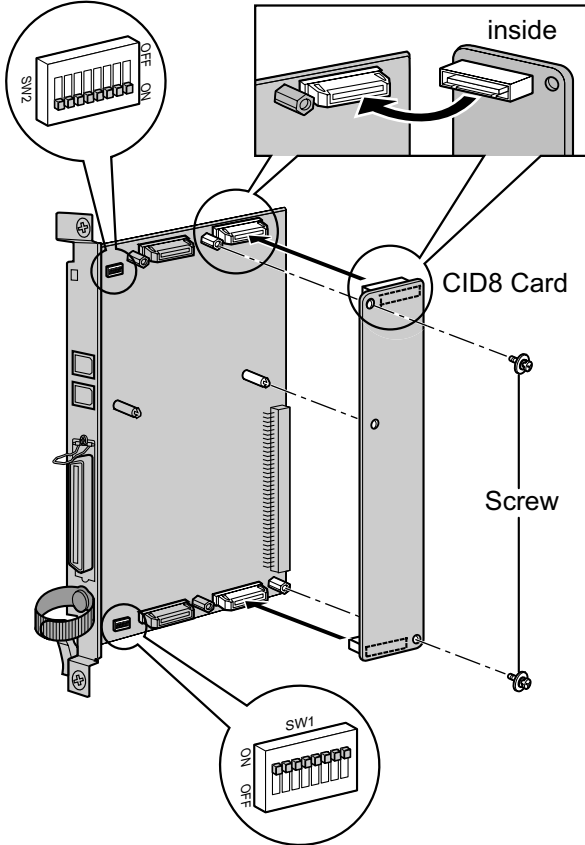
| Switch | Type | Usage and Status Definition |
|--------------|------|-------------------------------------------------------------------------------------------------|
| Port Setting | DIP | Set all DIP switches at "OFF" positions. Note SW2 is for the LCOT16 card only. |

2.4.4 CID8 Card (KX-TDA0193)

Function

8-port Caller ID signal type FSK/FSK (with Call Waiting Caller ID [Visual Caller ID])/DTMF. To be mounted on the LCOT8/LCOT16 card.

LCOT16 card only



Accessories and User-supplied Items

Accessories (included): Screws × 2

User-supplied (not included): none

Note

Only 1 CID8 card can be mounted on the LCOT8 card.

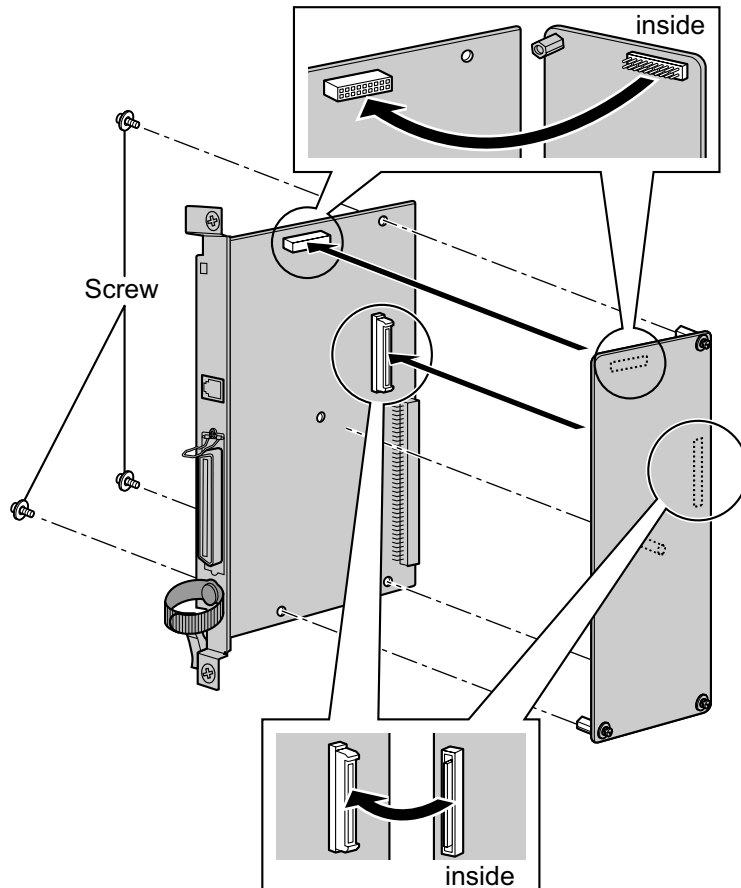
Switch Settings (on LCOT8/LCOT16 cards)

| Switch | Type | Usage and Status Definition |
|--------------|------|--------------------------------------------------------------------------------------------------------------------------------------------------------|
| Port Setting | DIP | Keep all DIP switches at default "ON" positions. Do not change the positions of these switches. Note SW2 is for the LCOT16 card only. |

2.4.5 CLCOT8E Card (KX-TDA1186)

Function

8-port analogue trunk daughter card with Caller ID. Caller ID signal type FSK/FSK (with Call Waiting Caller ID [Visual Caller ID])/DTMF compatible. To be mounted on the CLCOT8 card.



Accessories and User-supplied Items

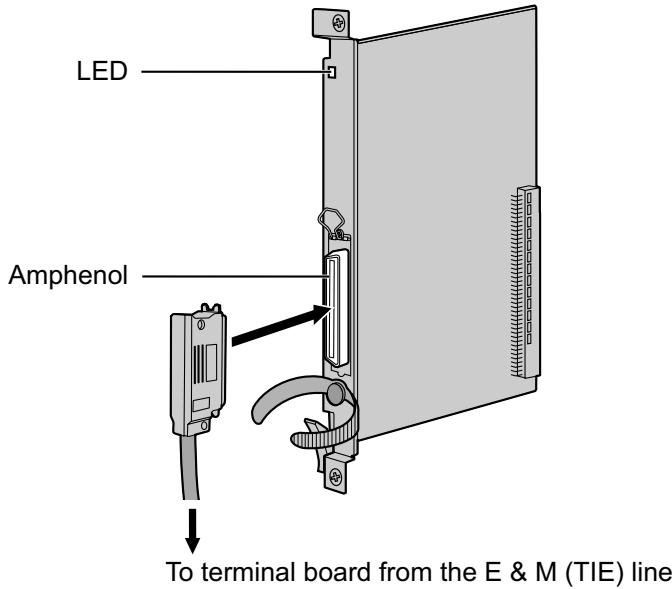
Accessories (included): Screws × 3

User-supplied (not included): none

2.4.6 E&M8 Card (KX-TDA0184)

Function

8-port E & M (TIE) trunk card. Type 5 support.



Accessories and User-supplied Items

Accessories (included): Screws × 2

User-supplied (not included): Amphenol connector

Note

- Connect this optional service card to the trunk through terminal board from the E & M (TIE) line; do not connect to the trunk directly.
- To connect the Amphenol connector, refer to "2.2.9 Fastening Amphenol Connector".
- To confirm the trunk connection, refer to "Confirming the Trunk Connection" in "2.11.1 Starting the PBX".

Pin Assignments

Amphenol Connector

| | No. | Signal Name | Function | No. | Signal Name | Function |
|--|-----|-------------|----------------|-----|-------------|----------------|
| | 1 | TA | Tip port 1 | 26 | RA | Ring port 1 |
| | 2 | T1A | Tip 1 port 1 | 27 | R1A | Ring 1 port 1 |
| | 3 | EA | E line port 1 | 28 | MA | M line port 1 |
| | 4 | SGA | SG line port 1 | 29 | SGB | SG line port 2 |
| | 5 | TB | Tip port 2 | 30 | RB | Ring port 2 |
| | 6 | T1B | Tip 1 port 2 | 31 | R1B | Ring 1 port 2 |
| | 7 | EB | E line port 2 | 32 | MB | M line port 2 |
| | 8 | TC | Tip port 3 | 33 | RC | Ring port 3 |

| | No. | Signal Name | Function | No. | Signal Name | Function |
|--|-----|-------------|---------------|-----|-------------|---------------|
| | 9 | T1C | Tip 1 port 3 | 34 | R1C | Ring 1 port 3 |
| | 10 | EC | E line port 3 | 35 | MC | M line port 3 |
| | 11 | TD | Tip port 4 | 36 | RD | Ring port 4 |
| | 12 | T1D | Tip 1 port 4 | 37 | R1D | Ring 1 port 4 |
| | 13 | ED | E line port 4 | 38 | MD | M line port 4 |
| | 14 | TE | Tip port 5 | 39 | RE | Ring port 5 |
| | 15 | T1E | Tip 1 port 5 | 40 | R1E | Ring 1 port 5 |
| | 16 | EE | E line port 5 | 41 | ME | M line port 5 |
| | 17 | TF | Tip port 6 | 42 | RF | Ring port 6 |
| | 18 | T1F | Tip 1 port 6 | 43 | R1F | Ring 1 port 6 |
| | 19 | EF | E line port 6 | 44 | MF | M line port 6 |
| | 20 | TG | Tip port 7 | 45 | RG | Ring port 7 |
| | 21 | T1G | Tip 1 port 7 | 46 | R1G | Ring 1 port 7 |
| | 22 | EG | E line port 7 | 47 | MG | M line port 7 |
| | 23 | TH | Tip port 8 | 48 | RH | Ring port 8 |
| | 24 | T1H | Tip 1 port 8 | 49 | R1H | Ring 1 port 8 |
| | 25 | EH | E line port 8 | 50 | MH | M line port 8 |

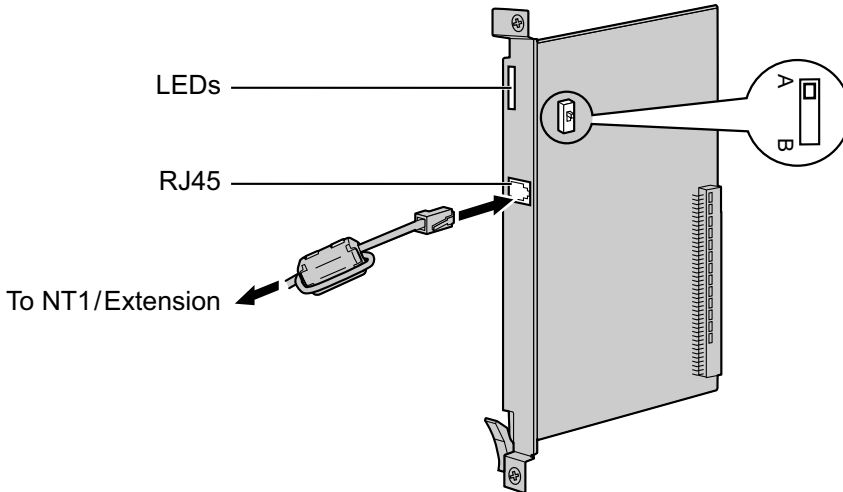
LED Indications

| Indication | Colour | Description |
|-------------|-----------|-------------------------------------------------------------------------------------------------------------------------------------------------------------------------------------------------------------------------------------------------------------------------------------------------------------------------------|
| CARD STATUS | Green/Red | Card status indication <ul style="list-style-type: none"> • OFF: Power Off • Green ON: Normal (all ports are idle) • Green Flashing (60 times per minute): Normal (a port is in use) • Red ON: Fault (includes reset) • Red Flashing (60 times per minute): Out of Service |

2.4.7 T1 Card (KX-TDA0187)

Function

1-port T1 trunk card. EIA/TIA standard compliant.



Accessories and User-supplied Items

Accessories (included): Ferrite core × 1

User-supplied (not included): RJ45 connector

CAUTION

- When connecting this optional service card to the trunk, connect through NT1; do not connect to the trunk directly.
- T1 ports are SELV ports and should only be connected to SELV services.

Notice

When connecting the RJ45 connector, attach the included ferrite core. Refer to "2.2.8 Attaching a Ferrite Core".

Note

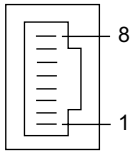
- This optional service card can be used for either trunk or extension connection, by setting the A/B switch or using the connector with appropriate pin assignments.
- To confirm the trunk connection, refer to "Confirming the Trunk Connection" in "2.11.1 Starting the PBX".

Switch Settings

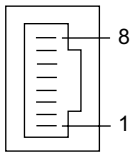
| Switch | Type | Usage and Status Definition |
|--------|-------|------------------------------------------------------|
| A/B | Slide | Select A (default) for trunk or B for extension use. |

Pin Assignments

RJ45 Connector for Trunk Use

| | No. | Signal Name | Level [V] | Function |
|-----------------------------------------------------------------------------------|-----|-------------|-----------|-------------------|
|  | 1 | RX+ | (+) | Receive data (+) |
| | 2 | RX- | (-) | Receive data (-) |
| | 3 | Reserved | – | – |
| | 4 | TX- | (-) | Transmit data (-) |
| | 5 | TX+ | (+) | Transmit data (+) |
| | 6-8 | Reserved | – | – |

RJ45 Connector for Extension Use

| | No. | Signal Name | Level [V] | Function |
|------------------------------------------------------------------------------------|-----|-------------|-----------|-------------------|
|  | 1 | TX- | (-) | Transmit data (-) |
| | 2 | TX+ | (+) | Transmit data (+) |
| | 3 | Reserved | – | – |
| | 4 | RX+ | (+) | Receive data (+) |
| | 5 | RX- | (-) | Receive data (-) |
| | 6-8 | Reserved | – | – |

LED Indications

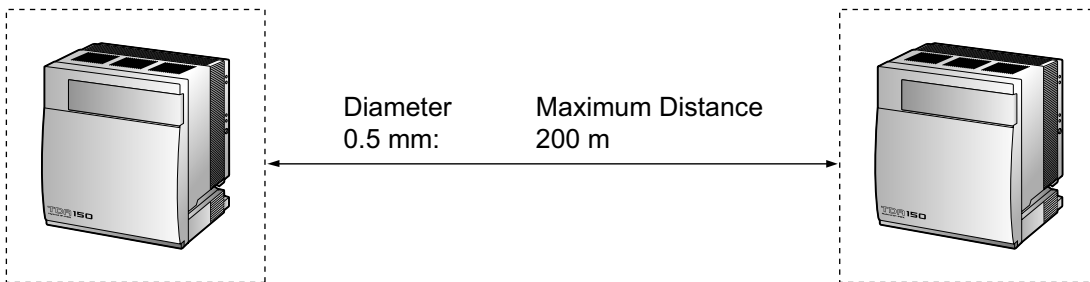
| Indication | Colour | Description |
|-------------|-----------|-------------------------------------------------------------------------------------------------------------------------------------------------------------------------------------------------------------------------------------------------------------------------------------------------------------------------------|
| CARD STATUS | Green/Red | Card status indication <ul style="list-style-type: none"> • OFF: Power Off • Green ON: Normal (all ports are idle) • Green Flashing (60 times per minute): Normal (a port is in use) • Red ON: Fault (includes reset) • Red Flashing (60 times per minute): Out of Service |
| SYNC-ERR | Red | Non-synchronisation status indication <ul style="list-style-type: none"> • OFF: Normal • ON: Out of synchronisation |
| RAI | Red | RAI signal status indication <ul style="list-style-type: none"> • OFF: Normal • ON: Alarm (Clock Slave) • Flashing (60 times per minute): Alarm (Clock Master) |
| AIS | Red | AIS status indication <ul style="list-style-type: none"> • OFF: Normal • ON: Alarm |

2.4.7 T1 Card (KX-TDA0187)

| Indication | Colour | Description |
|------------|--------|------------------------------------------------------------------------------------------------------------------------------------------------------------------------------------------------------------|
| SYNC | Green | Synchronisation status indication <ul style="list-style-type: none">• OFF: Not synchronised• ON: Synchronised• Flashing (60 times per minute): Synchronised (Clock Master) |

Maximum Cabling Distance of Extension Connection

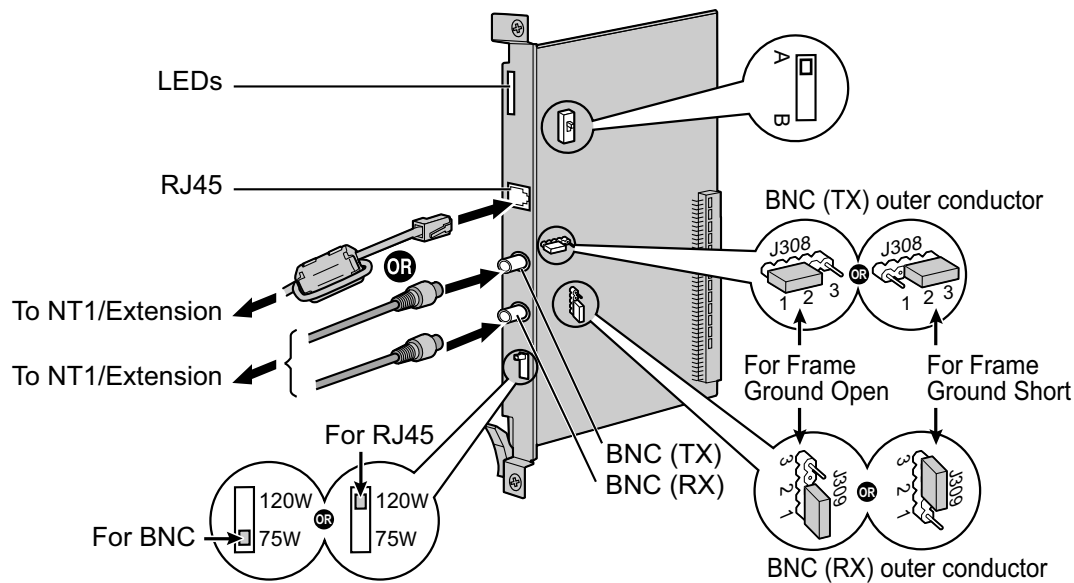
The maximum length of the extension cable that connects the T1 cards is shown below:



2.4.8 E1 Card (KX-TDA0188)

Function

1-port E1 trunk card. ITU-T standard compliant.



Accessories and User-supplied Items

Accessories (included): Ferrite core × 1

User-supplied (not included): RJ45 or BNC connector

CAUTION

- When connecting this optional service card to the trunk, connect through NT1; do not connect to the trunk directly.
- E1 ports are SELV ports and should only be connected to SELV services.

Notice

When connecting the RJ45 connector, attach the included ferrite core. Refer to "2.2.8 Attaching a Ferrite Core".

Note

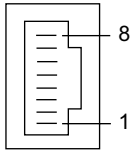
- In some countries/areas, this optional service card must not be connected to the Public Switched Telephone Network.
- Use only 1 type of connector (RJ45 or BNC) for connection; RJ45 and BNC cannot be used simultaneously.
- This optional service card can be used for either trunk or extension connection, by setting the A/B switch or using the connector with appropriate pin assignments.
- To confirm the trunk connection, refer to "Confirming the Trunk Connection" in "2.11.1 Starting the PBX".

Switch Settings

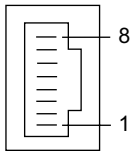
| Switch | Type | Usage and Status Definition |
|--------------------|-----------|--------------------------------------------------------------------------------------------------------------------------------------------------------------|
| Termination | Slide | Select 120 Ω (default) or 75 Ω to match the connector type to be used. |
| A/B | Slide | When using an RJ45 connector, select A (default) for trunk or B for extension use. When using BNC connectors, make sure that A is selected. |
| Frame Ground Short | Short pin | J308 is for BNC (TX) outer conductor, and J309 is for BNC (RX) outer conductor. Connection of 1 and 2: Open (default) Connection of 2 and 3: Short |

Pin Assignments

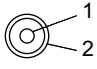
RJ45 Connector for Trunk Use

| | No. | Signal Name | Level [V] | Function |
|------------------------------------------------------------------------------------|-----|-------------|-----------|-------------------|
|  | 1 | RX+ | (+) | Receive data (+) |
| | 2 | RX- | (-) | Receive data (-) |
| | 3 | Reserved | - | - |
| | 4 | TX- | (-) | Transmit data (-) |
| | 5 | TX+ | (+) | Transmit data (+) |
| | 6-8 | Reserved | - | - |

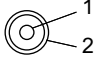
RJ45 Connector for Extension use

| | No. | Signal Name | Level [V] | Function |
|-------------------------------------------------------------------------------------|-----|-------------|-----------|-------------------|
|  | 1 | TX- | (-) | Transmit data (-) |
| | 2 | TX+ | (+) | Transmit data (+) |
| | 3 | Reserved | - | - |
| | 4 | RX+ | (+) | Receive data (+) |
| | 5 | RX- | (-) | Receive data (-) |
| | 6-8 | Reserved | - | - |

BNC (coaxial) Connector (TX)

| | No. | Signal Name | Level [V] | Function |
|-------------------------------------------------------------------------------------|-----|-------------|-----------|-------------------|
|  | 1 | TX+ | (+) | Transmit data (+) |
| | 2 | TX- | (-) | Transmit data (-) |

BNC (coaxial) Connector (RX)

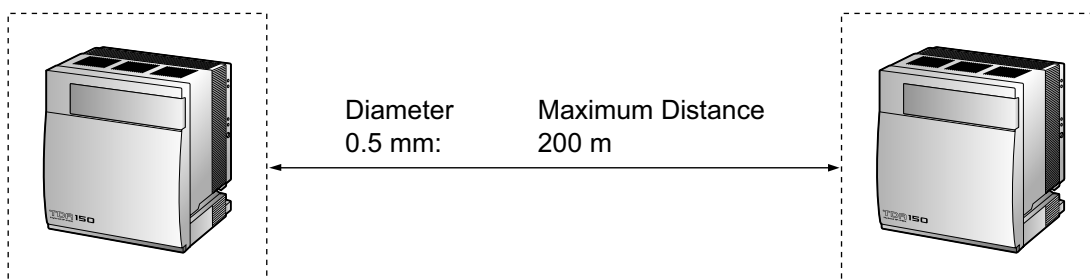
| | No. | Signal Name | Level [V] | Function |
|-----------------------------------------------------------------------------------|-----|-------------|-----------|------------------|
|  | 1 | RX- | (-) | Receive data (-) |
| | 2 | RX+ | (+) | Receive data (+) |

LED Indications

| Indication | Colour | Description |
|-------------|-----------|-------------------------------------------------------------------------------------------------------------------------------------------------------------------------------------------------------------------------------------------------------------------------------------------------------------------------------|
| CARD STATUS | Green/Red | Card status indication <ul style="list-style-type: none"> • OFF: Power Off • Green ON: Normal (all ports are idle) • Green Flashing (60 times per minute): Normal (a port is in use) • Red ON: Fault (includes reset) • Red Flashing (60 times per minute): Out of Service |
| SYNC-ERR | Red | Non-synchronisation status indication <ul style="list-style-type: none"> • OFF: Normal • ON: Out of synchronisation |
| RAI | Red | RAI signal status indication <ul style="list-style-type: none"> • OFF: Normal • ON: Alarm (Clock Slave) • Flashing (60 times per minute): Alarm (Clock Master) |
| AIS | Red | AIS status indication <ul style="list-style-type: none"> • OFF: Normal • ON: Alarm |
| SYNC | Green | Synchronisation status indication <ul style="list-style-type: none"> • OFF: Not synchronised • ON: Synchronised • Flashing (60 times per minute): Synchronised (Clock Master) |

Maximum Cabling Distance of Extension Connection

The maximum length of the extension cable that connects the E1 cards is shown below:

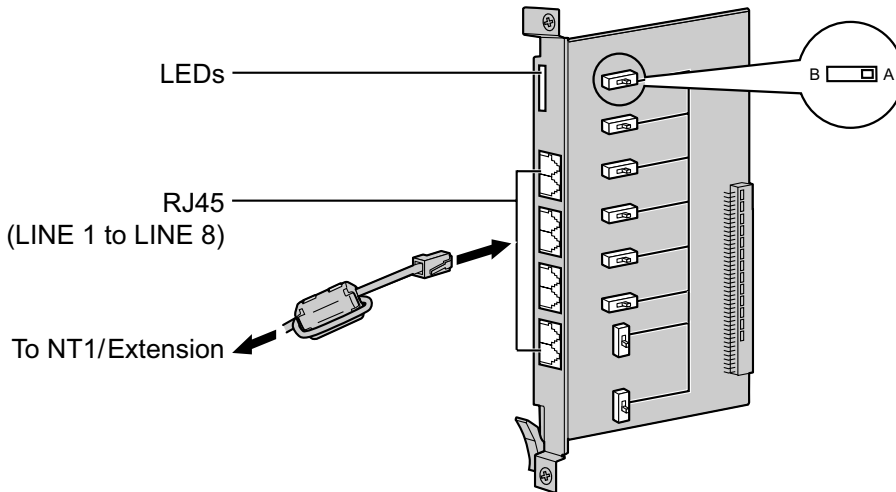


2.4.9 BRI4 Card (KX-TDA0284) and BRI8 Card (KX-TDA0288)

Function

BRI4: 4-port ISDN Basic Rate Interface card with 1 power failure transfer port. EURO-ISDN/ETSI compliant.

BRI8: 8-port ISDN Basic Rate Interface card with 1 power failure transfer port. EURO-ISDN/ETSI compliant.



Accessories and User-supplied Items

Accessories (included): Ferrite core(s) × 1 (BRI4 card) or 2 (BRI8 card)

User-supplied (not included): RJ45 connector

CAUTION

- If the connected ISDN terminal has no external power source, make sure that the power is supplied from the BRI4/BRI8 card by programming the PBX accordingly. However, if there is an external power source to the terminal, make sure that there is no power supplied to the terminal from the BRI4/BRI8 card. Failure to do so may cause damage to the power supply circuit of the BRI4/BRI8 card or the terminal.
- When connecting these optional service cards to the trunk, connect through an NT1; do not connect to the U interface of the trunk directly.

Notice

When connecting the RJ45 connector, attach the included ferrite core. Refer to "2.2.8 Attaching a Ferrite Core".

Note

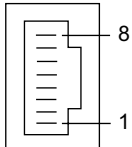
- LINE 5 to LINE 8 are for BRI8 card only.
- These optional service cards have 100 Ω of terminal resistance. For use in point to multi-point connection, the cards must be placed at the end of the bus.
- These optional service cards can be used for either trunk or extension connection, by setting the A/B switch or using the connector with appropriate pin assignments.
- For details about power failure transfer, refer to "2.10.1 Power Failure Connections".
- To confirm the trunk connection, refer to "Confirming the Trunk Connection" in "2.11.1 Starting the PBX".

Switch Settings

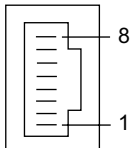
| Switch | Type | Usage and Status Definition |
|--------|-------|------------------------------------------------------|
| A/B | Slide | Select A (default) for trunk or B for extension use. |

Pin Assignments

RJ45 Connector for Trunk Use

| | No. | Signal Name | Level [V] | Function |
|-----------------------------------------------------------------------------------|-----|-------------|-----------|-----------------|
|  | 1-2 | Reserved | – | – |
| | 3 | TX1 | (+) | Transmit data 1 |
| | 4 | RX2 | (+) | Receive data 2 |
| | 5 | RX1 | (-) | Receive data 1 |
| | 6 | TX2 | (-) | Transmit data 2 |
| | 7-8 | Reserved | – | – |

RJ45 Connector for Extension Use

| | No. | Signal Name | Level [V] | Function |
|-------------------------------------------------------------------------------------|-----|-------------|-----------|-----------------|
|  | 1-2 | Reserved | – | – |
| | 3 | RX2 | (+) | Receive data 2 |
| | 4 | TX1 | (+) | Transmit data 1 |
| | 5 | TX2 | (-) | Transmit data 2 |
| | 6 | RX1 | (-) | Receive data 1 |
| | 7-8 | Reserved | – | – |

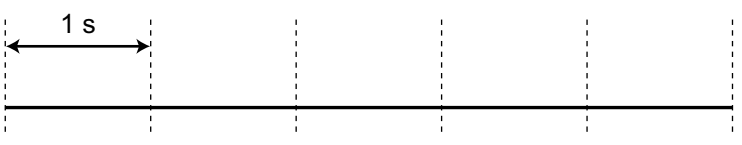
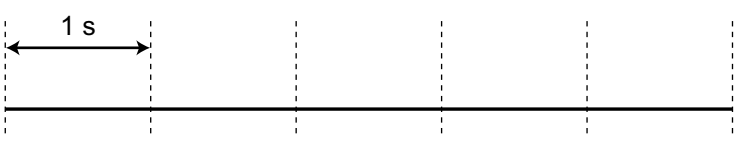
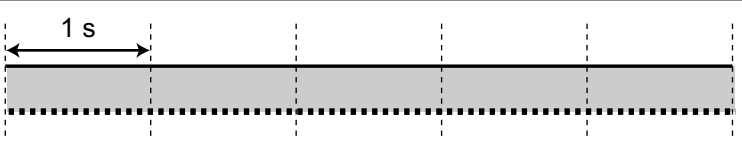
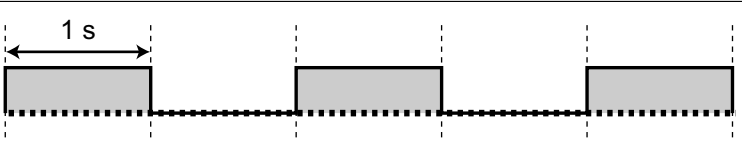
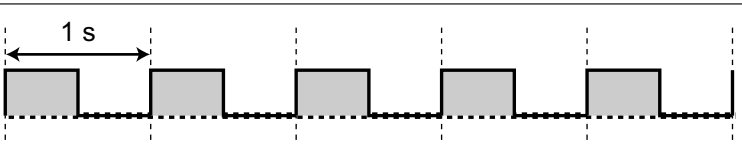
LED Indications

| Indication | Colour | Description |
|-------------|-----------|-------------------------------------------------------------------------------------------------------------------------------------------------------------------------------------------------------------------------------------------------------------------------------------------------------------------------------|
| CARD STATUS | Green/Red | Card status indication <ul style="list-style-type: none"> • OFF: Power Off • Green ON: Normal (all ports are idle) • Green Flashing (60 times per minute): Normal (a port is in use) • Red ON: Fault (includes reset) • Red Flashing (60 times per minute): Out of Service |

2.4.9 BRI4 Card (KX-TDA0284) and BRI8 Card (KX-TDA0288)

| Indication | Colour | Description |
|------------------------------------------------------------------------------|--------|-------------------------------------------------------------------------------------------------------------------------------------------------------------|
| LINE 8 LINE 7 LINE 6 LINE 5 LINE 4 LINE 3 LINE 2 LINE 1 | Green | Line status indication (LINE 1 to LINE 8); Refer to "LINE LED Pattern" below for details. Note LINE 5 to LINE 8 are for BRI8 card only. |

LINE LED Pattern

| Layer 1 | Layer 2 | Master Clock | LED Pattern |
|---------|---------|--------------|--------------------------------------------------------------------------------------|
| OFF | OFF | OFF |  |
| ON | OFF | OFF |  |
| ON | ON | OFF |  |
| ON | OFF | ON |  |
| ON | ON | ON |  |

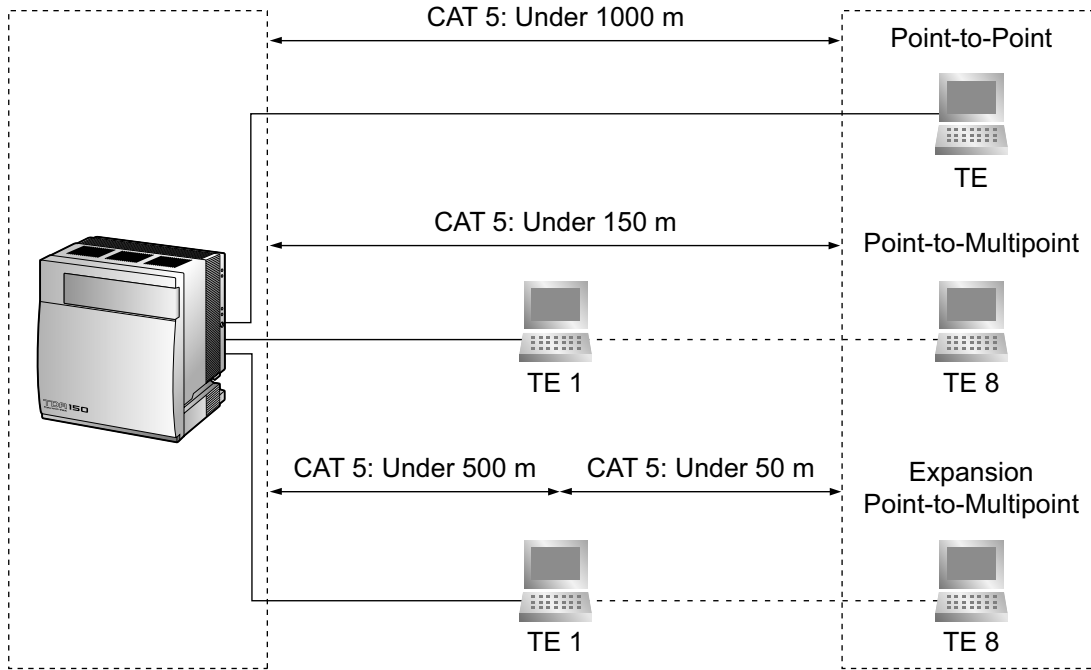
Layer 1: ON (Synchronous)

Layer 2: ON (Link established)/OFF (Link not established)

Master Clock: ON (Master)/OFF (Slave)

Maximum Cabling Distance of S0 Bus Connection

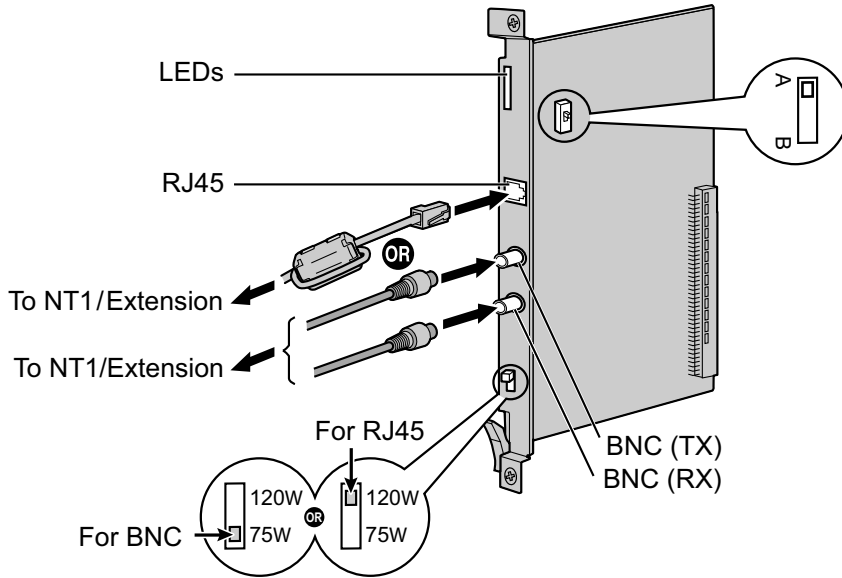
The maximum length of the extension cable that connects the PBX and the ISDN terminal equipment (TE) is shown below:



2.4.10 PRI30 Card (KX-TDA0290CE/KX-TDA0290CJ)

Function

1-port ISDN Primary Rate Interface card (30B channels). EURO-ISDN/ETSI compliant.



Accessories and User-supplied Items

Accessories (included): Ferrite core × 1

User-supplied (not included): RJ45 or BNC connector

CAUTION

- When connecting this optional service card to the trunk, connect through an NT1; do not connect to the U interface of the trunk directly.
- PRI ports are SELV ports and should only be connected to SELV services.

Notice

When connecting the RJ45 connector, attach the included ferrite core. Refer to "2.2.8 Attaching a Ferrite Core".

Note

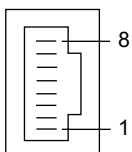
- In some countries/areas, this optional service card must not be connected to the Public Switched Telephone Network.
- Use only 1 type of connector (RJ45 or BNC) for connection; RJ45 and BNC cannot be used simultaneously.
- This optional service card can be used for either trunk or extension connection, by setting the A/B switch or using the connector with appropriate pin assignments.
- To confirm the trunk connection, refer to "Confirming the Trunk Connection" in "2.11.1 Starting the PBX".

Switch Settings

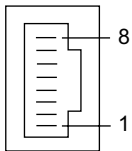
| Switch | Type | Usage and Status Definition |
|-------------|-------|------------------------------------------------------------------------------------------------------------------------------------------------|
| Termination | Slide | Select 120 Ω (default) or 75 Ω to match the connector type to be used. |
| A/B | Slide | When using an RJ45 connector, select A (default) for trunk or B for extension use. When using BNC connectors, make sure that A is selected. |

Pin Assignments


RJ45 Connector for Trunk Use

| | No. | Signal Name | Level [V] | Function |
|-----------------------------------------------------------------------------------|-----|-------------|-----------|-------------------|
|  | 1 | RX+ | (+) | Receive data (+) |
| | 2 | RX- | (-) | Receive data (-) |
| | 3 | Reserved | – | – |
| | 4 | TX- | (-) | Transmit data (-) |
| | 5 | TX+ | (+) | Transmit data (+) |
| | 6-8 | Reserved | – | – |


RJ45 Connector for Extension Use

| | No. | Signal Name | Level [V] | Function |
|-------------------------------------------------------------------------------------|-----|-------------|-----------|-------------------|
|  | 1 | TX- | (-) | Transmit data (-) |
| | 2 | TX+ | (+) | Transmit data (+) |
| | 3 | Reserved | – | – |
| | 4 | RX+ | (+) | Receive data (+) |
| | 5 | RX- | (-) | Receive data (-) |
| | 6-8 | Reserved | – | – |

BNC (coaxial) Connector (TX)

| | No. | Signal Name | Level [V] | Function |
|-------------------------------------------------------------------------------------|-----|-------------|-----------|-------------------|
|  | 1 | TX+ | (+) | Transmit data (+) |
| | 2 | TX- | (-) | Transmit data (-) |

BNC (coaxial) Connector (RX)

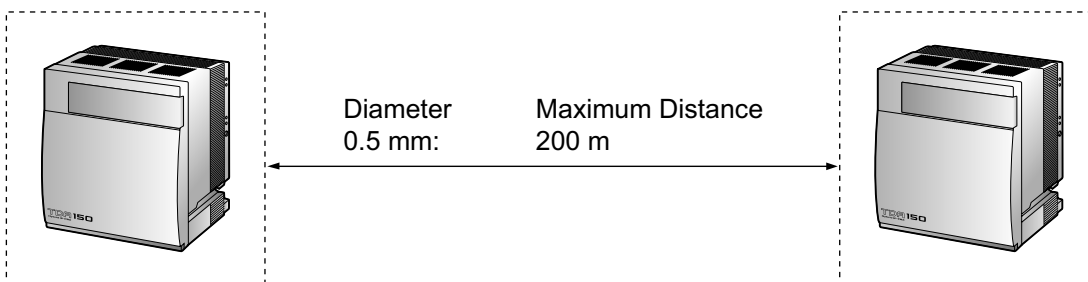
| | No. | Signal Name | Level [V] | Function |
|-------------------------------------------------------------------------------------|-----|-------------|-----------|------------------|
|  | 1 | RX- | (-) | Receive data (-) |
| | 2 | RX+ | (+) | Receive data (+) |

LED Indications

| Indication | Colour | Description |
|-------------|-----------|-------------------------------------------------------------------------------------------------------------------------------------------------------------------------------------------------------------------------------------------------------------------------------------------------------------------------------|
| CARD STATUS | Green/Red | Card status indication <ul style="list-style-type: none"> • OFF: Power Off • Green ON: Normal (all ports are idle) • Green Flashing (60 times per minute): Normal (a port is in use) • Red ON: Fault (includes reset) • Red Flashing (60 times per minute): Out of Service |
| SYNC-ERR | Red | Non-synchronisation status indication <ul style="list-style-type: none"> • OFF: Normal • ON: Out of synchronisation |
| RAI | Red | RAI signal status indication <ul style="list-style-type: none"> • OFF: Normal • ON: Alarm (Clock Slave) • Flashing (60 times per minute): Alarm (Clock Master) |
| AIS | Red | AIS status indication <ul style="list-style-type: none"> • OFF: Normal • ON: Alarm |
| SYNC | Green | Synchronisation status indication <ul style="list-style-type: none"> • OFF: Not synchronised • ON: Synchronised • Flashing (60 times per minute): Synchronised (Clock Master) |
| D-LINK | Green | Data link status indication <ul style="list-style-type: none"> • OFF: Not established • ON: Established |

Maximum Cabling Distance of Extension Connection

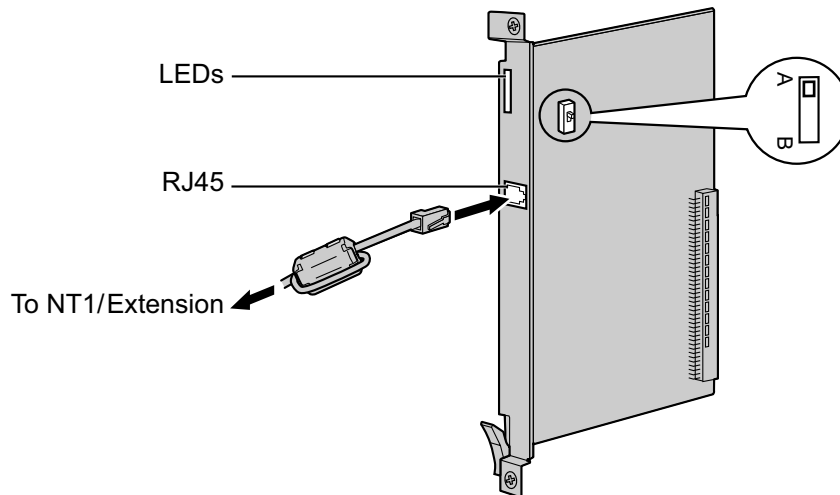
The maximum length of the extension cable that connects the PRI30 cards is shown below:



2.4.11 PRI23 Card (KX-TDA0290)

Function

1-port ISDN Primary Rate Interface card (23B channels). NI (North American standard ISDN protocol) compliant.



Accessories and User-supplied Items

Accessories (included): Ferrite core × 1

User-supplied (not included): RJ45 connector

CAUTION

- When connecting this optional service card to the trunk, connect through an NT1; do not connect to the U interface of the trunk directly.
- PRI ports are SELV ports and should only be connected to SELV services.

Notice

When connecting the RJ45 connector, attach the included ferrite core. Refer to "2.2.8 Attaching a Ferrite Core".

Note

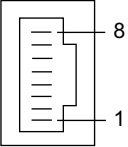
- This optional service card can be used for either trunk or extension connection, by setting the A/B switch or using the connector with appropriate pin assignments.
- To confirm the trunk connection, refer to "Confirming the Trunk Connection" in "2.11.1 Starting the PBX".

Switch Settings

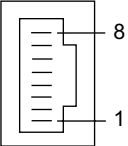
| Switch | Type | Usage and Status Definition |
|--------|-------|------------------------------------------------------|
| A/B | Slide | Select A (default) for trunk or B for extension use. |

Pin Assignments

RJ45 Connector for Trunk Use

| | No. | Signal Name | Level [V] | Function |
|-----------------------------------------------------------------------------------|-----|-------------|-----------|-------------------|
|  | 1 | RX+ | (+) | Receive data (+) |
| | 2 | RX- | (-) | Receive data (-) |
| | 3 | Reserved | – | – |
| | 4 | TX- | (-) | Transmit data (-) |
| | 5 | TX+ | (+) | Transmit data (+) |
| | 6-8 | Reserved | – | – |

RJ45 Connector for Extension Use

| | No. | Signal Name | Level [V] | Function |
|------------------------------------------------------------------------------------|-----|-------------|-----------|-------------------|
|  | 1 | TX- | (-) | Transmit data (-) |
| | 2 | TX+ | (+) | Transmit data (+) |
| | 3 | Reserved | – | – |
| | 4 | RX+ | (+) | Receive data (+) |
| | 5 | RX- | (-) | Receive data (-) |
| | 6-8 | Reserved | – | – |

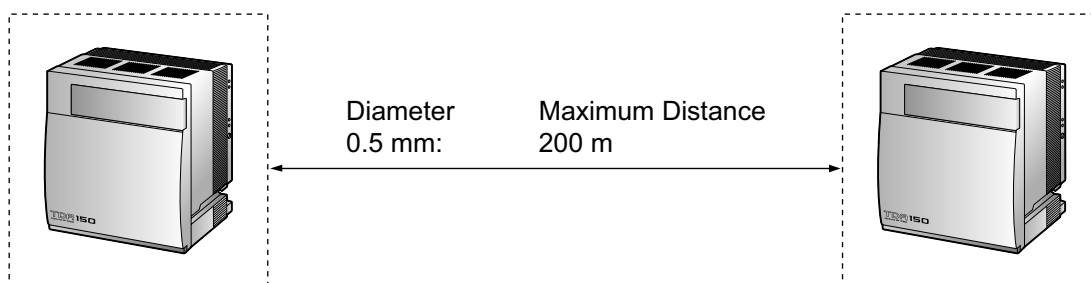
LED Indications

| Indication | Colour | Description |
|-------------|-----------|-------------------------------------------------------------------------------------------------------------------------------------------------------------------------------------------------------------------------------------------------------------------------------------------------------------------------------|
| CARD STATUS | Green/Red | Card status indication <ul style="list-style-type: none"> • OFF: Power Off • Green ON: Normal (all ports are idle) • Green Flashing (60 times per minute): Normal (a port is in use) • Red ON: Fault (includes reset) • Red Flashing (60 times per minute): Out of Service |
| SYNC-ERR | Red | Non-synchronisation status indication <ul style="list-style-type: none"> • OFF: Normal • ON: Out of synchronisation |
| RAI | Red | RAI signal status indication <ul style="list-style-type: none"> • OFF: Normal • ON: Alarm (Clock Slave) • Flashing (60 times per minute): Alarm (Clock Master) |
| AIS | Red | AIS status indication <ul style="list-style-type: none"> • OFF: Normal • ON: Alarm |

| Indication | Colour | Description |
|------------|--------|----------------------------------------------------------------------------------------------------------------------------------------------------------------------------------------------------------------|
| SYNC | Green | Synchronisation status indication <ul style="list-style-type: none"> • OFF: Not synchronised • ON: Synchronised • Flashing (60 times per minute): Synchronised (Clock Master) |
| D-LINK | Green | Data link status indication <ul style="list-style-type: none"> • OFF: Not established • ON: Established |

Maximum Cabling Distance of Extension Connection

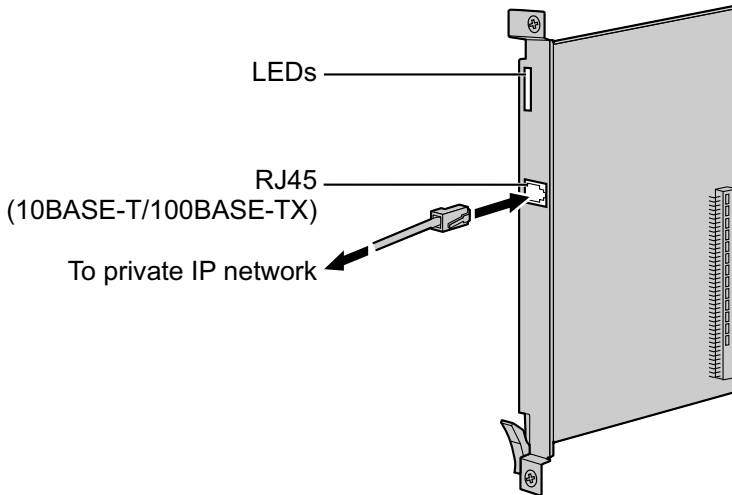
The maximum length of the extension cable that connects the PRI23 cards is shown below:



2.4.12 IP-GW4E Card (KX-TDA0484)

Function

4-channel VoIP gateway card. Compliant with VoIP H.323 V.2 protocol, and ITU-T G.729a, G.723.1, and G.711 codec methods.



Accessories and User-supplied Items

Accessories (included): CD-ROM (including documentation for web programming) × 1

User-supplied (not included): RJ45 connector

Note

- The maximum length of the cable to be connected to this optional service card is 100 m.
- The IP-GW4E card occupies the space of only 1 free slot when it is installed in the PBX.
- For programming instructions and other information about the IP-GW4E card, refer to the documentation for the IP-GW4E card. When referring to the IP-GW4E documentation, information for the KX-TDA100 applies to the KX-TDA150. To programme the IP-GW4E card, use the web programming designed for the IP-GW4E card.
- To confirm the trunk connection, refer to "Confirming the Trunk Connection" in "2.11.1 Starting the PBX".

Pin Assignments

RJ45 Connector (10BASE-T/100BASE-TX)

| | No. | Signal Name | Input (I)/Output (O) | Function |
|--|-----|-------------|----------------------|----------------|
| | 1 | TPO+ | O | Transmit data+ |
| | 2 | TPO- | O | Transmit data- |
| | 3 | TPI+ | I | Receive data+ |
| | 4-5 | Reserved | — | — |
| | 6 | TPI- | I | Receive data- |
| | 7-8 | Reserved | — | — |

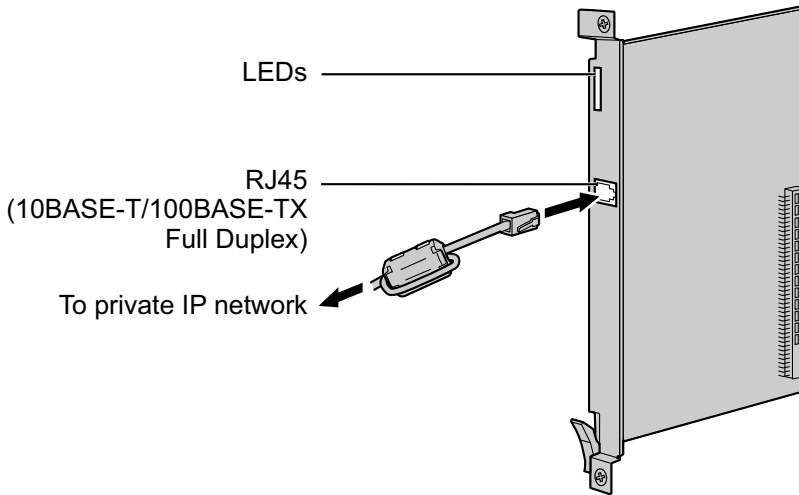
LED Indications

| Indication | Colour | Description |
|-------------|-----------|-------------------------------------------------------------------------------------------------------------------------------------------------------------------------------------------------------------------------------------------------------------------------------------------------------------------------------|
| CARD STATUS | Green/Red | Card status indication <ul style="list-style-type: none"> • OFF: Power Off • Green ON: Normal (all ports are idle) • Green Flashing (60 times per minute): Normal (a port is in use) • Red ON: Fault (includes reset) • Red Flashing (60 times per minute): Out of Service |
| ONLINE | Green | On-line status indication <ul style="list-style-type: none"> • ON: On-line mode • OFF: Off-line mode • Flashing: Maintenance mode <p>Note If the LINK indicator is OFF, the ONLINE indicator will also be OFF.</p> |
| ALARM | Red | Alarm indication <ul style="list-style-type: none"> • OFF: Normal • ON: Alarm |
| VoIP BUSY | Green | VoIP (H.323) process indication <ul style="list-style-type: none"> • OFF: VoIP process inactive • ON: VoIP process active |
| LINK | Green | Link status indication <ul style="list-style-type: none"> • OFF: Connection error • ON: Normal connection |
| DATA | Green | Data transmission indication <ul style="list-style-type: none"> • OFF: No data transmitted • ON: Data transmitting |

2.4.13 IP-GW16 Card (KX-TDA0490)

Function

16-channel VoIP gateway card. Compliant with VoIP H.323 V.2 protocol, and ITU-T G.729a, G.723.1, and G.711 codec methods.



Accessories and User-supplied Items

Accessories (included): Ferrite core × 1, CD-ROM (including documentation for web programming) × 1

User-supplied (not included): RJ45 connector

Note

- The maximum length of the cable to be connected to this optional service card is 100 m.
- When connecting the RJ45 connector, attach the included ferrite core. Refer to "2.2.8 Attaching a Ferrite Core".
- For programming instructions and other information about the IP-GW16 card, refer to the documentation for the IP-GW16 card. When referring to the IP-GW16 documentation, information for the KX-TDA100 applies to the KX-TDA150. To programme the IP-GW16 card, use the web programming designed for the IP-GW16 card.
- To confirm the trunk connection, refer to "Confirming the Trunk Connection" in "2.11.1 Starting the PBX".

Pin Assignments

RJ45 Connector (10BASE-T/100BASE-TX)

| | No. | Signal Name | Input (I)/Output (O) | Function |
|--|-----|-------------|----------------------|----------------|
| | 1 | TPO+ | O | Transmit data+ |
| | 2 | TPO- | O | Transmit data- |
| | 3 | TPI+ | I | Receive data+ |
| | 4-5 | Reserved | – | – |
| | 6 | TPI- | I | Receive data- |
| | 7-8 | Reserved | – | – |

LED Indications

| Indication | Colour | Description |
|-------------|-----------|-------------------------------------------------------------------------------------------------------------------------------------------------------------------------------------------------------------------------------------------------------------------------------------------------------------------------------|
| CARD STATUS | Green/Red | Card status indication <ul style="list-style-type: none"> • OFF: Power Off • Green ON: Normal (all ports are idle) • Green Flashing (60 times per minute): Normal (a port is in use) • Red ON: Fault (includes reset) • Red Flashing (60 times per minute): Out of Service |
| ONLINE | Green | On-line status indication <ul style="list-style-type: none"> • ON: On-line mode • OFF: Off-line mode • Flashing: Maintenance mode <p>Note If the LINK indicator is OFF, the ONLINE indicator will also be OFF.</p> |
| ALARM | Red | Alarm indication <ul style="list-style-type: none"> • OFF: Normal • ON: Alarm |
| VoIP BUSY | Green | VoIP (H.323) process indication <ul style="list-style-type: none"> • OFF: VoIP process inactive • ON: VoIP process active |
| LINK | Green | Link status indication <ul style="list-style-type: none"> • OFF: Connection error • ON: Normal connection |
| DATA | Green | Data transmission indication <ul style="list-style-type: none"> • OFF: No data transmitted • ON: Data transmitting |

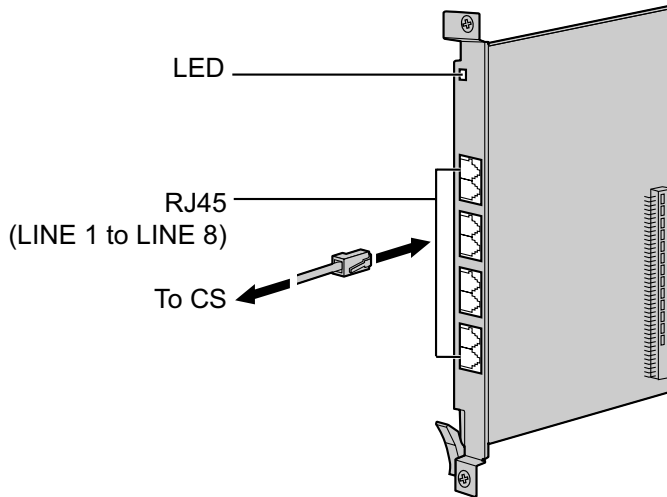
2.5 Information about the Extension Cards

2.5.1 CSIF4 Card (KX-TDA0143) and CSIF8 Card (KX-TDA0144)

Function

CSIF4: 4-port CS interface card for 4 CSs.

CSIF8: 8-port CS interface card for 8 CSs.



Accessories and User-supplied Items

Accessories (included): none

User-supplied (not included): RJ45 connector

CAUTION

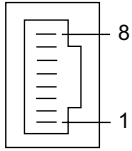
Make sure that the status of all the CSs connected to the CSIF cards are set to in-service (INS). For information about how to view CS information using the Maintenance Console, refer to "2.6.14 Utility—CS Information" in the PC Programming Manual. If there is a CS in out-of-service (OUS) status, make sure that it is securely connected to the CSIF card. If the CS remains in OUS status, there may be a fault with the connection. Do not leave the connected CS in OUS status since it may cause severe damage to the CSIF card.

Note

- LINE 5 to LINE 8 are for CSIF8 card only.
- When using the CSIF4 card, please note that the PBX software will recognise the CSIF4 card as the CSIF8 card. As a result, 8 cell stations may appear to be available; however, only 4 cell stations are supported by the CSIF4 card.
- For details about connecting CSs, refer to the Quick Installation Guide for the relevant CS.

Pin Assignments

RJ45 Connector

| | No. | Signal Name | Function |
|-----------------------------------------------------------------------------------|-----|-------------|------------------|
|  | 1-2 | Reserved | – |
| | 3 | D1 | Data port (High) |
| | 4 | POWH | Power (High) |
| | 5 | POWL | Power (Low) |
| | 6 | D2 | Data port (Low) |
| | 7-8 | Reserved | – |

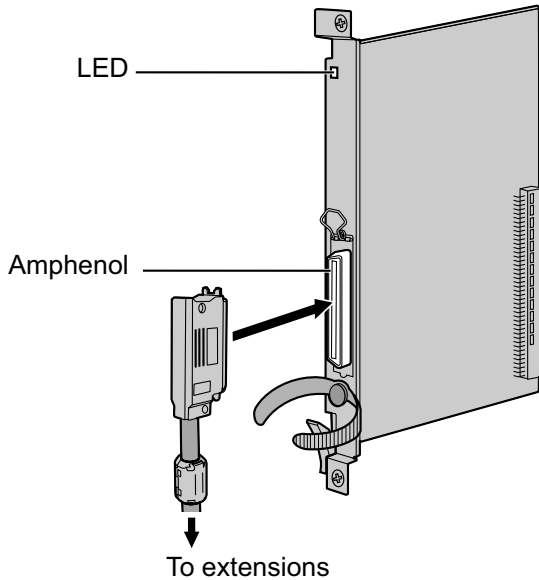
LED Indications

| Indication | Colour | Description |
|-------------|-----------|-------------------------------------------------------------------------------------------------------------------------------------------------------------------------------------------------------------------------------------------------------------------------------------------------------------------------------|
| CARD STATUS | Green/Red | Card status indication <ul style="list-style-type: none"> • OFF: Power Off • Green ON: Normal (all ports are idle) • Green Flashing (60 times per minute): Normal (a port is in use) • Red ON: Fault (includes reset) • Red Flashing (60 times per minute): Out of Service |

2.5.2 DLC8 Card (KX-TDA0171)

Function

8-port digital extension card for DPTs, DSS consoles, and PT-interface CSs.



Accessories and User-supplied Items

Accessories (included): Screws × 2, Ferrite core × 1

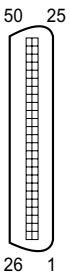
User-supplied (not included): Amphenol connector

Note

- Attach the included ferrite core to the cable. Refer to "2.2.8 Attaching a Ferrite Core".
- To connect the Amphenol connector, refer to "2.2.9 Fastening Amphenol Connector".
- To use a DLC8 card with DSS consoles or Voice Processing System (VPS), the Local Processor (LPR) software of the card must be version 7.000 or later.

Pin Assignments

Amphenol Connector

| | No. | Signal Name | Function | No. | Signal Name | Function |
|-----------------------------------------------------------------------------------|-------|-------------|-------------------|-------|-------------|--------------------|
|  | 1 | Reserved | – | 26 | Reserved | – |
| | 2 | D2A | Data port 1 (Low) | 27 | D1A | Data port 1 (High) |
| | 3-4 | Reserved | – | 28-29 | Reserved | – |
| | 5 | D2B | Data port 2 (Low) | 30 | D1B | Data port 2 (High) |
| | 6-7 | Reserved | – | 31-32 | Reserved | – |
| | 8 | D2C | Data port 3 (Low) | 33 | D1C | Data port 3 (High) |
| | 9-10 | Reserved | – | 34-35 | Reserved | – |
| | 11 | D2D | Data port 4 (Low) | 36 | D1D | Data port 4 (High) |
| | 12-13 | Reserved | – | 37-38 | Reserved | – |
| | 14 | D2E | Data port 5 (Low) | 39 | D1E | Data port 5 (High) |
| | 15-16 | Reserved | – | 40-41 | Reserved | – |
| | 17 | D2F | Data port 6 (Low) | 42 | D1F | Data port 6 (High) |
| | 18-19 | Reserved | – | 43-44 | Reserved | – |
| | 20 | D2G | Data port 7 (Low) | 45 | D1G | Data port 7 (High) |
| | 21-22 | Reserved | – | 46-47 | Reserved | – |
| | 23 | D2H | Data port 8 (Low) | 48 | D1H | Data port 8 (High) |
| | 24-25 | Reserved | – | 49-50 | Reserved | – |

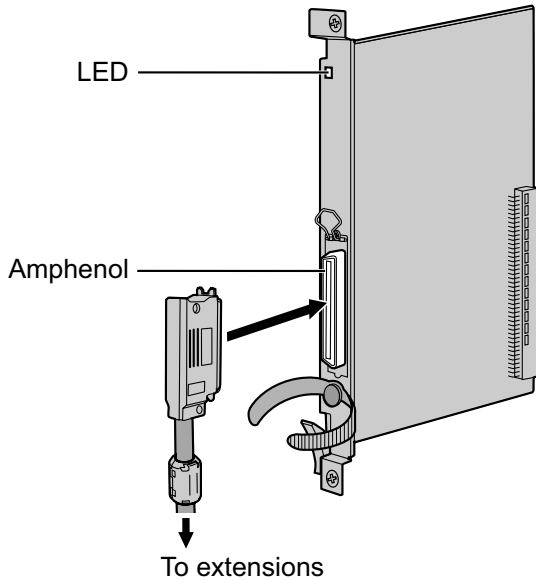
LED Indications

| Indication | Colour | Description |
|-------------|----------------------|------------------------------------------------------------------------------------------------------------------------------------------------------------------------------------------------------------------------------------------------------------------------------------------------------------------------------------------------------------------------------------------------------------------------------------------|
| CARD STATUS | Green/ Orange/Red | Card status indication <ul style="list-style-type: none"> • OFF: Power Off • Green ON: Normal (all ports are idle) • Green Flashing (60 times per minute): Normal (a port is in use) • Orange Flashing: Detection of PT-interface CS connection (when starting up the PT-interface CS) • Red ON: Fault (includes reset) • Red Flashing (60 times per minute): Out of Service |

2.5.3 DLC16 Card (KX-TDA0172)

Function

16-port digital extension card for DPTs, DSS consoles, and PT-interface CSs.



Accessories and User-supplied Items

Accessories (included): Screws × 2, Ferrite core × 1

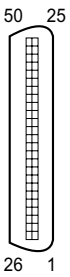
User-supplied (not included): Amphenol connector

Note

- Attach the included ferrite core to the cable. Refer to "2.2.8 Attaching a Ferrite Core".
- To connect the Amphenol connector, refer to "2.2.9 Fastening Amphenol Connector".
- To use a DLC16 card with DSS consoles or Voice Processing System (VPS), the Local Processor (LPR) software of the card must be version 7.000 or later.

Pin Assignments

Amphenol Connector

| | No. | Signal Name | Function | No. | Signal Name | Function |
|-----------------------------------------------------------------------------------|-------|-------------|--------------------|-------|-------------|---------------------|
|  | 1 | D2A | Data port 1 (Low) | 26 | D1A | Data port 1 (High) |
| | 2 | D2B | Data port 2 (Low) | 27 | D1B | Data port 2 (High) |
| | 3 | D2C | Data port 3 (Low) | 28 | D1C | Data port 3 (High) |
| | 4 | D2D | Data port 4 (Low) | 29 | D1D | Data port 4 (High) |
| | 5 | D2E | Data port 5 (Low) | 30 | D1E | Data port 5 (High) |
| | 6 | D2F | Data port 6 (Low) | 31 | D1F | Data port 6 (High) |
| | 7 | D2G | Data port 7 (Low) | 32 | D1G | Data port 7 (High) |
| | 8 | D2H | Data port 8 (Low) | 33 | D1H | Data port 8 (High) |
| | 9 | D2I | Data port 9 (Low) | 34 | D1I | Data port 9 (High) |
| | 10 | D2J | Data port 10 (Low) | 35 | D1J | Data port 10 (High) |
| | 11 | D2K | Data port 11 (Low) | 36 | D1K | Data port 11 (High) |
| | 12 | D2L | Data port 12 (Low) | 37 | D1L | Data port 12 (High) |
| | 13 | D2M | Data port 13 (Low) | 38 | D1M | Data port 13 (High) |
| | 14 | D2N | Data port 14 (Low) | 39 | D1N | Data port 14 (High) |
| | 15 | D2O | Data port 15 (Low) | 40 | D1O | Data port 15 (High) |
| | 16 | D2P | Data port 16 (Low) | 41 | D1P | Data port 16 (High) |
| | 17-25 | Reserved | – | 42-50 | Reserved | – |

LED Indications

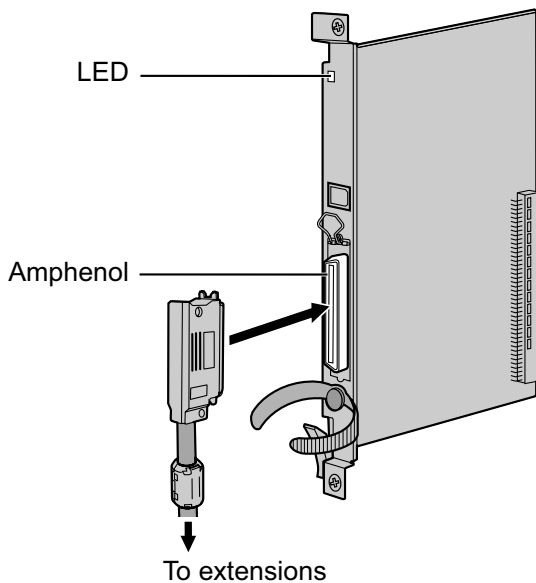
| Indication | Colour | Description |
|-------------|----------------------|------------------------------------------------------------------------------------------------------------------------------------------------------------------------------------------------------------------------------------------------------------------------------------------------------------------------------------------------------------------------------------------------------------------------------------------|
| CARD STATUS | Green/ Orange/Red | Card status indication <ul style="list-style-type: none"> • OFF: Power Off • Green ON: Normal (all ports are idle) • Green Flashing (60 times per minute): Normal (a port is in use) • Orange Flashing: Detection of PT-interface CS connection (when starting up the PT-interface CS) • Red ON: Fault (includes reset) • Red Flashing (60 times per minute): Out of Service |

2.5.4 MCSLC16 Card (KX-TDA1176) and MCSLC24 Card (KX-TDA1178)

Function

MCSLC16: 16-port extension card for SLTs with Caller ID (FSK), Message Waiting Lamp control, and 2 power failure transfer (PFT) ports. Maximum power output of 90 V for Message Waiting Lamp control.

MCSLC24: 24-port extension card for SLTs with Caller ID (FSK), Message Waiting Lamp control, and 2 power failure transfer (PFT) ports. Maximum power output of 90 V for Message Waiting Lamp control.



Accessories and User-supplied Items

Accessories (included): Screws × 2, Ferrite core × 1

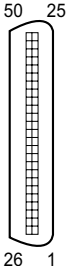
User-supplied (not included): Amphenol connector

Note

- Attach the included ferrite core to the cable. Refer to "2.2.8 Attaching a Ferrite Core".
- To connect the Amphenol connector, refer to "2.2.9 Fastening Amphenol Connector".
- For details about power failure transfer, refer to "2.10.1 Power Failure Connections".

Pin Assignments

Amphenol Connector

| | No. | Signal Name | Function | No. | Signal Name | Function |
|-----------------------------------------------------------------------------------|-----|-------------|--------------|-----|-------------|-------------|
|  | 1 | RA | Ring port 1 | 26 | TA | Tip port 1 |
| | 2 | RB | Ring port 2 | 27 | TB | Tip port 2 |
| | 3 | RC | Ring port 3 | 28 | TC | Tip port 3 |
| | 4 | RD | Ring port 4 | 29 | TD | Tip port 4 |
| | 5 | RE | Ring port 5 | 30 | TE | Tip port 5 |
| | 6 | RF | Ring port 6 | 31 | TF | Tip port 6 |
| | 7 | RG | Ring port 7 | 32 | TG | Tip port 7 |
| | 8 | RH | Ring port 8 | 33 | TH | Tip port 8 |
| | 9 | RI | Ring port 9 | 34 | TI | Tip port 9 |
| | 10 | RJ | Ring port 10 | 35 | TJ | Tip port 10 |
| | 11 | RK | Ring port 11 | 36 | TK | Tip port 11 |
| | 12 | RL | Ring port 12 | 37 | TL | Tip port 12 |
| | 13 | RM | Ring port 13 | 38 | TM | Tip port 13 |
| | 14 | RN | Ring port 14 | 39 | TN | Tip port 14 |
| | 15 | RO | Ring port 15 | 40 | TO | Tip port 15 |
| | 16 | RP | Ring port 16 | 41 | TP | Tip port 16 |
| | 17 | RQ | Ring port 17 | 42 | TQ | Tip port 17 |
| | 18 | RR | Ring port 18 | 43 | TR | Tip port 18 |
| | 19 | RS | Ring port 19 | 44 | TS | Tip port 19 |
| | 20 | RT | Ring port 20 | 45 | TT | Tip port 20 |
| | 21 | RU | Ring port 21 | 46 | TU | Tip port 21 |
| | 22 | RV | Ring port 22 | 47 | TV | Tip port 22 |
| | 23 | RW | Ring port 23 | 48 | TW | Tip port 23 |
| | 24 | RX | Ring port 24 | 49 | TX | Tip port 24 |
| | 25 | Reserved | – | 50 | Reserved | – |

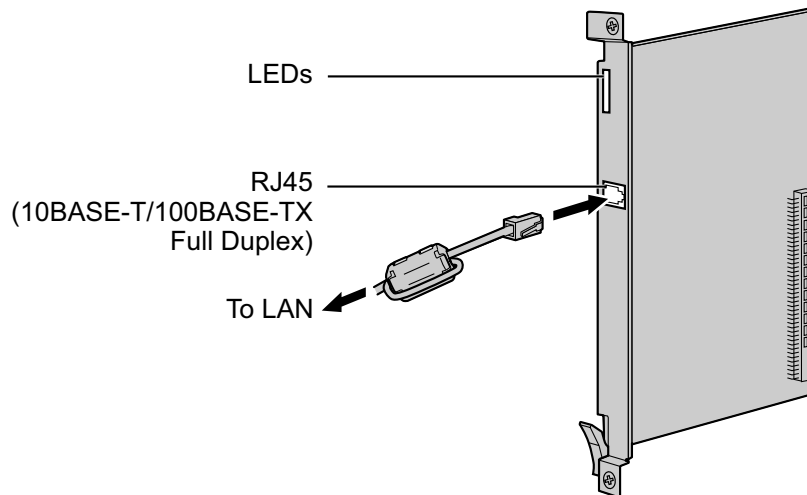
LED Indications

| Indication | Colour | Description |
|-------------|-----------|-------------------------------------------------------------------------------------------------------------------------------------------------------------------------------------------------------------------------------------------------------------------------------------------------------------------------|
| CARD STATUS | Green/Red | Card status indication <ul style="list-style-type: none">• OFF: Power Off• Green ON: Normal (all ports are idle)• Green Flashing (60 times per minute): Normal (a port is in use)• Red ON: Fault (includes reset)• Red Flashing (60 times per minute): Out of Service |

2.5.5 IP-EXT16 Card (KX-TDA0470)

Function

16-channel VoIP extension card. Compliant with Panasonic proprietary protocol, and ITU-T G.729a and G.711 codec methods.



Accessories and User-supplied Items

Accessories (included): Ferrite core × 1

User-supplied (not included): RJ45 connector

Note

- The maximum length of the cable to be connected to this optional service card is 100 m.
- When connecting the RJ45 connector, attach the included ferrite core. Refer to "2.2.8 Attaching a Ferrite Core".
- Portions of this product contains software of Datalight, Inc. Copyright 1993–2000 Datalight, Inc., All Rights Reserved.

Pin Assignments

RJ45 Connector (10BASE-T/100BASE-TX)

| | No. | Signal Name | Input (I)/Output (O) | Function |
|--|-----|-------------|----------------------|----------------|
| | 1 | TPO+ | O | Transmit data+ |
| | 2 | TPO- | O | Transmit data- |
| | 3 | TPI+ | I | Receive data+ |
| | 4-5 | Reserved | – | – |
| | 6 | TPI- | I | Receive data- |
| | 7-8 | Reserved | – | – |

LED Indications

| Indication | Colour | Description |
|-------------|-----------|-------------------------------------------------------------------------------------------------------------------------------------------------------------------------------------------------------------------------------------------------------------------------------------------------------------------------------|
| CARD STATUS | Green/Red | Card status indication <ul style="list-style-type: none"> • OFF: Power Off • Green ON: Normal (all ports are idle) • Green Flashing (60 times per minute): Normal (a port is in use) • Red ON: Fault (includes reset) • Red Flashing (60 times per minute): Out of Service |
| ONLINE | Green | On-line status indication <ul style="list-style-type: none"> • ON: At least one port is in use (an IP-PT is connected) • OFF: No ports are in use (no IP-PTs are connected) <p>Note If the LINK indicator is OFF, the ONLINE indicator will also be OFF.</p> |
| ALARM | Red | Alarm indication <ul style="list-style-type: none"> • OFF: Normal • ON: Alarm |
| VoIP BUSY | Green | Panasonic proprietary VoIP protocol process indication <ul style="list-style-type: none"> • OFF: VoIP process inactive • ON: VoIP process active |
| LINK | Green | Link status indication <ul style="list-style-type: none"> • OFF: Connection error • ON: Normal connection |
| DATA | Green | Data transmission indication <ul style="list-style-type: none"> • OFF: No data transmitted • ON: Data transmitting |

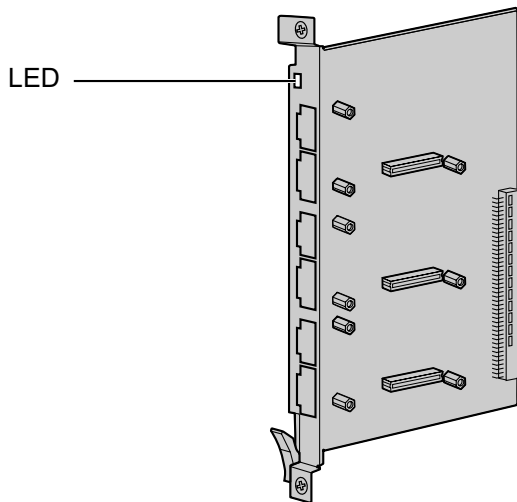
2.6 Information about the Other Cards

2.6.1 OPB3 Card (KX-TDA0190)

Function

Optional 3-slot base card for mounting a maximum of 3 option cards from the following:

- DPH4 card
- DPH2 card
- EIO4 card
- ECHO16 card
- MSG4 card
- ESVM2 card
- ESVM4 card



Accessories and User-supplied Items

Accessories (included): none

User-supplied (not included): none

WARNING

A lithium battery is used in OPB3 card. There is a risk of explosion if the battery is replaced with the incorrect type. Dispose of used batteries according to the manufacturer's instructions.

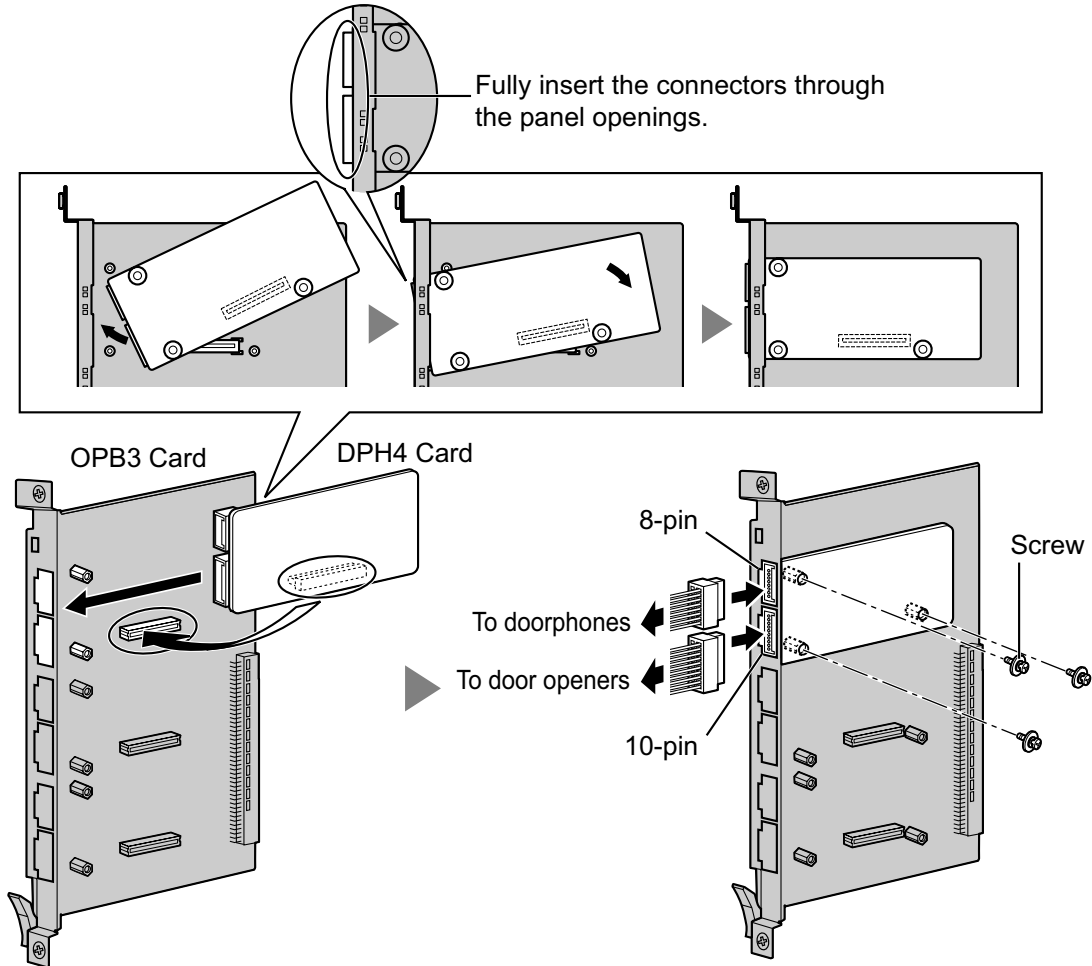
LED Indications

| Indication | Colour | Description |
|-------------|-----------|-------------------------------------------------------------------------------------------------------------------------------------------------------------------------------------------------------------------------------------------------------------------------------------------------------------------------------|
| CARD STATUS | Green/Red | Card status indication <ul style="list-style-type: none"> • OFF: Power Off • Green ON: Normal (all ports are idle) • Green Flashing (60 times per minute): Normal (a port is in use) • Red ON: Fault (includes reset) • Red Flashing (60 times per minute): Out of Service |

2.6.2 DPH4 Card (KX-TDA0161)

Function

4-port doorphone card for 4 doorphones and 4 door openers. To be mounted on the OPB3 card.



Accessories and User-supplied Items

Accessories (included): Screws × 3, 10-pin terminal block × 1, 8-pin terminal block × 1


User-supplied (not included): Copper wire

Note


For details about connection to doorphones and door openers, refer to "2.8.1 Connection of Doorphones, Door Openers, External Sensors, and External Relays".

Pin Assignments

8-pin Terminal Block

| | No. | Signal Name | Function |
|-----------------------------------------------------------------------------------|-----|-------------|----------------------|
|  | 1 | DP4 | Doorphone 4 transmit |
| | 2 | com4 | Doorphone 4 receive |
| | 3 | DP3 | Doorphone 3 transmit |
| | 4 | com3 | Doorphone 3 receive |
| | 5 | DP2 | Doorphone 2 transmit |
| | 6 | com2 | Doorphone 2 receive |
| | 7 | DP1 | Doorphone 1 transmit |
| | 8 | com1 | Doorphone 1 receive |

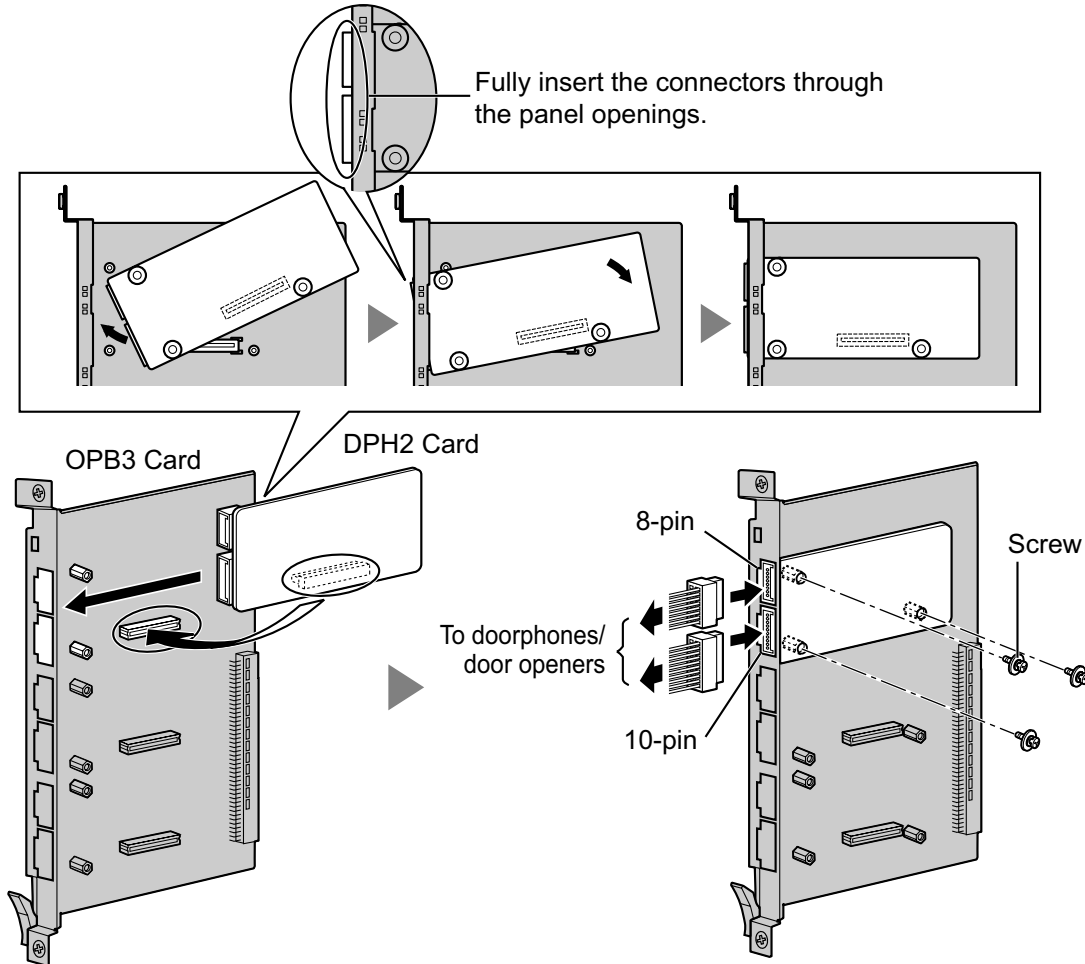
10-pin Terminal Block

| | No. | Signal Name | Function |
|------------------------------------------------------------------------------------|-----|-------------|-------------------|
|  | 1-2 | Reserved | – |
| | 3 | OP4b | Door opener 4 |
| | 4 | OP4a | Door opener 4 com |
| | 5 | OP3b | Door opener 3 |
| | 6 | OP3a | Door opener 3 com |
| | 7 | OP2b | Door opener 2 |
| | 8 | OP2a | Door opener 2 com |
| | 9 | OP1b | Door opener 1 |
| | 10 | OP1a | Door opener 1 com |

2.6.3 DPH2 Card (KX-TDA0162)

Function

2-port doorphone card for 2 German-type doorphones and 2 door openers. To be mounted on the OPB3 card.



Accessories and User-supplied Items

Accessories (included): Screws × 3, 10-pin terminal block × 1, 8-pin terminal block × 1

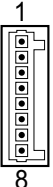
User-supplied (not included): Copper wire

Note


For details about connection to doorphones and door openers, refer to "2.8.1 Connection of Doorphones, Door Openers, External Sensors, and External Relays".

Pin Assignments

8-pin Terminal Block

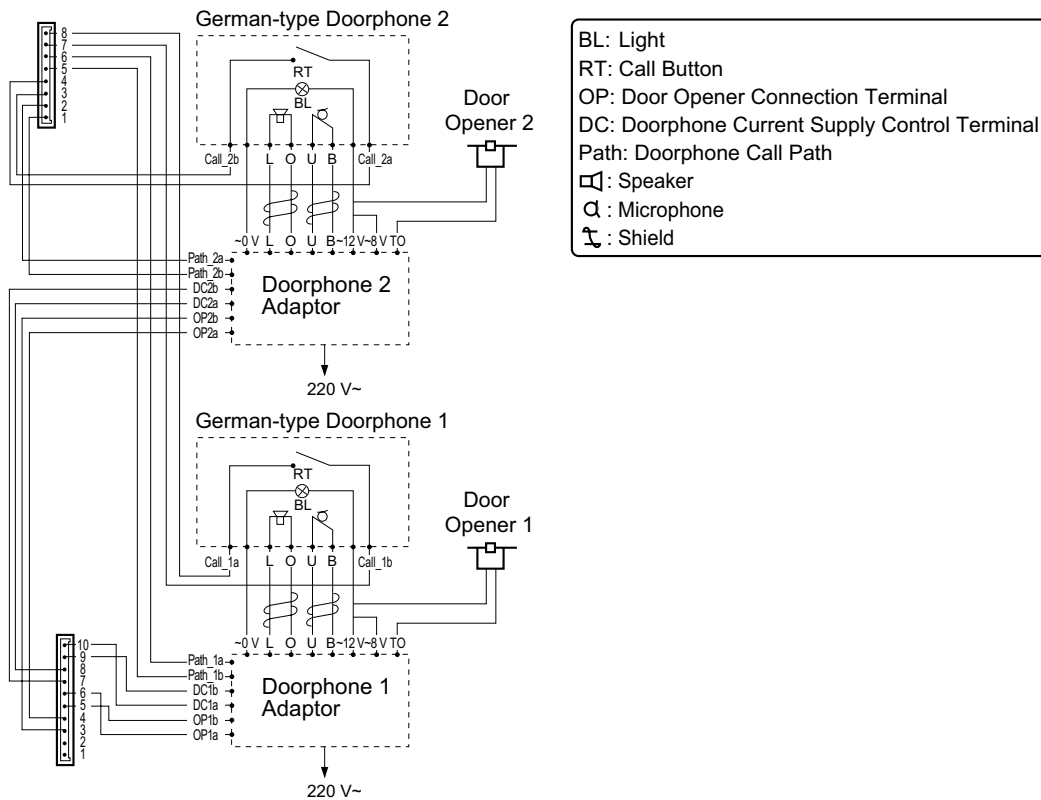
| | No. | Proprietary Signal Name | Standard Signal Name | Function |
|-----------------------------------------------------------------------------------|-----|-------------------------|----------------------|-----------------------------|
|  | 1 | Path_2b | b (2) | Doorphone 2 transmit |
| | 2 | Path_2a | a (2) | Doorphone 2 receive |
| | 3 | Call_2b | RT b (2) | Doorphone 2 call button |
| | 4 | Call_2a | RT a (2) | Doorphone 2 call button com |
| | 5 | Path_1b | b (1) | Doorphone 1 transmit |
| | 6 | Path_1a | a (1) | Doorphone 1 receive |
| | 7 | Call_1b | RT b (1) | Doorphone 1 call button |
| | 8 | Call_1a | RT a (1) | Doorphone 1 call button com |

10-pin Terminal Block

| | No. | Proprietary Signal Name | Standard Signal Name | Function |
|-------------------------------------------------------------------------------------|-----|-------------------------|----------------------|-------------------------|
|  | 1-2 | Reserved | Reserved | – |
| | 3 | OP2b | TO b (2) | Door opener 2 |
| | 4 | OP2a | TO a (2) | Door opener 2 com |
| | 5 | OP1b | TO b (1) | Door opener 1 |
| | 6 | OP1a | TO a (1) | Door opener 1 com |
| | 7 | DC2b | TS b (2) | Doorphone control 2 |
| | 8 | DC2a | TS a (2) | Doorphone control 2 com |
| | 9 | DC1b | TS b (1) | Doorphone control 1 |
| | 10 | DC1a | TS a (1) | Doorphone control 1 com |

2.6.3 DPH2 Card (KX-TDA0162)

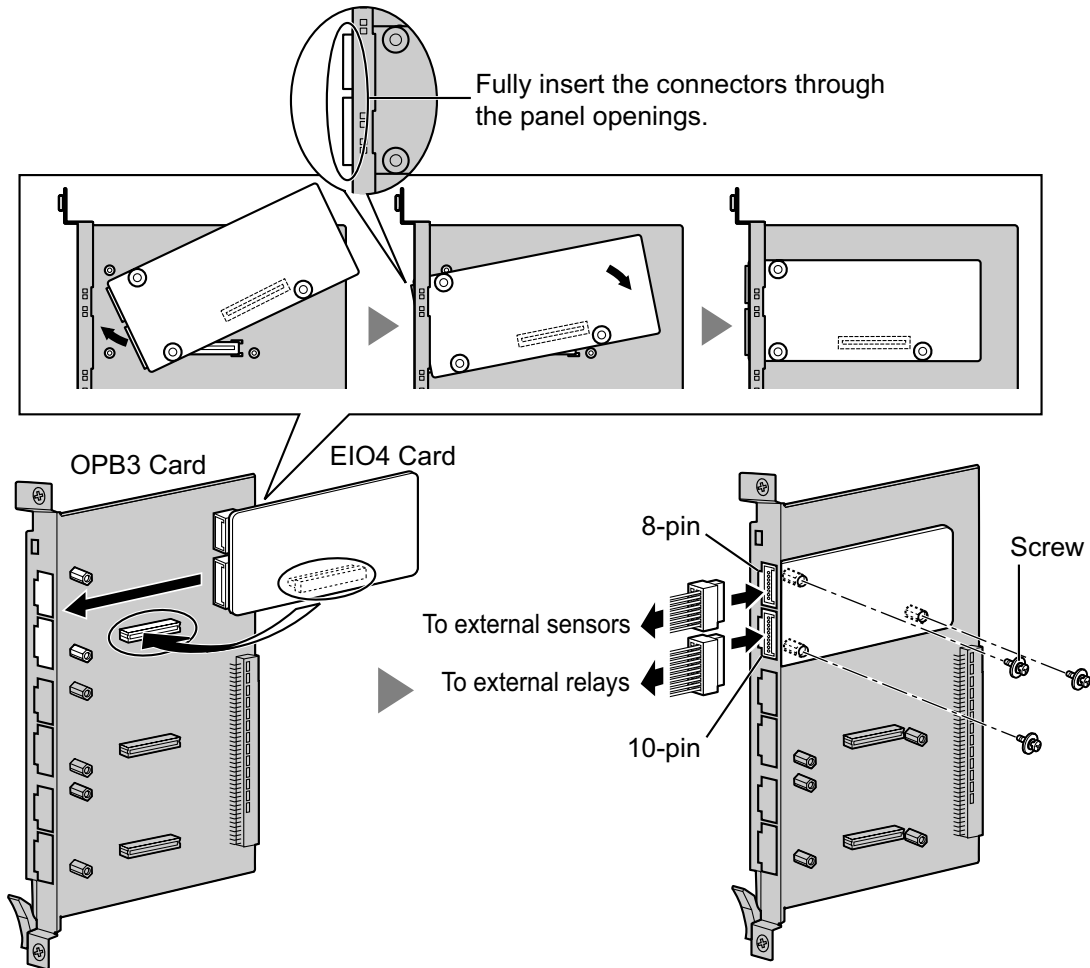
Connection Diagram for German-type Doorphones and Door Openers



2.6.4 EIO4 Card (KX-TDA0164)

Function

4-port external input/output card. To be mounted on the OPB3 card.



Accessories and User-supplied Items

Accessories (included): Screws × 3, 10-pin terminal block × 1, 8-pin terminal block × 1

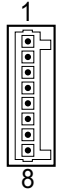
User-supplied (not included): Copper wire

Note

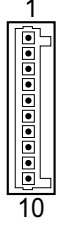
For details about connection to external sensors and external relays, refer to "2.8.1 Connection of Doorphones, Door Openers, External Sensors, and External Relays".

Pin Assignments

8-pin Terminal Block

| | No. | Signal Name | Function |
|-----------------------------------------------------------------------------------|-----|-------------|---------------|
|  | 1 | C4b | Control 4 |
| | 2 | C4a | Control 4 com |
| | 3 | C3b | Control 3 |
| | 4 | C3a | Control 3 com |
| | 5 | C2b | Control 2 |
| | 6 | C2a | Control 2 com |
| | 7 | C1b | Control 1 |
| | 8 | C1a | Control 1 com |

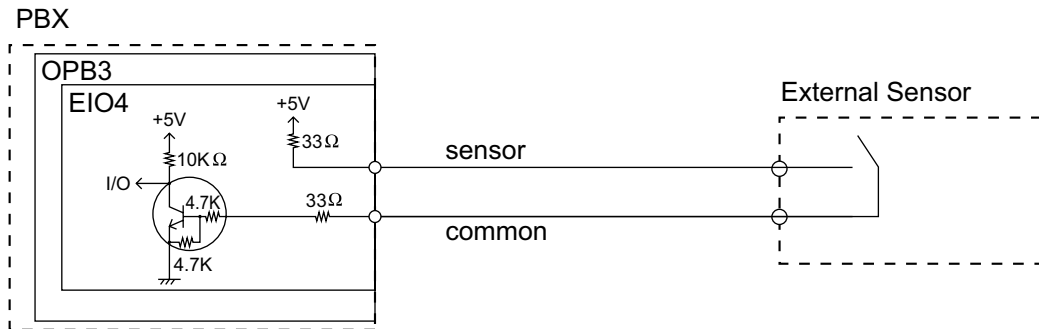
10-pin Terminal Block

| | No. | Signal Name | Function |
|------------------------------------------------------------------------------------|-----|-------------|--------------|
|  | 1-2 | Reserved | – |
| | 3 | OP4b | Opener 4 |
| | 4 | OP4a | Opener 4 com |
| | 5 | OP3b | Opener 3 |
| | 6 | OP3a | Opener 3 com |
| | 7 | OP2b | Opener 2 |
| | 8 | OP2a | Opener 2 com |
| | 9 | OP1b | Opener 1 |
| | 10 | OP1a | Opener 1 com |

External Sensor

Power to the external sensor is provided from the EIO4 card and must be grounded through the EIO4 card as indicated in the diagram below. A pair of "sensor" and "common" lines are connected to the EIO4 card for each external sensor. The PBX detects input from the sensor when the signal is under 100 Ω .

Connection Diagram



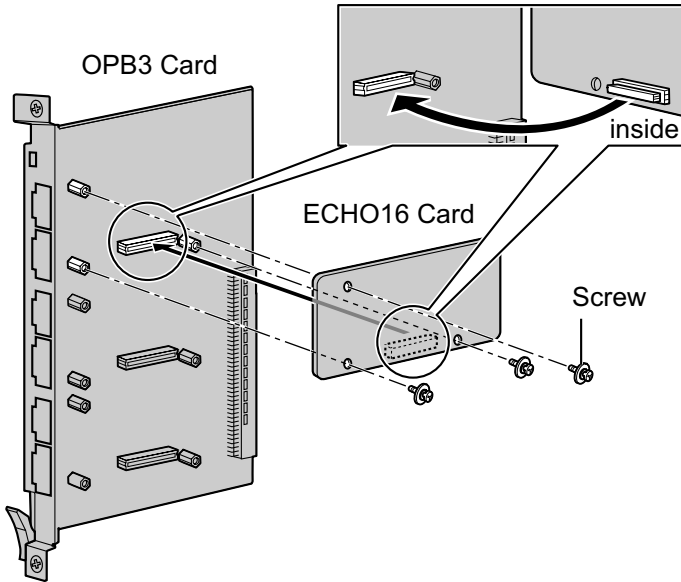
External Relay

Current Limit: 24 V DC/30 V AC, 1 A maximum

2.6.5 ECHO16 Card (KX-TDA0166)

Function

16-channel card for echo cancellation during conferences. To be mounted on the OPB3 card.



Accessories and User-supplied Items

Accessories (included): Screws × 3

User-supplied (not included): none

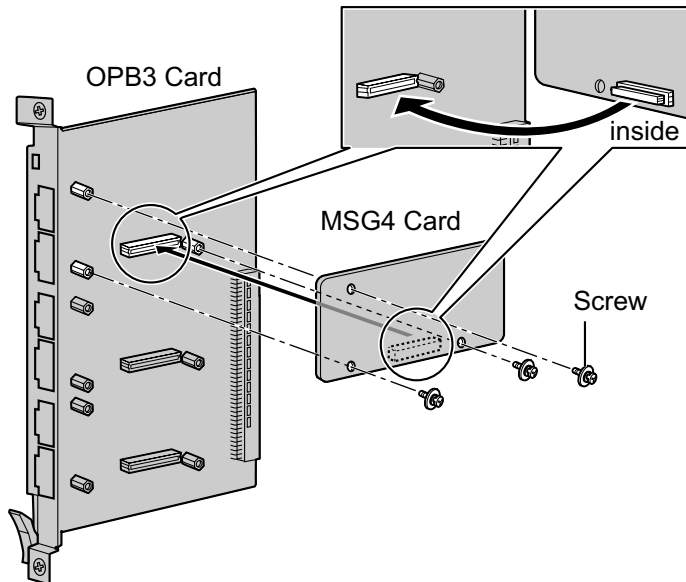
Note

To establish a conference call involving 6 to 8 parties, install an ECHO16 card and enable echo cancellation for conferences using the Maintenance Console. For details, refer to "Echo Cancel—Conference" in "4.17 [2-9] System Options" of the PC Programming Manual.

2.6.6 MSG4 Card (KX-TDA0191)

Function

4-channel message card. To be mounted on the OPB3 card.



Accessories and User-supplied Items

Accessories (included): Screws × 3

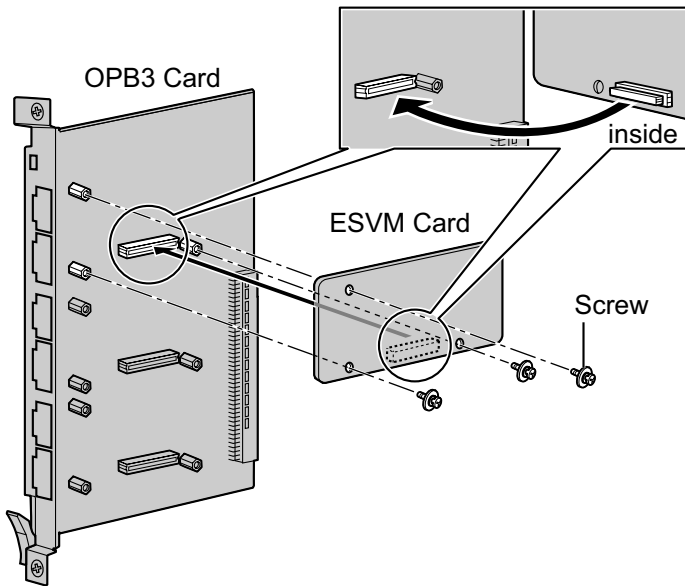
User-supplied (not included): none

2.6.7 ESVM2 Card (KX-TDA0192) and ESVM4 Card (KX-TDA0194)

Function

ESVM2: 2-channel simplified voice message card for Built-in Simplified Voice Message feature. Also supports MSG card features. To be mounted on the OPB3 card.

ESVM4: 4-channel simplified voice message card for Built-in Simplified Voice Message feature. Also supports MSG card features. To be mounted on the OPB3 card.



Accessories and User-supplied Items

Accessories (included): Screws × 3

User-supplied (not included): none

CAUTION

When installing/uninstalling an ESVM card, be careful not to damage the chips around the connection parts. Doing so may cause severe damage to the ESVM card.

Notice

- When replacing an ESVM card, ensure that the status of the OPB3 card is In Service (INS), and then initialise the ESVM card. For details about the initialisation procedure, refer to "2.5.5 Tool—Simplified Voice Message—Delete All Recording" in the PC Programming Manual.
- When installing an ESVM card for the first time on an OPB3 card that is already installed in the PBX, do not remove the OPB3 card from the PBX until the card status becomes INS.
- After installing the OPB3 card, with an ESVM card mounted, for the first time, do not remove the OPB3 card from the PBX until the card status becomes INS.

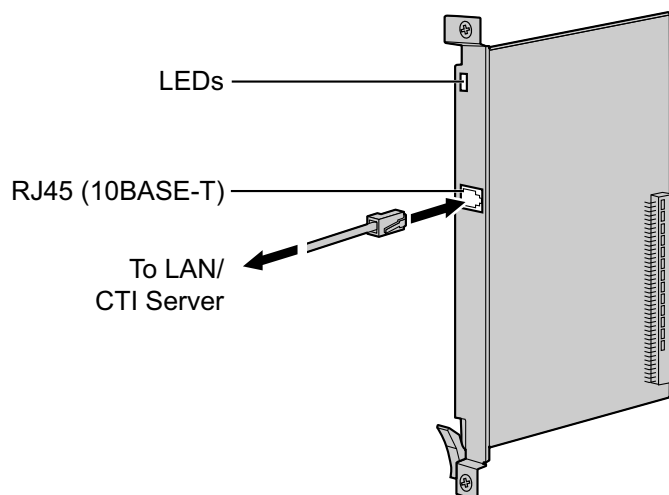
Note

When using an ESVM card for the SVM feature, it must be mounted on sub-slot 3 (highest slot) of the OPB3 card.

2.6.8 CTI-LINK Card (KX-TDA0410)

Function

Ethernet card for CTI communication via 10BASE-T port. CSTA Phase 3 protocol compatible.



Accessories and User-supplied Items

Accessories (included): none

User-supplied (not included): RJ45 connector

Note

- The maximum length of the cable to be connected to this optional service card is 100 m.
- This optional service card can be connected to PCs on a LAN via a CTI server to provide third party call control CTI.
The operating system of the PC or CTI server required for third party call control depends on your CTI application software. For details, refer to the manual for your CTI application software.
- Portions of this product contains software of Datalight, Inc. Copyright 1993–2000 Datalight, Inc., All Rights Reserved.

Pin Assignments

RJ45 Connector (10BASE-T)

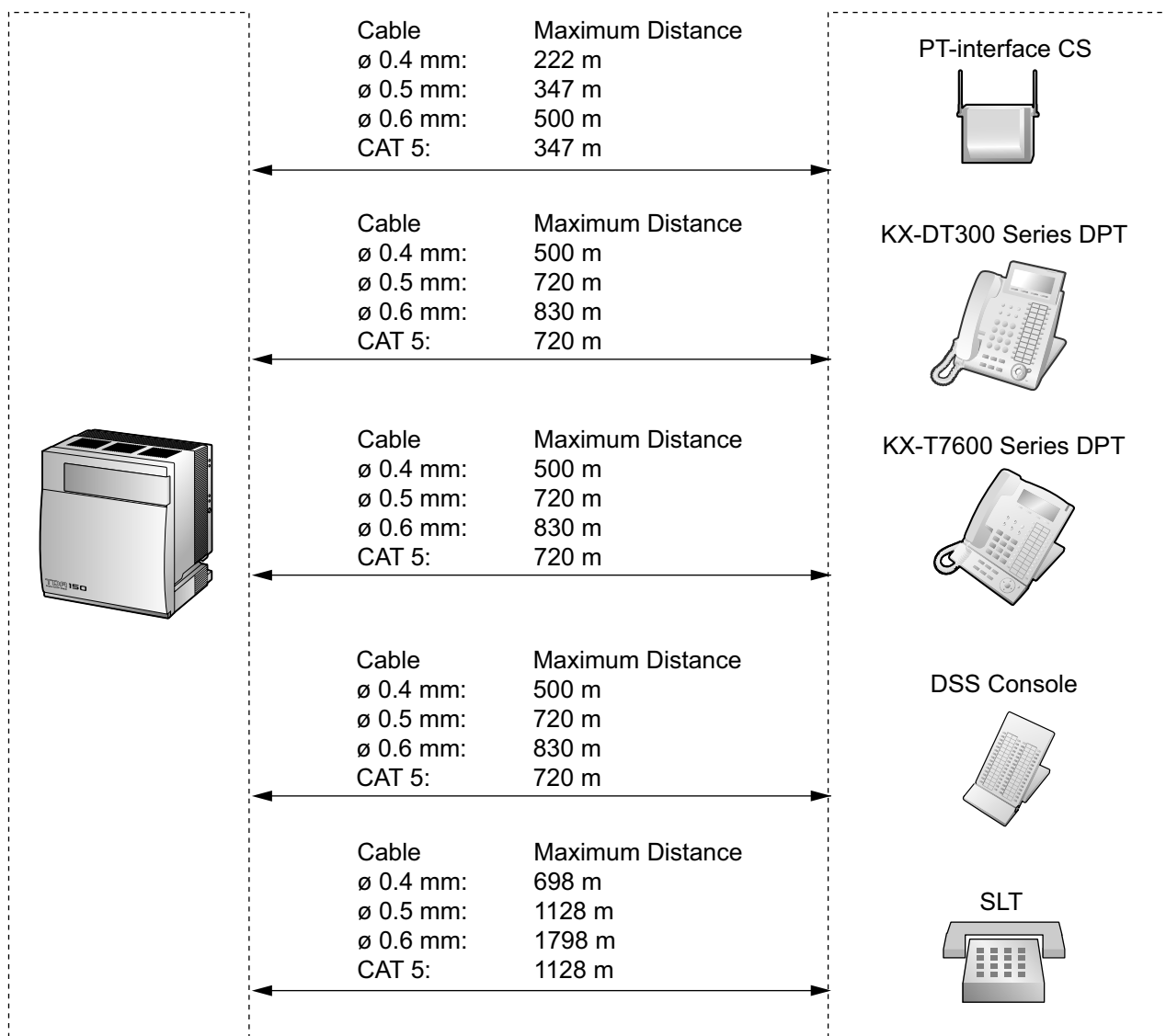
| | No. | Signal Name | Input (I)/Output (O) | Function |
|--|-----|-------------|----------------------|----------------|
| | 1 | TPO+ | O | Transmit data+ |
| | 2 | TPO- | O | Transmit data- |
| | 3 | TPI+ | I | Receive data+ |
| | 4-5 | Reserved | – | – |
| | 6 | TPI- | I | Receive data- |
| | 7-8 | Reserved | – | – |

LED Indications

| Indication | Colour | Description |
|-------------|-----------|--------------------------------------------------------------------------------------------------------------------------------------------------------------------------------------------------------------------------|
| CARD STATUS | Green/Red | Card status indication <ul style="list-style-type: none">• OFF: Power Off• Green ON: Normal• Red ON: Fault (includes reset)• Red Flashing (60 times per minute): Out of Service |
| LINK STATUS | Green | Link status indication <ul style="list-style-type: none">• Flashing: In communication• ON: Linked normally |

2.7 Connection of Extensions

2.7.1 Maximum Cabling Distances of the Extension Wiring (Twisted Cable)



Notice

The maximum cabling distance may vary depending on the conditions.

| | PT-interface CS | DPT | DSS Console | SLT |
|----------------------------|-----------------|-----|-------------|-----|
| MCSLC24, MCSLC16 Cards | | | | ✓ |
| DLC16, DLC8 Cards | ✓ | ✓ | ✓ | |
| DLC4 Port on the DMPR Card | ✓ | ✓ | ✓ | |

2.7.1 Maximum Cabling Distances of the Extension Wiring (Twisted Cable)

"✓" indicates that the extension card or port supports the terminal.

2.7.2 Digital EXtra Device Port (Digital XDP) Connection

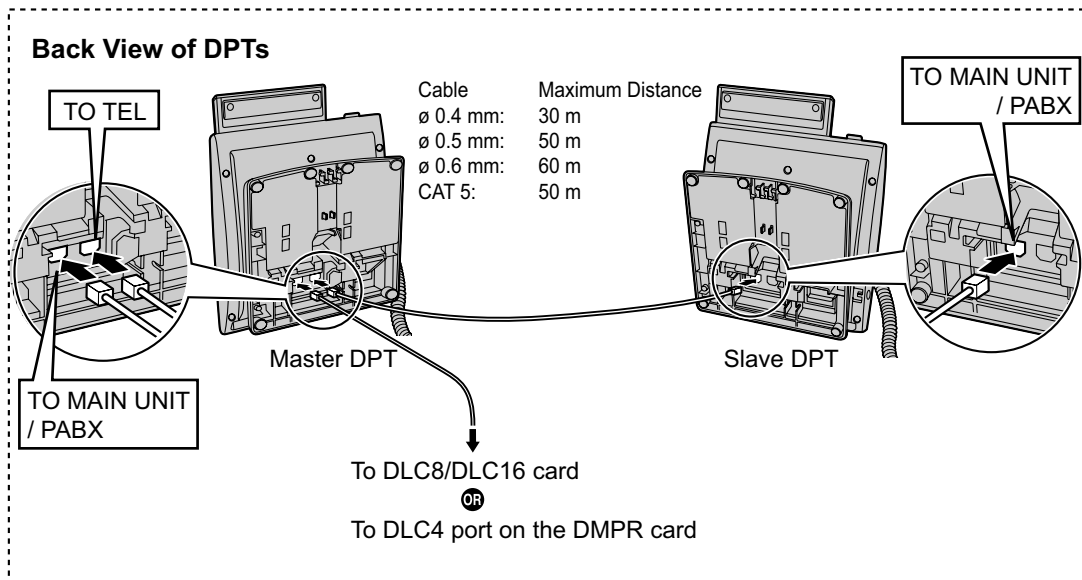
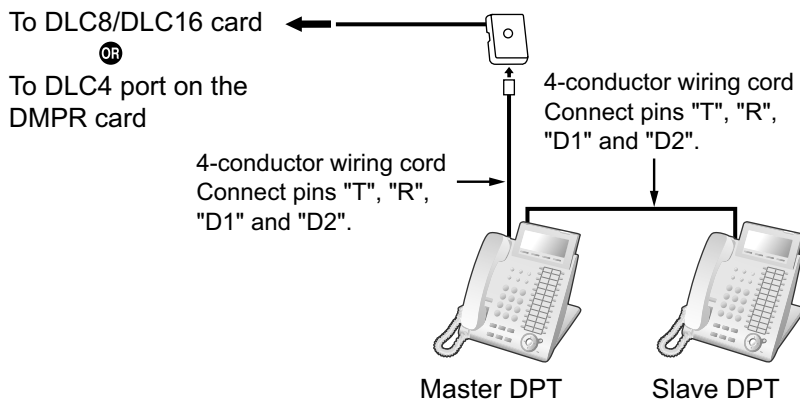
A DPT can be connected to another DPT on the Digital XDP connection.

Note

- Both DPTs must be KX-DT300/KX-T7600 series DPTs (except KX-T7640). Note that the KX-T7667 can only be connected as a slave DPT.
- Bluetooth® Modules or USB Modules must not be connected to DPTs in the Digital XDP connection.

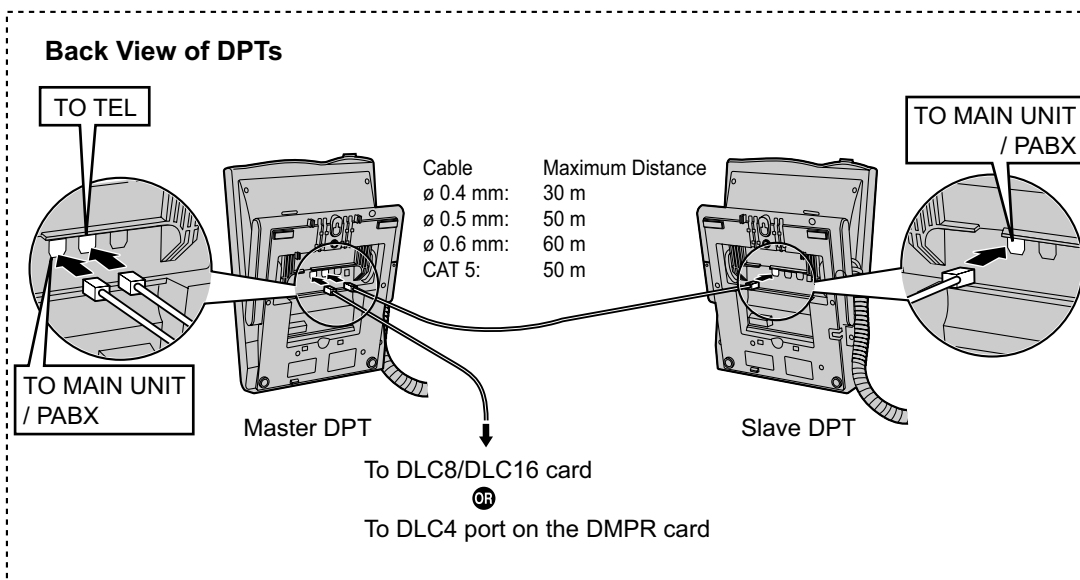
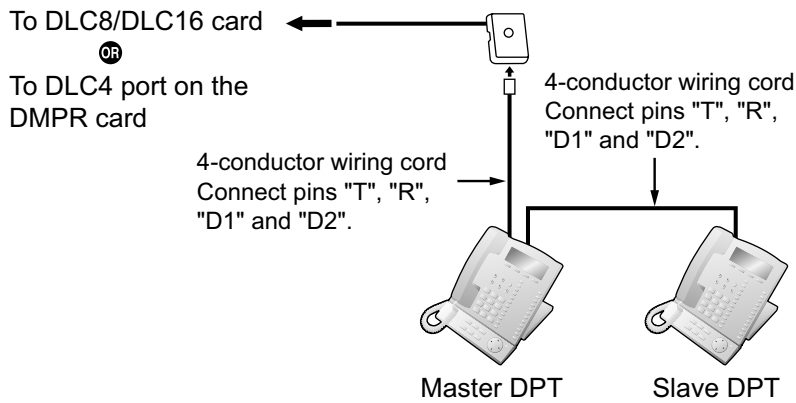
With KX-DT300 Series DPT

Using an EXtra Device Port



With KX-T7600 Series DPT

Using an EXtra Device Port



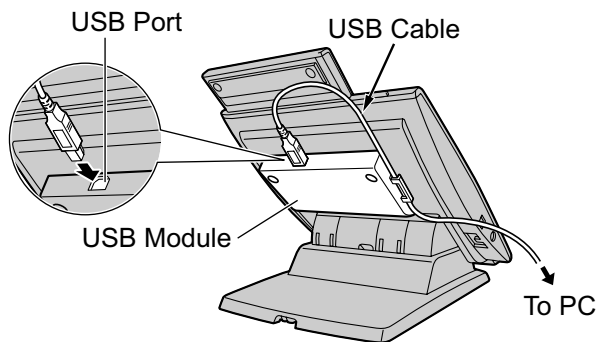
2.7.3 First Party Call Control CTI Connection

CTI connection between a PC and a KX-DT343/KX-DT346/KX-T7633/KX-T7636 DPT provides first party call control. The CTI connection is made via a USB interface (version 2.0), and uses the TAPI 2.1 protocol. A USB Module must be connected to the DPTs.

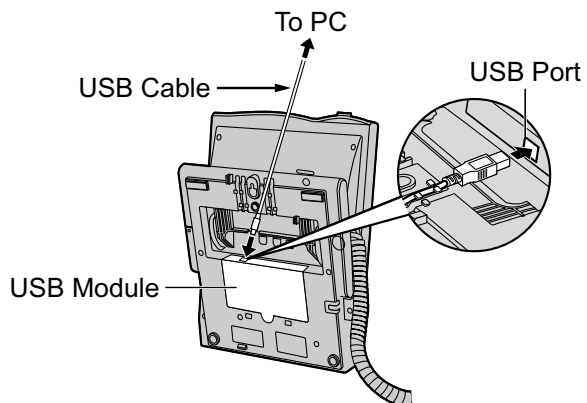
Note

The operating system of the PC required for first party call control depends on your CTI application software. For details, refer to the manual for your CTI application software.

KX-DT343/KX-DT346



KX-T7633/KX-T7636



Note

The maximum length of the USB cable is 3 m.

2.8 Connection of Doorphones, Door Openers, External Sensors, and External Relays

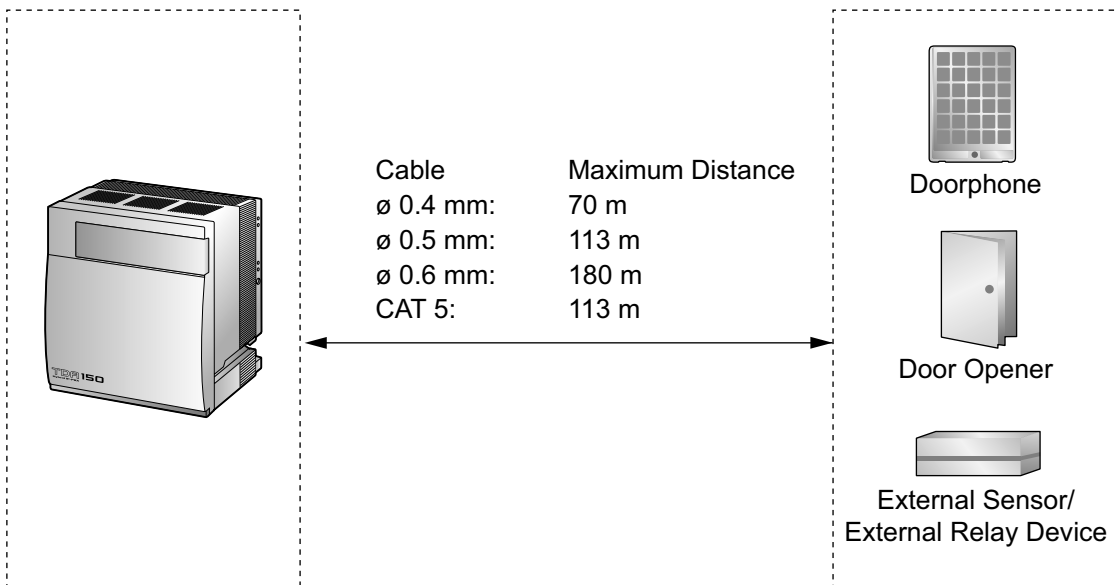
2.8.1 Connection of Doorphones, Door Openers, External Sensors, and External Relays

The PBX supports a maximum of 16 doorphones (KX-T30865/KX-T7765 with a DPH4 card, or German-type doorphone with a DPH2 card), 16 door openers, 16 external sensors, and 16 external relays.

Note

Doorphones, door openers, external sensors, and external relays are user-supplied.

Maximum Cabling Distance

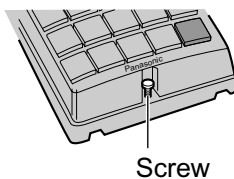


Installing the Doorphone (KX-T30865/KX-T7765)

Note

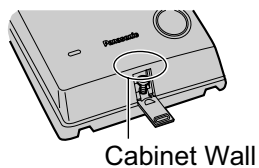
The illustrations shown in the installation procedure are based on the KX-T30865.

1. Loosen the screw to separate the doorphone into 2 halves.

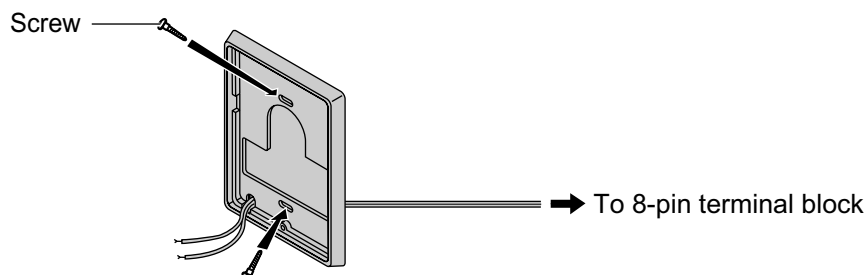


Note for KX-T7765 Users

When loosening/tightening the screw, do not scratch the cabinet wall with the driver shaft.



2. Pass the wires through the hole in the base cover, and attach the base cover to a wall using 2 screws.



Note

Two kinds of screws are included with the doorphone. Please choose the appropriate kind for your wall type.

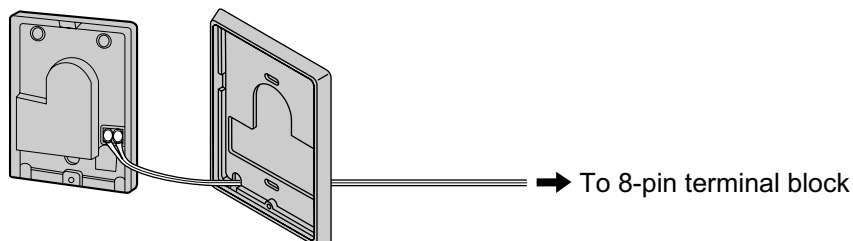


: when a doorphone plate has been fixed to the wall



: when you wish to install the doorphone directly onto the wall

3. Connect the wires to the screws located in the back cover.

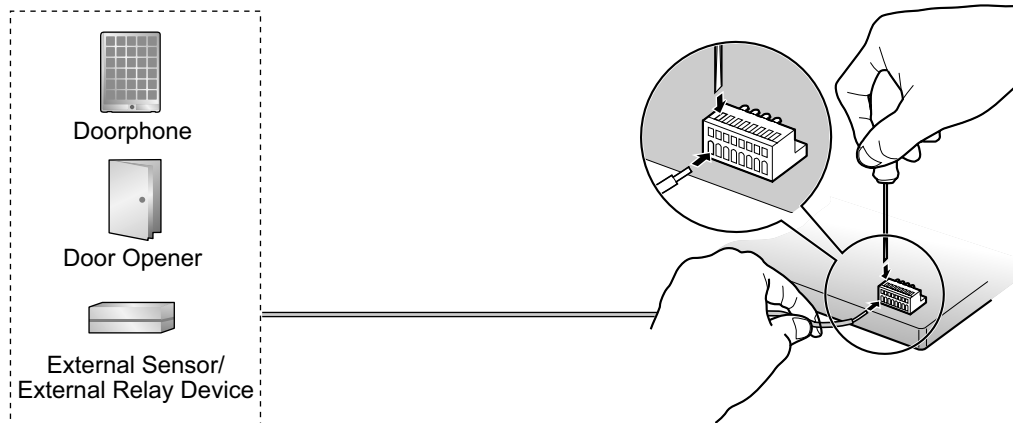


4. Re-attach the 2 halves and re-insert the screw.

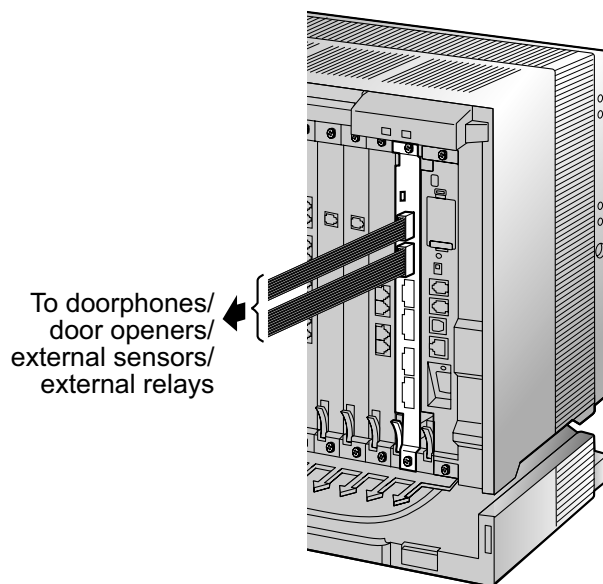
Connection

Use 8-pin and 10-pin terminal blocks (included with the card) for connection.

1. While pressing down on the hole at the top of the terminal block using a screwdriver, insert the wire into the side hole as shown below. Repeat this procedure for other doorphones, door openers, external sensors, and external relays.
Refer to "2.6.2 DPH4 Card (KX-TDA0161)", "2.6.3 DPH2 Card (KX-TDA0162)", and "2.6.4 EIO4 Card (KX-TDA0164)" for pin assignments.

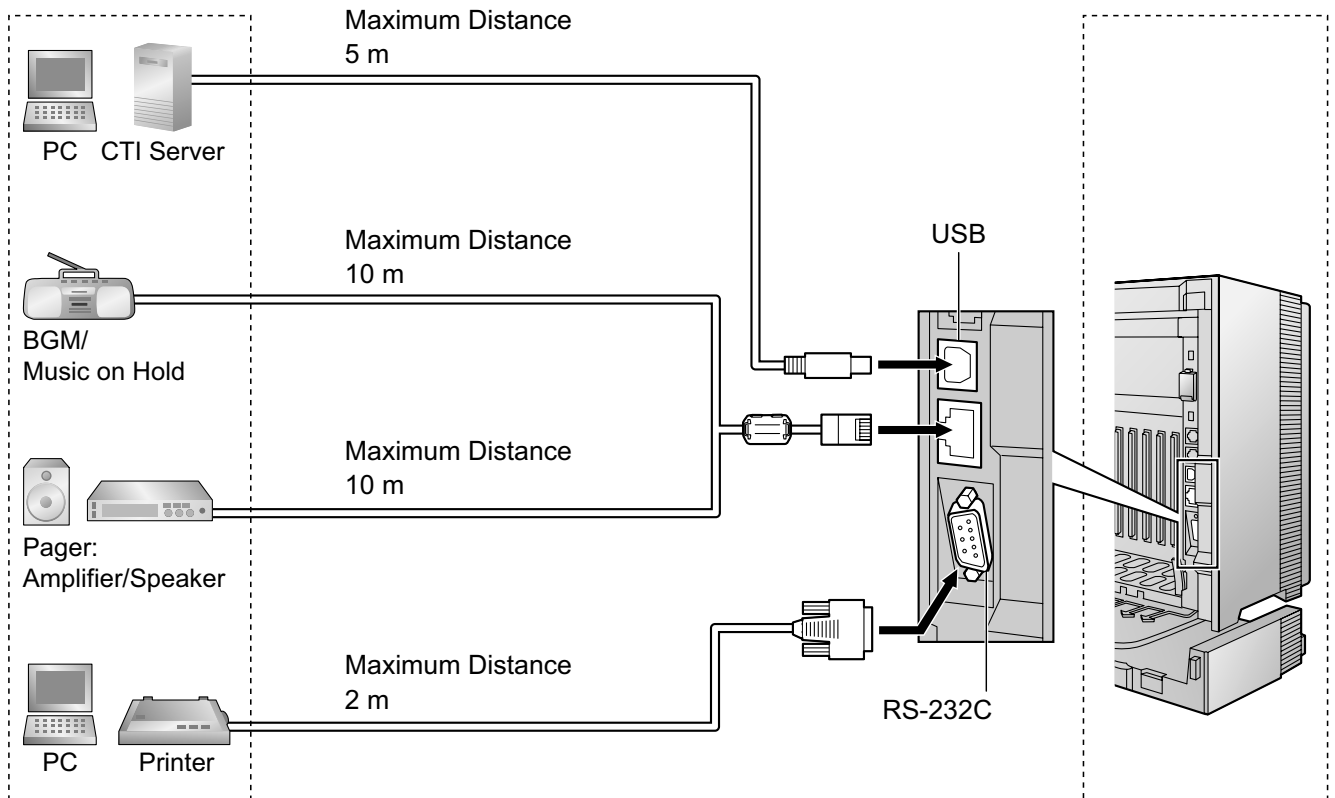


2. Attach the terminal blocks to the connectors of the DPH4/DPH2/EIO4 card on the PBX.



2.9 Connection of Peripherals

2.9.1 Connection of Peripherals



BGM/MOH

The PBX provides Background Music and Music on Hold. Up to 2 external music sources (e.g., user-supplied radios) can be connected to the PBX.

CAUTION

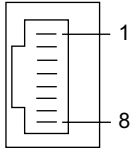
- Wiring should be done carefully to prevent undue force being exerted on the plug. Otherwise, sound may only be heard intermittently.
- External Music Jacks are SELV ports and should only be connected to approved SELV devices, or in Australia, via the Line Isolation Unit with the Telecommunications Compliance Label.

Note

When the PBX and external music sources are not connected to the same earth, hum noise may be induced into Background Music and Music on Hold.

2.9.1 Connection of Peripherals

Pin Assignments

| | No. | Signal Name | Level [V] | Function |
|-----------------------------------------------------------------------------------|-----|-------------|-----------|------------------------------|
|  | 1 | MOH1 | Nonpolar | Music on Hold Jack: Port 1 |
| | 2 | MOH1 | Nonpolar | Music on Hold Jack: Port 1 |
| | 3 | PAG2 | Nonpolar | External Paging Jack: Port 2 |
| | 4 | PAG1 | Nonpolar | External Paging Jack: Port 1 |
| | 5 | PAG1 | Nonpolar | External Paging Jack: Port 1 |
| | 6 | PAG2 | Nonpolar | External Paging Jack: Port 2 |
| | 7 | MOH2 | Nonpolar | Music on Hold Jack: Port 2 |
| | 8 | MOH2 | Nonpolar | Music on Hold Jack: Port 2 |

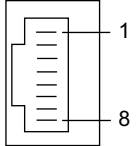
Pager

Up to 2 paging devices (user-supplied) can be connected to the PBX.

CAUTION

External Paging Jacks are SELV ports and should only be connected to approved SELV devices, or in Australia, via the Line Isolation Unit with the Telecommunications Compliance Label.

Pin Assignments

| | No. | Signal Name | Level [V] | Function |
|-------------------------------------------------------------------------------------|-----|-------------|-----------|------------------------------|
|  | 1 | MOH1 | Nonpolar | Music on Hold Jack: Port 1 |
| | 2 | MOH1 | Nonpolar | Music on Hold Jack: Port 1 |
| | 3 | PAG2 | Nonpolar | External Paging Jack: Port 2 |
| | 4 | PAG1 | Nonpolar | External Paging Jack: Port 1 |
| | 5 | PAG1 | Nonpolar | External Paging Jack: Port 1 |
| | 6 | PAG2 | Nonpolar | External Paging Jack: Port 2 |
| | 7 | MOH2 | Nonpolar | Music on Hold Jack: Port 2 |
| | 8 | MOH2 | Nonpolar | Music on Hold Jack: Port 2 |

PC/Printer (via RS-232C)

The PBX is equipped with an RS-232C interface. This interface provides communication between the PBX and the user-supplied devices such as PC or line printers. The RS-232C port is used for system programming, SMDR, diagnostics and external system database storage (save/load) functions.

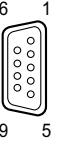
CAUTION

To protect the system, keep the following in mind:

1. Make sure that both connector cases (frame ground) of the RS-232C cross cable (shielded cable) are conductive. If they are not conductive, make sure that both connector cases of the cable are firmly connected.

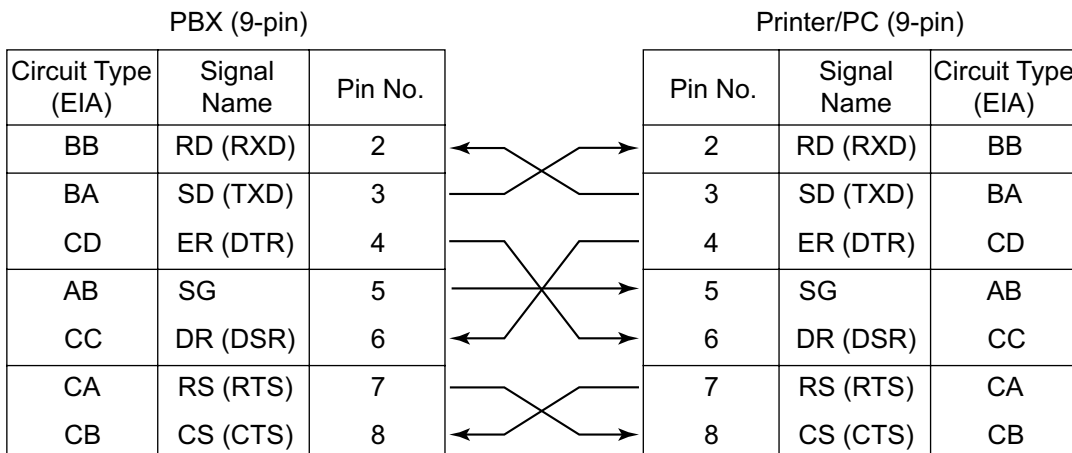
- If this is not possible, connect the frame of the PBX to the frame of the PC/Printer using an earthing wire in order to prevent difference in the electrical potentials.

Pin Assignments

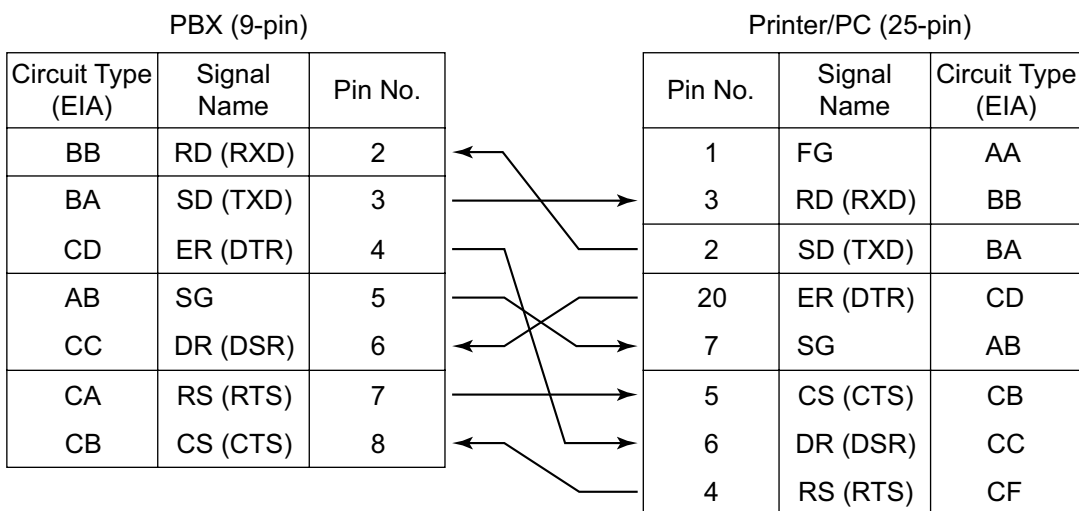
| | No. | Signal Name | Function | Circuit Type | |
|-----------------------------------------------------------------------------------|-----|-------------|---------------------|--------------|-------|
| | | | | EIA | CCITT |
|  | 2 | RD (RXD) | Receive Data | BB | 104 |
| | 3 | SD (TXD) | Transmit Data | BA | 103 |
| | 4 | ER (DTR) | Data Terminal Ready | CD | 108.2 |
| | 5 | SG | Signal Ground | AB | 102 |
| | 6 | DR (DSR) | Data Set Ready | CC | 107 |
| | 7 | RS (RTS) | Request To Send | CA | 105 |
| | 8 | CS (CTS) | Clear To Send | CB | 106 |

Connection Charts

For connecting a printer/PC with a 9-pin RS-232C connector



For connecting a printer/PC with a 25-pin RS-232C connector



RS-232C Signals

- **Receive Data (RXD):...**(input)
Conveys signals from the printer or the PC.
- **Transmit Data (TXD):...**(output)
Conveys signals from the unit to the printer or the PC. A "Mark" condition is held unless data or BREAK signals are being transmitted.
- **Data Terminal Ready (DTR):...**(output)
This signal line is turned ON by the unit to indicate that it is ON LINE. Circuit ER (DTR) ON does not indicate that communication has been established with the printer or the PC. It is switched OFF when the unit is OFF LINE.
- **Signal Ground (SG)**
Connects to the DC ground of the unit for all interface signals.
- **Data Set Ready (DSR):...**(input)
An ON condition of circuit DR (DSR) indicates the printer or the PC is ready. Circuit DR (DSR) ON does not indicate that communication has been established with the printer or the PC.
- **Request To Send (RTS):...**(output)
This lead is held ON whenever DR (DSR) is ON.
- **Clear To Send (CTS):...**(input)
An ON condition of circuit CS (CTS) indicates that the printer or the PC is ready to receive data from the unit. The unit does not attempt to transfer data or receive data when circuit CS (CTS) is OFF.
- **Frame Ground (FG)**
Connects to the unit frame and the earth ground conductor of the AC power cord.

PC/CTI Server (via USB version 2.0)

The PBX is equipped with a USB interface. This interface provides communication between the PBX and a PC or a CTI server.

The PC is used for system programming, diagnostics and external system database storage (save/load) functions.

The CTI server is used for connecting PCs on a LAN to provide third party call control CTI. The CTI connection uses the CSTA Phase 3 or TAPI 2.1 protocol.

Note


The operating system of the PC or CTI server required for third party call control depends on your CTI application software. For details, refer to the manual for your CTI application software.

CAUTION

To protect the system, keep the following in mind:

1. Make sure that both connector cases (frame ground) of the USB cable are conductive. If they are not conductive, make sure that both connector cases of the cable are firmly connected.
2. If this is not possible, connect the frame of the PBX to the frame of the PC/CTI server using an earthing wire in order to prevent difference in the electrical potentials.

Pin Assignments

| | No. | Signal Name |
|-------------------------------------------------------------------------------------|-----|-------------|
|  | 1 | VBUS |
| | 2 | USB D- |
| | 3 | USB D+ |
| | 4 | GND |

2.10 Power Failure Connections

2.10.1 Power Failure Connections

When the power supply to the PBX fails, power failure transfer (PFT) will switch from the current connection to the Power Failure Connection. Refer to "2.4.1 Power Failure Transfer" in the Feature Guide for further information.

Note

While DC power is provided by the backup batteries, the PBX will remain fully operational and the connection will not switch to the Power Failure Connection.

Using Analogue Trunk Card and Extension Card

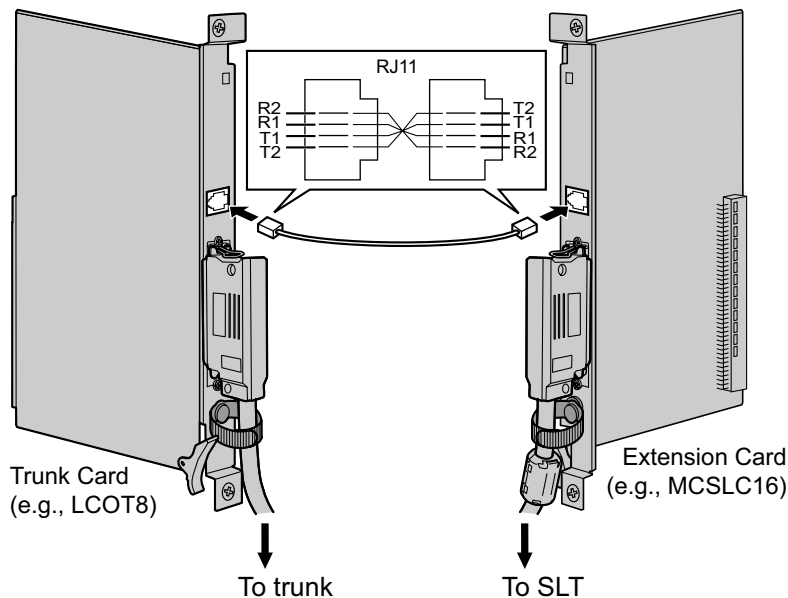
Power Failure Connection connects a specific SLT and a trunk in the event of power failure. The following analogue trunk and extension cards can be used for Power Failure Connections:

- **Analogue trunk cards:** LCOT16 (4 PFT ports), LCOT8 (2 PFT ports), LCOT4 (2 PFT ports), and CLCOT8 (2 PFT ports)
- **Extension cards:** MCSLC24 (2 PFT ports) and MCSLC16 (2 PFT ports)

To 1 analogue trunk card, connect only 1 extension card.

Note

By programming the PBX, a trunk conversation established during power failure can be maintained even when the power returns and the connection is switched back to the normal configuration from the Power Failure Connection. However, if no special programming is performed, the connection will be dropped when power returns.

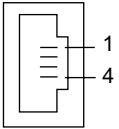


Accessories and User-supplied Items

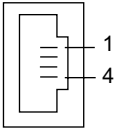
Accessories (included): none

User-supplied (not included): RJ11 connectors

RJ11 Connector Pin Assignments for Analogue Trunk Card PFT Ports 1 and 2

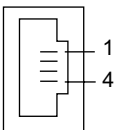
| | No. | Signal Name | Function |
|-----------------------------------------------------------------------------------|-----|-------------|-------------|
|  | 1 | R2 | Ring port 2 |
| | 2 | R1 | Ring port 1 |
| | 3 | T1 | Tip port 1 |
| | 4 | T2 | Tip port 2 |

PFT Ports 3 and 4 (for LCOT16 card only)

| | No. | Signal Name | Function |
|-----------------------------------------------------------------------------------|-----|-------------|-------------|
|  | 1 | R4 | Ring port 4 |
| | 2 | R3 | Ring port 3 |
| | 3 | T3 | Tip port 3 |
| | 4 | T4 | Tip port 4 |

RJ11 Connector Pin Assignments for Extension Card

PFT Ports 1 and 2

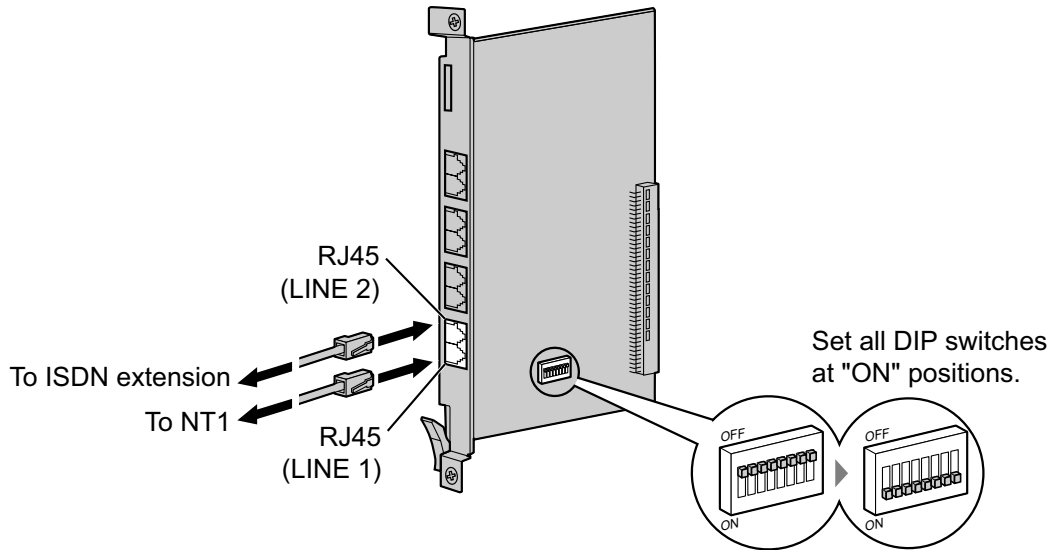
| | No. | Signal Name | Function |
|-------------------------------------------------------------------------------------|-----|-------------|-------------|
|  | 1 | T2 | Tip port 2 |
| | 2 | T1 | Tip port 1 |
| | 3 | R1 | Ring port 1 |
| | 4 | R2 | Ring port 2 |

Using BRI Card

LINE 1 and LINE 2 of the BRI4 and BRI8 cards can be used for Power Failure Connections.

Note

When the power returns, the connection will switch back to normal configuration from the Power Failure Connection, and a trunk conversation established during power failure will be dropped.



Accessories and User-supplied Items

Accessories (included): none

User-supplied (not included): RJ45 connectors

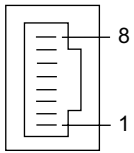
Switch Settings

| Switch | Type | Usage and Status Definition |
|-------------|------|--------------------------------------------------------------------------------------------------------------------------------------------------------------|
| PFT Setting | DIP | Set all DIP switches to "ON" positions to use LINE 1 and LINE 2 as a PFT port. LINE 1: Power Failure LINE (NT1) LINE 2: Power Failure EXTN (extension) |

RJ45 Connector LINE 1 Pin Assignments

| | No. | Signal Name | Level [V] | Function |
|--|-----|-------------|-----------|-----------------|
| | 1-2 | Reserved | – | – |
| | 3 | TX1 | (+) | Transmit data 1 |
| | 4 | RX2 | (+) | Receive data 2 |
| | 5 | RX1 | (-) | Receive data 1 |
| | 6 | TX2 | (-) | Transmit data 2 |
| | 7-8 | Reserved | – | – |

RJ45 Connector LINE 2 Pin Assignments

| | No. | Signal Name | Level [V] | Function |
|-----------------------------------------------------------------------------------|-----|-------------|-----------|-----------------|
|  | 1-2 | Reserved | – | – |
| | 3 | RX2 | (+) | Receive data 2 |
| | 4 | TX1 | (+) | Transmit data 1 |
| | 5 | TX2 | (-) | Transmit data 2 |
| | 6 | RX1 | (-) | Receive data 1 |
| | 7-8 | Reserved | – | – |

2.11 Starting the PBX

2.11.1 Starting the PBX

Before Starting the PBX

Before starting the PBX, please pay attention to the following:

Notice

The SD Memory Card must be inserted in the SD Memory Card slot of the DMPR card before startup.

Starting the PBX

CAUTION

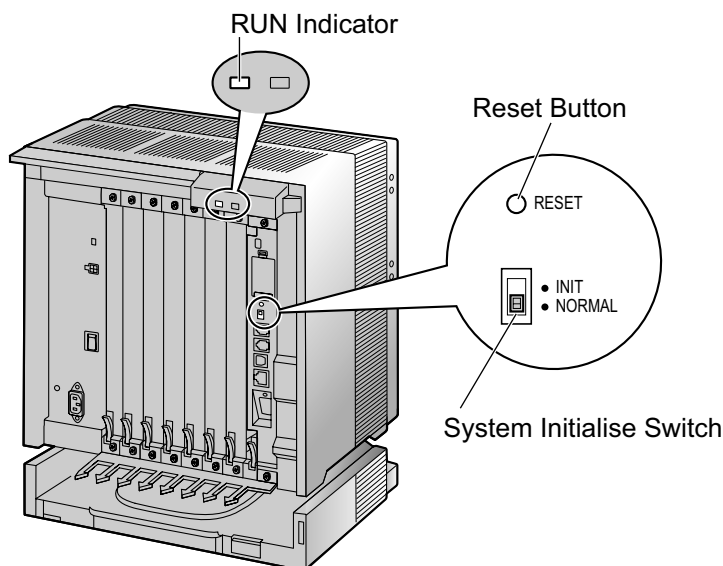
- Use only the AC power cord included with the PBX for the PSU.
- Before touching the System Initialise Switch, discharge static electricity by touching ground or wearing an earthing strap.
- Once you have started the PBX and if you unplug the PBX, do not perform the following procedures to start the PBX again. Otherwise, your programmed data is cleared. To restart the PBX, refer to "4.1.4 Using the Reset Button".
- The power supply cord is used as the main disconnect device. Ensure that the AC outlet is located near the equipment and is easily accessible.

Note

The PBX will continue to be powered even if the power switch is turned "OFF".

System Initialisation Procedure

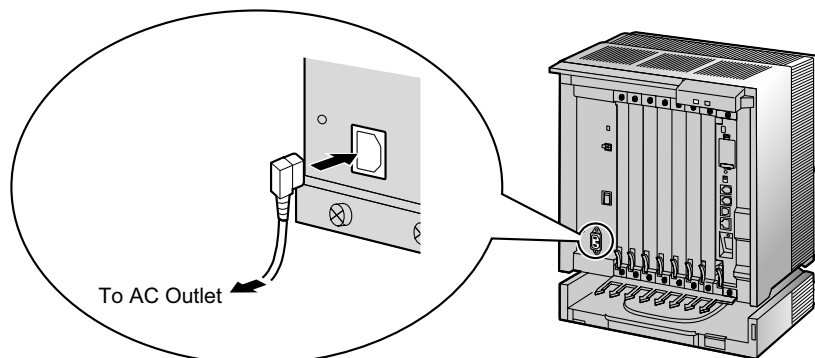
1. Slide the System Initialise Switch to the "INIT" position.



2. Plug the AC power cord into the PBX and an AC outlet, and turn on the PBX. The RUN indicator will flash.

Note

For safety reasons, do not stretch, bend, or pinch the AC power cord.



3. While the RUN indicator is flashing, slide the System Initialise Switch back to the "NORMAL" position.

Depending on the configuration, initialisation takes about 1 min to 3 min. If successfully executed, the RUN indicator will stop flashing and stay lit.

All data will be cleared, and the PBX as well as all optional service cards (except for the IP-GW card) will be initialised to the default values. The DPTs should show the time as 01:00.

The data of the IP-GW card will not be initialised.

LED Indications

| Indication | Colour | Description |
|------------|--------|----------------------------------------------------------------------------------------------------------------------------------------------------------------------------------------------------------------------------------------------------------------------------------------------------------------------------------------------------------------------------------------------------------------------------------------------------------------|
| RUN | Green | PBX status indication <ul style="list-style-type: none"> • OFF: Power Off (includes normal reset) • ON: Power On and running (on-line) • Flashing (60 times per minute): Starting up • Flashing (120 times per minute): Starting up or resetting with: <ul style="list-style-type: none"> • the System Initialise Switch in "INIT" position • the SD Memory Card not inserted |
| ALARM | Red | Alarm indication <ul style="list-style-type: none"> • OFF: Normal • ON: Alarm (CPU stop, alarm for each optional service card installed in the Basic Shelf) • Flashing: Alarm (MPR file error in restarting) |

Confirming the Trunk Connection

After initialisation, programme the PBX and connect trunks to the PBX.

To confirm that the trunks are successfully connected, dial [*] [3] [7] + trunk number (3 digits) on a PT, or press the PT's S-CO button. You will hear a dial tone if the trunk is available and connected.

2.11.1 Starting the PBX

Section 3

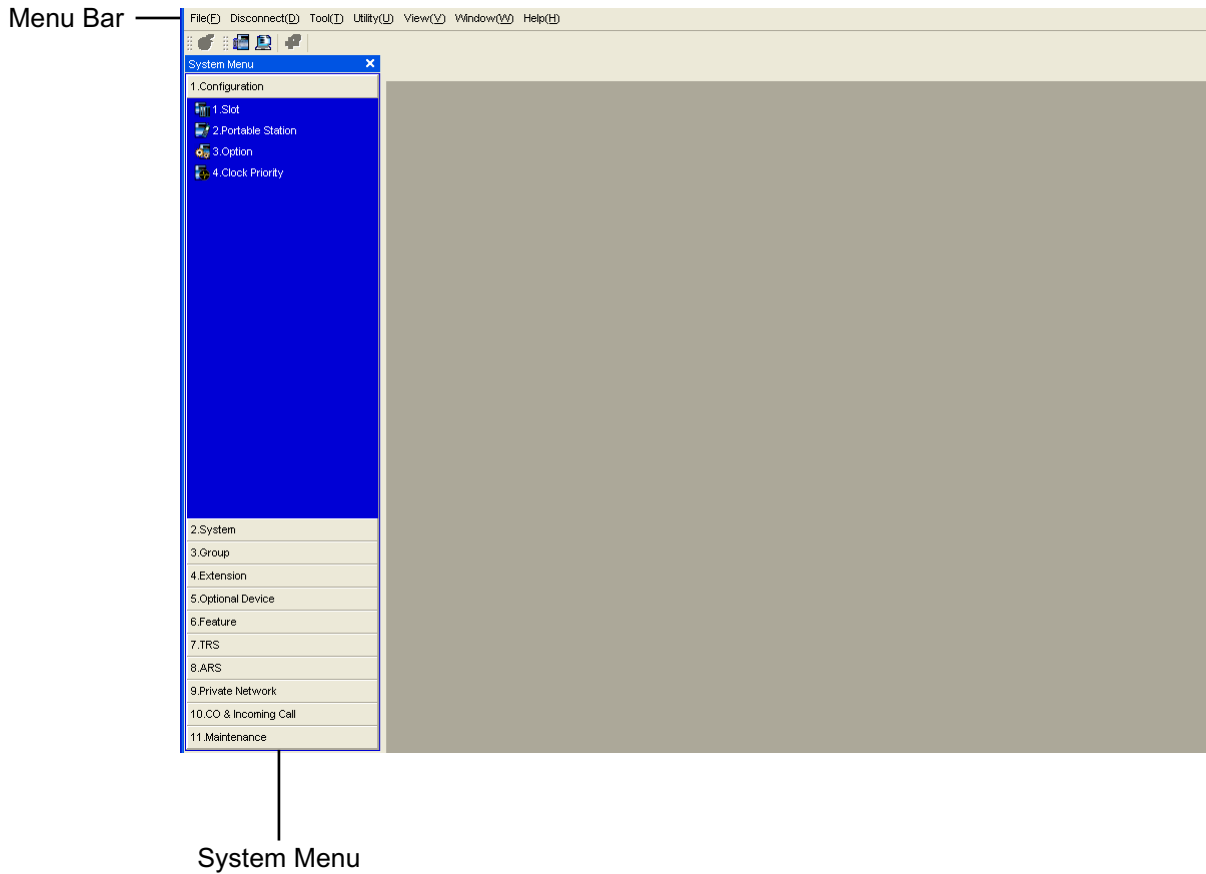
Guide for the Maintenance Console

Explains the installation procedure, structure, and basic information of the Maintenance Console.

3.1 Overview

3.1.1 Overview

The Maintenance Console is designed to serve as an overall system programming reference for the PBX. To programme and administer the PBX by PC, you need to install the Maintenance Console onto the PC. This section describes overview and installation of the Maintenance Console only.



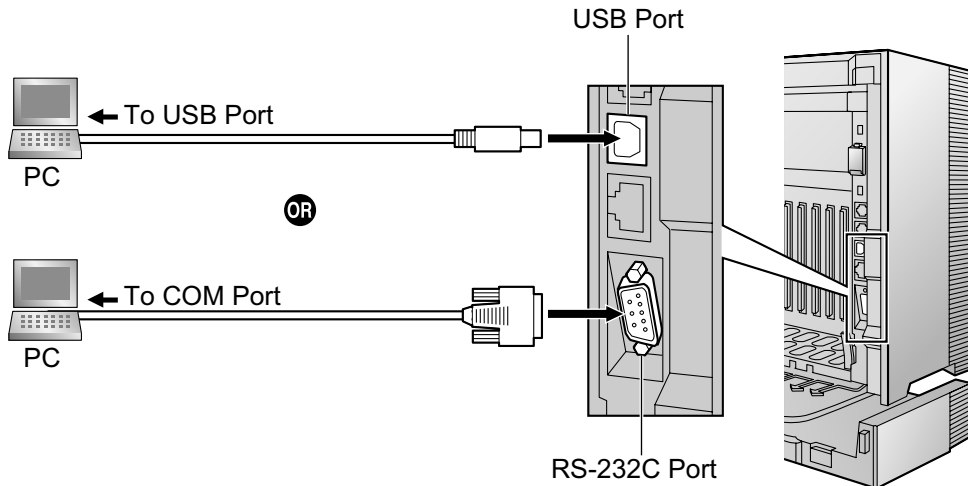
Note

The contents and design of the software are subject to change without notice.

3.2 PC Connection

3.2.1 PC Connection

Serial Interface Connection



CAUTION

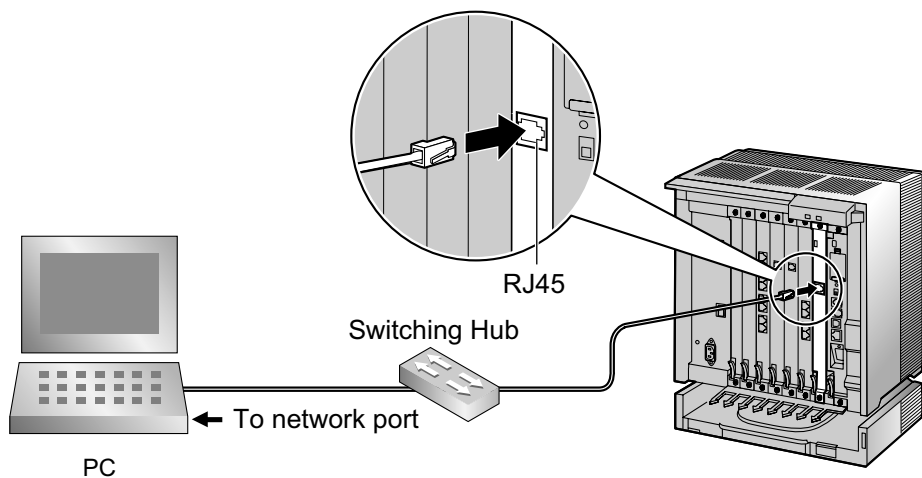
To protect the system, keep the following in mind:

1. Make sure that both connector cases (frame ground) of the RS-232C cross cable (shielded cable)/USB cable are conductive. If they are not conductive, make sure that both connector cases of the cable are firmly connected.
2. If this is not possible, connect the frame of the PBX to the frame of the PC using an earthing wire in order to prevent difference in the electrical potentials.

Note

For pin assignments and maximum cabling distance, refer to "2.9.1 Connection of Peripherals".

LAN Connection via CTI-LINK Card

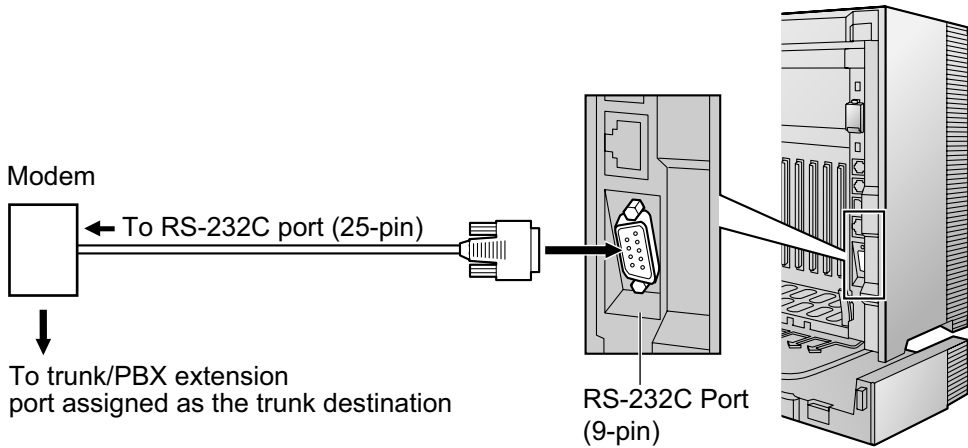


3.2.1 PC Connection

Note

For pin assignments and maximum cabling distance, refer to "2.6.8 CTI-LINK Card (KX-TDA0410)".

External Modem Connection



| External Modem (25-pin) | | PBX (9-pin) | |
|-------------------------|---------|-------------|-------------|
| Signal Name | Pin No. | Pin No. | Signal Name |
| RD (RXD) | 3 | 2 | RD (RXD) |
| SD (TXD) | 2 | 3 | SD (TXD) |
| ER (DTR) | 20 | 4 | ER (DTR) |
| DR (DSR) | 6 | 6 | DR (DSR) |

CAUTION

To protect the system, keep the following in mind:

1. Make sure that both connector cases (frame ground) of the RS-232C straight cable (shielded cable) are conductive. If they are not conductive, make sure that both connector cases of the cable are firmly connected.
2. If this is not possible, connect the frame of the PBX to the frame of the PC using an earthing wire in order to prevent difference in the electrical potentials.

After connecting the PBX and the external modem, set the power switch of the external modem to "ON", then the external modem will be initialised with the default values.

The following AT command settings may be required for the modem:

- The Data Terminal Ready (DTR) signal should be ignored.
- The Data Terminal Equipment (DTE)/Modem flow control should be turned off.
- Data compression should be disabled.
- Error Correction is not necessary.

Note

- An AT command (for initialisation, enabling automatic answer, etc.) can only be programmed by the Maintenance Console. "AT&F" is stored as the default value.
- For more information about the AT command, refer to the external modem's instructions.

3.3 Installation of the Maintenance Console

3.3.1 Installing and Starting the Maintenance Console

System Requirements

Required Operating System

- Microsoft® Windows® XP, Windows Vista® Business, or Windows 7 Professional operating system

Minimum Hardware Requirements

- HDD: 100 MB of available hard disk space

Recommended Display Settings

- Screen resolution: XGA (1024 × 768)
- DPI setting: Normal size (96 DPI)

Password Security

CAUTION

To the Administrator or Installer regarding the system password

1. Please provide all system passwords to the customer.
2. To avoid unauthorised access and possible abuse of the PBX, keep the passwords secret, and inform the customer of the importance of the passwords, and the possible dangers if they become known to others.
3. The PBX has default passwords preset. For security, change these passwords the first time that you programme the PBX.
4. Change the passwords periodically.
5. It is strongly recommended that passwords of 10 numbers or characters be used for maximum protection against unauthorised access. For a list of numbers and characters that can be used in system passwords, refer to "1.1.2 Entering Characters" in the PC Programming Manual.

Installing the Maintenance Console

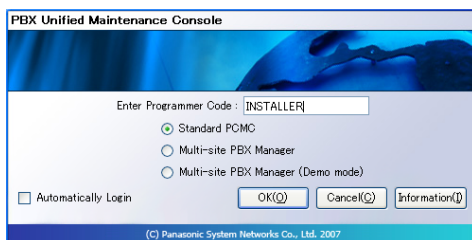
Note

- Make sure to install and use the latest version of the Maintenance Console.
 - To install or uninstall the software on a PC running Windows XP Professional, you must be logged in as a user in either the "Administrators" or "Power Users" group.
 - To install or uninstall the software on a PC running Windows Vista Business or Windows 7 Professional, you must be logged in as a user in the "Administrators" group.
 - To connect the PC to the PBX via USB, the KX-TDA USB driver must be installed. Follow the instructions of the wizard to install the KX-TDA USB driver. When the PBX is first connected to the PC via USB, you may be asked to select the appropriate USB driver. Browse for and select the KX-TDA USB driver that was installed previously.
1. Copy the setup file of the Maintenance Console to your PC.
 2. Double-click the setup file to run the installer.
 3. Follow the on-screen instructions provided by the installation wizard.

Starting the Maintenance Console and Assigning the Basic Items (Quick Setup)

When you start the Maintenance Console with the Installer Level Programmer Code and connect to the PBX for the first time after initialisation (with the factory default setting), Quick Setup will launch automatically. During Quick Setup, you will set up the basic items. For details about the basic items, refer to "2.3.4 Quick Setup" in the Feature Guide.

1. Connect the PC to the PBX with a USB cable.
2. Start the Maintenance Console from the Start menu.
3. "Information before programming" appears.
 - a. Carefully read this important additional information, which includes updates to this and other manuals.
 - b. Click **OK** to close this window.
4.
 - a. Enter the Installer Level Programmer Code (default: **INSTALLER**).
The Programmer Code authorises different programming levels, and the Quick Setup is only available when you start the Maintenance Console with the Installer Level Programmer Code.

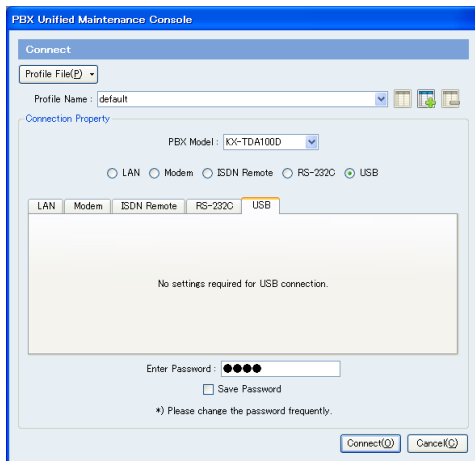


Note

There are 2 other Programmer Codes with limited authorisation: Administrator Level (default: **ADMIN**), and User Level (default: **USER**).

- b. Click **OK**.
5. Click **Connect**.





6. a. Select your PBX model from **PBX Model**.

Note

- The appropriate PBX model is **KX-TDA150** or **KX-TDA100D**.
- Depending on the type of Maintenance Console used, you may not be required to select a PBX model.

- b. Select the **USB** tab.

- c. Enter the system password for installer (default: **1234**).

- d. Click **Connect**.

Note

To connect to the PBX via USB, the KX-TDA USB driver must be installed on the PC, as explained above in "Installing the Maintenance Console".

7. **When country/area data do not match:**

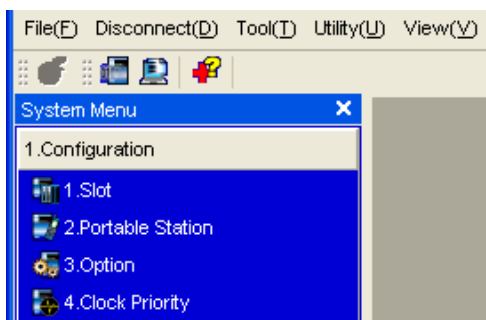
- a. Click **OK** to replace the country/area data of the PBX. Replacement may take several minutes to complete.

- b. Follow the procedure described in "2.11.1 Starting the PBX" and restart the PBX.

- c. Repeat step 5 to reconnect the Maintenance Console to the PBX.

8. Follow the instructions of the Quick Setup wizard and assign the basic items (Quick Setup).

The system menu appears. You may now begin programming the PBX.



Notice

1. During a long programming session, it is highly recommended that you periodically save the system data to the SD Memory Card. If the PBX undergoes a sudden power failure or if the system is reset for some reason, all the system data in RAM will be lost. However, if system data has been saved to the SD Memory Card, it can be easily restored.

To save the system data to the SD Memory Card, (1) click the **"SD Memory Backup"** icon before resetting the PBX or turning off the power, or (2) exit the Maintenance Console so that the PBX automatically saves the system data.

2. The PC will not perform any shutdown operation, or enter the power-saving system standby mode while the Maintenance Console is connected to the PBX. To perform either of the operations above, first close the connection to the PBX.

3.3.1 Installing and Starting the Maintenance Console

CAUTION

Do not remove the SD Memory Card while power is supplied to the PBX. Doing so may cause the PBX to fail to start when you try to restart the system.

Section 4

Troubleshooting

This section provides information on the PBX and telephone troubleshooting.

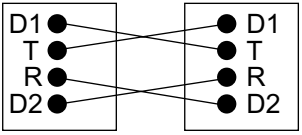
4.1 Troubleshooting

4.1.1 Installation

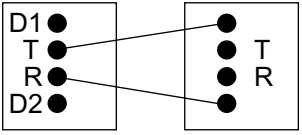
| PROBLEM | PROBABLE CAUSE | SOLUTION |
|----------------------------------------------------------------------------------------------------------------|-----------------------------------------------------------------------------------------|--------------------------------------------------------------------------------------------------------------------------------------------------------------------------------------------------------------------------------------------------------------------------------------------------------------------------|
| Extension does not operate. | Bad extension card. | <ul style="list-style-type: none"> Exchange the card for a known working one. |
| | Bad connection between the PBX and telephone. | <ul style="list-style-type: none"> Take the telephone and plug it into the same extension port using a short telephone cord. If the telephone works, then the connection between the PBX and the telephone must be repaired. |
| | A telephone with an A-A1 relay is connected. | <ul style="list-style-type: none"> Use a 2-wire cord. Set the A-A1 relay switch of the telephone to the "OUT" or "OFF" position. |
| | Bad telephone. | <ul style="list-style-type: none"> Take the telephone and plug it into another extension port that is working. If the telephone does not work, replace the telephone. |
| The PBX does not operate properly. | | <ul style="list-style-type: none"> Press the Reset Button (refer to "4.1.4 Using the Reset Button"). Turn off the power switch, and then turn it back on. Turn off the power switch, and then unplug the PBX. After 5 minutes, plug the PBX back in, and turn the power switch back on. |
| Distorted external music. | Excessive input level from external music source. | <ul style="list-style-type: none"> Decrease the output level of the external music source by using the volume control on the music source. |
| Alternate Calling—Ring/Voice and Live Call Screening (LCS) do not function as set when using a Wireless Phone. | Voice-calling mode and Hands-free mode with LCS are not available with Wireless Phones. | <ul style="list-style-type: none"> Switch the calling mode to ring-calling. Set the LCS mode to "Private". |
| The ALARM indicator on the front of the shelf turns on red. | A major system error occurs in the PBX. | <ul style="list-style-type: none"> See the error log using the Maintenance Console (refer to "4.1.5 Troubleshooting by Error Log"). |

4.1.2 Connection

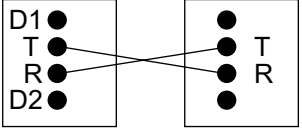
Connection between the PBX and a PT:

| | | | |
|----------------------------|----|-------------------------------------------------------------------------------------------------------------------------------------------------------------------|--------------------------------------------------------------------------------------------------|
| Can you dial an extension? | No | CAUSE | SOLUTION |
| | | <p>The T/R is connected to the D1/D2.</p>  <p>PBX Extension</p> | <p>Use the correct cord (the inner 2 wires are for T/R and the outer 2 wires are for D1/D2).</p> |

Connection between the PBX and an SLT:

| | | | |
|----------------------------|----|--------------------------------------------------------------------------------------------------------------------------------------------------------------------|-----------------------------------------------------------------------------------------------------------------------------------------------------------------------------------------------------------------------------------------|
| Can you dial an extension? | No | CAUSE | SOLUTION |
| | | <p>The T/R is connected to the D1/D2.</p>  <p>PBX Extension</p> | <p>Use the correct cord (the inner 2 wires are for T/R).</p> <ul style="list-style-type: none"> If a telephone equipped with an A-A1 relay is connected to the PBX, set the A-A1 relay switch of the telephone to "OFF". |

Connection between the PBX and an SLT that is polarity-sensitive:

| | | | |
|----------------------------|----|-------------------------------------------------------------------------------------------------------------------------------------------------------------------|--------------------------------------------|
| Can you dial an extension? | No | CAUSE | SOLUTION |
| | | <p>The "T" is connected to the "R".</p>  <p>PBX Extension</p> | <p>Reverse the connections of the T/R.</p> |

Yes

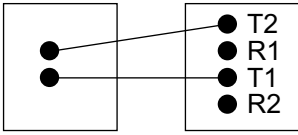
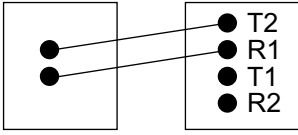
(Continued on the next page.)

Connection between the trunk and the PBX:

(Continued from the previous page.)

Can you dial out on a trunk?

No

| CAUSE | SOLUTION |
|--------------------------------------------------------------------------------------------------------------------------------------------|--------------------------------------------------------------------------------------------------|
| <p>Trunk is connected to the T2/T1.</p>  <p>Trunk PBX</p> | <p>Reconnect the trunk to the T1/R1 or T2/R2 of the telephone jack using 2-conductor wiring.</p> |
| <p>Trunk is connected to the T2/R1.</p>  <p>Trunk PBX</p> | |

4.1.3 Operation

| PROBLEM | PROBABLE CAUSE | SOLUTION |
|---------------------------------------------------------------------------------------------------------------------------------------------------|----------------------------------------------------------------------------------------------------------------------------------------|-------------------------------------------------------------------------------------------------------------------------------------|
| <ul style="list-style-type: none"> When using the speakerphone/monitor mode with a DPT, nothing is audible. | <ul style="list-style-type: none"> The "HEADSET" mode is selected by Personal Programming, "Handset/Headset Selection". | <ul style="list-style-type: none"> When the headset is not used, select the "HANDSET" mode by Personal Programming. |
| <ul style="list-style-type: none"> The PT does not ring. | <ul style="list-style-type: none"> The ringer volume is off. | <ul style="list-style-type: none"> Turn on the ringer volume. |
| <ul style="list-style-type: none"> During a power failure, extensions connected to ports 1 to 2 of MCSLC16/MCSLC24 do not operate. | <ul style="list-style-type: none"> A DPT is connected to the extension port. | <ul style="list-style-type: none"> Disconnect the DPT and connect an SLT. |
| | <ul style="list-style-type: none"> The dialling mode (tone or pulse) is incorrect. | <ul style="list-style-type: none"> Set the Tone/Pulse switch to the other position. |
| <ul style="list-style-type: none"> Originating an outside call, call transfer, or conference cannot be performed. | <ul style="list-style-type: none"> The corresponding CO button does not exist on the PT. | <ul style="list-style-type: none"> Programme the CO button. Refer to "1.20.2 Flexible Buttons" in the Feature Guide. |

4.1.4 Using the Reset Button

If the PBX does not operate properly, use the Reset Button. Before using the Reset Button, try the system feature again to confirm whether there definitely is a problem or not.

CAUTION

In order to avoid possible corruption of data on the SD Memory Card, please ensure that the "SD ACCESS" LED is off before pressing the Reset Button.

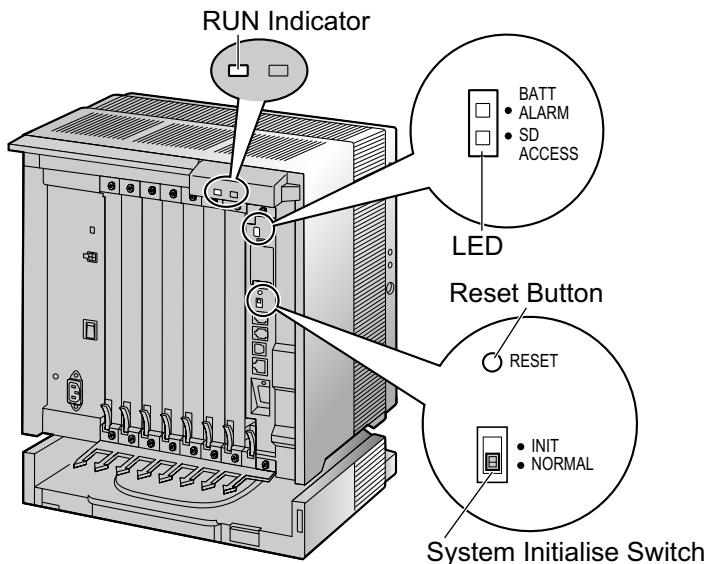
Note

- When the System Initialise Switch is set to "NORMAL", pressing the Reset Button causes the following:
 - Camp-on is cleared.
 - Calls on hold are terminated.
 - Calls on exclusive hold are terminated.
 - Calls in progress are terminated.
 - Call park is cleared.Other data stored in memory, except the above, are not cleared.
- Be aware that pressing the Reset Button with the System Initialise Switch in the "INIT" position clears all data stored in the PBX. Do not perform this operation unless you intend to delete all data from the PBX.

Operation

If the PBX does not operate properly:

1. Slide the System Initialise Switch to the "NORMAL" position.
2. Press the Reset Button for about 1 second.



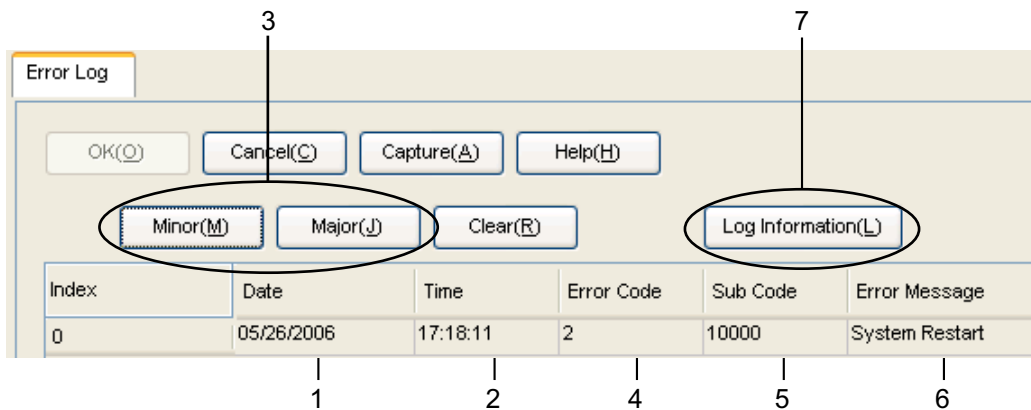
4.1.5 Troubleshooting by Error Log

When a major system error occurs in the PBX, the ALARM indicator on the front of the shelf turns on red, and the system logs the error information.

Error Log Display Format

Below is the display format of the error log. For information about how to view the error log using the Maintenance Console, refer to "2.6.8 Utility—Error Log" in the PC Programming Manual.

Example: Maintenance Console



Example: Station Message Detail Recording (SMDR)

```

04/01/01 10:37AM MJ ALM #000 10000 MPR WDT overflow
04/01/01 11:07AM MN ALM #010 10000 AC power down
04/01/01 03:55PM MN ALM #301 10501 Digital trunk RAI reception
  
```

Numbered callouts 1 through 6 are placed below the SMDR lines to indicate field positions: 1 under the date, 2 under the time, 3 under the level (MJ/MN), 4 under the alarm number (#), 5 under the error code, and 6 under the error message.

Description

| | Item | Description |
|---|------------|---------------------------------------------|
| 1 | Date | The date of the error detection. |
| 2 | Time | The time of the error detection. |
| 3 | Level | Minor (MN ALM) |
| | | Major (MJ ALM) |
| 4 | Error Code | The 3-digit error code assigned by the PBX. |

4.1.5 Troubleshooting by Error Log

| | Item | Description |
|---|-----------------|-------------------------------------------------------------------------------------------------------------------------------------------------------------------------------------------------------------------------------------------------------------------------------------------------------------------------------------------------------------------------------------------------------------------------------------------------------------------------------------------------------------------------------------------------------------------------------------------------------------------------------------------------------------------------------------------------------------------------------------------------------------------------------------------------------------------------------------------------------------------------------------------------------------------------------------------------------|
| 5 | Sub Code | <p>The 5-digit sub code of the relevant hardware (1XXYY).</p> <ul style="list-style-type: none">• 1: Shelf number• XX: Slot number<ul style="list-style-type: none">– 00 to 07, 11 (00: DMPR Card Slot; 01 to 07: Free Slots; 11: DLC4 Port on the DMPR Card)• YY: Physical port number<ul style="list-style-type: none">– For optional service cards except OPB3 card: Physical port number (01 to 24) will be displayed.– For OPB3 card: Sub slot number (1 to 3) + port number (1 to 4) will be displayed as follows:<ul style="list-style-type: none">• Sub slot 1 of OPB3: 11 to 14• Sub slot 2 of OPB3: 21 to 24• Sub slot 3 of OPB3: 31 to 34 <p>Note</p> <p>When there are no parameters for the slot and physical port numbers, XX and YY will be displayed as "00". Example: Sub code for DMPR card = 10000</p> |
| 6 | Error Message | A description of the error. |
| 7 | Log Information | Displays probable causes of the errors and their solutions. |

Index

Numerics

- 16-Channel Echo Canceller Card (KX-TDA0166) 19, 112
- 16-Channel VoIP Extension Card (KX-TDA0470) 20, 101
- 16-Channel VoIP Gateway Card (KX-TDA0490) 20, 90
- 16-Port Analogue Trunk Card (KX-TDA0181) 19, 63
- 16-Port Digital Extension Card (KX-TDA0172) 19, 96
- 16-Port Single Line Telephone Extension with Caller ID and Message Lamp Card (KX-TDA1176) 21, 98
- 24-Port Single Line Telephone Extension with Caller ID and Message Lamp Card (KX-TDA1178) 21, 98
- 2-Channel Simplified Voice Message Card (KX-TDA0192) 20, 114
- 2-Port Doorphone Card (German Type) (KX-TDA0162) 19, 106
- 4 Cell Station Interface Card (KX-TDA0143) 19, 92
- 4-Channel Message Card (KX-TDA0191) 20, 113
- 4-Channel Simplified Voice Message Card (KX-TDA0194) 20, 114
- 4-Channel VoIP Gateway Card (KX-TDA0484) 20, 88
- 4-Port Analogue Trunk Card (KX-TDA0183) 19, 63
- 4-Port BRI Card (KX-TDA0284) 20, 78
- 4-Port Doorphone Card (KX-TDA0161) 19, 104
- 4-Port External Input/Output Card (KX-TDA0164) 19, 109
- 8 Cell Station Interface Card (KX-TDA0144) 19, 92
- 8-Port Analogue Trunk Card (KX-TDA0180) 19, 63
- 8-Port Analogue Trunk Card with CID (KX-TDA1180) 21, 63
- 8-Port Analogue Trunk with Caller ID Daughter Card (KX-TDA1186) 21, 69
- 8-Port BRI Card (KX-TDA0288) 20, 78
- 8-Port Caller ID Card (KX-TDA0193) 20, 68
- 8-Port Caller ID/Pay Tone Card (KX-TDA0189) 19, 67
- 8-Port DID Card (KX-TDA0182) 19, 65
- 8-Port Digital Extension Card (KX-TDA0171) 19, 94
- 8-Port E & M Trunk Card (KX-TDA0184) 19, 70

A

- About the software version of your PBX 12
- Amphenol Connector 53, 54

B

- Backup Battery Connection 40
- Backup Power Supply Duration 40
- Basic Shelf 16
- Basic Shelf, Construction 16
- Basic Shelf, Names and Locations 35
- BGM 125
- Blank Slot Cover 44
- BRI4 Card (KX-TDA0284) 78
- BRI8 Card (KX-TDA0288) 78

C

- Cable Distance 117
- Cable Handling 45
- Characteristics 24
- CID/PAY8 Card (KX-TDA0189) 67
- CID8 Card (KX-TDA0193) 68
- CLCOT8 Card (KX-TDA1180) 63
- CLCOT8E Card (KX-TDA1186) 69
- Components, System 2

- Connecting Backup Batteries 40
- Connection Diagram, System 17
- Connector Types 47
- Cover for Blank Slot 44
- CSIF4 Card (KX-TDA0143) 92
- CSIF8 Card (KX-TDA0144) 92
- CTI Link Card (KX-TDA0410) 20, 115
- CTI Server Connection (via USB version 2.0) 129
- CTI—First Party Call Control 121
- CTI-LINK Card (KX-TDA0410) 115
- CTI—Third Party Call Control 115, 129

D

- DID8 Card (KX-TDA0182) 65
- Digital EXtra Device Port (Digital XDP) Connection 119
- Digital XDP 119
- Digital XDP Connection, Using an EXtra Device Port 119, 120
- DLC16 Card (KX-TDA0172) 96
- DLC8 Card (KX-TDA0171) 94
- DMPR Card 60
- Door Opener 104, 106, 122
- Doorphone 104, 106, 122
- DPH2 Card (KX-TDA0162) 106
- DPH4 Card (KX-TDA0161) 104

E

- E&M8 Card (KX-TDA0184) 70
- E1 Card (KX-TDA0188) 75
- E-1 Trunk Card (KX-TDA0188) 19, 75
- ECHO16 Card (KX-TDA0166) 112
- EIO4 Card (KX-TDA0164) 109
- Error Log 151
- ESVM2Card (KX-TDA0192) 114
- ESVM4Card (KX-TDA0194) 114
- Examples 40
- Expansion Shelf, Names and Locations 35
- External Relay 109, 111, 122
- External Sensor 109, 111, 122

F

- Ferrite Core 49
- First Party Call Control CTI Connection 121
- Frame Earth Connection 39
- Front Cover, Closing 38
- Front Cover, Opening 37

I

- Installation Precautions 32
- IP-EXT16 Card (KX-TDA0470) 101
- IP-GW16 Card (KX-TDA0490) 90
- IP-GW4E Card (KX-TDA0484) 88

K

- KX-TDA0143 (4 Cell Station Interface Card) 19, 92
- KX-TDA0144 (8 Cell Station Interface Card) 19, 92
- KX-TDA0161 (4-Port Doorphone Card) 19, 104
- KX-TDA0162 (2-Port Doorphone Card [German Type]) 19, 106

- KX-TDA0164 (4-Port External Input/Output Card) 19, 109
 KX-TDA0166 (16-Channel Echo Canceller Card) 19, 112
 KX-TDA0171 (8-Port Digital Extension Card) 19, 94
 KX-TDA0172 (16-Port Digital Extension Card) 19, 96
 KX-TDA0180 (8-Port Analogue Trunk Card) 19, 63
 KX-TDA0181 (16-Port Analogue Trunk Card) 19, 63
 KX-TDA0182 (8-Port DID Card) 19, 65
 KX-TDA0183 (4-Port Analogue Trunk Card) 19, 63
 KX-TDA0184 (8-Port E & M Trunk Card) 19, 70
 KX-TDA0187 (T-1 Trunk Card) 19, 72
 KX-TDA0188 (E-1 Trunk Card) 19, 75
 KX-TDA0189 (8-Port Caller ID/Pay Tone Card) 19, 67
 KX-TDA0190 (Optional 3-Slot Base Card) 19, 103
 KX-TDA0191 (4-Channel Message Card) 20, 113
 KX-TDA0192 (2-Channel Simplified Voice Message Card) 20, 114
 KX-TDA0193 (8-Port Caller ID Card) 20, 68
 KX-TDA0194 (4-Channel Simplified Voice Message Card) 20, 114
 KX-TDA0196 (Remote Card) 20, 62
 KX-TDA0284 (4-Port BRI Card) 20, 78
 KX-TDA0288 (8-Port BRI Card) 20, 78
 KX-TDA0290 (PRI Card [PRI23]) 20, 85
 KX-TDA0290CE/KX-TDA0290CJ (PRI Card [PRI30]) 20, 82
 KX-TDA0410 (CTI Link Card) 20, 115
 KX-TDA0470 (16-Channel VoIP Extension Card) 20, 101
 KX-TDA0484 (4-Channel VoIP Gateway Card) 20, 88
 KX-TDA0490 (16-Channel VoIP Gateway Card) 20, 90
 KX-TDA0920 (SD Memory Card for Software Upgrade to Enhanced Version) 20, 60
 KX-TDA1176 (16-Port Single Line Telephone Extension with Caller ID and Message Lamp Card) 21, 98
 KX-TDA1178 (24-Port Single Line Telephone Extension with Caller ID and Message Lamp Card) 21, 98
 KX-TDA1180 (8-Port Analogue Trunk Card with CID) 21, 63
 KX-TDA1186 (8-Port Analogue Trunk with Caller ID Daughter Card) 21, 69
- L**
- LCOT16 Card (KX-TDA0181) 63
 LCOT4 Card (KX-TDA0183) 63
 LCOT8 Card (KX-TDA0180) 63
 LED Indications, PBX 135
 Load Figure Calculation 29
- M**
- Main Processing Card (DMPR Card) 60
 Maintenance Console 138
 Maintenance Console, Connection 139
 Maintenance Console, Installation 142
 Maintenance Console, Overview 138
 Maintenance Console, Password Security 141
 Maintenance Console, Quick Setup 142
 Maintenance Console, System Requirements 141
 Master DPT, Digital XDP 119
 Maximum Optional Service Cards 25
 Maximum Terminal Equipment 28
 MCSLC16 Card (KX-TDA1176) 98
 MCSLC24 Card (KX-TDA1178) 98
- MOH 125
 MSG4 Card (KX-TDA0191) 113
- N**
- Names and Locations 35
- O**
- OPB3 Card (KX-TDA0190) 103
 Optional 3-Slot Base Card (KX-TDA0190) 19, 103
 Optional Equipment 19
 Optional Service Card, Installation 42
 Optional Service Card, Maximum Number 25
 Optional Service Card, Removal 46
- P**
- Pager 126
 Panasonic Proprietary Telephones, Compatible 3
 Panasonic Proprietary Telephones, Incompatible 3
 Password Security 141
 PC Connection (via RS-232C) 126
 PC Connection (via USB version 2.0) 129
 Power Failure Connections 130
 Power Supply Unit Capacity 29
 PRI Card (PRI23) (KX-TDA0290) 20, 85
 PRI Card (PRI30) (KX-TDA0290CE/CJ) 20
 PRI Card (PRI30) (KX-TDA0290CE/KX-TDA0290CJ) 82
 PRI23 Card (KX-TDA0290) 85
 PRI30 Card (KX-TDA0290CE/KX-TDA0290CJ) 82
 Printer Connection (via RS-232C) 126
- Q**
- Quick Setup 142
- R**
- Remote Card (KX-TDA0196) 20, 62
 Reset Button 150
 RMT Card (KX-TDA0196) 62
 RUN Indicator 134
- S**
- Safety Installation Instructions 32
 SD Memory Card 60
 SD Memory Card for Software Upgrade to Enhanced Version (KX-TDA0920) 20, 60
 Slave DPT, Digital XDP 119
 Specifications 22
 Specifications, Characteristics 24
 Specifications, General Description 22
 Specifications, System Capacity 25
 Starting the PBX 134
 Surge Protector Installation 57
 System Capacity 25
 System Components Table 2
 System Connection Diagram 17
 System Initialisation Procedure 134
 System Initialise Switch 134, 150
 System Requirements 141

Index

T

- T1 Card (KX-TDA0187) 72
- T-1 Trunk Card (KX-TDA0187) 19, 72
- Terminal Equipment, Maximum Number 28
- Troubleshooting, by Error Log 151
- Troubleshooting, Connection 147
- Troubleshooting, Installation 146
- Troubleshooting, Operation 149
- Troubleshooting, Using the Reset Button 150
- Trunk Connection 135

U

- Unpacking 34

W

- Wall Mounting 55
- Wiring Precautions 33

For Future Reference

Please print, record, and retain the following information for future reference.

Note

The serial number of this product can be found on the label affixed to the unit. You should record the model number and the serial number of this unit as a permanent record of your purchase to aid in identification in the event of theft.

| | |
|-------------------|----------------------------------|
| MODEL NO. | _____ |
| SERIAL NO. | _____ |
| DATE OF PURCHASE | _____ |
| NAME OF DEALER | _____ |
| DEALER'S ADDRESS | _____ _____ _____ _____ |
| DEALER'S TEL. NO. | _____ |

Panasonic System Networks Co., Ltd.

1-62, 4-chome, Minoshima, Hakata-ku, Fukuoka 812-8531, Japan

Web Site: <http://www.panasonic.net/>

Copyright:

This material is copyrighted by Panasonic System Networks Co., Ltd., and may be reproduced for internal use only. All other reproduction, in whole or in part, is prohibited without the written consent of Panasonic System Networks Co., Ltd.

© Panasonic System Networks Co., Ltd. 2011