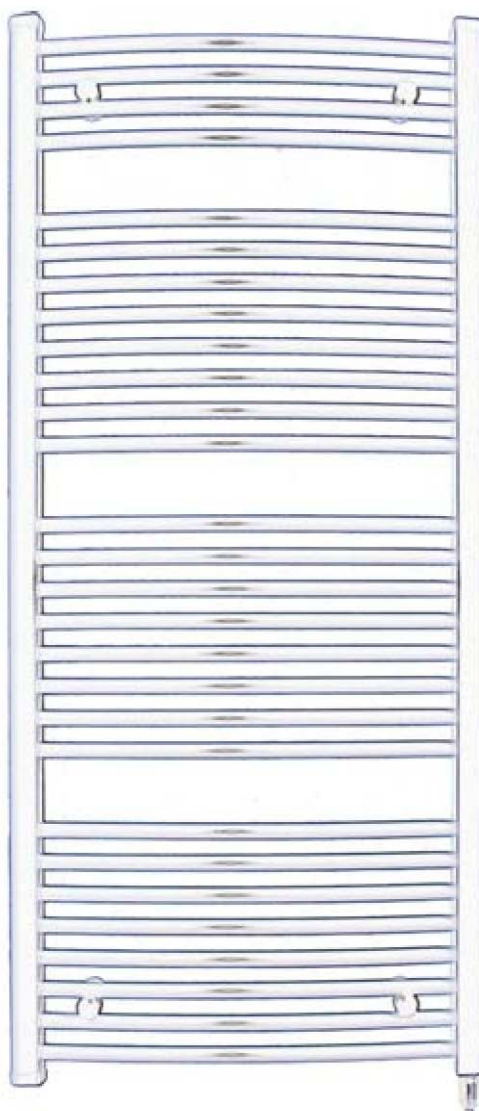


INSTALLATION AND USER MANUAL



FENIX

1. Product description

- These electric bathroom units are intended for the local heating of bathrooms, corridors, WCs, kitchenettes, etc. and also for the drying of towels, dish towels and textiles, which can be hung on the unit.

2. Technical parameters

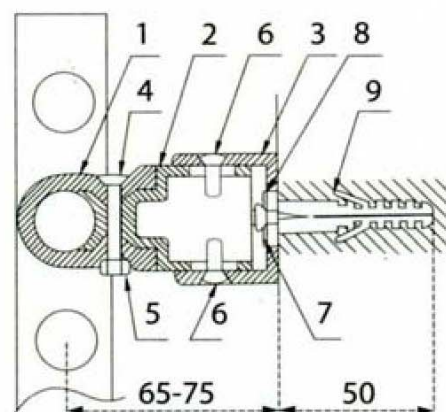
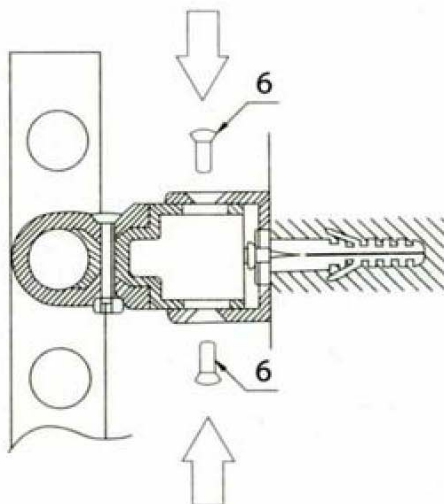
- Wattage of the electric heating element: see the heating element's warranty certificate
- Operating voltage: 230 V
- Temperature limiter: the device is switched off at a temperature of 85°C (the maximum temperature of the liquid inside the unit)
- Rating: IP65
- Freezing point of the liquid inside the unit: -5°C

3. Installation instructions

- All radiators are hung on the wall with the help of plastic brackets attached over the tubes. Place the brackets onto the radiator on the second tube from the top and the second tube from the bottom, approximately 30 – 50 mm from the vertical bars. Smaller types of radiator only require 3 brackets (two for the top and one on the second tube from the bottom, in the middle).

Mounting of the plastic brackets:

- Remove the horseshoe-shaped component from the bracket (position 1)
- Place the body of the fixing bracket (position 2) against the tube at the intended location and draw in the horseshoe-shaped component (position 2), tightening the screw and nut slightly (position 4, 5)
- Mark the holes for wall plugs on the wall.
- Drill holes with a diameter of 10 mm to a depth of 55 mm.
- Attach the rear part of the bracket (position 3) to the wall using a screw, base and wall anchor (position 7, 8, 9).
- Slide the radiator with the attached parts of the fixing bracket (position 1, 2) into the part (position 3) which is attached to the wall.
- Fix with screws (position 6).



4. Safety instructions for installation

- *The electric device must only be connected to the 230V AC 50Hz mains; the connection in the bathroom must conform to ČSN standards.*
- *The electric heating element must not be installed from the top part of the radiator.*
- *Install the radiator in such a way that the heating element is always at the bottom, in a vertical position.*
- *Always disconnect the radiator from the mains during maintenance, cleaning and if it isn't in use.*
- *The electric radiator is produced only for the purpose of heating or drying (to finish the drying) of textiles.*
- *The electric radiator must not be taken apart, emptied or adapted in any way.*
- *Connection of the product to the mains must comply with general safety requirements as well as technical standards for the connection of electric appliances. The installed plug has a lower rating than the product; its removal doesn't void the warranty.*
- *If you need any assistance, do not hesitate to seek the help of our specialists (tel. 602 745 290).*

CERTIFICATE OF WARRANTY

WARRANTY PROVISIONS:

- The manufacturer guarantees the completeness, quality and functionality of the heating unit according to its technical specifications, and isn't liable for deficiencies arising from non-expert design work, wrong calculations of heat loss, mounting, etc.
- The warranty period extends for 24 months from the date of sale
- The warranty doesn't apply to mechanical damage
- When making a claim the claimant must submit a filled-in warranty certificate, a warranty certificate for the heating element and proof of purchase (invoice, receipt, ...).

WARRANTY CERTIFICATE TO BE FILLED IN

Type: _____

Date of sale: _____

Stamp and signature of seller: _____

Manufacturer: Thermal Trend, spol. s.r.o.

Starovičky 271

post office 639 01 Hustopeče u Brna

tel/fax: 519 414 032

Organization identification number: 63490455

Tax identification number: CZ63490455

www.thermal-trend.cz



Fenix Trading s.r.o.

Slezská 2, 790 01 Jeseník

tel.: +420 584 495 304, fax: +420 584 495 303

e-mail: fenix@fenixgroup.cz, <http://www.fenixgroup.cz>