

Built-in hob
User Manual

Plită incorporată
Manual de utilizare

Please read this manual first.

Dear Customer,

We would like you to obtain the best performance from your product which has been manufactured in modern facilities and under strict quality control procedures.

Therefore, we advise you to read through this User Manual carefully before using your product and keep it for future reference. If you hand over the product to someone else, deliver the User Manual as well.

The User Manual will help you use the product in a fast and safe way.

- Read the User Manual before installing and operating the product.
 - You must strictly observe the safety instructions.
 - Keep this User Manual within easy reach for future reference.
 - Also read other documents supplied with the product.
- Remember that this User Manual may also be applicable for several other models. Differences between models are explicitly identified in the manual.

Explanation of symbols

Throughout this User Manual the following symbols are used:



Important information or useful hints about usage.



Warning for hazardous situations with regard to life and property.



Warning for electric shock.



Warning for risk of fire.



Warning for hot surfaces.

Arçelik A.Ş.

Karaağaç caddesi No:2-6
34445 Sütlüce/İstanbul/TURKEY

Made in TURKEY



TABLE OF CONTENTS

1 General information **4**

Overview	4
Technical specifications	5
Package contents	5
Injector table	5

2 Important safety instructions **6**

General safety	6
Safety when working with gas	6
Intended use	7
Safety for children	7

3 Installation **8**

Before installation	8
Installation and connection	9
Gas conversion	11
Disposal	12
Package information	12
Future Transportation	12

Disposing of the old product	12
------------------------------------	----

4 Preparation **13**

Tips for saving energy	13
Initial use	13
First cleaning of the appliance	13

5 How to use the hob **14**

General information about cooking	14
Using the hobs	14

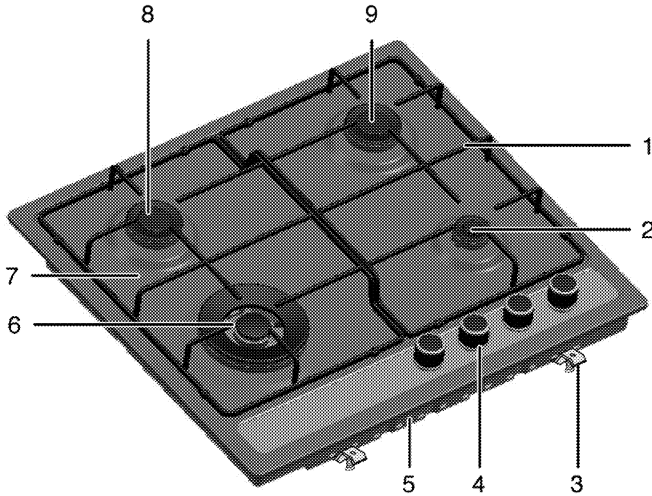
6 Maintenance and care **16**

General information	16
Cleaning the hob	16
Cleaning the control panel	16

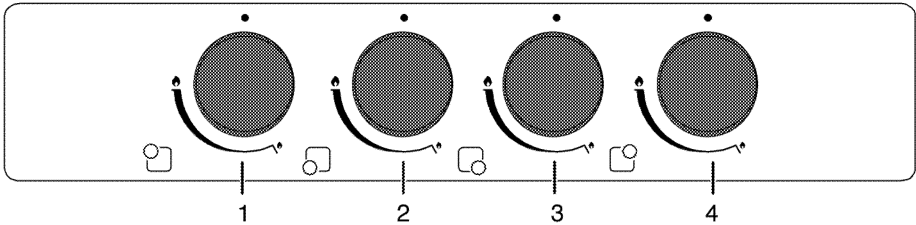
7 Troubleshooting **17**

1 General information

Overview



- | | | | |
|---|------------------|---|---------------|
| 1 | Pan support | 6 | Wok burner |
| 2 | Auxiliary burner | 7 | Burner plate |
| 3 | Assembly clamp | 8 | Normal burner |
| 4 | Control panel | 9 | Normal burner |
| 5 | Base cover | | |



- | | | | |
|---|-------------------------|---|------------------------------|
| 1 | Normal burner Rear left | 3 | Auxiliary burner Front right |
| 2 | Wok burner Front left | 4 | Normal burner Rear right |

Technical specifications

Voltage / frequency	220-240 V ~ 50 Hz
Cable type / section	H05RR-FG 3 x 0,75 mm ²
Cable length	max. 2 m
Category of gas product	Cat II 2H3B/P
Gas type / pressure	NG G 20/20 mbar
Total gas consumption	7.8 kW
Converting the gas type / pressure ^S – optional	LPG G 30/30 mbar
External dimensions (height / width / depth)	99 mm/580 mm/510 mm
Installation dimensions (width / depth)	560 mm/480-490 mm
Burners	
Rear left	Normal burner
Power	1750 W
Front left	Wok burner
Power	3300 W
Front right	Auxiliary burner
Power	1000 W
Rear right	Normal burner
Power	1750 W



Technical specifications may be changed without prior notice to improve the quality of the product.



Figures in this manual are schematic and may not exactly match your product.



Values stated on the product labels or in the documentation accompanying it are obtained in laboratory conditions in accordance with relevant standards. Depending on operational and environmental conditions of the product, these values may vary.

Package contents



Accessories supplied can vary depending on the product model. Not every accessory described in the user manual may exist on your product.

User manual

Coffee pot adaptor



Used for coffe pots.

Injector table

Position hob zone	1750 W Rear left	3300 W Front left	1000 W Front right	1750 W Rear right
Gas type / Gas pressure				
G 20/20 mbar	97	132	78	97
G 30/30 mbar	66	92	50	66

2 Important safety instructions

This section contains safety instructions that will help you avoid risk of injury and damage. All warranties will become void if you do not follow these instructions.

General safety

- This product is not intended to be used by persons with physical, sensory or mental disorders or unlearned or inexperienced people (including children) unless they are attended by a person who will be responsible for their safety or who will instruct them accordingly for use of the product.
Children must be supervised to prevent them from tampering with the product.
- Connect the product to an earthed outlet/line protected by a fuse of suitable capacity as stated in the "Technical specifications" table. Have the earthing installation made by a qualified electrician while using the product with or without a transformer. Our company shall not be liable for any problems arising due to the product not being earthed in accordance with the local regulations.
- If the supply cord is damaged, it must be replaced by the manufacturer, its service agent or similarly qualified persons in order to avoid a hazard.
- Do not operate the product if it is defective or has any visible damage.
- Do not carry out any repairs or modifications on the product. However, you may remedy some troubles that do not require any repairs or modifications. See *Troubleshooting, page 17*.
- Never wash down the product with water! There is the risk of electric shock!
- Never use the product when your judgment or coordination is impaired by the use of alcohol and/or drugs.
- Product must be disconnected from the mains during installation, maintenance, cleaning and repair procedures.

- Be careful when using alcoholic drinks in your dishes. Alcohol evaporates at high temperatures and may cause fire since it can ignite when it comes into contact with hot surfaces.
- Do not heat closed tins and glass jars in the oven. The pressure that would build-up in the tin/jar may cause it to burst.
- Do not place any flammable materials close to the product as the sides may become hot during use.
- Keep all ventilation slots clear of obstructions.
- Make sure that the product function knobs are switched off after every use.


Safety when working with gas

- Any works on gas equipment and systems may only be carried out by authorised qualified persons who are Gas Safe registered.
- "Prior to the installation, ensure that the local distribution conditions (nature of the gas and gas pressure) and the adjustment of the appliance are compatible."
- "This appliance is not connected to a combustion products or evacuation device. It shall be installed and connected in accordance with current installation regulations. Particular attention shall be given to the relevant requirements regarding ventilation;" See *Before installation, page 8*
- "CAUTION: The use of gas cooking appliance results in the production of heat and moisture in the room in which it is installed. Ensure that the kitchen is well ventilated: keep natural ventilation holes open or install a mechanical ventilation device (mechanical extractor hood). Prolonged intensive use of the appliance may call for additional ventilation, for example increasing the level of the mechanical ventilation where present."
- Gas appliances and systems must be regularly checked for proper functioning. Regulator, hose and its clamp must be

checked regularly and replaced within the periods recommended by its manufacturer or when necessary.

- Clean the gas burners regularly. The flames should be blue and burn evenly.
- Good combustion is required in gas appliances. In case of incomplete combustion, carbon monoxide (CO) might develop. Carbon monoxide is a colourless, odourless and very toxic gas, which has a lethal effect even in very small doses.
- Request information about gas emergency telephone numbers and safety measures in case of gas smell from you local gas provider.

What to do when you smell gas

	<p>DANGER Risk of explosion and poisoning! Put out all naked flames and do not smoke, strike matches or do anything that could cause ignition. Do not operate any electric switches (e.g. light switch, TV, computer, cooker or door bell). Do not use a telephone or mobile phone.</p>
--	--

1. Turn off all valves on gas appliances and gas meter at the main control valve, unless it's in a confined space or cellar.
2. Open doors and windows.
3. Check all tubes and connections for tightness. If you still smell gas leave the property.
4. Warn the neighbours.
5. Call the fire-brigade. Use a telephone outside the house.

5.1 If you have door or gates that are secured by an electric lock, or entry phone, please open these manually.

6. Do not re-enter the property until you are told it is safe to do so.

Intended use

This product is designed for domestic use. Commercial use will void the guarantee.

"CAUTION: This appliance is for cooking purposes only. It must not be used for other purposes, for example room heating."

The manufacturer shall not be liable for any damage caused by improper use or handling errors.

Safety for children

- Packaging materials are dangerous to children. Keep packaging materials in a safe place out of reach of children.
- Electrical and/or gas products are dangerous to children. Keep children away from the product when it is operating and do not allow them to play with the product.
- Accessible parts of the appliance will become hot whilst the appliance is in use. Children should be kept away until the product has cooled down.
- Do not place any items above the appliance that children may reach for.
- The packaging materials will be dangerous for children. Keep the packaging materials away from children. Please dispose of all parts of the packaging according to environmental standards.

SAVE THESE INSTRUCTIONS

3 Installation

Product must be installed by a qualified person in accordance with the regulations in force. The manufacturer shall not be held responsible for damages arising from procedures carried out by unauthorized persons which may also void the warranty.



Preparation of location and electrical and gas installation for the product is under customer's responsibility.



DANGER

The product must be installed in accordance with all local gas and/or electrical regulations.



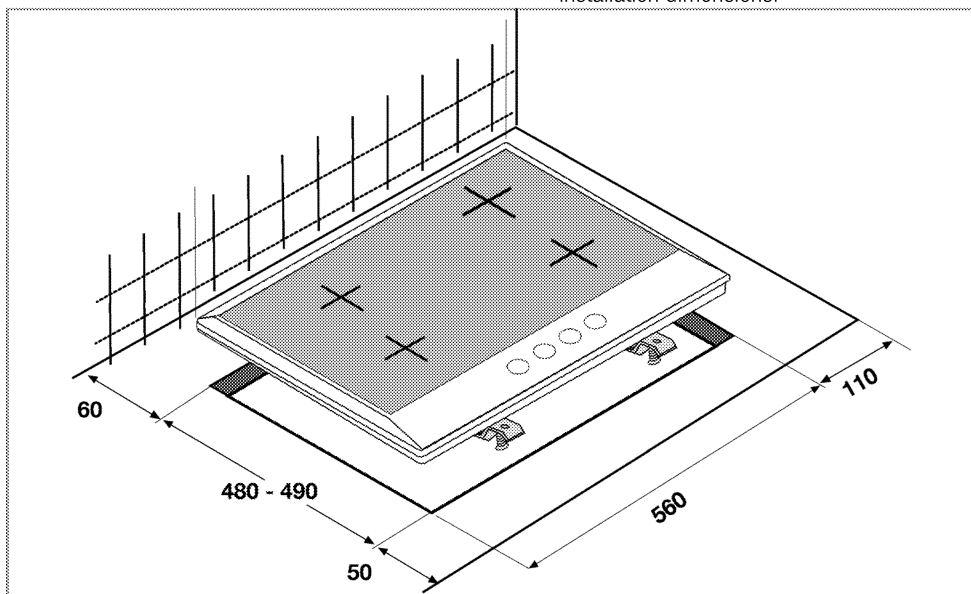
DANGER

Prior to installation, visually check if the product has any defects on it. If so, do not have it installed.
Damaged products cause risks for your safety.

Before installation

The hob is designed for installation in a commercial worktop. A safety distance must be left between the appliance and the kitchen walls and furniture. See figure (values in mm).

- It can also be used in a free standing position. Allow a minimum distance of 750 mm above the hob surface.
- (*) If a cooker hood is to be installed above the cooker, refer to cooker hood manufacturer' instructions regarding installation height (min 650 mm)
- Remove packaging materials and transport locks.
- Surfaces, synthetic laminates and adhesives used must be heat resistant (100 °C minimum).
- The worktop must be aligned and fixed horizontally.
- Cut aperture for the hob in worktop as per installation dimensions.



Room ventilation

All rooms require an openable window, or equivalent, and some rooms will require a permanent vent as well.

The air for combustion is taken from the room air and the exhaust gases are emitted directly into the room.

Good room ventilation is essential for safe operation of your appliance. If there is no window or door available for room ventilation, an extra ventilation must be installed.

The appliance may be located in a kitchen, kitchen/diner or a bed-sitting room, but not in a room containing a bath or shower. The appliance must not be installed in a bed-sitting room of less than 20m³.

Do not install this appliance in a room below ground level unless it is open to ground level on at least one side.


Room size	Ventilation opening
smaller than 5 m ³	min. 100 cm ²
5 m ³ to 10 m ³	min. 50 cm ²
greater than 10 m ³ , den	not required
In the cellar or basement	min. 65 cm ²

Installation and connection


- The product must be installed in accordance with all local gas and electrical regulations.

Electrical connection

Connect the product to a grounded outlet/line protected by a fuse of suitable capacity as stated in the "Technical specifications" table. Have the grounding installation made by a qualified electrician while using the product with or without a transformer. Our company shall not be liable for any damages that will arise due to using the product without a grounding installation in accordance with the local regulations.




DANGER
Risk of electric shock, short circuit or fire by unprofessional installation!
The appliance may be connected to the mains supply only by an authorized qualified person and the appliance is only guaranteed after correct installation.



DANGER
Risk of electric shock, short circuit or fire by damage of the mains lead!
The mains lead must not be clamped, bent or trapped or come into contact with hot parts of the appliance.
If the mains lead is damaged, it must be replaced by a qualified electrician.

- Connection must comply with national regulations.
- The mains supply data must correspond to the data specified on the type label of the product. Type label is at the rear housing of the product.
- Power cable of your product must comply with the values in "Technical specifications" table.




DANGER
Risk of electric shock!
Before starting any work on the electrical installation, please disconnect the appliance from the mains supply.

Connecting the power cable

- If a power cable is not supplied together with your product**, a power cable that you would select from the table in accordance with the electrical installation at your home must be connected to your product by following the instructions in cable diagram.

This product must only be connected by a qualified electrician such as a technician from the local electricity company or NICEIC registered contractor to a suitable double-pole control unit with a minimum contact clearance of 3 mm in all poles. This control unit must be installed accordance with the IEE regulation. Failure to obey this instruction may cause operational problems and invalidate the product warranty.

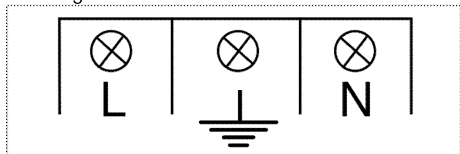


Additional protection by a residual current circuit breaker is recommended.

- Open the terminal block cover with a screwdriver.
- Insert the power cable through the cable clamp below the terminal and secure it to the

main body with the integrated screw on cable clamping component.

4. Connect the cables according to the supplied diagram.



5. After completing the wire connections, close the terminal block cover.
6. Route the power cable so that it will not contact the product and get squeezed between the product and the wall.

i Power cable must not be longer than 2 m because of safety reasons.

Gas connection

! DANGER
Risk of explosion or poisoning by unprofessional installation.
The appliance may be connected to the gas distribution system only by an authorized qualified person who is Gas Safe registered.

! DANGER
Risk of explosion!
Before starting any work on the gas installation, please shut off the gas supply.

- Gas adjustment conditions and values are stated on labels (or ion type label).

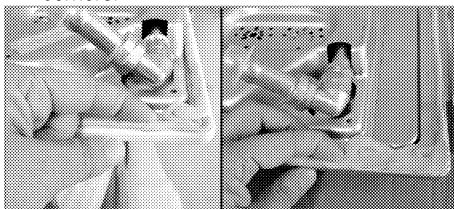
i Your appliance is adjusted for Natural gas.

- Natural gas installation must be prepared before installing the product.
- There must be a flex pipe at the outlet of the installation for the natural gas connection of your product and the tip of this pipe must be closed with a blind plug. Service Representative will remove the blind plug during connection and connect your product by means of a straight connection device (coupling).
- Make sure that the natural gas valve is readily accessible.

- If you need to use your product later with a different type of gas, you must consult the Authorised Service Agent for the related conversion procedure.

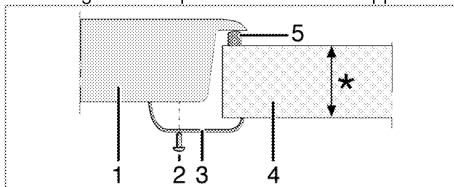
Installing the product

1. Remove burners, burner caps and grills on the hob from the product.
2. Turning the hob upside down, place it on a flat surface.
3. In order to avoid the foreign substances and liquids penetrate between the hob and the counter, please apply the putty supplied in the package on the contours of the lower housing of the hob but make sure that the putty does not overlap.
4. Fill the corners by forming bends at the corners as illustrated in the figure. Form as much bend as required to fill the gap in the corners.



i Make sure that the skirting sections on the lower housing of the hob are filled with putty.

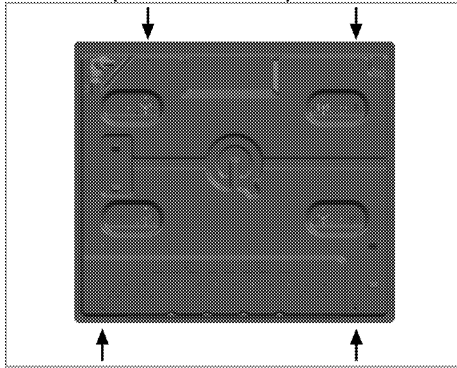
5. Turning the hob again, align and place it on the counter.
6. You can secure your hob to the counter by using the clamp and the screws supplied.



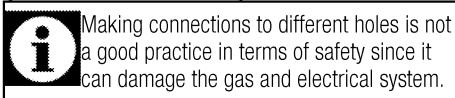
* min. 20 & max. 40 mm

- 1 Hob
- 2 Screw
- 3 Installation clamp
- 4 Counter
- 5 Putty

Rear view (connection holes)



Place the burner plates, burner plate caps and grills back to their seating after installation.



Making connections to different holes is not a good practice in terms of safety since it can damage the gas and electrical system.

Final check

1. Open gas supply.
2. Check gas installations for secure fitting and tightness.
3. Ignite burners and check appearance of the flame.



The flames should be blue and burn smoothly. If the flames appear yellowish, check secure position of the burner cap or clean the burner. Switch off gas and let burner cool before touching it.

Gas conversion



DANGER

Risk of explosion!

Before starting any work on the gas installation, please shut off the gas supply.

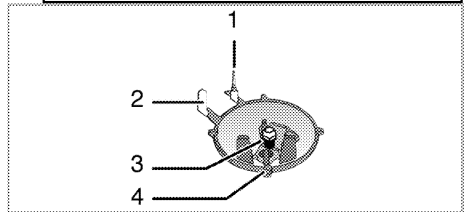
In order to change your appliance's gas type, change all injectors and make flame adjustment for all valves at reduced flow rate position.

Exchange of injector for the burners

1. Take off burner cap and burner body.
2. Unscrew injectors by turning the counter-clockwise.
3. Fit new injectors.
4. Check all connections for secure fitting and tightness.



New injectors have their position marked on their packing or injector table on *Injector table*, page 5 can be referred to.



- 1 Flame failure device (model dependant)
- 2 Spark plug
- 3 Injector
- 4 Burner

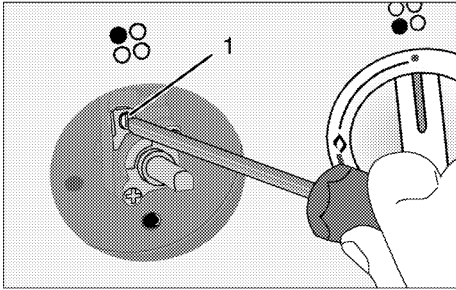


Unless there is an abnormal condition, do not attempt to remove the gas burner taps. You must call an Authorised service agent if it is necessary to change the taps.

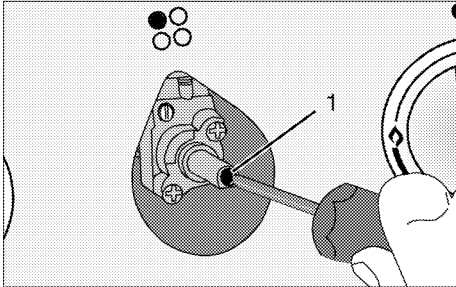
Reduced gas flow rate setting for hob taps

1. Ignite the burner that is to be adjusted and turn the knob to the reduced position.
 2. Remove the knob from the gas tap.
 3. Use an appropriately sized screwdriver to adjust the flow rate adjustment screw.
- For LPG (Butane - Propane) turn the screw clockwise. For the natural gas, you should turn the screw **counter-clockwise** once.
- » The normal length of a straight flame in the reduced position should be 6-7 mm.
4. If the flame is higher than the desired position, turn the screw clockwise. If it is smaller turn anticlockwise.
 5. For the last control, bring the burner both to high-flame and reduced positions and check whether the flame is on or off.

Depending on the type of gas tap used in your appliance the adjustment screw position may vary.



1 Flow rate adjustment screw



1 Flow rate adjustment screw

i If the gas type of the unit is changed, then the rating plate that shows the gas type of the unit must also be changed.

Disposal

Package information

- Packaging materials of the product are manufactured from recyclable materials in accordance with our National Environment Regulations. Do not dispose of the packaging materials together with the domestic or other wastes. Take them to the

packaging material collection points designated by the local authorities.

Future Transportation

- Keep the product's original carton and transport the product in it. Follow the instructions on the carton. If you do not have the original carton, pack the product in bubble wrap or thick cardboard and tape it securely.
- Secure the caps and pan supports with adhesive tape.

i Check the general appearance of your product for any damages that might have occurred during transportation.

Disposing of the old product



Dispose of the old product in an environmentally friendly manner.

This equipment bears the selective sorting symbol for waste electrical and electronic equipment (WEEE). This means that this equipment must be handled pursuant to European Directive 2002/96/EC in order to be recycled or dismantled to minimize its impact on the environment. For further information, please contact local or regional authorities.

Refer to your local dealer or solid waste collection centre in your area to learn how to dispose of your product.

Before disposing of the product, cut off the power cable plug and make the door lock (if any) unusable to avoid dangerous conditions to children.

4 Preparation

Tips for saving energy

The following information will help you to use your appliance in an ecological way, and to save energy:

- Defrost frozen dishes before cooking them.
- Use pots/pans with cover for cooking. If there is no cover, energy consumption may increase 4 times.
- Select the burner which is suitable for the bottom size of the pot to be used. Always select the correct pot size for your dishes. Larger pots require more energy.

Initial use

First cleaning of the appliance



The surface may get damaged by some detergents or cleaning materials.

Do not use aggressive detergents, cleaning powder/cream or any sharp objects.

1. Remove all packaging materials.
2. Wipe the surfaces of the appliance with a damp cloth or sponge and dry with a cloth.

5 How to use the hob

General information about cooking



DANGER

Risk of fire by overheated oil!
When you heat oil, do not leave it unattended.

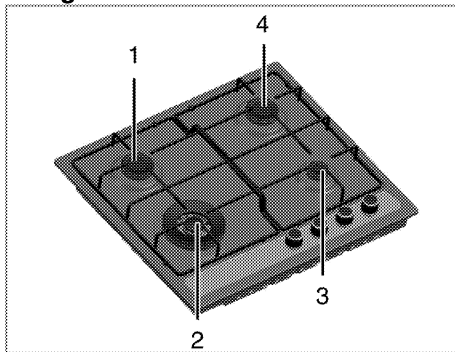
Never try to extinguish the fire with water! When oil has caught fire, immediately cover the pot or pan with a lid. Switch off the hob if safe to do so and phone the fire service.

- Before frying foods, always dry them well and gently place into the hot oil. Ensure complete thawing of frozen foods before frying.
- Do not cover the vessel you use when heating oil.
- Place the pans and saucepans in a manner so that their handles are not over the hob to prevent heating of the handles. Do not place unbalanced and easily tilting vessels on the hob.
- Do not place empty vessels and saucepans on cooking zones that are switched on. They might get damaged.
- Operating a cooking zone without a vessel or saucepan on it will cause damage to the product. Turn off the cooking zones after the cooking is complete.
- As the surface of the product can be hot, do not put plastic and aluminum vessels on it. Such vessels should not be used to keep foods either.
- Use flat bottomed saucepans or vessels only.
- Put appropriate amount of food in saucepans and pans. Thus, you will not have to make any unnecessary cleaning by preventing the dishes from overflowing. Do not put covers of saucepans or pans on cooking zones.
Place the saucepans in a manner so that they are centered on the cooking zone.
When you want to move the saucepan onto another cooking zone, lift and place it onto the cooking zone you want instead of sliding it.

Gas cooking

- Size of the vessel and the flame must match each other. Adjust the gas flames so that they will not extend the bottom of the vessel and center the vessel on saucepan carrier.

Using the hobs



- 1 Normal burner 14-20 cm
- 2 Wok burner 22-30 cm
- 3 Auxiliary burner 12-18 cm
- 4 Normal burner 14-20 cm is list of advised diameter of pots to be used on related burners.

Large flame symbol indicates the highest cooking power and small flame symbol indicates the lowest cooking symbol. In turned off position (top), gas is not supplied to the burners.

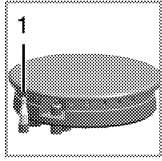
Igniting the gas burners

1. Keep burner knob pressed.
2. Turn it counter clockwise to large flame symbol.
» Gas is ignited with the spark created.
3. Adjust it to the desired cooking power.

Turning off the gas burners

Turn the keep warm zone knob to off (upper) position.

Gas shut off safety system (in models with thermic component)



1. Gas shut off safety

As a counter measure against blow out due to fluid overflows at burners, safety mechanism trips and shuts off the gas.

- Push the knob inwards and turn it counter clockwise to ignite.
- After the gas ignites, keep the knob pressed for 3-5 seconds more to engage the safety system.
- If the gas does not ignite after you press and release the knob, repeat the same procedure by keeping the knob pressed for 15 seconds.



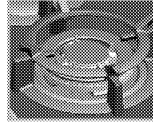
DANGER

Risk of deflagration incase of unburned gas!

Do not press the knob for longer than 15 seconds if there was no ignition.

Wait for one minute and then repeat the ignition process.

Wok burner



Wok burners help you to cook faster. Wok, which is particularly used in Asian kitchen is a kind of deep and flat fry-pan made of sheet metal, which is used to cook minced vegetable and meat at strong flame in a short time.

Since meals are cooked at strong flame and in a very short time in such fry-pans that conduct the heat rapidly and evenly, the nutrition value of the food is preserved and vegetables remain crispy. You can use wok burner for regular saucepans as well.

6 Maintenance and care

General information

Service life of the product will extend and the possibility of problems will decrease if the product is cleaned at regular intervals.



DANGER

Risk of electric shock!
Switch off the electricity before cleaning appliance to avoid an electric shock.



DANGER

Hot surfaces may cause burns!
Allow the appliance to cool down before you clean it.

- Clean the product thoroughly after each use. In this way it will be possible to remove cooking residues more easily, thus avoiding these from burning the next time the appliance is used.
- No special cleaning agents are required for cleaning the product. Use warm water with washing liquid, a soft cloth or sponge to clean the product and wipe it with a dry cloth.
- Always ensure any excess liquid is thoroughly wiped off after cleaning and any spillage is immediately wiped dry.
- Do not use cleaning agents that contain acid or chloride to clean the stainless or inox surfaces and the handle. Use a soft cloth with a liquid detergent (not abrasive) to wipe those parts clean, paying attention to sweep in one direction.



The surface may get damaged by some detergents or cleaning materials.
Do not use aggressive detergents, cleaning powder/cream or any sharp objects.



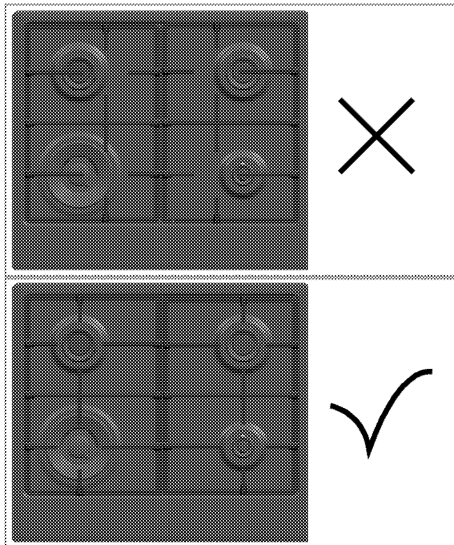
Do not use steam cleaners for cleaning.

Cleaning the hob

Gas hobs

1. Remove and clean the saucepan carriers and burner caps.
2. Clean the hob.

3. Install the burner caps and make sure that they are seated correctly.
4. When installing the upper grills, pay attention to place the saucepan carriers so that the burners are centered.

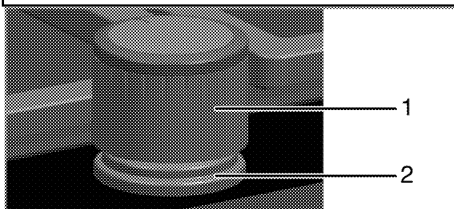


Cleaning the control panel

Clean the control panel and knobs with a damp cloth and wipe them dry.



Damage of the control panel!
Do not remove the control knobs for control panel cleaning.



- 1 Knob
- 2 Sealing element



Do not remove the sealing elements under the knobs for cleaning.

7 Troubleshooting

There is no gas.

Main gas valve is closed.

Open gas valve.

Gas pipe is bent.

Install gas pipe properly.

There is no ignition spark.

No current.

Check fuses in the fuse box.

Burners are not burning properly or at all.

Burners are dirty.

Clean burner components.

Burners are wet.

Dry the burner components.

Burner cap is not mounted safely.

Mount the burner cap properly.

Gas valve is closed.

Open gas valve.

Gas cylinder is empty (when using LPG).

Replace gas cylinder.



Consult the Authorised Service Agent or the dealer where you have purchased the product if you can not remedy the trouble although you have implemented the instructions in this section. Never attempt to repair a defective product yourself.

Citiți acest manual mai întâi.

Stimate Client,

Ne dorim să vă bucurați pe deplin de acest produs, care a fost fabricat în unități moderne și a trecut prin proceduri riguroase de control al calității.

Vă sfătuim așadar să citiți în întregime acest manual de utilizare înainte de a folosi produsul și să îl păstrați pentru consultarea ulterioară. Dacă transmiteți produsul unei alte persoane, înmânați-le și acest manual.

Manualul de utilizare vă va ajuta să folosiți produsul într-o manieră sigură și eficientă.

- Citiți manualul de utilizare înainte de a instala și porni produsul.
- Respectați întocmai instrucțiunile privind siguranța.
- Păstrați acest manual de utilizare la îndemână pentru a-l putea consulta ulterior.
- Citiți și celelalte documente furnizate împreună cu produsul.
Rețineți că acest manual de utilizare poate fi valabil și pentru alte câteva modele. Diferențele între modele sunt explicate detaliat în manual.

Interpretarea simbolurilor

În cadrul acestui manual de utilizare sunt folosite următoarele simboluri:



Informații importante sau recomandări privind utilizarea.



Avertisment privind pericolul de moarte și de pagube materiale.



Avertisment privind pericolul de șoc electric.



Avertisment privind pericolul de incendiu.



Avertisment privind suprafețele fierbinți.



Arçelik A.Ş.
Karaağaç caddesi No:2-6
34445 Sütlüce/İstanbul/TURKEY
Made in TURKEY

1 Informații generale 4

Prezentare generală	4
Specificații tehnice	5
Accessories	5
Tabelul injectoarelor	5

2 Instrucțiuni importante privind siguranța 6

Informații generale privind siguranța	6
Siguranța la lucrul cu gazul	6
Domeniu de utilizare	7
Siguranța copiilor	7

3 Instalare 8

Înainte de instalare	8
Instalarea și conectarea	9
Adaptarea la tipul de gaz folosit	11
Depozitare la deșeuri	12
Depozitarea la deșeuri a materialelor de ambalare	12
Transportul ulterior	12

Depozitarea la deșeuri a produsului vechi 12

4 Pregătiri 13

Sfaturi pentru economisirea energiei	13
Prima utilizare	13
Curățarea inițială a aparatului	13

5 Utilizarea plitei 14

Informații generale despre prepararea alimentelor	14
Utilizarea plitelor	14

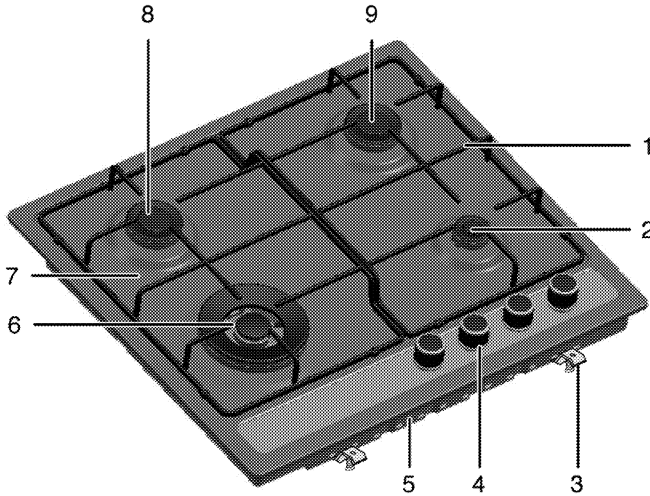
6 Întreținere și curățare 16

Informații generale	16
Curățarea plitei	16
Curățarea panoului de control	16

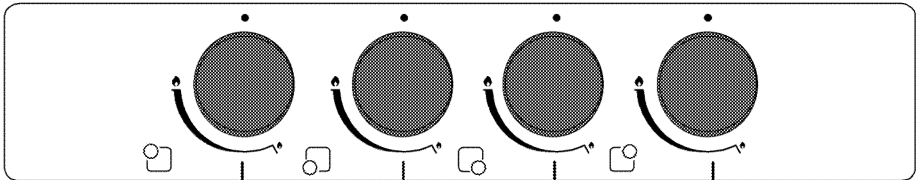
7 Remedierea problemelor 17

1 Informații generale

Prezentare generală



- | | | | |
|---|-------------------|---|--------------------|
| 1 | Suport recipiente | 6 | Arzător pentru wok |
| 2 | Arzător auxiliar | 7 | Placă arzător |
| 3 | Clemă asamblare | 8 | Arzător normal |
| 4 | Panou de comandă | 9 | Arzător normal |
| 5 | Capac bază | | |



- | | | | |
|---|--------------------------------|---|-------------------------------|
| 1 | Arzător normal Stânga spate | 3 | Arzător auxiliar Dreapta față |
| 2 | Arzător pentru wok Stânga față | 4 | Arzător normal Dreapta spate |

Specificații tehnice

Tensiune/frecvență	220-240 V ~ 50 Hz
Tip cablu / secțiune	H05RR-FG 3 x 0,75 mm ²
Lungime cablu	max. 2 m
Categorie produs gaz	Cat II 2H3B/P
Tip/presiune gaz	NG G 20/20 mbar
Consum total de gaz	7.8 kW
Conversie tip/presiune gaz ^s – opțional	LPG G 30/30 mbar
Dimensiuni exterioare (înălțime/lățime/adâncime)	99 mm/580 mm/510 mm
Dimensiuni instalare (lățime/adâncime)	560 mm/480-490 mm
Arzătoare	
Stânga spate	Arzător normal
Putere	1750 W
Stânga față	Arzător pentru wok
Putere	3300 W
Dreapta față	Arzător auxiliar
Putere	1000 W
Dreapta spate	Arzător normal
Putere	1750 W



Specificațiile tehnice se pot modifica fără preaviz în scopul îmbunătățirii calității produsului.



Ilustrațiile din acest manual ar doar rol explicativ, fiind posibil să nu fie identice cu produsul dv.



Valorile declarate pe etichetele produsului sau în documentația însoțitoare sunt obținute în condiții de laborator, conform standardelor în vigoare. Aceste valori pot varia în funcție de condițiile de utilizare și de mediu.

Accessories



Accesoriile furnizate pot varia în funcție de modelul produsului. Este posibil ca unele accesorii descrise în manualul de utilizare să nu fie furnizate cu produsul dvs.

Adaptor pentru ibric



Folosit pentru ibrice.

Tabelul injectoarelor

Poziție zonă plită	1750 W	3300 W	1000 W	1750 W
Tip gaz / Presiune gaz	Stânga spate	Stânga față	Dreapta față	Dreapta spate
G 20/20 mbar	97	132	78	97
G 30/28-30 mbar	66	92	50	66

2 Instrucțiuni importante privind siguranța

Această secțiune conține instrucțiuni privind siguranța care vă vor ajuta să preveniți vătămările corporale și pagubele materiale. Toate garanțiile se vor anula în cazul nerespectării acestor instrucțiuni.

Informații generale privind siguranța

- Acest produs nu este destinat utilizării de către persoane cu deficiențe fizice, senzoriale sau mentale, de către persoane neinstruite sau fără experiență (inclusiv copiii), cu excepția cazului în care sunt supravegheate sau instruite adecvat de către persoana responsabilă pentru siguranța lor. Copiii trebuie supravegheați pentru a nu se juca cu aparatul.
- Conectați produsul la o priză împământată protejată de o siguranță de capacitate adecvată, conform datelor din tabelul "Specificatii tehnice". Împământarea trebuie efectuată de un electrician calificat la folosirea produsului cu sau fără transformator. Compania noastră nu își asumă răspunderea pentru daunele survenite în urma folosirii produsului fără o instalație de împământare în conformitate cu normele locale.
- În cazul deteriorării cablului de alimentare, acesta trebuie înlocuit de producător, de agentul său de service sau de o persoană cu calificări similare pentru a evita pericolele.
- Nu folosiți produsul dacă este defect sau are deteriorări vizibile.
- Nu efectuați reparații sau modificări ale produsului. Puteți însă să remediați anumite probleme care nu necesită reparații sau modificări. Vezi *Remediarea problemelor*, pagina 17.
- Nu spălați produsul cu apă! Pericol de șoc electric!
- Nu folosiți produsul când abilitățile mentale sau de coordonare sunt afectate de alcool și / sau medicamente.
- Produsul trebuie deconectat de la rețeaua de electricitate în timpul instalării, întreținerii, curățării și reparațiilor.

- Aveți grijă când preparați rețete care includ băuturi alcoolice. Alcoolul se evaporă la temperaturi mari și poate provoca incendii deoarece se va aprinde în contact cu suprafețele fierbinți.
- Nu încălziți cutii și borcane închise în cuptor. Presiunea acumulată în borcan poate provoca explozia acestuia.
- Nu lăsați materiale inflamabile lângă produs, deoarece părțile laterale ale acestuia se încălzesc în timpul utilizării.
- Asigurați-vă că orificiile de ventilare nu sunt înfundate.
- Asigurați-vă că opriți produsul după fiecare utilizare.

Siguranța la lucrul cu gazul

- Lucrările la echipamentele și rețelele de gaz pot fi efectuate numai de persoane calificate autorizate.
- "Înainte de instalare, asigurați-vă că aparatul este reglat pentru parametrii rețelei locale de gaz (tipul și presiunea gazului)."
- "Acest aparat nu este conectat la un sistem de evacuare a gazelor arse. Aparatul trebuie instalat și conectat conform reglementărilor în vigoare. Se va acorda o atenție deosebită reglementărilor în vigoare privind ventilația;" vezi *Înainte de instalare*, pagina 8
- "ATENȚIE: Utilizarea unei mașini de gătit cu gaz produce căldură, umiditate și gaze de combustie" în încăperea în care este instalată. Asigurați-vă că bucătăria este bine ventilată în special când folosiți aparatul": mențineți orificiile de ventilare naturală deschise, sau instalați un dispozitiv de ventilație mecanică (hotă). Utilizarea prelungită și intensivă a aparatului poate necesita ventilație suplimentară, de exemplu prin sporirea turăției ventilatorului hoteli."
- Echipamentele și rețelele de gaz trebuie verificate periodic pentru a asigura funcționarea corectă a acestora. Regulatorul, furtunul și colierul acestuia trebuie verificate periodic și înlocuite la perioadele recoman-

date de producătorul acestora sau când este necesar.

- Curățați regulat arzătoarele. Flacăra trebuie să fie albastră și uniformă.
- Aparatele cu gaz necesită o combustie corectă. În cazul unei combustii incomplete, este posibil să se genereze monoxid de carbon (CO). Monoxidul de carbon este un gaz incolor, inodor și foarte toxic, ce poate produce moartea chiar și în doze foarte mici.
- Solicitați de la compania distribuitoare de gaze informații cu privire la numerele de urgență și măsurile de siguranță ce trebuie luate la detectarea mirosului de gaz.

Măsuri de luat la detectarea mirosului de gaz

	PERICOL Pericol de explozie și intoxicație! Nu folosiți flăcări deschise și nu fumați. Nu acționați întrerupătoare electrice (de ex. întrerupătoare pentru becuri, soneria). Nu folosiți telefoane fixe sau mobile.
--	--

1. Închideți toate robinetele aparatelor cu gaz și gazometrelor.
2. Deschideți ușile și ferestrele.
3. Verificați strângerea tuturor tuburilor și conexiunilor. Dacă simțiți în continuare miros de gaz, părăsiți locuința.
4. Avertizați vecinii.

5. Chemați pompierii. Folosiți un telefon din afara locuinței.
6. Nu reveniți în casă decât după ce vi se confirmă că nu există pericole.

Domeniu de utilizare

Acest produs este destinat uzului casnic. Se interzice utilizarea comercială.

"ATENȚIE: Acest aparat este destinat numai gătitului alimentelor. Nu trebuie folosit pentru alte scopuri, de exemplu pentru încălzirea încăperilor."

Producătorul nu este responsabil pentru pagubele provocate de utilizarea sau manipularea incorectă.

Siguranța copiilor

- Produsele electrice și pe gaz sunt periculoase pentru copii. Nu lăsați copiii să se apropie de produs în timp ce funcționează și nu îi lăsați să se joace cu acesta.
- Piese accesibile ale aparatului se înfierbântă în timpul utilizării acestuia; nu lăsați copiii să se apropie până când aparatul se răcește.
- Nu depozitați pe aparat obiecte pe care copiii ar fi tentați să le ia.
- Ambalajele pot fi periculoase pentru copii. Nu lăsați ambalajele la îndemâna copiilor. Depozitați la deșeurile toate ambalajele conform standardelor de mediu.

3 Instalare

Produsul trebuie instalat de o persoană calificată, conform reglementărilor în vigoare. În caz contrar, garanția va fi anulată. Producătorul nu își asumă răspunderea pentru daunele produse în urma efectuării procedurilor de către persoane neautorizate și poate anula garanția.



Pregătirea instalațiilor electrice și de gaz în vederea instalării produsului constituie responsabilitatea clientului.



PERICOL

Produsul trebuie instalat în conformitate cu toate reglementările locale privind instalațiile de gaz și / sau electricitate.



PERICOL

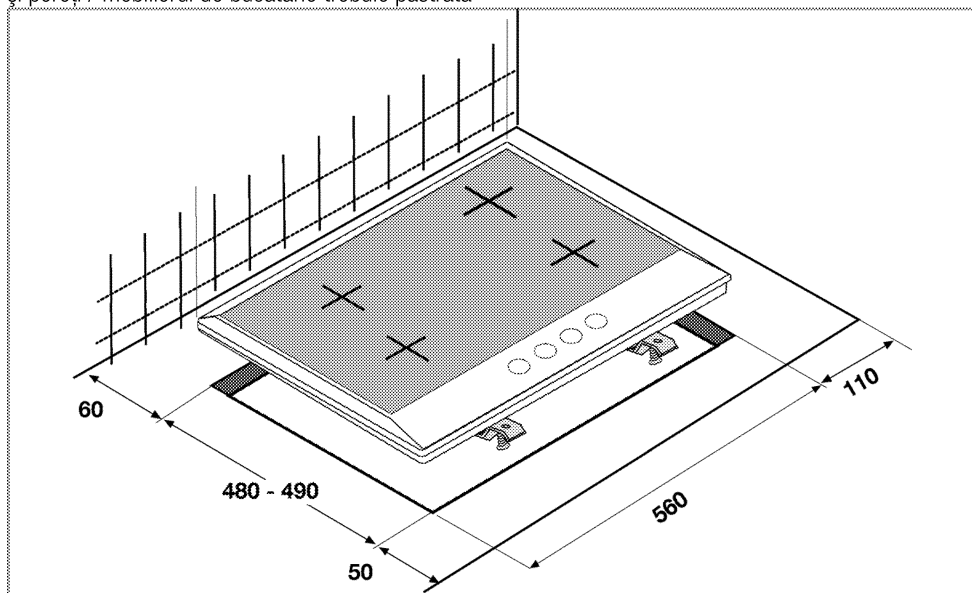
Înainte de instalare, verificați vizual dacă produsul nu este deteriorat. Dacă este deteriorat, nu îl instalați. Produsele deteriorate sunt periculoase.

Înainte de instalare

Plita este concepută pentru instalarea în mobilierul de bucătărie disponibil în comerț. Între aparat și pereți / mobilierul de bucătărie trebuie păstrată

o distanță de siguranță. Vezi figura (valori date în mm).

- Aparatul poate fi instalat și fără obiecte de mobilier în jur. Lăsați o distanță de minim 750 mm deasupra suprafeței plitei.
- (*) Dacă urmează să montați o hotă deasupra mașinii de gătit, citiți instrucțiunile producătorului hotei cu privire la înălțimea de montare (min. 650 mm)
- Îndepărtați ambalajele și elementele de fixare pentru transport.
- Suprafețele, elementele laminate și adezivii utilizați trebuie să fie rezistenți la căldură (minim 100 °C).
- Blatul trebuie să fie aliniat și fixat în poziție orizontală.
- Tăiați în blat orificiul necesar pentru plită, conform dimensiunilor de instalare.



Ventilarea camerei

Încăperea trebuie să aibă o fereastră care se poate deschide; unele încăperi pot necesita și ventilarea permanentă.

Aerul din încăperea este folosit pentru alimentarea arderii, iar gazele rezultate în urma arderii sunt emise direct în încăperea.

Ventilarea corectă a camerei este esențială pentru utilizarea în siguranță a aparatului. Dacă nu există ferestre sau uși pentru ventilarea camerei, trebuie să creați un orificiu de ventilare. Aparatul poate fi instalat într-o bucatărie, bucatărie-sufragerie sau dormitor-sufragerie, însă nu poate fi instalat într-o încăperea în care se află o cadă sau un duș. Aparatul nu poate fi instalat într-un dormitor-sufragerie mai mic de 20m³.

Nu instalați acest aparat într-o încăperea subterană, cu excepția cazului în care are cel puțin un perete cu deschidere deasupra nivelului solului.


Dimensiunea încăperii	Orificiu de ventilare
sub 5 m ³	min. 100 cm ²
5 m ³ - 10 m ³	min. 50 cm ²
peste 10 m ³ /den	nu este necesar
La subsol / demisol	min. 65 cm ²

Instalarea și conectarea


- Produsul trebuie instalat în conformitate cu toate reglementările locale privind instalațiile de gaz și electrice.

Racordul electric

Conectați produsul la o priză împământată protejată de o siguranță de capacitate adecvată, conform datelor din tabelul "Specificații tehnice". Împământarea trebuie efectuată de un electrician calificat la folosirea produsului cu sau fără transformator. Compania noastră nu își asumă răspunderea pentru daunele survenite în urma folosirii produsului fără o instalație de împământare în conformitate cu normele locale.



PERICOL
Pericol de șoc electric, scurtcircuit sau incendiu în cazul instalării de către persoane necalificate!
Aparatul poate fi conectat la rețeaua electrică numai de o persoană calificată autorizată; garanția este valabilă numai în cazul instalării corecte.



PERICOL
Pericol de șoc electric, scurtcircuit sau incendiu în cazul deteriorării cablului de alimentare!
Cablul nu trebuie presat, îndoit, strivit sau atins de piesele fierbinți ale aparatului.
În cazul în care cablul de alimentare este deteriorat, trebuie înlocuit de un electrician calificat.

- Racordurile trebuie să respecte reglementările naționale.
- Parametrii rețelei electrice trebuie să corespundă parametrilor specificați pe eticheta cu tipul produsului. Plăcuța de identificare este amplasată în spatele produsului.
- Cablul de alimentare al produsului trebuie să respecte valorile din tabelul "Specificații tehnice".



PERICOL
Pericol de șoc electric!
Înainte de a efectua lucrări la instalația electrică, deconectați produsul de la priză.

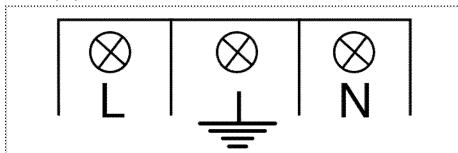
Conectarea cablului de alimentare

1. **Dacă produsul nu a fost furnizat cu un cablu**, conectați la acesta un cablu de alimentare selectat din tabel conform instalației electrice din locuința dvs.

Acest produs trebuie conectat numai de un electrician calificat, de ex. de firma locală de electricitate sau de un contractant autorizat, la o unitate de control corespunzătoare cu doi poli, cu un spațiu minim de separare de 3 mm la toți polii. Această unitate de control trebuie instalată conform reglementărilor IEE. Nerespectarea acestor instrucțiuni poate provoca funcționarea defectuoasă și anularea garanției produsului.

i Se recomandă ca măsură de protecție suplimentară utilizarea unui întrerupător de curent rezidual.

2. Deschideți cu șurubelnița capacul cutiei cu borne.
3. Introduceți cablul de alimentare prin clema pentru cablu de sub bornă și fixați-l cu șurubul clemei.
4. Conectați cablurile conform diagramei furnizate.



5. După legarea firelor, închideți capacul cutiei cu borne.
6. Trasați cablul de alimentare astfel încât să nu atingă produsul și să nu fie strivit între produs și perete.

i Din motive de siguranță, cablul de alimentare nu poate depăși 2 metri lungime.

Racordarea la gaz



PERICOL

Pericol de explozie sau intoxicație în cazul instalării efectuate de persoane necalificate.

Aparatul poate fi conectat la rețeaua de distribuție a gazului numai de o persoană calificată și autorizată.



PERICOL

Pericol de explozie!

Înainte de a începe lucrările la instalația de gaz, opriți alimentarea cu gaz.

- Condițiile și valorile de reglare a gazului sunt indicate pe etichete.



Mașina dvs. de gătit este reglată pentru gaze naturale.

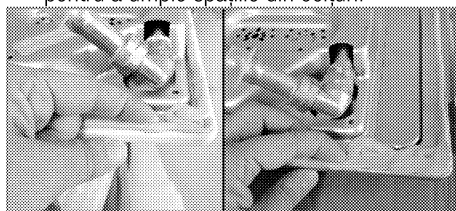
- Instalația de gaze naturale trebuie pregătită înainte de instalarea aparatului.
- Instalația de gaze naturale trebuie să se termine cu o conductă flexibilă astupată.

Reprezentatul de service va demonta dopul în timpul racordării și va conecta produsul folosind un racord drept.

- Asigurați-vă că robinetul conductei de gaze naturale este ușor accesibil.
- Pentru a utiliza ulterior produsul cu alt tip de gaz, apălați la un agent de service autorizat pentru efectuarea conversiei.

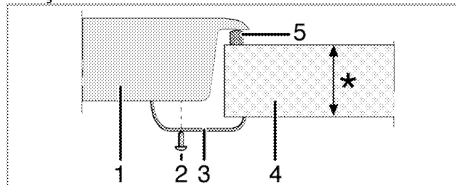
Instalarea produselor

1. Demontați arzătoarele, capacele arzătoarelor și grilajele plitei.
2. Răsturnați plita și așezați-o pe o suprafață plană.
3. Pentru a evita intrarea substanțelor și lichidelor între plită și blat, aplicați înainte de instalare masticul furnizat în pachet pe conturul orificiului din blat, având grijă ca masticul să nu se suprapună.
4. Umpleți colțurile formând îndoituri la colțuri conform figurii. Formați suficiente îndoituri pentru a umple spațiile din colțuri.



Asigurați-vă că zonele de sub marginile carcasei inferioare a plitei sunt umplute cu mastic.

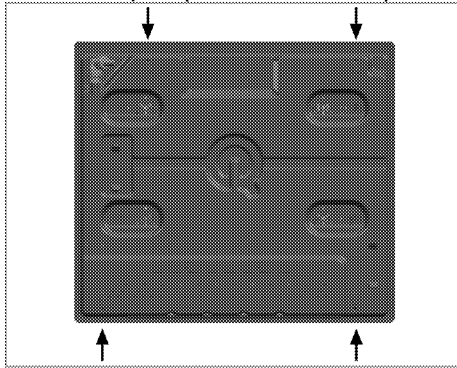
5. Răsturnați plita în poziția inițială, aliniați-o și așezați-o pe blat.
6. Puteți fixa plita pe blat folosind clema și șuruburile furnizate.



* min. 20 și max. 40 mm

- 1 Plită
- 2 Șurub
- 3 Clemă de instalare
- 4 Blat
- 5 Mastic

Vedere din spate (orificii de racordare)



După instalare montați plăcile arzătoarelor, capacele arzătoarelor și grilajele.



Conectarea prin alte orificii poate fi periculoasă datorită riscului de deteriorare a sistemului de alimentare cu gaz și electricitate.

Verificarea finală

1. Deschideți alimentarea cu gaz.
2. Verificați fixarea și strângerea corectă a instalației de gaz.
3. Aprindeți arzătoarele și verificați aspectul flăcării.



Flacăra trebuie să fie albastră și uniformă. Dacă flacăra are tente gălbui, verificați poziția capacului arzătorului sau curățați arzătorul.

Adaptarea la tipul de gaz folosit



PERICOL

Pericol de explozie!

Înainte de a începe lucrările la instalația de gaz, opriți alimentarea cu gaz.

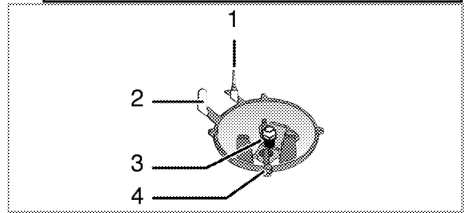
Pentru a modifica tipul de gaz folosit, schimbați toate injectoarele și reglați toate robinetele în poziția de debit redus.

Schimbarea injectoarelor arzătoarelor

1. Scoateți capacul și corpul arzătorului.
2. Deșurubați injectoarele rotindu-le în sens anti orar.
3. Montați injectoarele noi.
4. Verificați fixarea și strângerea corectă a tuturor conexiunilor.



Poziția injectoarelor noi este marcată pe ambalaj sau în tabelul de la *Tabelul injectoarelor, pagina 5*.



1. Dispozitiv de supraveghere a flăcării (în funcție de model)
2. Aprindere electrică
3. Injector
4. Arzător



Cu excepția unor situații speciale, nu încercați să demontați robinetele arzătoarelor. Schimbarea robinetelor poate fi efectuată numai de personal de service autorizat.

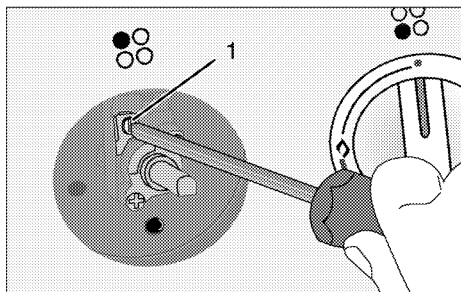
Reglaj debit gaz redus pentru robinetele plitei

1. Aprindeți arzătorul care trebuie reglat și rotiți butonul la putere minimă.
2. Demontați butonul de pe robinet.
3. Folosiți o șurubelniță de dimensiuni adecvate pentru a acționa șurubul de reglare a debitului.

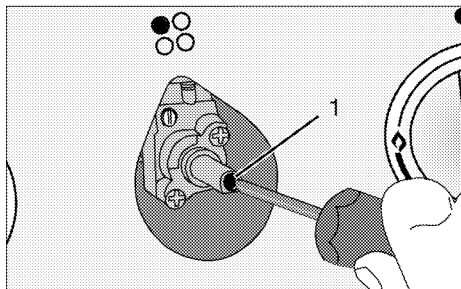
În cazul GPL (butan - propan) rotiți șurubul în sensul acelor de ceasornic. În cazul gazului natural, rotiți o singură dată șurubul **în sens contrar acelor de ceasornic**.

» Înălțimea normală a unei flăcări drepte în poziția flăcără mică trebuie să fie de 6-7 mm.

4. Dacă flacăra este mai înaltă, rotiți șurubul în sensul acelor de ceasornic. Dacă este mai mică, rotiți în sens invers acelor de ceasornic.
5. Ca verificare finală, rotiți robinetul în poziția flăcără mare și flăcără mică și verificați dacă flacăra nu se stinge.
6. În funcție de tipul robinetului de gaz al aparatului dumneavoastră, poziția șurubului de reglare poate varia.



1 Șurub de reglare a debitului



1 Șurub de reglare a debitului

i Dacă ați schimbat tipul gazului, trebuie să schimbați și plăcuța de identificare care indică tipul gazului folosit de aparat.

Depozitare la deșeuri

Depozitarea la deșeuri a materialelor de ambalare

- Materialele de ambalare sunt periculoase pentru copii. Păstrați materialele de ambalare într-un loc sigur, la care copiii nu au acces. Materialele de ambalare ale produsului sunt fabricate din materiale reciclabile. Sortați-le și depozitați-le la deșeuri în mod co-

rect. Nu le depozitați împreună cu gunoiul menajer.

Transportul ulterior

- Păstrați cutia originală a produsului și transportați-l în aceasta. Respectați instrucțiunile de pe cutie. Dacă nu aveți cutia originală, ambalați produsul în folie cu bule sau în carton gros și lipiți-l cu bandă adezivă.
- Asigurați capacele arzătoarelor și suporturile pentru recipiente cu bandă adezivă.

i Verificați aspectul general al produsului pentru a determina dacă nu a fost deteriorat în timpul transportului.

Depozitarea la deșeuri a produsului vechi



Depozitați la deșeuri produsul vechi conform normelor de protecție a mediului.

Acest produs este inscripționat cu simbolul de colectare selectivă a deșeurilor electrice și electronice (WEEE). Acesta indică faptul că echipamentul trebuie depozitat la deșeuri conform Directivei europene 2002/96/EC pentru a fi reciclat sau dezasamblat, în scopul minimizării impactului asupra mediului. Pentru informații suplimentare, contactați autoritățile locale sau regionale.

Consultați magazinul sau centrul de colectare a deșeurilor din zona dv. pentru a afla detalii despre depozitarea la deșeuri a produsului.

Înainte de a depozita la deșeuri produsul, tăiați cablul de alimentare și dezactivați blocajul ușii (dacă există) pentru ca aparatul să nu prezinte pericol pentru copii.

4 Pregătiri

Sfaturi pentru economisirea energiei

Următoarele informații vă vor ajuta să protejați mediul înconjurător și să economisiți energie:

- Decongelați alimentele congelate înainte de a le găti.
- Folosiți recipiente cu capac pentru prepararea mâncărurilor. În lipsa capacului, consumul de energie poate crește de 4 ori.
- Selectați arzătorul în funcție de dimensiunea bazei recipientului utilizat. Alegeți recipiente de dimensiune adaptată la mâncarea preparată. Recipientele mari necesită mai multă energie.

Prima utilizare

Curățarea inițială a aparatului



Suprafața poate fi deteriorată de unii detergenți sau materiale de curățare.

Nu folosiți obiecte ascuțite, detergenți, prafuri sau substanțe de curățare agresive.

1. Îndepărtați toate ambalajele.
2. Ștergeți suprafețele aparatului cu o cârpă umedă sau cu un burete umed, apoi uscați-le cu o cârpă.

5 Utilizarea plitei

Informații generale despre prepararea alimentelor



PERICOL

Pericol de incendiu datorită uleiului supraîncălzit!

Nu lăsați uleiul nesupravegheat pe plită.

Nu încercați să stingeți incendiul cu apă!

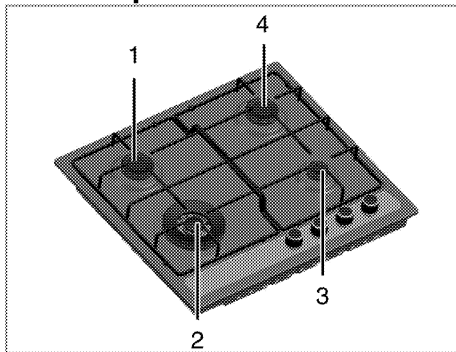
Dacă uleiul s-a aprins, acoperiți imediat oala sau tigăia cu un capac. Opriți plita dacă este posibil și telefonați la pompieri.

- Uscați alimentele pe care urmează să le prăjiți înainte de a le așeza în uleiul încălzit. Dezghețați complet alimentele înainte de a le prăji.
- Nu acoperiți vasul în care încălziți uleiul.
- Așezați cratițele și tigăile astfel ca mânerele acestora să nu fie deasupra plitei, pentru a evita înfierbântarea acestora. Nu așezați pe plită recipiente instabile, care se pot răsturna ușor.
- Nu puneți pe zonele de gătit pornite ale plitei recipiente și tigăi goale. Acestea se pot deteriora.
- Produsul se va deteriora dacă porniți zonele pentru gătit fără a așeza pe ele recipiente. Opriți zonele de gătit după ce ați terminat de gătit.
- Nu așezați recipiente de plastic sau aluminiu pe suprafața plitei, aceasta poate fi fierbinte.
Nu folosiți astfel de recipiente pentru păstrarea alimentelor.
- Folosiți numai recipiente cu fundul plat.
- Puneți cantități adecvate de alimente în recipientele pentru gătit. Astfel preveniți vărsarea acestora și nevoia de a curăța plita. Nu așezați capacele recipientelor de gătit pe zonele de gătit.
Așezați recipientele în centrul zonelor de gătit. Mutați recipientele de pe o zonă de gătit pe alta ridicându-le; nu le trageți pe suprafața plitei.

Gătutul cu gaz

- Dimensiunea recipientului și a flăcării trebuie să fie similare. Potrivii flacăra încât să nu depășească baza recipientului și centrați recipientul pe suport.

Utilizarea plitelor



- 1 Arzător normal 14-20 cm
- 2 Arzător pentru wok 22-30 cm
- 3 Arzător auxiliar 12-18 cm
- 4 Arzător normal 14-20 cm reprezintă diametrul recomandat al recipientelor amplasate pe arzătoarele respective.

Simbolul cu flacăra mare indică puterea maximă de gătit, iar cel cu flacăra mică indică puterea minimă. În poziția oprit (sus), arzătoarele nu sunt alimentate cu gaz.

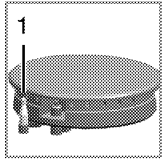
Aprinderea arzătoarelor pe gaz

1. Țineți butonul arzătorului apăsat.
 2. Rotiți-l în sens anti orar spre simbolul flăcării mare.
- » Gazul se aprinde de la scânteia creată.
3. Reglați flacăra după caz.

Oprirea arzătoarelor pe gaz

Rotiți butonul arzătorului în poziția oprit (cea de sus).

Sistemul de siguranță pentru oprirea gazului (pentru modelele cu componentă termică)



1. Sistem de siguranță pentru oprirea gazului

Sistemul de siguranță pentru oprirea gazului are rolul de a preveni exploziile cauzate de scurgerile de gaz.

- Apăsați butonul și rotiți-l în sens anti-orar pentru aprindere.
- După aprinderea gazului țineți butonul apăsat încă 3-5 secunde pentru a activa sistemul de siguranță.
- Dacă gazul nu se aprinde după apăsarea și eliberarea butonului, repetați procesul ținând butonul apăsat timp de 15 secunde.



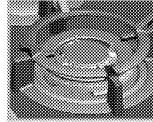
PERICOL

Pericol de explozie în cazul acumulărilor de gaz!

Nu apăsați butonul mai mult de 15 secunde dacă flacăra nu se aprinde.

Așteptați un minut, apoi repetați procedura de aprindere.

Arzător pentru wok



Arzătoarele pentru wok sunt utile pentru gătirea rapidă. Wok-ul este o tigaie adâncă și plată folosită cu precădere în bucătăria asiatică pentru gătirea legumelor și a cărnii la flacăra mare și în timp scurt.

Mâncarea este gătită pe foc mare și într-un timp scurt în aceste tigăi, care conduc rapid și uniform căldura, astfel că alimentele își păstrează calitățile nutritive, iar legumele rămân crocante. Puteți utiliza arzătorul pentru wok și pentru a găti în recipiente obișnuite.

6 Întreținere și curățare

Informații generale

Curățați produsul regulat pentru a-i prelungi durata de funcționare și a evita problemele frecvente de funcționare.



PERICOL

Pericol de șoc electric!

Pentru a evita șocurile electrice, întrerupeți alimentarea cu electricitate înainte de curățarea aparatului.



PERICOL

Suprafețele fierbinți provoacă arsuri!

Lăsați aparatul să se răcească înainte de curățare.

- Curățați bine produsul după fiecare folosire. Astfel, reziduurile pot fi îndepărtate mai ușor, evitându-se arderea lor la următoarea utilizare a aparatului.
- Curățarea produsului nu necesită substanțe de curățare speciale. Pentru curățarea produsului folosiți apă caldă cu lichid de spălat vase, un burete sau o cârpă moale, apoi ștergeți-l cu o cârpă uscată.
- Uscați plita după ce ați curățat-o și ștergeți imediat substanțele vărsate pe aceasta.
- Nu folosiți substanțe de curățare care conțin acid sau clor pentru curățarea mânerului și suprafețelor din oțel inox. Folosiți o cârpă moale cu detergent lichid (neabraziv) pentru a curăța aceste piese, ștergând într-o singură direcție.



Suprafața poate fi deteriorată de unii detergenți sau materiale de curățare.

Nu folosiți obiecte ascuțite, detergenți, prafuri sau substanțe de curățare agresive.



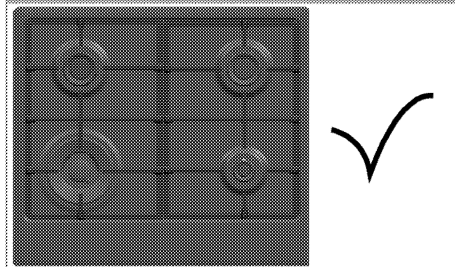
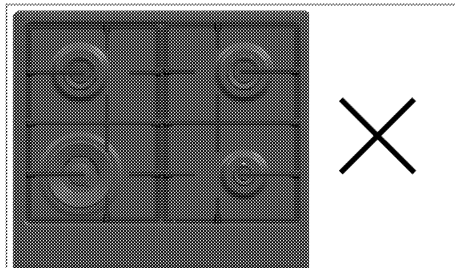
Nu folosiți jeturi de aburi pentru curățare.

Curățarea plitei

Plite cu gaz

1. Scoateți și curățați suporturile pentru recipiente și capacele arzătoarelor.
2. Curățați plita.

3. Puneți la loc capacele arzătoarelor asigurându-vă că sunt în poziția corectă.
4. Când montați grilajele superioare, aveți grijă să așezați suporturile pentru recipiente astfel încât arzătoarele să fie centrate.



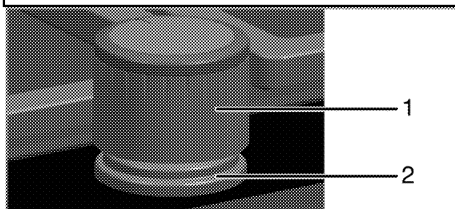
Curățarea panoului de control

Curățați panoul de control și butoanele acestuia cu o cârpă umedă, apoi ștergeți-le cu o cârpă uscată.



Deteriorarea panoului de control!

Nu demontați butoanele pentru a curăța panoul de control.



- 1 Buton
- 2 Element de etanșare



Nu demontați elementele de etanșare de sub butoane pentru curățare.

7 Remedierea problemelor

Gazul este întrerupt.

Robinetul principal de gaz este închis.

Deschideți robinetul de gaz.

Conducta de gaz este îndoită.

Montați corect conducta de gaz.

Nu se produce scânteia de aprindere.

Aparatul nu este alimentat cu curent.

Verificați tabloul de siguranțe.

Arzătoarele ard neuniform sau nu ard deloc.

Arzătoarele sunt murdare.

Curățați componentele arzătorului.

Arzătoarele sunt ude.

Uscați componentele arzătorului.

Capacul arzătorului nu este amplasat corect.

Amplasați corect capacul arzătorului.

Robinetul de gaz este închis.

Deschideți robinetul de gaz.

Butelia de gaz este goală (dacă se folosește GPL).

Înlocuiți cilindrul de gaz.



Dacă instrucțiunile din această secțiune nu v-au ajutat să remediați problema, contactați agentul de service autorizat sau dealerul de la care ați cumpărat produsul. Nu încercați să reparați pe cont propriu produsul defect.



Rețeaua de service ARCTIC

Sediul Central Service Găești
Str. 13 Decembrie nr. 210, Găești, Jud. Dâmbovița

Centrul de apeluri

0245 - 605 111, număr apelabil în rețeaua Romtelecom
0372 - 015 111, număr apelabil în rețeaua Vodafone

Programul de funcționare al Centrului de Apeluri

Luni - Vineri: 08:00 - 20:00

Sâmbătă: 09:00 - 17:00

E-mail: service@arctic.ro

Nr. Crt.	JUDEȚ	REPREZENTANȚĂ	ADRESA
1.	ALBA	ALBA IULIA	Bd. Transilvaniei, bl. 3FG parter
2.	ARAD	ARAD	Piața Arenei, bloc E, Sc. C, parter
3.	ARGEȘ	PITEȘTI	Str. Frații Golești, bloc S-9C, parter
4.	BACĂU	BACĂU	Str. Energiei nr. 39, Bl.39, parter
5.	BIHOR	ORADEA	Bd. Dacia nr. 54, bl. U4, parter
6.	BISTRIȚA NĂSAUD	BISTRIȚA	Str. Constantin Roman Vivu, bl.1, Sc.A, parter
7.	BRAILA	BRAILA	Str. Școlilor nr. 37, bloc C, parter
8.	BRAȘOV	BRAȘOV	Str. Jepilor nr. 2, cartier Răcădău
9.	BUCUREȘTI	DECEBAL	Bd. Decebal, nr. 18 – 20, bloc S4, parter
10.	BUZAU	BUZAU	Str. Ion Băieșu, bloc C2, parter

Nr. Crt.	JUDET	REPREZANTANȚĂ	ADRESA
11.	CARAȘ SEVERIN	REȘIȚA	Sir. B.A. Petculescu, bloc 1A, parter
12.	CLUJ	CLUJ	Sir. C. Brâncuși nr. 2, bloc 3B, parter
13.	CONSTANȚA	CONSTANȚA	Șos. Mangaliei nr. 93, bloc S, parter
14.	COVASNA	SFANTU GHEORGHE	Bd. Nicolae Iorga nr. 10A, Bl.10, parter
15.	DĂMBOVIȚA	GĂEȘTI	Sir. 1 Decembrie, bloc 64
16.	DĂMBOVIȚA	TĂRGOVIȘTE	Sir. I. C. Bratianu, bl. D1, sc. C, parter
17.	DOLJ	CRAIOVA	Bd. Decebal, nr.79-81, bl.38, parter
18.	GALAȚI	GALAȚI	Sir. Constructorilor nr. 7
19.	GORJ	TĂRGU JIU	Sir. 1 Decembrie 1918, bl. D6, parter
20.	HARGHITA	MIERCUREA CIUC	Sir. Pietei, nr.7, sc. D, parter
21.	HUNEDOARA	DEVA	Bd. 22 Decembrie, bloc 10, sc.1, parter
22.	IALOMIȚA	SLOBOZIA	Sir. Dobrogeanu Gherea, bl. D1, sc.C, parter
23.	IAȘI	IAȘI	Sir. Sf. Lazăr nr. 6, parter
24.	MARAMUREȘ	BAIA MARE	Sir. Traian, nr. 12, bl. 12, parter
25.	MEHEDINȚI	TURNU SEVERIN	Sir. Independentei, nr. 39, bl. KA 2, parter
26.	MUREȘ	TĂRGU MUREȘ	Sir. Libertății nr. 97
27.	NEAMȚ	PIATRA NEAMȚ	Sir. I. Antonescu, nr. 6, bl. T6, sc. B, parter
28.	OLT	SLATINA	Sir. Nicolae Titulescu, bl.21A, parter
29.	PRAHOVA	PLOIEȘTI	Sir. Gheorghe Doja bl.35, sc. C, parter
30.	SĂLAJ	ZALAU	Sir. Gheorghe Doja, nr.91, bl. D113, sc A, parter
31.	SĂTU MARE	SATU MARE	Bd. Lucian Blaga, bloc U18, parter
32.	SIBIU	SIBIU	Sir. Parcul Tineretului, bl.9, parter
33.	SUCEAVA	SUCEAVA	Sir. Mărășești nr. 39a
34.	TELEORMAN	ALEXANDRIA	Sir. Dunării, bloc BM2, sc. F, parter
35.	TIMIȘ	TIMIȘOARA	Bd. Ștefan cel Mare, bl. U15, parter
36.	TULCEA	TULCEA	Sir. Babadag, bl. 3, sc. A, parter
37.	VALCEA	RAMNICU VĂLCEA	Sir. Tudor Vladimirescu, nr. 5, sc C, parter
38.	VASLUI	VASLUI	Bd. Republicii nr. 12, bloc G45

