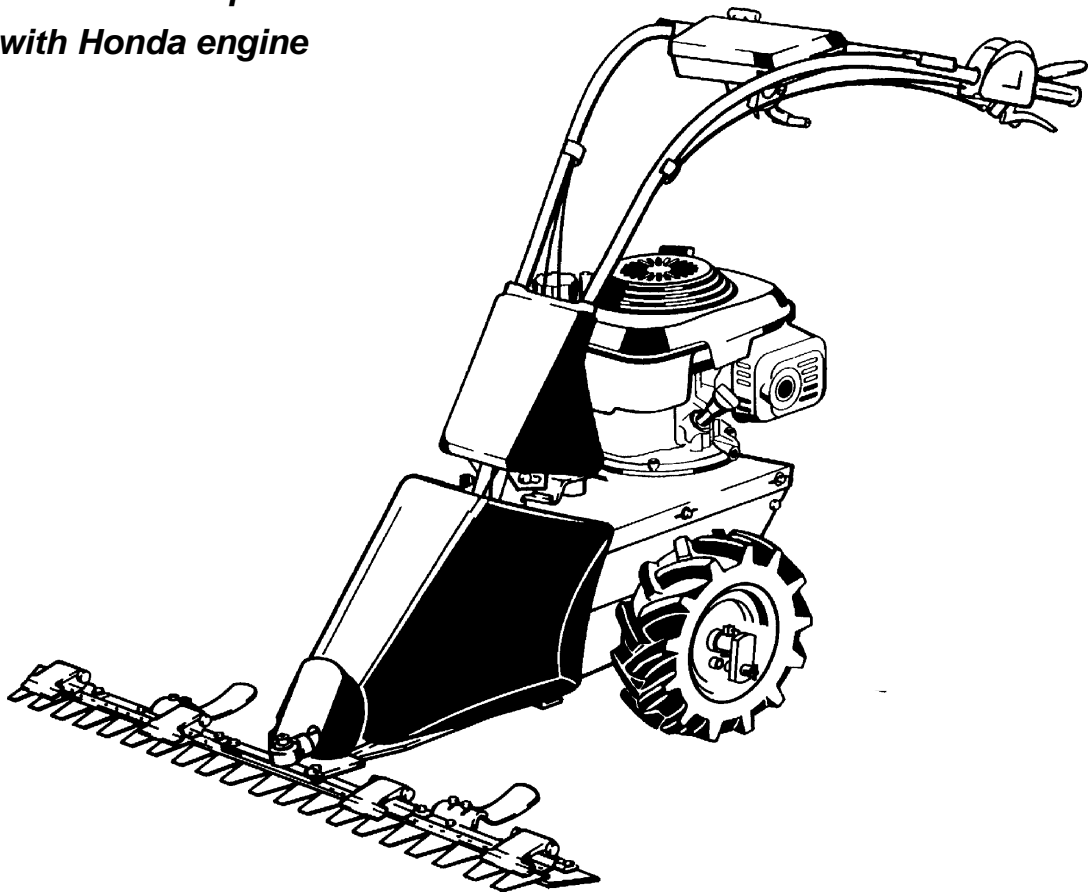


# Original Operating Instructions

agria

## Grassland Mower 5100 Rabbit

*Type 5100 321  
with reverse speed  
with Honda engine*



4342A



*Before commissioning the machine, read operating instructions and observe warnings and safety instructions.*



**Please complete:**

Machine Type No. ....
Identification No. .....
Engine Type: .....
Engine No. ....
Date of Purchase: .....

For name plate, refer to p3/fig. A/1.

For Engine type and number, refer to p46/fig. C/7.

Please state these data when ordering spare parts to avoid wrong deliveries.

**Only use original agria spare parts!**

Specifications, figures and dimensions stated in these instructions are not binding. No claims can be derived from them. We reserve the right for improvements without changing these instructions.

**This delivery comprises:**

- Operating instructions
- Grassland mower – base machine
- Steering handle with attachment bolts
- Linch pin for cutter bar attachment
- Tool kit

**Symbols**



Warning – Danger



Important information



Choke



Fuel



Oil



Engine Start



Engine Stop



Mowing drive



Wheel drive



Wheel drive engaged



Wheel drive disengaged



Open (unlocked)



Closed (locked)

→ **agria - Service** ← = contact  
Your agria workshop

Fig. A

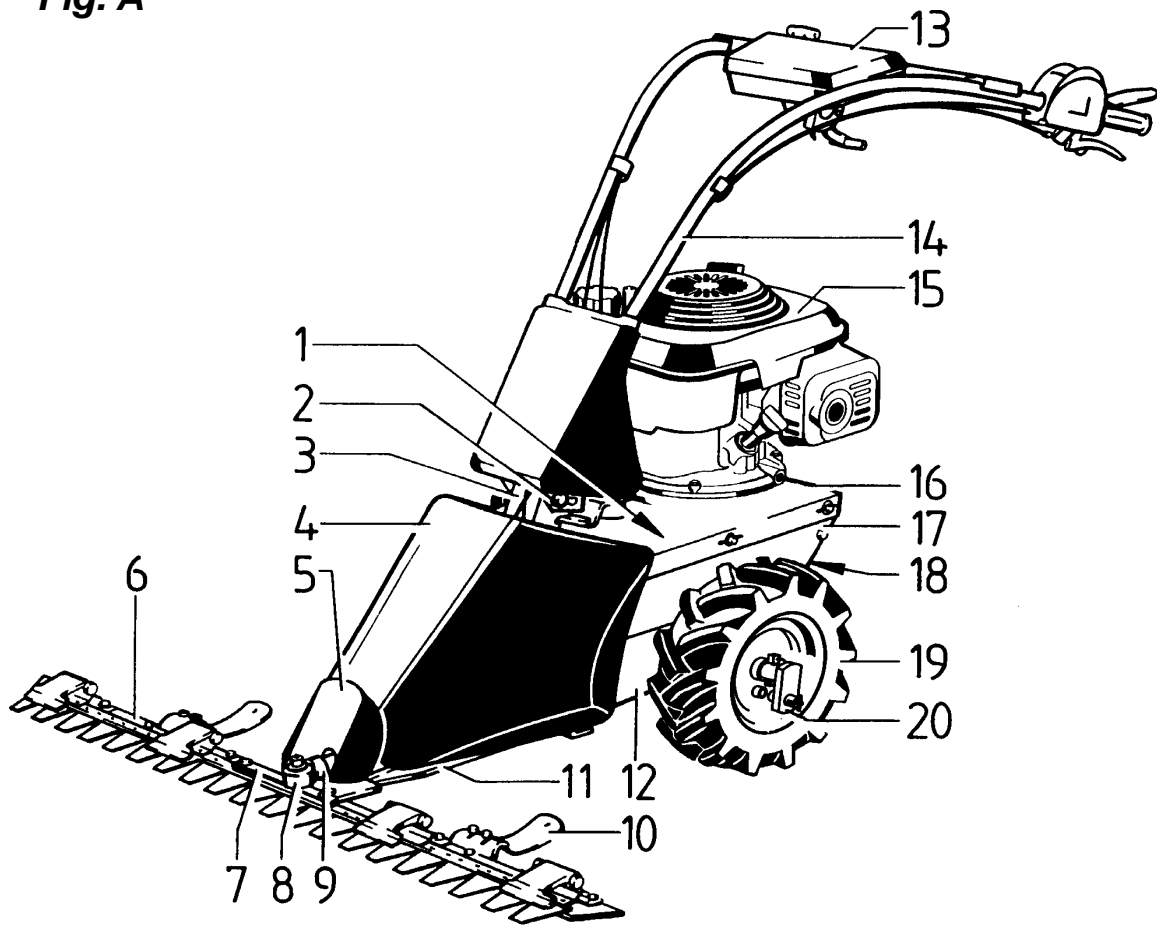
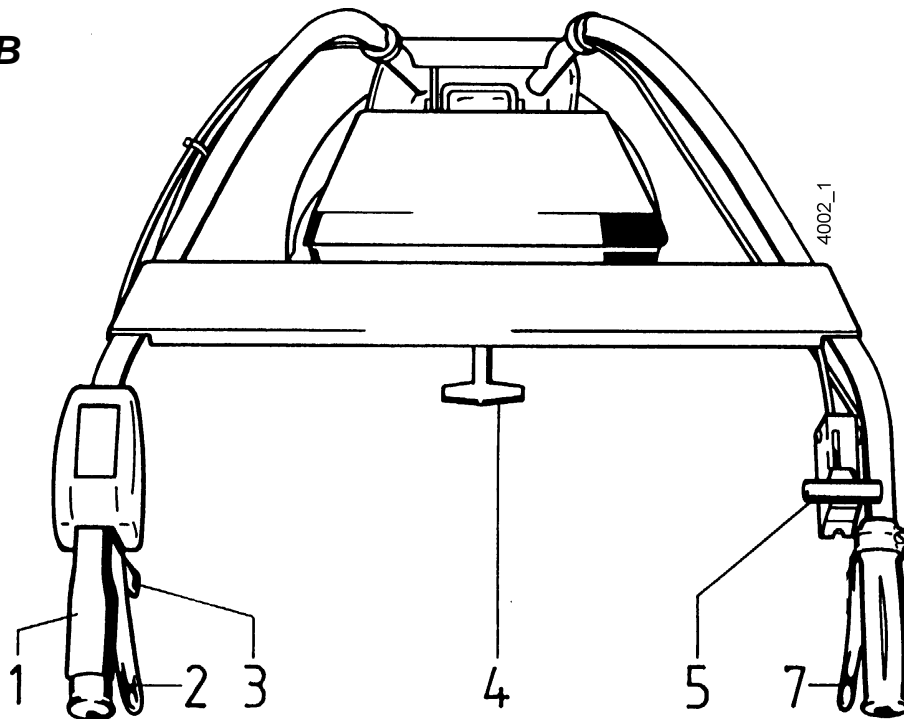


Fig. B




### **Figure A**

- 1 Machine type plate (Identification No.)  
(on engine support plate to the right)
- 2 Hex head bolt for steering handle height adjustment
- 3 Steering bar
- 4 Mowing drive hood
- 5 Crop deflector
- 6 Cutter bar
- 7 Knife driver
- 8 Knife driver hole
- 9 Rocker arm
- 10 Running bases
- 11 Mowing drive
- 12 Worm gear (transmission)
- 13 Tool box
- 14 Steering handle
- 15 Engine
- 16 Engine support plate
- 17 Belt drive housing
- 18 Belt housing cover
- 19 Drive wheel
- 20 Wheel dog switchable

### **Figure B**

- 1 Safety circuit lever
- 2 Transmission clutch lever
- 3 Pawl for transmission clutch lever
- 4 Mowing drive clutch lever
- 5 Speed control lever and engine shut-off lever
- 7 Lever for steering handle side-adjustment

<b>Amount of Delivery</b> .....	<b>2</b>	<b>5. Maintenance</b>	
<b>Designation of Parts</b> .....	<b>3, 46</b>	Machine .....	27
<b>Recommendations</b>		Clutch play .....	27
Lubricants, Anti-Corrosive Agents ..	6	Drive-wheels .....	28
Fuel .....	6	Mowing Attachment .....	28
Maintenance and Repair .....	6	Universal-S Cutter Bar .....	29
		Grinding the Knives .....	30
<b>Unpacking and Assembly</b> .....	<b>7</b>	Engine .....	31
		Air Filter .....	32
<b>1. Safety Instructions</b> .....	<b>8–12</b>	Fuel System .....	33
		Spark Plug .....	34
<b>2. Specifications</b>		Cooling System .....	34
Dimensions .....	13	Governor .....	35
Grassland Mower .....	13	Exhaust .....	35
Mowing Drive .....	13	Speed Actuating Devices .....	35
Noise Level .....	13	Carburetor Settings .....	35
Vibration Acceleration Value .....	13	Safety circuit .....	36
Engine .....	14	General .....	36
Operation on Slopes .....	14	Cleaning .....	36
		Storage .....	37
<b>3. Devices and Operating Elements</b>		<b>Electrical Wiring</b> .....	<b>38</b>
Engine .....	15	<b>Varnishes, Wear Parts</b> .....	<b>39</b>
Safety circuit .....	16	<b>6. Troubleshooting</b> .....	<b>40–41</b>
Clutch .....	16		
Transmission .....	17	<b>Lubrication Chart</b> .....	<b>42</b>
Mowing Drive .....	17	<b>Inspection and</b>	
Steering Handle .....	18	<b>Maintenance Chart</b> .....	<b>43</b>
Drive-Wheels .....	19	<b>Conformity Declaration</b> .....	<b>47</b>
Cutter Bar .....	20		
Replacing the Mowing Knife .....	21		
<b>4. Commissioning and Operation</b>			
Commissioning the Machine .....	23	<b>Note fold-out pages!</b>	
Starting the Engine .....	24	<b>Fig. A and B</b> .....	<b>3</b>
Shutting off the Engine .....	25	<b>Fig. C</b> .....	<b>46</b>
Mowing .....	26		

1

2

3

4

5

6

### **Lubricants and Anti-Corrosive Agents:**

Use the lubricants specified for engine and gearbox (see “Specifications”).

We recommend using **Bio-lubricating oil** or **Bio-lubricating grease** for “open” lubrication points or nipples (as specified in the operating instructions).

We recommend using **Bio-slushing oil** to preserve machines and attachments (do not apply on painted covers). You can brush or spray the oil.

Anti-corrosive agents are environmentally friendly and degrade fast.

Using ecologically safe Bio-lubricants and Bio-anti-corrosives, you contribute to environmental protection and to the wellbeing of humans, animals and plants.

### **Fuel**

This engine runs smoothly on **conventional unleaded regular and supergrade petrol** as well as on **leaded supergrade petrol**.

**Do not add oil to petrol.**

If, for environmental reasons, you use unleaded petrol, make sure the fuel is drained completely when shutting down the engine for more than 30 days. This is to prevent resin residue from depositing in the carburetor, fuel filter, and tank. Or add a fuel stabilizer to the fuel.

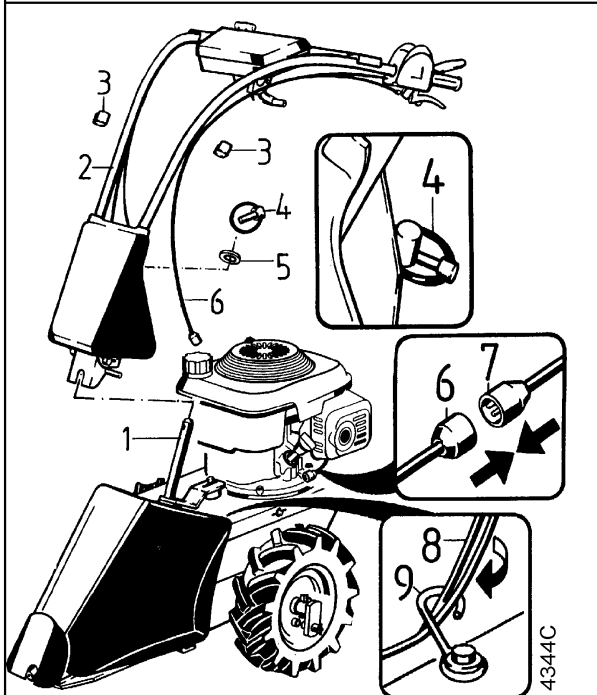
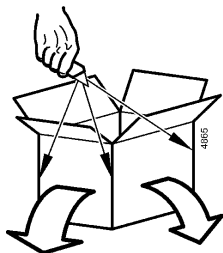
For further instructions see “Engine Preservation”.

### **Maintenance and Repair:**

The trained mechanics of your agria workshop expertly carry out any maintenance and repair work.

You should only carry out major maintenance work and repairs on your own, if you have the proper tools and knowledge of machines and internal combustion engines.

Do not hammer against the flywheel with a hard object or metal tools as it might crack and shatter in operation, causing injuries and damage. Only use suitable tools to pull off the flywheel.



- 1 Steering column pin
- 2 Steering handle
- 3 Clips
- 4 Linch pin
- 5 Washer
- 6 Electric cable with connector (on steering handle)
- 7 Electric connector on engine
- 8 Bowden cables
- 9 Guide hook for Bowden cables

## Unpacking

- Open the top of the cardboard box.
- Cut the box open on all four corners and fold down the sides.

## Assembly of steering handle

- Push the steering handle location holes (2) onto the steering column pin (1).
- Fit the washer (5) onto the steering column pin (1).
- Lock the steering handle by fitting the linch pin (4) through the horizontal hole in the steering column.
- Notch the steering handle into the middle position of the side adjustment mechanism (see page 18).
- Adjust the steering handle to the desired working height (see page 18).
- Connect the electric cable (7) to socket (6) (engine safety circuit system).
- Fit the Bowden cables (8) into the guide hook (9).
- Inspect again all cable guides to ensure the cables are not twisted or jammed and to avoid clutch problems.
- Attach Bowden and electric cables with clips (3) to the steering handle.

## Attaching the cutter bar

See instructions on page 20

## Starting up

See instructions on page 23

# 1. Safety Instructions

Before starting the engine, read the operating instructions and note:

1

## Warning



This symbol marks all paragraphs which affect your safety. Pass all safety instructions to other users and operators.

## Due Use

The grassland mower is constructed solely for the cutting of grass and similar plants as well as thin non-wooded scrub in land & forest management, green spaces, and other such areas and may also be used as a snow-clearing machine after it has been fitted with a suitable rake blade (due use).

Any other type of operation is considered undue. The manufacturer is not liable for any damages resulting from undue use, for which the risk lies with the user alone.

When the grassland mower is used on public roads, the local national road traffic rules must be observed, e.g. reflectors, lights.

The grassland mower is not intended for use with a trailer on public roads or as a tractive machine.

Due use includes compliance with manufacturer's instructions on operation, maintenance and repair.

Any unauthorized changes to the mower render manufacturer liability null and void.

## General Instructions on Safety and Accident Prevention

### Basic Rule:

The standard accident prevention regulations must be adhered to, as well as all other generally accepted rules governing operational safety, occupational health and road traffic regulations.

For drives on public roads, the national traffic code applies.

Accordingly, check the grassland mower for road and operational safety each time you take up operation.

Only persons familiar with the mower and instructed on the hazards of operation are allowed to use, maintain and repair the mower.

Teenagers of 16 years or younger may not operate the grassland mower!

Only work in good light and visibility.

Operator's clothes should fit tight. Avoid wearing loose fitting clothes. Wear solid shoes.

Note the warning and instruction signs on the mower for safe operation. Compliance is for your own safety.

When transporting the mower on vehicles or trailers outside the area to be mowed, ensure that the engine is turned off.

Careful with rotating tools – keep at a safe distance!



# 1. Safety Instructions



*Beware of coasting tools. Before you start any maintenance or repair on them, wait until tools have come to a complete stop.*

*Foreign powered parts shear and crush!*

*Riding on the attachment during operation is not permitted.*

*Implements and their weight affect the driving, steering, braking, and tip-over characteristics of the mower. Therefore, ensure steering and braking functions are sufficient. Match operating speed to conditions.*

*Do not change settings of governor. High engine speed increases risk of accidents.*

## **Working Area and Danger Zone**

*The user is liable to third parties working within the mower's working range.*

*Staying in the danger zone is not permitted.*

*Check the immediate surroundings of the mower before you start it. Watch out for children and animals.*

*Before you start work, clear the area from any foreign object. During operation, always watch out for further objects and remove them in time.*

*For operation in enclosed areas, ensure that a safety distance is kept to enclosures to prevent damage to tools.*

## **Operation and Safety Devices**

### **Before you start the engine**

*Become familiar with the devices and operating elements and their functions. Above all, learn how to turn the engine off quickly and safely in an emergency.*

*Ensure that all protective devices are mounted and positioned to provide protection.*

*With no implement mounted, make sure PTO-shaft is covered with the protective cap.*

### **Starting the engine**

*Do not start engine in closed rooms. The carbon monoxide contained in the exhaust fume is extremely toxic when inhaled.*

*Before you start the engine set all operating elements to neutral or idling position.*

*For starting the engine, do not step in front of the mower and the implement.*

*Do not use assist-starting liquids when using electrical assist-starting devices (jumper cable). Danger of explosion.*

### **Operation**

*Never leave the operator's position at the steering handle while mower is at work.*

*Never adjust the operating handles during work – danger!*

# 1. Safety Instructions

**1**

*During operation the operator must keep at a distance as defined by the steering handle, especially when turning the machine.*

*Riding on the implement during operation or in transport is not permitted.*

*If clogging occurs in the implement, turn off the engine and clean the implement with an appropriate tool.*

*In case of damage to the grassland mower or to the implement, immediately turn off the engine and have it repaired.*

*If steering causes problems, immediately bring the mower to a halt and turn it off. Have the malfunction removed without delay.*

*To prevent the mower from sliding on slopes, make sure it is secured by another person using a bar or a rope. This person must be located at a higher position than the vehicle and at a safe distance from the attachment at work.*

*If possible, always work horizontally on the slope.*

## **End of Operation**

*Never leave the mower unattended with the engine running.*

*Before you leave the grassland mower, turn off the engine.*

*Secure grassland mower against unauthorized use. If mower is equipped with ignition key, remove the key. For all other versions, remove spark plug connector.*

## **Implements**

*Only mount implements with the engine and PTO switched off.*

*Always use appropriate tools and wear gloves when changing implements and parts thereof.*

*For mounting and dismounting implements bring stands into proper position and ensure stability.*

*Secure mower and implements against rolling off (parking brake, wheel chocks).*

*Beware of injuries while coupling implements.*

*Mount implements as specified and only couple at specified points.*

*Secure mower and implement against unauthorized use and rolling off when you leave the machine. If necessary, install transport or security devices and secure.*

## **Mowing Attachment**

*Handle with care! Sharp blades of the cutter bar may cause injuries! Remove knife guards only for mowing and refit immediately after work has finished.*

*For transport and storage always mount the knife guards. Secure finger bars additionally with tension springs.*

*Do not transport the dismantled cutter bar without knife guards.*

# 1. Safety Instructions

**1**

*Before mounting and dismounting the cutter bar, make sure all blades are protected by the knife guards.*

*To exchange the mowing knife and to mount/dismount the knife driver, make sure that you turn bolts away from cutting edges.*

*For grinding the mowing knives, always wear safety goggles and gloves.*

## **Weights**

*Always fit weights onto appropriate weight mounting devices.*

## **Snow Clearing**

*Ensure snow dozer is mounted correctly! Wear slip-proof shoes.*

*When pivoting the snow dozer watch out for crush and shear points. Adjust working speed to conditions. Operator may be injured when the mache comes in contact with solid objects.*

## **Maintenance and Cleaning**

*Never carry out any maintenance or cleaning with the engine running.*

*Before you work on the engine, always remove spark plug connector (petrol engine only).*

*Check regularly and, if necessary, replace all guards and tools subject to wear and tear.*

*Replace damaged cutting tools.*

*Always wear safety gloves and use proper tools when exchanging cutting tools.*

*Do not carry out repairs like welding, grinding, drilling, etc. on structural and safety-relevant parts (e.g. steering handle, coupling devices)!*

*Keep mower and implement clean to avoid risk of fire.*

*Check nuts and bolts regularly for tight fit and re-tighten, if necessary.*

*After maintenance and cleaning, ensure that you re-install all safety devices and guards and adjust them properly.*

*Only use original agria spare parts. All other commercial spare parts must correspond to quality and technical requirements specified by agria.*

## **Storage**

*It is not allowed to store the mower in rooms with open heating.*

*Never park the mower in closed rooms with fuel left in tank. Fuel vapours are hazardous.*

## **Engine, Fuel, and Oil**

*Never let the engine run in closed rooms. Extreme danger of intoxication! For the same reason, also replace damaged exhaust pipe immediately.*

*Be careful when dealing with fuel. Great danger of fire! Never refill fuel close to open fire, inflammable sparks or hot engine parts. Do not refill fuel in closed rooms. Do not smoke when refilling!*

*Refill only with the engine switched off and cooled down.*

*Do not spill any fuel, use a proper filling device.*

*In case of fuel spillage, pull the grassland mower away from the spillage before you start the engine.*

*Make sure fuel is of specified quality.*

*Store fuel in approved cans only.*

# 1. Safety Instructions

1

Store anti-corrosive agents and stabilizing liquids out of reach of children. If sickness and vomiting occur, see a doctor. If fuel has contacted eyes, rinse them thoroughly, avoid inhaling of vapours.

Read and observe enclosed instructions.

Before you dispose of opened and seemingly empty pressurised tins (e.g. of assist-starting liquids) make sure they are completely empty. Empty them in ventilated places safe from spark formation or flames. If necessary, dispose of tins in hazardous waste deposits.

Be careful when draining hot oil, danger of burns.

Make sure oil is of specified quality. Storage is in approved cans only.

Dispose of oil, greases, and filters separately and properly.

## Tyres and Tyre Air Pressure

When working on tyres, make sure grassland mower is parked properly and secured against rolling off.

Any repairs are to be carried out by trained mechanics only and with the appropriate tools.

Regularly check tyre air pressure. Excessive pressure may cause bursts.

Use appropriate tyre air pressure when mounting weights or implements.

Re-tighten attachment bolts of drive-wheels or check tightness when doing maintenance work.

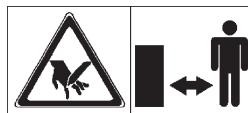
## Electrical System and Battery

Persons having a pacemaker must not touch live parts of ignition system when the engine is running.

## Explanation of Warning Signs



Before any cleaning, maintenance, and repair work switch off the engine and pull spark plug connector.



With engine running, keep at a safe distance from cutting tools.

## Signs



When working with the machine, wear individual protective ear plugs.



Wear protective gloves.



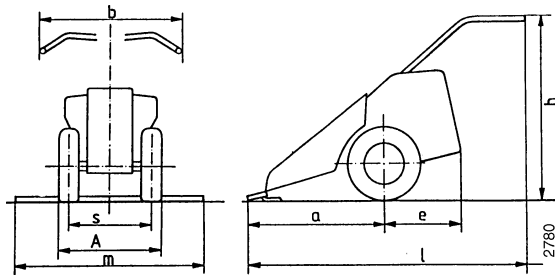
Wear solid shoes.

## 2. Specifications

**agria**

### Grassland Mower

#### Machine dimensions:



a .....	630 mm
b .....	560 mm
e .....	180 mm
h .....	740-980 mm
l .....	1260 mm
m .....	710 or 910 mm
.. (depending on cutter bar version)	
s .....	430 mm
A .....	525 mm

**Tyres:** ..... 3.50-6 (field tyres)

**Tyre pressure:** ..... 0.8bar

#### Clutch:

2 V-belt clutches, separate engagement, pulleys between engine and transmission or mowing drive.

Friction clutch for reverse speed

**Only use genuine agria V-belts (see spare parts, p39)**

**Transmission:** ..... Worm gear

#### Ground speeds:

forward ..... 2.8km/hr

reverse ..... 1.8km/hr

#### Mowing drive:

Central rocker arm drive, knife driver fitted with rubber bearing bush

Reciprocating shaft speed ..... 920 rpm

Stroke ..... approx. 60 mm

#### Steering handle:

vibration dampened, side-adjustable, height-adjustable without tools

**Weight:** ..... approx. 65 kg  
(without cutter bar)

#### Noise level:

In accordance with EN 12733

Noise level at operator's ear . 80.7 dBA

Acoustic power level ..... 99 dBA

#### Vibration acceleration value:

on handlebar grip: .....  $a_{hw} = 7.4 \text{ m/s}^2$

in accordance with ISO 5349 standard at 85% of rated engine speed with tools at work.

2

## 2. Specifications

**agria**

2

### Engine

**Manufacturer:** ..... Honda

**Type:** ..... GCV 160 N2E

**Version:** ..... Fan-air-cooled  
1 cylinder-4-stroke  
OHC engine (petrol)

**Bore:** ..... 64 mm

**Stroke:** ..... 50 mm

**Piston displacement:** ..... 160 ccm

**Output:** ..... 4.1 kW  
at 3,000 rpm

**Torque:** ..... max 11.4 Nm  
at 2,500 rpm

**Spark plug:** ..... NGK BPR6ES Bosch  
**Spark plug gap:** ..... 0.7–0.8 mm

### Ignition:

Transistor trip coil, contactless;  
ignition point: 20° before dead centre,  
radio remote screened according to  
VDE 0879

### Valve lash (engine cold)

**Intake:** ..... 0.15 ± 0.04 mm

**Outlet:** ..... 0.20 ± 0.04 mm

**Starter:** ..... Recoil starter

**Fuel tank capacity:** ..... 1.1 l

**Fuel:** ..... Conventional petrol  
Octane number min. 85 RON  
(refer to fuel recommendations  
in this manual)

**Air filter:** ..... Dry element filter

**Carburetor:** ..... Float carburetor  
Throttle valve type

**Mixture control screw:** ..... opened by  
approx. 1 turn in base setting

**Top no-load speed:** ..... 3,250 rpm

**Idling speed:** ..... 1,550–1,850 rpm

### Engine oil:

Filling quantity ..... approx. 0.55 l  
Multi-grade oil SAE 10 W-40  
SG, SF or higher quality grade

### Operability on Slopes:

Engine is suited for use on slopes  
(with oil level at „max“ = upper level  
mark)

Continuous operation possible up to  
20° inclination (37%)

The grassland mower **agria** 5100 is suited for agricultural and forestal operations, green spaces and for winter service operation. The following cutter bars are available:

- Universal-S cutter bar  
91 cm (agria Item no. 4347 641)  
105 cm (agria Item no. 4347 651)

Available attachment for winter service operation:

- Snow dozer  
100 cm (agria Item no. 5396 012)

## Engine

The four-stroke petrol engine runs on commercial petrol (refer to fuel recommendations p6).

During the first 20 operating hours (break-in period) do not operate the engine at maximum speed.

**Even after the break-in period** never operate the engine at higher speed than is necessary for the work in hand.

**ⓘ High engine speed is harmful to any engine and considerably affects its longevity. This applies especially for no load operation. Any overspeed (have the engine roar) can result in immediate damage.**

## Cooling System

The **engine is fan-cooled**. Therefore keep the grille on the recoil starter and the cooling fins on the cylinder clean and free from sucked-in plant trash.

## Idling Speed

Always ensure that idling-speed is adjusted correctly. At low speeds and with the speed control lever set to idle, the engine is supposed to run smoothly and without run-out.

## Air Filter

The air filter purifies the air intake. A clogged filter reduces engine output.

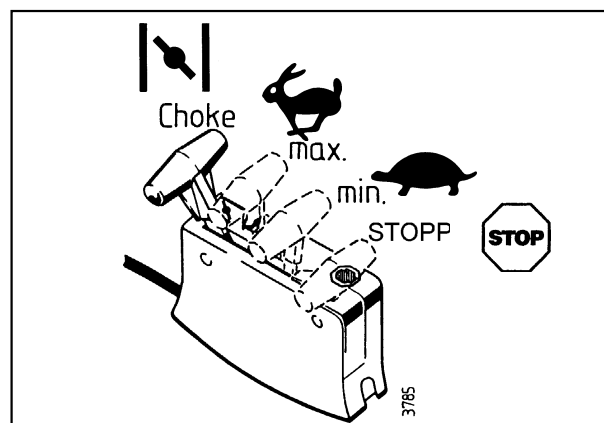
## Ignition System

The engine is equipped with a maintenance-free, contactless electronic ignition system. We recommend to have necessary check-ups done by an expert only.

3

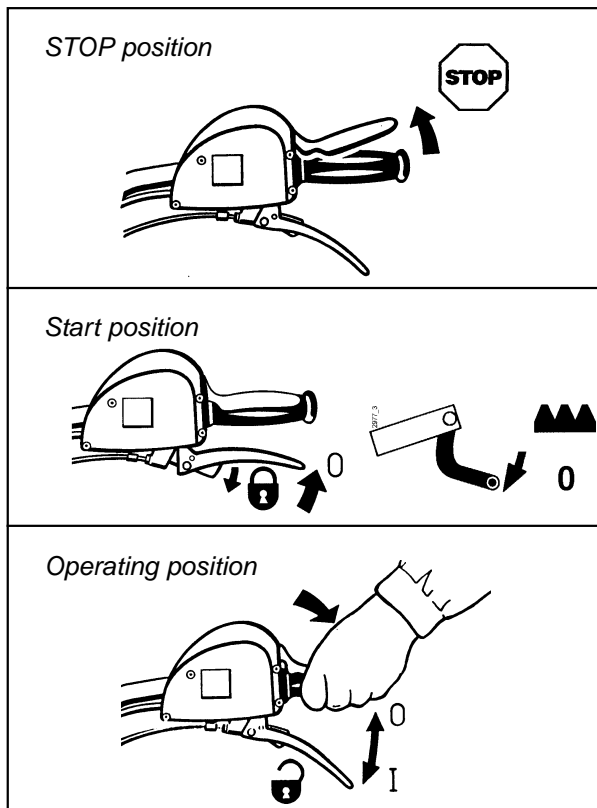
## Speed Control Lever (Engine-shut-off switch)

The speed control lever (B/5) on the steering handle sets the engine speed steplessly and actuates the CHOKE and the engine-shut-off switch. For the appropriate positions in the shift gate see the illustration.



**ⓘ** The speed control lever also serves as **engine safety circuit**. In an emergency move the lever to position "STOP" to shut off the engine instantly.

3



### Safety circuit

The grassland mower is equipped with a safety circuit lever.

- **Stop position:** Upon release of the lever – with transmission and mowing drive engaged – the ignition system is switched off (engine is shut off).

Caution – engine keeps running due to centrifugal mass.

- **Start position:** Pull the clutch lever (B/2) to start the machine and to interrupt work. Lock the lever with pawl (B/3) and move the mowing drive lever (B/4) to position "0".

- **Operating position:** Press the safety lever (B/1) down to start operation.

**Do not tie down the safety lever.**

The safety circuit lever also serves **to shut off the engine in an emergency situation.** Upon release, the lever will automatically go to STOP position.

### Clutch

The machine is equipped with a V-belt clutch. Clutch engagement is via clutch lever (B/2) for transmission engagement and via lever (B/4) for mowing drive engagement.

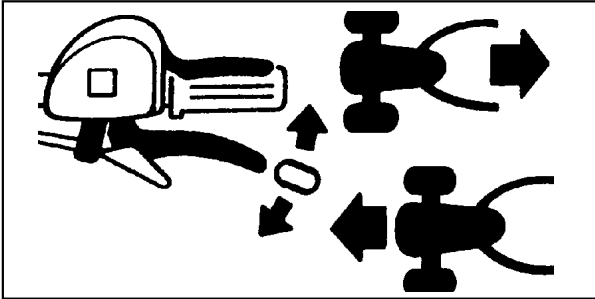
It is possible to engage each clutch independently.

The transmission clutch is combined with reverse speed selection.



#### Transmission

The grassland mower has one forward and one reverse speed.



The forward/reverse speed is engaged/disengaged via clutch lever B/2.

- Forward speed is engaged when the clutch lever is released (B/2) and the pawl is not locked.
- No gear is engaged when the clutch lever is pulled half way (B/2, pawl is locked).
- Reverse speed is engaged when the the clutch lever (B/2) is pulled all the way.

It is possible to lock the clutch lever in position "0" with pawl (B/3).



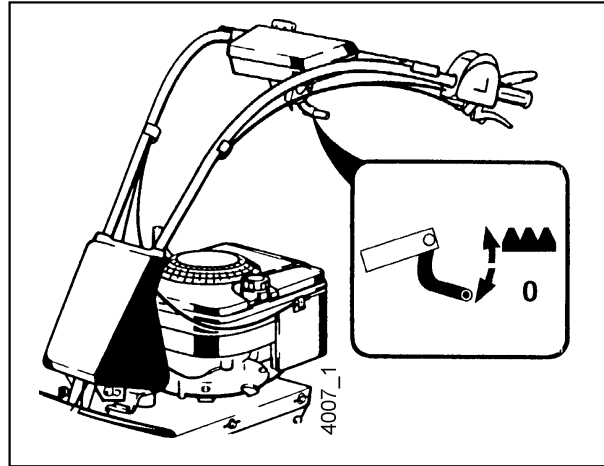
**During slope operation always turn machine towards the slope.**

The levers are factory-set to a play of 2–3 mm to prevent the clutch from slipping during work.

Check the clutch play after the first operating hour and readjust the play if necessary (see maintenance instructions).

#### Mowing drive

The knives are driven by a rubber-mounted rocker drive.



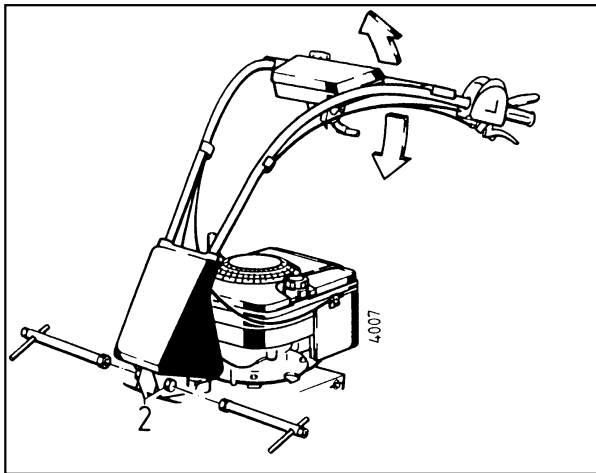
3

The mowing drive is engaged/disengaged via the mowing drive clutch lever (B/4).

- Pull the lever up to engage the drive; the engine is now driving the mowing drive.
- Move the lever down (B/4) to disengage the mowing drive.

**Note:** Park the mower only when all drives are disengaged (see Storage, page 37) to avoid clutch problems.

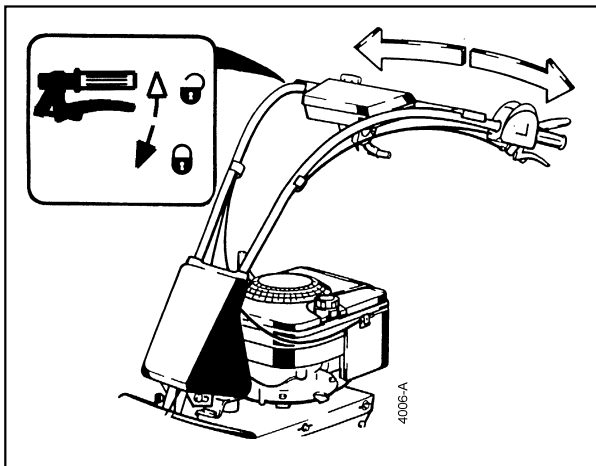
## Steering Handle



### Steering Handle Height Adjustment

- Loosen both hex head bolts (A/2) with a socket spanner until notches are exposed.
- Adjust the steering handle (A/14) to the desired height and fit it into the appropriate notch.
- Tighten the bolts on both ends.

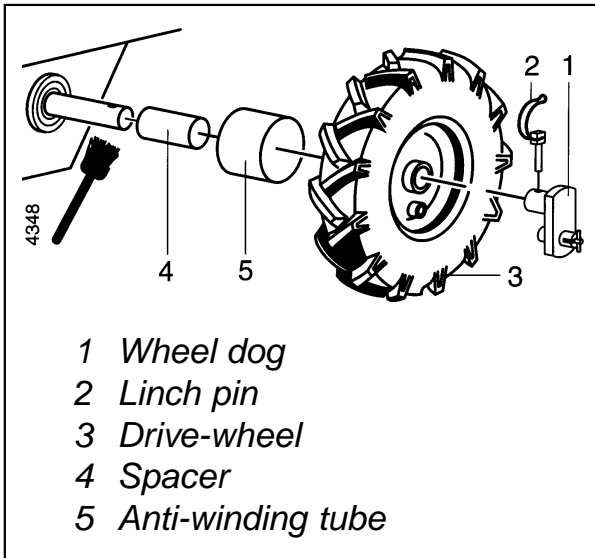
### Steering Handle Side Adjustment



- Pull lever (B/7) up to unlock it. Pivot the steering handle (A/14) to the desired side.
- Release the lever again and ensure that the locking bolt locks in place (if necessary, pivot the steering handle slightly to both sides)

There is one notch on either side and in the middle.

#### Drive-wheels



The drive-wheels (3) are attached to the wheel shaft with linch pins (2). This allows attaching and removing the wheels without tools.

Spacers (4) are fitted between the gearbox and drive wheels.

Anti-winding tubes (5) are fitted on both ends of the wheel shaft. These prevent grass from winding around the wheel shaft. Removing grass that has wound around the shaft is easy: simply remove the drive-wheels without tools and slide off the tubes.

3

#### Wheel Dogs

Wheel dogs are fitted to engage/disengage the wheels independently of the gearbox.

#### Pushing the Machine

Disengage the dogs to push the machine when the engine is shut off.

#### Turning Aid

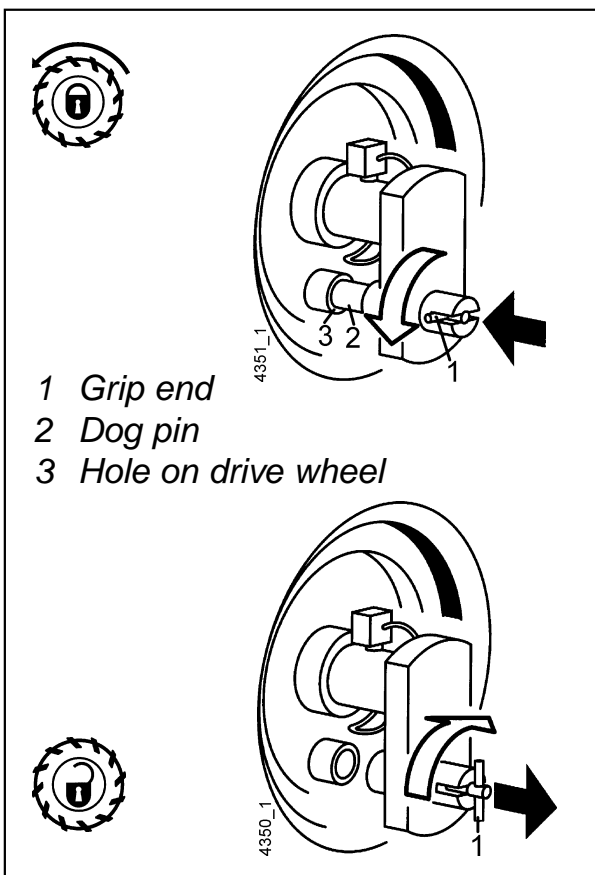
Engage the dog on one wheel only for easier turning.

#### Engaging the Wheel Dogs

- Align the dog pins (2) with the appropriate holes (3) on the drive wheels.
- Turn the pins on their ends (1) by 90 degrees until the ends mesh into the slot. Turn each dog to either side until the pin locks completely into the hole.

#### Disengaging the Wheel Dogs

- Grab the end (1) of each dog pin to pull it out and rotate it by 90 degrees.



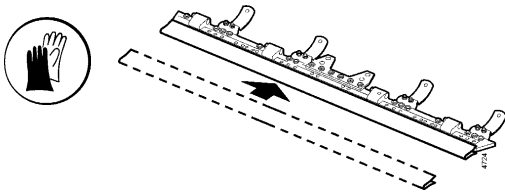
## Attaching the Cutter Bar

The following cutter bars are available for attachment to the base machine:

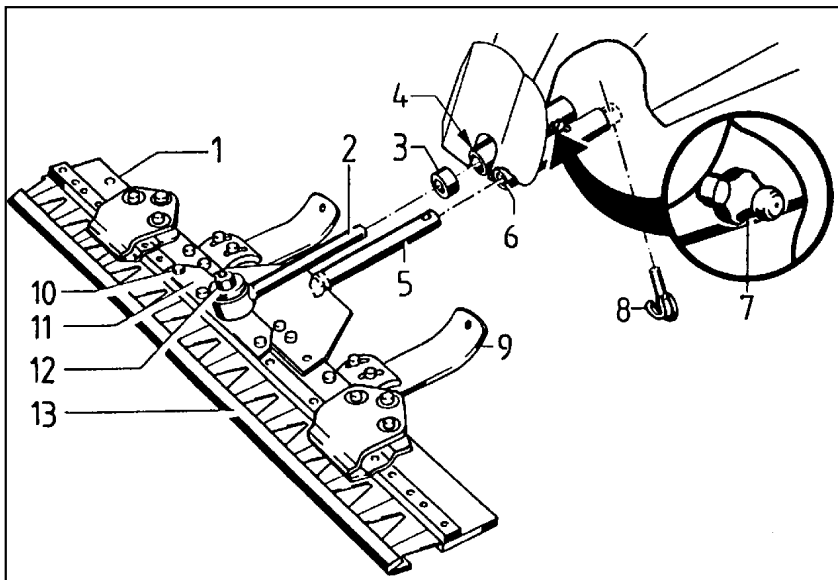
- Universal-S cutter bar  
91 cm (agria Item no. 4347 641)  
105 cm (agria Item no. 4347 651)

**⚠ When attaching/removing the cutter bar to/from the machine fit the knife guard (13) and wear safety gloves!**

- Ensure the o-ring (3) is on the knife driver pin (2)



3



- The knife driver pin (2) must be positioned at a 90° angle to the cutter bar. If this is not the case, align it accordingly. For this purpose, undo the locking nut (12), pivot the driver pin to the proper position and tighten the locking nut.

- Brush bio-lubricating grease on the driver pin (2) and the carrier pin (5).

- 1 Cutter bar
- 2 Knife driver pin
- 3 O-ring
- 4 Carrier pin
- 5 Hole on rocker arm
- 6 Hole to accommodate the cutter bar
- 7 Lubrication nipple
- 8 Linch pin
- 9 Running bases height-adjustable (optional)
- 10 Attachment bolt for knife driver
- 11 Knife driver
- 12 Attachment bolt for knife driver pin
- 13 Knife guard

- Insert the driver pin (2) in the rocker hole (4) and insert the carrier pin (5) in the hole (6) on the cutter bar carrier (if necessary, move the knife until both pins align with the holes).

- Lock the carrier pin with linch pin (8) (this is in the tool kit during shipment).

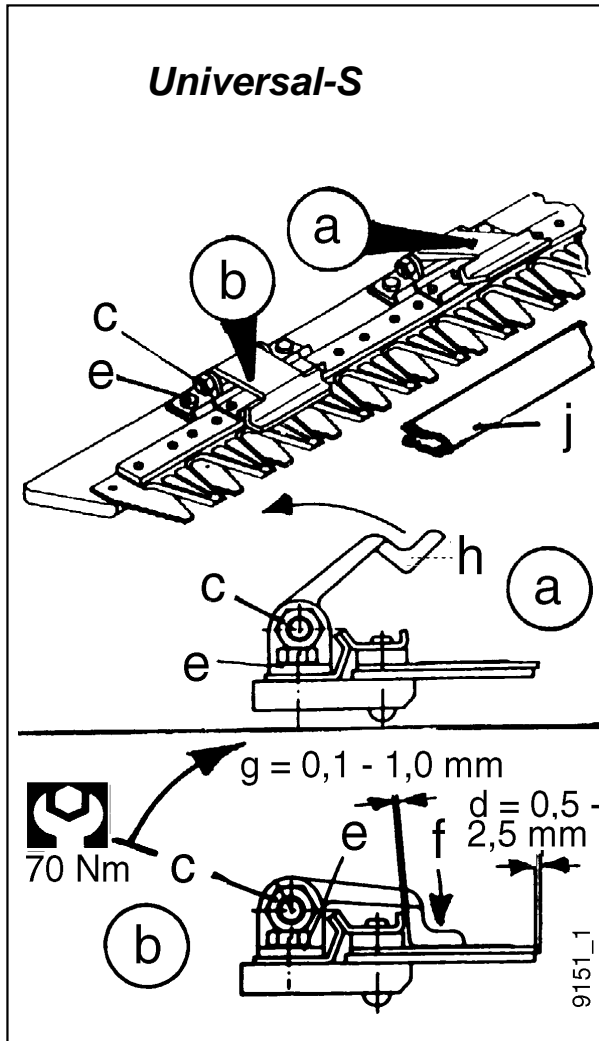
- Lubricate the driver pin (2) on nipple (7) with bio-lubrication grease.

Reverse the above order to **remove** the cutter bar from the base machine.

## Replacing the Mowing Knives

### Universal-S cutter bar

**⚠ Turn off the engine, remove spark plug connector and wear safety gloves!**

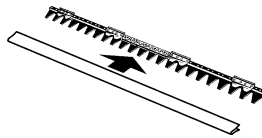


### Removing the mowing knife:

- Loosen the clamping screw (c) and fold up the knife holders (h).
- Pull the knife out to the front.
- Push the knife out to the side – do not use your hands but use a suitable tool, for example a piece of wood.
- Clean the cutter bar and oil it slightly with bio-lubrication oil

**3**

**⚠ Always attach the knife guard (13) before you lay the mowing knife aside.**



### Mounting the mowing knife:

Insert the mowing knife with knife driver (2) and o-ring in the rocker arm hole (4) and push it in until the knife stops on the knife guides.

Fold down the knife holders and tighten the clamping screws (c) while you press in arrow direction (f). Tighten extremely well with a long ring spanner (70 Nm).

Check whether any adjustment is necessary (see “Maintenance”).

#### Running Bases on Cutter Bar

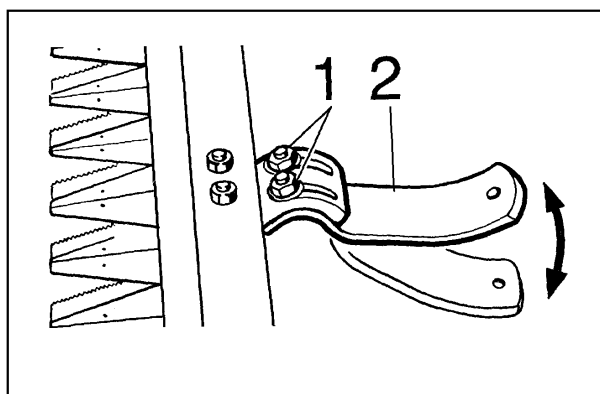
The cutter bar is equipped with rigid skids that are mounted under the cutter bar. It is possible to attach two height-adjustable running bases to obtain a higher stubble.

(Optional equipment  
agria item no. 713 22 = 1 pair)

On cutter bar version S re-fit the existing skid so that it curves upwards (see fig.).

For height adjustment, loosen the hex nuts (1) and adjust the running bases as required. Then re-tighten the hex nuts.

For a clean cut, ensure that the running bases are adjusted to same height.



3

### Commissioning the Machine

Please note that durability and operational safety of the engine depend to a large extent on its breaking-in. Always allow a cold engine to warm up for some minutes and never run it at full throttle at the beginning. Make sure the air filter is serviced regularly and to use clean fuel.

Please note: for the first 20 hours of operation (break-in period) do not use the engine at full power.



**Note:** For reasons of transport, the machine is not filled with engine oil!

**Before you operate the engine the first time, fill in engine oil!**



For this purpose, park the machine in such a way that the engine is in a horizontal position. For oil filling quantity and quality refer to "Specifications".

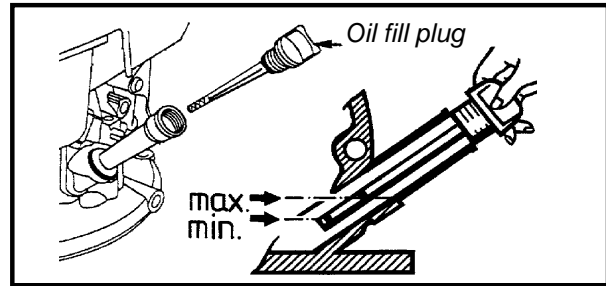
Check the oil level after filling.

#### Each time you take up operation

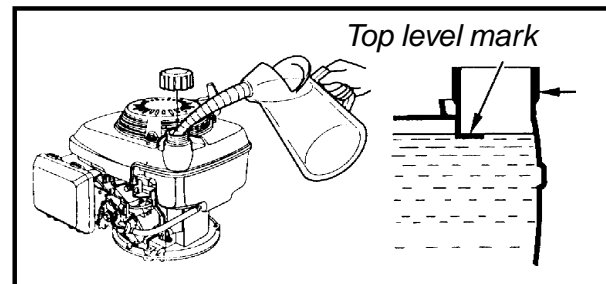
##### Check the engine oil level:

- Remove the oil fill plug (B/4).
- Clean the oil dip-stick with a clean rag, insert it again but do not screw it in.
- Remove the dip-stick and read the oil level. If necessary, fill engine oil up to the level mark "max".

Ensure the oil fill plug is tightly screwed into the filler neck during engine operation.



- Check whether sufficient fuel is filled into the tank



4

Do not fill the fuel tank to the point of spillage. Instead, top up fuel to the top level mark to allow the fuel to expand.



Be careful when dealing with fuel.

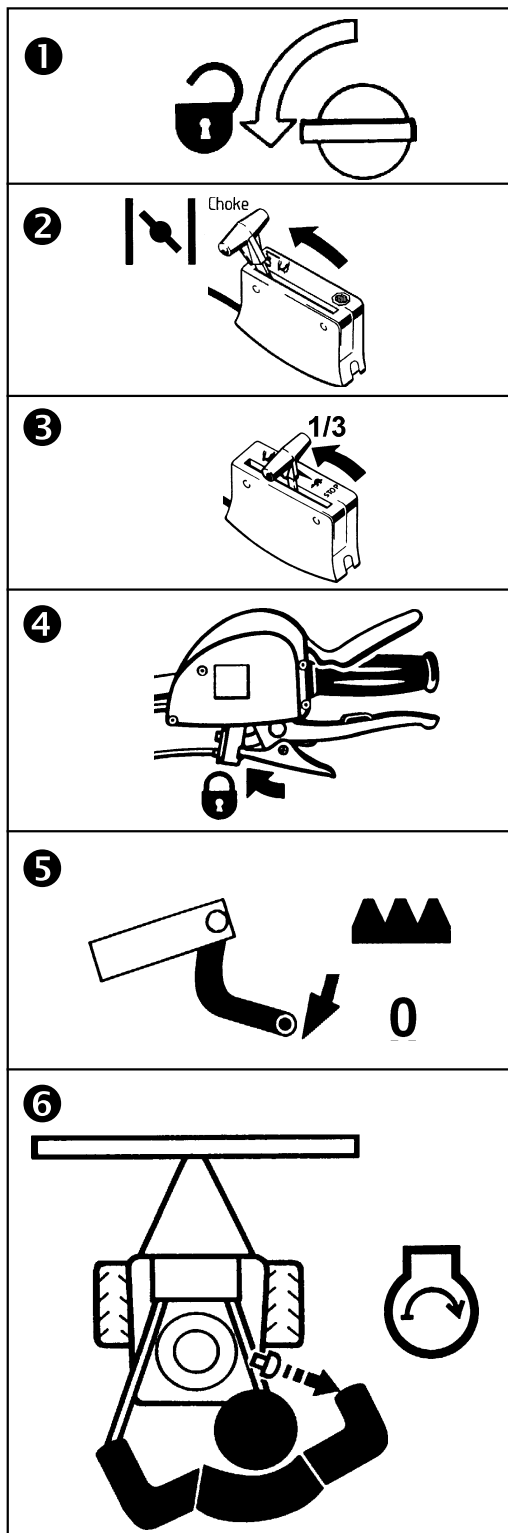
- Fuel is easily inflammable and explosive in certain conditions!
- Never refill close to open fire, inflammable sparks or hot engine parts.
- Do not refill in closed rooms.
- Before each fuel fill, shut off the engine and wait until it has cooled off.
- Do not smoke during filling and keep away from open fire and sparks.
- Do not spill any fuel, use a proper filling device. If fuel is spilled on the ground, ensure the area is absolutely dry and the vapours have evaporated before you start the engine.

## Starting the engine

(with the engine in horizontal position)

- Check whether all guards are in proper position.
- Move the steering handle to working position and tighten the knob screw.
- Only operate the machine on the area that needs mowing, do not turn it on on concrete or asphalted ground, etc.

**⚠ Do not start the engine in closed rooms. Exhaust fumes contain carbon monoxide which acts toxic when inhaled.**

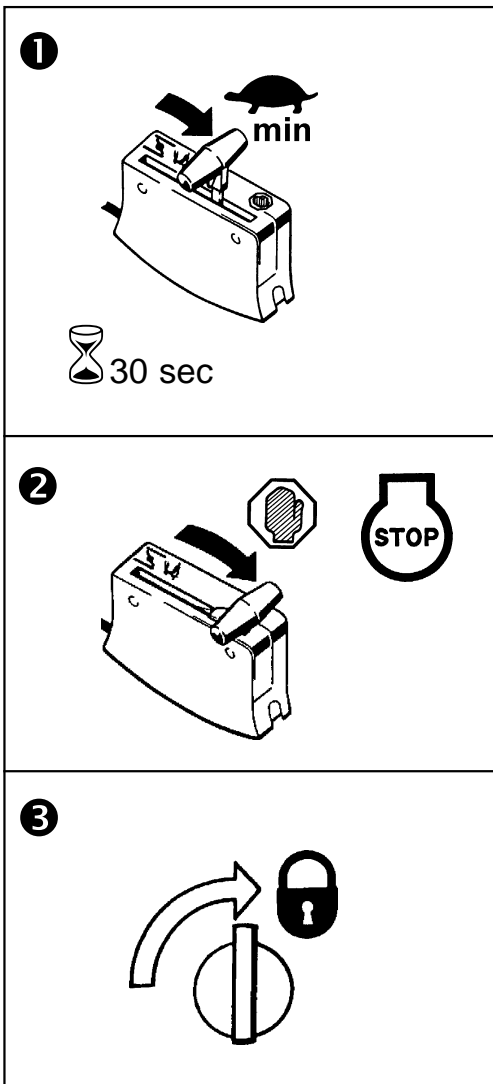


- 1 Open the fuel tap (C/11).
- 2 Set the speed control lever (A/5) to "START" ("CHOKE" | |) position.
  - Do not use the Choke when the engine is warm or in hot weather.
- 3 Move the speed control lever to 1/3 position.
- 4 Pull the clutch hand lever (B/2) and lock it with pawl (B/3) (start position).
- 5 Move the mowing drive lever (A/4) to position "0" (start position).
- 6 Pull the starting-rope on handle (C/2) until you feel the starter clutch engage. Then **pull hard and fast** to start the engine. After the start, let the rope glide back. Do not let it snap.

**⚠ Warning:** To start the engine, step behind the handlebar and pull the starter rope towards the rear. Keep your feet off the cutter bar. Keep off the danger zone.

4





### Shutting off the engine

❶ Set the speed control lever to idling position and let the engine run with idling speed for approximately 1/2 minute.

❷ Move the speed control lever completely to the STOP position.

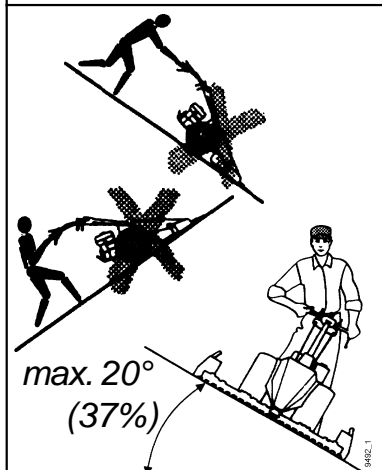
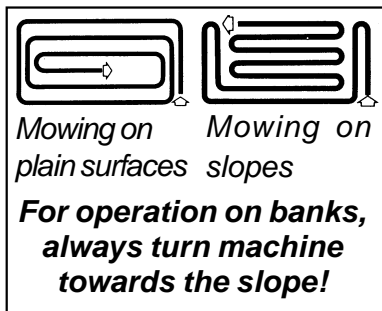
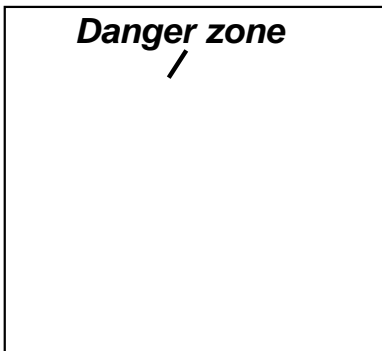
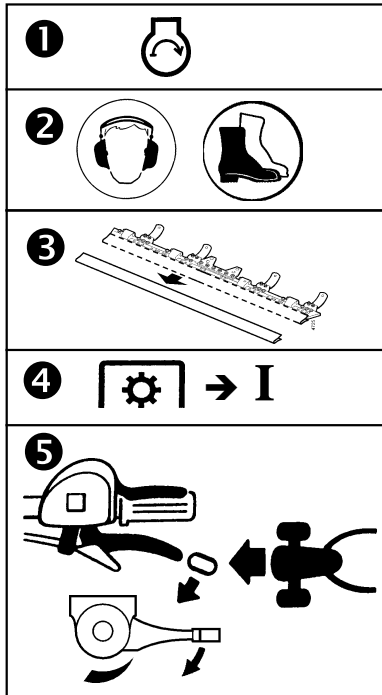
⚠ For shutting off the engine, do **not** set the control lever to the CHOKE position – risk of fire!

❸ Close the fuel tap.

4

#### Note:

ⓘ The speed control lever also serves as **engine shut-off lever**. When necessary, move the speed control lever to STOP to stop the engine.



## Mowing

**⚠ Check safety circuit function - Only operate the machine if safety circuit works!**

- 1 Start engine.
- 2 Wear individual protective ear plugs and solid shoes.
- 3 Remove the knife guard
- 4 Slowly move the mowing drive clutch lever (B/4) to position "mowing" and pull the throttle; the knife starts operating.
- 5 Slightly pull the transmission clutch lever (B/2), unlock the pawl (B/3) and release it slowly; the machine moves forward in mowing operation.

### After operation or in the event of blockages:

- Release the transmission clutch lever and lock the pawl; the mower will stop but the knife continues operating. This will remove any blockages from the cutter bar
- Move the mowing drive clutch lever (B/4) to "0"
- Shut off the engine
- Attach the knife guard

**⚠ If cleaning becomes necessary during work, shut off the engine and remove the spark plug connector for safety reasons.**

### Danger zone

**⚠ Keep out of the mower's danger zone during starts and operation.**

### Mowing on Slopes

**⚠ To prevent the grassland mower from sliding on slopes make sure it is secured by another person using a bar or a rope. This person must stay at a higher position than the vehicle and at a safe distance from the attachment at work.**

**If possible, always work across the slope.**

4

Apart from adhering to operating instructions for grassland mowers, it is also important to observe the following maintenance instructions.

**Warning:** Only do maintenance work with the engine shut off.

To prevent accidental start while working on the cutter bar or the engine, always remove the spark plug connector from the spark plug.

## Machine

### Worm Gear

The worm gear is permanently lubricated. Lubricating and servicing is not necessary.

### V-Belts

Inspect the condition of the V-belts at least once per year.

- Remove the mowing drive hood. To this end, remove the 3 attachment bolts.

- If the V-belts are worn, replace them

**Only use original agria V-belts!**

– see “wear parts”

For V-belt replacement and the following adjustment,

**→agria - Service←**

## Checking and Adjusting Clutch Play

### Wheel drive

For smooth V-belt clutch operation ensure the play  $X$  on each clutch lever (B/2) is 2–3 mm. Check the clutch play while the drive is engaged.

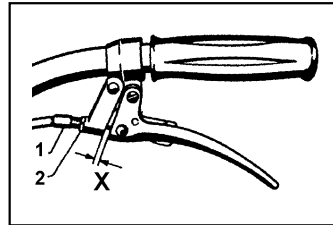
Also ensure that the transmission is disengaged when the lever is in position “0”.

If the clutch play needs further adjustment, set it on the cable-setting screw.

### Precision adjustment

- Undo locking nut (2)

- Adjust the setting screw (1) in such a way that the play on the clutch control lever is  $X = 2-3$  mm.

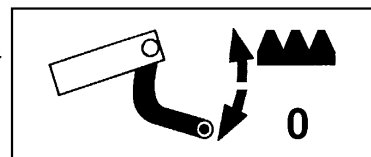


- Retighten the locking nut (2)

### Mowing drive

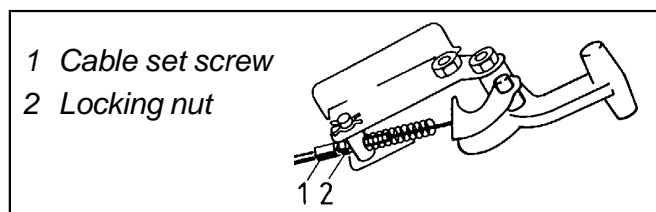
Mowing drive clutch lever (B/4) adjustment:

- The mowing drive is engaged when the lever is in top position; the V-belt must not slip in operation.

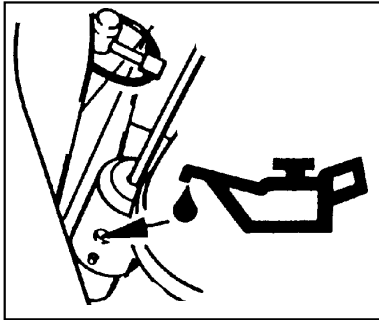


- The mowing drive is disengaged when the lever (B/4) is moved down (position “0”).

If necessary, adjust the lever by setting the screw accordingly.



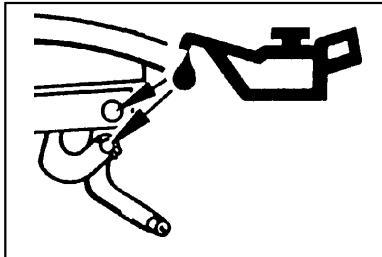
**5**



### Locking bolts on steering handle

To ensure the steering handle moves easily when adjusted to the side:

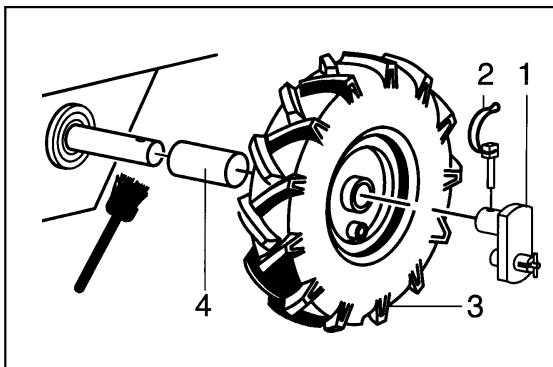
- Apply some bio-lubricating oil through the hole at least **once per year** or after cleaning the machine with the pressure washer.
- Apply some bio-lubricating oil to the bearing on the mowing drive clutch lever (B/4) through the hole at least once per year or after cleaning the machine with the pressure washer.



### Drive-wheels

- Check the tyre pressure periodically. In particular, ensure that both tyres have equal pressures to give smooth riding.
- Attach the wheels with the pointed part of tread lugs showing in travel direction (seen from above) to obtain full traction.

- Watch the wheel shaft for grass winding around it and remove the grass, if necessary, by removing the wheels.



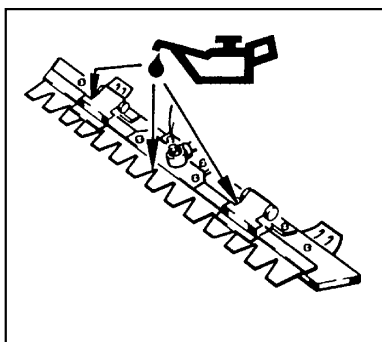
### Wheel Shaft

Apply bio-lubricating grease to the wheel shaft around the hub each time the machine was cleaned with a pressure washer or at least once per year.

5

### Mowing Attachment

The cutter bar is exposed to extreme strain. Therefore, it evidently must be maintained and adjusted with special care.



- **Each time before you take up operation** and at intervals of **8 operating hours**, lubricate all gliding parts with bio-lubricating grease or bio-lubricating oil.
- At intervals of approximately **30 minutes** of operation re-tighten all nuts and bolts on the mowing drive and cutter bar (especially on the knife driver).

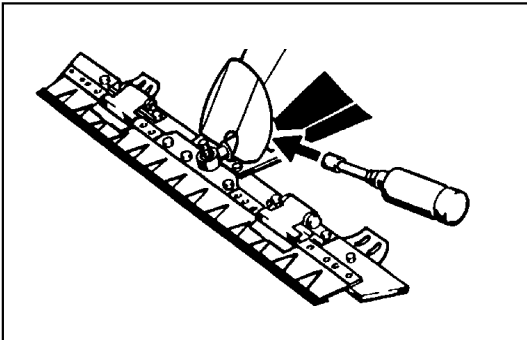
## Cleaning

After each mowing operation clean the cutter bar thoroughly with water. To this end, take off the knife to ensure any dirt collected between the blades is removed. After cleaning, apply bio-lubricating oil or bio-lubricating grease to all gliding parts.

For longer storage, spray the cutter bar with Bio-slushing oil.

## Knife Driver Pin

Lubricate the nipple on the driver pin with bio-lubricating grease at intervals of **25** operating hours or **once per year**, depending which period is completed first. Also lubricate it each time the cutter bar is attached and after each cleaning with a pressure washer.



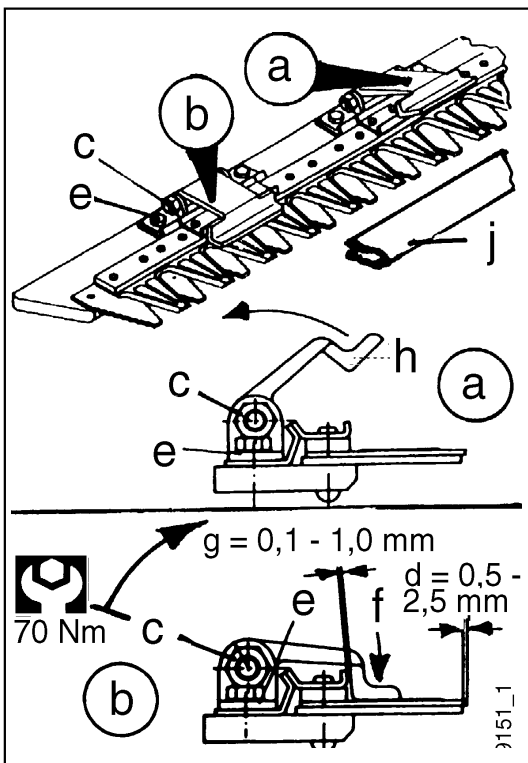
## O-ring

Check and replace, if necessary, the o-ring on the front end of the rocker arm each time you maintain the cutter bar and when mounting it to the machine (agria no. 722 76).

## Carrier Pin

Grease the cutter bar carrier pin with bio-lubrication grease each time you attach the cutter bar and after each cleaning with a pressure washer.

5



## Setting the Knife Guiding Devices

To adjust blade protrusion (d) and play (g) loosen clamping screws (c) and attachment bolts (e) to change the position of the knife guides accordingly. Ensure the individual guiding parts are parallel. First tighten the attachment bolts (e) and then the clamping screws (c) very well (**70 Nm**) while you simultaneously press the knife holders in the direction indicated by the arrow (f) using a long ring spanner.

## Grinding the Mowing Knives

**⚠ Wear safety goggles and gloves!**

After **4–20 operating hours**, depending on the wear on the knives, these become dull and regrinding is necessary.

For this purpose, we recommend using a hand grinder of 15,000 – 20,000 rpm with a pot-shaped grinding pin of 25 mm in diameter and approx. 35 mm in length or a special grinding tool.

Grinding the knives is essential for a clean and smooth operation.

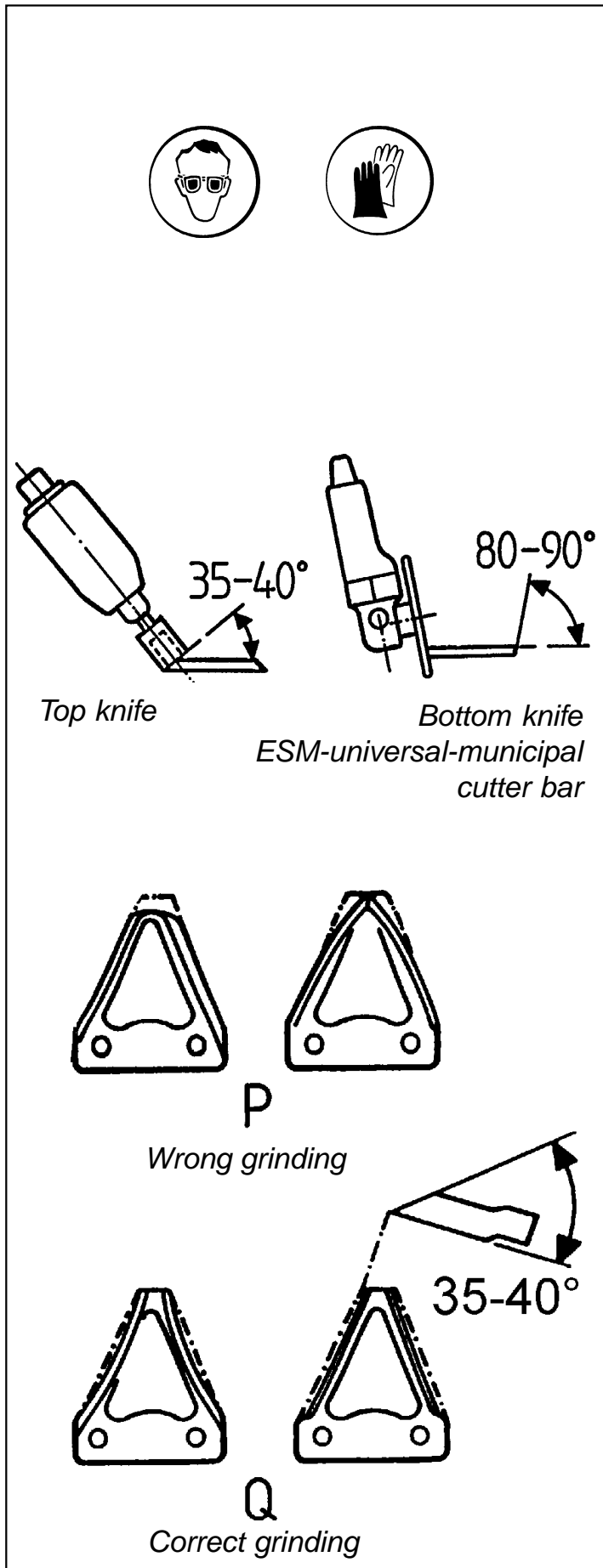
- Grinding is done using the front of the grinding pin only, guiding it from the back of the knife to the tip of the blade.

- Blades must not heat in the process. They are destroyed when they turn blue (glowed out and soft).

- Do not round off the blade tips (P).

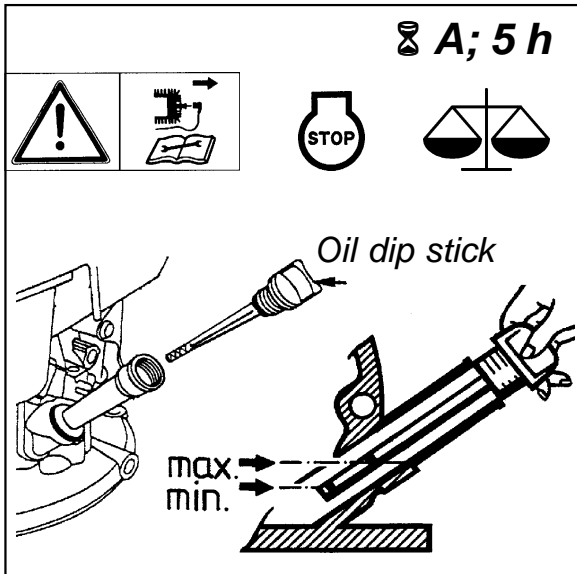
- Do not grind the blades in a curve (P).

- Use a grinding stone to remove any burr.



5

## Engine



### Checking the Engine Oil Level

**Before each operation and after 5 operating hours!**

- Only with the engine shut off and in horizontal position.
- Clean the oil fill plug (C/4) and its immediate surrounding.
- Remove the oil fill plug, clean the dipstick with a clean rag and re-insert it all the way – do not screw it in.

- Remove the dip-stick and read the oil level.
- Refill oil, if the oil level is below the lower dip-stick mark. Refill engine oil (see “Specifications”) up to upper level mark on dip-stick.

### Changing the Engine Oil

**For the first time after 5 operating hours, after that after every 50 operating hours or annually (whatever comes first). Under high loads or at high temperatures, change the oil already after 25 operating hours.**

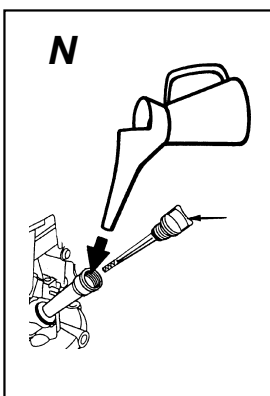
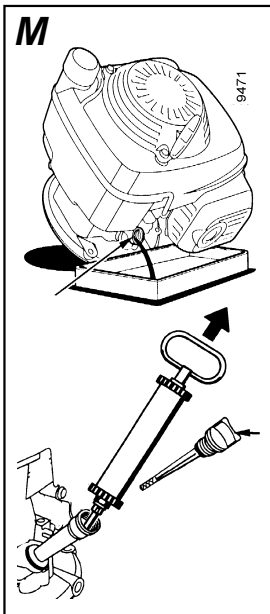
- Drain and filler plug (C/4).
- To drain the oil, pivot the steering handle upwards. Tilt the mower backwards and to the left. Then drain the oil into a suitable container (fig. M). (We recommend to drain the fuel through the filler neck into a fuel can before draining the oil). Alternatively, use a suction pump to pump the oil from the machine.

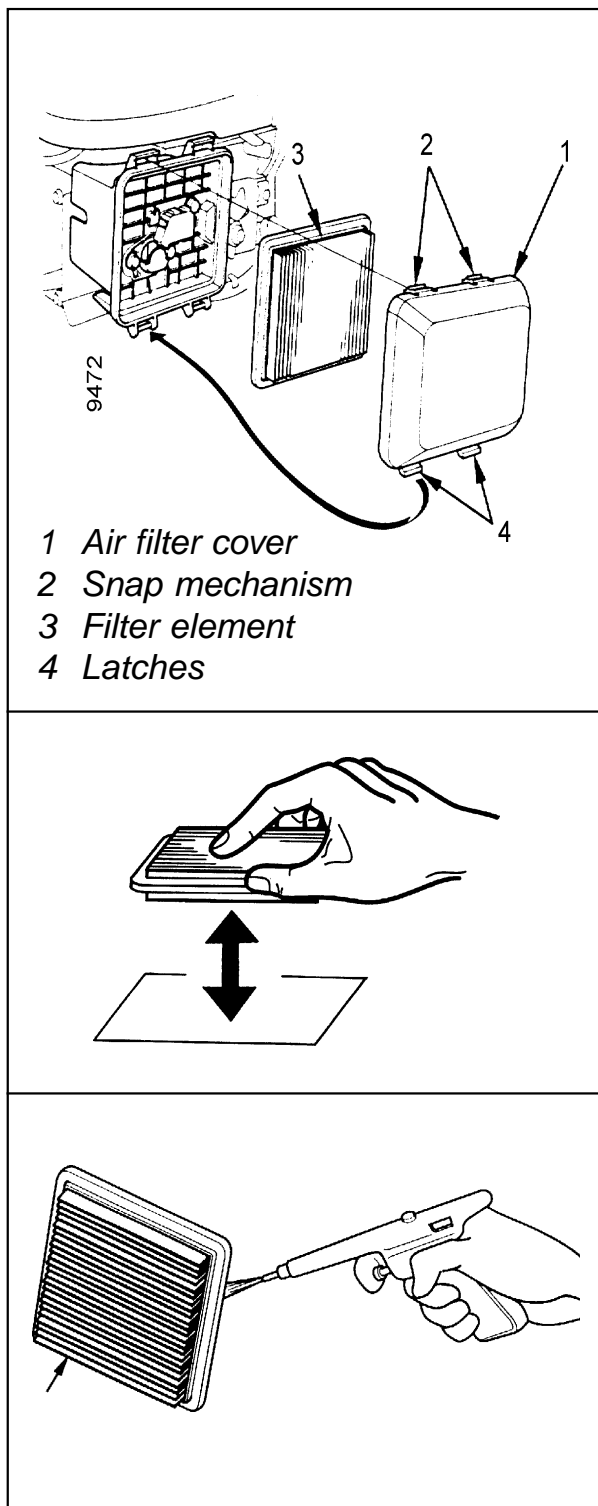
- Dispose of the waste oil properly!

- Fill in fresh engine oil. For oil filling capacity and quality see specifications.

Fill in the oil using a funnel or similar device if possible (fig. N).

Only change oil while the engine is still warm, but not hot – **danger of burns!**





- 1 Air filter cover
- 2 Snap mechanism
- 3 Filter element
- 4 Latches

### Air Filter

Clean the air filter insert at **3-month intervals** but not later than **25 operating hours** (earlier in very dusty conditions). To do this, proceed as follows:

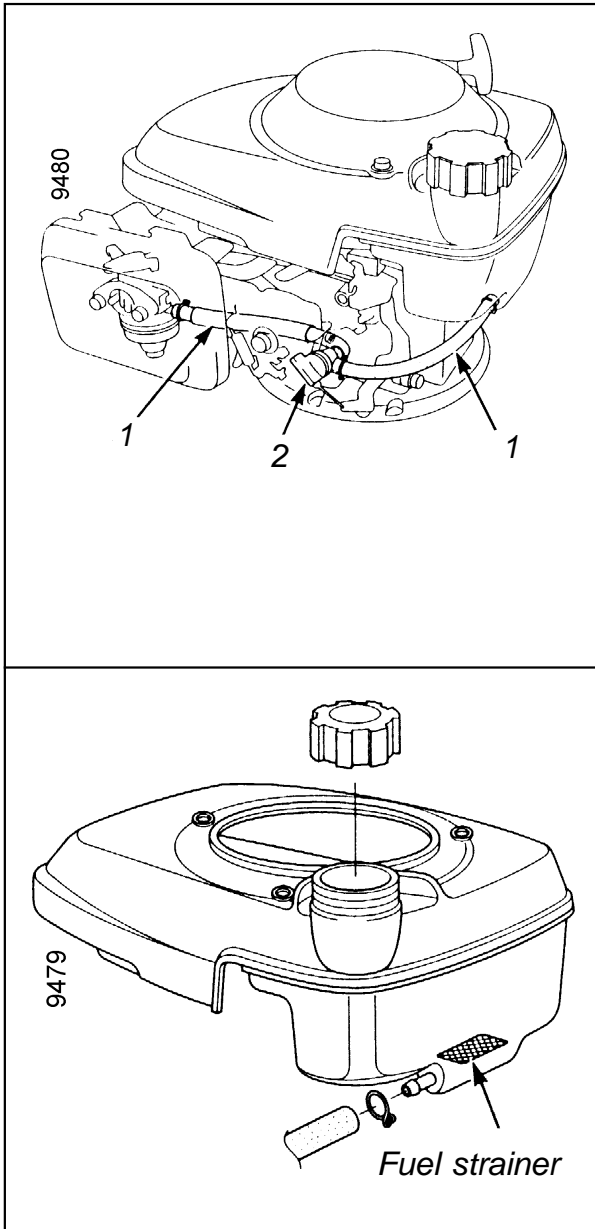
- Clean the air filter and its surrounding area.
- Open the snap mechanism (2), fold down the filter cover (1) and remove it.
- Remove the paper element (3).
- Tap the element against a smooth surface or blow compressed air against the inside of the filter.

**Never brush the filter because this would press the dirt into the fibres.**

- Replace the filter element if it is extremely dirty.
- Inspect the filter element carefully for holes or other damage and replace it if necessary.
- Replace the filter element
- Attach the cover and snap the latches (4) into place.

**i** Do not wash the paper element (tap it or blow it out)





## Fuel System

- Each time you maintain the machine, check fuel hose, fuel tank, and carburetor for leakages and repair, if necessary. Immediately replace leaking or porous fuel hoses.

- Replace fuel hoses after every 2 years.

- Clean the fuel tank at 100-hour intervals.

**→agria - Service←**

- Clean the fuel strainer at 100-hour intervals.

To do this, drain all fuel into a suitable container.

Clean the fuel strainer with a cleaning solvent and inspect it for damage.

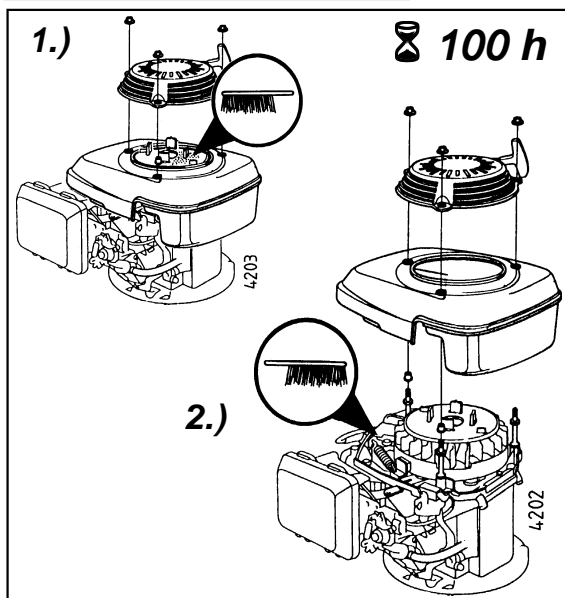
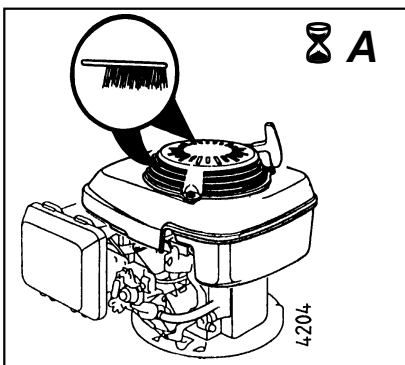
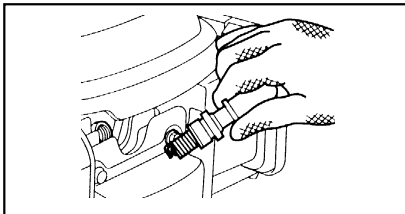
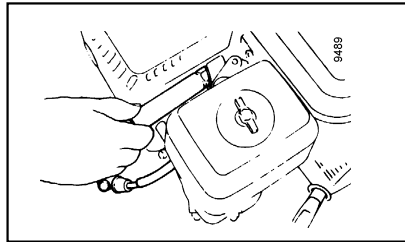
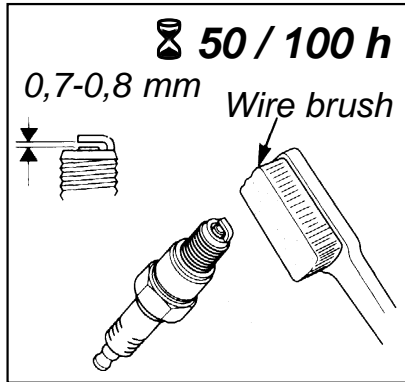
Replace the fuel strainer.

**→agria - Service←**

## Excessive Fuel Supply

- After excessive fuel supply to the engine, remove the spark plug, clean and dry it. Then crank the engine with the recoil starter a number of times. Afterwards screw the spark plug in and move the speed control lever to "VOLLGAS"/"FULL THROTTLE". Then start the engine via the recoil starter.

**5**



## Spark plug

- After **50** operating hours, clean the spark plug and re-adjust the electrode gap to 0.7–0.8 mm. Only clean the spark plug using a wire brush and wash it out with a commercial cleaning agent.
- Replace the spark plug at **100-hour intervals** or when it shows significant wear or if the insulator is damaged.

### Correct spark plug assembly:

Screw the spark plug into the cylinder head by hand. Then continue with a spark plug wrench. Turn wrench at 90° or at a torque of 20...30 Nm.

### Checking the ignition sparks:

Remove the spark-plug, clean it and place it back into the plug connector. Use the lateral electrode to make contact with the engine, pull the starter rope and wait for sparking. If there are no sparks, replace the spark plug.

## Cleaning the cooling fan grille

After prolonged operation, the cooling system may become clogged by dirt etc. To avoid any overheating and damage to the engine, regularly clean the cooling fan grille (B/3).

Check before each operation!

## Air cooling system

1) Clean the rotating strainer at **50-hour intervals** as a minimum (earlier in very dusty and trashy conditions). To do this, remove the recoil starter. See the illustration below.

2) Clean the internal cooling fins and surfaces at **100-hour intervals** as a minimum (earlier in very dusty and trashy conditions). → **agria - Service** ←

### Governor

For smooth engine performance keep governor linkages, springs and actuating devices clean and free from dust and dirt. Do not bend or twist parts. (Governor linkages on carburetor C/6).

### Exhaust system

Regularly clean the area around the exhaust (C/9) from grass, dirt, and inflammable deposits.

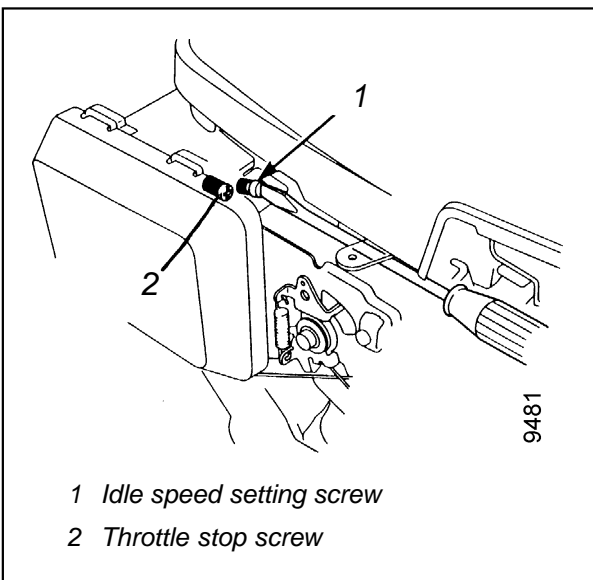
– **Risk of fire!**

Check before each operation.

### Speed Control

Devices for actuating engine speed must be adjusted correctly to start, operate and shut off the engine at correct speed rates.

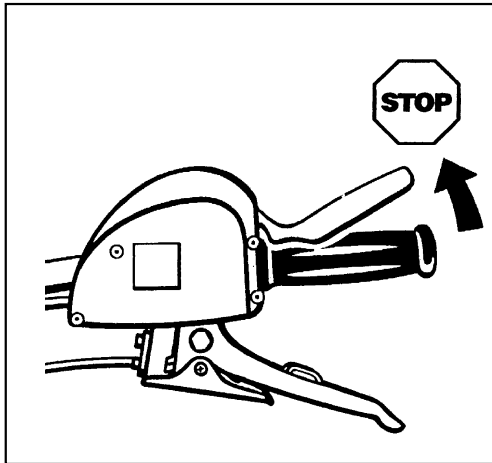
→ **agria - Service** ←



### Carburetor settings

To compensate for fuel, temperature, height or load variations, a slight carburetor re-adjustment may become necessary. Only let the engine run with the air filter and air filter cover mounted.

→ **agria - Service** ←

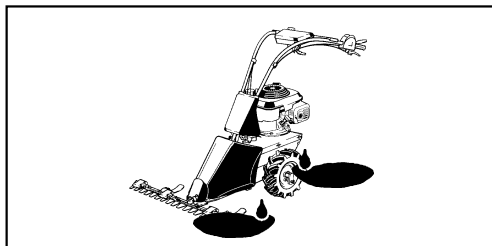


## Safety circuit

Check the safety circuit function each time you maintain or service the machine.

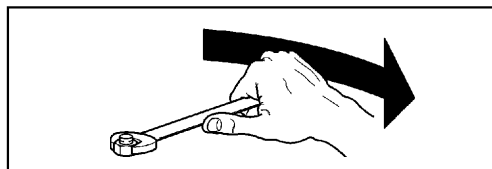
- Upon release of the handle (B/1) and with clutch engaged the engine must come to a stop.
- Check the electric lines and connections for good condition, replace, if necessary.

→agria - Service←

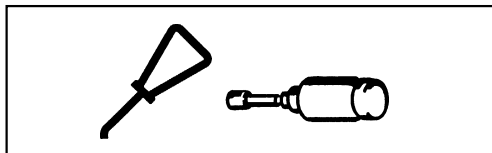


## General

- Before you take up operation watch out for fuel and oil leakage and repair, if necessary.



- Regularly check bolts and nuts for tight fit and retighten, if necessary.



- Slightly grease all gliding and moving parts (e.g. speed control lever, hand lever bearing, etc.) with Bio-lubricating grease and Bio-slushing oil (refer to “Lubrication Chart”, page 42).

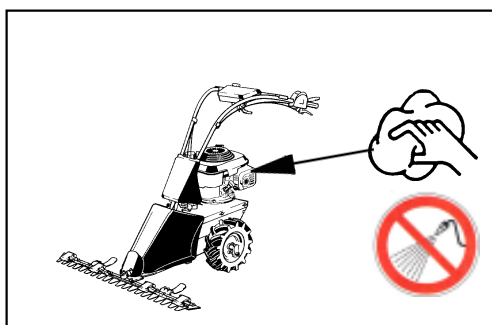
5

## Cleaning

After each cleaning (washing with water, especially with pressure washer) lubricate all lubrication points, oil and let the mower run for a short time to press water out.

Apply grease generously to leave a grease ring around bearings to prevent water, plant sap, and dirt from penetrating.

**Clean the engine only with a cloth.** Avoid spraying with air-compressed water jets, as water might leak into ignition and fuel system, causing malfunctions.



## Storage

**For longer periods of no operation:**

**a) Clean thoroughly, repair paint coat**

**b) Spray all shining parts, in particular cutter bar, with Bio-slushing oil.**

**c) Engine preservation**

- Drain the fuel completely from the system and let the engine run until it comes to stop due to lack of fuel **or** fill the fuel tank, add fuel stabilizer (agria No. 799 09) to the fuel tank

**- Observe instructions**

Operate the engine for approx. 1 minute.

- Change the engine oil.
- Fill a tea-spoon (approx. 0.03l) of engine oil into spark plug opening. Slowly crank the engine.
- Reinstall the spark plug and set the piston to compression with the recoil starter to keep the valves closed.
- Slowly crank the engine every 2–3 week (spark-plug connector is removed). Then set the piston to compression again.

**d) Drive-wheels**

Support drive-wheels in such a way that tyres have no ground contact. Pneumatic tyres are quickly destroyed, if left standing under load and uninflated.

**e) Disengage drives**

Always store the mower with all drives disengaged (position "0") to avoid clutch problems.

**f) Storing the machine**

To avoid severe corrosion:

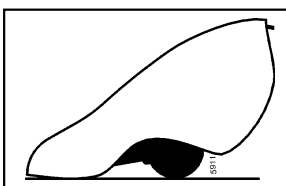
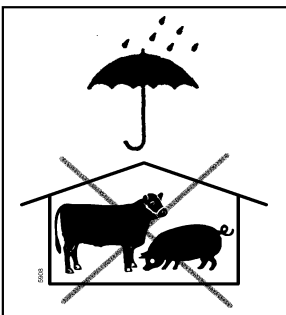
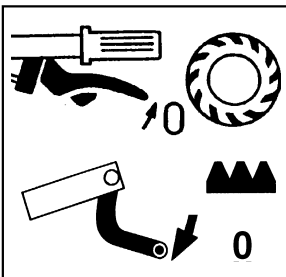
- to preserve the machine from atmospheric influences

Do not park the machine in:

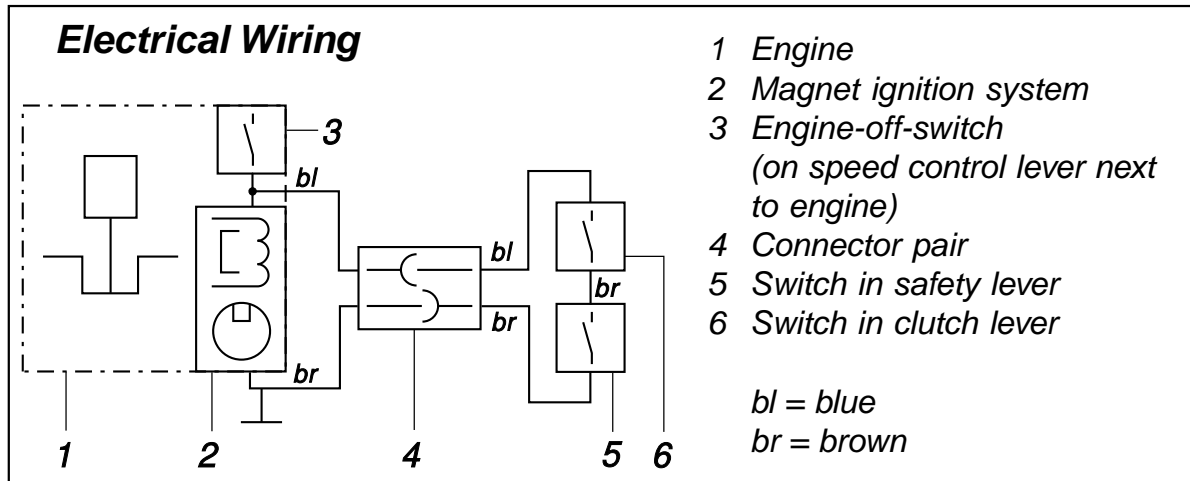
- humid rooms
- in rooms where fertilizer is stored
- in stables or adjacent rooms.

**g) Protect machine**

with cloth or a similar cover.



**5**



5

---

## agria Order No.

799 09 Fuel stabilizer pouch 5 g

## Varnishes

181 03 Spray varnish birch-green spray tin 400ml

712 98 Spray varnish red, RAL 2002 spray tin 400ml

509 68 Spray varnish black, RAL 9005 spray tin 400ml

## Wear Parts

761 98 Air filter element

759 99 Spark plug NGK BPR 6ES; BOSCH WR 7 DC

722 85 V-belt for transmission

754 58 V-belt for mowing drive

754 57 Reverse gear V-belt

724 66 O-ring for driver pin

## Emergency Tyre Repair:

713 13 Tyre repair gel bottle 1l

## Spare Parts List

997 132 Grassland mower Rabbit 5100

997 145 Honda Engines

## 6. Troubleshooting



**Observe safety instructions!** Have all serious malfunctions on the machine or engine repaired by your agria workshop. They have the proper tools. Improper repairs can only add to the damage.

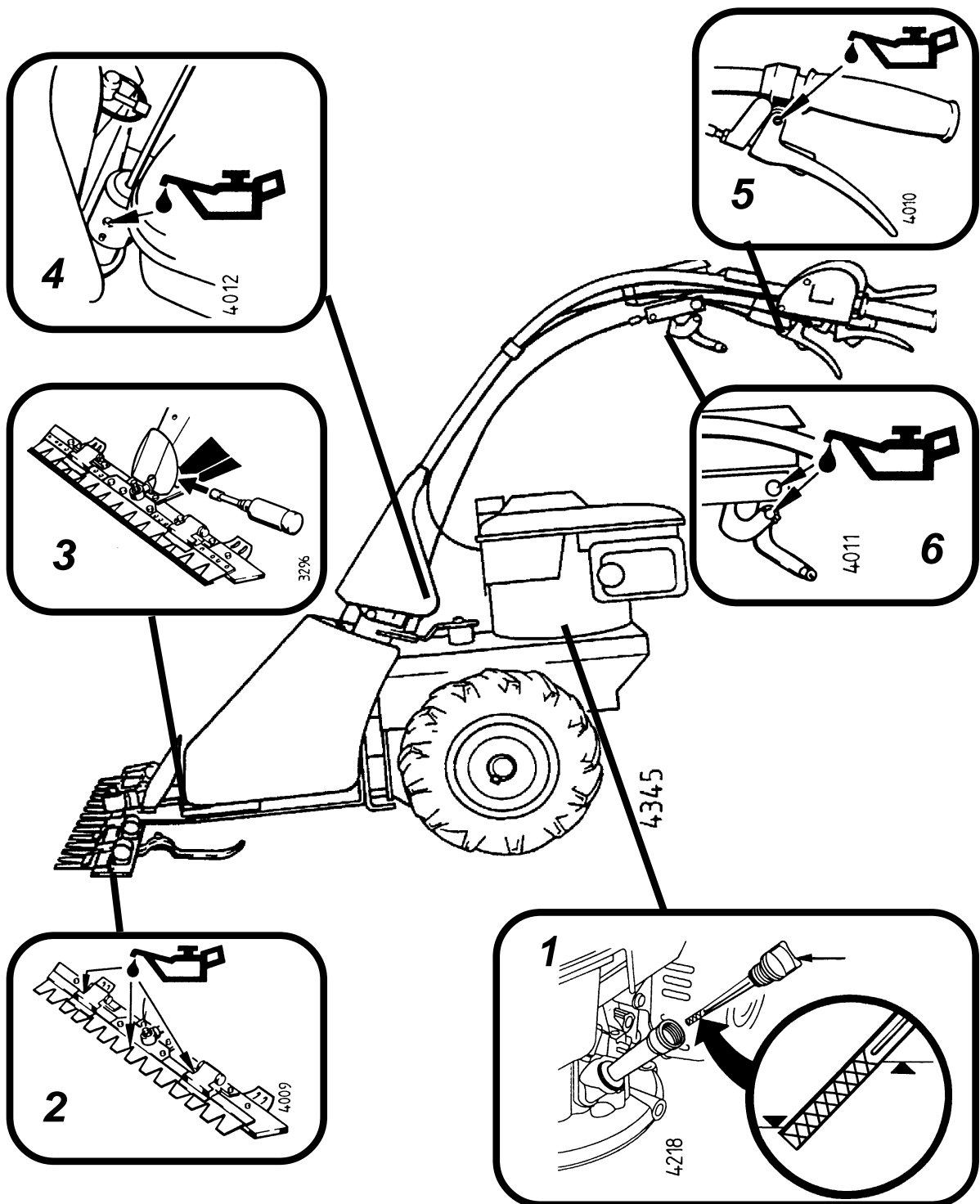
<b>Problem</b>	<b>Possible cause</b>	<b>Remedy</b>	<b>Page</b>
Engine does not start	- Spark plug connector not connected	Connect spark plug connector	
	- Speed control lever not in position CHOKE	Move speed control lever to position "CHOKE"	24
	- Fuel tank empty or poor fuel	Fill fresh fuel	23
	- Fuel line clogged	Clean fuel line	
	- Defective spark plug	Clean, adjust or exchange spark plug	34
	- Engine too much fuel ("flooded engine")	Dry and clean spark plug and start at FULL THROTTLE	33
	- Inleaked air due to loose carburetor and suction line	Tighten attachment bolts	
Misfirings in engine	- Engine running in CHOKE range	Move speed control-lever to operating position, if necessary, adjust speed control	24 ★ 35
	- Loose ignition cable	Fit connector tightly on ignition cable, fix ignition cable retaining device, fit connector tightly on spark plug	
	- Clogged fuel line or poor fuel	Clean fuel line, fill fresh fuel	23
	- Vent opening in fuel tank cap clogged	Exchange fuel tank cap	
	- Water or dirt in fuel system	Drain fuel and fill fresh fuel	
	- Air filter clogged	Clean air filter or exchange	32
- Carburetor misadjusted	Re-adjust carburetor	★ 35	
Excessive temperature in engine	- Low engine oil level	Refill oil immediately	31
	- Impaired cooling	Clean cooling fan grille, clean internal cooling fins	34 ★ 34
	- Air filter clogged	Clean air filter	32
	- Carburetor misadjusted	Re-adjust carburetor	★ 35
Misfirings in engine at high speeds	- Short firing intervals	Adjust spark plug	34
	- Incorrect idle mix	Adjust carburetor	★ 35
Engine frequently stalls in idle	- Firing interval too long, defective spark plug	Adjust or replace spark plug	34
	- Carburetor misadjusted	Re-adjust carburetor	★ 35
	- Air filter clogged	Clean air filter	34
Engine does not run smoothly	- Speed control linkages are clogged or jammed	Clean speed control linkages	35



## 6. Troubleshooting

<b>Problem</b>	<b>Possible cause</b>	<b>Remedy</b>	<b>Page</b>
Engine does not stop when set to stop	- Speed and engine stop are not properly adjusted	Readjust speed control	* 35
Engine output too low	- Loose cylinder head or damaged gasket - Poor compression - Air filter clogged	Tighten cylinder head, exchange gasket Have engine checked Clean the air filter	* * 32
Wheel drive or mowing drive does not stop with clutch pulled	- Incorrect hand clutch lever adjustment	Adjust hand clutch lever	* 27
Excessive vibration	- Attachment bolts loosened - Mowing knife loosened, warped or incorrectly adjusted	Tighten attachment bolts Immediately turn off engine! Check cutter bar carrier, knife driver, all bolts and nuts for tightness, exchange damaged parts, adjust knife guides	36 29
Uneven cut/ plant trash gets caught between knives	- Dull mowing knives - Knife guides not properly adjusted - Knives not straight - Blades are not aligned - Blades are not on top of each other	Re-grind mowing knives Adjust knife guides Have knives re-aligned or exchanged Have blades re-aligned Have cutter bar re-aligned	30 29 * * *
Blade tips of bottom knife work into blades of top knife	- Top knife protrudes too far over bottom knife	Adjust knife guides and wear plates	29

\* = For this purpose contact your agria workshop.



- 1 Engine oil (page 31)
- 2 Mowing knife and knife guiding devices (page 28 and 29)
- 3 Driver pin (page 29)
- 4 Steering handle locking bolt (page 28)
- 5 Hand lever bearing
- 6 Bearing on mowing drive clutch lever (page 28)
- 7 Wheel shaft (page 28)

	P	A	After operating hours						min. every 3 months	min. yearly	B	page
			5	8	25	50	100	250				
Check safety circuit function		K									36	
Check free play of hand levers		K									27	
Check air filter		K									32	
Clean cooling grille		K									34	
Clean exhaust		K	K								35	
Check engine oil level, refill, if necessary	1	K	K								31	
Cutter bar: Lubricate all gliding parts, also, each time you change knives	2	K		K						K	28	
First engine oil change	1		W								31	
subsequent oil changes	1				W						31	
Cutter bar: Check play of knife guides, also, each time you change knives	2			K							29	
Clean engine, check bolts and nuts					K						36	
Grease driver pin, also, each time you fit the cutter bar	3				K					K	29	
Check o-ring on rocker arm					K						29	
Clean air filter insert					W			W			32	
Regrind knives, earlier if required					W						30	
Replace air filter insert, earlier, if required						W					32	
Clean spark plug, adjust gap						W					34	
Replace spark plug							K				34	
Clean guide plates, cooling fins, earlier, if required							W				34	
Lubricate all gliding parts	5,6								K	K	36	
Grease wheel-shaft	7								K	K	28	
Grease steering handle bearing	4								W	W	28	
Replace fuel hoses									W*		32	

A = Each time before you take up operation

B = After each cleaning

K = Checks and maintenance to be executed by operator

W = Maintenance to be executed by professional workshop

P = Position lubrication chart

\* = after 2 years

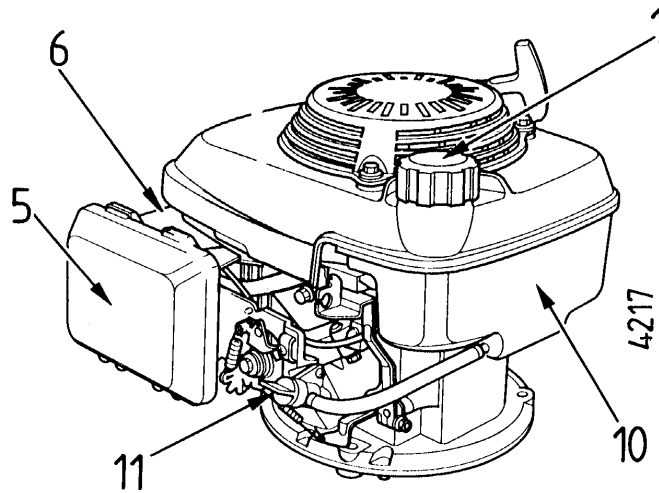
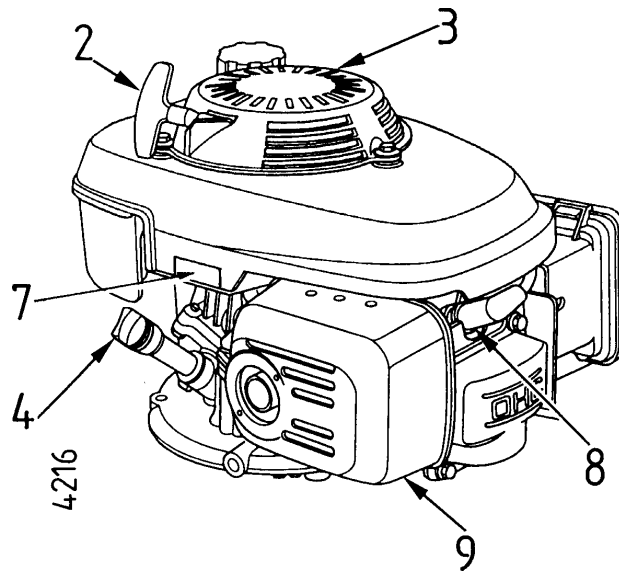


### ***Fig. C***

*Engine Honda GCV160*

- 1 Fuel tank cap*
- 2 Starter handle*
- 3 Air strainer*
- 4 Oil fill plug, dip-stick*
- 5 Air filter*
- 6 Carburetor / speed control governor*
- 7 Engine type no. / identification no.*
- 8 Spark plug / spark plug connector*
- 9 Exhaust with guard*
- 10 Fuel tank*
- 11 Fuel tap*

Fig. C



## EG-Konformitätserklärung EC Declaration of Conformity

## CE Déclaration de conformité EG conformiteitsverklaring

(D)

Wir

(F)

Nous

(GB)

We

(NL)

Wij

erklären, dass das  
Produkt

**Balkenmäher**

mit allen einschlägigen  
Bestimmungen der EG-  
Maschinenrichtlinie  
2006/42/EG in  
Übereinstimmung ist.  
Die Maschine ist auch in  
Übereinstimmung mit allen  
einschlägigen  
Bestimmungen der  
folgenden EG-Richtlinien:  
2004/108/EG,  
2000/14/EG.

Folgende harmonisierte  
Normen (oder Teile davon)  
oder techn. Spezifikatio-  
nen wurden angewendet:

Angewandtes  
Konformitätsbewertungs-  
verfahren:

Name und Anschrift der  
beteiligten benannten  
Stelle:

Gemessener  
Schalleistungspegel:

Garantierter  
Schalleistungspegel:

déclarons que le produit

**Faucheuse à barre de  
coupe**

est conforme à toutes les  
exigences respectives  
selon la directive relative  
aux machines 2006/42/CE.

La machine est aussi  
conforme à toutes les  
exigences respectives  
selon les directives CE  
suivantes:  
2004/108/CE,  
2000/14/CE.

Les normes harmonisées  
(ou extraits de celles ci) ou  
les spécifications  
techniques suivantes ont  
été appliquées:

**EN 12733: 2001 + A1: 2009; EN ISO 14982: 1998**

La procédure appliquée  
pour l'évaluation de la  
conformité:

**Anhang VI**  
Le nom et l'adresse de  
l'organisme notifié:

**DLG e.V., Max Eyth-Weg 1, D-64823 Groß-Umstadt**

Le niveau de puissance  
acoustique mesuré:

Le niveau de puissance  
acoustique garanti:

herewith declare that  
the product

**Cutter bar mower**

conforms to all relevant  
specifications of the  
Directive on Machinery  
2006/42/EC.

It is also conform to all  
relevant specifications of  
the following EC directives:  
2004/108/EC,  
2000/14/EC.

Following harmonized  
standards (or parts of it) or  
technical specifications  
have been applied:

Conformity assessment  
procedure followed:

**Name and address of  
the notified body  
involved:**

Measured sound power  
level:

Guaranteed sound  
power level:

**100 dB(A)**

verklaren dat het  
produkt

**Balkmaaier**

voldoet aan de  
desbetreffende bepalingen  
van de EG-machinerichtlijn  
2006/42/EG.

De machine voldoet ook  
aan de desbetreffende  
bepalingen van het  
volgende EG-richtlijnen:  
2004/108/EG,  
2000/14/EG.

De volgende  
geharmoniseerde normen  
(of delen ervan) of  
technische specificaties  
werden toegepast:

Gevolgde  
overeenstemmings-  
beoordelingsprocedure:

**naam en adres van de  
betrokken aangemelde  
instantie:**

Gemeten geluids-  
vermogensniveau:

Gewaarborgd geluids-  
vermogensniveau:

Möckmühl, den 11.02.2010

Siegfried Arndt  
Geschäftsführer  
Directeur  
Managing Director  
Bedrijfsleider

Rudolf Tigges  
Leiter Entwicklung & Konstruktion  
Responsable développement et études  
Head, Research and Development  
Hoofd ontwikkeling en constructie

Herr Tigges ist bevollmächtigt die technischen Unterlagen zusammenzustellen.

Monsieur Tigges est habilité à agencer la documentation technique.

Mr. Tigges is authorized to assort the technical documents.

De heer Tigges is gemachtigd om de technische documentatie op te stellen.

Anschrift/adresse/address/adres: agria Werke GmbH, Bittelbronner Str. 42, D-74219 Möckmühl



**agria-Werke GmbH**

*Bittelbronner Straße 42*

*D-74219 Möckmühl*

*Tel. +49/ (0)62 98/39-0*

*Fax +49/ (0)62 98/39-111*

*e-mail: [info@agria.de](mailto:info@agria.de)*

*Internet: [www.agria.de](http://www.agria.de)*

*Your local **agria** specialist dealer:*