

镜头 使用说明书

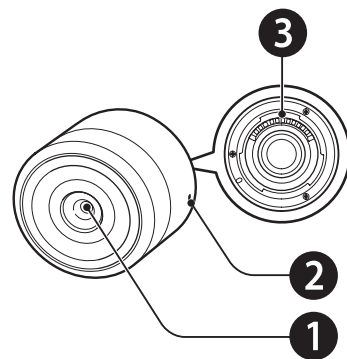
SAMSUNG NX-M 17mm F1.8 OIS

此说明书专门为指导您了解镜头基本功能和特征而设计。为保证安全、正确地使用，请仔细阅读此说明书。

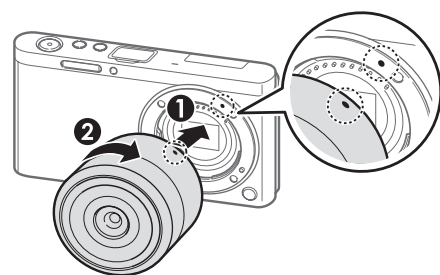
AD68-08568A (1.0)



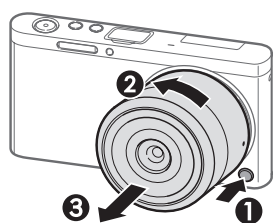
A



B



C



使用本设备前

感谢您购买三星镜头。为在使用本镜头时获得最佳性能，您必须保持相机的固件和镜头的固件最新。请访问 www.samsung.com 以下载固件。NX-M 接口镜头与之前的 NX 相机不兼容。

特殊功能

此金属镜头小巧、轻便且易于携带。镜头随附 F1.8 光圈和光学图像稳定功能以帮助您拍摄更清晰、明亮和鲜艳的照片。

拆开包装

镜头、镜头盖、使用说明书

各部位名称 (见图 A)

① 镜头 ② 镜头连接指示 ③ 镜头触点

安装和卸下镜头

► 要安装镜头：

- 1 移除机身盖和镜头盖。
- 2 将镜头上的镜头连接指示与相机机身上的镜头连接指示对齐。然后如图所示旋转镜头，直到其锁定到位。（见图 B）

若要卸下镜头，请先关闭相机电源。按住镜头释放按钮，然后如图所示旋转镜头。（见图 C）

规格

镜头名称	SAMSUNG NX-M 17mm F1.8 OIS
焦距	17 mm (在 45.9 mm 格式中相当于 35 mm)
镜头构成	8 组, 5 元件 (随附 2 个非球面镜头、1 个极高折射镜头)

查看角度	50.5°
光圈	F1.8 (最小: F11), (叶片数: 5、圆孔径光阑)
接口类型	三星 NX-M 接口 (NX mini 系列专用)
光学图像稳定	支持
最小对焦范围	0.18 m
最大放大倍率	约 0.11X
镜头遮光罩	不支持
滤光镜尺寸	39 mm
最大直径 X 长度	50.0 X 27.5 mm
重量	约 55 g
操作温度	0 - 40 °C
操作湿度	5 - 85 %

健康与安全信息

请仔细阅读下列安全注意事项以确保正确和安全使用。

- 警告** 不要通过镜头或相机看太阳。否则可能会严重损伤您的眼睛。使您的镜头或相机远离儿童和宠物。
- 注意** 不要在未安装镜头盖的情况下，将镜头放在阳光直射的地方。直射的阳光通过镜头后聚焦在易燃物上可能导致火灾。请仅使用坚固的三脚架。轻型或不稳定的三脚架可能会倒塌并损坏相机。

镜头的存储和维护

- 请在干燥、通风的地方存放镜头。
- 请勿将镜头存放在温度或湿度过高的区域，或者放置于壁橱、车辆或存放化学品的密闭区域。
- 请勿将镜头放置在有水的环境中。
- 镜头的防尘机身并不完全密封。避免在多尘的区域取下或更换镜头。
- 不要使用任何化学药品如稀释剂、酒精或苯擦拭灰尘。
- 小心不要掉落或受到其他物体的撞击。镜头是精密光学设备。
- 避免在温度频繁变化的地方使用镜头。将镜头放在塑料袋或相机包，防止镜头内外会产生水珠。
- 不要把没带镜头盖的相机放在三脚架上。相机内部零件可能被直射的阳光损坏。
- 为保持镜头性能，每一年或两年检查一次。
- 不要对镜头前面施加外力。
- 为了安全地使用镜头，请在相机电源关闭的状态下安装或拆卸镜头。
- 对于使用其他公司镜头造成的任何损坏，三星不承担任何责任。
- 在安装镜头时请务必小心，以免其从您的手中滑落。
- 请勿强行卸下镜头。否则可能会损坏镜头和相机。
- 请勿在为镜头充电时触摸相机的图像传感器或镜头。如果有灰尘和异物进入相机机身或镜头，可能会影响拍摄效果或导致故障。



PlanetFirst 体现三星通过生态导向业务与管理活动，对于持续发展与社会责任的承诺。



- 产品名: 镜头 (Lens)
- 环保使用期限: 10年
- 只有按照本产品使用说明书中的方法正常使用时，环保使用期限才能有效

部件名称	有毒有害物质或元素					
	铅 (Pb)	汞 (Hg)	镉 (Cd)	六价铬 (Cr6+)	多溴联苯 (PBB)	多溴二苯醚 (PBDE)

镜头/LENS	×	○	○	○	○	○
---------	---	---	---	---	---	---

○: 表示该有毒有害物质在该部件所有均质材料中的含量均在SJ/T 11363-2006规定的限量要求以下。

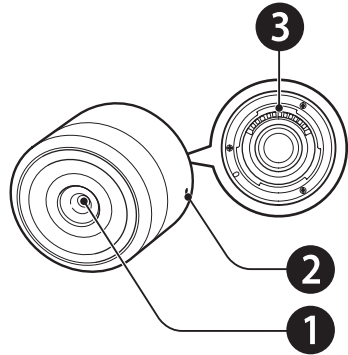
×: 表示该有毒有害物质至少在该部件的某一均质材料中的含量超出SJ/T 11363-2006规定的限量要求。

注: 超过限量要求的部件皆因全球技术发展水平而无法实现有毒有害物质或元素的替代，但是 Samsung 正为了开发替代技术而努力。(资料公开基准: 供应商提供的成绩单, Samsung 检测结果)

中国制造 天津三星光电子有限公司
中国 天津津港公路微电子工业区张衡道9号

保留备用

A



Before Using This Device

Thank you for purchasing the Samsung Lens. For best performance when using this lens, you must keep the camera's firmware and the lens' firmware up-to-date. Visit www.samsung.com to download the firmware. NX-M mount lenses are not compatible with previous NX cameras.

Special Features

This metal lens is small, lightweight, and easy to carry. The lens provides an F1.8 aperture and an Optical Image Stabilizer function to help you capture sharp, bright, and vivid photos.

Unpacking

Lens, Lens cap, User manual

Layouts (See illustration A)

① Lens ② Lens mount index ③ Lens contacts

Attaching and Removing the Lens

► To attach the lens,

- 1 Remove the body cap and the lens cap.
- 2 Align the lens mount index on the lens with the lens mount index on the camera body. Then, rotate the lens as shown in the illustration until it locks into place. (See illustration B)

To remove the lens, first turn off the camera. Press and hold the lens release button, then rotate the lens as shown in the illustration. (See illustration C)

Specifications

Lens Name	SAMSUNG NX-M 17mm F1.8 OIS
Focal Length	17 mm (equivalent to 45.9 mm in 35 mm format)

Elements in Group	8 elements in 5 groups (2 Aspheric lens, 1 Xtreme High Refractive Lens included)
Angle of View	50.5°
Aperture	F1.8 (Minimum: F11), (Number of Blades: 5, Circular Aperture Diaphragm)
Mount Type	Samsung NX-M mount (Exclusive to NX mini series)
Optical Image Stabilizer	Supported
Minimum Focus Distance	0.18 m
Maximum Magnification	Approx. 0.11X
Lens Hood	Not supported
Filter Size	39 mm
Max. Diameter X Length	50.0 X 27.5 mm
Weight	Approx. 55 g
Operating Temperature	0–40 °C
Operating Humidity	5–85 %

Health and Safety Information

Please read the following safety tips carefully for proper and safe use.

	Warning	Do not stare at the sun through the lens or camera. This may cause severe damage to your eyes. Keep your lens or camera away from small children and pets.
--	----------------	--



Caution

Do not store the lens in direct sunlight without the lens cap. Direct sunlight that passes through the lens may combust if it comes into contact with flammable materials. Use only sturdy tripods. Lightweight or unstable tripods may fall over and damage the camera.

Lens Storage and Maintenance

- Store the lens in dry and well ventilated areas.
- Do not store the lens in areas of high temperature or humidity or in a closet, car, or confined area where chemicals are stored.
- Do not expose the lens to water.
- The lens' dust-proof body is not perfectly sealed. Avoid removing or changing the lens in dusty areas.
- Do not use chemicals such as thinner, alcohol, or benzene to remove dust.
- Do not drop the lens or apply excessive shock to it. The lens is a precise optical product.
- Avoid using the lens anywhere there is a sudden temperature change. Keep the lens in a plastic bag or a camera case to prevent condensation from forming on the inside or outside of the lens.
- Do not keep the camera mounted on a tripod without the lens cap. The inside of the camera can be damaged by direct sunlight.
- Check the lens once every year or two for best performance.
- Do not apply excessive force to the front of the lens.
- For safe use of the lens, mount or dismount the lens while the camera is turned off.
- Samsung is not responsible for any damage incurred by using other manufacturers' lenses.
- Be careful when attaching a lens so that it does not slip from your hands.
- Do not remove the lens forcefully. Doing so may damage the lens and camera.

- Do not touch the image sensor of the camera or lens when changing lenses. Dust and foreign particles may affect shooting results or cause a malfunction if they enter the camera body or the lens.



Correct Disposal of This Product (Waste Electrical & Electronic Equipment)

(Applicable in countries with separate collection systems)

This marking on the product, accessories or literature indicates that the product and its electronic accessories (e.g. charger, headset, USB cable) should not be disposed of with other household waste at the end of their working life. To prevent possible harm to the environment or human health from uncontrolled waste disposal, please separate these items from other types of waste and recycle them responsibly to promote the sustainable reuse of material resources. Household users should contact either the retailer where they purchased this product, or their local government office, for details of where and how they can take these items for environmentally safe recycling. Business users should contact their supplier and check the terms and conditions of the purchase contract. This product and its electronic accessories should not be mixed with other commercial wastes for disposal.

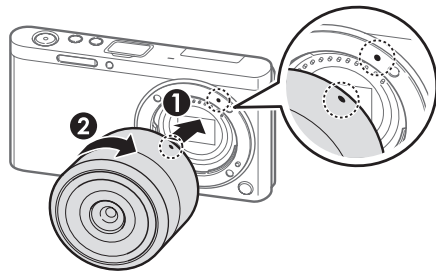


PlanetFirst represents Samsung Electronics' commitment to the sustainable development and social responsibility through eco-driven business and management activities.



Please refer to the warranty that came with your product or visit our website www.samsung.com for after-sales service or inquiries.

B



C

