

GT-E1205R user manual

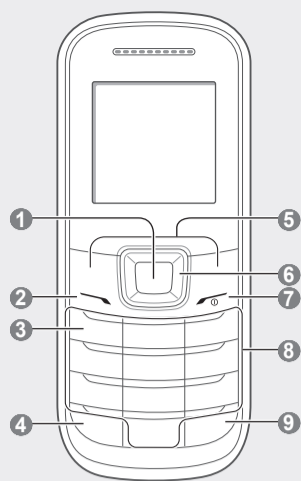
- Some content may differ from your device depending on the region or service provider.
- Third party services may be terminated or interrupted at any time, and Samsung makes no representation or warranty that any content or service will remain available for any period of time.
- This product includes certain free/open source software. The exact terms of the licences, disclaimers, acknowledgements and notices are available on the Samsung's website opensource.samsung.com.

www.samsung.com/hk

Printed in Korea
GH68-40587B Rev.1.0
English (HK), 01/2014



Device layout



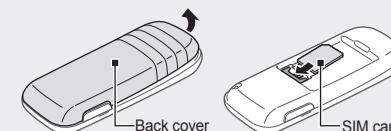
- 1 Confirm button**
From the Home screen, access the Menu screen; In the Menu screen, select the highlighted menu option, or confirm an input
The key might perform differently, depending on the region
- 2 Dial button**
Make or answer a call; From the Home screen, retrieve recently dialed, missed, or received numbers
- 3 Voicemail button**
From the Home screen, access voicemails (press and hold)
- 4 Keypad lock button**
From the Home screen, lock or unlock the keypad (press and hold)
- 5 Softkeys**
Perform actions indicated at the bottom of the display
- 6 Navigation button**
From the Home screen, access user-defined menus; In the Menu screen, scroll through menu options
Pre-defined menus might differ, depending on the service provider
- 7 Power button**
Turn the device on or off (press and hold); End a call; In the Menu screen, cancel an input and return to the Home screen
- 8 Alphanumeric buttons**
- 9 Silent mode button**
From the Home screen, activate or deactivate the silent mode (press and hold)

The device displays the following status indicators at the top of the screen:

Icon	Description
	No SIM card
	No signal
	Signal strength
	Network searching
	Battery power level
	Call in progress
	Call diverting activated
	New text message (SMS)
	New voicemail message
	SOS message feature activated
	Normal profile activated
	Silent profile activated
	Alarm activated
	Roaming (outside of normal service area)

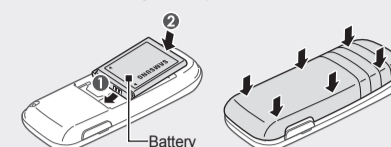
Installing the SIM card and battery

- Remove the back cover and insert the SIM card.



- Do not bend or twist the back cover excessively. Doing so may damage the cover.

- Insert the battery and replace the back cover.



Charging the battery



To electric socket

- Plug the small end of the charger into the multipurpose jack of the device, and plug the large end of the charger into an electric socket.
- After fully charging, disconnect the device from the charger. First unplug the charger from the device, and then unplug it from the electric socket.

- Use only Samsung-approved chargers, batteries, and cables. Unapproved chargers or cables can cause battery to explode or damage the device.
- Do not remove the battery before removing the charger. This may damage the device.

- To save energy, unplug the charger when not in use. The charger does not have a power switch, so you must unplug the charger from the electric socket when not in use to avoid wasting power. The charger should remain close to the electric socket and easily accessible while charging.

Turning the device on or off

Turning the device on

Press and hold [Power], and then enter the PIN and press <OK>, if necessary.

Turning the device off

Press and hold [Power].

- If the battery is fully discharged or removed from the device, the time and date will be reset.

Accessing menus

To access the device's menus or options,

Navigation button	Scroll to each menu.
Confirm button	Launch a menu or an application.
<Menu>	Open the Menu screen.
<Back>	Return to the previous screen.
[Power]	Close the menu or application and return to the Home screen.

- When you access a menu requiring the PIN2, you must enter the PIN2 supplied by the SIM card. For details, contact your service provider.
- Samsung is not responsible for any loss of passwords or private information or other damage caused by illegal software.

Entering text

Changing the text input mode

Press [#]	Change input mode.
Press and hold [#]	Switch between text input modes. Depending on the region, users might be able to use an input mode for specific language.
Press [*]	Switch to symbol mode.
Press and hold [*]	Select an input mode, change the input language, or add frequently-used phrases for easy access while entering text.

T Stroke mode

- Select [1] through [5] to enter strokes. Select [6] when you are unsure which stroke to enter. This will insert a placeholder.
- Scroll down until the character you want appears.
- Select the character you want from the list.

Zhuyin mode

- Press the appropriate alphanumeric buttons to enter Zhuyins.
- Scroll left or right to select a Zhuyin and press the Confirm button.
- Scroll down until the character you want appears.
- Select the character you want from the list.

Pinyin mode

- Press the appropriate alphanumeric buttons to enter Pinyins.
- Scroll left or right to select a Pinyin and press the Confirm button.
- Scroll down until the character you want appears.
- Select the character you want from the list.

S Stroke mode

- Select [1] through [5] to enter strokes. Select [6] when you are unsure which stroke to enter. This will insert a placeholder.
- Scroll down until the character you want appears.
- Select the character you want from the list.

T9 mode

- Press the appropriate alphanumeric buttons to enter an entire word.
- When the word displays correctly, press [0] to insert a space. If the word does not display, press the Navigation button up or down to select an alternate word.

ABC mode

Press an appropriate alphanumeric button until the character appears on the display.

Making or answering a call

- To make a call, enter a phone number and press [Power].
- To end a call, press [Power].
- To call a recently dialed number, press [Power] to select a number, and press [Power] again to dial the number.
- To make a call using the phonebook, press <Menu> → <Contacts> → <Contact list>, select a contact and press [Power].
- To answer an incoming call, press [Power].

Sending and viewing messages

<Menu> → <Messages>

Sending messages

- Press **Create message**.
- Press <Options> → **Add recipients** → **Contact list** to open the phonebook.
- Select a contact and press <Options> → **Add**. Or, enter a contact number.
- Scroll down and enter a text message.
See "Entering text".
- Press <Options> → **Send**.

Viewing messages

Press **Inbox** and select a message to read.

Managing contacts

Save data, such as names, phone numbers and personal information in the device memory or SIM card.

<Menu> → <Contacts>

- Users can change the memory location by pressing <Menu> → <Contacts> → **Management** → **Save new contacts to** and selecting a memory location.

Adding new contacts

- Press **Create contact** → a memory location (if necessary).
- Enter contact information and press the Confirm button.

Editing contacts

- Select a contact and press <Options> → **Edit**.
- Edit items and press the Confirm button to save.

Deleting contacts

Select a contact and press <Options> → **Delete**.

Using the alarm

<Menu> → <Alarms>

Setting alarms

- Select an empty alarm location.
- Enter details and press <Save>.

Stopping alarms

When an alarm rings,

- Press <Confirm> to stop the alarm.
- Press <Snooze> to silence the alarm for the snooze period.

Deactivating alarms

- Select an item and press <Select>.
- Set **Alarm activation** to **Off**.

Managing calendar

<Menu> → <Calendar>

Creating events

- Press <Options> → **Create**.
- Enter details of the event and press <Options> → **Save**.

Viewing events

Select a date and press the Confirm button.

Listening to the FM radio

<Menu> → <Applications> → <FM Radio>

Activating the FM radio

- Plug a headset into the device.
- Press the Confirm button to turn on the FM radio.
- Press <Yes> to start automatic tuning. Users may be asked to start automatic tuning when accessing the FM radio for the first time.
- Control the FM radio using the following buttons:

Buttons	Function
Confirm button	Turn the FM radio on or off.
Navigation button	<ul style="list-style-type: none"> Left/Right: Fine-tune the frequency; Search for the next available station (press and hold). Up/Down: Adjust the volume.

Adding radio stations to the favourites list

- Plug a headset into the device.
- Press <Options> → **Add to Favourites**.
- Assign a button and press <Select>.

Customising the device

Settings control how applications and functions operate. Change them to customise the device. Appearances, sound profiles, call actions, and many more can be customised.

<Menu> → <Settings>

Menu	Description
Profiles	Change the alert type, ringtone, volume, etc.
Display	Alter wallpaper, theme, brightness, etc.
Time and date	Change the time and date of the device.
Phone	Change the device language, etc.
Applications	Set application settings.
Security	Set locks or change passwords.
Network	Change network profiles settings.
Memory	Clear memory or check memory status.
Reset	Reset the device.

Adjusting the sound profiles

<Menu> → <Settings> → <Profiles>

- To switch to another profile, select it from the list.

Changing the ringtone

- Select a profile and press <Options> → **Edit**.
- Press **Call ringtone**.
- Select a ringtone and press the Confirm button.

Changing the message alert tone

- Select a profile and press <Options> → **Edit**.
- Press **Message alert tone**.
- Select a tone and press the Confirm button.

Adjusting the volume of the ringtone

- Select a profile and press <Options> → **Edit**.
- Press **Volume** → **Call alert**.
- Adjust the volume and press <Save>.

Adjusting the volume of voice during a call

While a call is in progress, press the Navigation button up or down to adjust the volume.

Using shortcuts

<Menu> → <Settings> → <Phone> → <Shortcuts>

Editing shortcuts

- Select a Navigation button and press <Options> → **Change**.
- Select an application to assign and press <Save>.

Customising the Home screen

Customise the Home screen with applications, contacts, calendar, and many more.

<Menu> → <Settings> → <Display> → <Shortcuts toolbar>

Customising the shortcuts toolbar

- Press <Options> → **Edit**.
- Select items to add to the shortcuts toolbar and press <Save>. New items can be added to empty spaces.

