



SIDE BY SIDE REFRIGERATOR



OWNER'S MANUAL AND INSTALLATION

CONTENTS

<i>SAFETY WARNING SIGNS</i>	2
<i>OPERATING INSTRUCTIONS</i>	4
SETTING UP THE REFRIGERATOR	4
MAJOR FEATURES.....	4
CONTROL PANEL	5
DIGITAL PANEL.....	6
TEMPERATURE CONTROL	7
ICE AND COLD WATER DISPENSER	7
SHELVES AND BINS	8
FOOD STORAGE GUIDE	9
ARCTIC SELECT ZONE™ DRAWER GUIDE	11
FRESH SELECT ZONE™ DRAWER GUIDE.....	12
REMOVING THE FREEZER ACCESSORIES.....	13
REMOVING THE FRIDGE ACCESSORIES.....	13
REMOVING THE ARCTIC SELECT ZONE ACCESSORIES.....	14
REMOVING THE FRESH SELECT ZONE ACCESSORIES	14
CLEANING THE ACCESSORIES.....	15
CHANGING THE INTERIOR LIGHT	16
WATER FILTER	18
DOORS.....	18
<i>INSTALLATION INSTRUCTIONS</i>	19
INSTALLATION OF THE REFRIGERATOR	20
ADJUSTING THE HEIGHT BETWEEN THE DOORS	21
REMOVING THE REFRIGERATOR DOORS	24
REATTACHING THE REFRIGERATOR DOORS	25
CHECKING THE WATER DISPENSER LINE.....	32
INSTALLATION OF THE WATER DISPENSER LINE	32
BEFORE YOU CALL FOR SERVICE.....	37

SAFETY WARNING SIGNS



- Before operating the appliance, please read and retain this manual thoroughly for your reference.
- Because the following operating instructions cover various models, the characteristics of your refrigerator may differ slightly from those described in this manual.
- The appliance is not intended for use by children or infirm persons without adult supervision.
- Children should be supervised to ensure that they do not play with the appliance.
- This refrigerator must be properly installed and located in accordance with the manual before it is used.
- Use this appliance only for its intended purpose as described in this instruction manual.
- We strongly recommend that any servicing be performed by a qualified individual.
- This product is intended only for the storage of food in a domestic environment.

CAUTION/WARNINGS USED

 WARNING	Indicates that a danger of death or serious injury exists.
 CAUTION	Indicates that a risk of personal injury or material damage exists.

OTHER SIGNS USED

	Represents something you must NOT do.
	Represents something you must NOT disassemble.
	Represents something you must NOT touch.
	Represents something you must follow.
	Indicates that you must disconnect the power plug from the socket.
	Represents that a ground is needed to prevent electric shock.
	It is recommended that this should be handled by a service center.

Please follow the Safety Warning Signs to prevent injury to users or other persons. After reading these owner's manual, please keep it in a safe place for reference.



WARNING SIGNS



Do not plug several appliances into the same multiple receptacle.

- This could cause overheating and the risk of fire.

Make sure that the power plug is not squashed or damaged by the back of the refrigerator.

- A damaged power plug may overheat and cause fire.

Do not directly spray water inside or outside the refrigerator/ freezer.

- There is a risk of electric shock.

Do not use aerosols near the refrigerator.

- There is a risk of explosion or fire.

Do not bend the power cord excessively or place heavy articles on it.

- This constitutes a fire hazard. If the power cord is damaged, have it replaced immediately by the manufacturer or its service agent.

Do not insert the power plug with wet hands.

- You may receive an electric shock.

Do not put a container filled with water on the refrigerator.

- If spilled, there is a risk of fire or electric shock.

Do not install the refrigerator in a damp place or a place where it may come in contact with water.

- Deteriorated insulation of the electrical parts may cause electric shock or fire.

Do not store volatile or flammable substances in the refrigerator.

- The storage of benzene, thinner, alcohol, ether, LP gas and other such products may cause explosions.



Do not use a cord that shows cracks or abrasion damage along its length or at either end.

Do not use mechanical devices or any other means to accelerate the defrosting process,

other than those recommended by the manufacturer.

Do not damage the refrigerant circuit.

Do not place or use an electrical appliance inside the refrigerator/freezer, unless they are of a type recommended by the manufacturer.



Do not disassemble or repair the refrigerator by yourself.

- You run the risk of causing a fire, malfunction and/or personal injury.



Pull the power plug out of the socket before changing the refrigerator's interior light.

- Otherwise, there is a risk of electric shock.

If you wish to dispose of the refrigerator, throw it away by first removing the doors and seals.

- Do so in a way that it is not possible for a child to remain trapped inside.



The refrigerator must be grounded.

- You must ground the refrigerator to prevent any power leakages or electric shocks caused by current leakage from the refrigerator.

Never use gas pipes, telephone lines or other potential lightning rods as ground.

- Improper use of the ground plug can result in a risk of electric shock.

SAFETY WARNING SIGNS



CAUTION SIGNS



Do not overfill the refrigerator with food.

- When you open the door, an item may fall out and cause personal injury or material damage.

Do not put bottles or glass containers in the freezer.

- When the contents freeze, the glass may break and cause personal injury.

If the wall socket is loose, do not insert the power plug.

- There is a risk of electric shock or fire.



Do not disconnect the power cord by pulling on it.

- Damage to the cord may cause a short-circuit, fire and/or electric shock.
- If the power cord is damaged, it must be replaced by the manufacturer, a certified service agent or qualified service personnel.

Do not store articles on the top of the appliance.

- When you open or close the door, the articles may fall and cause personal injury and/or material damage.

Do not store pharmaceutical products, scientific materials and temperature-sensitive products in the refrigerator.

- Products that require strict temperature controls must not be stored in the refrigerator.

Do not let children hang on the door because a serious injury may occur.

If you sense chemical odor or smoke, pull out the power plug immediately and contact your SAM-SUNG Electronics service center.

Do not re-freeze frozen foods that have thawed completely.

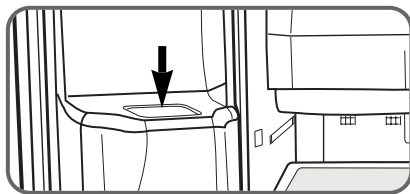


Do not touch the inside walls of the freezer or products stored in the freezer with wet hands.

- It may cause frostbite.

Do not insert your hands into the bottom area under the appliance.

- Any sharp edges may cause personal injury.



Never put fingers or other objects into the dispenser hole and ice chute. It may cause personal injury or material damage.

Do not use a wet or damp cloth when cleaning the plug. Remove any foreign matter or dust from the power plug pins.

- Otherwise there is a risk of causing a fire.
- If the refrigerator is disconnected from the power supply, you should wait for at least five minutes before plugging it back in.



If the refrigerator is not to be used for a long period of time, pull out the power plug.

- Deterioration in the insulation may cause fire.



- The appliance is not intended for use by young children or infirm persons without supervision. Young children should be supervised to ensure that they do not play with the appliance.
- If the key is provided with refrigerator, the keys should be kept out of the reach of children and not in the vicinity of the appliance.
- Do not place the equipment directly under sunlight.
- The appliance must be positioned so that the plug is accessible after installation.
- If the power cord is damaged, it must be replaced by the manufacturer, a certified service agent or a qualified service personnel.
- If you have a long vacation planned, empty the refrigerator and turn it off. Wipe excess moisture from the inside and leave the doors open. Otherwise, odor and mold may develop.
- There is no need to disconnect the refrigerator from the power supply if you will be away for less than three weeks. But, remove all the food if you are going away for the three weeks or more. Unplug the refrigerator and clean it, rinse and dry
- Most power failures that are corrected in an hour or two will not affect your refrigerator temperatures. However, you should minimize the number of door openings while the power is off. But should the power failure last more than 24hours, remove all frozen food.



DANGER

Risk of child entrapment. Before you throw away your old refrigerator or freezer

- Take off the doors
- Leave the shelves in places so that children may not easily climb inside.



If this appliance contains isobutane refrigerant (R600a) then the following warnings are applicable. R600a is a natural gas with high environmental compatibility however, it is also combustible. When transporting and installing the appliance, care should be taken to ensure that no parts of the refrigerating circuit are damaged.

Refrigerant squirting out of the pipes could ignite or cause an eye injury. If a leak is detected, avoid any naked flames or potential sources of ignition and air the room in which the appliance is standing for several minutes.

- In order to avoid the creation of a flammable gas-air mixture if a leak in the refrigerating circuit occurs, the size of the room in which the appliance may be sited depends on the amount of refrigerant used. The room must be 1m³ in size for every 8 g of R600a refrigerant inside the appliance. The amount of refrigerant in your particular appliance is shown on the identification plate inside the appliance.
- Never start up an appliance showing any signs of damage. If in doubt, consult your dealer.

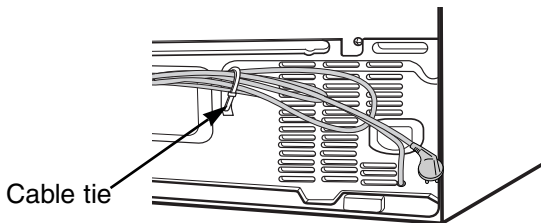
SETTING UP THE REFRIGERATOR

Once you have performed the following steps, your refrigerator should be fully operational. If not, check the power supply and electricity source. If you have any questions, contact your SAMSUNG Electronics service center.

1 Place the refrigerator in an appropriate location with reasonable clearance between the wall and the refrigerator. (refer to installation instructions in this manual)

2 When the refrigerator is plugged in, the interior light should come on when you open the doors.

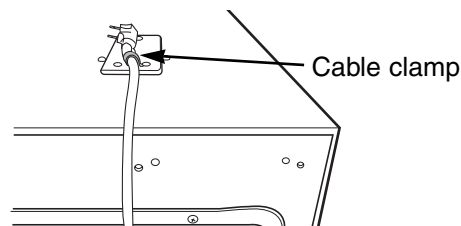
3 - You can arrange the Power cable with this Cable tie, after you plug in the refrigerator.



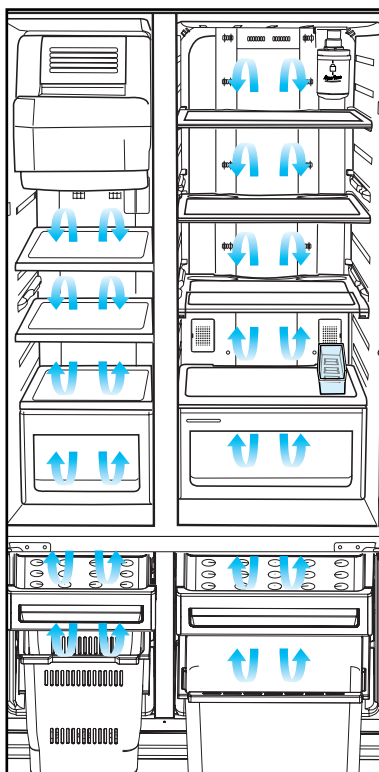
4 Set the temperature control to the coldest temperature and wait for an hour. The freezer should get slightly chilled and the motor should run smoothly.

5 Once the refrigerator temperature is sufficiently low, you can store food in it. After starting the refrigerator, it takes a few hours to reach the appropriate temperature.

- If the refrigerator is not to be used for a long period of time, you can also arrange the power cable with this cable clamp located in the top of the refrigerator as shown.



MAJOR FEATURES



TDM System (Time-Divided-Multi-Evaporator system)

- Each compartment has an evaporator, microprocessors and a refrigerant-control-valve to control the refrigeration cycle. The 4 evaporators enable improved efficiency and humidity in the fridge. Food odor from the refrigerator does not affect food in other compartments because the cooler and air flow systems are separate.

Multi-Flow System

- Cool air circulates through multiple vents on every shelf level. This provides even distribution of cooling inside cabinets to keep your food fresh longer.

Door Alarm

- Beeper reminds you that the door is open.

Xtra Fresh™

- Optimized humidity control keeps vegetables & fruits fresh.

Arctic Select Zone™ Drawer

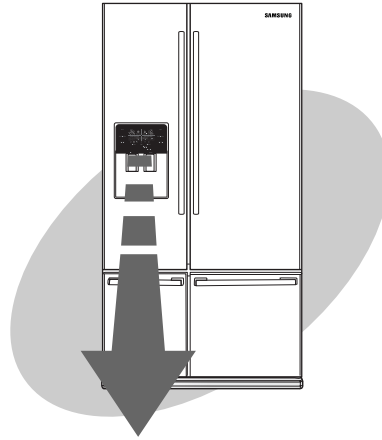
- Arctic Select Zone Drawer can be changed from a freezer to refrigerator with the TDM system. You can select Power Freeze, Freeze, Soft Freeze, or Cool depending on the food stored.

Fresh Select Zone™ Drawer

- You can select Soft Freeze, Chill, Cool or Fresh depending on the food stored.

With the Cool and Fresh settings, the humidity is controlled by TDM system.

CONTROL PANEL



Freezer Button
Set the desired temperature of the freezer compartment or select/cancel the Power Freeze by pressing this button.
Temperature Range of Freezer Compartment :
-25°C ~ -15°C (Recommended Setting Temperature: -19°C)
The freezer temperature bars shift in 5 steps according to the temperature setting of the freezer compartment.

Arctic Select Zone Button
Functions are selected in the order of Power Freeze → Freeze → Soft Freeze → Cool.

Ice Type Button
Use this button to turn the Icemaker off.

Filter Change Button
After changing the water filter, press the Cubed and Crushed buttons simultaneously and hold 3 seconds.

Fridge Button
Set the desired temperature of the fridge compartment or select/cancel the Power Cool by pressing this button.
Temperature Range of Fridge Compartment :
1°C ~ 7°C (Recommended Setting Temperature: 3°C)
The fridge temperature follows the temperature setting of the fridge compartment.

Fresh Select Zone Button
Functions are selected in the order of Soft Freeze → Chill → Cool → Fresh.

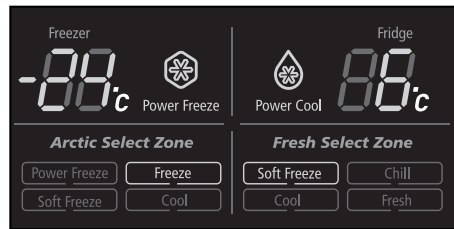
Light Button
Use this button to turn the dispenser light on and off.

Child Lock Button
Press Ice Off and Light buttons simultaneously and hold 3 seconds. All buttons will be locked and will not work. Water and ice dispenser levers also will not work.

NOTE

- Press the "Ice Off" Button and perform the "Child Lock" function, then the heater for sweat is off.
- If moisture appears around the cover dispenser or beverage station with this function, press these buttons for 3 seconds again. Then, the light will turn off and there will be generated to prevent moisture around the cover dispenser.

DIGITAL PANEL



Freezer

- The upper left part of display shows the Freezer compartment information. The two digit number indicates the current freezer temperature. There are 5 level bars that indicate the current freezer setting temperature from -25°C ~ -15°C . (5 bars is the coldest setting) The “Power Freeze” indicator shows that the Power freeze function is working.

Fridge

- The upper right part of display shows the Fresh Food compartment information. The two digit number indicates the current fridge temperature. There are 5 level bars that indicate the current freezer setting temperature from 1°C ~ 7°C . (5 bars is the coolest setting) The “Power Cool” indicator shows that the Power Cool function is working.

Arctic Select Zone

- The lower left part of display shows the lower left drawer compartment information. “Power Freeze” speeds up the freezing process. It works for about two and half hours. “Freeze” is the working freezing temperature, that is, the same temperature set with the Freezer button. “Soft Freeze” keeps foods fresh at about -7°C . “Cool” is the current refrigerating temperature.

Fresh Select Zone

- The lower right part of display shows the lower right drawer compartment information. “Soft Freeze” keeps foods fresh at about -7°C . “Chill” keeps foods fresh at about -1°C . “Cool” is the working refrigerating temperature, that is, the same temperature set with the Fridge button. “Fresh” keeps veggies and fruits fresh.

TEMPERATURE CONTROL

Freezer

- The freezer temperature can be set between -25°C and -15°C .
- Press the **Freezer** button repeatedly until the desired set temperature is shown in the temperature display.
- The temperature display changes in sequence between -25°C and -15°C .
- After five seconds, the display reverts to the actual freezer temperature, which changes as the freezer reaches the new temperature.

Power Freeze

- If you select "Power Freeze", the inside temperature of the freezer will decrease for about two and a half hours.
- After "Power Freeze" finishes, it automatically returns to freezer setting temperature.



- When ice cream is stored above -15°C in freezer, it may melt.
- The temperature of the freezer or the fridge rises from frequent openings and from warm food. This may cause the digital display to blink. The digital display will stop blinking when the freezer and refrigerator return to the normal temperature.

Fridge

- The refrigerator temperature can be set between 1°C and 7°C .
- Press the **Fridge** button repeatedly until the desired temperature is shown in the temperature display.
- The temperature display changes in sequence and reverts in the same way as the freezer.

Power Cool




- If you select "Power Cool", the inside temperature of the fridge will decrease for about two and a half hours.
- After "Power Cool" finishes, it automatically returns to original fridge temperature you set.

ICE and COLD WATER DISPENSER

Ice Dispenser

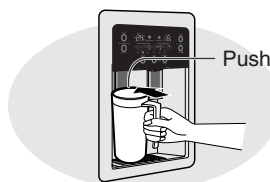
The ice maker produces 8 cubes at once and about 120 cubes a day automatically. This quantity may be influenced by factors such as the freezer temperature, Power Freeze function and the number of door openings. When your refrigerator is plugged in, the Cubed ice mode is automatically selected.

Press the Ice Type button to choose Cubed ice, Crushed ice or Ice off to stop making ice.

- Cubed ice 
- Crushed ice 
- Ice off 

Push the ice dispenser lever with a cup.

- Place a cup to the dispenser lever line to prevent the ice from dropping out.



Never put fingers or any other objects in the dispenser opening. It may cause injury.

Water Dispenser

The capacity of the water tank is approximately 1ℓ.

Cold Water

- Push the water dispenser lever with a cup.
- If you have just installed the refrigerator, throw away the first six glassfuls of water to flush out impurities in the water supply system.



If you have a long vacation or business trip and won't use the water or ice dispensers, close the water valve. Otherwise, water leakage may occur.

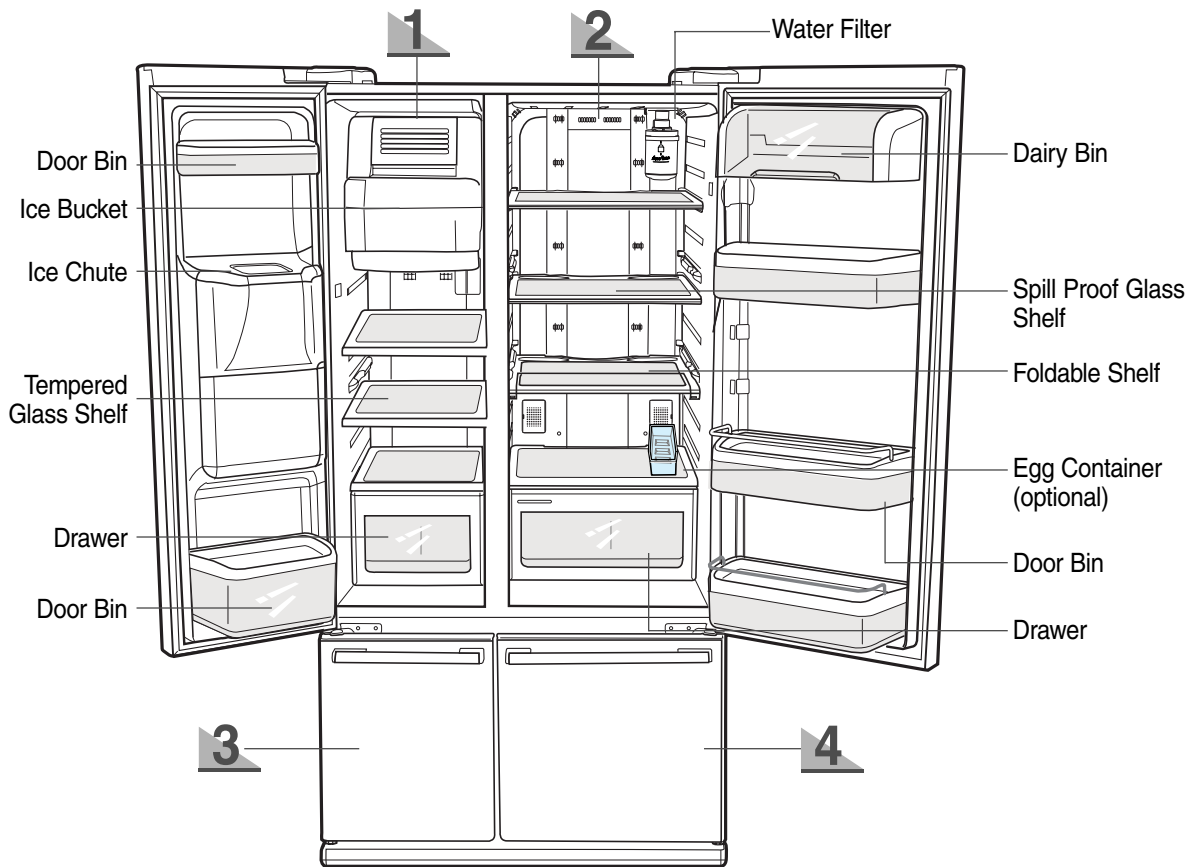


Preparing for Vacation

Set the type of ice to the ICE OFF position and shut off the water supply to the refrigerator.

SHELVES AND BINS

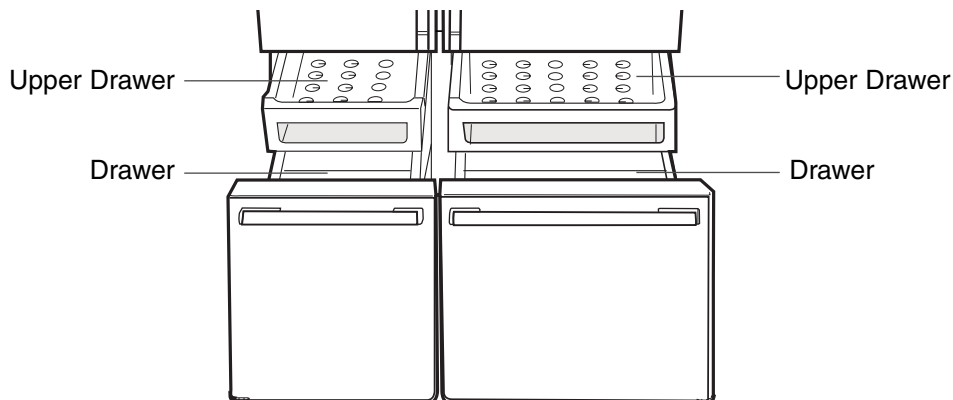
Freezer & Fridge



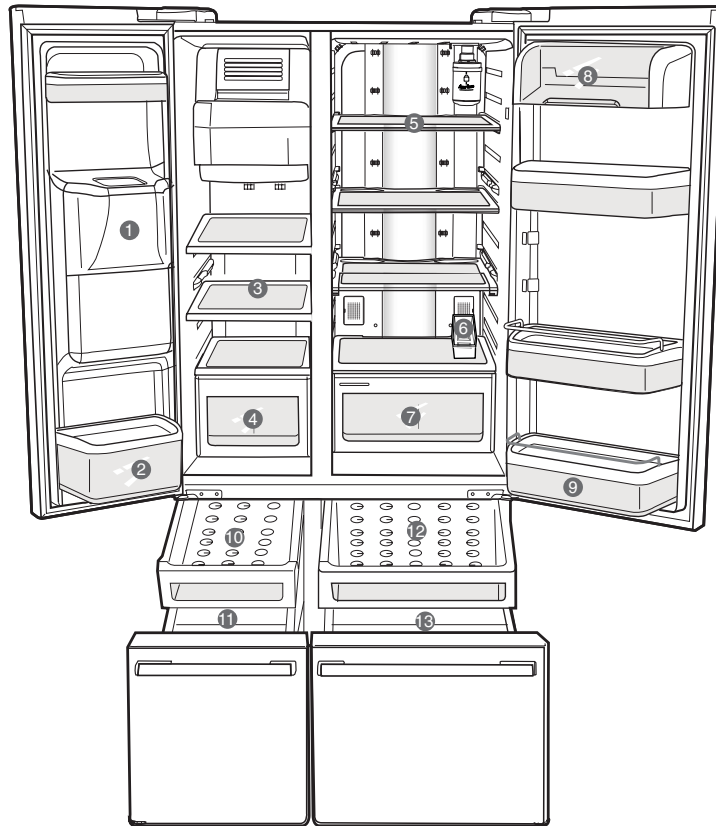
This refrigerator contains four compartments:

1. Fridge - For your fresh/perishable food items.
2. Freezer - For your Frozen food items.
3. Arctic Select Zone - For your Frozen food, but also can be set to function as a refrigerator drawer.
4. Fresh Select Zone - For your Fresh food, but can also be set as a freezer drawer.

Arctic Select Zone™ and Fresh Select Zone™



FOOD STORAGE GUIDE



FROZEN FOOD STORAGE IN FREEZER

1 Ice Chute



Do not put your fingers, hands or any other unsuitable objects in the chute or ice-maker bucket, as this may result in personal injury or material damage.

2 Door Bin (Fixed Pocket)

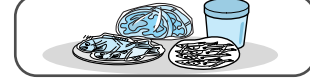
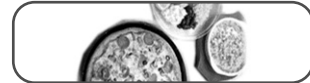
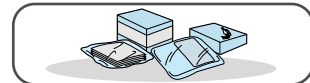
- Can be used for small packages of frozen food

3 Tempered Glass Shelf

- Can be used to store all types of frozen food.

4 Drawer

- Can be used to store meat and dry foods. Stored food should be wrapped securely using foil or other suitable wrapping materials or containers.



- To get the best performance from your Refrigerator
 - Do not place foods too closely in front of the vents at the rear of the appliance as it can obstruct free air circulation in the freezer compartment.
 - Wrap up food properly or place it in an airtight container before putting it in the fridge or freezer
- Do not place carbonated or fizzy drinks in the freezer compartment
- Please observe maximum storage times and expiration dates of frozen goods.

FOOD STORAGE GUIDE

FRESH FOOD STORAGE IN FRIDGE

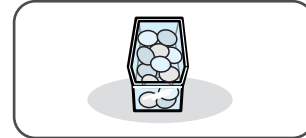
5 Tempered Spill Proof Glass Shelf

- Can be used to store all types of chilled food.
- Safe and break resistant.
- Circular marks on the glass surface are a normal phenomenon.



6 Egg Container (Optional)

- Put eggs in the container and place them on the shelf.



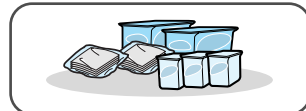
7 Fruit & Vegetable Drawer

- Is used to store fruits and vegetables.
- This drawer is airtight. Optimized humidity control design helps to preserve the freshness of stored vegetables and fruits.



8 Dairy Compartment

- Can be used to store butter or margarine.



9 Gallon Door Bins

- Can be used to store foods in small packages, such as milk and yogurt.



NOTE

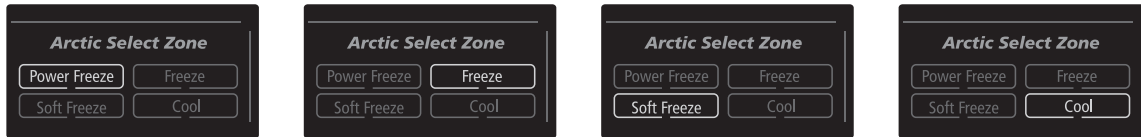
- Bottles should be stored tightly together so they do not fall out.
- The appliance might not operate consistently (possibility of defrosting of contents or temperature becoming too warm in the frozen food compartment) when sited for an extended period of time below the cold end of the range of temperatures for which the refrigerating appliance is designed.
- Do not store food which goes bad easily at low temperature, such as bananas, melons.
- Your appliance is frost free, which means there is no need to manually defrost your appliance, as this will be carried out automatically.
- Temperature rising during the defrost can comply with ISO requirement. But If you want to prevent an undue rise in the temperature of the frozen food while defrosting the appliance, please wrap the frozen food in several layers of kitchentowel.
- Any increase in temperature of frozen food during defrosting can shorten its storage life.



WARNING

- If you have a long vacation planned, empty the refrigerator and turn it off. Wipe excess moisture from the inside and leave the doors open. Otherwise, odor and mold may develop.
- If condensation forms inside the refrigerator, simply wipe it away with a dry cloth or towels.

ARCTIC SELECT ZONE™ DRAWER GUIDE



Convertible Function

- By pressing the “Arctic Select Zone” button, you can select the proper temperature function for your foods.
- It changes in the following sequence: Power Freeze, Freeze, Soft Freeze and Cool.

Power Freeze

- You can use “Power Freeze” function to freeze foods faster.
- Power Freeze works for about two and a half hours continuously, then returns to the set freezer temperature automatically after finishing.
 - ☞ Do not put bottles and glass containers in the freezer
 - ☞ Power Freeze may be influenced by many factors such as the size and weight of foods, the space of foods, the number times the door is opened, etc.
 - ☞ If his drawer was operating as a “Cool” zone, move fresh food to the fridge before the “Power Freeze” works.

Freeze

- “Freeze” function keeps the freezer setting temperature.
For example, if Freeze is set to -19°C , the Arctic Select Zone will be adjusted to the same temperature.

Soft Freeze

- You can use “Soft Freeze” function to help keep meat and fish fresh for longer than the Fridge.
- When “Soft Freeze” mode is selected, the compartment temperature will be approximately -7°C (depending on the ambient temperature & amount stored).
 - Meat can be stored safely for a longer period of time in this mode than in the other modes and has the advantage that the meat will remain soft enough to be easily sliced.
 - Do not put bottles and glass containers or foods that have a high water content as these are liable to burst due to the low temperature.

Cool

- You can use the “Cool” function to store more fresh foods.
- “Cool” temperature is about 3°C .
 - If “Freeze” or “Soft Freeze” is selected, move the frozen foods to the freezer before the “Cool” works.

10 Upper Drawer

- The drawer can be converted to store either fresh or frozen food.

11 Drawer

- The drawer can be converted to store either fresh or frozen food.

FRESH SELECT ZONE™ DRAWER GUIDE



Fresh Function

- By pressing the “Fresh Select Zone” button, you can select proper temperature function for your foods.
- It changes in the following sequence: Soft Freeze, Chill, Cool and Fresh.

Soft Freeze

- You can use “Soft Freeze” function to help keep meat and fish fresh for longer than the Fridge.
- When “Soft Freeze” mode is selected, the compartment temperature will be approximately -7°C (depending on the ambient temperature & amount stored).
 - Meat can be stored safely for a longer period of time in this mode than in the other modes and has the advantage that the meat will remain soft enough to be easily sliced.
 - Do not put bottles and glass containers or foods that have a high water content as these are liable to burst due to the low temperature.

Chill

- You can use “Chill” function to help keep fresh at about -1°C .
- At -1°C , near the water Freezing temperature, foods can be stored safely for longer than the refrigerating temperature.
 - Do not put bottles and glass containers or foods that have a high water content in the drawer, because the “Chill” temperature is below 0°C .

Cool

- “Cool” function keeps the set fridge temperature.
 - For example, if the Fridge is set to 3°C , the Fresh Select Zone will be the same.
- The Cool function keeps humidity of this compartment high.
 - If you put foods that contain a lot of water without lids or wrapping paper, water droplets may form on the side wall, because of high humidity.

Fresh

- You can use “Fresh” function to help keep vegetables and fruits fresher.
- “Fresh” temperature is about 4°C . The humidity is kept high for veggie and fruit storage.

12 Upper Drawer

- The humidity in the drawer is high when fresh food is stored in “Cool” or “Fresh” mode.

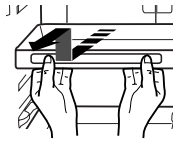
13 Drawer

- You can also store bottles in “Fresh” mode.
 - The humidity in the drawer is kept high in “Cool” and “Fresh” mode.

REMOVING THE FREEZER ACCESSORIES

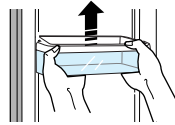
1 Tray Shelf (optional)

- Pull the shelf out as far as it goes. Then lift it up and remove it.



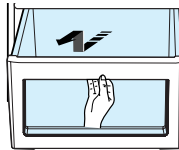
2 Door Bin

- Hold the door bin with both hands and then lift it up.



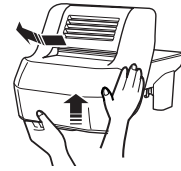
Drawer

- ### 3
- Remove the drawer by pulling it out and slightly lifting it up.



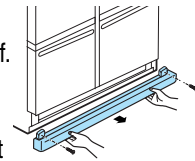
4 Ice Bucket

- Remove the bucket by lifting it up and pulling it out.



5 Front Leg Cover

- Remove two screws.
- Lift it up and pull the cover off.
- To reattach the front leg cover, attach it closely to the refrigerator, then slide it down.



NOTE

- Do not use excessive force when removing the cover. It may cause an injury.

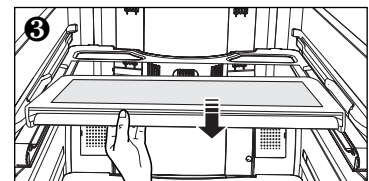
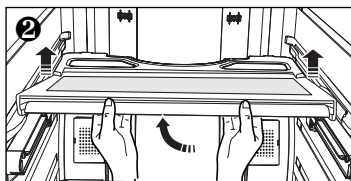
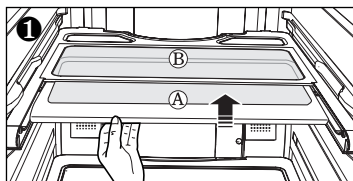
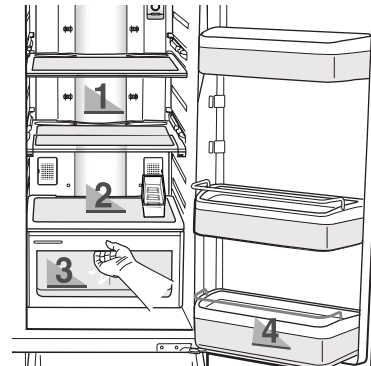
REMOVING THE FRIDGE ACCESSORIES

1 Spill Proof Glass Shelf

- Pull the shelf out as far as it will go. Then lift it up and gently remove it.

2 Foldable Shelf

- Slide the glass shelf (A) under the glass shelf (B).
- Tilt up the glass shelves (A & B) as shown below and lift up the shelves with both hands.
- Hold the raised glass shelves (A & B) and pull out with care.



NOTE

- When you replace the Foldable Shelf, follow the above instructions in reverse.

3 Vegetable & Fruit Drawer

- Remove the drawer by holding the handle, pulling the drawer out, and then lifting up the side of the drawer bottom smoothly with the other hand.

4 Gallon Door Bin

- Hold the bin with both hands and remove it by lifting it up.

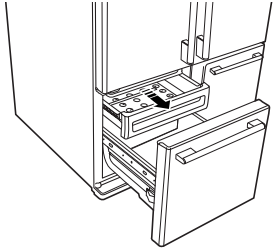


NOTE

- Before removing the freezer and fridge accessories, please remove the food.

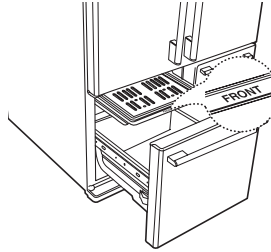
REMOVING THE ARCTIC SELECT ZONE ACCESSORIES

1



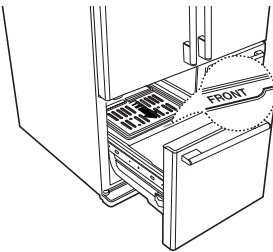
Open the Arctic Select Zone Door.
Hold the front side of upper drawer, and pull it out.

2



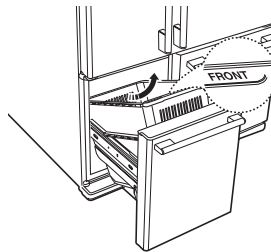
Pull the front side of upper cover out.

3



Pull the front side of cover out.

4



Lift the front side of basket first,
and take it out carefully (using both hands).

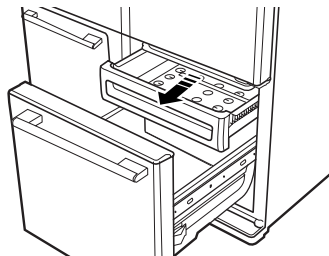


NOTE

- Empty the basket before taking it out.

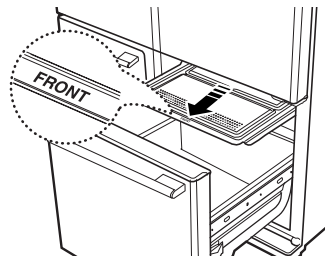
REMOVING THE FRESH SELECT ZONE ACCESSORIES

1



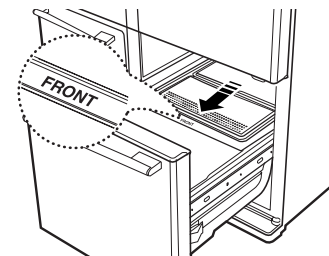
Open the Fresh Select Zone Door.
Hold the front side of upper drawer, and pull it out.

2



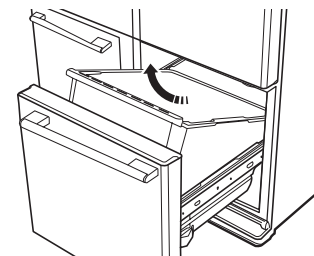
Pull the front side of upper cover out.

3



Pull the front side of cover out.

4



Lift the front side of basket first,
and take it out carefully (using both hands).



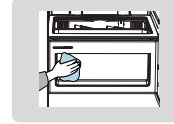
NOTE

- Empty the basket first before taking it out.

CLEANING THE ACCESSORIES

Interior

- Clean the accessories with a mild detergent, then wipe out with a dry cloth.
- After washing the accessories, make sure that they are dry before using them again.



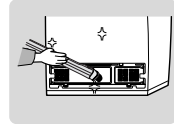
Exterior

- Wipe the digital panel and display panel with a clean cloth.
- The doors, handles and cabinet surfaces should be cleaned with a mild detergent and soft cloth, then wiped off with a dry cloth.
 - Do not use Benzene, Thinner or Clorox™ for cleaning.
 - Do not spray water directly on the surface of the refrigerator while cleaning.



Rear

- Use a vacuum cleaner to remove dust once or twice a year.

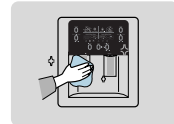


- Do not remove the cover as there is a risk of shock.

WARNING

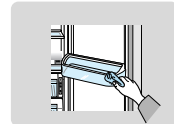
Ice and water dispenser

- Use a damp cloth to clean the ice and water dispenser. Then wipe it out with a dry cloth.
- To keep the drainage grid dry, do not touch the ice and water dispenser.



Rubber door seals

- If the rubber door seals are dirty, the door will not close properly, and the refrigerator will not be able to function efficiently. Clean the doors with a mild detergent and damp cloth. Then wipe with a dry cloth.



WARNING

- Do not spray the refrigerator with water while it is plugged in, as it may cause an electric shock.
- Do not clean it with benzene, thinner or car detergent. It may cause a fire.



CAUTION

- Wipe excess moisture from the inside and leave the doors open.
 - Otherwise, odor and mold may develop.

CHANGING THE INTERIOR LIGHT



WARNING

Before changing the interior light, unplug the refrigerator from the power supply. If you have difficulty with changing the light, contact your service center.



CAUTION

Light bulbs may be hot.



INTERIOR LIGHT IN THE FRIDGE

Upper

1

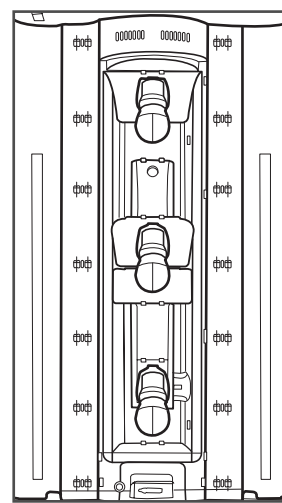
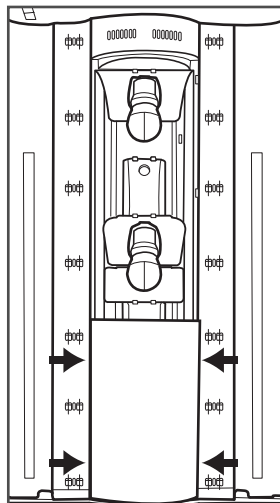
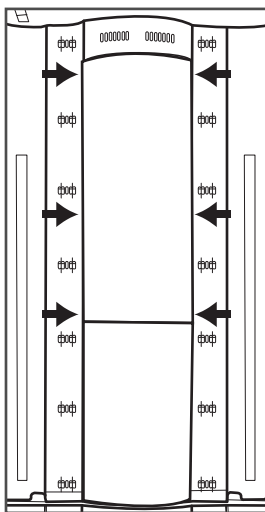
Push both sides of the upper lamp cover, marked → around the top of cold air duct, then pull out the air duct.

2

Push both sides of the bottom lamp cover, marked → on the air duct, then pull out.

3

After changing the bulb, reattach the bottom light cover, then the upper light cover.



CHANGING THE INTERIOR LIGHT



WARNING

Before changing the interior light, unplug the refrigerator from the power supply. If you have difficulty with changing the light, contact your service center.



CAUTION

Light bulbs may be hot.

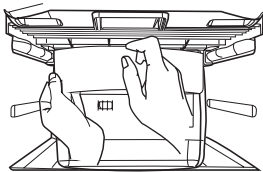


INTERIOR LIGHT IN THE FREEZER

The freezer light is located in the bottom of the auger motor case.

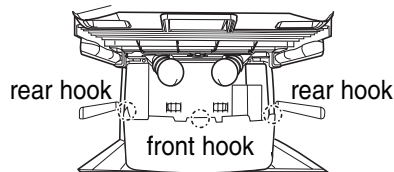
1

Push the center of the light cover's upper side, and then pull down the light cover.



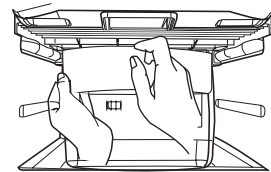
2

Change the bulb with a new one.



3

Reattach the light cover. First, align the rear hook of light cover to light case, and then push the front hook.



NOTE

To replace the freezer and the fridge light bulbs, please contact SAMSUNG dealer. Use replacement bulb size E26, maximum 40 watts.

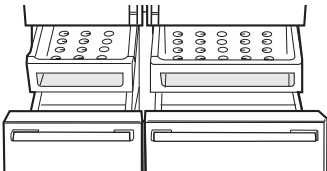


INTERIOR LIGHT IN ARCTIC & FRESH SELECT ZONE

The Arctic & Fresh Select Zone light is located in the bottom of partition in the refrigerator.

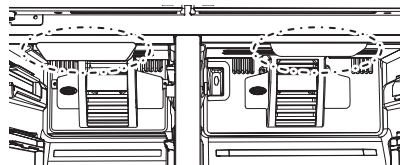
1

Open the door of the compartment where you want to replace the lamp, and empty it of all food.



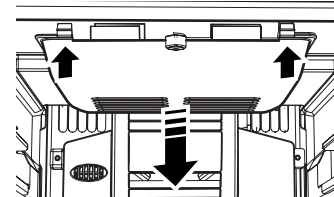
2

Check the lamp-cover attached to the lower part of Partition in the refrigerator.



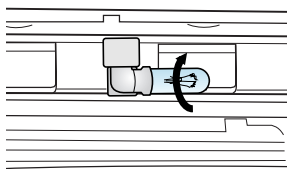
3

Push the front side of the lamp cover inside refrigerator to separate the front hook. Push it down to separate.



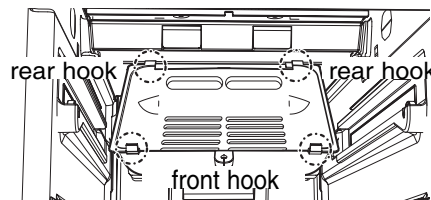
4

Replace the lamp with a new one.



5

Fit the rear hook of cover lamp into the groove first, and lift it to fit onto the front hook into the groove.



NOTE

To replace the freezer and the fridge light bulbs, please contact SAMSUNG dealer. Use replacement bulb size E14, maximum 30watts.

WATER FILTER

The water “Filter Indicator” light

- “Filter Indicator” light lets you know when it is time to change your water filter cartridge. The light will change from green to orange. This tells you that it is almost time to change the current cartridge. It is recommended that you replace the cartridge when the light changes to red. (see “Install the water filter” section for more information)
- If you install water filter, throw away the first six glassfulls of water filter, or until water flows clearly to flush impurities in the water supply system.

Using the dispenser without the water filter

- You can not use the water and ice dispenser without a water filter cartridge because the water line blocks at the water supply.

Ordering replacement filters

- To order more water filter cartridges, contact your authorized Samsung dealer.

DOORS

The refrigerator doors have a special door opening and closing feature to make sure that the doors close all the way and are securely sealed.

When opening the door, it will only open so far. After reaching a certain point, it will remain open.

When the door is partially open, it will close automatically.

INSTALLATION OF THE REFRIGERATOR



Checking the Dimensions of your Entrance Door

Check the dimensions of your entrance door to determine whether the refrigerator can pass through it.

Model		RM25JW**	
Dimension (mm)	Width		908
	Case Height	without hinge	1744
		with hinge	1778
	Depth	with handle	895
without door		770	



Selecting the Location for the Refrigerator

- Select a location with easy access to the water supply.
- Select a location with enough space for the refrigerator.
- Select a location without direct exposure to sunlight.
- Select a location with a level floor or close to it.

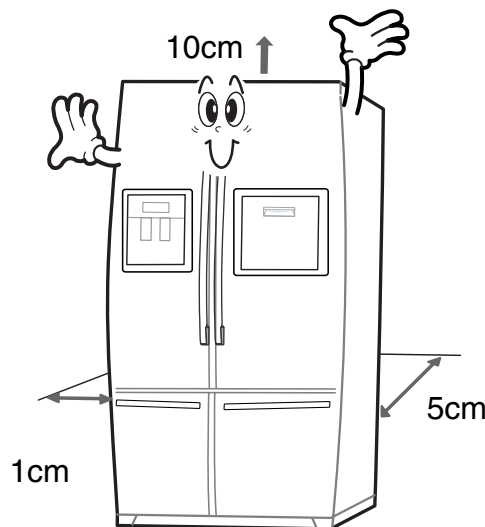


NOTE

- Before disassembling the freezer door, the water supply line needs to be disconnected. (If not, the water supply line may be damaged.)
- See “Removing the Freezer Door” on page 25.

Allow sufficient space for air circulation of the internal cooling system.

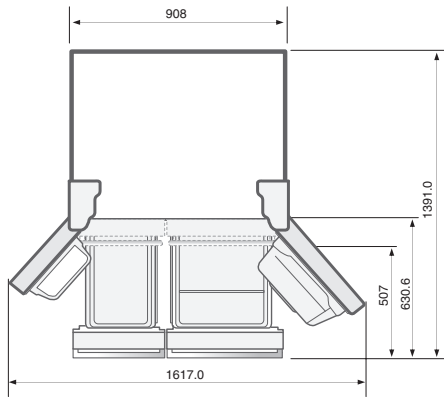
- When the refrigerator does not have enough space, the internal cooling system may not work correctly.



NOTE

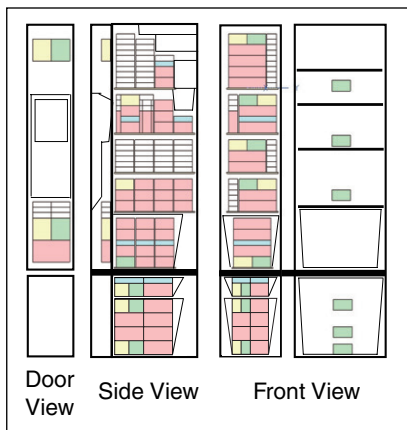
- Allow clearance to the right, left, back and top when installing the refrigerator. This has the advantage of reducing power consumption.
- Do not install the refrigerator where the temperature will go below 10°C(50°F).

INSTALLATION OF THE REFRIGERATOR



CAUTION

- Be careful when opening the door so that it does not come in contact with other parts of the refrigerator.



Loading Plan



NOTE

To get the maximum energy efficiency, you had better give enough clearance of the back side. To get more space remove the box in the Freezer and the Fridge, the partition and the upper box in the Arctic Select Zone, the upper box in the Fresh Select Zone since it does not effect satisfactory thermal and mechanical characteristics.

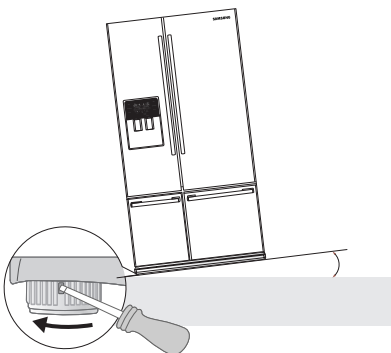


LEVELLING

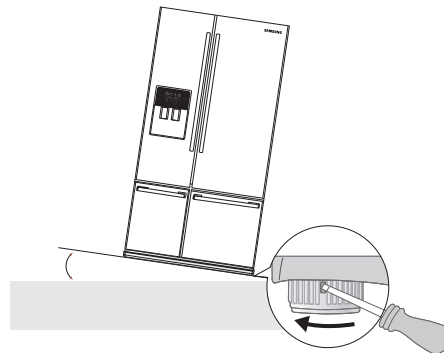
If the front of the appliance is slightly higher than the rear, the door can be opened and closed easier.



1 The appliance tilts down to the left.
Turn the left adjusting leg in the direction of the arrow with a flat head screwdriver until the appliance is level.



2 The appliance tilts down to the right.
Turn the right adjusting leg in the direction of the arrow with a flat head screwdriver until the appliance is level.



WARNING

- Allow sufficient space to install the refrigerator on a flat surface.
- If your refrigerator is not level, the internal cooling system may not work correctly.

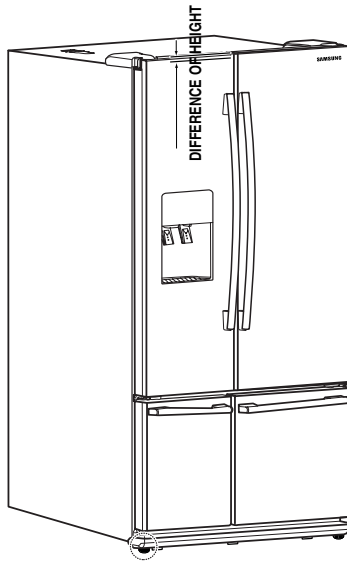
ADJUSTING THE HEIGHT BETWEEN THE DOORS



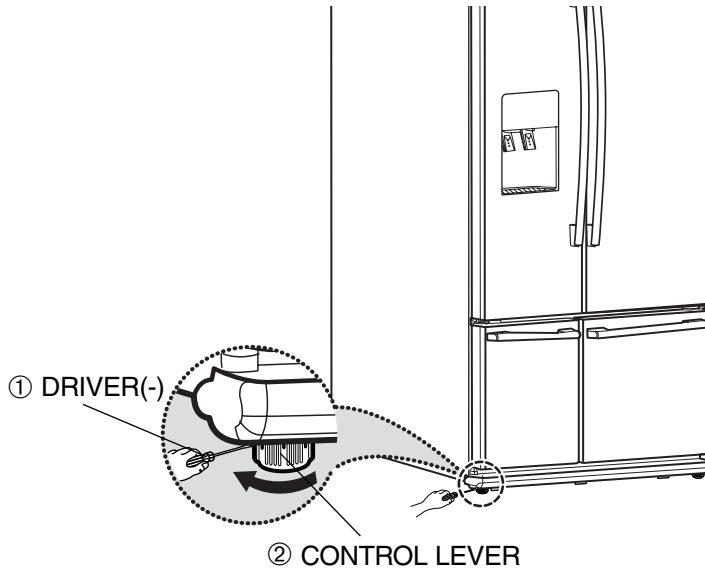
Please level the refrigerator first

The doors will be uneven if the refrigerator is not level.

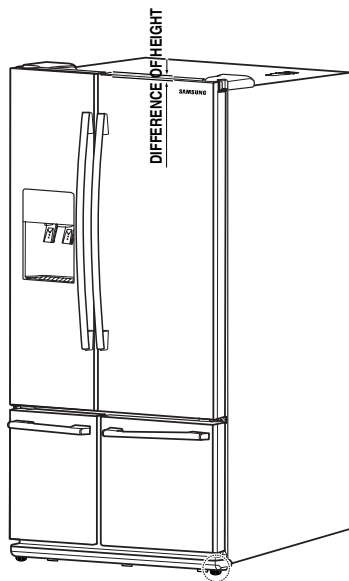
Case 1) Freezer door is lower than the refrigerator door.



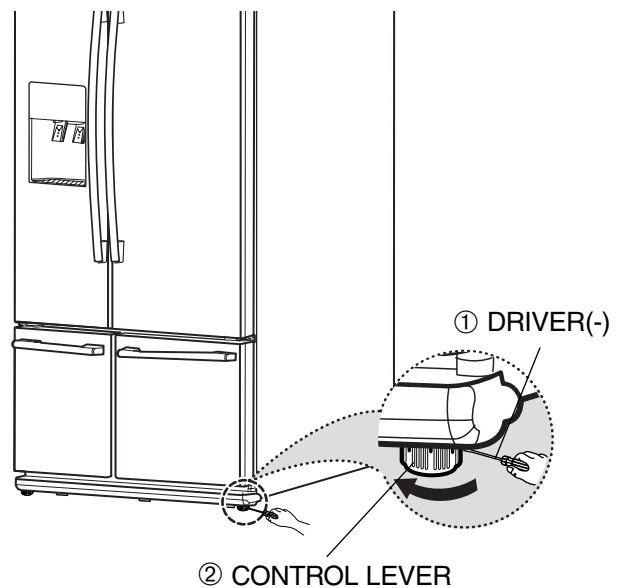
Insert a flat-blade screwdriver (-) (①) into a slot of the control lever (②), turn it clockwise and level the refrigerator.



Case 2) Freezer door is higher than the fridge door



Insert a flat-blade screwdriver (-) (①) into a slot of the control lever (②), turn it clockwise and level the refrigerator.



NOTE

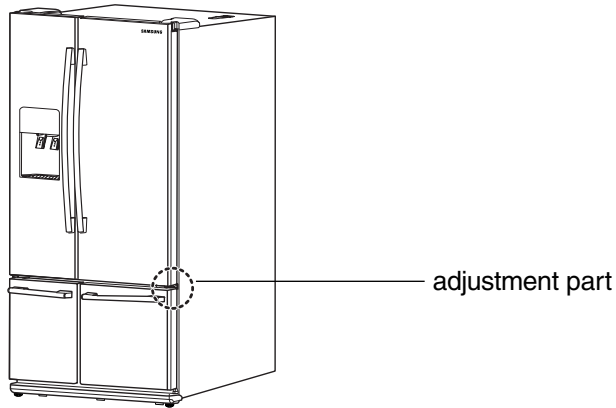
Do not make small adjustments with the control lever, Please refer to the next page.

ADJUSTING THE HEIGHT BETWEEN THE DOORS

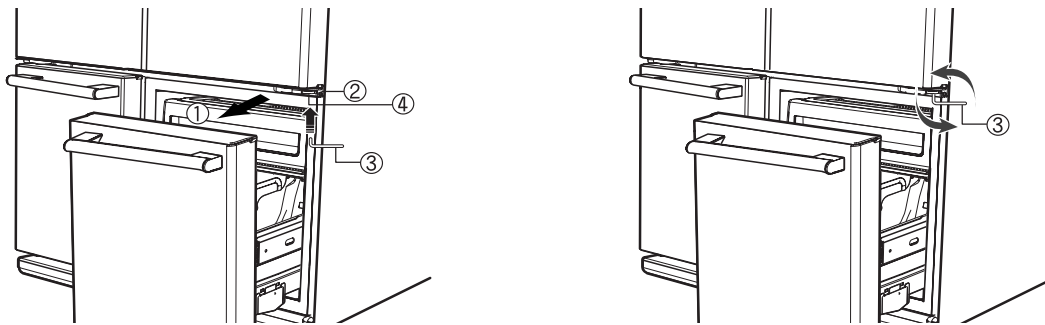


Making small adjustments between doors.

If the door of fridge is lower than that of the freezer,



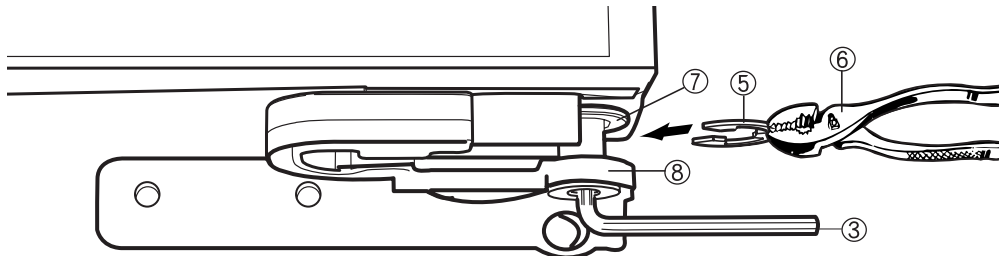
- 1) If you open the Fresh Select Zone Door (①), you can see the hinge-mid (②).
- 2) Insert enclosed hex wrench (③) into the shaft (④) of the hinge mid.
- 3) Please adjust the height difference between the doors turning the hex wrench (③) clockwise (↻) or counter clockwise (↺).



NOTE

When you turn counter clockwise (↺), the door goes up.

- 4) After adjusting the doors, please insert enclosed fastener-ring (⑤) using a plier (⑥) in the gap between the hinge-grommet (⑦) and the hinge-mid (⑧).
The number of the fastener-ring to insert depends on the gap.

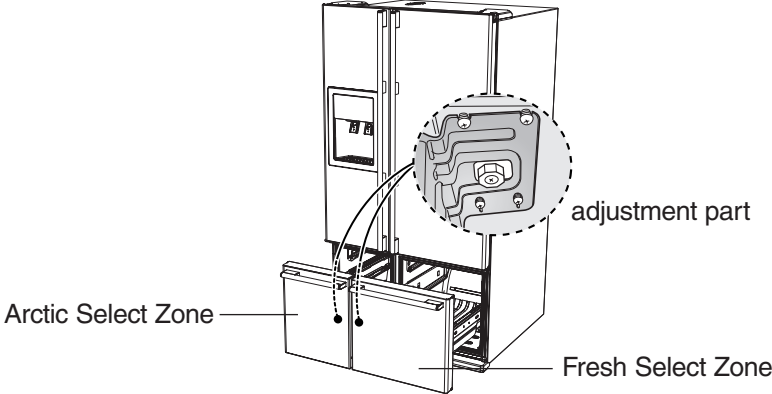


NOTE

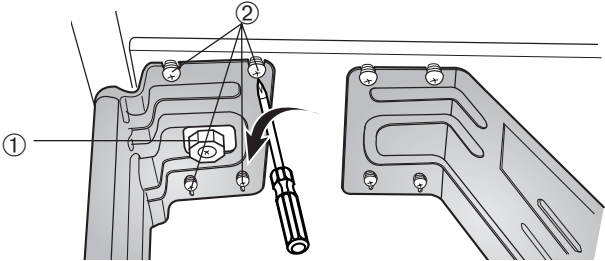
Four fastener-rings are enclosed with the refrigerator.

ADJUSTING THE HEIGHT BETWEEN THE DOORS

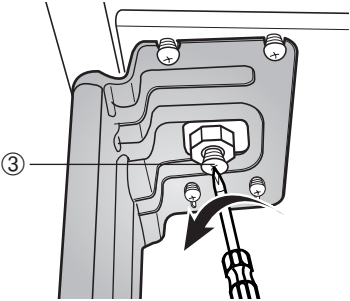
If the Arctic Select Zone Door is lower than the Fresh Select Zone Door.



- 1) Locate the height-adjuster (①) in the Arctic Select Zone.
Unscrew the four phillips screws (②) slightly to loosen the door.



- 2) Unscrew the adjuster-phillips screw (③) two turns to rotate the adjuster.



- 3) Find the best adjuster-level to align the door gap.

CASE) The gap is about 2mm (0.08inch) as shown below.

gap

Arctic Select Zone Door

Fresh Select Zone Door

reference plane

- Rotate down the adjuster-face with +2.0 number to reduce the door gap.
- The number of the adjuster to rotate depends on the gap.

➔ After adjustment, tighten the screws (② & ③) in reverse order.

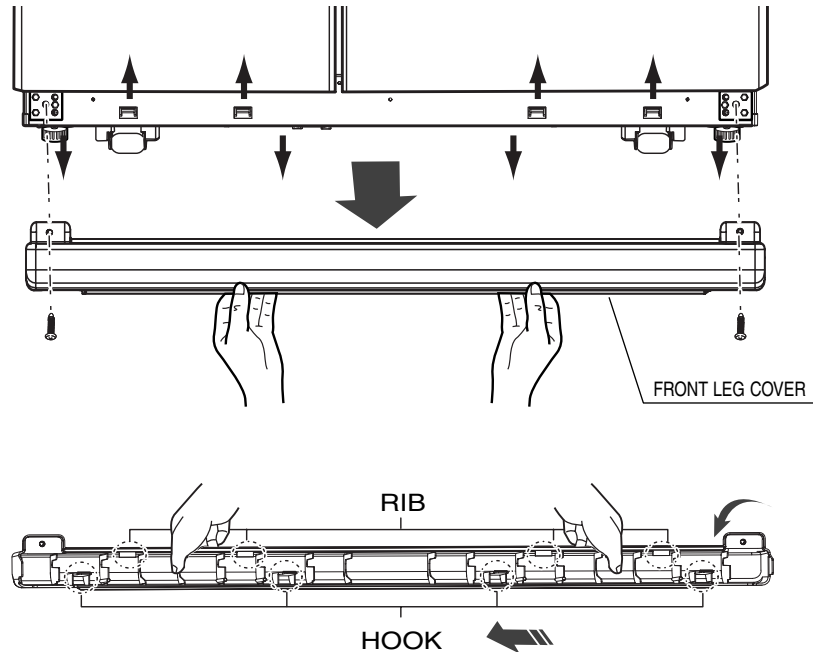


The adjuster in the Fresh Select Zone can be used in the same way.

REMOVING THE REFRIGERATOR DOORS



Removing the Front Leg Cover



Unscrew two phillips screws from the front leg cover.
Pull the front leg-cover down with both hands and remove it by lifting it up with the upper rib.
Then, disengage the lower hooks.



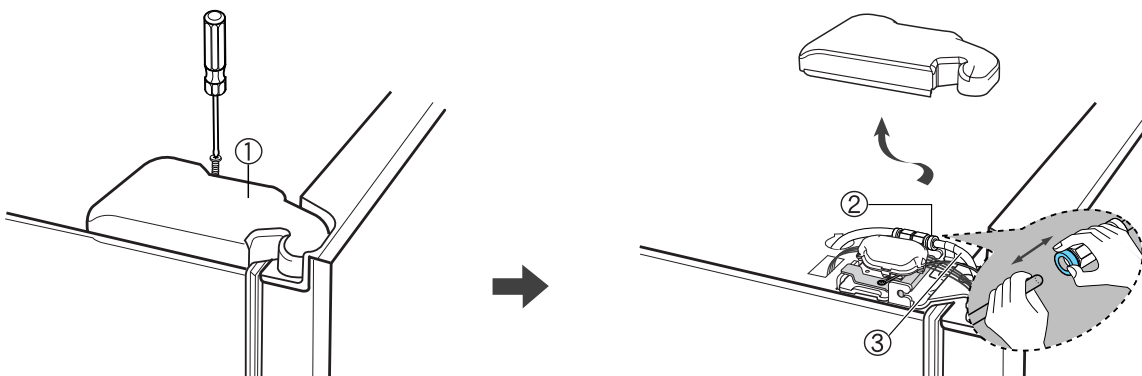
Removing the Freezer Door



NOTE

- Lift the door straight up.
- Be careful not to pinch the water tubing and wire harness on the door.
- Place doors on a protected surface.

1) With the door closed, remove the upper hinge cover (①) using a screwdriver, and then remove the water tube by pressing the coupler-ring (②) and pulling the water tube (③) away.



NOTE

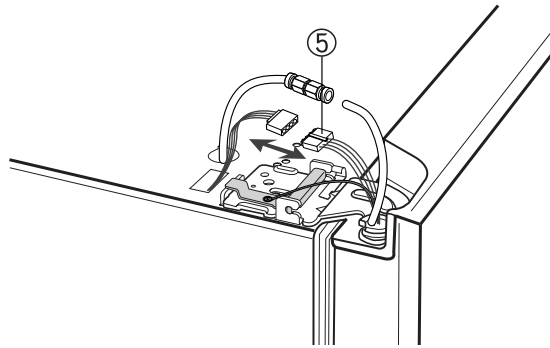
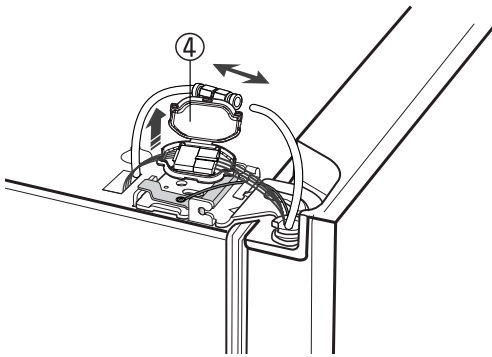
Do not cut the water tube. Separate it from the coupler.

REMOVING THE REFRIGERATOR DOORS

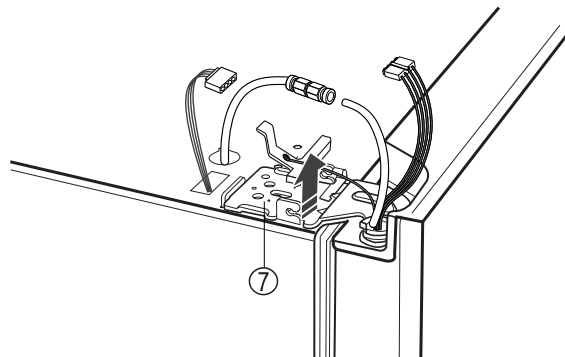
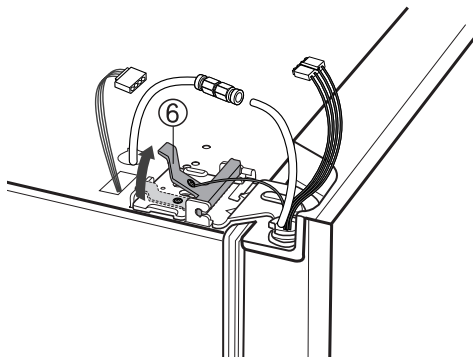


Removing the Freezer Door

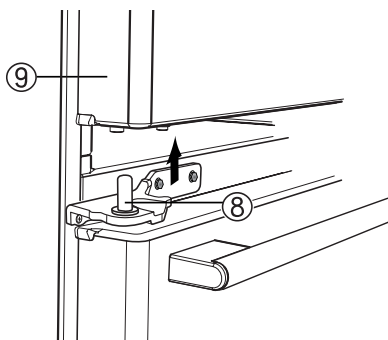
- 2) Disengage the hooks on the connector - cover (4) protecting the connector and open it. Push the lever-hook (5) on the connector and disconnect the wires.



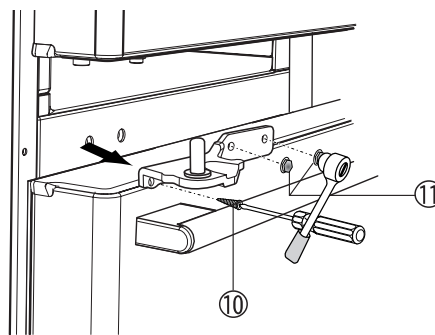
- 3) Pull and open the latch (6), and take off the door hinge (7) along the arrow. Be careful when removing the door to ensure that it does not fall on you.



- 4) Remove the door from the lower hinge (8) carefully lifting the door (9).



- 5) Remove the phillips screw (10) and two hex head screws (11) from the lower hinge

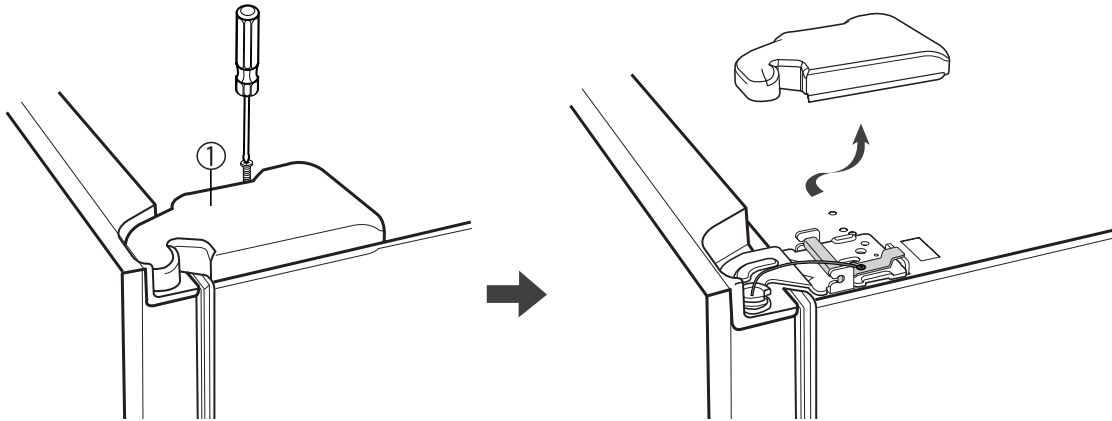


REMOVING THE REFRIGERATOR DOORS

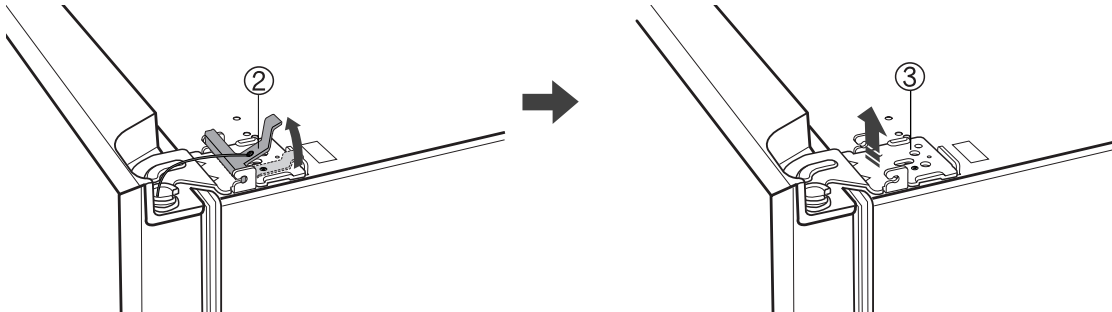


Removing the Fridge Door

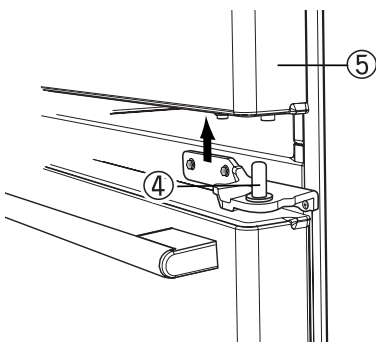
1) With the door closed, remove the upper hinge cover (①) using a screwdriver.



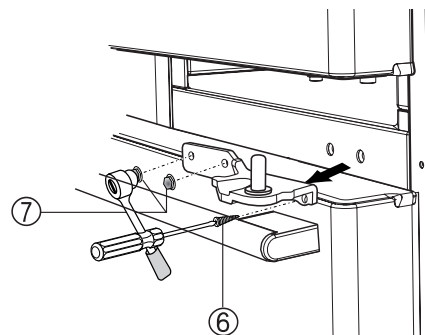
2) Pull and open the latch (②), and take off the door hinge (③) along the arrow.



3) Remove the door from the lower hinge (④) by lifting the door (⑤).



4) Remove the phillips screw (⑥) and two hex head screws (⑦) from the lower hinge.

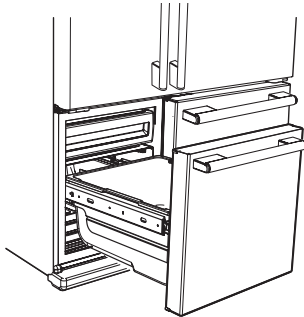


REMOVING THE REFRIGERATOR DOORS

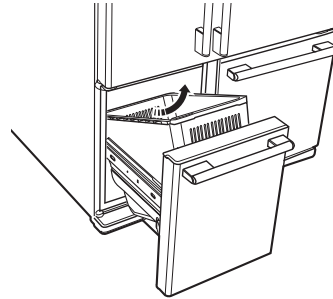


How to disassemble/assemble the Arctic Select Zone Door

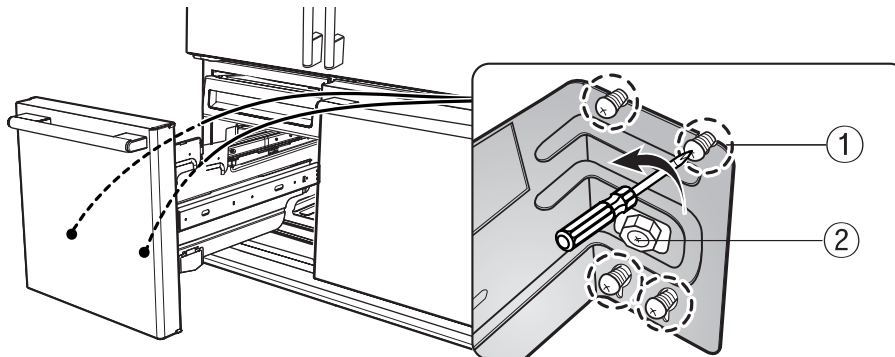
1) Open the Arctic Select Zone Door.



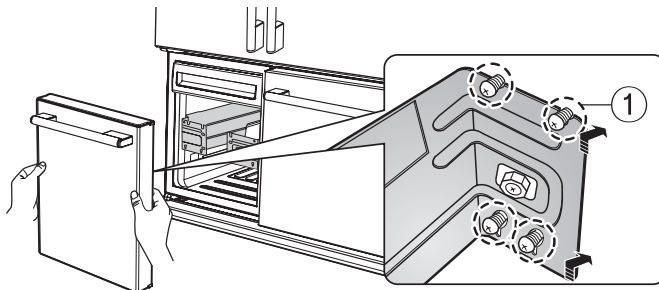
2) Take out the box in the Arctic Select Zone Door.



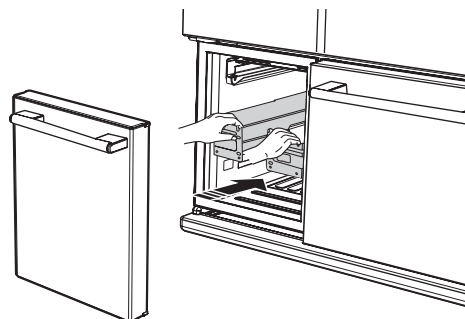
3) Locate the eight phillips screws in the Arctic Select Zone. To lift the door up, unscrew the eight phillips screws(①) four turns. Do not remove the screws (①) out. (You don't need to unscrew the adjuster-phillips screw(②))



4) Remove the door carefully from the rail lifting up the door with both hands. To allow screw(①) heads to pass through the rail holes.



5) Slide the rail carefully to the inside.



NOTE

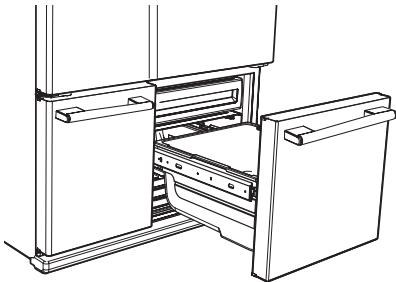
When you assemble the Arctic Select Zone Door, follow the instructions above in reverse order.

REMOVING THE REFRIGERATOR DOORS

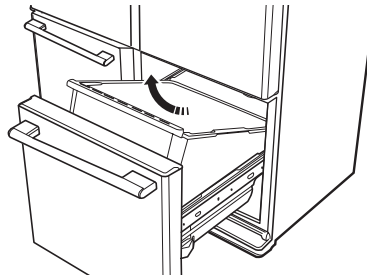


How to disassemble/assemble the Fresh Select Zone Door

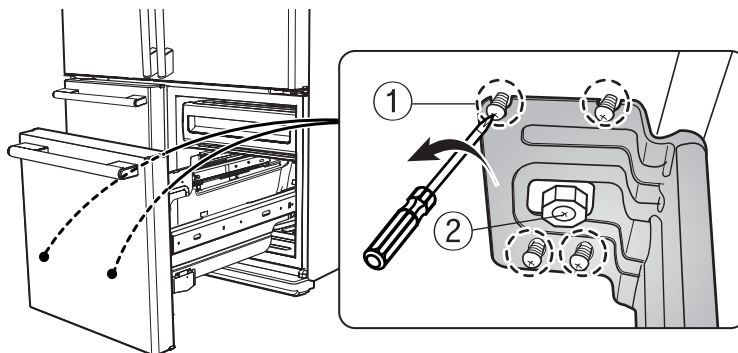
1) Open the Fresh Select Zone Door.



2) Take out the box in the Fresh Select Zone.

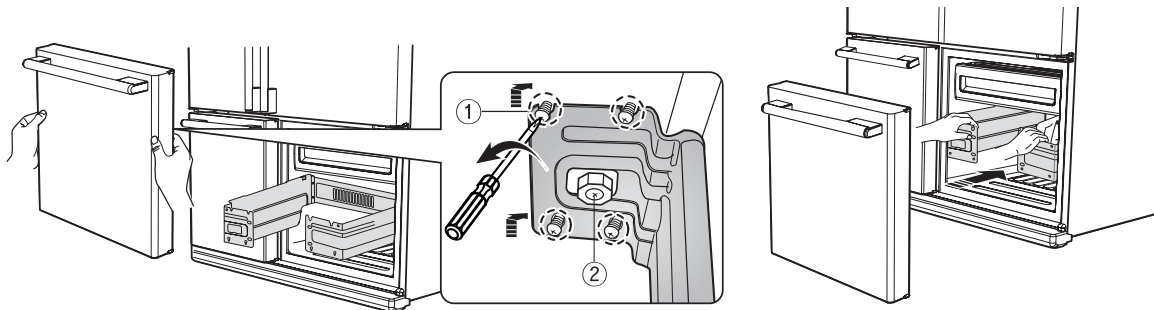


3) Locate the eight phillips screws in the Fresh Select Zone. To lift the door up, unscrew the eight phillips screws(①) four turns. Do not remove the screws (①) out.
(You don't need to unscrew the adjuster-phillips screw(②))



4) Remove the door carefully from the rail lifting up the door with both hands. To allow screw(①) heads to pass through the rail holes.

5) Slide the rail carefully to the inside.



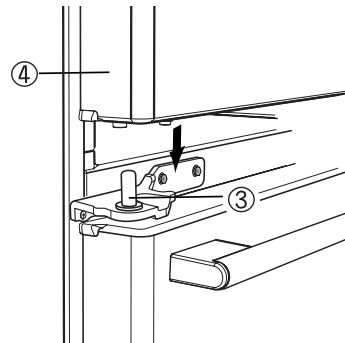
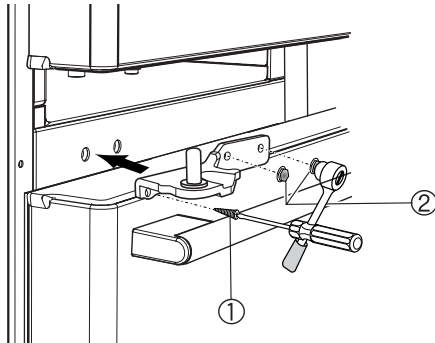
NOTE When you assemble the Fresh Select Zone Door, follow the instructions above in reverse order.

REATTACHING THE REFRIGERATOR DOORS

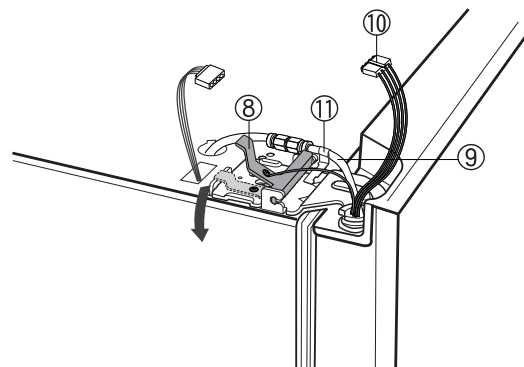
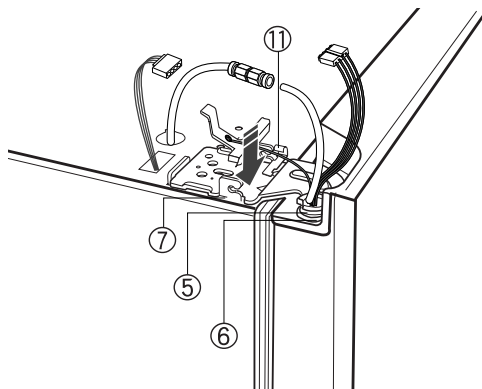


Reattaching the Freezer Door

- 1) Reattach a phillips screw (①) and two hex head screws (②) to the hinge.
- 2) Place the hole in the bottom of the door (④) over the hinge (③).



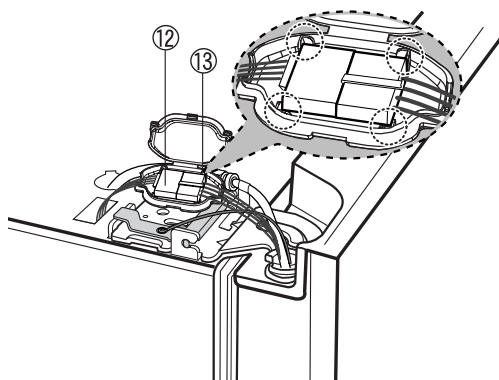
- 3) Insert the upper hinge shaft (⑤) into the hole (⑥). After levelling between the hinge brackets (⑦). Reattach and close the latch (⑧) along the arrow. Connect the water tube (⑨) and the wires (⑩). Then, place the water tube (⑨) on the hanger (⑪)



NOTE

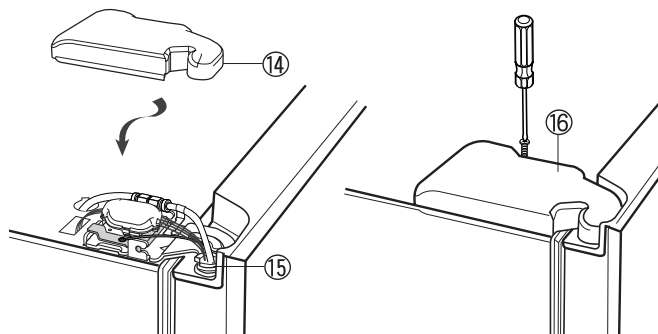
Be sure to insert the water tube and push to the end.

- 4) Put the connector (⑫) in the guide (⑬) of the connector-cover and close it.



- 5) Put the front part of the upper hinge cover (⑭) on the front part of the upper hinge (⑮) and reattach it from the front of the upper hinge cover first.

- 6) Reattach a phillips screw to the hinge cover (⑯).

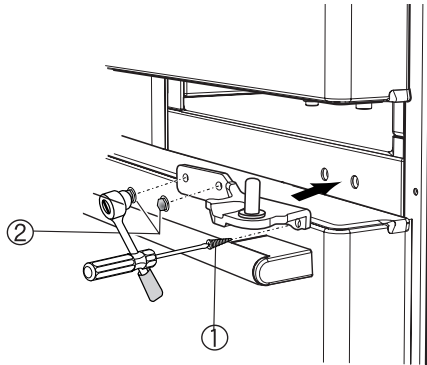


REATTACHING THE REFRIGERATOR DOORS

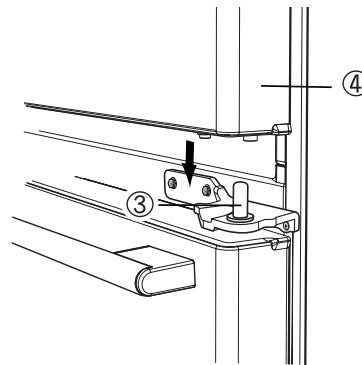


Reattaching the Fridge Door

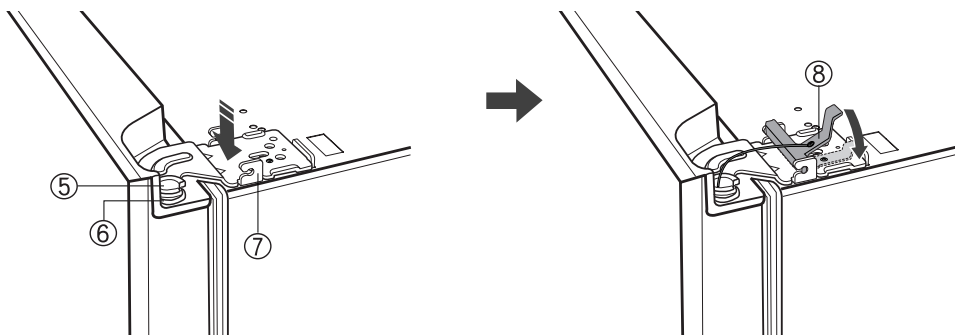
1) Reattach a phillips screw (①) and two hex head screws (②) to the hinge.



2) Place the hole in the bottom of the door (④) over the hinge (③).

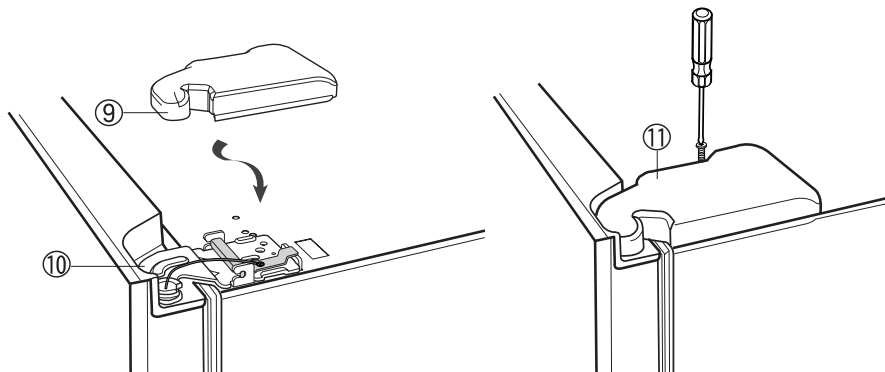


3) Insert the upper hinge shaft (⑤) into the hole (⑥). After levelling between the hinge brackets (⑦). Reattach and close the latch (⑧) along the arrow.



4) Put the front part of the upper hinge cover (⑨) on the front part of the upper hinge (⑩) and reattach it from the front part of the upper hinge cover first.

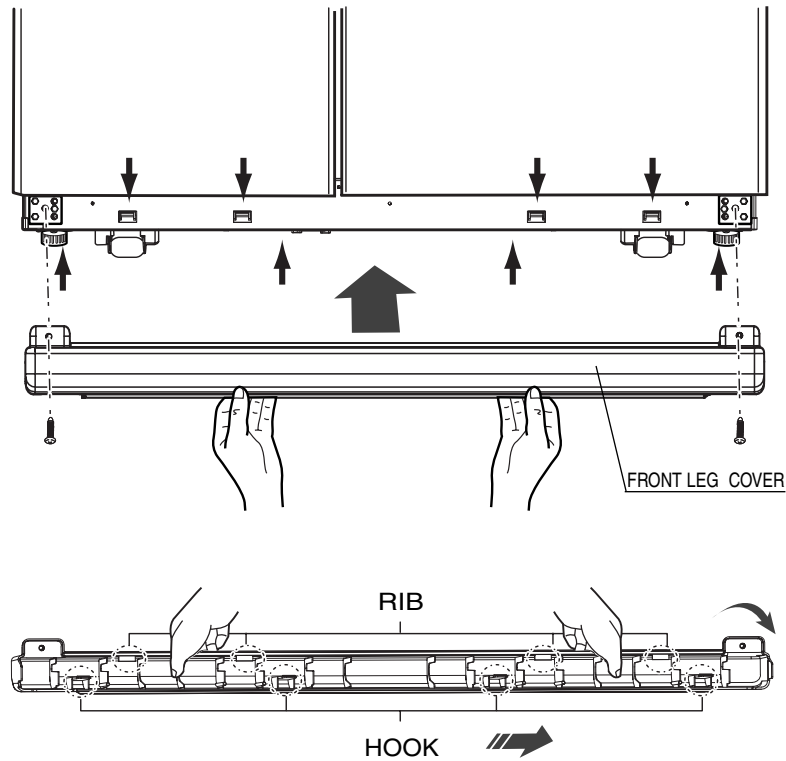
5) Reattach a phillips screw to the hinge cover (⑪).



REATTACHING THE REFRIGERATOR DOORS



Reattaching the Front Leg Cover



Hold the front leg-cover with both hands and insert it by sliding the hooks along the guide at the bottom.
Then, lift up the leg-front-cover a little bit and snap the upper ribs into the locking tabs.
Tighten two phillips screws to the front leg cover.

CHECKING THE WATER DISPENSER LINE

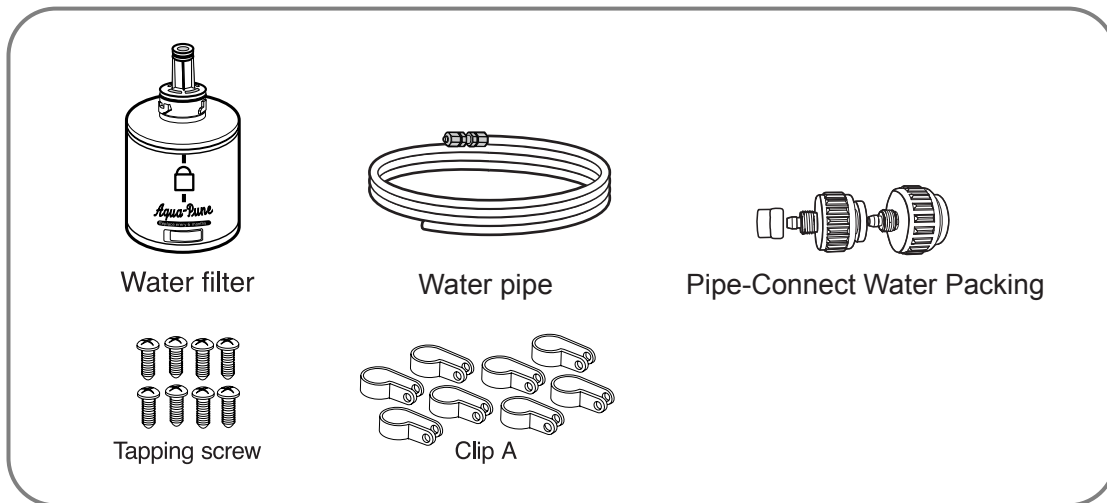
- 1) In order to operate the ice maker properly, water pressure of 1.4 ~ 8.5kgf/cm² (0.14~0.83Mpa, 19.9~120.9psi, 1.37~8.3bar) is required.
In this range a 100 cc paper cup can be filled in 10 seconds.
- 2) The water filter removes particles. It does not sterilize or destroy any micro-organisms.
- 3) If the refrigerator is installed in an area with low water pressure (1.4kgf/cm², 0.14Mpa, 19.9psi, 1.37bar), you should install a booster pump to compensate for the low pressure.
- 4) Ensure the water storage tank inside the refrigerator is properly filled initially. Push the water dispenser lever until the water runs from the outlet.



A universal water supply kit is available at extra cost from your dealer. The refrigerator manufacturer recommends using a water supply kit containing copper tubing.



Checking the Parts



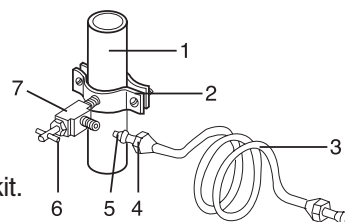
INSTALLATION OF THE WATER DISPENSER LINE

(Case 1)



Connecting to water supply line

- Shut off the main water supply line and turn the Ice maker to the off position.
- Locate the nearest cold drinking water line.
- Follow the instructions in the ice maker installation kit.



1. Cold Water line
2. Pipe Clamp.
3. Copper (or Plastic) line
4. Compression Nut
5. Compression Sleeve
6. Shut Off Valve
7. Packing Nut.

INSTALLATION OF THE WATER DISPENSER LINE



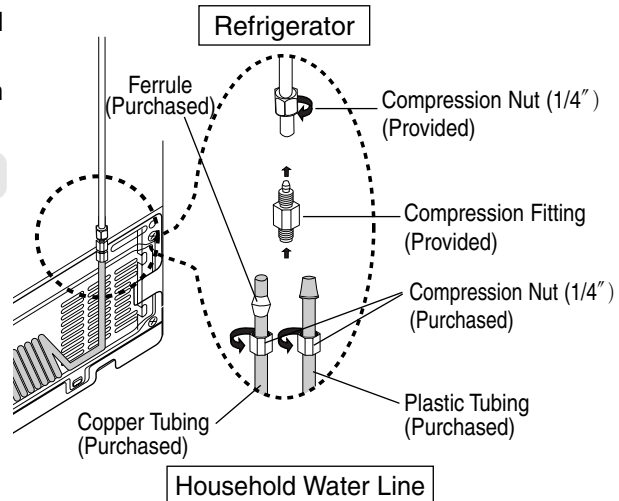
Connect the water line to the refrigerator.

- 1) Slip the compression nut through the provided plastic tubing.
- 2) Tighten the compression nut onto the 6.35mm compression fitting.



NOTE Do not overtighten the compression nut.

- Using Copper Tubing
 - Slip the compression nut and ferrule on copper tubing as shown.
 - Using Plastic Tubing
 - Insert the molded end of the plastic tubing into the compression fitting.
- 3) Tighten the compression nut onto the compression fitting.
 - 4) Turn water on and check for any leakage.



NOTE Water line must be connected to drinkable water only.
Cut off 6.35mm of the provided plastic tubing squarely to prevent leaks when reconnecting.

(Case 2)



Check the water supply line

- Connect the water pipe with coupler and tap.
- Close the main water tap.
 - Connect coupler "A" to the tap.
 - Every joint should be protected with sealing tape.

WARRANTY INFORMATION

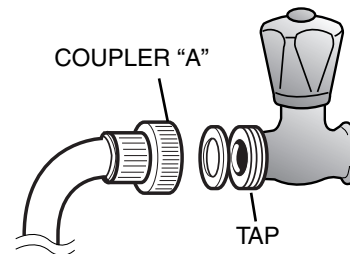
This water line installation is not covered by the Samsung refrigerator's warranty. Follow these instructions carefully to minimise the risk of expensive water damage.

Note:

If the coupler does not fit on the current tap, go to the nearest authorized service dealer and purchase the right coupler fittings.

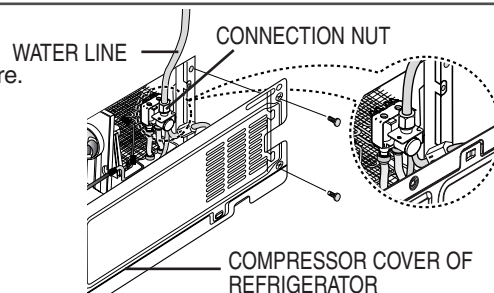
CAUTION

The water line must be connected to the cold water pipe. If it is connected to the hot water pipe, it may cause the purifier to malfunction.



Connect the water line to the refrigerator.

- Remove the compressor cover of the refrigerator.
- Connect the water line to the valve, as shown in the figure.
- When connected, check if there is any leakage. If any, repeat the connection.
- Reattach the compressor cover of the refrigerator.

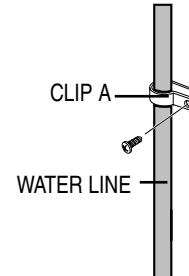


INSTALLATION OF THE WATER DISPENSER LINE



Secure the water line.

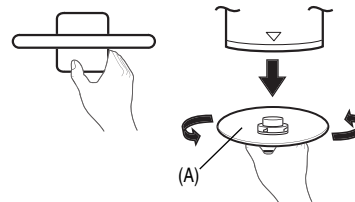
- Using clip "A", fix the water line to the wall (the back of refrigerator).
- When the water line is secure, make sure it is not excessively bent, pinched or squashed.
- Complete the installation of the water supply line.
- Power on the refrigerator and press the lever on the right of the dispenser until water runs out through the water line and all air has been emptied.
- At this time, check for any possible leakages at the join point in the water line.
- After securing the water line, move the refrigerator to the required location.



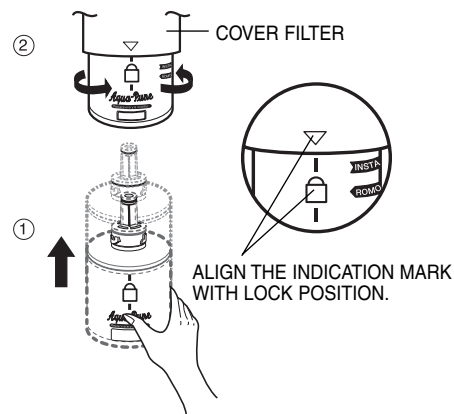
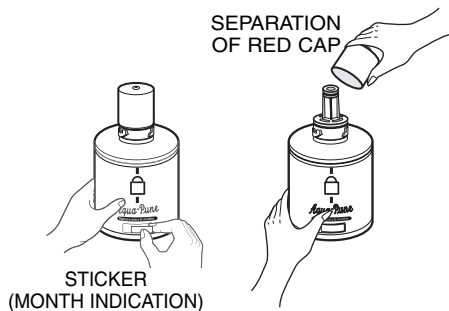
Install the water filter.

- 1) Remove the fixed cap (A) as shown. the fixed cap separates from the Water Filter Compartment by rotating it counterclockwise. Remove the water filter from the box and put a month indicator stick on the filter as shown.

NOTE Keep the cap(A) in a safe place for recapping, when you don't need to use the filter.



- 2) If the water filter was installed in March, put on the "SEP" sticker.
- 3) Remove the Red protective cap from the filter, then position and insert the filter as shown.
- 4) Slowly turn the water filter clockwise 90° to align the indication mark on the cover, locking the filter in position. Do not overtighten.



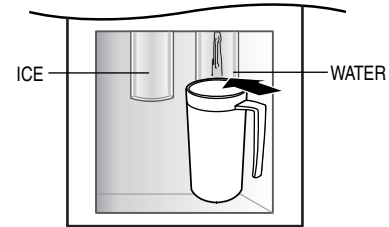
NOTE Please check that the indication line aligns with the lock position.

INSTALLATION OF THE WATER DISPENSER LINE



Remove any residual matter inside the water supply line after installing filter.

- 1) Turn on the main water supply & shut-off the valve of the water supply line.
- 2) Run water through the dispenser until the water runs clear (6~7 minutes). This will clean the water supply system and clear air from the lines.
- 3) Additional flushing may be required in some households.
- 4) Open the fridge door and check if water leaks around the water filter.



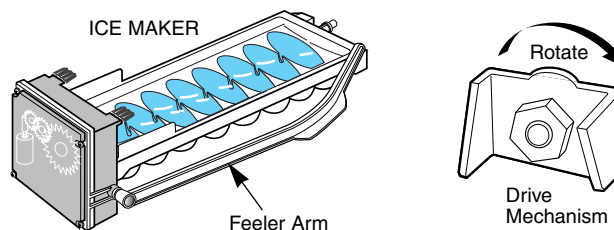
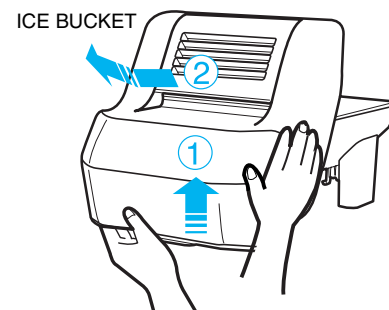
NOTE

- A newly-installed water filter cartridge may cause water to briefly spurt from the dispenser.



Check the amount of water supplied to the ice tray.

- 1) **To remove** : Set the type of ice to the “Ice Off” position. Lift up (①) and pull out (②) the ice bucket in the freezer.
To replace : When replacing the drawer, be sure to press it firmly into place. If it does not go all the way back, remove it and rotate the drive mechanism 1/4 turn. Then push the drawer back again.
- 2) Throw away the first few batches of ice to allow the water line to clear.
Be sure nothing interferes with the sweep of the feeler arm.
When the bin fills to the level of the feeler arm, the icemaker will stop producing ice.
It is normal for several cubes to be joined together.
If ice is not used frequently, old ice cubes will become cloudy, taste stale and shrink.



NOTE

- Place the ice tray at the originally provided position by manufacturer in order to achieve optimal ice-freezing.

INSTALLATION OF THE WATER DISPENSER LINE

3) Important Facts About Your Dispenser :

Do not add ice from trays or bags to the storage bin. It may not crush or dispense well.

Avoid overfilling glass with ice and use of narrow or extra-tall glasses. Backed-up ice can jam the chute or cause the door in the chute to freeze shut. If ice is blocking the chute, poke it through with a wooden spoon.

Beverages and foods should not be quick-chilled in the ice storage bin.

To keep dispensed ice from missing the glass, put the glass close to, but not touching, the dispenser opening.

Some crushed ice may be dispensed even though you selected CUBES. This happens occasionally when a few cubes accidentally get directed to the crusher.

After crushed ice is dispensed, some water may drip from the chute.

4) Water Supply to the Icemaker :

The icemaker must be connected to a cold water line.

5) Start the Icemaker :

Set the type of ice to the "Cubed Ice" or "Crushed Ice" position. The icemaker will not begin to operate until it reaches its operating of 10.4°F(-12°C) or below. It will then begin operation automatically if the type of ice is in the "Cubed Ice" or "Crushed Ice" position.



NOTE

- If there is no water supply, turn off the icemaker to save energy.
- In lower water pressure conditions, the water valve may turn on up to 3 times to make sure enough water reaches the icemaker.
- Allow the appliance to stand for 2hours after installation.



WARNING

Use only the ice maker provided with the refrigerator.

BEFORE YOU CALL FOR SERVICE...

Problem	Possible Causes	What To Do
The refrigerator does not work sufficiently or at all	• Disconnected power plug	• Check that the power plug is properly connected.
	• Is the temperature control on the display panel set to the correct temperature?	• Try setting it to a lower temperature.
	• Is the refrigerator in direct sunlight or located near a heat source?	• Move the refrigerator to the proper location.
	• Is the back of the refrigerator too close to the wall?	
The food in the refrigerator is frozen	• Is the temperature control on the display panel set to the correct temperature?	• Try setting it to a warmer temperature.
	• Is the temperature in the room too low?	
	• Did you store the food with a high water content in the coldest part of the refrigerator.	
Unusual noises or sounds are heard	• Is the back of the refrigerator too near to the wall?	• Check that the floor is levelled and stable. • Move the refrigerator to the proper location.
	• Was anything dropped behind or under the refrigerator?	• Remove the foreign object.
	• A “ticking” sound may be heard from inside the refrigerator. This is normal and occurs because various accessories contract or expand.	
The front corners and sides of the cabinet are hot; condensation occurs	• Anti-condensators are installed in the front corners of the refrigerator to prevent condensation.	
	• Condensation can occur when you leave the door open for a long time.	• Normal state
Ice is not dispensed	• Did you stop the ice making function?	
	• Is there any ice in the storage unit?	• See the control panel.
	• Is the water pipe connected and the shut-off valve open?	• See the ice container. • See the valve.
	• Is the freezer temperature too warm?	
	• Did you wait for 12 hours after installation of the water supply line before making ice?	• Set the temperature lower.
You can hear water bubbling in the refrigerator	• The bubbling comes from the refrigerant circulating in the refrigerator and is normal.	• Normal state
There is a bad smell in the refrigerator	• Wrap strong smelling food so that it is airtight. Throw away any rotten food.	
Frost forms on the wall of the freezer		• Allow sufficient space between stored food for efficient air circulation.
	• Is the air vent blocked?	
	• Is the door closed properly?	
No water is supplied	• Is the water pipe connected and the shut-off valve open?	
	• Is the water supply pipe crushed?	
	• Is the water tank frozen because the refrigerator temperature is too low? Select a warmer setting on the display panel.	
Door/ drawer does not close by itself	• Leveling legs need adjusting	• See installation of the refrigerator

BEFORE YOU CALL FOR SERVICE...

Problem	Possible Causes	What To Do
Small or hollow cubes	Water filter clogged.	<ul style="list-style-type: none"> • Replace the filter cartridge with a new cartridge or with plug.
Slow ice cube freezing	Door left open.	<ul style="list-style-type: none"> • Check to see if package is holding door open.
	Temperature control was not set cold enough.	<ul style="list-style-type: none"> • See about the controls.
Orange glow in the freezer	Defrost heater is on.	<ul style="list-style-type: none"> • This is normal.
Cube dispenser does not work(Optional)	Icemaker turned off or water supply turned off.	<ul style="list-style-type: none"> • Turn on icemaker or water supply.
	Ice cubes are frozen to ice-maker feeler arm.	<ul style="list-style-type: none"> • Remove cubes and move the feeler arm to the ON position.
	Irregular ice clumps in storage container.	<ul style="list-style-type: none"> • Break up and discard remaining clumps. • Freezer may be too warm. Adjust the freezer control to a colder setting, one position at a time, until clumps do not form.
	Dispenser is LOCKED.	<ul style="list-style-type: none"> • Press and hold the CHILD LOCK for 3 seconds.
Water has poor taste/odor (Optional)	Water dispenser has not been used for a long time.	<ul style="list-style-type: none"> • Dispense water until all water in system is replenished.
Water in first glass is warm (Optional)	Normal when refrigerator is first installed.	<ul style="list-style-type: none"> • Wait 24 hours for the refrigerator to completely cool down.
	Water dispenser has not been used for a long time.	<ul style="list-style-type: none"> • Dispense water until all water in system is replenished.
	Water system has been drained.	<ul style="list-style-type: none"> • Allow several hours for replenished supply to chill.
Water dispenser does not work(Optional)	Water supply line turned off or not connected.	<ul style="list-style-type: none"> • See Installing the water line.
	Water filter clogged.	<ul style="list-style-type: none"> • Replace filter cartridge or remove filter and install plug.
	Air may be trapped in the water system.	<ul style="list-style-type: none"> • Press the dispenser arm for at least two minutes.
	Dispenser is LOCKED.	<ul style="list-style-type: none"> • Press and hold the CHILD LOCK pad for 3 seconds.
Water spurting from dispenser(Optional) Water is not dispensed (Optional) but icemaker is working	Newly-installed filter cartridge.	<ul style="list-style-type: none"> • Run water from the dispenser for 3 minutes (about one and a half gallons).
	Water in reservoir is frozen.	<ul style="list-style-type: none"> • Call for service.
	Refrigerator control setting is too cold.	<ul style="list-style-type: none"> • Set to a warmer setting.
	Ice cubes stuck in icemaker. (Green power light on icemaker blinking).	<ul style="list-style-type: none"> • Turn off the icemaker, remove cubes, and turn the icemaker back on.
Water on kitchen floor or on bottom of freezer	Drain in the bottom of the freezer clogged.	<ul style="list-style-type: none"> • See Care and cleaning. • Check the filter lock.
	Cubes jammed in chute.	<ul style="list-style-type: none"> • Poke ice through with a wooden spoon.
No water or ice cube production	Supply line or shutoff valve is clogged.	<ul style="list-style-type: none"> • Call a plumber.
	Water filter clogged.	<ul style="list-style-type: none"> • Replace filter cartridge or remove filter and install plug.
	Dispenser is LOCKED.	<ul style="list-style-type: none"> • Press and hold the CHILD LOCK pad for 3 seconds.

MEMO

Ambient Room Temperature Limits

This appliance is designed to operate at the ambient temperatures specified by its temperature class marked on the rating plate.

Temperature Class	Symbol	Ambient Temperature	
		Maximum	Minimum
Extended Temperate	SN	32°C (90°F)	10°C (50°F)
Temperate	N	32°C (90°F)	16°C (61°F)
Subtropical	ST	38°C (100°F)	18°C (64°F)
Tropical	T	43°C (109°F)	18°C (64°F)

NOTE: The internal temperature may be affected by such factors as the location of the appliance, ambient temperature and the frequency with which you open the doors.
Adjust the temperature as required to compensate for these factors.

English



Correct Disposal of This Product (Waste Electrical & Electronic Equipment) (Applicable in the European Union and other European countries with separate collection systems)

This marking shown on the product or its literature, indicates that it should not be disposed with other household wastes at the end of its working life. To prevent possible harm to the environment or human health from uncontrolled waste disposal, please separate this from other types of wastes and recycle it responsibly to promote the sustainable reuse of material resources.

Household users should contact either the retailer where they purchased this product, or their local government office, for details of where and how they can take this item for environmentally safe recycling.

Business users should contact their supplier and check the terms and conditions of the purchase contract. This product should not be mixed with other commercial wastes for disposal.

Contact SAMSUNG WORLD WIDE

If you have any questions or comments relating to Samsung products, please contact the SAMSUNG customer care center.

Country	Customer Care Center ☎	Web Site
AUSTRALIA	1300 362 603	www.samsung.com/au
CHILE	800-726-7864(SAMSUNG)	www.samsung.com/cl
CZECH REPUBLIC	844 000 844	www.samsung.com/cz
FRANCE	3260 SAMSUNG(7267864) or 08 25 08 65 65 (€ 0,15/min)	www.samsung.com/fr
GERMANY	01805 - 121213 (€ 0,14Min)	www.samsung.de
HONG KONG	3698 - 4698	www.samsung.com/hk
HUNGARY	06-80-SAMSUNG(7267864)	www.samsung.com/hu
INDONESIA	0800 112 8888	www.samsung.com/id
ITALIA	800-SAMSUNG(7267864)	www.samsung.com/it
MALAYSIA	1800-88-9999	www.samsung.com/my
MEXICO	01-800-SAMSUNG (7267864)	www.samsung.com/mx
NETHERLANDS	0900 20 200 88 (€ 0.10/Min)	www.samsung.com/nl
PHILIPPINES	1800-10-SAMSUNG (7267864)	www.samsung.com/ph
POLAND	0 801 801 881	www.samsung.com/pl
RUSSIA	8-800-200-0400	www.samsung.ru
SINGAPORE	1800-SAMSUNG (7267864)	www.samsung.com/sg
SLOVAKIA	0800-SAMSUNG(7267864)	www.samsung.com/sk
SOUTH AFRICA	0860 7267864 (SAMSUNG)	www.samsung.com/za
SPAIN	902 10 11 30	www.samsung.com/es
TAIWAN	0800-329-999	www.samsung.com/tw
THAILAND	1800-29-3232, 02-689-3232	www.samsung.com/th
TRINIDAD & TOBAGO	1-800-7267-864	www.samsung.com/latin
U.A.E	800SAMSUNG (7267864), 8000-4726	www.samsung.com/mea
U.K	0870 SAMSUNG (7267864)	www.samsung.com/uk
REPUBLIC OF IRELAND	0818 717 100	www.samsung.com/uk
U.S.A	1-800-SAMSUNG (7267864)	www.samsung.com
VENEZUELA	0-800-100-5303	www.samsung.com/latin
VIETNAM	1 800 588 889	www.samsung.com/vn