



**User Manual:
GSM2218PB001MAN**

**Enfora MT-GL (GSM/GPRS)
User Manual**

Release 1.03

Confidential and Proprietary Information - © 2005 Enfora, L.P.
Do not duplicate without express permission from Enfora, L.P.

Enfora L.P. 661 E. 18th Street Plano Texas 75074
www.enfora.com

Version:	1.03
Date:	04/07/06
Status:	Released
Document Control ID:	GSM2218PB001MAN

General

All efforts have been made to ensure the accuracy of material provided in this document at the time of release. However, the items described in this document are subject to continuous development and improvement. All specifications are subject to change without notice and do not represent a commitment on the part of Enfora, L.P. Enfora, L.P. will not be responsible for any loss or damages incurred related to the use of information contained in this document.

This product is not intended for use in life support appliances, devices or systems where a malfunction of the product can reasonably be expected to result in personal injury. Enfora, L.P. customers using, integrating, and/or selling this product for use in such applications do so at their own risk and agree to fully indemnify Enfora, L.P. for any damages resulting from illegal use or resale.

Copyright

Complying with all applicable copyright laws is the responsibility of the user. Without limiting the rights under copyright, no part of this document may be reproduced, stored in or introduced into a retrieval system, or transmitted in any form or by any means (electronic, mechanical, photocopying, recording or otherwise), or for any purpose, without the express written permission of Enfora, L.P.

Enfora may have patents, patent applications, trademarks, copyrights or other intellectual property rights covering subject matter in this document. Except as expressly provided in any written license agreement from Enfora, the furnishing of this document does not give you any license to these patents, trademarks, copyrights or other intellectual property.

©2005, Enfora, L.P. All rights reserved.

Enabler is a registered trademark or trademark of Enfora, L.P. in the United States.

Regulatory Compliance

FCC

The modem was tested and certified to meet FCC Parts 15 in a stand-alone configuration, which demonstrated that the GSM2218 MT-GL complies with Part 15 emission limits. FCC Part 22 & Part 24 is covered by the Enfora Enabler-IIG "modular approval" process for a transmitter. This approach, described by FCC Public Notice DA 00-131407 released June 26, 2000, is intended to afford relief to equipment manufacturers by eliminating the requirement for obtaining a new equipment authorization for the same transmitter when installed in a new device.

In order to use the GSM2218 MT-GL without additional FCC certification approvals, the installation must meet the following conditions:

For the transmitter to meet the MPE categorical exclusion requirements of 2.1091, the ERP must be less than 1.5 watts for personnel separation distance of at least 20 cm (7.9 in). Therefore, the maximum antenna gain cannot exceed +3.3dBi. If greater than 1.5 watts exists, then additional testing and FCC approval is required.

R&TTE -

The GSM2218 MT-GL modem has been fully tested and complies with all the requirements of EN301 489-1, EN301 489-7 and EN60950-1:2001. Compliance to EN301 511 has been demonstrated by testing on both the GSM2218 and the integrated GSM0108 module.

Disclaimer

The information and instructions contained within this publication comply with all FCC, GCF, PTCRB, R&TTE, IMEI and other applicable codes that are in effect at the time of publication. Enfora disclaims all responsibility for any act or omissions, or for breach of law, code or regulation, including local or state codes, performed by a third party.

Enfora strongly recommends that all installations, hookups, transmissions, etc., be performed by persons who are experienced in the fields of radio frequency technologies. Enfora acknowledges that the installation, setup and transmission guidelines contained within this publication are guidelines, and that each installation may have variables outside of the guidelines contained herein. Said variables must be taken into consideration when installing or using the product, and Enfora shall not be responsible for installations or transmissions that fall outside of the parameters set forth in this publication.

Enfora shall not be liable for consequential or incidental damages, injury to any person or property, anticipated or lost profits, loss of time, or other losses incurred by Customer or any third party in connection with the installation of the Products or Customer's failure to comply with the information and instructions contained herein.

Warranty Information

LIMITED WARRANTY

Scope

Enfora warrants to the original purchaser of the product that, for a period of one (1) year from the date of product purchase, the product hardware, when used in conjunction with any associated software (including any firmware and applications) supplied by Enfora, will be free from defects in material or workmanship under normal operation. Enfora further warrants to such original purchaser that, for a period of ninety (90) days from the date of product purchase, any software associated with the product will perform substantially in accordance with the user documentation provided by Enfora, and any software media provided with the product will be free from defects in material or workmanship under normal operation. Enfora does not warrant that (a) the product hardware or any associated software will meet the purchaser's requirements, (b) that the operation of the product hardware or software will be uninterrupted or error-free, or (c) the product, when integrated in, or combined with, other products or software not supplied by Enfora, will continue to perform substantially in accordance with the user documentation. This limited warranty is only for the benefit of the original purchaser and is not transferable. No other party may act on behalf of such purchaser for the purpose of claiming or exercising any rights or benefits under or in connection with this limited warranty except as may be provided in a written agreement between Enfora and such other party.

Hardware

During the warranty period applicable to the product hardware, Enfora, at its expense and in its sole discretion, will repair or replace the product if it is determined to have a covered hardware defect, provided that the purchaser first notifies Enfora of any such defect, furnishes Enfora with a proof of purchase, requests and obtains a return merchandise authorization (RMA) number from Enfora, and returns the product, shipping charges prepaid, to Enfora under that RMA. If, upon reasonable examination of the returned product, Enfora does not substantiate the defect claimed by purchaser, or determines that the defect is not covered under this limited warranty, Enfora will not be required to repair or replace the product, but may instead reship the product to the purchaser, in which case purchaser shall be responsible for paying Enfora's usual charges for unpacking, testing, and repacking the product for reshipment to purchaser. Purchaser shall bear the risk of loss or damage in transit to any product returned by purchaser to Enfora, or any returned product not found to be defective or covered under this warranty and reshipped by Enfora to purchaser. In the event Enfora repairs or replaces a defective product, the repaired or replacement product will be covered under this limited warranty for the remainder of the original warranty period on the defective product. If Enfora is unable to repair or replace a defective product, the purchaser's exclusive remedy shall be a refund of the original purchase price. Any returned and replaced product, or any product for which Enfora has refunded the original purchase price, becomes the property of Enfora.

Software

During the warranty period applicable to the software or its media, Enfora, at its expense, will replace any defective software or media if purchaser gives written notification of the defect to the technical support department at Enfora during the applicable warranty period. Enfora will ship or otherwise transmit the replacement software or media to purchaser, and purchaser shall be responsible for incorporating any replacement software in the product. Enfora shall not have any obligation to provide any software bug fixes, upgrades or new releases except as may be necessary to correct any covered defect of which purchaser notifies Enfora in writing during the applicable warranty period. Enfora, from time to time and in its sole discretion, may make available for download on its website (www.enfora.com) certain software bug fixes, upgrades or new releases for the product. The purchaser should periodically visit such website to determine whether any such bug fixes, upgrades or new releases have become available. Download and use of any such bug fixes, upgrades or new releases is subject to all of the applicable terms and conditions of Enfora's technical support policy as posted and updated on its website.

Exceptions and Disclaimers

Enfora shall have no obligation under this limited warranty for (a) normal wear and tear, (b) the cost of procurement of substitute products or (c) any defect that is (i) discovered by purchaser during the warranty period but purchaser does not notify or request an RMA number from Enfora, as required above, until after the end of the warranty period, (ii) caused by any accident, misuse, abuse, improper installation, handling or testing, or unauthorized repair or modification of the product, (iii) caused by use of any software other than any software supplied by Enfora, or by use of the product other than in accordance with its documentation or (iv) the result of electrostatic discharge, electrical surge, fire, flood or similar causes. Unless otherwise provided in a written agreement between the purchaser and Enfora, the purchaser shall be solely responsible for the proper configuration, testing and verification of the product prior to deployment in the field.

ENFORA'S SOLE RESPONSIBILITY AND PURCHASER'S SOLE REMEDY UNDER THIS LIMITED WARRANTY SHALL BE TO REPAIR OR REPLACE THE PRODUCT HARDWARE, SOFTWARE OR SOFTWARE MEDIA (OR IF REPAIR OR REPLACEMENT IS NOT POSSIBLE, OBTAIN A REFUND OF THE PURCHASE PRICE) AS PROVIDED ABOVE. ENFORA EXPRESSLY DISCLAIMS ALL OTHER WARRANTIES OF ANY KIND, EXPRESS OR IMPLIED, INCLUDING WITHOUT LIMITATION ANY IMPLIED WARRANTIES OF NON-INFRINGEMENT, MERCHANTABILITY, SATISFACTORY PERFORMANCE AND FITNESS FOR A PARTICULAR PURPOSE. IN NO EVENT SHALL ENFORA BE LIABLE FOR ANY INDIRECT, SPECIAL, EXEMPLARY, INCIDENTAL OR CONSEQUENTIAL DAMAGES (INCLUDING WITHOUT LIMITATION LOSS OR INTERRUPTION OF USE, DATA, REVENUES OR PROFITS) RESULTING FROM A BREACH OF THIS WARRANTY OR BASED ON ANY OTHER LEGAL THEORY, EVEN IF ENFORA HAS BEEN ADVISED OF THE POSSIBILITY OR LIKELIHOOD OF SUCH DAMAGES.

Other Considerations

Some jurisdictions may require a longer warranty period than specified above and, accordingly, for products sold in those jurisdictions the applicable warranty period shall be extended as required under the laws of those jurisdictions. Furthermore, some jurisdictions may not allow the disclaimer of implied warranties or the exclusion or limitation of incidental or consequential damages, so the above disclaimer, limitation or exclusion may not apply to products sold in those jurisdictions. This limited warranty gives the purchaser specific legal rights and the purchaser may have other legal rights that vary from jurisdiction to jurisdiction.

In some instances, certain aspects of the product warranty may also be covered in a separate written agreement between Enfora and the distributor or reseller, if any, from whom purchaser purchased the product. That agreement may provide, for example, a different product return procedure that may also be available to purchaser (e.g., the product may be returned to Enfora through that distributor or reseller).

Governing Law

This limited warranty shall be governed by the laws of the State of Texas, United States of America, without regard to conflict of laws principles. This limited warranty shall not be governed in any respect by the United Nations Convention on Contracts for the International Sale of Goods.

Date	Rev	Author	Description
November 11, 2005	1.00	Mike Cook	Released
December 7, 2005	1.01		Added warning in section 2.7 regarding voltage
January 4, 2006	1.02	Diane O'Neil	Clarified Pin 1 description
April 7, 2006	1.03	Diane O'Neil	Added CE information

Table Of Contents

1	Introduction	1
1.1	About the GSM/GPRS MT-GL.....	1
1.2	About This Manual.....	1
1.3	Contents of Basic Package	1
1.4	Available Accessories.....	1
1.5	System Requirements	1
1.6	MT-GL Front and Back View	2
1.7	Product Specifications	3
2	Installation.....	4
2.1	Mounting Dimensions	4
2.2	Installing Cables	7
2.2.1	12 pin Connector.....	8
2.2.2	MT-GL Serial Adapter (Optional)	9
2.3	Installing Subscriber Identity Module (SIM) Card	12
2.4	Audio In/Audio Out.....	13
2.5	Connecting GSM/GPRS modem Antenna.....	14
2.6	Connecting GPS Antenna	15
2.7	Connecting the Power Source.....	16
2.8	LED Operation	17
3	Additional Software Features	18
4	Appendix 1 – Cable Wiring Diagrams.....	20

Table of Figures

Figure 1 - Enfora MT-GL Front View	2
Figure 2 - Enfora MT-GL Back View.....	2
Figure 3 - Mounting dimensions of a MT-GL (Shown with mounting plate)	4
Figure 4 - MT-GL Mounting Bracket (attached).....	5
Figure 5 - MT-GL Mounting Bracket (separated)	6
Figure 6 - MT-GL Bracket Installation.....	6
Figure 7 - MT-GL Bracket Installation.....	7
Figure 8 - I/O Connector	8
Figure 9 - 12-Pin Connection.....	9
Figure 10 - Inserting a SIM	12
Figure 11 - GSM/GPRS Antenna Connection	14
Figure 12 - GPS Antenna Connection	15
Figure 13 – Wiring for Power Only	20
Figure 14 – Wire for Programming Cable.....	20

Tables

Table 1 - 12 pin I/O Connector Interface	8
Table 2 - Audio Settings	13
Table 3 - GSM Operating Power	16
Table 4 - GPRS Operating Power	16

1 Introduction

1.1 About the GSM/GPRS MT-GL

The GSM/GPRS MT-GL (hereafter referred to as “MT-GL”) is an Automated Vehicle Locating (AVL) device that utilizes a GSM/GPRS modem and a Global Positioning Satellite (GPS) module. Working together, these technologies allow the MT-GL to simultaneously act as a stand alone GPS reporting device and wireless data retrieval unit. The MT-GL provides a flexible AVL solution with Input/Output (I/O), six selectable National Maritime Electronics Association (NMEA) GPS data format, Trimble ASCII Interface Protocol (TAIP) GPS data format, and Enfora’s own proprietary Binary GPS data format. The MT-GL is designed to work in a stand-alone device in an automobile. Enfora’s MT-GL provides maximum AVL versatility in a single affordable device.

1.2 About This Manual

Contained in this manual are instructions on how to install and configure the MT-GL. Please follow the instructions herein closely to avoid damaging the MT-GL.

1.3 Contents of Basic Package

- Enfora MT-GL (P/N - GSM2218)
- Mounting brackets
- Documentation CD-ROM

1.4 Available Accessories

The following accessories for the MT-GL are available directly from Enfora:

- Combination GPS and GSM/GPRS antenna. There are two models available; through-hole (P/N ANT1303) and magnetic mount (P/N ANT1313).
- 12-pin serial I/O loading cable with DB-9 connector (P/N ADT2218).
- 12-pin connector with pins.

1.5 System Requirements

It’s necessary to have some type of terminal equipment, which includes a serial port, in order to configure the MT-GL modem. This can be a computer running a Windows Operating System with the HyperTerminal program.

1.6 MT-GL Front and Back View



Figure 1 - Enfora MT-GL Front View



Figure 2 - Enfora MT-GL Back View

1.7 Product Specifications

System Requirements		Application Interface	
Interface:	Serial – Host DSUB 9 connector	• Host Protocols:	PPP, AT Commands, UDP, TCP/IP
L x W x H:	4.0 x 5.0 x 1.6 in	• Internal Protocols:	UDP, TCP/IP (future release)
Housing:	One Piece, seamless Aluminum Extrusion	• API Control/Status:	AT or UDP
TX Power:	Class 4 (2W @850/900 MHz)	• Friend's IP Feature	
	Class 1 (1W @1800/1900 MHz)	• Auto-Registration software upon power-up	
Slot Class:	MS10(4RX/2TX, 5 MAX)	• Over the air commands for:	
		- I/O Control	- Status Change Reporting
		- GPS TX Interval	- GPS Content
		- Binary Reporting	- Event Reporting
		- Timed Reporting	- Distance Reporting
		- Alarm Reporting	- Geo-Fencing
Band Operation		SIM Card / Interface / I/O	
GSM2218 (850/900/1800/1900)		• SMA Antenna Connector for 3.3 Vdc GPS 3.3	
		• External SIM accessible via end cap	
		• Audio connection	
		• TNC Antenna Connector for GSM	
		• 3 Pin I/O – 2 Input, 1 Output	
		3 LED Status indicators	
		1 Ignition Sense	
		• 1 Audio Input/Output	
GPRS Packet Data		Environment	
Mode:	Class B, Multislot 10 Certified	Operating:	-30°C to +70°C
Protocol:	GPRS Release 97, SMG 31	Spec. Compliant:	-20°C to +60°C
Coding Schemes:	CS1 – CS4	Storage:	-40°C to +85°C
Packet Channel:	PBCCH/PCCCH	Humidity:	Up to 95% non-condensing
GSM Functionality		Status Indicator	
Voice:	Full Rate, Enhanced full rate and half rate, AMR (GSM2218)	• Power ON	
CS Data:	Asynchronous, transparent and non transparent up to 9.6 KB	• Registration Status	
GSM SMS:	Text, PDU, MO/MT Cell broadcast	• GPS Status	
		• User Defined	
Certification (Pending)		Power	
GSM2218		DC Voltage:	9 - 30 V
FCC: Part 15,22,&24	Part 15	MT-GL 2218	@ 12V Avg Peak
GCF: Version 3.11.0	Version 3.5.1	BAND	MODE
PTCRB: Version 2.9.1	Version 2.7.2	GSM 850&	1TX/1RX
Industry Canada	Industry Canada	900	1RX
RTTE	RTTE		Idle
			65
		GSM 1800&	1TX/1RX
		1900	1RX
			Idle
			55
			400
			190
			0.570 @ 32.0
GPS Functionality		Part Number	
• SMA Antenna Connector for GPS		GSM2218	850/900/1800/1900
• Supports 3.3V Active Antenna			
• GPS Protocols: NMEA, TAIP, Enfora binary			
• Stored GPS Messages Feature			

2 Installation

Instructions provided in this section describe the hardware installation of the MT-GL device. To install the MT-GL in a vehicle, follow these steps:

- Choose a convenient location in the vehicle – either in the trunk or interior of a vehicle. Avoid locations that might expose the device to excessive heat or moisture.
- Hold the MT-GL in place and mark the location for mounting screw holes
- Using the markings as a guide, drill mounting holes in those positions
- Align the MT-GL in the drilled holes and secure it with mounting screws



The MT-GL is **NOT** a waterproof or sealed device. Care must be taken to ensure the device is kept away from water or any other liquids.

2.1 Mounting Dimensions

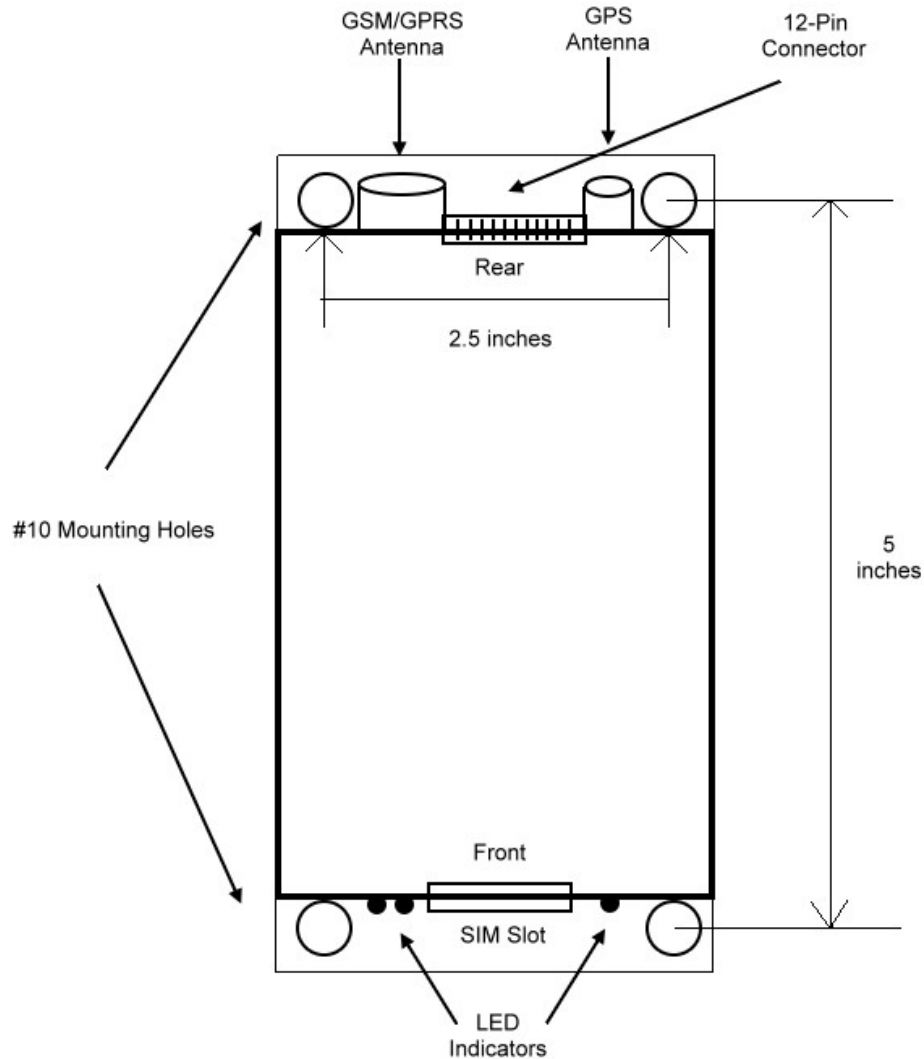


Figure 3 - Mounting dimensions of a MT-GL (Shown with mounting plate)

The bracket should be used as a template to mark screw holes for installation. See Figure 4 - MT-GL Mounting Brackets. The mounting holes are designed for a number 10 screw. Once mounting holes have been located for placement, the mounting plate can be easily broken into two parts as demonstrated in Figure 5 - MT-GL Mounting Bracket (separated). The mounting bracket must be separated in order to affix it to the MT-GL. The two pieces will easily slide into the grooves on the modem.



Figure 4 - MT-GL Mounting Bracket (attached)



Figure 5 - MT-GL Mounting Bracket (separated)



Figure 6 - MT-GL Bracket Installation



Figure 7 - MT-GL Bracket Installation

2.2 Installing Cables

During installation, the following precautions will help ensure proper operation of the MT-GL

- Remove power from the MT-GL.
- Do not create loops, sharp bends or crimps in the cables
- All cables should be attached to the vehicle and equipment in such a way to reduce stress or wear caused by vibration generated by moving vehicles.
- Use proper terminations on all power cables

2.2.1 12 pin Connector

The user can purchase the optional 12-pin external I/O connector for the Enfora MT-GL that can be used to interface with other devices. Enfora can provide an optional cable and connector (Part #ADT2218). The user also has the option of building his/her own cable. Table 1 describes the pin functionality for this 12 pin I/O connector. Pins that are not planned for usage can be left open without anything connected to them.

Pin Number	Functionality
Pin – 1	Serial Data Out
Pin – 2	Serial Data In
Pin – 3	Audio – Ear Speaker Out (-)
Pin – 4	Audio – Ear Speaker Out (+)
Pin – 5	Audio – Mic Input (+)
Pin – 6	Audio – Mic Input (-)
Pin – 7	User Controlled Output
Pin – 8	User Controlled I/O
Pin – 9	User Controlled I/O
Pin – 10	Switched Power (Ignition)
Pin – 11	Unswitched Power (Battery)
Pin – 12	Ground

Table 1 - 12 pin I/O Connector Interface

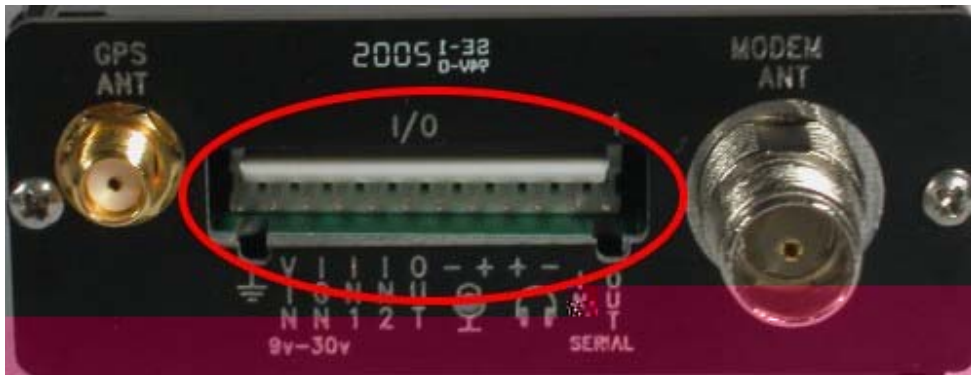


Figure 8 - I/O Connector

2.2.2 MT-GL Serial Adapter (Optional)

Enfora P/N ADT2218 can be used to provide a standard serial interface for the MT-GL. This adapter provides a standard DB9 serial interface and power to the unit. The adapter would be used for loading new software onto the MT-GL. The customer may choose to connect directly to the 12-pin connector serial interface pins, or order this convenient adapter from Enfora.

Note: Only three of the pins are used; ground, serial in and serial out.

See Figure 9 - 12-Pin Connection.



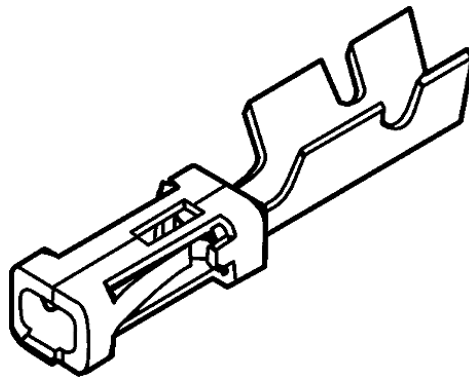
Figure 9 - 12-Pin Connection

The customer can also build their own cable, if they choose. The following information contains photographs and the manufacturer's (AMP/Tyco) part numbers for the parts needed to build the cable. Enfora recommends using 20-gauge wire when building the connector.

Pin Housing (2-87499-1)



Pins (8523-6)

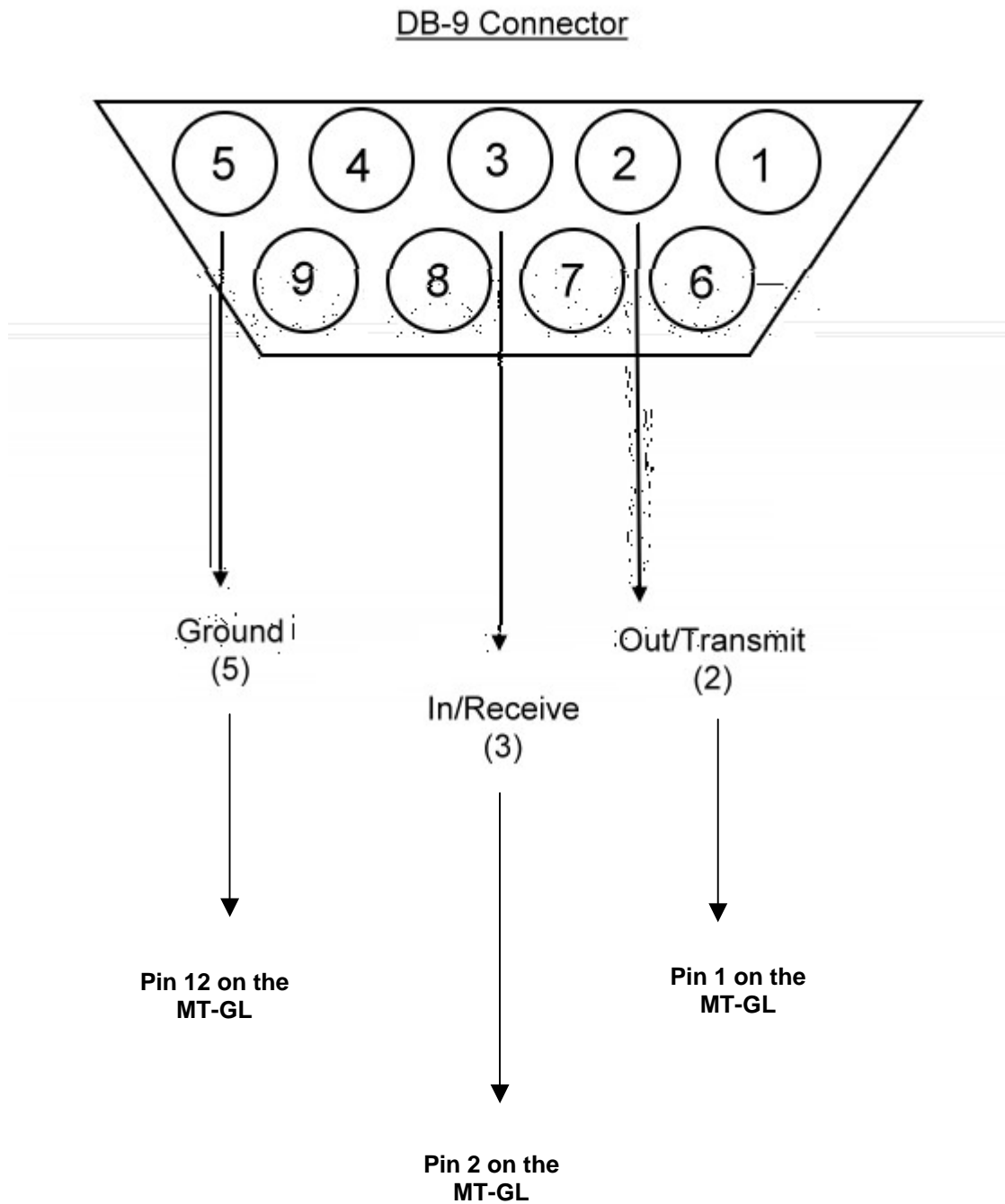


NOTE: Instead of using the previous two parts, you can build the cable using the Wago 733-112 connector (Enfora part number CON-3000-0112.) This connector is keyed, so the user won't be able to insert the connector into the MT-GL the wrong way.

DB-9 Pinout

There are three pins that are used to connect to the serial port of your computer. These are for transmit (out), receive (in) and ground.

The following diagram displays the serial end of the interface cable.



2.3 Installing Subscriber Identity Module (SIM) Card

The SIM, an integral part of any GSM terminal device, is a “smart card” that is programmed with subscriber information. The user information consists of an International Mobile Subscriber Identity (IMSI) number which is registered with the GSM/GPRS service provider and an encryption Ki (pronounced “key”). This information consists of a microprocessor and memory installed on a plastic card. A SIM card can be installed by simply inserting the SIM card in the SIM slot provided in the front of the device. See Figure 10 - Inserting a SIM below.

Note:

The SIM card is not provided with the MT-GL device. The SIM must be obtained from the GSM/GPRS service provider and must be provisioned by the operator for data and/or voice. Always take care to protect the SIM. MT-GL’s GSM/GPRS related functionality will not operate without the SIM installed.



Ensure the power to the MT-GL is disconnected before inserting the SIM card. Failure to do so might result in unusable MT-GL or a damaged SIM card.



Figure 10 - Inserting a SIM

Insert the SIM into the SIM Slot with the notch going into the slot first, and facing toward the left side of the modem.

2.4 Audio In/Audio Out

The only way of connecting the microphone/speaker is via pins 3 - 6 of the 12-pin connector.



Please follow the specifications as listed in the table below. Enfora is not liable for damage to the MT-GL caused due to user error.

Ear – Speaker Output:

Parameter	Conditions	MIN UNIT	TYP	MAX	UNIT
Maximum Input Range – Mic(+) to Mic(-)	Inputs 3 dBm0 (Max. digital sample amplitude when PGA gain set to 0 dB)		32.5		mVrms
Nominal Ref. Level – Mic(+) to Mic(-)			-10		dBm0
Differential Input Resistance – Mic(+) to Mic(-)			100		kΩ
Microphone Pre-Amplifier Gain			25.6		dB
Bias Voltage on Mic(+)	2.0 or 2.5 V	2.0		2.5	Vdc
Mic Bias Current Capability		0		0.5	mA

Handset Speaker Output

Parameter	Conditions	MIN	TYP	MAX	UNIT
Maximum Swing – Ear(+) to Ear(-)	$R_L = 32 \Omega$ & 5% distortion	1.2	1.5		V _{pp}
Maximum Capacitive Load – Ear(+) to Ear(-)				100	pF
Amplifier Gain			1		dB
Amplifier State in Power Down	High Z				

Table 2 - Audio Settings

2.5 Connecting GSM/GPRS modem Antenna

The user must supply the GSM/GPRS antenna. The antenna must have a nominal impedance of 50 Ohms. The VSWR must be less than 2.0:1. System antenna gain should be 0 – 2 dB for optimum performance.

The antenna connector on the GSM/GPRS MT-GL model is a TNC female connector.

The antenna has to be connected to the connector labeled “MODEM ANT”. See Figure 11 - GSM/GPRS Antenna Connection.

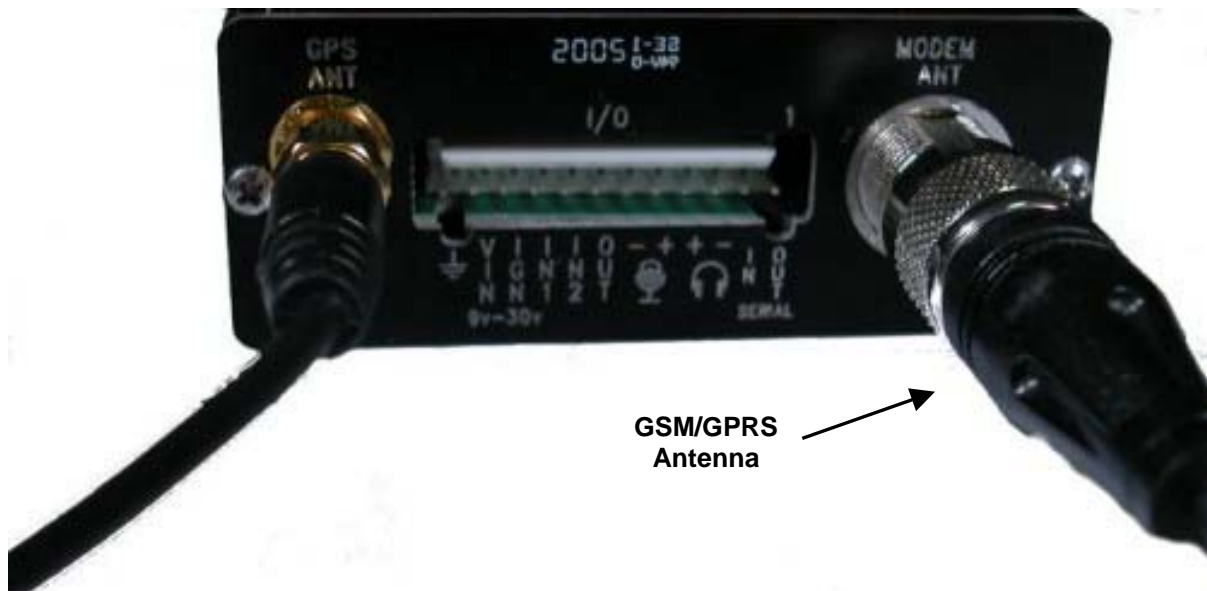


Figure 11 - GSM/GPRS Antenna Connection

2.6 Connecting GPS Antenna

The user must supply the GPS antenna. The GPS receiver inside the MT-GL powers the pre-amplifier in the GPS antenna (Active-style) by applying a power of 3.3 Volts to the center conductor of the RF input to the GPS receiver. If a passive-style GPS antenna must be used, please verify that it has a DC block installed in order to prevent shorting to ground. GPS antenna connector on the MT-GL model is a SMA female connector. The GPS antenna must be placed in an area where it can have direct view of the sky.

The GPS antenna must be connected to the connector labeled "GPS ANT". See Figure 12 - GPS Antenna Connection.



User must disconnect power before connecting the GPS antenna

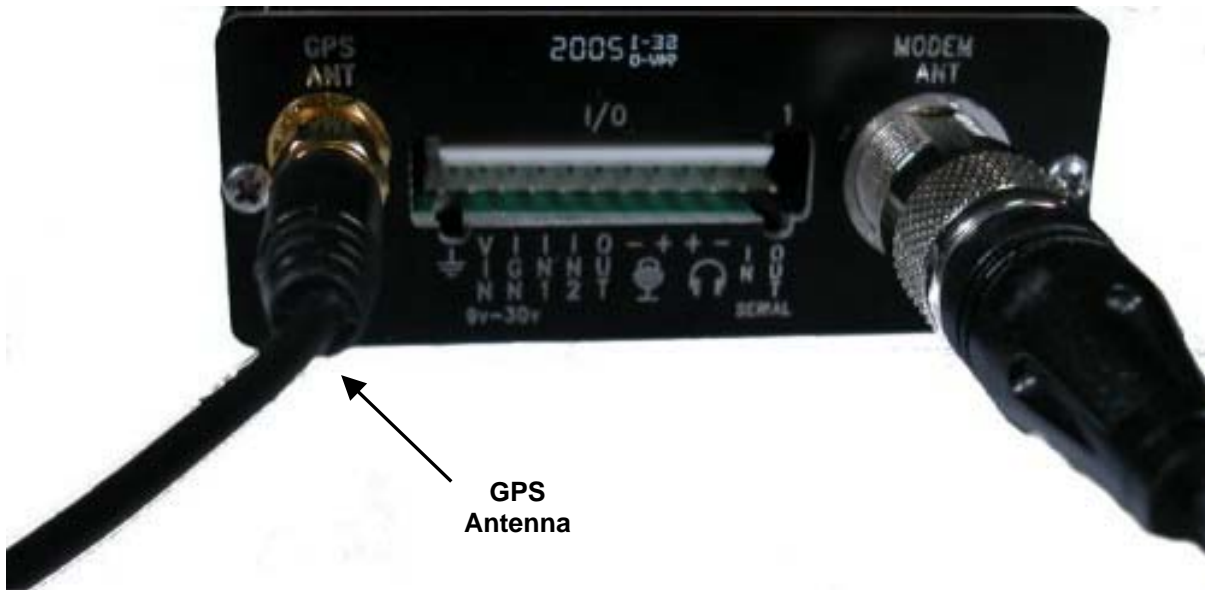


Figure 12 - GPS Antenna Connection

2.7 Connecting the Power Source

The GSM/GPRS MT-GL has an input voltage range of 9 – 30 V DC. (See Table 3 and Table 4). The power and ignition pins can support 9 – 30 V DC input voltage. The user has an option to connect these wires depending on the desired functionality. Described below are the desired functionality and their associated wire connecting procedure:



Use of the device outside of the specified voltage range may result in damage to the device and/or undesirable results.



Please follow the specifications as listed in the table below. Enfora is not liable for damage to the MT-GL caused due to user error.

PRELIMINARY TABLES

Enfora MT-G (@ 12 Volts)			Average Current (mAmps)	Peak Current (Amps)
GSM 850 & 900	GSM	1TX/1RX	390 mA	0.600@32.5
		1RX	180 mA	
		Idle	65	
DCS 1800 & PCS 1900	GSM	1TX/1RX	400 mA	0.570@32.0
		1RX	190 mA	
		Idle	55 mA	

Table 3 - GSM Operating Power

Enfora MT-G (@ 12 Volts)			Average Current (mAmps)	Peak Current (Amps)
GSM 850 & 900	GPRS	TBD1TX/1RX	400 mA	0.590@32.0
		1RX	190 mA	
		Idle	55 mA	
DCS 1800 & PCS 1900	GPRS	TBD	400 mA	0.560@31.5
			200 mA	
			55 mA	

Table 4 - GPRS Operating Power

- MT-GL Always ON
 - Connect the power and ground wires of the MT-GL to the battery leads. The MT-GL will always remain ON as long as the battery lasts.
 - The MT-GL will be non-operational when the input voltage and current requirements are not met (battery drains).
 - The Ignition wire has to be left open (not connected).
- MT-GL Turns Off when Ignition Turned Off
 - Connect the power line of the MT-GL to an auxiliary power source, i.e. ignition.
 - Connect the ground wire to the chassis or negative terminal of the battery
 - The Ignition wire has to be left open (not connected).

- Device in Low Power Mode when Ignition Turned Off
 - Connect the power and ground wires of the MT-GL to the battery.
 - Connect the ignition wire of the MT-GL to an auxiliary power source, i.e. ignition.
 - Device enters low power mode when ignition line goes low. This feature has to be enabled via the software configuration (see AT\$PWRSV command for more details).
 - Device enters normal power consumption mode when auxiliary power is supplied.
 - Device goes through a reset upon ignition on.

2.8 LED Operation

The MT-GL has three LED's on its front panel.

- | | |
|-------------|--|
| PWR: | Indicates power to the modem. LED is on when power is turned on and the modem is operational. LED is off when power is removed or when the modem enters low power mode. |
| User LED 1: | This LED can be configured to display registration, GPS fix status, or other user functions. By default, this LED indicates GSM/GPRS registration status. LED state of OFF indicates that the device is not attempting to register to the network. Blinking LED indicates that the device is trying to connect to the network. LED always ON indicates that the device is attached to the network. |
| User LED 2: | This LED can be configured to display registration, GPS fix status, or other user functions. By default, this LED indicates GPS fix status. The LED remains in OFF state when invalid GPS data is received. The LED remains ON when valid GPS data is received. |

3 Additional Software Features

The following software features are included in version 0.6.0 and greater:

A user can send AT commands, via SMS, to the MTG in the following format:

>RSP=[T/F];ID=[modem id];[at command]<

- [T/F] field has to be set to either T or F. Setting of T indicates that the response to an AT command will be sent back to the originator. Setting of F indicates that the response to an AT command will be discarded
- [modem id] field has to be the same value as AT\$MDMID command setting. This field is case-sensitive
- [at command] field has to be set to an AT command from the below list:
 - AT\$ACKTM
 - AT\$ACTIVE
 - AT\$APIPWD
 - AT\$AREG
 - AT\$CONNTO
 - AT\$EVDEL
 - AT\$EVDELA
 - AT\$EVENT
 - AT\$EVTIM
 - AT \$FRIEND
 - AT\$GPSRD
 - AT\$IDLETO
 - AT\$MDMID
 - AT\$MSGLOGEN
 - AT\$MSGLOGRD
 - AT\$MSGSEND
 - AT\$PADBLK
 - AT\$PADBS
 - AT\$PADDST
 - AT\$PADSRC
 - AT\$PADTO
 - AT\$PKG
 - AT\$SMSDA
 - AT\$UDPAPI
 - AT\$WAKEUP
 - AT+CGDCONT
 - AT&W

Note: Please refer to the MT-G AT Command Set Document (GSM2000PB001MAN) for detailed information on AT Command execution.

Please note the following information regarding sending AT commands via SMS:

- AT commands sent via SMS have to originate from an address listed in the AT\$SMSDA command;
- An incorrectly formatted SMS message will be processed as a regular SMS message;
- Not having the originating address of the SMS message listed in AT\$SMSDA command will result in the SMS message being treated as a regular SMS message;
- Query of an AT command setting that returns more than 160 bytes will result in data being truncated to a maximum of 160 bytes.

The ability to store event data in memory, upon event trigger occurrence, and transmit data when desired.

- The user can configure the MT-GL to store event-generated data, to be sent over the air to a remote server, in its internal memory. This feature can be enabled or disabled using the AT\$MSGLOGEN command.
- “Total Number of Unread Messages” is decremented if an unread message is read via the AT\$MSGLOGRD command.

Example: Assume there are 50 unread messages in the GPRS queue and the total number of messages in GPRS queue is 100. This means that the first 50 messages have been read while the last 50 messages have not been read. If a user sends AT\$GPSLOGRD=0,1,51 then the total number of unread messages drops down to 49 after successful transmission of that message. However, if a user sends AT\$GPSLOGRD=0,1,99 then the total number of unread messages still remains at 50 – that message is transmitted to the remote server.

- A user can also read a message that has already been read from the memory by passing in the appropriate starting index number.

Synchronize RTC time with GPS time

- RTC time is synched with GPS time automatically
- RTC time is synched with GPS time every time the device is powered up and the device acquires valid GPS data
- RTC time is synched with GPS time every time the GPS time rolls over from 23:59:59 to 00:00:01

Allow a user to append RTC date and time at the end of event data

- Bit-21 for Parm2, for output message types 40 – 42 & 45 (in AT\$EVENT command), has been added to allow users to send RTC time along with event data
- The RTC date and time contains Year, Month, Day, Hour, Minute, and Second fields
- 6 bytes of information is appended in Binary format when bit-21 is enabled. Each byte represents an individual field
- 12 ASCII character (12-bytes) representing RTC date and time is appended in ASCII format when bit-21 is enabled. Two bytes (or two ASCII characters) represents an individual field

4 Appendix 1 – Cable Wiring Diagrams

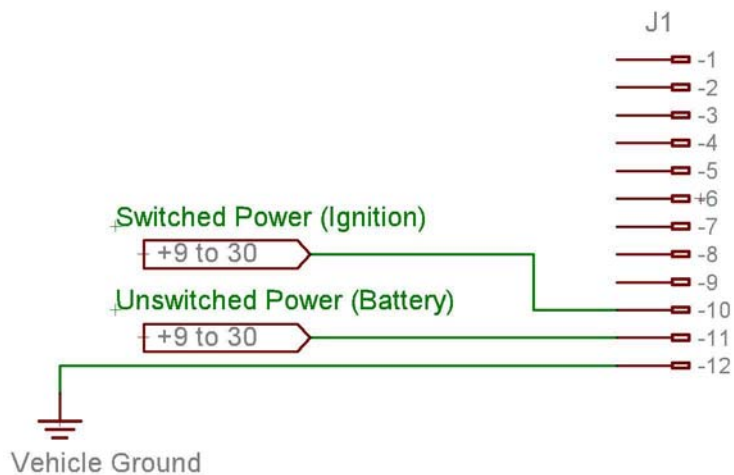


Figure 13 – Wiring for Power Only

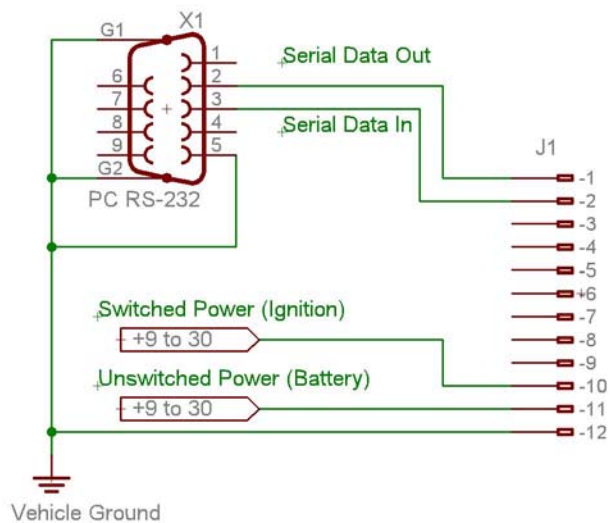


Figure 14 – Wire for Programming Cable