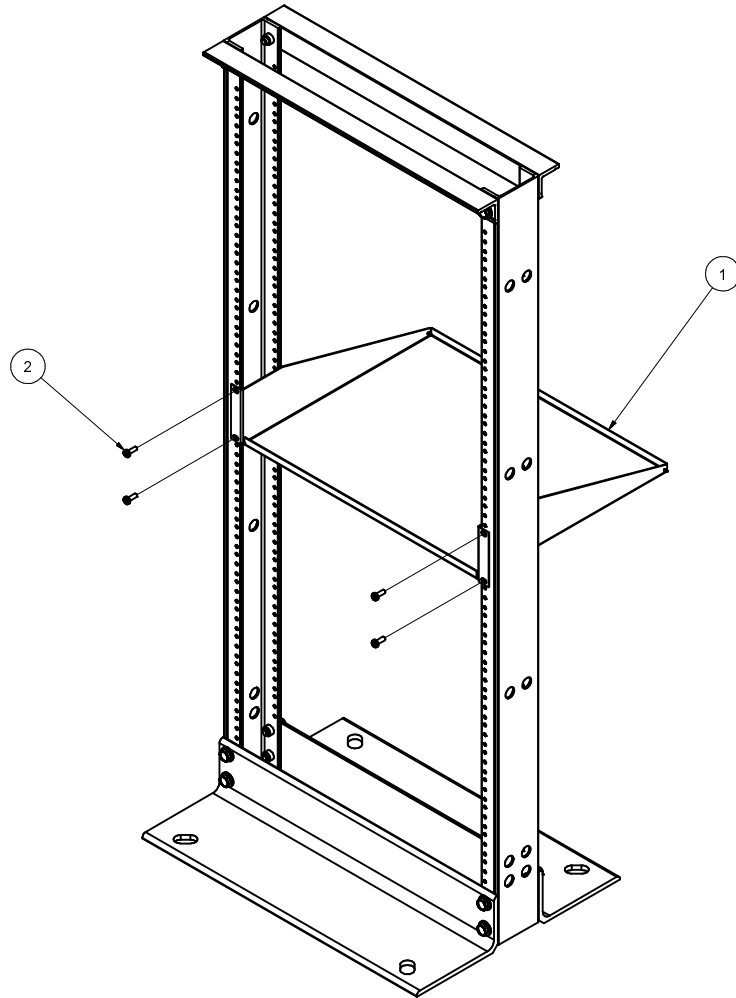


INSTRUCTION SHEET- F4D153

CANTILEVER SHELF 14-INCH, GRAY

INSTRUCTIONS

1. Attach shelf (1) to rack using the provided screws (2).



TOOLS NEEDED:

#2 Phillips screwdriver

Parts List		
ITEM	QTY	DESCRIPTION
1	1	Cantilever Shelf 14" -Gray
2	4	Pan Head Phillips 12-24 x 0.625