

INSTRUCTION SHEET- F4D247

STEEL EQUIPMENT RACK 19" X 84", BLACK

INSTRUCTIONS

1. Lay side rails (1) on the floor.
2. Assemble base angle (2), and top angle (3) as shown in Figure 1.
3. Turn rack over and repeat base and top angles on other side.
4. Square legs. Tighten all bolts.
5. Mount to floor, using suitable fasteners (see note below).
6. Install equipment using provided screws.

NOTE:

- Due to variances in floors, shims may be needed under base angles.
- To square legs, measure diagonally between top and bottom bolts. The distance between A and B should be the same as C and D (see Figure 2).

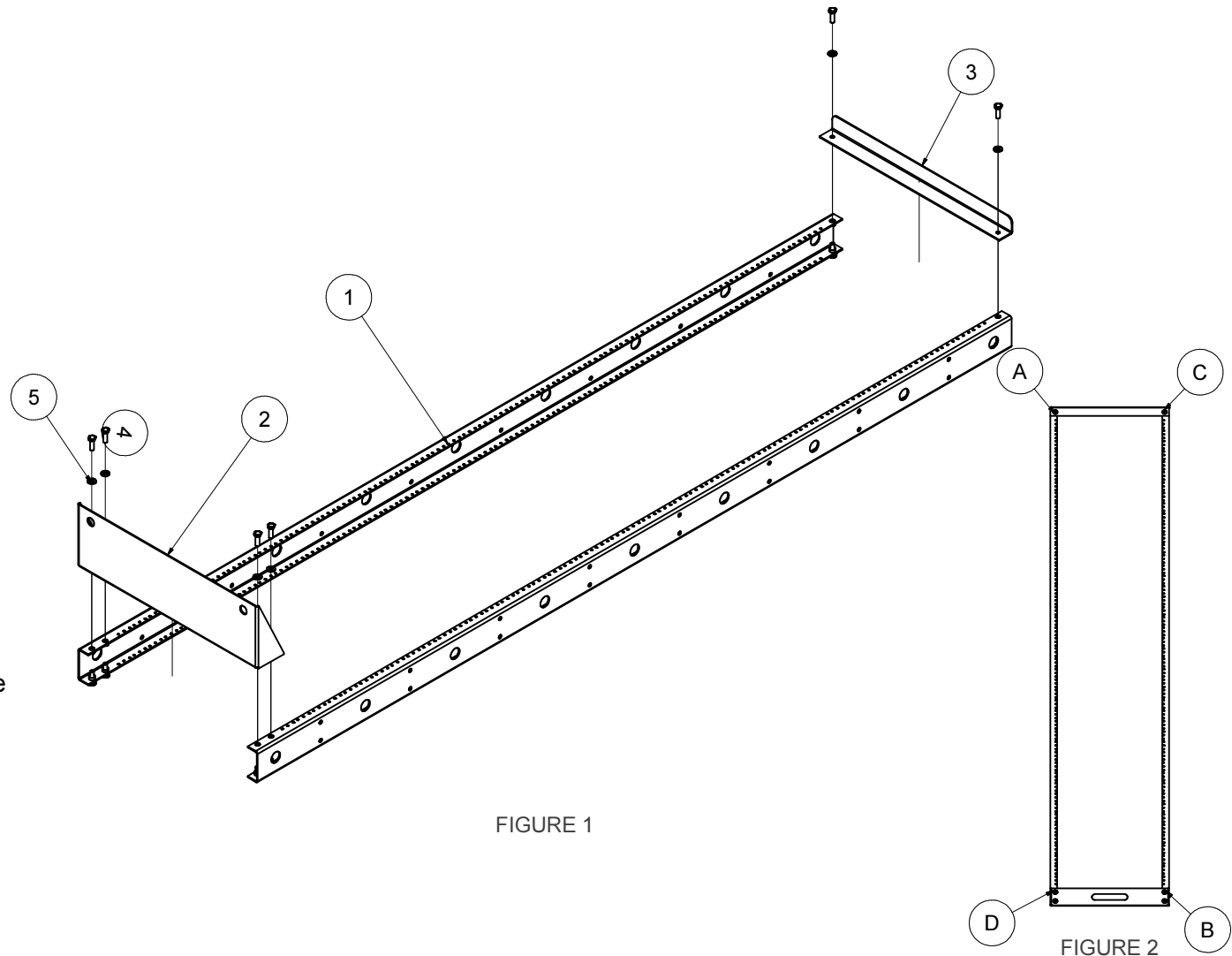


FIGURE 1

FIGURE 2



TOOLS NEEDED:

- 1/2" wrench or socket
- Measuring tape
- #2 Phillips screwdriver

Parts List

ITEM	QTY	DESCRIPTION
1	2	Steel Rack Leg
2	2	Steel Rack Base
3	2	Steel Rack Top Angle
4	12	Hex Cap Screw 5/16-18 x 1
5	12	Flat Washer 5/16" 0.688 O.D.
6	30	Pan Head Phillips 10-32 x 0.5