

## SmartWAVE™ Low Profile Airpot Coffee Brewer

ITEM#

PROJECT

DATE



**Model WAVE-APS  
with Airpot**

(airpot sold separately)

Dimensions: 16.9" H x 8.7 W x 17.1" D  
(43cm H x 22.2cm W x 43.5cm D)



**Model WAVE-S-APS  
with Deluxe 1.9L Thermal Carafe**

(thermal carafe sold separately)

Dimensions: 16.9" H x 8.7 W x 17.1" D  
(43cm H x 22.2cm W x 43.5cm D)

### Features

#### Low Profile Airpot Coffee Brewer

- Brews 3.9 to 6.4 gallons (14.8 to 24.2 litres) of perfect coffee per hour.
- Brew into 1.9L thermal carafe using the slide-out booster tray.
- Adjustable legs to accommodate up to 3.0L\* lever action and 2.5L push button BUNN airpots (refer to usage table).
- SmartWAVE™ technology increases turbulence in the brew funnel.
- Convenient airpots keep coffee hot and fresh for hours and are easily transported to remote serving areas.
- Ensures coffee brew quality with cold brew lock out capability.
- Hot water faucet.
- SplashGard® funnel deflects hot liquids away from the hand.
- Energy-saver mode reduces tank temperature during idle periods.

#### Standard Version

- Four-digit LED read-out for simple programming.
- Utilize the same LED read-out for brewer status (Ready, Heating, Brewing).
- BrewMETER™ and pulse brew routines to adjust your flavor profile corresponding with the BrewMETER™ (1-14).

#### Silver Version

- Analog switches accompanied by red/green LED for programming.
- Red/green LED provide brewer status (ready, heating, brewing).
- Choice of three pulse brew routines to adjust your flavor profile.

\*Recommended batch size: 2.5 L or less

For current specification sheets and other information, go to [www.bunn.com](http://www.bunn.com).

### Related Products

#### Easy Clear® EQ-17-TL

Product No. : 30200.1000

Dimensions:

12<sup>7</sup>/<sub>16</sub>" H x 2<sup>1</sup>/<sub>2</sub>" W x 3" D  
31.6 cm H x 6.35 cm W x 7.62 cm D



#### Easy Clear® ED-17-TL

Product No. : 30201.1001

Dimensions: 8<sup>1</sup>/<sub>4</sub>" H x 2<sup>5</sup>/<sub>16</sub>" Dia.

20.95 cm H x 5.87 cm Dia.

#### Paper Filter Pack

Product No. : 20115.0000

Packed per case: 1,000

Dimensions: 4<sup>1</sup>/<sub>4</sub>" Base x 2<sup>3</sup>/<sub>4</sub>" Sidewall  
10.8 cm Base x 6.98 cm Sidewall



#### 2.2 liter Push-Button Airpot

Product No. : 28696.0002

Capacity: 74 oz. (2.19 L)

#### 2.5 liter Push-Button Airpot

Product No. : 13041.0001

Capacity: 84 oz. (2.48 L)

#### 2.5 liter Lever-Action Airpot

Product No. : 32125.0000

Capacity: 84 oz. (2.48 L)

#### 3.0 liter Lever-Action Airpot

Product No. : 32130.0000

Capacity: 102 oz. (3.0 L)



#### Deluxe 1.9L Thermal Carafe

Product No. : 36029.0001

Capacity: 64 oz. (1.9 L)



#### Economy 1.9L Thermal Carafe

Product No. : 40163.0000

Capacity: 64 oz. (1.9 L)



#### 1.9L Thermal Pitcher

Product No. : 39430.0000

Capacity: 64 oz. (1.9 L)



#### Model

WAVE15-APS, WAVE15-S-APS  
WAVE-APS, WAVE-S-APS

#### Agency Listing



## Dimensions & Specifications

Model	Product #	Volts	Amps	Tank Heater Watts	Total Watts	Brewing Capacity	Cu. Ft.	Shipping Weight	Cord Attached
WAVE15-APS	39900.0000	120	11.3	1320	1350	3.9 gal./hr.	2.4	24.2 lbs.	Yes
WAVE15-S-APS	39900.0001	120	11.3	1320	1350	3.9 gal./hr.	2.4	24.2 lbs.	Yes
WAVE-APS	39900.0003	120/240	9.5	2202	2250	6.4 gal./hr.	2.4	24.2 lbs.	No
WAVE-S-APS	39900.0004	120/240	9.5	2202	2250	6.4 gal./hr.	2.4	24.2 lbs.	No


**Brewing capacity:** based upon incoming water temp of 60°F (140°F rise) per 1/2 gallon brew time of 4 minutes.

Electrical: 120V, requires 2-wires plus ground service rated 120V, single phase, 60 Hz.

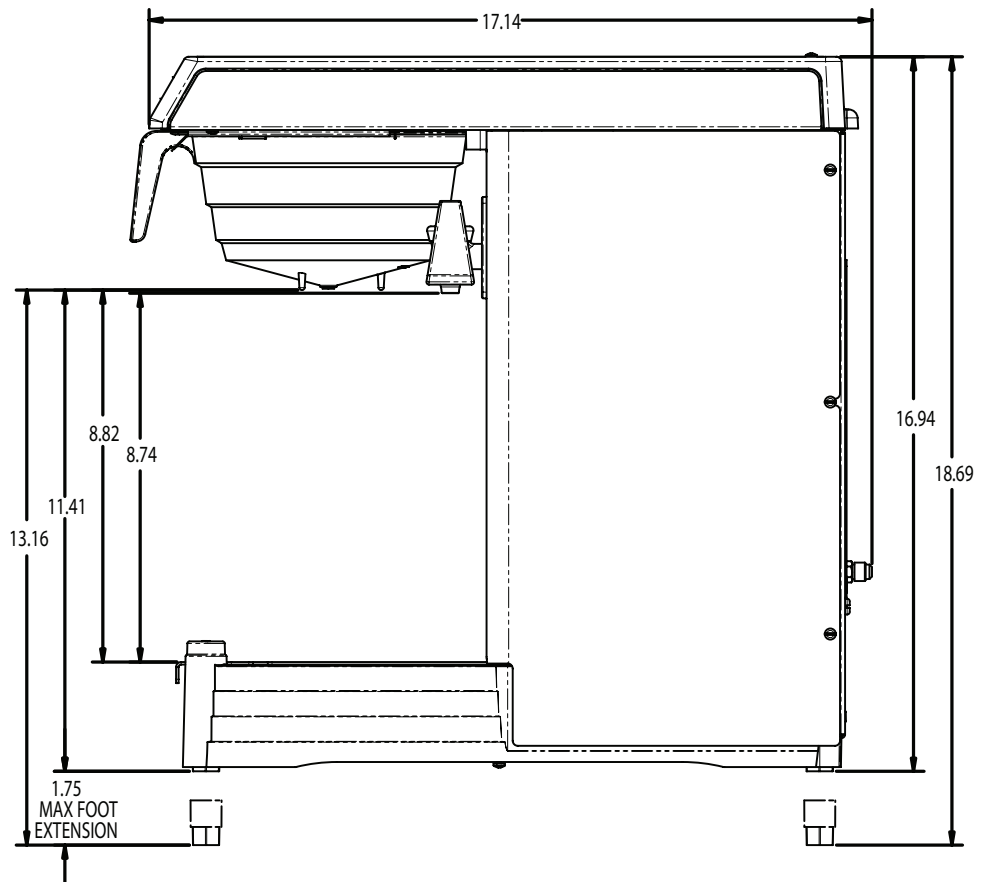
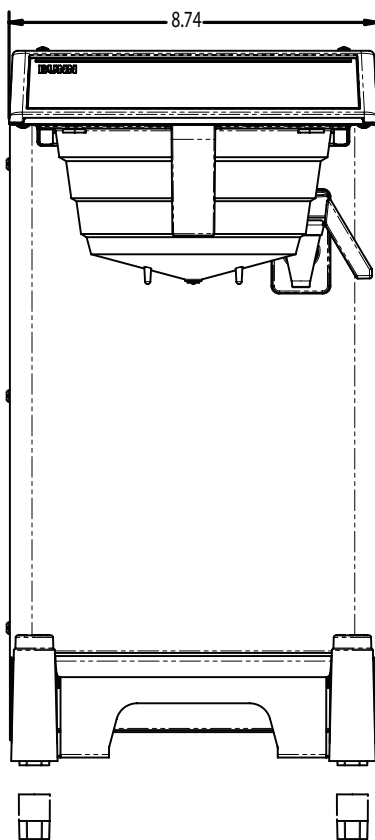
120/240V, requires 3-wires plus ground service rated 120/240V, single phase, 60 Hz.

Plumbing: 20-90 psi (138-621 kPa). Supplied with 1/4" male flare fitting. Tank Capacity: 155 oz. (4.58 L)

### Airpot/Carafe/Pitcher Usage Table

	Brewer Position	BUNN Part #	Description	Brewer Height	Approximate Adjustment
 <p>Legs extended to accommodate 2.5L push-button airpot</p>	Using thermal carafe tray	36029.0001	1.9L deluxe thermal carafe	16.9"	N/A
	Using thermal carafe tray	40163.0000	1.9L economy thermal carafe	16.9"	N/A
	LP feature (Lowest)	39430.0000	1.9L thermal pitcher	16.9"	N/A
	LP feature (Lowest)	32125.0000	2.5L lever-action airpot	16.9"	N/A
	Extend legs	32130.0000	*3.0L lever-action airpot	17.5"	.6"
	Extend legs	28696.0002	2.2L push-button airpot	18"	1"
	Extend legs	13041.0001	2.5L push-button airpot	18.5"	1.5"

\*Recommended batch size: 2.5 liters or less



Bunn-O-Matic® Corporation - 1400 Stevenson Drive Springfield, Illinois 62703 • 800-637-8606 • 217-529-6601 • Fax 217-529-6644 • www.bunn.com

BUNN® practices continuous product research and improvement. We reserve the right to change specifications and product design without notice. Such revisions do not entitle the buyer to corresponding changes, improvements, additions or replacements for previously purchased equipment.

All dimensions shown in inches.

3/08 © Bunn-O-Matic Corporation