

Pourover Coffee Brewer with 2 Warmers

Features

Pourover Coffee Brewer

- Space saving 8.3" (21.1 cm) wide.
- Pourover brewer requires no plumbing – completely portable.
- Consistently brews perfect coffee in about 3 minutes at 92°C.
- All stainless steel tank construction.
- Two separately controlled warmers.
- SplashGard® funnel deflects hot liquids away from the hand.
- Includes paper filter pack and pour-in pitcher .
- Ready light.
- Brew capacity varies by model. See back for details.



392

(decanters not included)

Dimensions: 19.4" H x 8.3" W x 19.4" D
(49.3cm H x 21.1cm W x 49.3cm D)

For current specification sheets and other information, go to www.bunn.com.

International models may vary in appearance.

Related Products

Paper Filter Pack

Product No. : 20115.0000



Glass Decanter

Product No. : 06078.0002
2-pack regular



Product No. : 06088.0002
2-pack orange handle (decaf)

WX2-Warmer

Product No. : 06310.0006
230V 50/60 Hz



Product No. : 06310.0004
120V

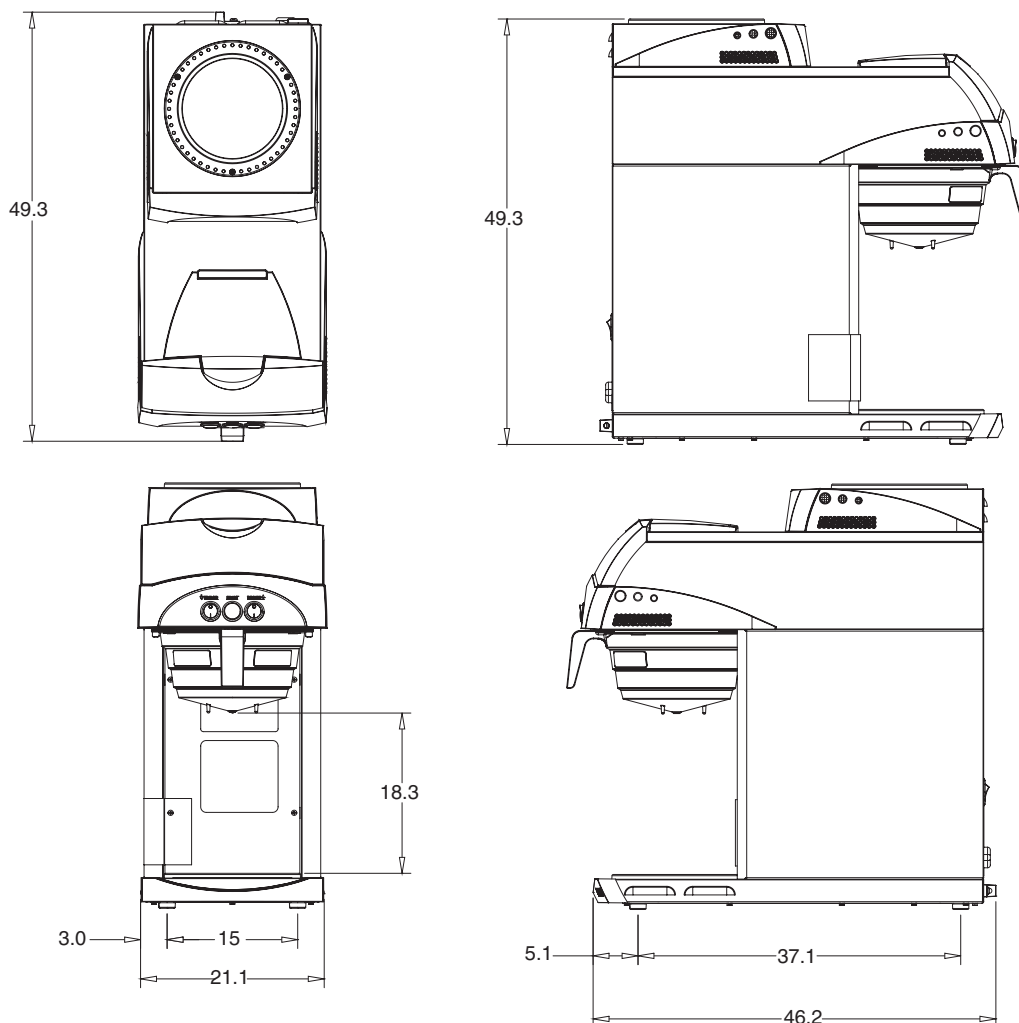
Dimensions & Specifications

Model	Product #	Volts	Amps	Total Watts	Brewing Capacity	Shipping Weight	Cord Attached	Agency
392	37800.0100	120	13	1560	3.9 gal./hr. (14.8 L/hr.)	24 lbs. (10.9 kg)	Yes	UL LISTED (TÜV)
392B	37800.0101	100	14.3	1425	3.6 gal./hr. (13.6 L/hr.)	24 lbs. (10.9 kg)	Yes	UL LISTED (TÜV)
392A	37800.0102	220-240	9.6-10.5	2300	5.4 gal./hr. (20.4 L/hr.)	24 lbs. (10.9 kg)	Yes	CE
392A	37800.0103	220-240	9.6-10.5	2300	5.4 gal./hr. (20.4 L/hr.)	24 lbs. (10.9 kg)	Yes	CE
392A	37800.0104	220-240	9.6-10.5	2300	5.4 gal./hr. (20.4 L/hr.)	24 lbs. (10.9 kg)	Yes	CE (PC)

Brewing capacity: based upon incoming water temp of 60°F/15°C (140°F/60°C rise) per 1/2 gallon (1.89 litre) brew time of 3 minutes.

Electrical: 120V model requires 2-wires plus ground service, single phase, 60 Hz.
 100V model requires 2-wires plus ground service, single phase, 50/60 Hz.
 220-240V models require 2-wires plus ground service rated 220-240V, single phase, 50/60 Hz.

Plumbing: No plumbing needed.



Bunn-O-Matic® Corporation - 1400 Stevenson Drive Springfield, Illinois 62703 • USA • +1-217-529-6601 • Fax +1-217-529-2827 • www.bunn.com

BUNN® practices continuous product research and improvement. We reserve the right to change specifications and product design without notice. Such revisions do not entitle the buyer to corresponding changes, improvements, additions or replacements for previously purchased equipment.

All dimensions shown in centimeters.

10/07 © Bunn-O-Matic Corporation