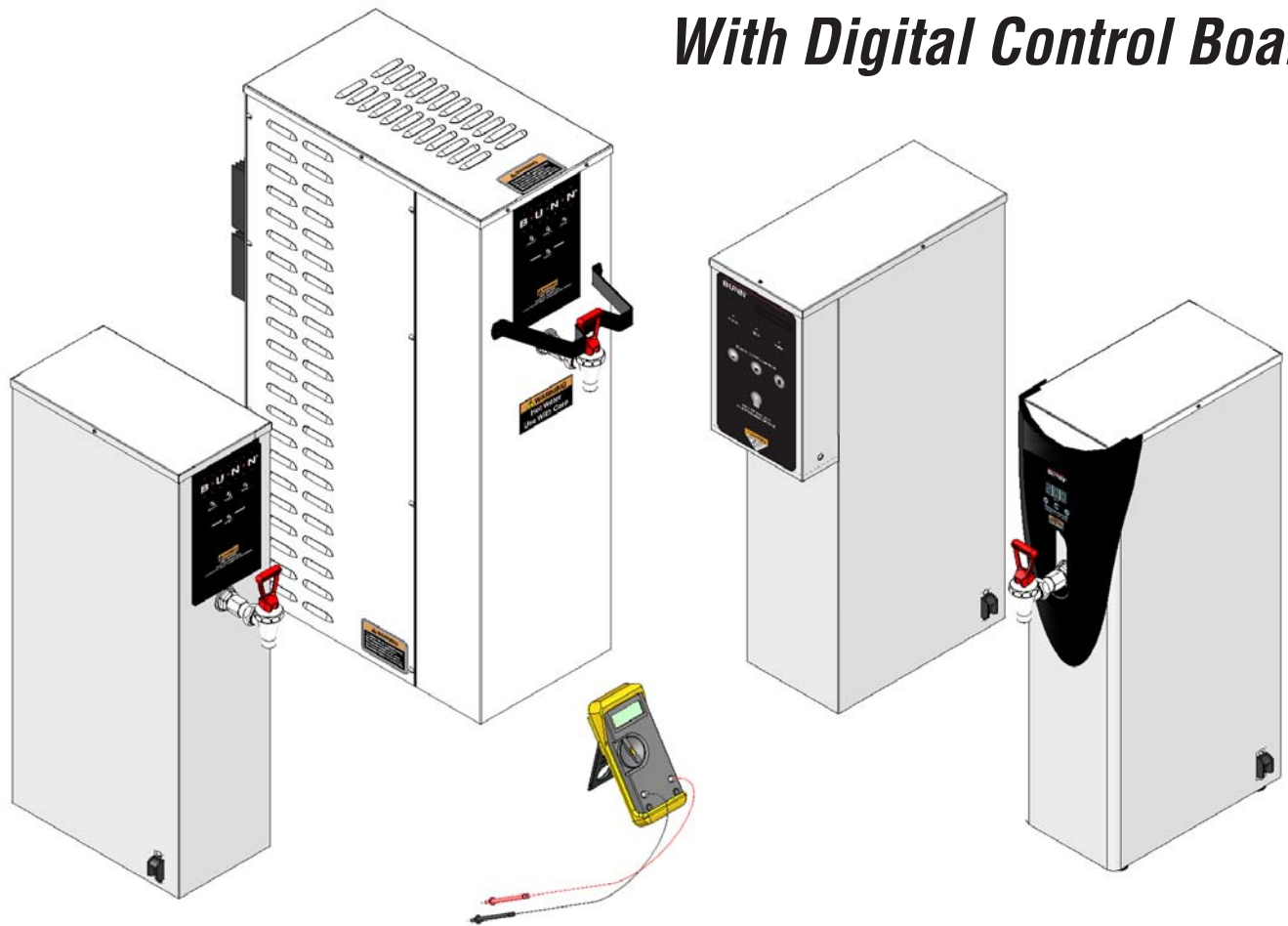


# BUNN®

## *H10X/H5X H5E/DV PC H5 ELEMENT With Digital Control Board*



## SERVICE MANUAL

### BUNN-O-MATIC CORPORATION

POST OFFICE BOX 3227

SPRINGFIELD, ILLINOIS 62708-3227

PHONE: (217) 529-6601 FAX: (217) 529-6644

To ensure you have the latest revision of the manual or to obtain the illustrated parts catalog, please visit the Bunn-O-Matic website, at [www.bunn.com](http://www.bunn.com). This is absolutely FREE, and the quickest way to obtain the latest catalog and manual updates. Contact Bunn-O-Matic Corporation at 1-800-286-6070 to obtain a paper copy of the required Illustrated Parts Catalog mailed via U.S. Postal Service.



## **BUNN-O-MATIC COMMERCIAL PRODUCT WARRANTY**

Bunn-O-Matic Corp. ("BUNN") warrants equipment manufactured by it as follows:

- 1) All equipment other than as specified below: 2 years parts and 1 year labor.
- 2) Electronic circuit and/or control boards: parts and labor for 3 years.
- 3) Compressors on refrigeration equipment: 5 years parts and 1 year labor.
- 4) Grinding burrs on coffee grinding equipment to grind coffee to meet original factory screen sieve analysis: parts and labor for 3 years or 30,000 pounds of coffee, whichever comes first.

These warranty periods run from the date of installation BUNN warrants that the equipment manufactured by it will be commercially free of defects in material and workmanship existing at the time of manufacture and appearing within the applicable warranty period. This warranty does not apply to any equipment, component or part that was not manufactured by BUNN or that, in BUNN's judgment, has been affected by misuse, neglect, alteration, improper installation or operation, improper maintenance or repair, damage or casualty. This warranty is conditioned on the Buyer 1) giving BUNN prompt notice of any claim to be made under this warranty by telephone at (217) 529-6601 or by writing to Post Office Box 3227, Springfield, Illinois 62708-3227; 2) if requested by BUNN, shipping the defective equipment prepaid to an authorized BUNN service location; and 3) receiving prior authorization from BUNN that the defective equipment is under warranty.

**THE FOREGOING WARRANTY IS EXCLUSIVE AND IS IN LIEU OF ANY OTHER WARRANTY, WRITTEN OR ORAL, EXPRESS OR IMPLIED, INCLUDING, BUT NOT LIMITED TO, ANY IMPLIED WARRANTY OF EITHER MERCHANTABILITY OR FITNESS FOR A PARTICULAR PURPOSE.** The agents, dealers or employees of BUNN are not authorized to make modifications to this warranty or to make additional warranties that are binding on BUNN. Accordingly, statements by such individuals, whether oral or written, do not constitute warranties and should not be relied upon.

If BUNN determines in its sole discretion that the equipment does not conform to the warranty, BUNN, at its exclusive option while the equipment is under warranty, shall either 1) provide at no charge replacement parts and/or labor (during the applicable parts and labor warranty periods specified above) to repair the defective components, provided that this repair is done by a BUNN Authorized Service Representative; or 2) shall replace the equipment or refund the purchase price for the equipment.

**THE BUYER'S REMEDY AGAINST BUNN FOR THE BREACH OF ANY OBLIGATION ARISING OUT OF THE SALE OF THIS EQUIPMENT, WHETHER DERIVED FROM WARRANTY OR OTHERWISE, SHALL BE LIMITED, AT BUNN'S SOLE OPTION AS SPECIFIED HEREIN, TO REPAIR, REPLACEMENT OR REFUND.**

In no event shall BUNN be liable for any other damage or loss, including, but not limited to, lost profits, lost sales, loss of use of equipment, claims of Buyer's customers, cost of capital, cost of down time, cost of substitute equipment, facilities or services, or any other special, incidental or consequential damages.

392, AutoPOD, AXIOM, BrewLOGIC, BrewMETER, Brew Better Not Bitter, BrewWISE, BrewWIZARD, BUNN Espresso, BUNN Family Gourmet, BUNN Gourmet, BUNN Pour-O-Matic, BUNN, BUNN with the stylized red line, BUNNlink, Bunn-O-Matic, Bunn-O-Matic, BUNNserve, BUNNSERVE with the stylized wrench design, Cool Froth, DBC, Dr. Brew stylized Dr. design, Dual, Easy Pour, EasyClear, EasyGard, FlavorGard, Gourmet Ice, Gourmet Juice, High Intensity, iMIX, Infusion Series, Intellisteam, My Café, PowerLogic, Quality Beverage Equipment Worldwide, Respect Earth, Respect Earth with the stylized leaf and coffee cherry design, Safety-Fresh, savemycoffee.com, Scale-Pro, Silver Series, Single, Smart Funnel, Smart Hopper, SmartWAVE, Soft Heat, SplashGard, The Mark of Quality in Beverage Equipment Worldwide, ThermoFresh, A Partner You Can Count On, Air Brew, Air Infusion, Beverage Bar Creator, Beverage Profit Calculator, Brew better, not bitter., BUNNsource, Coffee At Its Best, Cyclonic Heating System, Digital Brewer Control, Nothing Brews Like a BUNN, Pouring Profits, Signature Series, Tea At Its Best, Phase Brew, The Horizontal Red Line, Titan, trifecta, Ultra, Velocity Brew are either trademarks or registered trademarks of Bunn-O-Matic Corporation.

**WARNING** - Inspection, testing, and repair of electrical equipment should be performed only by qualified service personnel. Disconnect the dispenser from the power source when servicing, except when electrical tests are required and the test procedure specifically states to connect the dispenser to the power source.

**CONTENTS**

TroubleShooting..... 4  
Component Access ..... 7  
Electronic Controls.....8-11  
Limit Thermostat..... 12  
Safety Overflow Switch ..... 13  
Solenoid Valve (Late Models)..... 14  
Solenoid Valve (Early Models) ..... 15  
Tank Heater ..... 16  
Steam Sensor ..... 17  
Dispense Valve (PC)..... 18  
Electrical Schematic..... 19-23

## TROUBLESHOOTING

A troubleshooting guide is provided to suggest probable causes and remedies for the most likely problems encountered. If the problem remains after exhausting the troubleshooting steps, contact the Bunn-O-Matic Technical Service Department.

- Inspection, testing, and repair of electrical equipment should be performed only by qualified service personnel.
- All electronic components have 120 – 240 volt ac and low voltage dc potential on their terminals. Shorting of terminals or the application of external voltages may result in board failure.
- Intermittent operation of electronic circuit boards is unlikely. Board failure will normally be permanent. If an intermittent condition is encountered, the cause will likely be a switch contact or a loose connection at a terminal or crimp.
- Solenoid removal requires interrupting the water supply to the valve. Damage may result if solenoids are energized for more than ten minutes without a supply of water.
- The use of two wrenches is recommended whenever plumbing fittings are tightened or loosened. This will help to avoid twists and kinks in the tubing.
- Make certain that all plumbing connections are sealed and electrical connections tight and isolated.
- This dispenser is heated at all times. Keep away from combustibles.

### WARNING

- Exercise extreme caution when servicing electrical equipment.
- Disconnect dispenser from the power source when servicing, except when electrical tests are specified.
- Follow recommended service procedures
- Replace all protective shields or safety notices

### FAULT CODES

When a fault occurs (failure to the unit) the **POWER** lamp will flash to identify the problem.

| Flashes | Description of Failure                          |
|---------|---|
| 1       | Temperature Sensor (short)                      |
| 2       | Temperature Sensor (open)                       |
| 3       | Refill Fault (continuous refill for 15 minutes) |
| 4       | Heater Fault (heater relay on for 120 minutes)  |
| 5       | Boil Thermistor (short) H5X/H10X only           |
| 6       | Boil Thermistor (open) H5X/H10X only            |

| Problem                     | Probable Cause                   | Remedy  |
|-----------------------------|----------------------------------|---|
| Equipment will not operate. | 1. No power or incorrect voltage | (A) Check the terminal block for the correct voltage. It should be:<br>a.) 100 to 120 volts ac across the black and white terminals for 100 to 120 volt models or,<br>b.) 200 to 240 volts ac across the red and black terminals for 200 to 240 volt models or,<br>c.) 230 volts ac across the red and black terminals for 230 volt models.<br><br>(B) Check circuit breakers or fuses. |

## TROUBLESHOOTING (cont.)

| Problem   | Probable Cause                 | Remedy  |
|---|--------------------------------|---|
| Equipment will not operate (cont.)  | 2. Safety overflow switch      | Refer to Service – safety overflow switch for testing procedures.   |
| Automatic refill will not operate after drawing hot water.  | 1. No water                    | Check plumbing and shut-off valves.   |
|   | 2. Water strainer/flow control | (A) Direction of flow arrow must be pointing towards dispenser.<br><br>(B) Remove the strainer/flow control and check for obstructions. Clear or replace. |
|   | 3. Liquid level system         | Refer to Service – electronic controls for testing procedures.  |
|   | 4. Solenoid valve              | Refer to Service – solenoid valve for testing procedures.   |
| Water flows into the tank continuously (Dispenser disconnected from power source).                          | 1. Solenoid valve              | Refer to Service – solenoid valve for testing procedures.   |
| Water flows into the tank continuously (Dispenser connected to power source).                               | 1. Liquid level system         | Refer to Service – electronic controls for testing procedures.  |
| Water is cold.  | 1. Safety overflow switch      | Refer to Service – safety overflow switch for testing procedures.   |
|   | 2. Limit thermostat            | Refer to Service – limit thermostat for testing procedures.   |
| <b>CAUTION</b> – Do not eliminate or bypass limit thermostat. Use only B.O.M. replacement part #23717.0003. |                                |   |
|   | 3. Tank heater                 | Refer to Service – tank heater for testing procedures.  |
|   | 4. Temperature control         | Refer to Service – electronic controls for testing procedures.  |

## TROUBLESHOOTING (cont.)

| <b>Problem</b>            | <b>Probable Cause</b>  | <b>Remedy</b>   |
|---------------------------|------------------------|---|
| Water boils continuously. | 1. Temperature control | Refer to Service – electronic controls for testing procedures.          |
|                           | 2. Lime build-up       | Inspect the tank assembly for excess lime deposits. Delime as required. |

**CAUTION** – Tanks and tank components should be delimed regularly depending on local water conditions. Excessive mineral build-up on stainless steel surfaces can initiate corrosive reactions resulting in serious leaks.

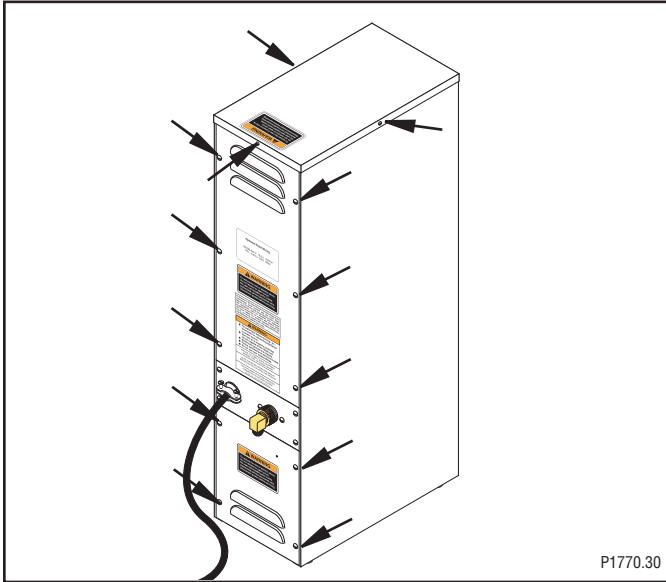
|                                     |                   |  |
|-------------------------------------|-------------------|--|
| Dispenser is making unusual noises. | 1. Plumbing lines | Plumbing lines should not be resting on the counter top.   |
|                                     | 3. Water supply   | (A) The dispenser must be connected to a cold water line.<br><br>(B) Water pressure to the dispenser must not be higher than 90 psi (620 kPa). Install a regulator if necessary to lower the working pressure to approximately 50 psi (345 kPa). |

|                                 |                        |  |
|---------------------------------|------------------------|--|
| Ready indicator will not light. | 1. Temperature control | Refer to Service – electronic controls for testing procedures. |
|                                 | 2. Ready Indicator LED | Replace the indicator LED.                                     |

## SERVICE

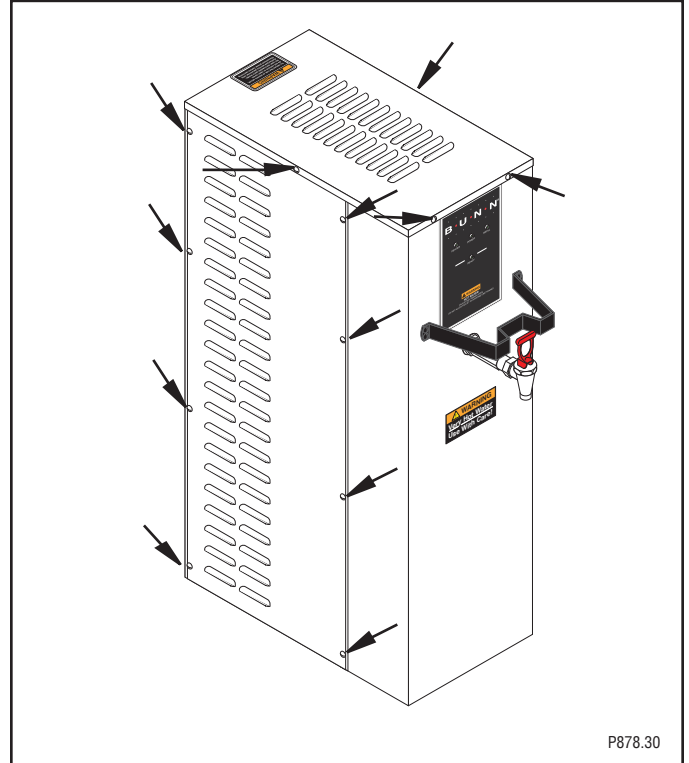
**WARNING** – Disconnect the dispenser from the power source before the removal of any panel or the replacement of any component. **WARNING** - Inspection, testing, and repair of electrical equipment should be performed only by qualified service personnel. Disconnect the dispenser from the power source when servicing, except when electrical tests are required and the test procedure specifically states to connect the dispenser to the power source.

### Component Access - H5E/DV-PC/X

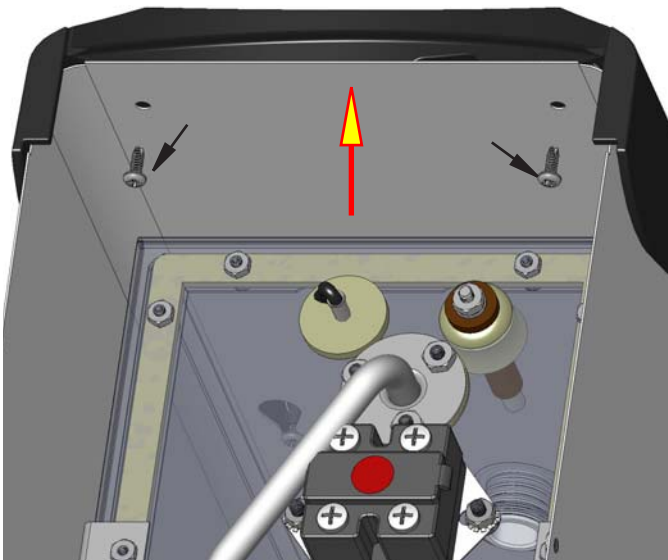


The check valve, electronic control assembly, safety overflow switch, solenoid valve, overflow tube temperature sensor and terminal block are located at the rear of the dispenser. Access is gained by removing the upper and lower rear panels. The upper is attached with six 8-32 slotted-head screws. The lower is attached with four 8-32 slotted-head screws. The middle panel must not be removed from the dispenser.

### Component Access - H10X



The check valve, electronic control assembly, overflow protection switch, solenoid valve, overflow tube temperature sensor, triac assembly (EARLY MODELS ONLY) and terminal block are located on the side of the dispenser. Access is gained by removing the side panel. The panel is attached with eight 8-32 slotted-head screws.



**Faceplate Removal - H5 ELEMENT:** After removing top cover, remove the two upper screws securing the faceplate. Carefully lift faceplate straight up until the three lower screws clear the key holes.

# SERVICE

## Electronic Controls

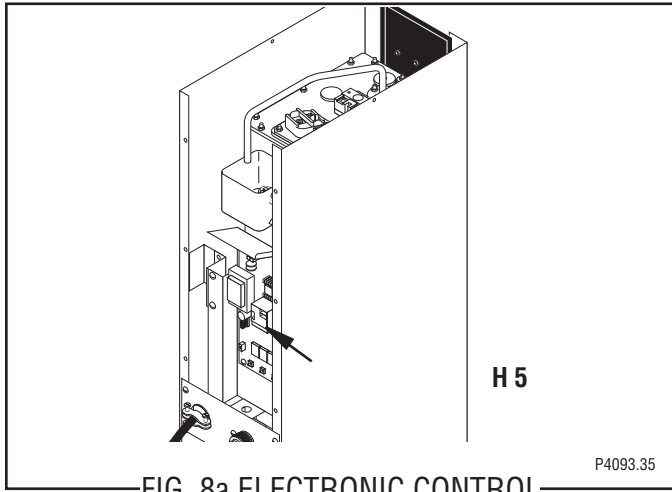


FIG. 8a ELECTRONIC CONTROL

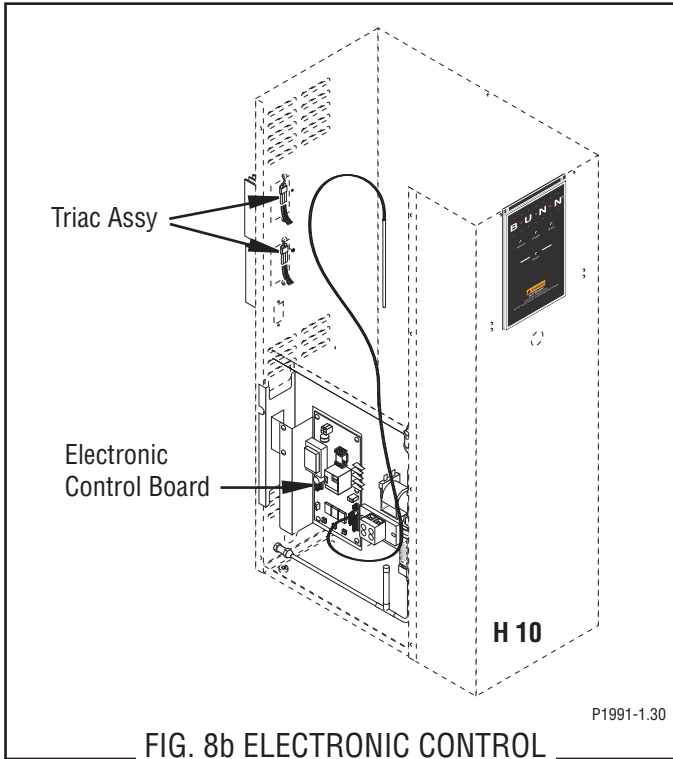


FIG. 8b ELECTRONIC CONTROL BOARD AND TRIAC

### Location:

The electronic control board is located inside the rear of the dispenser. Access will also be needed to the temperature sensor, overflow tube temperature sensor, and liquid level probe located on the tank lid.

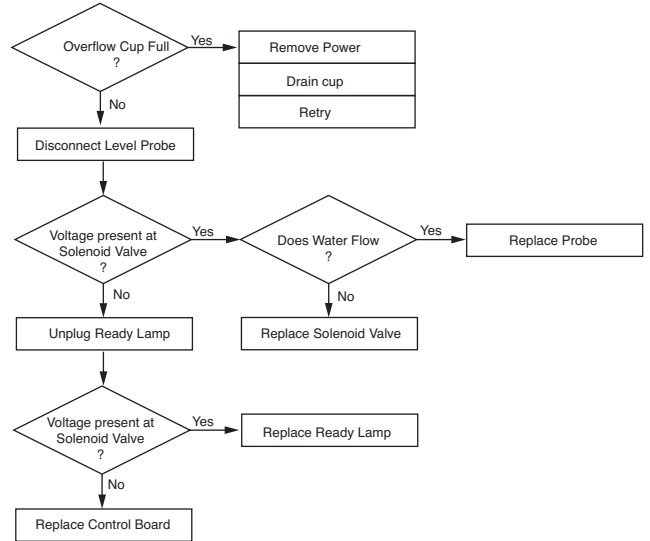
### General:

This system controls the liquid level and water temperature of the dispenser. These two functions act independently of each other and should be tested separately.

## Liquid Level Control Flow Charts

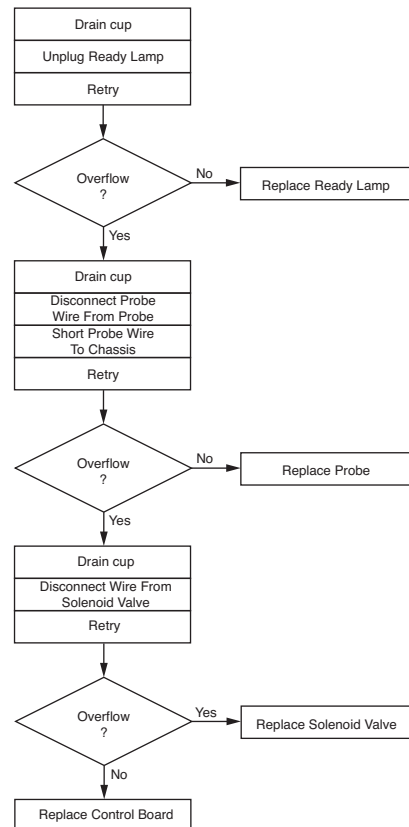
### H5E, H5X LIQUID LEVEL CONTROL

#### PROBLEM: Does Not Refill



### H5E, H5X LIQUID LEVEL CONTROL

#### PROBLEM: Overflows





## SERVICE (cont.)

### Electronic Controls (cont.)

#### Liquid Level Control Test Procedure

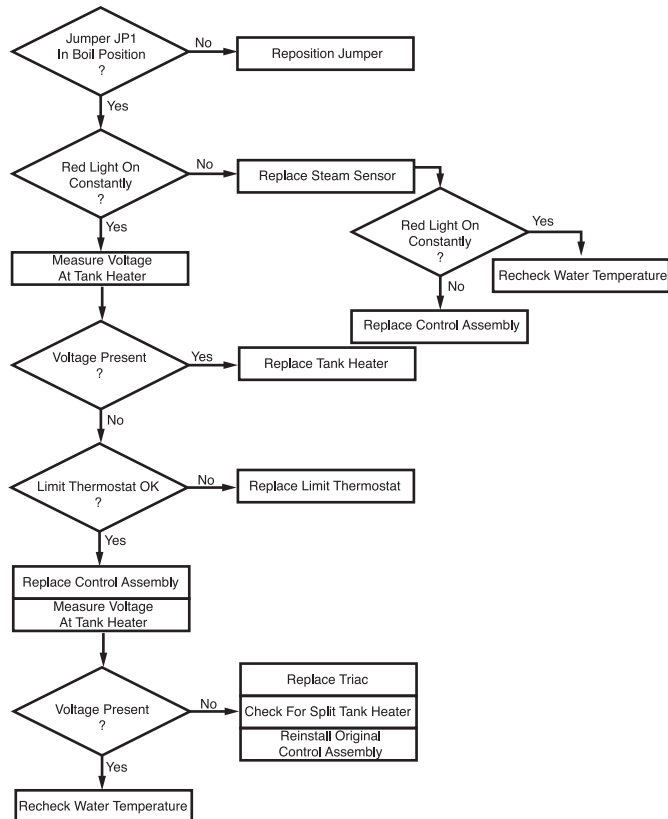
1. Disconnect the dispenser from the power source.
2. Check the voltage across terminals 3 & 4 of the electronic control board with a voltmeter. Connect the dispenser to the power source. The indication must be:
  - a.) 100 to 120 volts ac for 100 to 120 volt models or
  - b.) 200 to 240 volts ac for 200 to 240 volt models or
  - c.) 230 volts ac for 230 volt models.
3. Disconnect the dispenser from the power source. If voltage was present as described, proceed to #4. If voltage was not present as described, refer to the Wiring Diagrams and check the dispenser wiring harness.
4. Remove the pink wire from terminal 5 of the electronic control assembly.
5. Check the voltage across terminals 1 & 4 of the electronic control board with a voltmeter. Connect the dispenser to the power source. The indication must be:
  - a.) 100 to 120 volts ac for 100 to 120 voltmodels or
  - b.) 200 to 240 volts ac for 200 to 240 volt models or
  - c.) 230 volts ac for 230 volt models after a delay of approximately 5 seconds.
6. Disconnect the dispenser from the power source.

If voltage was present as described, the liquid level control of the system is operating properly, proceed to #7. If voltage was not present as described, replace the electronic control board and the temperature sensor in the tank lid.

#### Temperature Control Flow Charts

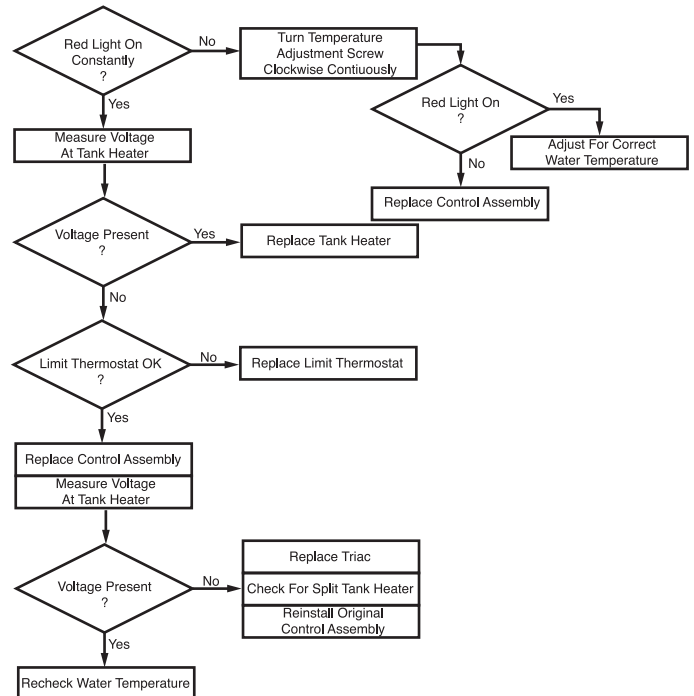
##### H5X THERMOSTAT

PROBLEM: Water Not Hot Enough



##### H5E THERMOSTAT

PROBLEM: Water Not Hot Enough



## Electronic Controls (cont.)

7. Reconnect the pink wire to terminal 5 of the electronic control assembly.
8. Loosen the compression fitting, remove the probe from the tank lid, and inspect it for mineral deposits. Replace it if necessary. Keep the exposed ends of the probe away from any metal surface of the dispenser.
9. Check the voltage across terminals 1 & 4 of the electronic control assembly with a voltmeter. Connect the dispenser to the power source. The indication must be:
  - a.) 100 to 120 volts ac for 100 to 120 volt models or
  - b.) 200 to 240 volts ac for 200 to 240 volt models or
  - c.) 230 volts ac for 230 volt models after a delay of approximately 5 seconds.
10. Touch the screw head end of the probe to the dispenser housing. The indication must be 0.
11. Move the probe away from the dispenser housing. The indication must again be:
  - a.) 100 to 120 volts ac for 100 to 120 volt models or
  - b.) 200 to 240 volts ac for 200 to 240 volt models or
  - c.) 230 volts ac for 230 volt models after a delay of approximately 5 seconds.
12. Disconnect the dispenser from the power source.

If voltage was not present as described, check the pink probe wire and the green ground wire for continuity and/or replace the probe.

## Temperature Control Test Procedure

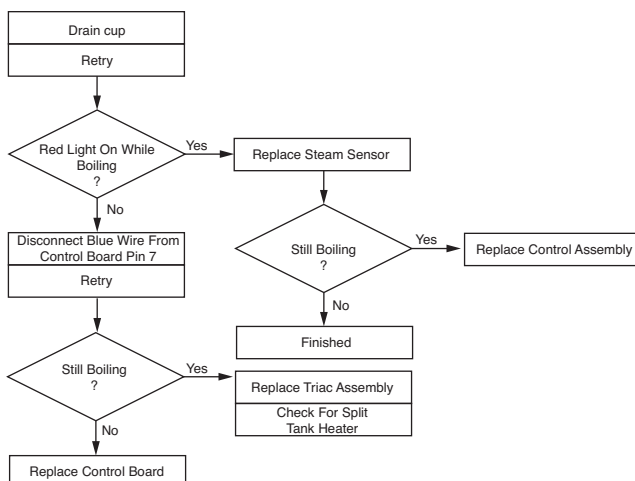
1. Disconnect the dispenser from the power source.
2. Check the voltage across terminals 3 & 4 of the electronic control circuit board with a voltmeter. Connect the dispenser to the power source. The indication must be:
  - a.) 100 to 120 volts ac for 100 to 120 volt models or
  - b.) 200 to 240 volts ac for 200 to 240 volt models or
  - c.) 230 volts ac for 230 volt models.
3. Disconnect the dispenser from the power source.
4. Check the voltage across the tank heater terminals with a voltmeter. Connect the dispenser to the power source. The indication must be:
  - a.) 100 to 120 volts ac for 100 to 120 volt models or
  - b.) 200 to 240 volts ac for 200 to 240 volt models or
  - c.) 230 volts ac for 230 volt models.
5. Disconnect the dispenser from the power source.

## Temperature Control Flow Charts (cont.)

If voltage was present as described, reinstall the probe, the sensing function of the system is operating properly.

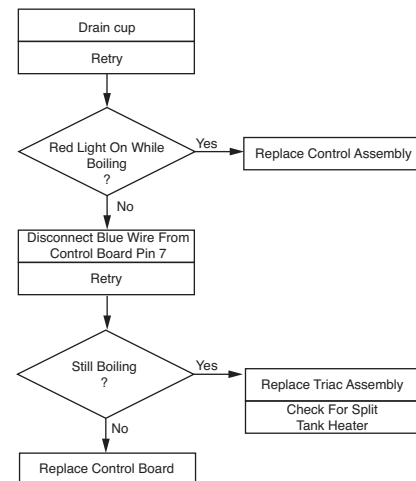
### H5X THERMOSTAT

#### PROBLEM: Boils Excessively - Fills Cup



### H5E THERMOSTAT

#### PROBLEM: Boils



## SERVICE (cont.)

### Electronic Controls (cont.)

If voltage was present as described, the temperature control of the system is operating properly.

If voltage was not present as described, contact Bunn-O-Matic to order an electronic control board and temperature sensor for evaluation and proceed to #9.

6. Replace the electronic control board.
7. Check the voltage across the tank heater terminals with a voltmeter. Connect the dispenser to the power source. The indication must be:
  - a.) 100 to 120 volts ac for 100 to 120 volt models or
  - b.) 200 to 240 volts ac for 200 to 240 volt models or
  - c.) 230 volts ac for 230 volt models
8. Disconnect the dispenser from the power source.

If voltage was present as described, the temperature control of the system is operating properly. Return the new electronic control board or temperature sensor to Bunn-O-Matic for credit.

### Electronic Controls Removal and Replacement

1. Remove all wires from the electronic control board terminals.
2. Remove the six 6-32 screws holding the electronic control board to the component bracket.
3. Disconnect the temperature sensor, overflow tube temperature sensor, and indicator wires from the electronic control board.
4. Attach the temperature sensor, overflow tube temperature sensor, and indicator wires to the electronic control assembly.
5. Fasten the new electronic control board to its bracket.
6. Refer to Fig 2 when reconnecting the wires.
7. Review the initial set-up procedures on page 6.

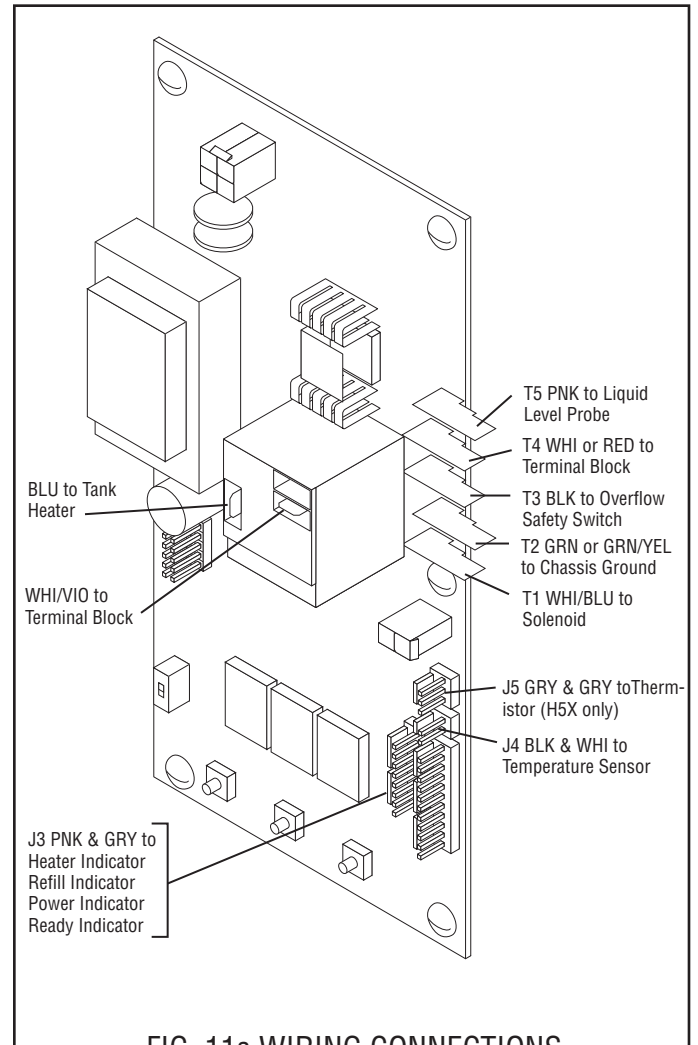


FIG. 11a WIRING CONNECTIONS

### Adjustments

The H5X/H10X dispensers hold the water temperature at the threshold of boiling. It is not adjustable by the user.

The H5E dispenser is factory calibrated for the temperature specified on the data plate. If adjustment is required, use the following procedure:

1. Fill the dispenser according to the steps in the Initial Set-up.
2. Take the temperature of the stream of water immediately below the faucet as it flows from the dispenser with an accurate thermometer. Do not take the temperature of water collected in a container.
3. If any adjustment is required, refer to *LEVEL 1 PROGRAMMING* in the Operating Manual.

## SERVICE (cont.)

### Limit Thermostat

#### Location:

The limit thermostat is located on the tank lid.

To test the limit thermostat, access will also be needed to the terminal block located at the rear of the dispenser.

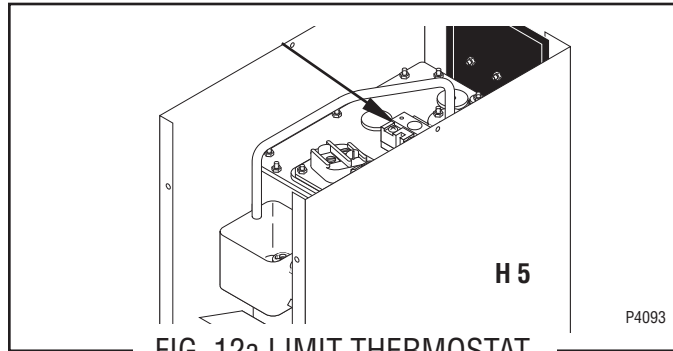


FIG. 12a LIMIT THERMOSTAT

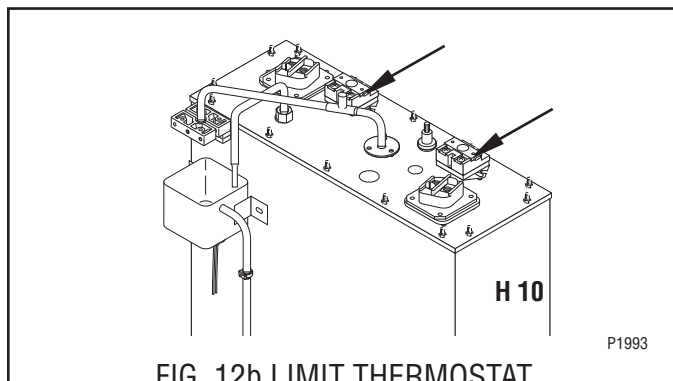


FIG. 12b LIMIT THERMOSTAT

#### Test Procedure:

1. Disconnect the dispenser from the power source.
2. There are two black wires on the limit thermostat terminals. One comes from the terminal block. The other goes directly to the tank heater terminal. Remove the black wire at the limit thermostat coming from the terminal block.
3. Check the voltage across the black wire removed from the limit thermostat and the white wire or red wire of the terminal block with a voltmeter. Connect the dispenser to the power source. The indication must be:
  - a.) 100 to 120 volts ac for 100 to 120 volt models or
  - b.) 200 to 240 volts ac for 200 to 240 volt models or
  - c.) 230 volts ac for 230 volt models.
4. Disconnect the dispenser from the power source.

If voltage was present as described, reconnect the black wire and proceed to #5.

If voltage was not present as described, refer to the Wiring Diagrams and check the dispenser wiring harness.

5. Check for continuity across the terminals of the limit thermostat.

If continuity is not present as described, the circuit is broken. Press the reset button of the limit thermostat and recheck for continuity.

If continuity is not present as described, replace the limit thermostat.

#### Removal and Replacement:

1. Remove both wires from the limit thermostat terminals.
2. Remove the two #10-32 nuts attaching the limit thermostat to the top of the tank.
3. Install the new limit thermostat and secure into place with two #10-32 nuts.
4. Refer to FIG. 4 when reconnecting the wires.

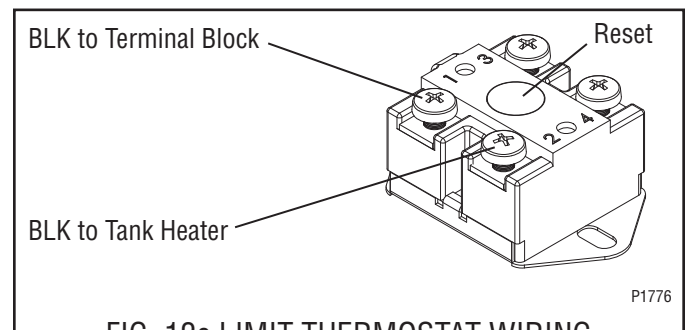


FIG. 12c LIMIT THERMOSTAT WIRING

## SERVICE (cont.)

### Safety Overflow Switch

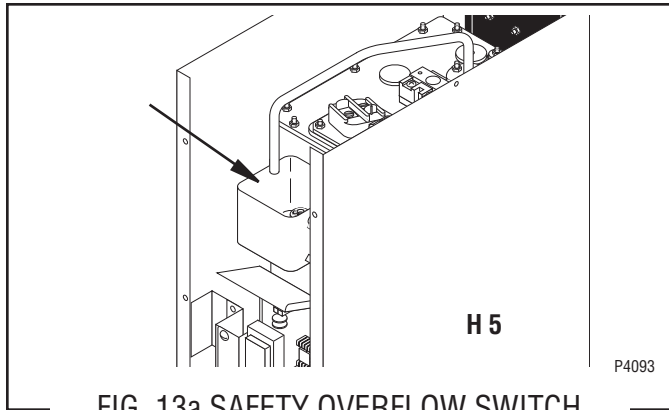


FIG. 13a SAFETY OVERFLOW SWITCH

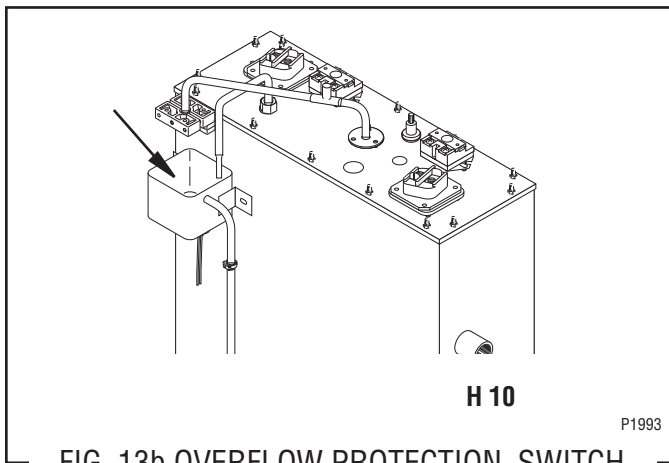


FIG. 13b OVERFLOW PROTECTION SWITCH

#### Location:

The safety overflow switch is located inside the rear of the dispenser inside the copper overflow cup.

For testing or removal of the safety overflow switch, access may also be needed by removing the two screws attaching the electronic control assembly to its mounting bracket.

#### Test Procedure:

1. Once voltage is verified at the power source, check for continuity across the safety overflow switch red wires only until the plastic float is raised and check that continuity returns when the plastic float is again lowered.

If continuity is present as described, reconnect each of the red wires to the black wires, the safety overflow switch is operating properly.

If continuity is not present as described, replace the safety overflow switch.

#### Removal and Replacement:

1. Disconnect the black wires from the safety overflow switch.
2. Remove the nut beneath the copper overflow cup.
3. Remove the entire switch assembly from the cup.
4. Place the new switch assembly into the cup, wires first. Make sure that a gasket is in place around the threaded switch stem.

**NOTE** - The magnets must be at the top of the float and there must be NO stainless steel washers installed for the safety overflow switch to operate properly.

5. Install the nut beneath the copper overflow cup. Be sure not to overtighten.
6. Reconnect the wires, FIG. 6.

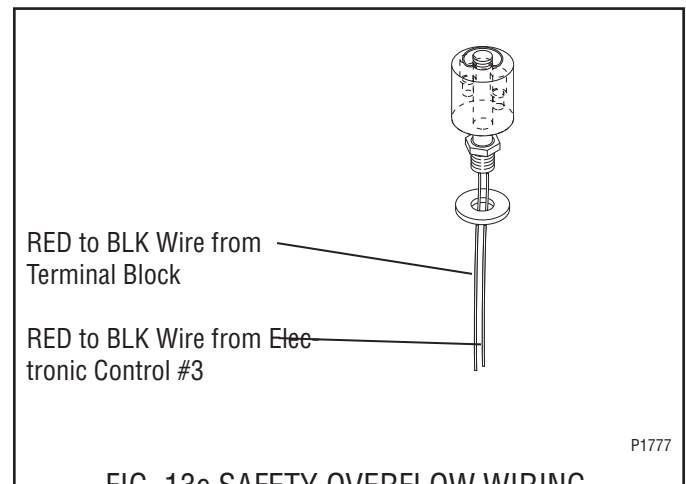


FIG. 13c SAFETY OVERFLOW WIRING

## SERVICE (cont.)

### Solenoid Valve (Late Models)

#### Location:

The solenoid valve is located inside the rear of the dispenser on the right side near the bottom. To test the solenoid valve, access will also be needed to the electronic control board.

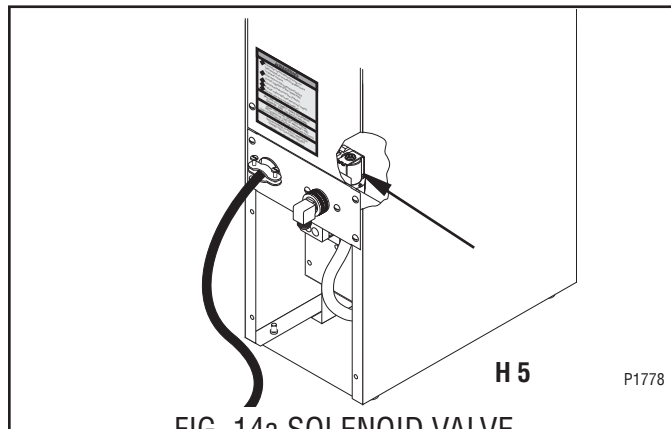


FIG. 14a SOLENOID VALVE

#### Test Procedure:

1. Disconnect the dispenser from the power source and turn-off the water supply to the dispenser.
2. Remove the pink wire from terminal 5 of the electronic control board.
3. Check the voltage across the solenoid valve coil terminals with a voltmeter. Connect the dispenser to the power source. The indication must be:
  - a.) 100 to 120 volts ac for 100 to 120 volt models or
  - b.) 200 to 240 volts ac for 200 to 240 volt models or
  - c.) 230 volts ac for 230 volt models after a delay of approximately 5 seconds.
4. Disconnect the dispenser from the power source.

If voltage was present as described, proceed to #5.  
If voltage was not present as described, refer to the Wiring Diagrams and check the dispenser wiring harness.

5. Remove both wires from the solenoid valve coil terminals.
6. Check for continuity across the solenoid valve coil terminals.

If continuity is present as described, reconnect the wires and proceed to #7.

If continuity is not present as described, replace the solenoid valve coil.

7. Check the solenoid valve for coil action. Connect the dispenser to the power source. Listen carefully in the vicinity of the solenoid valve for a “clicking”

sound after approximately 5 seconds, as the coil magnet attracts the plunger.

8. Disconnect the dispenser from the power source.
9. Reconnect the pink wire to terminal 5 of the electronic control board.

If the sound was heard as described and water will not pass through the solenoid valve, there may be a blockage in the water line before or after the solenoid valve or the solenoid valve may require inspection for wear and removal of waterborne particles.

If the sound was not heard as described, replace the solenoid valve.

#### Removal and Replacement:

1. Remove all wires from the solenoid valve coil.
2. Turn-off the water supply to the dispenser.
3. Disconnect the water line from the solenoid valve.
4. Remove the two 8-32 slotted-head screws holding the solenoid valve and mounting bracket to the back panel.
5. Lift-out the solenoid valve.
6. Securely install the new solenoid valve to the back panel.
7. Securely fasten the water line to the solenoid valve.
8. Reconnect the wires, FIG. 8.

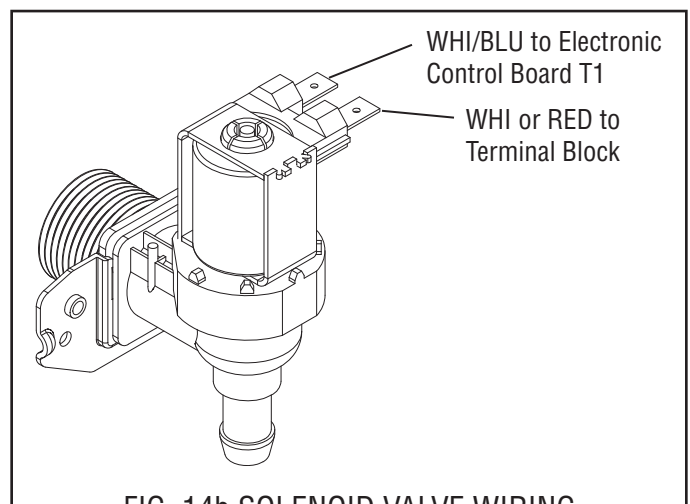


FIG. 14b SOLENOID VALVE WIRING

## SERVICE (cont.)

### Solenoid Valve (Early Models)

#### Location:

The solenoid valve is located behind the large access panel on the left side of the dispenser.

To test the solenoid valve, access will also be needed to the electronic control board.

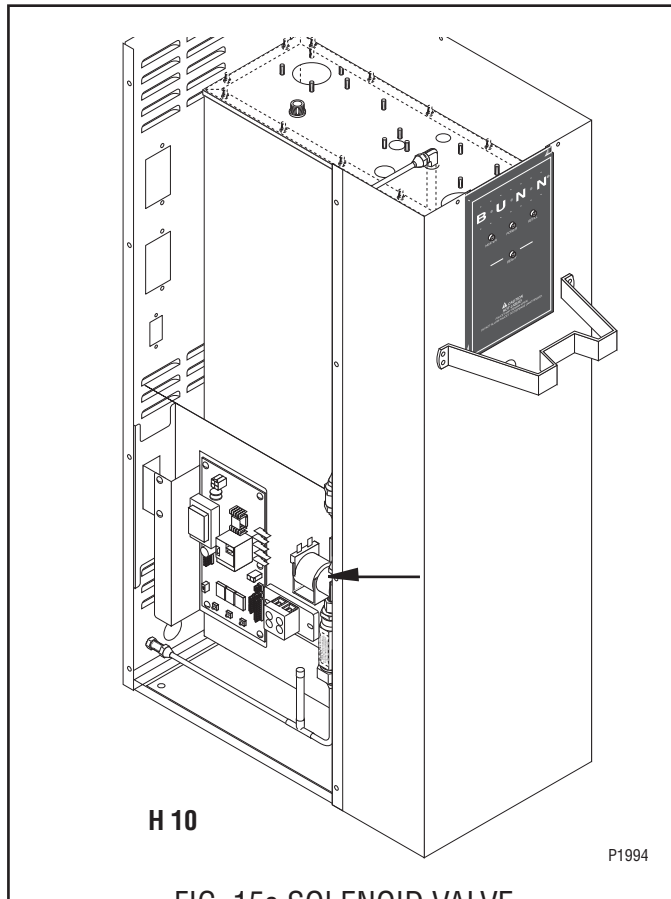


FIG. 15a SOLENOID VALVE

#### Test Procedure:

1. Disconnect the dispenser from the power source and turn off the water supply to the dispenser.
2. Remove the pink wire from terminal 5 of the electronic control board.
3. Check the voltage across the solenoid valve coil terminals with a voltmeter. Connect the dispenser to the power source. The indication must be 200 to 240 volts ac for 200 to 240 volt models after a delay of approximately 5 seconds.
4. Disconnect the dispenser from the power source.

If voltage was present as described, proceed to #5.  
If voltage was not present as described, refer to the Wiring Diagrams and check the dispenser wiring harness.

5. Remove both wires from the solenoid valve coil terminals.
6. Check for continuity across the solenoid valve coil terminals.

If continuity is present as described, reconnect the wires and proceed to #7.

If continuity is not present as described, replace the solenoid valve coil.

7. Check the solenoid valve for coil action. Connect the dispenser to the power source. Listen carefully in the vicinity of the solenoid valve for a “clicking” sound after approximately 5 seconds, as the coil magnet attracts the plunger.
8. Disconnect the dispenser from the power source.
9. Reconnect the pink wire to terminal 5 of the electronic control board.

If the sound was heard as described and water will not pass through the solenoid valve, there may be a blockage in the water line before or after the solenoid valve or the solenoid valve may require inspection for wear and removal of waterborne particles.

If the sound was not heard as described, replace the solenoid valve.

#### Removal and Replacement:

1. Remove all wires from the solenoid valve coil.
2. Turn off the water supply to the dispenser.
3. Disconnect the water lines to and from the solenoid valve.
4. Remove the two 8-32 slotted-head screws holding the solenoid valve and mounting bracket to the component bracket.
5. Lift out the solenoid valve.
6. Remove the two 10-32 slotted-head screws holding the solenoid valve to its mounting bracket.
7. Securely install the new solenoid valve to its mounting bracket. The direction of flow arrow must be pointing towards the tank lid.
8. Attach the solenoid valve and mounting bracket to the component bracket.
9. Securely fasten the water lines to and from the solenoid valve.
10. Reconnect the wires, FIG. 8.

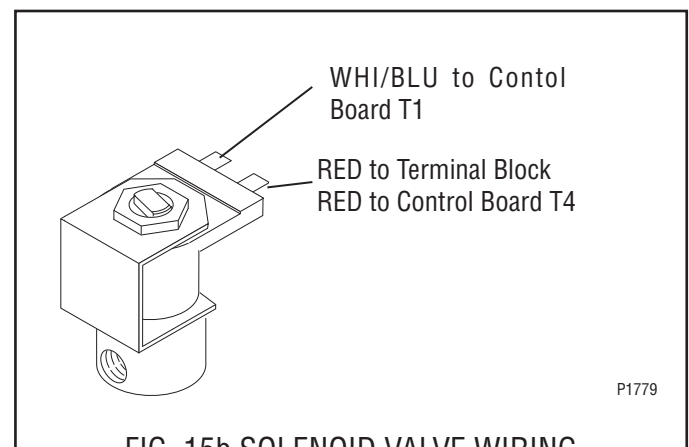


FIG. 15b SOLENOID VALVE WIRING

## SERVICE (cont.)

### Tank Heater

#### Location:

The tank heater is located in the tank lid.

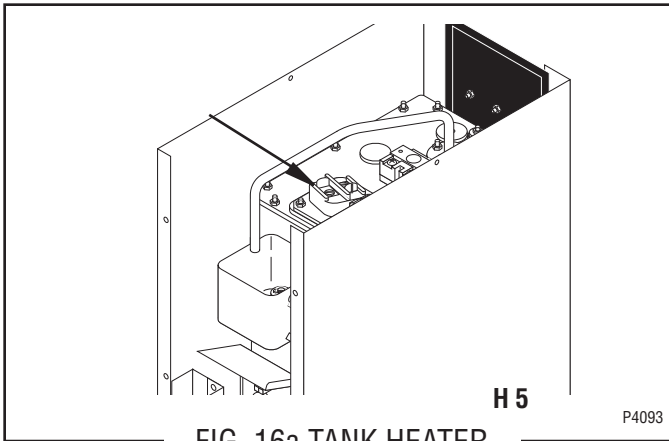


FIG. 16a TANK HEATER

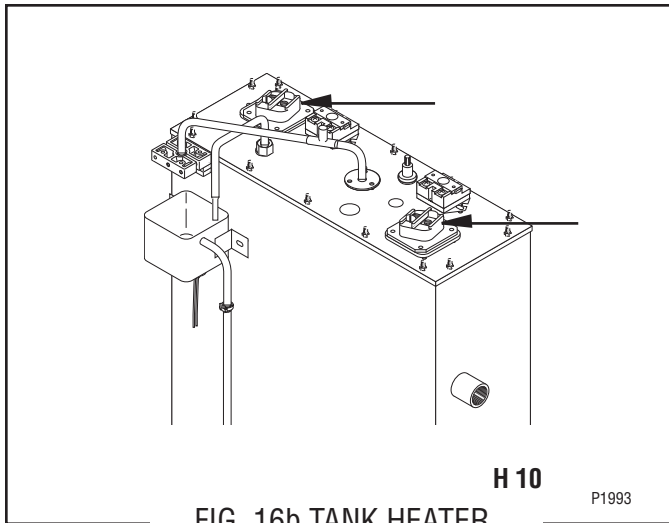


FIG. 16b TANK HEATER

- Remove the tank heater from the tank lid and inspect it for cracks in the sheath.

If the sheath shows no sign of damage, proceed to #5. If the sheath is damaged, replace the tank heater.

- Check for continuity across the tank heater terminals.

If continuity is present as described, reinstall the tank heater. The tank heater is operating properly. If continuity is not present as described, replace the tank heater.

#### Removal and Replacement:

- Remove the wires to the tank heater.
- Remove the 8-32 nuts from the tank heater flange.
- Remove the tank heater.
- Inspect the tank heater gasket and replace if necessary.
- Securely install the new tank heater. Be certain of a watertight seal.
- Reconnect the wires, FIG. 10.

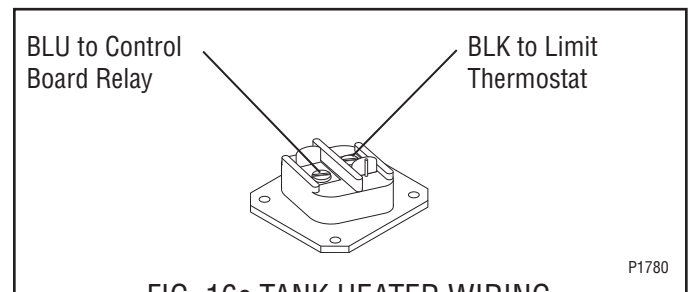


FIG. 16c TANK HEATER WIRING

#### Test Procedure:

- Disconnect the dispenser from the power source.
- Check the voltage across the terminals of the tank heater with a voltmeter. Connect the dispenser to the power source. The indication must be:
  - 100 to 120 volts ac for 100 to 120 volt models or
  - 200 to 240 volts ac for 200 to 240 volt models or
  - 230 volts ac for 230 volt models.
- Disconnect the dispenser from the power source.

If voltage is present as described, proceed to #4.

If voltage is not present as described, replace the tank heater.

| HEATER                               | RESISTANCE                      |
|--------------------------------------|---------------------------------|
| 1800W-120V                           | 7.44 $\Omega$ - 8.67 $\Omega$   |
| 4000W-240V                           | 13.43 $\Omega$ - 15.51 $\Omega$ |
| 4000W-208V                           | 10.09 $\Omega$ - 11.99 $\Omega$ |
| 6000W-240V                           | 8.85 $\Omega$ - 10.23 $\Omega$  |
| 6000W-208V                           | 6.67 $\Omega$ - 7.70 $\Omega$   |
| TERMINAL TO SHEATH - INFINITE (OPEN) |                                 |



## SERVICE (cont.)

### Steam Sensor (Thermistor)

#### Location:

The thermistor is located on the end of the overflow tube above the overflow cup. To test the thermistor, access will also be needed to the electronic control board.

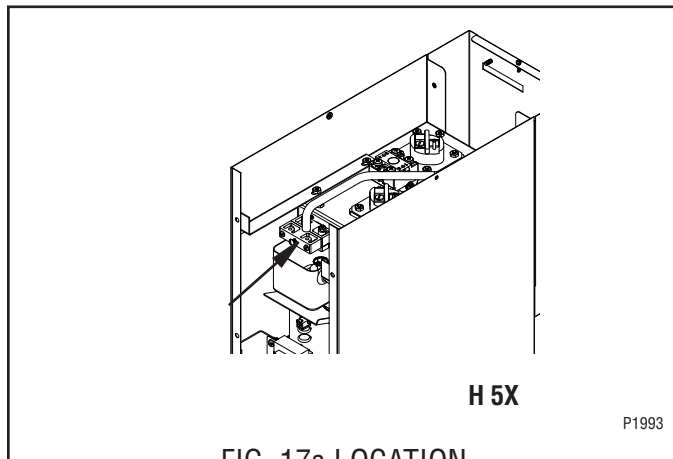


FIG. 17a LOCATION

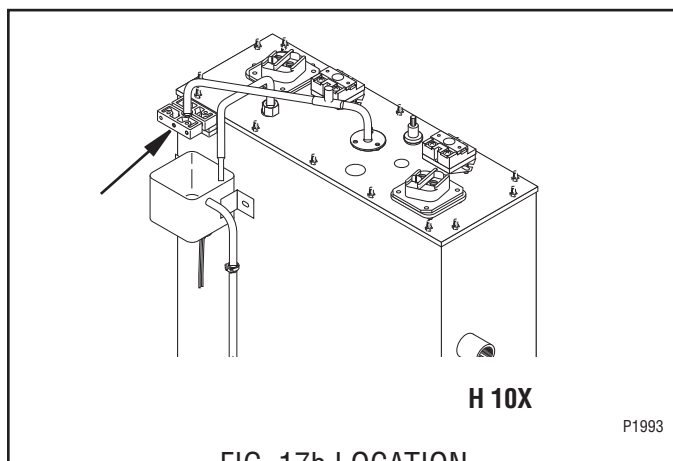


FIG. 17b LOCATION

#### Removal and Replacement:

1. Disconnect the dispenser from the power source.
2. Disconnect the thermistor from J5 on control board.
3. Loosen the set screw and the two screws securing the two half blocks together. Remove thermistor assembly from overflow tube.
4. Install new thermistor on tube and slide down until it contacts the flared end. **NOTE: It's critical that the thermistor be centered directly under the tube opening.**
5. Snug the set screw so the block assembly does not move around easily.
6. Connect the thermistor to J5 on control board.

**NOTE: DO NOT TEST OPERATION WITH PANELS REMOVED, AS AIR MOVEMENT CAN HINDER PROPER READINGS ON THERMISTOR.**

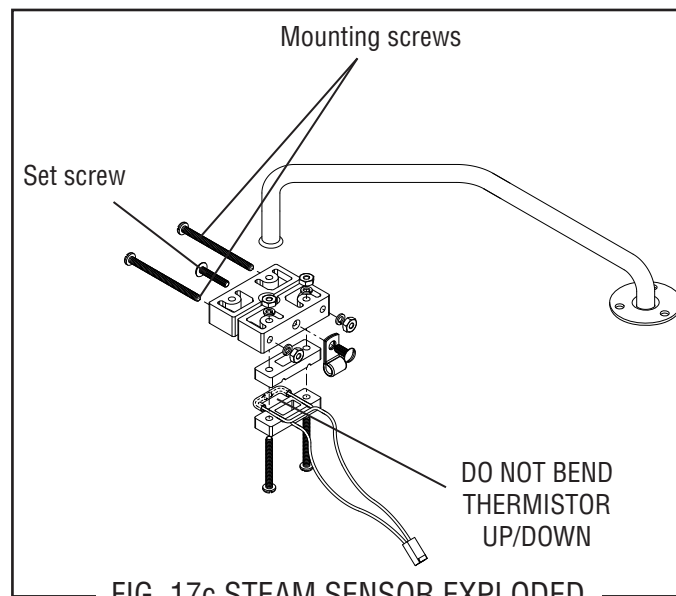


FIG. 17c STEAM SENSOR EXPLODED

#### Test Procedure:

1. Disconnect the dispenser from the power source.
2. Disconnect the thermistor from J5 on control board.
3. Check the resistance across thermistor with a ohmmeter. The resistance range is approximately  $9K\Omega$  @ room temperature to approximately  $2K\Omega$  @  $200^{\circ}F$ .
4. Disconnect the dispenser from the power source.

If resistance was present as described, the thermistor is working.

If resistance was not present as described, replace the control board.

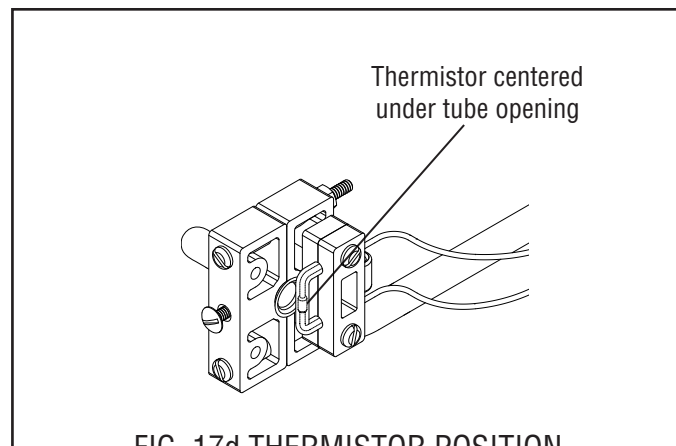


FIG. 17d THERMISTOR POSITION

## SERVICE (cont.)

### Dispense Valve (PC Only)

#### Location:

The Dispense Valve is located behind control panel.

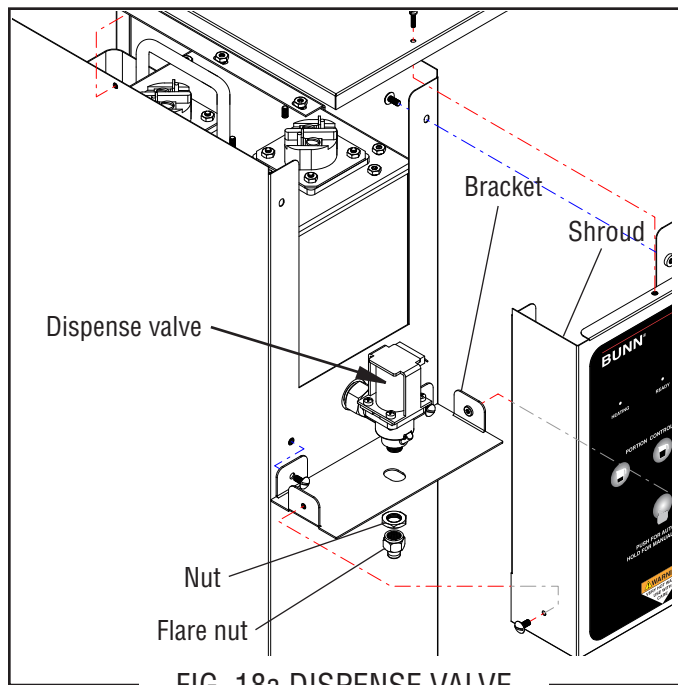


FIG. 18a DISPENSE VALVE

#### Test Procedures:

1. Check the valve for coil action. Turn on the valve with the dispense button. Listen carefully in the vicinity of the dispense valve for a click as the coil pulls the plunger in.

If no sound is heard as described, proceed to #2.

If the sound is heard as described, there may be a blockage in the valve. Disconnect the dispenser from the power source. Remove the valve and inspect for blockage, and de-lime all related areas.

2. Connect voltmeter leads to the coil terminals. Turn on the valve with the dispense button. **NOTE: Due to the internally rectified coil, the indication will be 120VAC all the time.** Set the meter to DC volts. The indication should be 170VDC when activated. If the polarity of meter leads are reversed, reading will indicate -170VDC. (Double these readings for 240 volt coils)

If voltage is present as described, but no coil action is observed, valve is defective. Replace valve and test again to verify repair.

If voltage is not present as described, refer to Wiring Diagrams and check the dispenser wiring harness. Also check the control board for proper operation.

#### Removal and Replacement:

1. Disconnect the dispenser from the power source and allow to cool.
2. Drain enough water from the tank so the water level is below the outlet.
3. Remove the nut and flare nut from the valve.
4. Remove the top cover, shroud, and bracket.
5. Disconnect wires from the valve.
6. Using a back up wrench to hold fitting in place, Remove the valve.
7. Wrap threads of fitting with Teflon tape and install new valve.
8. Install bracket, nut, flare nut, wires and covers.

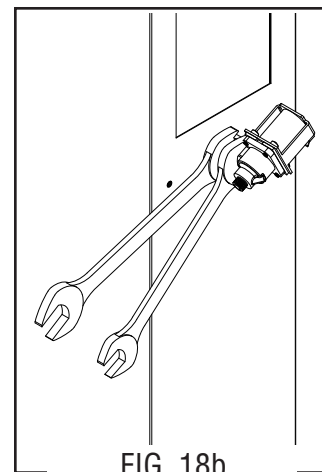


FIG. 18b  
VALVE REMOVAL

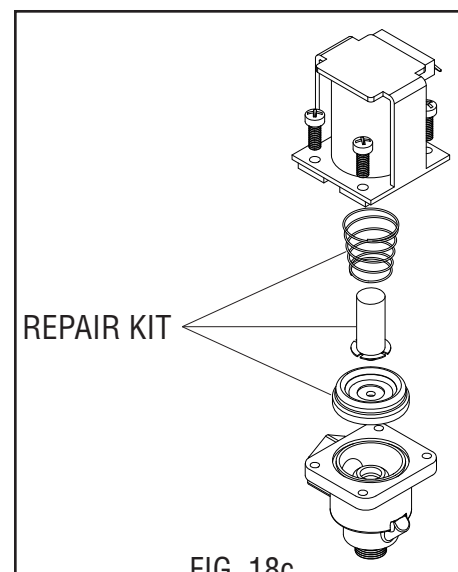
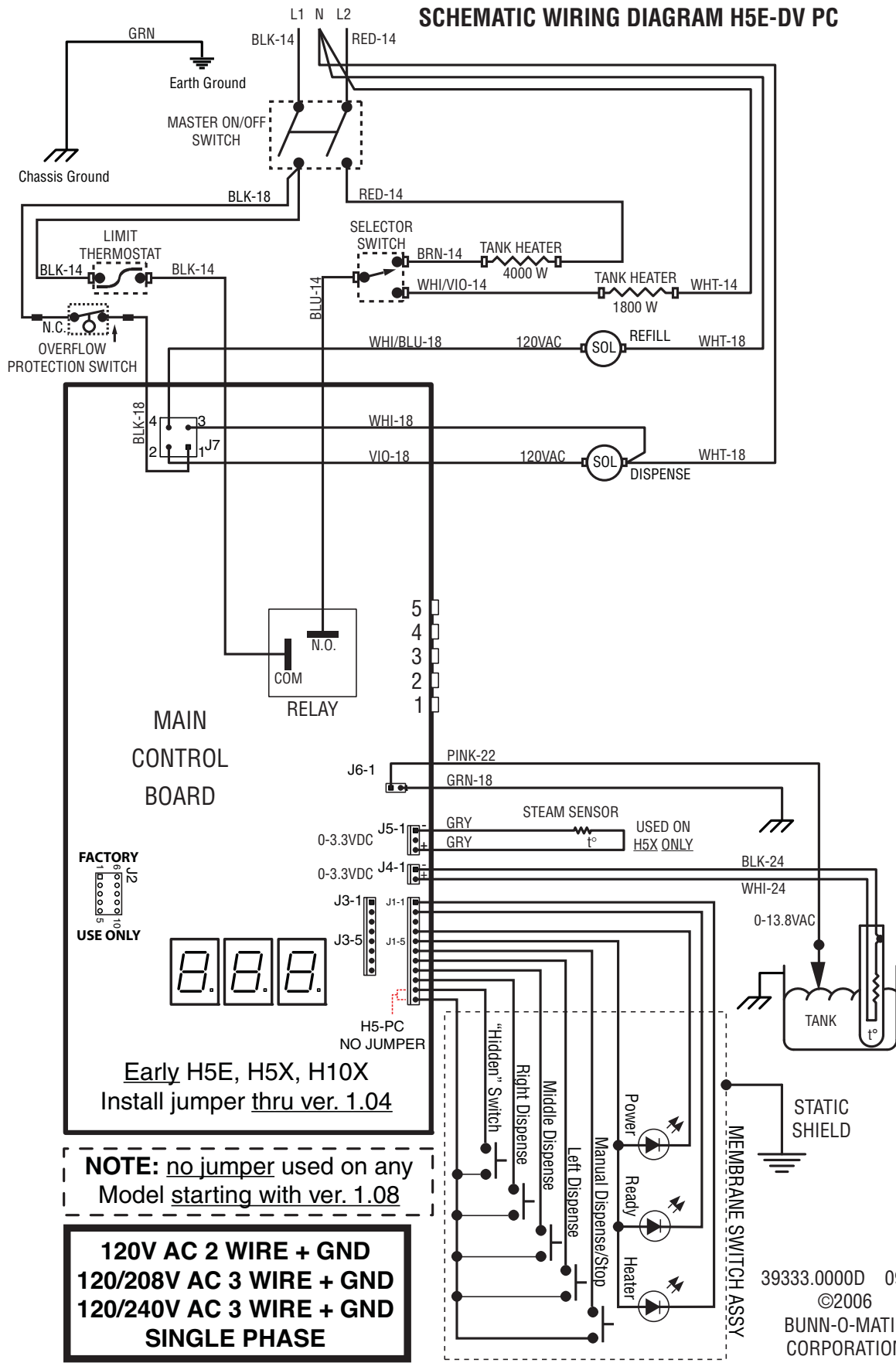


FIG. 18c  
VALVE REPAIR KIT

# SCHEMATIC WIRING DIAGRAM H5E-DV PC



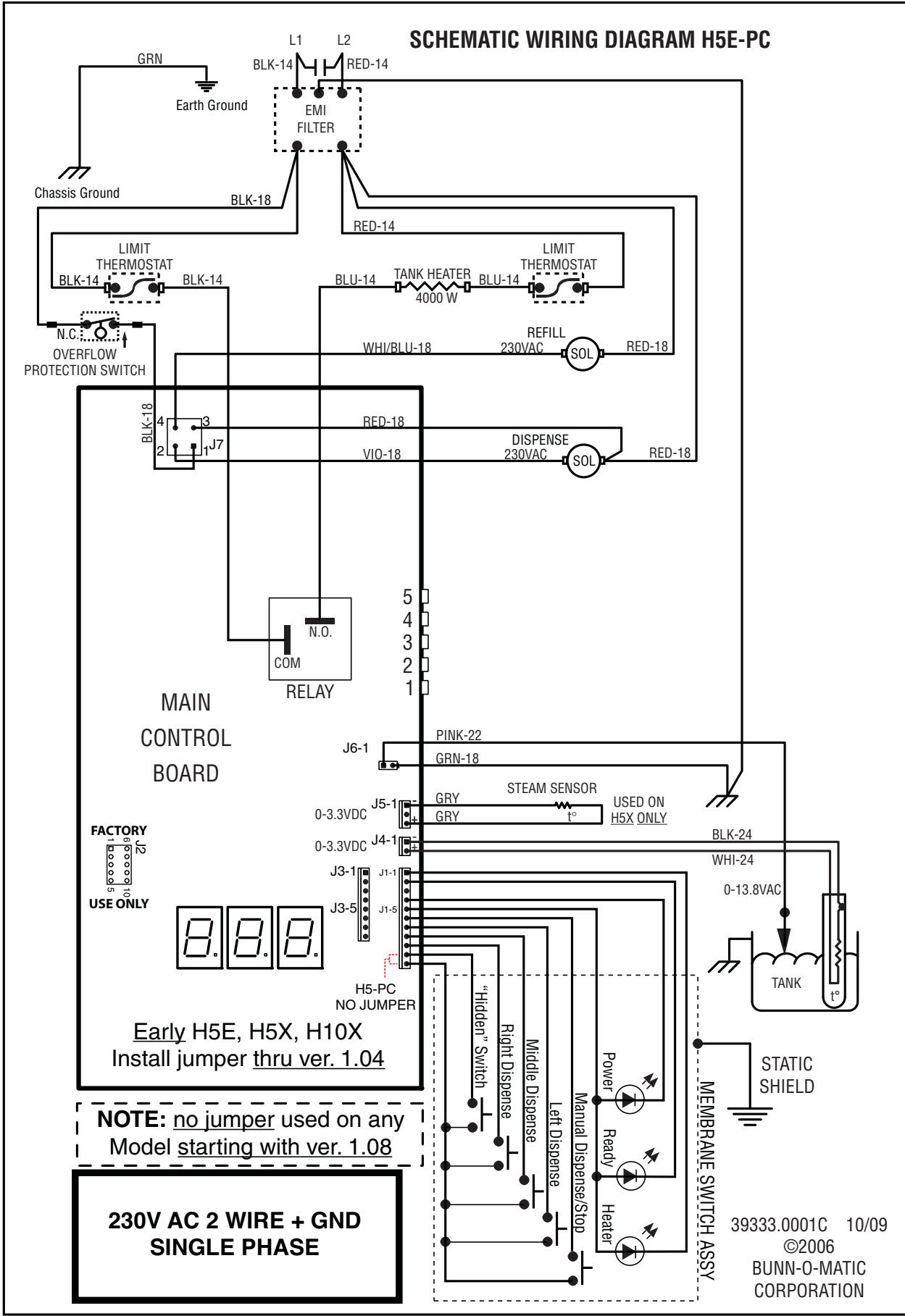
Early H5E, H5X, H10X  
Install jumper thru ver. 1.04

**NOTE:** no jumper used on any Model starting with ver. 1.08

**120V AC 2 WIRE + GND**  
**120/208V AC 3 WIRE + GND**  
**120/240V AC 3 WIRE + GND**  
**SINGLE PHASE**

39333.0000D 09/09  
©2006  
BUNN-O-MATIC CORPORATION

# SCHEMATIC WIRING DIAGRAM H5E-PC



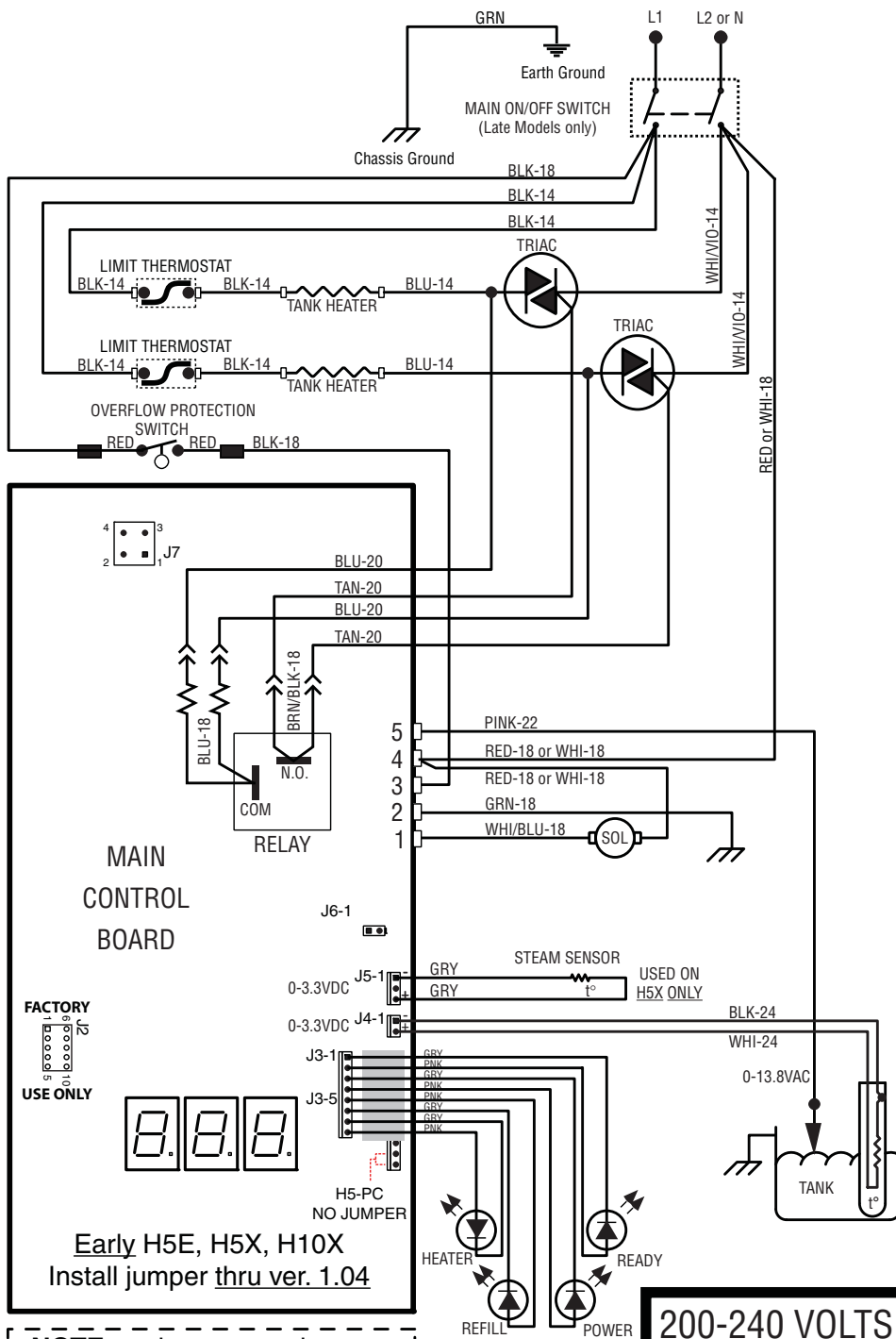
Early H5E, H5X, H10X  
Install jumper thru ver. 1.04

**NOTE:** no jumper used on any Model starting with ver. 1.08

**230V AC 2 WIRE + GND**  
**SINGLE PHASE**

39333.0001C 10/09  
©2006  
BUNN-O-MATIC CORPORATION

# SCHEMATIC WIRING DIAGRAM H10X



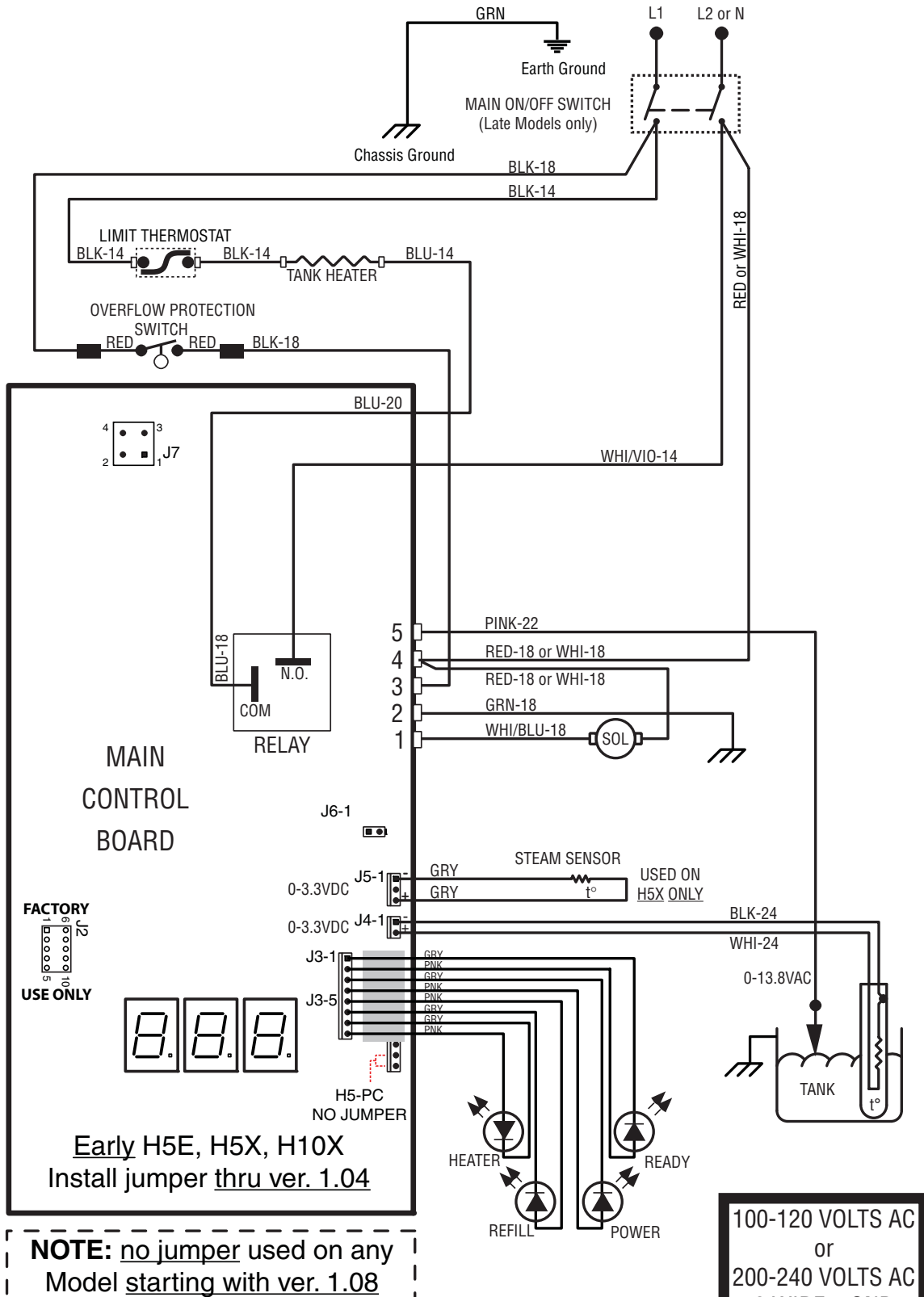
**NOTE:** no jumper used on any Model starting with ver. 1.08

Early H5E, H5X, H10X  
Install jumper thru ver. 1.04

40707.0000C 09/09 © 2008 BUNN-O-MATIC CORPORATION

**200-240 VOLTS AC  
2 WIRE + GND  
SINGLE PHASE**

# SCHEMATIC WIRING DIAGRAM H5E/H5X

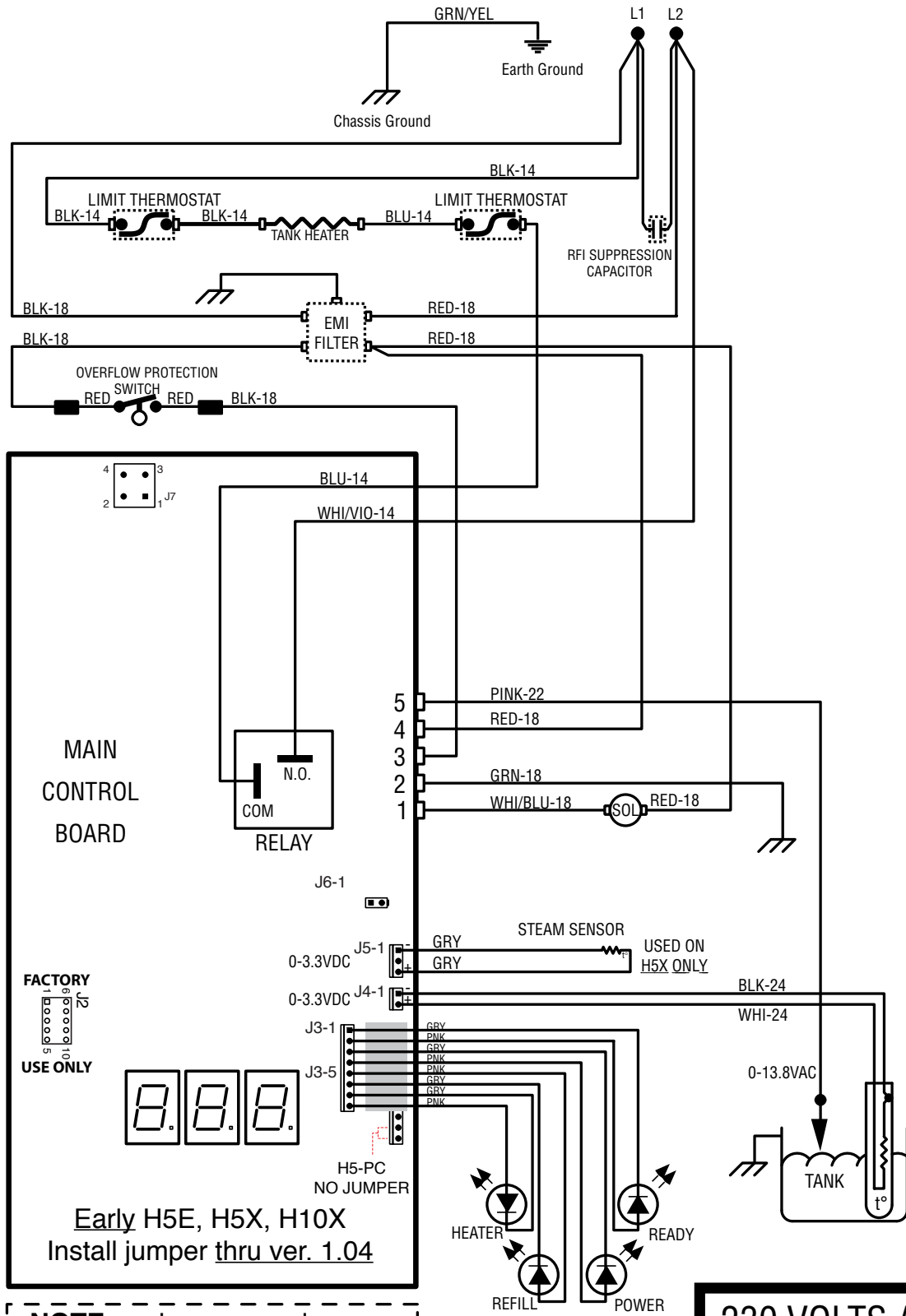


Early H5E, H5X, H10X  
Install jumper thru ver. 1.04

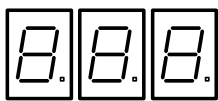
**NOTE:** no jumper used on any Model starting with ver. 1.08

100-120 VOLTS AC  
or  
200-240 VOLTS AC  
2 WIRE + GND  
SINGLE PHASE

# SCHEMATIC WIRING DIAGRAM H5XA, H5EA (CE)



FACTORY  
USE ONLY

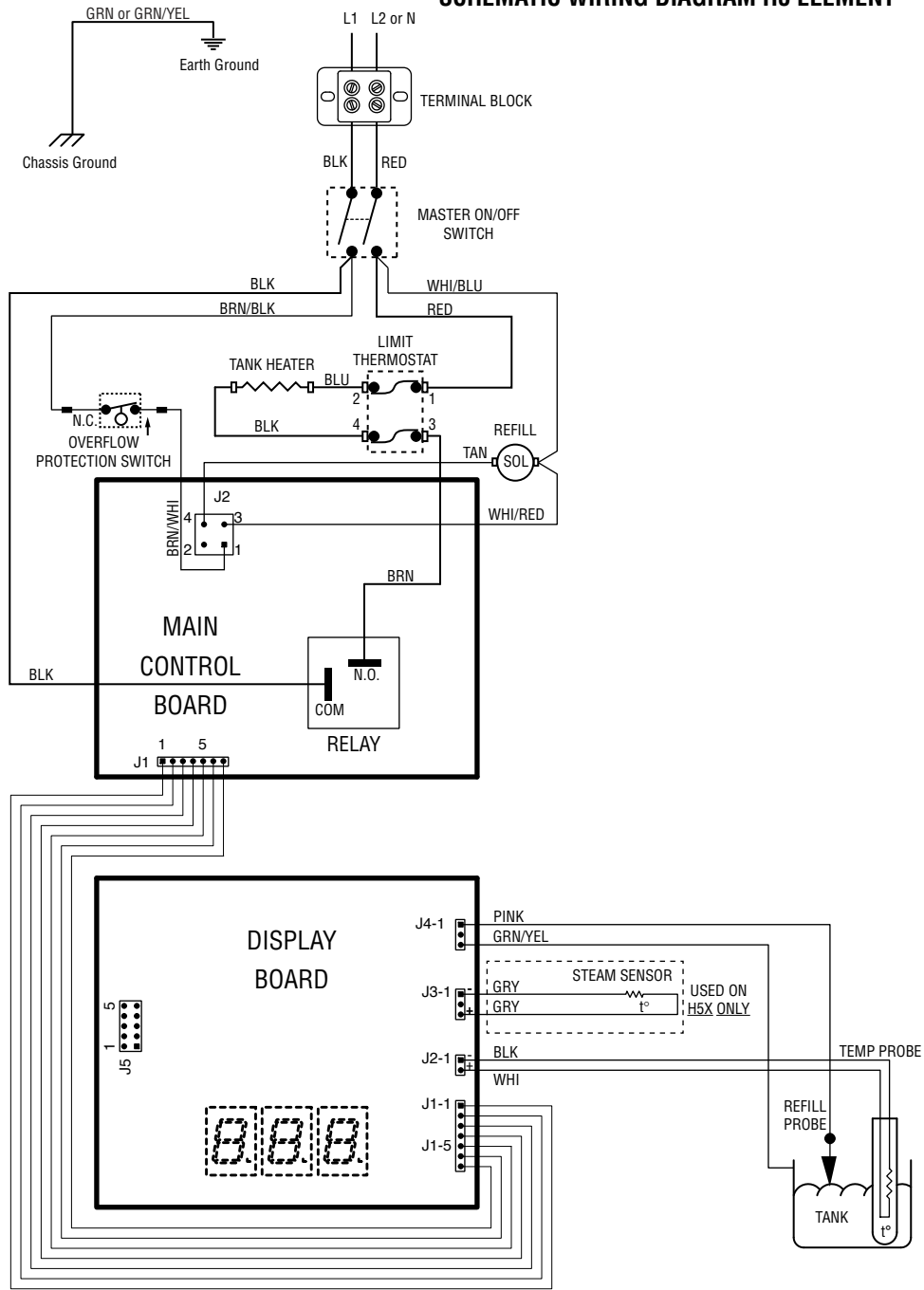


Early H5E, H5X, H10X  
Install jumper thru ver. 1.04

**NOTE:** no jumper used on any Model starting with ver. 1.08

**230 VOLTS AC  
2 WIRE + GND  
SINGLE PHASE**

# SCHEMATIC WIRING DIAGRAM H5 ELEMENT



**100-240V AC 2 WIRE + GND  
SINGLE PHASE**

44657.0000B 05/11 ©2011  
BUNN-O-MATIC CORPORATION