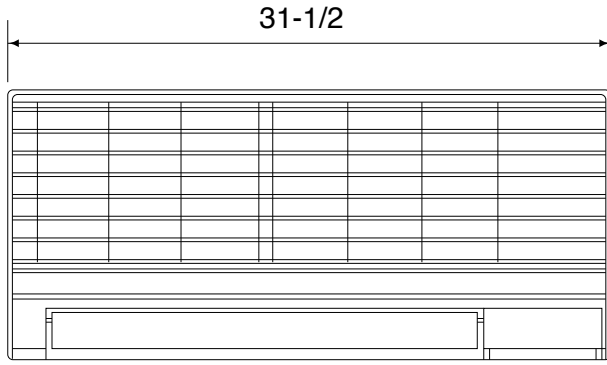
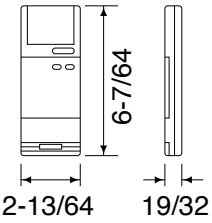


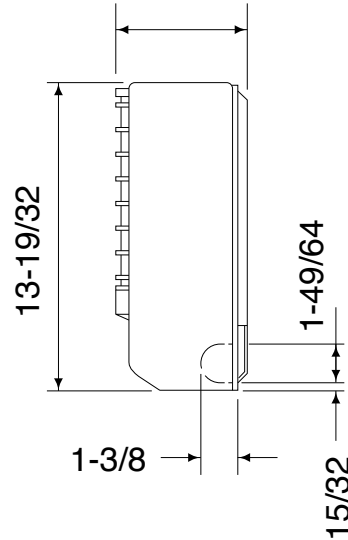
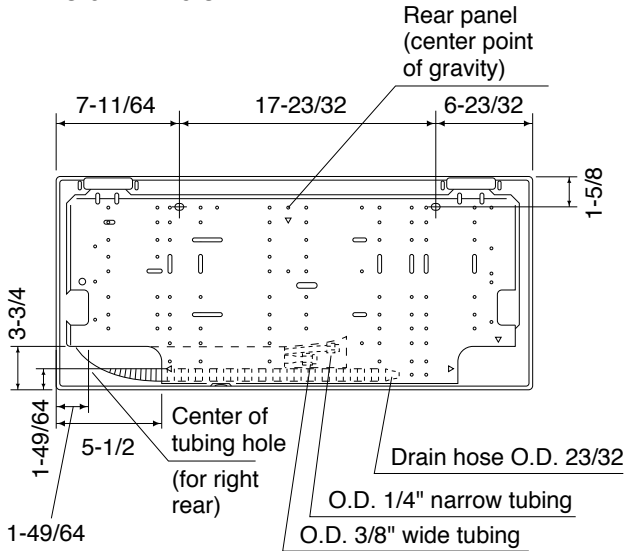
DIMENSIONAL DATA

Indoor Unit: KHS0921, KHS0922

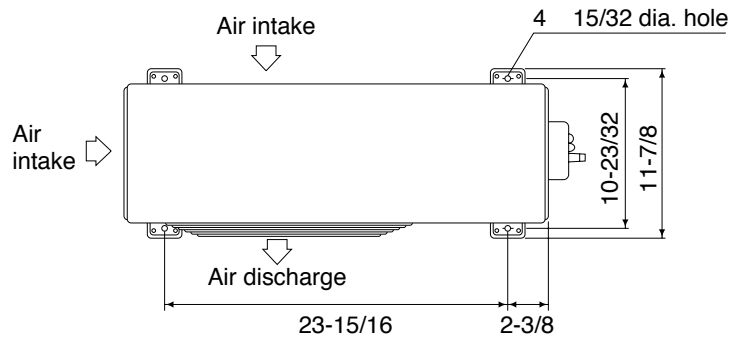
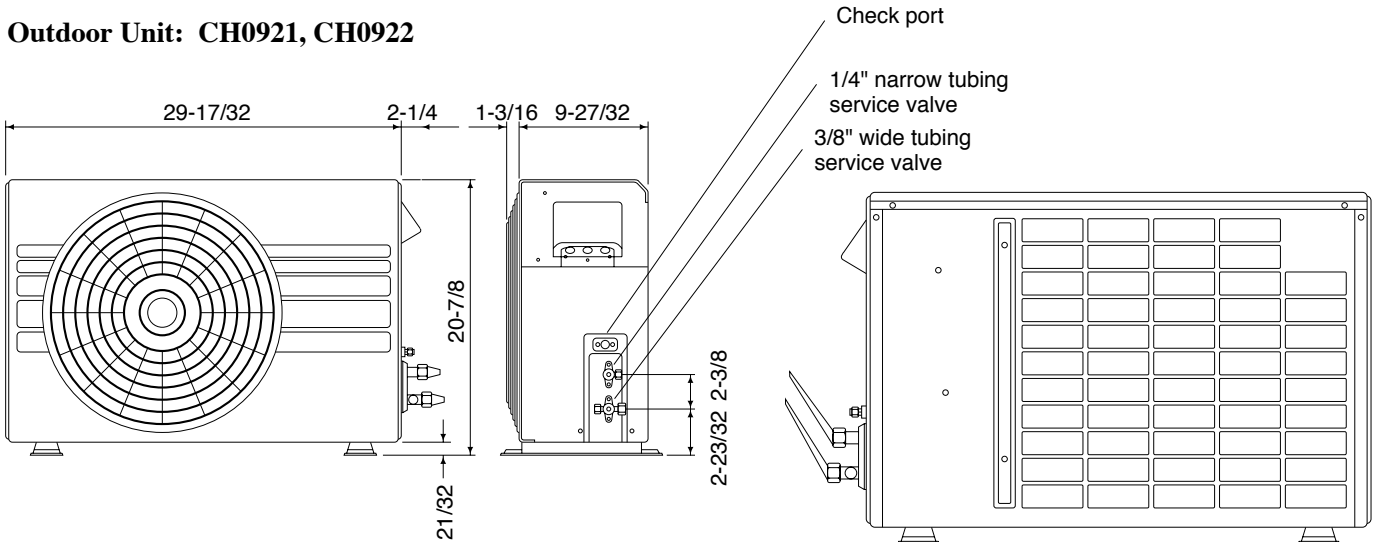
Wireless remote control unit



7-3/32



Outdoor Unit: CH0921, CH0922



WARRANTY

SANYO products are warranted against defects in materials and workmanship for the period below;

	LABOR	PARTS
Compressor	30 Days	5 Years
Other Components	N/A	1 Year

Full specific warranty rights, conditions, exclusions and obligations are specified in the warranty packed with each products.

Because of a policy of continuous product improvements, SANYO reserves the right to change specifications and design without notice.

SANYO FISHER COMPANY
 A Division of SANYO North America Corporation
 21605 Plummer St. Chatsworth, CA 91311
 Phone : (818) 998-7322
 Fax : (818) 701-4160
 Website: <http://www.sanyohvac.com>