

8 CUP PERCOLATOR



MODELS WST4018ZE

OWNER'S MANUAL



Westinghouse

IMPORTANT SAFEGUARDS

When using electrical appliances, basic safety precautions should always be followed, including the following:

1. Read all instructions.
2. Do not touch hot surfaces. Use handles or knobs.
3. To protect against electric shock, do not place cord, plugs, or appliance in water or other liquid.
4. Close supervision is necessary when any appliance is used by or near children.
5. Unplug from outlet when not in use and before cleaning. Allow to cool before putting on or taking off parts, and before cleaning the appliance.
6. Do not operate any appliance with a damaged cord or plug or after the appliance malfunctions, or has been damaged in any manner. Contact Consumer Service for examination, repair or adjustment.
7. The use of an accessory not evaluated for use with this appliance may cause injuries.
8. Do not use outdoors.
9. Do not let cord hang over edge of table or counter, or touch hot surfaces.
10. Do not place on or near a hot gas or electric burner, or in a heated oven.
11. Always attach plug to appliance first, then plug cord into the wall outlet. To disconnect, remove plug from wall outlet.
12. Do not use appliance for other than intended use.
13. Be certain Lids are securely in place before operating appliance.
14. Scalding may occur if the lid is removed during the brewing cycles.

SAVE THESE INSTRUCTIONS

For Household Use Only

ADDITIONAL IMPORTANT SAFEGUARDS

WARNING: This appliance generates heat and escaping steam during use. Use proper precautions to prevent the risk of burns, fires, or other injury to persons or damage to property.

1. All users of this appliance must read and understand this Owner's Manual before operating or cleaning this appliance.
2. The cord to this appliance should be plugged into a 120V AC electrical outlet only.
3. Use **water only** in this appliance! Do not put any other liquids or food products in this appliance. Do not mix or add anything to the water placed in this appliance, except as instructed in the User Maintenance Instructions to clean the appliance.
4. To avoid accidental scalding or burns, use extreme caution while moving this appliance when it contains hot liquid, and while pouring hot liquid from this appliance.
5. Keep appliance at least 4 inches away from walls or other objects during operation. Do not place any objects on top of appliance while it is operating. Place the appliance on a surface that is resistant to heat.
6. If this appliance begins to malfunction during use, immediately unplug the cord. Do not use or attempt to repair the malfunctioning appliance.
7. If this appliance falls or accidentally becomes immersed in water or any other liquid, unplug it immediately. **Do not reach into the water! Do not use this appliance after it has fallen into or has become immersed in water.** Contact Consumer Service for examination and repair.
8. Do not leave this appliance unattended during use.
9. The appliance must be left to cool down sufficiently before adding more water to avoid splattering.
10. Always use fresh, cool water in your appliance. Warm water or other liquids, except as listed in cleaning section, may cause damage to the appliance.
11. Do not place this appliance in a microwave oven.

POLARIZED PLUG

This appliance has a polarized plug (one blade is wider than the other). To reduce the risk of electric shock, this plug is intended to fit into a polarized outlet only one way. If the plug does not fit fully in the outlet, reverse the plug. If it still does not fit, contact a qualified electrician. Do not attempt to modify the plug in any way.

SHORT CORD INSTRUCTIONS

A detachable power-supply cord is provided to reduce the risk resulting from becoming entangled in or tripping over a longer cord.

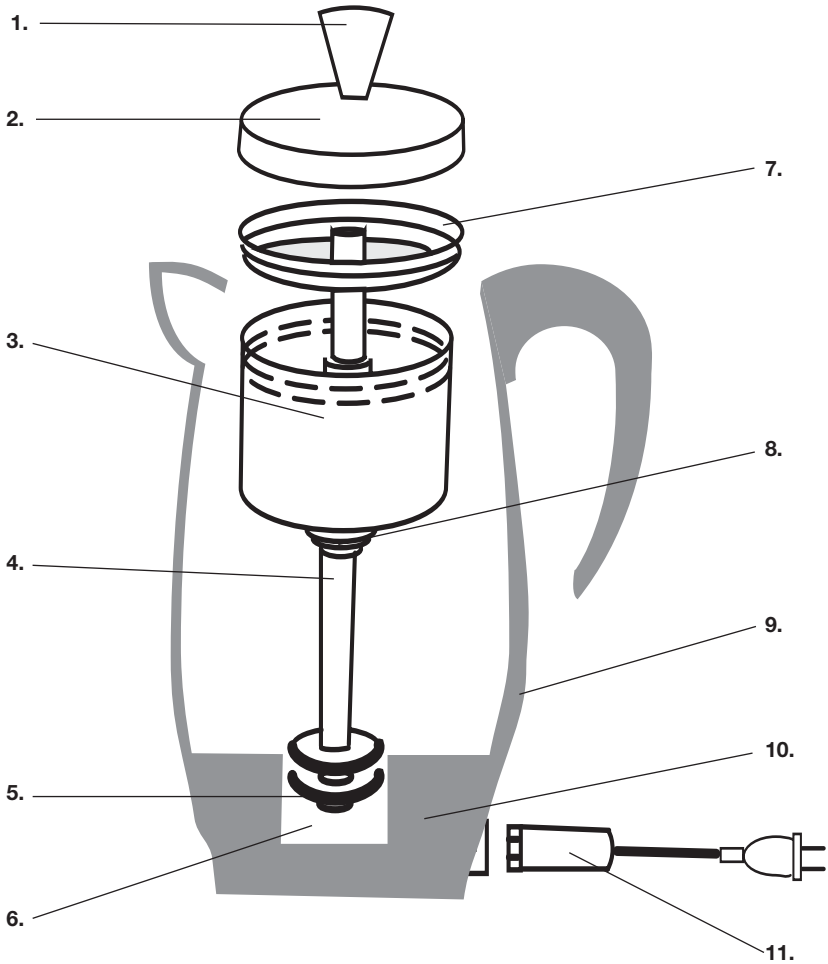
Do not use an extension cord with this product.

ELECTRIC POWER

If the electrical circuit is overloaded with other appliances, your appliance may not operate properly. It should be operated on a separate electrical circuit from other appliances.

GETTING TO KNOW YOUR WESTINGHOUSE WST4018ZE 8 CUP PERCOLATOR

PRODUCT MAY VARY SLIGHTLY FROM ILLUSTRATIONS



- 1. Black Knob (P/N 30426)
- 2. Lid (P/N 30425)
- 3. Basket (P/N 30429)
- 4. Pump Tube (P/N 30432)
- 5. Washer
- 6. Center Well

- 7. Spreader (P/N 30427)
- 8. Spring
- 9. Body
- 10. Base
- 11. Detachable Power Supply Cord (P/N 30435)

OPERATING INSTRUCTIONS

1. Wash the Percolator thoroughly before using for the first time. (See "CARE AND CLEANING" section in this manual.)
2. Remove Lid, Basket, Spreader and Pump Tube. Use cold, fresh tap water to fill Percolator. Fill according to markings on inside of Percolator for number of cups desired. Use cold tap water — the automatic brewing cycle is timed to begin with a cold water start.

NOTE: The bottom of the Pump Tube Spring marks the maximum capacity of the Percolator.

3. Wet Coffee Basket to help keep small particles of coffee from sifting through. Place Basket on Pump Tube. Add desired amount of regular or percolator grind coffee to Basket.

The following chart suggests amount of coffee for different brew strengths; amounts can be varied to suit personal taste and particular coffees.

| CUPS TO BE BREWED | STANDARD COFFEE MEASURES TO USE | | |
|-------------------------|------------------------------------|--------|--------|
| | MILD | MEDIUM | STRONG |
| 8 | 4 | 6 | 8 |
| 6 | 3 | 4 | 6 |
| 5 | 2-3/4 | 3-1/2 | 5 |
| 4 | 2-1/4 | 3 | 4 |
| 3 | 1-3/4 | 2-3/4 | 3-1/2 |
| 2 | 1-1/2 | 2 | 2-1/2 |

1 cup brewed coffee = 5 fluid ounces

1 standard coffee measure = 2 level tablespoons

4. Place Pump Tube with Basket into Percolator so bottom of tube is set into Center Well. Place Spreader on top of Basket and snap Lid onto Percolator. Attach cord to Percolator and plug into standard household 120 volt AC wall outlet. Brewing begins within seconds and continues at a cup-a-minute speed.
5. When coffee brewing is complete, percolating will stop. The Percolator automatically switches to "**KEEP WARM**" setting to preserve fresh-tasting coffee at hot, ready-to-serve temperature. For best flavor, remove Coffee Basket, Spreader and Pump Tube when brewing is completed.

REMOVE PARTS CAREFULLY: PERCOLATOR AND PARTS WILL BE HOT!

USER MAINTENANCE INSTRUCTIONS

This appliance requires little maintenance. It contains no user serviceable parts. Do not try to repair it yourself. Any servicing requiring disassembly other than cleaning, must be performed by a qualified appliance repair technician.

CARE AND CLEANING

1. **After Each Use:** Always make sure plug is first removed from wall outlet, then remove cord from Percolator. Let Percolator cool. Remove Coffee Basket, Spreader and Pump Tube carefully — grounds and remaining coffee may still be warm.

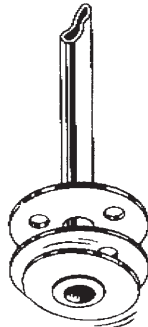
NEVER IMMERSE BASE OF PERCOLATOR IN WATER.

2. Wash Percolator with water and detergent. The Lid, Basket, Spreader, and Pump Tube (with spring) may be placed in the dishwasher.

NEVER WASH PERCOLATOR BODY IN DISHWASHER.

3. Rinse all parts thoroughly and dry. Store with Lid off.

NOTE: Make sure the Washer at bottom of Pump Tube remains loose. If coffee grounds lodge in this area, remove under running water or with a wooden pick.



Washer

Washer must remain loose — remove coffee grounds if caught.

After Repeated Use: Remove accumulation of oil and coffee stains that may cause a bitter taste with commercially available coffee maker cleaners. Follow package directions, filling with water to 1-1/2 inches from top. Be sure to rinse well.

LIMITED ONE-YEAR WARRANTY

Warranty Coverage: This product is warranted to be free from defects in materials or workmanship for a period of one (1) year from the original purchase date. This product warranty is extended only to the original consumer purchaser of the product and is not transferable. For a period of one (1) year from the date of original purchase of the product, our Repair Center will, at its option, either (1) repair the product or (2) replace the product with a reconditioned comparable model. These remedies are the purchaser's exclusive remedies under this warranty.

Warranty Service: To obtain warranty service, you must call our warranty service number at 1-800-233-9054 for return instructions on how to deliver the product, in either the original packaging or packaging affording an equal degree of protection to the Repair Center specified below. You must enclose a copy of your sales receipt or other proof of purchase to demonstrate eligibility for warranty coverage.

To return the appliance, ship to: **To contact us**, please write to, call, or email:

ATTN: Repair Center
708 South Missouri Street
Macon, MO 63552 USA

Consumer Relations Department
PO Box 7366
Columbia MO 65205-7366 USA
1-800-233-9054
E-mail:consumer_relations@toastmaster.com


What Is Not Covered: This warranty does not cover damage resulting from misuse, accident, commercial use, improper service or any other damage caused by anything other than defects in material or workmanship during ordinary consumer use. This warranty is invalid if the serial number has been altered or removed from the product. This warranty is valid only in the United States and Canada.

LIMITATION ON DAMAGES: THERE SHALL BE NO LIABILITY FOR ANY INCIDENTAL OR CONSEQUENTIAL DAMAGES FOR BREACH OF ANY EXPRESS OR IMPLIED WARRANTY OR CONDITION ON THIS PRODUCT.

DURATION OF IMPLIED WARRANTIES: EXCEPT TO THE EXTENT PROHIBITED BY APPLICABLE LAW, ALL IMPLIED WARRANTIES AND CONDITIONS, INCLUDING, WITHOUT LIMITATION, IMPLIED WARRANTIES AND CONDITIONS OF MERCHANTABILITY AND FITNESS FOR A PARTICULAR PURPOSE OR USE ON THIS PRODUCT ARE LIMITED IN DURATION TO THE DURATION OF THIS WARRANTY.

Some jurisdictions do not allow the exclusion or limitation of incidental or consequential damages, or allow limitations on how long an implied warranty lasts, so the above limitations or exclusions may not apply to you. This warranty gives you specific legal rights and you may have other rights under the laws of your jurisdiction.

For more information on our products, visit our website:
www.maxim-toastmaster.com.

WESTINGHOUSE,  and "You Can Be Sure...If It's Westinghouse" are trademarks of WESTINGHOUSE ELECTRIC CORPORATION and used under license.