



Fast Brew™

12 CUP COFFEE MAKER



Models MEFB6B, MEFB6W, MEFB6BCAN, MEFB6WCAN

IMPORTANT SAFEGUARDS

When using electrical appliances, basic safety precautions should always be followed to reduce the risk of fire, electric shock, and/or injury to persons, including the following:

1. Read all instructions.
2. Do not touch hot surfaces. Use handles or knobs.
3. To protect against fire, electric shock, and injury to persons, do not immerse cord, plug, or Coffee Maker in water or other liquid.
4. Close supervision is necessary when any appliance is used by or near children.
5. Unplug from outlet when not in use and before cleaning. Allow to cool before putting on or taking off parts, and before cleaning the appliance.
6. Do not operate any appliance with a damaged cord or plug, or after the appliance malfunctions, or has been damaged in any manner. Contact Consumer Service for examination, repair or adjustment.
7. The use of accessory attachments not recommended by the appliance manufacturer may result in fire, electric shock, or injury to persons.
8. Do not use outdoors.
9. Do not let cord hang over edge of table or counter, or touch hot surfaces.
10. Do not place on or near a hot gas or electric burner, or in a heated oven.
11. To disconnect, press the ON/OFF Button to turn the unit OFF, then remove plug from wall outlet.
12. Do not use appliance for other than intended use.
13. Be certain Lids are securely in place before operating appliance.
14. Scalding may occur if the Lid is removed during the brewing cycles.
15. This Carafe is designed for use with this Coffee Maker. It must never be used on a range top.
16. Do not set a hot Carafe on a wet or cold surface.
17. Do not use a cracked Carafe or a Carafe having a loose or weakened handle.
18. Do not clean Carafe with cleansers, steel wool pads, or other abrasive material.

SAVE THESE INSTRUCTIONS

For Household Use Only

ADDITIONAL IMPORTANT SAFEGUARDS

WARNING: This appliance generates heat and escaping steam during use. Proper precautions must be taken to prevent the risk of burns, fires, or other injury to persons or damage to property.

1. All users of this appliance must read and understand these Use & Care instructions before operating or cleaning this appliance.
2. The cord to this appliance should be plugged into a 120V AC electrical outlet only.
3. Use water only in this appliance! Do not put any other liquids or food products in this appliance. Do not mix or add anything to the water placed in this appliance, except as instructed in the USER MAINTENANCE INSTRUCTIONS to clean the appliance.
4. DO NOT attempt to move an appliance containing hot liquids. Allow appliance to cool completely before moving.
5. Keep appliance at least 4 inches away from walls or other objects during operation. Do not place any objects on top of appliance while it is operating. Place the appliance on a surface that is resistant to heat.
6. If this appliance begins to malfunction during use, press the ON/OFF Button to turn the unit OFF, then immediately unplug the cord. Do not use or attempt to repair the malfunctioning appliance.
7. If this appliance falls or accidentally becomes immersed in water or any other liquid, unplug it immediately. Do not reach into the water! Do not use this appliance after it has fallen into or has become immersed in water. Contact Consumer Service for examination and repair.
8. Do not leave this appliance unattended during use.
9. DO NOT put Carafe into a microwave.
10. DO NOT leave empty Carafe on Warming Plate when appliance is turned ON, as the Carafe may crack or become otherwise damaged.

CAUTION: To prevent injury when utilizing Auto Pause and Pour, replace Carafe within 30 seconds of removing during brewing process.

Polarized Plug

This appliance has a polarized plug (one blade is wider than the other). To reduce the risk of electric shock, this plug is intended to fit into a polarized outlet only one way. If the plug does not fit fully in the outlet, reverse the plug. If it still does not fit, contact a qualified electrician. Do not attempt to modify the plug in any way.

Short Cord Instructions

A short power-supply cord is provided to reduce the risk resulting from becoming entangled in or tripping over a longer cord.

Do not use an extension cord with this product.

Plasticizer Warning

CAUTION: To prevent Plasticizers from migrating from the finish of the counter top or table top or other furniture, place NON-PLASTIC coasters or place mats between the appliance and the finish of the counter top or table top.

Failure to do so may cause the finish to darken. Permanent blemishes may occur or stains can appear.

Electric Power

If the electrical circuit is overloaded with other appliances, your appliance may not operate properly. It should be operated on a separate electrical circuit from other appliances.

Coffee Yield

12 Cup Coffee Maker: 12 (5-oz.) cups.

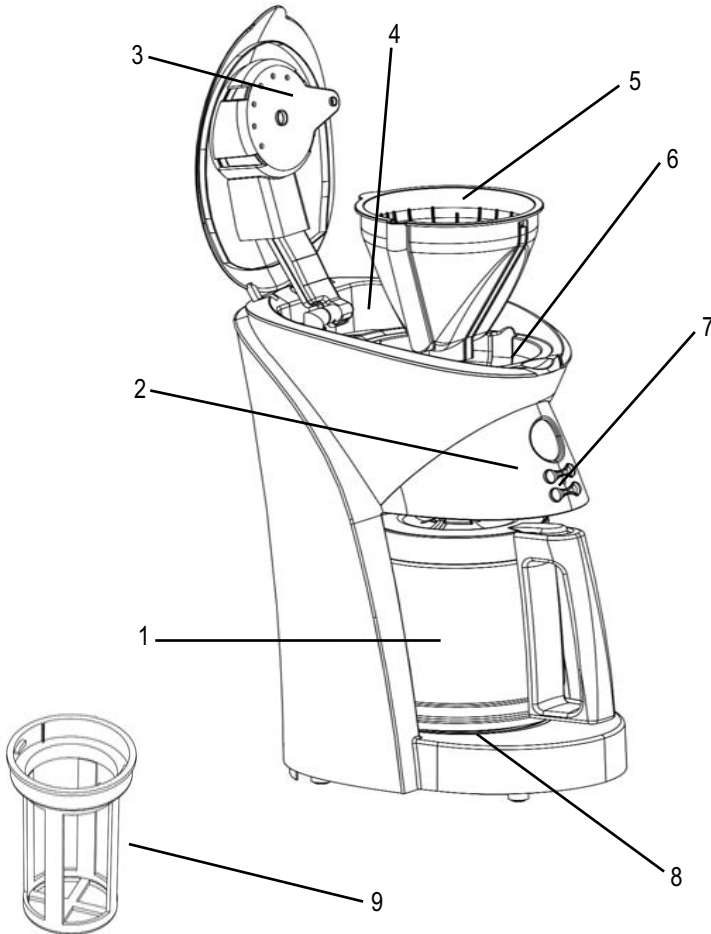
NOTE: A 5-oz. cup is the American industry standard and is used by most Coffee Maker manufacturers. To fill your favorite mug, fill Coffee Maker reservoir with enough water for 4 cups (20 ounces).

WARNING

TO REDUCE THE RISK OF FIRE OR ELECTRIC SHOCK, DO NOT REMOVE THE BOTTOM COVER. NO USER-SERVICEABLE PARTS INSIDE. REPAIR SHOULD BE DONE BY AUTHORIZED SERVICE PERSONNEL ONLY.

Getting To Know Your 12 Cup Coffee Maker

Product may vary slightly from illustrations.



1. Glass Carafe with Lid

Black P/N 31455B

White P/N 31455W

2. Control Panel

3. Shower Head

4. Water Chamber

5. Removable Filter Holder

Black P/N 31456B

White P/N 31456W

6. Filter Holder Cavity

7. Indicator Light

8. Warming Plate

9. Tea Infusion Basket

Black P/N 31457B

White P/N 31457W

Before Brewing for the First Time

CAUTION: To protect against electric shock, do not immerse the Coffee Maker or allow AC cord to come into contact with water or other liquids.

1. After carefully unpacking from carton, the inside of your Coffee Maker and Glass Carafe must be cleaned. Remove any labels from the outer surfaces.
2. Brew 12 (5-oz.) cups of fresh water only. Follow the OPERATING INSTRUCTIONS, but do not add coffee grounds or paper filter to the Removable Filter Holder.
3. When all the water has brewed into the Carafe, press the AUTO ON/OFF Button so the unit is turned OFF.
4. Allow the Coffee Maker to cool for 15 minutes, discard the water from the Carafe, then repeat steps 2 and 3.
5. After the second pot of water has cooled, discard the water and thoroughly wash the Removable Filter Holder, Glass Carafe and Carafe Lid in warm, soapy water. Dry all parts thoroughly.

Coffee Filters

Cone-shaped paper filters are available locally at grocery stores and where coffee makers are sold.

We recommend using Melitta #4 cone-shaped filters.

The use of basket-style paper filters is not recommended, since they do not conform to the shape of the Removable Filter Holder and may cause coffee to back up and spill over during brewing.

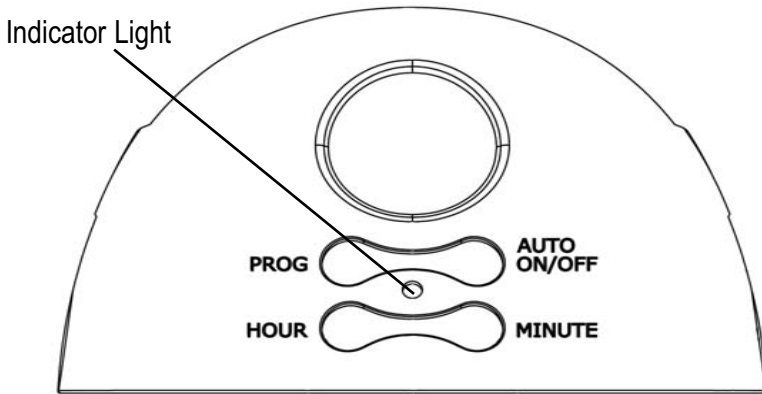


FIGURE 1:
Control Panel

Setting the Clock

1. Plug the Coffee Maker into a 120V ~ 60 HZ outlet. Display will show 12:00 and will continue to flash until the time is set.
2. Press the HOUR Button until the hour hand is in the correct position. During the setting, AM/PM on the display will change automatically.
3. Press the MINUTE Button until the minute hand is in the correct position. The clock should now display the current time of day and the second hand should be moving.

OPERATING INSTRUCTIONS

Brewing Coffee - Immediate Start

NOTE: When brewing coffee, the Tea Infusion Basket is not needed. To remove the Tea Infusion Basket, prop the Carafe Lid open with one hand and with the other hold the rim of the Tea Infusion Basket. The tab on the outer rim of the Tea Infusion Basket will be aligned with the ^{CLOSE} ● position located on the bottom side of the Carafe Lid. Turn the Tea Infusion Basket counter-clockwise until the tab aligns with the ^{OPEN} ● position located on the bottom of the Carafe Lid. Remove the Tea Infusion Basket and close the Carafe Lid.

1. Plug the appliance into a standard 120V AC electrical outlet.
2. Markings on the Carafe indicate the level of water required to brew the desired number of cups. Fill the Carafe with cold tap water. Close the Lid back into position.

NOTE: Brewing less than 4 cups is not recommended.

3. Lift up the hinged lid on the top of the unit and slowly pour water into the Water Chamber.
4. Grasp the Removable Filter Holder and lift straight up and out of the Filter Cavity. Insert a #4 paper coffee filter inside the Removable Filter Holder.

We recommend using Melitta #4 cone-shaped filters.

5. Place coffee grounds in the filter, using one level tablespoon of drip grind coffee for each cup of brewed coffee.
6. Replace the Removable Filter Holder by pushing it down into the Filter Holder Cavity. When properly seated, the tab on the Filter Holder will be positioned on the front of the Holder Cavity.
7. Set the Brew Strength Control to the desired strength.
8. Place the Carafe onto the Warming Plate. Make sure the Carafe is positioned correctly on the Warming Plate under the Auto Pause and Pour Assembly.
9. Press the AUTO ON/OFF Button once. The Indicator Light will turn on and the brew cycle will begin.

10. If you wish to serve a cup of coffee before brew cycle is complete, simply remove Carafe from Warming Plate. Dripping will automatically cease. Return Carafe to position on Warming Plate within 30 seconds; dripping will resume. If the Carafe is not returned to the Warming Plate, the coffee may overflow from the Filter Holder.
11. When brewing is completed, the Coffee Maker switches to a Keep Warm mode which will hold coffee at the proper serving temperature. To keep the coffee hot, place the Carafe back on the Warming Plate when not serving.
12. Press the AUTO ON/OFF Button again to turn the unit OFF when not in use. When the brewing cycle is over, the Coffee Maker will automatically shut off after two hours. The Indicator Light will turn off.
13. Allow the unit to cool for 10 minutes between cycles.

WARNING: Warming Plate is hot! Do not touch bottom of Carafe or Warming Plate during or after brewing.

NOTE: The amount of coffee in the Carafe may be slightly less than the amount of water placed in the Water Chamber, since some of the water is absorbed by the coffee grounds.

Brewing Coffee - Programming Delay Timer

1. Follow steps 1 – 8 in BREWING COFFEE – IMMEDIATE START.
2. Be sure clock is set to the current time (see SETTING THE CLOCK instructions on Page 6).
3. Press the PROG Button once and release. The Indicator Light will flash and the time will show 12 : 00.
4. Set the desired program start time by using the HOUR and MIN Buttons as previously described in SETTING THE CLOCK.
5. During the setting, AM/PM on the display will change automatically.
6. Press the PROG Button again to complete the programmed start time setting.
7. After setting, press the AUTO ON/OFF Button once to activate the programmable function. The Indicator Light will flash to signify the timer is set.

NOTE: When using the Immediate Start mode after a Programmed cycle has been used, without unplugging the unit in-between, it may be necessary to press the AUTO ON/OFF Button two times. The first time the Indicator Light will flash; the second time the Light will turn solid and brewing will begin.

8. If you wish to serve a cup of coffee during the brew cycle, simply remove Carafe from Warming Plate. Dripping will automatically cease. Return Carafe to position on Warming Plate within 30 seconds; dripping will resume. If the Carafe is not returned to the Warming Plate, the coffee may overflow from the Filter Holder.
9. When brewing is completed, the Coffee Maker switches to a Keep Warm mode which will hold coffee at the proper serving temperature. To keep the coffee hot, place the Carafe back on the Warming Plate when not serving.
10. Press the AUTO ON/OFF Button again to turn the unit OFF when not in use. When the brewing cycle is over, the Coffee Maker will automatically shut off after two hours. The Indicator Light will turn off.
11. Allow the unit to cool for 10 minutes between cycles.

WARNING: Warming Plate is hot! Do not touch bottom of Carafe or Warming Plate during or after brewing.

NOTE: The amount of coffee in the Carafe may be slightly less than the amount of water placed in the Water Chamber, since some of the water is absorbed by the coffee grounds.

NOTE: The programmable function must be reset after each programmed use.

Brewing Tea - Immediate Start

1. Plug the appliance into a standard 120V AC electrical outlet.
2. Fill the Carafe with cold tap water to the 11 cup marking. Close the Lid back into position.

NOTE: 11 cups is the maximum for brewing tea otherwise the Carafe will overflow.

NOTE: We do not recommend brewing less than 11 cups of tea.

3. Lift up the hinged lid on the top of the unit and slowly pour water into the Water Chamber.
4. Make sure there is no paper coffee filter inside the Removable Filter Holder. This is not needed for the tea cycle, but the Filter Holder must be in its proper place. When properly seated, the tab on the Filter Holder will be positioned on the front of the Holder Cavity. Close the lid back into position.
5. Set the Brew Strength Control to the desired strength.
6. With the Tea Infusion Basket you have the choice to use either Loose Leaf Tea or Tea Bags.

We recommend using the following quantities, based on brewing 11 cups:

Loose Leaf Tea	8 teaspoons
Tea Bags	8 bags

NOTE: Chart may be altered depending on individual taste preferences and the type of tea being brewed.

NOTE: If using tea bags, it is necessary to remove any strings attached.

- To remove the Tea Infusion Basket, prop the Carafe Lid open with one hand and with the other hold the rim of the Tea Infusion Basket. The tab on the outer rim of the Tea Infusion Basket will be aligned with the **CLOSE** position located on the bottom side of the Carafe Lid. Turn the Tea Infusion Basket counter-clockwise until the tab aligns with the **OPEN** position located on the bottom of the Carafe Lid. Remove the Tea Infusion Basket and close the Carafe Lid.



FIGURE 2:

- Place tea bags or loose leaf tea into the Tea Infusion Basket Assembly. Be sure that no bags are outside of the basket opening and if using tea bags, all strings have been removed.
- Assembly of the Tea Infusion Basket to the Carafe is basically the reverse of Step 7. Place the Tea Infusion Basket on the bottom side of the Carafe Lid aligning the tab on the outer rim of the Basket with the **OPEN** position, located on the bottom of the Carafe Lid. Hold the Tea Infusion Basket and turn clockwise until the tab aligns with the **CLOSE** position and locks into place. Close the Carafe Lid.
- Place the Carafe onto the Warming Plate. Make sure the Carafe is positioned correctly on the Warming Plate under the Auto Pause and Pour Assembly.
- Press the AUTO ON/OFF Button once. The Indicator Light will turn on and the brew cycle will begin.
- If you wish to serve a cup of tea before the brew cycle is complete, simply remove Carafe from Warming Plate. Dripping will automatically cease. Return Carafe to position on Warming Plate within 30 seconds; dripping will resume. If the Carafe is not returned to the Warming Plate, the hot water may overflow from the Filter Holder.
- When brewing is completed, the appliance switches to a Keep Warm mode which will hold tea at the proper serving temperature. To keep the tea hot, place the Carafe back on the Warming Plate when not serving.

NOTE: Depending on individual taste preferences and the type of tea being brewed, you may prefer to let the tea steep longer before removing the Tea Infusion Basket.

CAUTION: Carafe, Lid, and Tea Infusion Basket are hot after brewing! Use extreme care when handling these parts.

14. Press the AUTO ON/OFF Button again to turn the unit OFF when not in use. When the brewing cycle is over, the appliance will automatically shut off after two hours. The Indicator Light will turn off.
15. Allow the unit to cool for 10 minutes between cycles.

WARNING: Warming Plate is hot! Do not touch bottom of Carafe or Warming Plate during or after brewing.

NOTE: The amount of tea in the Carafe may be slightly less than the amount of water placed in the Water Chamber, since some of the water is absorbed by the loose leaf tea or tea bags.

Brewing Tea - Programming Delay Timer

1. Follow steps 1 – 10 in BREWING TEA – IMMEDIATE START.
2. Be sure clock is set to the current time (see SETTING THE CLOCK instructions on Page 6).
3. Press the PROG Button once and release. The Indicator Light will flash and the time will show 12 : 00.
4. Set the desired program start time by using the HOUR and MIN Buttons as previously described in SETTING THE CLOCK.
5. During the setting, AM/PM on the display will change automatically.
6. Press the PROG Button again to complete the programmed start time setting.
7. After setting, press the AUTO ON/OFF Button once to activate the programmable function. The Indicator Light will flash to signify the timer is set.

NOTE: When using the Immediate Start mode after a Programmed cycle has been used, without unplugging the unit in-between, it may be necessary to press the AUTO ON/OFF Button two times. The first time the Indicator Light will flash; the second time the Light will turn solid and brewing will begin.

8. If you wish to serve a cup of tea before the brew cycle is complete, simply remove Carafe from Warming Plate. Dripping will automatically cease. Return Carafe to position on Warming Plate within 30 seconds; dripping will resume. If the Carafe is not returned to the Warming Plate, the hot water may overflow from the Filter Holder.
9. When brewing is completed, the appliance switches to a Keep Warm mode which will hold the tea at the proper serving temperature. To keep the tea hot, place the Carafe back on the Warming Plate when not serving.

NOTE: Depending on individual taste preferences and the type of tea being brewed, you may prefer to let the tea steep longer before removing the Tea Infusion Basket and serving.

CAUTION: Carafe, Lid, and Tea Infusion Basket are hot after brewing! Use extreme care when handling these parts.

10. Press the AUTO ON/OFF Button again to turn the unit OFF when not in use. When the brewing cycle is over, the appliance will automatically shut off after two hours. The Indicator Light will turn off.
11. Allow the unit to cool for 10 minutes between cycles.

WARNING: Warming Plate is hot! Do not touch bottom of Carafe or Warming Plate during or after brewing.

NOTE: The amount of tea in the Carafe may be slightly less than the amount of water placed in the Water Chamber, since some of the water is absorbed by the loose leaf tea or tea bags.

NOTE: The programmable function must be reset after each programmed use.

Auto Pause and Pour Feature

The Auto Pause and Pour feature allows you to pour a cup of coffee or tea before brewing is complete. Simply remove the Carafe from the Warming Plate. Always keep the Lid on the Carafe down when pouring the coffee.

IMPORTANT: When using the Auto Pause and Pour feature while the Coffee Maker is still brewing, the Carafe must be replaced on the Warming Plate, under the Filter Holder Cavity within 30 seconds to prevent the Filter Holder from overflowing.

Replacing the Carafe will restart the brewing process.

Brew Strength Feature

Use the Brew Strength feature to control the desired strength of your coffee or tea. This feature regulates the flow of water to either slow down or speed up the brewing process depending on the strength you desire. Simply adjust the Brew Strength Control on the top of the lid before starting each brew cycle to achieve desired strength.

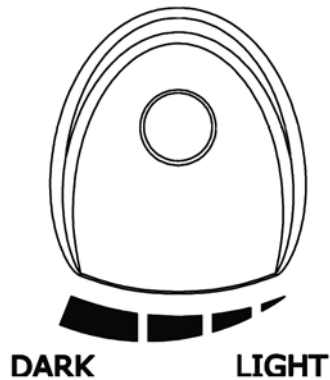


FIGURE 3:
Brew Strength Control

To Brew a Second Pot of Coffee or Tea

To brew a second pot of coffee or tea, turn the appliance OFF for 10 minutes and allow it to cool. Empty used coffee grounds or loose leaf tea / tea bags and repeat steps for brewing.

CAUTION: Failure to allow appliance to cool completely may cause water to overheat and spray hot steam. The hot steam can cause severe burns.

Hints For Best Results

- We recommend using coffee which has been ground specifically for automatic drip coffee makers. This type of coffee is prepared specifically for your Coffee Maker's brewing system and promotes fuller extraction to provide rich, full-bodied coffee.
- Use only cone-shaped filters with this Coffee Maker. Cone-shaped paper filters are available locally at grocery stores. Use standard, #4 filters. Do not use basket-style paper filters.

We recommend using Melitta #4 cone-shaped filters.

- A clean Coffee Maker is essential for making great tasting coffee. Regular cleaning, as specified in the USER MAINTENANCE INSTRUCTIONS, is highly recommended.
- Always use fresh, cold water in your Coffee Maker.
- Store coffee in a cool, dry place. Once coffee has been opened, keep it tightly sealed in the refrigerator to maintain freshness.
- For optimum coffee, buy whole beans and grind them finely just before brewing.
- Do not re-use coffee grounds since this will greatly impair coffee flavor.
- Reheating coffee is not recommended. Coffee is at its peak flavor immediately after brewing.
- If using the Fast Brew for both coffee and tea, it is recommended to thoroughly clean the Carafe, Lid, and Removable Filter Holder in warm soapy water. Wipe the Showerhead, located at the underneath side of the appliance's lid, with a clean, damp cloth.

User Maintenance Instructions

This appliance requires little maintenance. It contains no user serviceable parts. Do not try to repair it yourself. Any servicing that requires disassembly must be performed by a qualified appliance repair technician.

Cleaning Instructions

NOTE: Do not place anything other than water or the vinegar cleaning solution specified in this manual into the Water Chamber.

1. To clean your Coffee Maker after brewing, be sure the Coffee Maker is turned OFF, unplugged and is cool. Discard the paper filter.
2. Wipe the outside of your Coffee Maker and the Warming Plate with a soft, damp cloth and dry. Do not use abrasive cleaners or scouring pads.
3. Hand wash Removable Filter Holder and Tea Infusion Basket in warm, sudsy water. **DO NOT PLACE IN DISHWASHER.**
4. The Glass Carafe and Lid may be washed in warm, soapy water. **DO NOT PLACE IN DISHWASHER.**

WARNING: Never immerse the Coffee Maker body in water or other liquid.

WARNING: Rinse Water Chamber with cold water periodically. **NEVER** use a cloth to clean or dry the Water Chamber as the cloth will leave a lint residue and may clog and cause damage to your Coffee Maker.

Mineral Deposits / Decalcifying

Your Coffee Maker must be cleaned when you begin to notice excessive steaming or the brewing time increases considerably. This condition is caused by a buildup of lime and mineral deposits from your water. If the pumping action stops before all the water has been pumped out of the machine, then the appliance requires decalcification.

The frequency of decalcification depends on the hardness of water used. It is suggested that this unit be descaled according to the following intervals:

- Soft water: every 80 brewing cycles
- Hard water: every 40 brewing cycles

How To Decalcify Your Coffee Maker

1. Place a #4 cone-shaped paper filter into the Removable Filter Holder. Make sure the Removable Filter Holder fits securely into the unit.
2. Fill Carafe with a solution of 2 tablespoons white vinegar to one liter of cold water. Pour the water and vinegar solution into the Water Chamber.
3. Place the empty Carafe on the Warming Plate. Plug the Coffee Maker into an outlet and press the AUTO ON/OFF Button to turn the Coffee Maker ON.
4. Keep the Coffee Maker ON until the Carafe is half full. Press the AUTO ON/OFF Button to turn the Coffee Maker OFF and let cool for 1/2 hour.
5. After 1/2 hour, pour the water and vinegar solution back into the Coffee Maker.
6. Place the empty Carafe on the Warming Plate. Press the AUTO ON/OFF Button to turn the the Coffee Maker ON and let all the water and vinegar solution flow through.
7. Discard the solution and the paper filter.
8. After allowing the Coffee Maker to cool for 15 minutes, flush out all the traces of vinegar by pouring a Carafe full of cold water into the Water Chamber. Make sure to insert a fresh filter into the Filter Holder before brewing and place the empty Carafe on the Warming Plate. Press the AUTO ON/OFF Button to turn the Coffee Maker ON and allow it to cycle through.
9. At the end of the brew cycle, press the AUTO ON/OFF Button to turn the Coffee Maker OFF. Discard water in the Carafe. Repeat steps 8 - 9. Unplug the Coffee Maker when finished.

NOTES

NOTES

LIMITED ONE-YEAR WARRANTY

Warranty Coverage: This product is warranted to be free from defects in materials or workmanship for a period of one (1) year from the original purchase date. This product warranty is extended only to the original consumer purchaser of the product and is not transferable. For a period of one (1) year from the date of original purchase of the product, our Repair Center will, at its option, either (1) repair the product or (2) replace the product with a reconditioned comparable model. These remedies are the purchaser's exclusive remedies under this warranty.

Warranty Service: To obtain warranty service, you must call our warranty service number at 1-800-233-9054 for return instructions on how to deliver the product, in either the original packaging or packaging affording an equal degree of protection to the Repair Center specified below. You must enclose a copy of your sales receipt or other proof of purchase to demonstrate eligibility for warranty coverage.

To return the appliance, ship to:

ATTN: Repair Center
708 South Missouri Street
Macon, MO 63552 USA

To contact us, please write to, call, or email:

Consumer Relations Department
PO Box 7366
Columbia, MO 65205-7366 USA
Phone: 1-800-233-9054
Email: consumer_relations@toastmaster.com

What Is Not Covered: This warranty does not cover damage resulting from misuse, accident, commercial use, improper service or any other damage caused by anything other than defects in material or workmanship during ordinary consumer use. This warranty is invalid if the serial number has been altered or removed from the product. This warranty is valid only in the United States and Canada.

LIMITATION ON DAMAGES: THERE SHALL BE NO LIABILITY FOR ANY INCIDENTAL OR CONSEQUENTIAL DAMAGES FOR BREACH OF ANY EXPRESS OR IMPLIED WARRANTY OR CONDITION ON THIS PRODUCT.

DURATION OF IMPLIED WARRANTIES: EXCEPT TO THE EXTENT PROHIBITED BY APPLICABLE LAW, ALL IMPLIED WARRANTIES AND CONDITIONS, INCLUDING, WITHOUT LIMITATION, IMPLIED WARRANTIES AND CONDITIONS OF MERCHANTABILITY AND FITNESS FOR A PARTICULAR PURPOSE OR USE ON THIS PRODUCT ARE LIMITED IN DURATION TO THE DURATION OF THIS WARRANTY.

Some jurisdictions do not allow the exclusion or limitation of incidental or consequential damages, or allow limitations on how long an implied warranty lasts, so the above limitations or exclusions may not apply to you. This warranty gives you specific legal rights and you may have other rights under the laws of your jurisdiction.

For more information on our products, visit our website: www.maxim-toastmaster.com.

©2006 All rights reserved.

Made in China

12/06