

FARBERWARE® MILLENNIUM®



USE & CARE INSTRUCTIONS
AUTOMATIC STAINLESS STEEL PERCOLATORS
MODEL NOS. FCP240, 280, 412

IMPORTANT SAFEGUARDS

When using electrical appliances, basic safety precautions should always be followed, including the following:

1. Read all instructions.
2. Do not touch hot surfaces. Use handles or knobs.
3. To protect against electrical hazards, do not immerse cord, plugs, or base in water or other liquid.
4. Close supervision is necessary when any appliance is used by or near children.
5. Unplug from outlet when not in use and before cleaning. Allow to cool before putting on or taking off parts, and before cleaning the appliance.
6. Do not operate any appliance with a damaged cord or plug or after the appliance malfunctions or has been damaged in any manner. Return appliance to the nearest **FARBERWARE®** authorized service facility for examination, repair or adjustment.
7. The use of accessory attachments not recommended or sold by **FARBERWARE®** may result in fire, electric shock or injury to persons.
8. Do not use outdoors.
9. Do not let cord hang over edge of table or counter or touch hot surfaces.
10. Do not place on or near a hot gas or electric burner, or in a heated oven.
11. When connecting an appliance, always take hold of the plug — never the cord — and attach to appliance first, then plug into the wall outlet. To disconnect, remove plug from wall outlet first, in the same manner.
12. Do not use appliance for other than intended household use.
13. In replacing the cover, make sure that it is seated all around the rim of the body. To remove, grasp knob and lift off.
14. Scalding may occur if the lid is removed during the brewing cycles.

FOR HOUSEHOLD USE ONLY

SAVE THESE INSTRUCTIONS

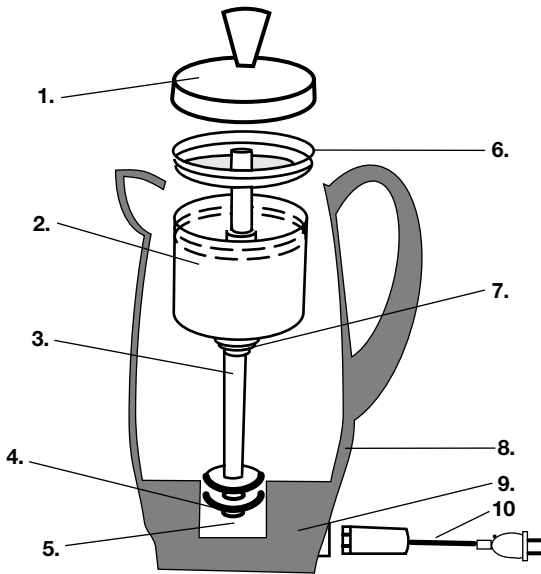
SHORT CORD INSTRUCTIONS

A short power-supply cord is provided to reduce the risk resulting from becoming entangled in or tripping over a longer cord.

Longer detachable power-supply cords or extension cords are available and may be used if care is exercised in their use.

If a longer detachable power-supply cord or extension cord is used, (1) the marked electrical rating of the extension cord should be at least as great as the electrical rating of the appliance, and (2) the longer cord should be arranged so that it will not drape over the counter top or table top where it can be pulled on by children or tripped over unintentionally.

GETTING TO KNOW YOUR FARBERWARE® AUTOMATIC STAINLESS STEEL PERCOLATOR



- | | |
|----------------|----------------|
| 1. Cover | 6. Spreader |
| 2. Basket | 7. Spring |
| 3. Pump Tube | 8. Body |
| 4. Washer | 9. Base |
| 5. Center Well | 10. Power Cord |

USING YOUR PERCOLATOR

1. Wash the Percolator thoroughly before using for the first time. (See “Cleaning Instructions” section in this manual.)
2. Remove Cover, Basket, Spreader and Pump Tube. Use cold, fresh tap water to fill Percolator. Fill according to markings on inside of Percolator for number of cups desired. Use cold tap water — the automatic brewing cycle is timed to begin with a cold water start.

NOTE: The bottom of the Pump Tube Spring marks the maximum capacity of the Percolator.

3. Wet Coffee Basket to help keep small particles of coffee from sifting through. Place Basket on Pump Tube. Add desired amount of regular or percolator grind coffee to Basket.

The following chart suggests amount of coffee for different brew strengths; amounts can be varied to suit personal taste and particular coffees.

CUPS TO BE BREWED	STANDARD COFFEE MEASURES TO USE		
	MILD	MEDIUM	STRONG
12	6	8	10
10	5	7	9
8	4	6	8
6	3	4	6
5	2-3/4	3-1/2	5
4	2-1/4	3	4
3	1-3/4	2-3/4	3-1/2
2	1-1/2	2	2-1/2

1 cup brewed coffee = 5 fluid ounces

1 standard coffee measure = 2 level tablespoons

4. Place Pump Tube with Basket into Percolator so bottom of tube is set into Center Well. Place Spreader on top of Basket and snap Cover onto Percolator. Attach cord to Percolator and plug into standard household 120 volt AC wall outlet. Brewing begins within seconds and continues at a cup-a-minute speed.

USING YOUR PERCOLATOR *(continued)*

- When coffee brewing is complete, percolating will stop. The Percolator automatically switches to “**KEEP WARM**” setting to preserve fresh-tasting coffee at hot, ready-to-serve temperature. For best flavor, remove Coffee Basket, Spreader and Pump Tube when brewing is completed.

REMOVE PARTS CAREFULLY: PERCOLATOR AND PARTS WILL BE HOT!

CLEANING INSTRUCTIONS

After Each Use: Always make sure plug is first removed from wall outlet, then remove cord from Percolator. Let Percolator cool. Remove Coffee Basket, Spreader and Pump Tube carefully — grounds and remaining coffee may still be warm.

Wash Percolator with water and detergent —

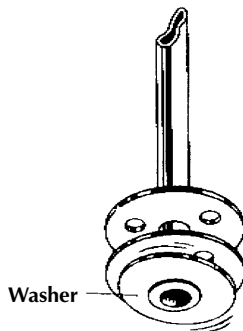
NEVER IMMERSE BASE OF PERCOLATOR.

The Cover, Basket, Spreader, and Pump Tube (with spring) may be placed in the dishwasher.

NEVER WASH PERCOLATOR BODY IN DISHWASHER.

Rinse all parts thoroughly and dry. Store with Cover off.

Make sure the Washer at bottom of Pump Tube remains loose. If coffee grounds lodge in this area, remove under running water or with a wooden pick.



Washer must remain loose — remove coffee grounds if caught.

After Repeated Use: Remove accumulation of oil and coffee stains that may cause a bitter taste with a special cleanser, such as “Dip-It®.” Follow package directions, filling with water to 1-1/2 inches from top. Be sure to rinse well.

FARBERWARE®

ONE-YEAR LIMITED WARRANTY

This FARBERWARE® product warranty extends to the original consumer purchaser of the product.

Warranty Duration: This product is warranted to the original consumer purchaser for a period of one (1) year from the original purchase date.

Warranty Coverage: This product is warranted against defective materials or workmanship. This warranty is void if the product has been damaged by accident, in shipment, unreasonable use, misuse, neglect, improper service, commercial use, repairs by unauthorized personnel or other causes not arising out of defects in materials or workmanship. This warranty is effective only if the product is purchased and operated in the USA, and does not extend to any units which have been used in violation of written instructions furnished, or to units which have been altered or modified or to damage to products or parts thereof which have had the serial number removed, altered, defaced or rendered illegible.

Warranty Disclaimers: This warranty is in lieu of all warranties expressed or implied and no representative or person is authorized to assume any other liability in connection with the sale of our products. There shall be no claims for defects or failure of performance or product failure under any theory of tort, contract or commercial law including, but not limited to, negligence, gross negligence, strict liability, breach of warranty and breach of contract.

Warranty Performance: During the above one-year warranty period, a product with a defect will be either repaired or replaced with a comparable model (at Salton/MAXIM's option) when the product is returned. The repaired or replacement product will be in warranty for the balance of the one-year warranty period and an additional one-month period. No charge will be made for such repair or replacement.

Important Notice

If any parts are missing or defective, return this product to the place of purchase or contact our Consumer Service Department for assistance.

Consumer Service

This FARBERWARE® product is distributed by:

Salton, Inc.
550 Business Center Drive
Mt. Prospect, Illinois 60056
E-mail: farberware-electric@saltonusa.com

Any questions or comments can be directed to Salton's address or call the Consumer Service Department:

TOLL FREE: 1-888-881-8101, Monday - Friday, 9 a.m. - 5 p.m. CST

Please refer to: Part No. 60218 when you call.

FARBERWARE® and MILLENNIUM® are registered trademarks of Farberware Inc.®
Manufactured and sold pursuant to a license from Farberware Inc.®