

salton®

coffee maker
12 cup capacity



Instruction Booklet

Model: FC-1191

IMPORTANT SAFEGUARDS

When using electrical appliances, basic safety precautions should always be followed including the following:

1. Read all instructions.
2. Do not touch hot surfaces. Use handles or knobs.
3. To protect against electrical hazards, do not immerse cord, plugs, or the appliance in water or other liquid.
4. Close supervision is necessary when any appliance is used by or near children.
5. Unplug from outlet when not in use and before cleaning. Allow to cool before putting on or taking off parts, and before cleaning the appliance.
6. Do not operate any appliance with a damaged cord or plug or after the appliance malfunctions, or has been damaged in any manner. Return appliance to Salton for examination, repair or adjustment. See **Warranty**.
7. The use of accessories or attachments not recommended by Salton may result in fire, electric shock or injury.
8. Do not use outdoors.
9. Do not let cord hang over edge of table or counter, or touch hot surfaces.
10. Do not place on or near a hot gas or electric burner, or in a heated oven.
11. Do not use appliance for other than intended use.
12. Do not leave unit unattended while in use.
13. Extreme caution must be used when moving an appliance containing hot liquids.
14. The carafe is designed for use with this appliance. It must never be used on a range top.
15. Do not place the carafe on a wet or cold surface or in a microwave oven.
16. Do not use the carafe if it is cracked or has a loose or weakened handle.
17. Do not clean the carafe with cleansers, steel wool pads or other abrasive material.
18. The appliance is equipped with a removable water tank. During operation, never remove the water tank.
19. Never leave the empty carafe on the 'Keep Warm Plate' as the carafe is likely to crack.
20. Any maintenance other than cleaning should be performed by an authorized service facility.

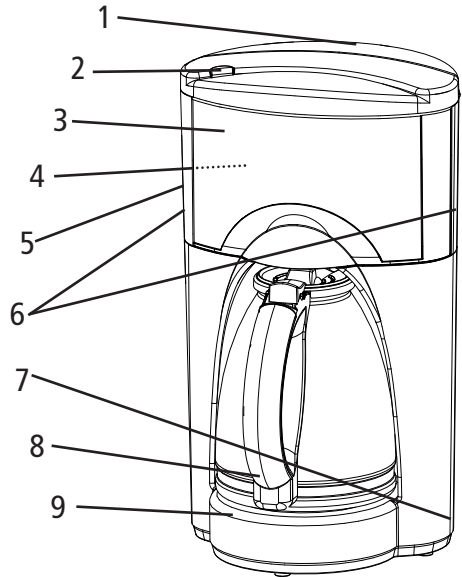
SAVE THESE INSTRUCTIONS
HOUSEHOLD USE ONLY

POLARIZED PLUG

This appliance has a polarized plug (one blade is wider than the other). To reduce the risk of electric shock, this plug will fit in a polarized outlet only one way. If the plug does not fit fully in the outlet, reverse the plug. If it still does not fit, contact a qualified electrician. Do not modify the plug in any way.

DESCRIPTION OF PARTS

- 1) Water Reservoir Lid
- 2) Filter Basket Opening Button
- 3) Filter Basket Holder
- 4) Filter Basket (inside of Holder)
- 5) Housing
- 6) Water Level Windows
- 7) On/Off Switch
- 8) Carafe with Lid
- 9) Warming Plate



BEFORE FIRST USE

Wash the Carafe with Lid and Filter Basket in warm soapy water. Rinse thoroughly and dry. Wipe the Main Housing with a soft damp cloth. Do not immerse Housing in water or any other liquid.

Prior to brewing coffee for the first time run the machine with water only. Follow the directions in the HOW TO USE section omitting the coffee.

HOW TO USE

1. Fill the Water Reservoir with fresh cold water for the desired number of cups.

NOTE: Do not fill above the 'MAX' line or less than the 'MIN' line indicated on the Water Reservoir.

2. Press the Filter Basket Opening Button and the Filter Basket Holder will swing outward. Fit a #4 coffee filter into the Filter Basket and fill with the desired amount of ground coffee.

NOTE: Use coffee ground specifically for automatic drip coffee makers. Usually one Coffee Measuring Scoop or a level tablespoon of ground coffee is used for each cup of coffee. Adjust the amount to your personal taste.

3. Close the Filter Basket Holder.

NOTE: If the door does not close completely, check to see that the Filter Basket and coffee filter are properly seated in the Filter Basket Holder then snap the door into place.

4. Place the Carafe with Lid on the Keep Warm Plate.

5. Plug into a 120 Volt AC outlet.

6. Press the ON/OFF Button to the 'On' position and the Indicator Light will illuminate indicating that the Coffee Maker is in the brew cycle.

NOTE: The brew cycle can be interrupted by pressing the ON/OFF Button to the 'Off' position at any time. If you press the ON/OFF button again the brew cycle will continue.

7. In a few minutes the coffee will be brewed and the Coffee Maker will automatically switch over to the 'Keep Warm' mode until the Coffee Maker is unplugged.

'PAUSE & SERVE' FEATURE

The 'Pause & Serve' feature allows you to pour a cup of coffee before the brew cycle has finished. Remove the Carafe slowly to temporarily stop the flow of coffee. Quickly pour a cup of coffee and reposition the Carafe securely on the Keep Warm Plate.

NOTE: Do not remove the Carafe for longer than 30 seconds.

CARE AND CLEANING

- 1) Unplug unit and let cool before cleaning.
 - 2) Discard the coffee filter and grounds. Remove the Filter Basket from the Filter Basket Holder.
 - 3) The Filter Basket and Carafe can be washed in warm soapy water.
 - 4) Wipe the Housing and Warming Plate with a soft damp cloth.
- NEVER IMMERGE THE HOUSING IN WATER OR ANY OTHER LIQUID.**

Descaling

Over a period of time, minerals and calcium found in water will accumulate in your Coffee Maker and may affect its operation. The appliance should be cleaned approximately every six months, depending on water conditions. Use distilled vinegar in the following manner to remove the mineral deposits.

1. Fill the Water Reservoir to the 'MAX' level with equal parts of white vinegar and cold water. Close the Lid.
2. Snap the Filter Basket and Filter Basket Holder into position.
3. Place the Carafe with Lid on the Warming Plate.
4. Press the ON/OFF Switch to the 'On' position and the Coffee Maker will start.
5. Let the whole quantity of the vinegar/water solution run through the machine, then turn the Coffee Maker Off by pressing the ON/OFF Button. (The red On Indicator Light will turn off.)
6. Repeat the above steps using cold water to rinse away any residual vinegar. Repeat twice.

A short supply cord is provided to reduce the hazards of becoming entangled in or tripping over a long cord. Extension cords may be used if care is exercised in their use. If an extension cord is used, the marked electrical rating of the detachable power-supply cord or extension cord should be at least as great as the electrical rating of the appliance. If the appliance is of the grounded type, the extension cord should be a grounded 3-wire cord. The extension cord should be arranged so that it will not drape over the counter top or table top, where it can be pulled on by children or tripped over.

LIMITED WARRANTY

Salton Canada warrants that this appliance shall be free from defects in material and workmanship for a period of one year from the date of purchase. During this 'in-warranty' period, defective products will be repaired or replaced at the discretion of the retailer and/or Salton Canada. This warranty covers normal domestic usage and does not cover damage which occurs in shipment or failure which results from alteration, accident, misuse, abuse, glass breakage, neglect, commercial use or improper maintenance.

A defective product should be returned to the original place of purchase within the retailer's stipulated return/exchange period*. If you are unable to have a defective product replaced under warranty by the retailer, please check our website at "www.salton.com" for the service centre nearest you. You may also contact us for assistance by mail, e-mail, fax or telephone as listed below.

To ensure prompt 'in-warranty' service securely package and return the product to us prepaid. Be sure to include the original proof of purchase and a description of the defect along with your address and postal code.

For repairs not covered by the warranty, please contact us for assistance.

salton®

SALTON CANADA

Customer Service Department
81A Brunswick,
Dollard-des-Ormeaux,
Quebec, Canada H9B 2J5
website: www.salton.com
E-mail: service@salton.com
Fax: 514-685-8300
Tel: 514-685-3660 Ext. 226

* Return/exchange policies at each retailer vary and may differ from the SALTON Canada 1 year limited warranty period.