

# **FARBERWARE®**

## **SUPERFAST AUTOMATIC STAINLESS STEEL COFFEE URN**



**USE AND CARE INSTRUCTIONS**

**MODEL NOS. FSU122, 236, 255**

# IMPORTANT SAFEGUARDS

When using electrical appliances, basic safety precautions should always be followed, including the following:

1. Read all instructions.
2. Do not touch hot surfaces. Use handles or knobs.
3. To protect against electrical hazards, do not immerse cord, plugs, or base in water or other liquid.
4. Close supervision is necessary when any appliance is used by near children.
5. Unplug from outlet when not in use and before cleaning. Allow to cool before putting on or taking off parts, and before cleaning the appliance.
6. Do not operate any appliance with a damaged cord or plug, or after the appliance malfunctions, or has been damaged in any manner. Return appliance to the nearest authorized service facility for examination, repair or adjustment.
7. The use of accessory attachments not recommended or sold by FARBERWARE® may cause hazards.
8. Do not use outdoors.
9. Do not let cord hang over edge of table or counter, or touch hot surfaces.
10. Do not place on or near a hot gas or electric burner, or in a heated oven.
11. Extreme caution must be used when moving an appliance containing hot oil or other hot liquids.
12. When connecting an appliance, always take hold of the plug — never the cord — and attach to appliance first, then plug into the wall outlet. To disconnect, turn the heat control to “OFF,” then remove plug from wall outlet first, in the same manner.
13. This appliance has a polarized plug (one blade is wider than the other). As a safety feature, this plug will fit into a polarized outlet only one way. If the plug does not fit in the outlet, reverse the plug. If it still does not fit, contact a qualified electrician. Do not attempt to modify the plug in any way.

**FOR HOUSEHOLD USE ONLY**

# THE FARBERWARE® COFFEE URN

is America's classically styled, fully automatic Coffee Urn.

It's made in America, crafted of durable stainless steel with a gleaming finish, for lasting service and beauty. Its graceful, unique design and high polish make a perfect presentation at the buffet table.

It brews hot rich coffee at faster than cup-a-minute speed, and automatically keeps it hot and fresh-tasting.

**The Farberware® Coffee Urn: *Coffee taste and coffee service at its best.***

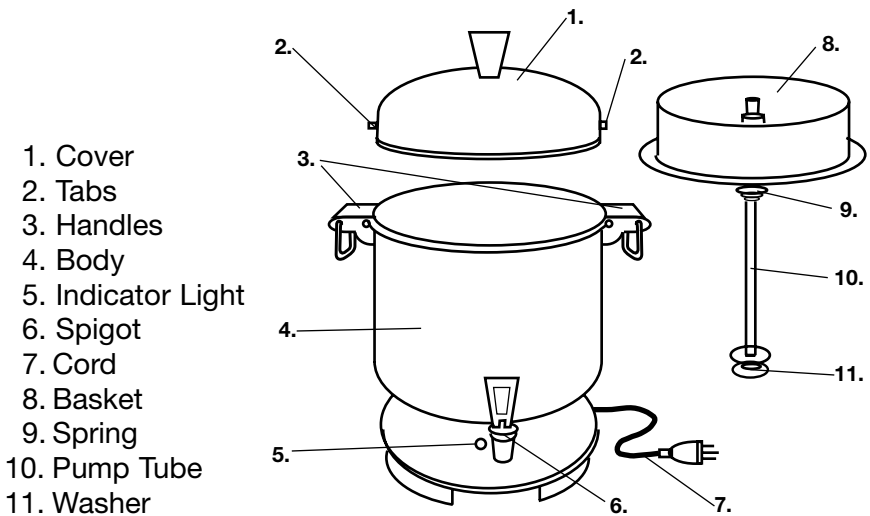
## SHORT CORD INSTRUCTIONS

A short power-supply cord is provided to reduce the risk resulting from becoming entangled in or tripping over a longer cord.

Longer detachable power-supply cords or extension cords are available and may be used if care is exercised in their use.

If a longer detachable power-supply cord or extension cord is used, (1) the marked electrical rating of the extension cord should be at least as great as the electrical rating of the appliance, and (2) the longer cord should be arranged so that it will not drape over the counter top or table top where it can be pulled on by children or tripped over unintentionally.

## USING THE FARBERWARE® AUTOMATIC STAINLESS STEEL COFFEE URN



## USING THE COFFEE URN *(continued)*

1. Wash the Coffee Urn thoroughly before using for the first time. (See “Cleaning Instructions” section in this manual.)
2. Remove cover and basket. Check to see that spigot is closed. Use cold, fresh tap water to fill Coffee Urn. **DO NOT OVERFILL OR UNDERFILL.** Fill according to markings on inside of Urn for number of cups desired. Use cold tap water — the automatic brewing cycle is timed to begin with a cold water start.
3. Wet coffee basket to help keep small particles of coffee from sifting through. Add desired amount of regular or percolator grind coffee to basket and place on the pump tube. The pump tube must be resting in center well.

The following chart suggests amount of coffee to use for medium brew; amounts can be varied to suit personal taste and particular coffees.

<b>CUPS TO BE BREWED</b>	<b>AMOUNT OF GROUND COFFEE TO USE*</b>
10	1 cup
12	1-1/4 cups
14	1-1/2 cups
18	1-3/4 cups
22	2-1/4 cups
24	2-1/2 cups
30	3 cups
36	3-1/2 cups
42	4 cups
48	4-1/2 cups
55	1 pound can

1 cup brewed coffee = 5 fluid ounces

\*Use standard measuring cups

4. Replace the Urn cover and secure in position by turning cover clockwise until cover tabs fit into handle slots.
5. Plug into standard household 120 volt AC wall outlet. To avoid unnecessary strain on the heating mechanism, **PLUG IN COFFEE URN AFTER THE WATER AND COFFEE ARE ADDED.**

## USING THE COFFEE URN *(continued)*

6. When coffee brewing is complete, percolating will stop and the red indicator light will come on. The Urn automatically switches to “keep warm” setting to preserve fresh-tasting coffee at hot, ready-to-serve temperature.

*For best flavor, remove coffee basket and pump tube when brewing is completed.*

### **REMOVE PARTS CAREFULLY: COFFEE URN AND PARTS WILL BE HOT!**

**Also, be sure to unplug the Urn when only 1 or 2 cups of coffee remain.**

Hot fruit or wine punches may be prepared in this Coffee Urn.

## CLEANING INSTRUCTIONS

**After Each Use** (and before using for the first time): Always make sure plug is first removed from wall outlet. Let Coffee Urn cool. Remove cover, coffee basket, and pump tube carefully — grounds and remaining coffee may still be warm.

Wash Coffee Urn with water and detergent —

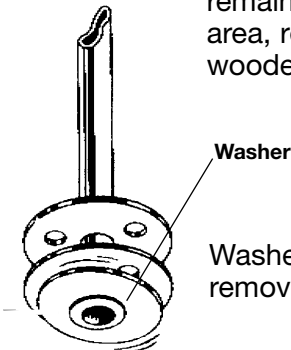
**NEVER IMMERSE BASE OF URN.**

The cover, basket, and pump tube (with spring) may be placed in the dishwasher.

**NEVER WASH URN BODY IN DISHWASHER.**

Rinse all parts thoroughly and dry. Store with cover off.

Make sure the washer at bottom of pump tube remains loose. If coffee grounds lodge in this area, remove under running water or with a wooden pick. (See illustration.)



Washer must remain loose — remove coffee grounds if caught.

**After Repeated Use:** Remove accumulation of oil and coffee stains that may cause a bitter taste with a special cleanser, such as “Dip-It.” Follow package directions, filling with water to 1-1/2 inches from top. Be sure to rinse well.

# FARBERWARE®

## ONE-YEAR LIMITED WARRANTY

This FARBERWARE® product warranty extends to the original consumer purchaser of the product.

**Warranty Duration:** This product is warranted to the original consumer purchaser for a period of one (1) year from the original purchase date.

**Warranty Coverage:** This product is warranted against defective materials or workmanship. This warranty is void if the product has been damaged by accident, in shipment, unreasonable use, misuse, neglect, improper service, commercial use, repairs by unauthorized personnel or other causes not arising out of defects in materials or workmanship. This warranty is effective only if the product is purchased and operated in the USA, and does not extend to any units which have been used in violation of written instructions furnished, or to units which have been altered or modified or to damage to products or parts thereof which have had the serial number removed, altered, defaced or rendered illegible.

**Warranty Disclaimers:** This warranty is in lieu of all warranties expressed or implied and no representative or person is authorized to assume any other liability in connection with the sale of our products. There shall be no claims for defects or failure of performance or product failure under any theory of tort, contract or commercial law including, but not limited to, negligence, gross negligence, strict liability, breach of warranty and breach of contract.

**Warranty Performance:** During the above one-year warranty period, a product with a defect will be either repaired or replaced with a comparable model (at the store's option) when the product is returned. The repaired or replacement product will be in warranty for the balance of the one-year warranty period and an additional one-month period. No charge will be made for such repair or replacement.

### Important Notice

If any parts are missing or defective, return this product to the place of purchase or contact our Consumer Service Department for assistance.

### Consumer Service

This FARBERWARE® product is distributed by:

Salton/Maxim Housewares, Inc.  
708 South Missouri St.  
Macon, MO 63552  
E-mail: SALTON 550 @ aol.com

Any questions or comments can be directed to Salton/Maxim's address or call the Consumer Service Department:

1-900-884-8818, Monday - Friday, 7:30 a.m. - 6 p.m. CST

You will be charged 95 cents per minute, with a maximum charge of \$3.80 for this call.