

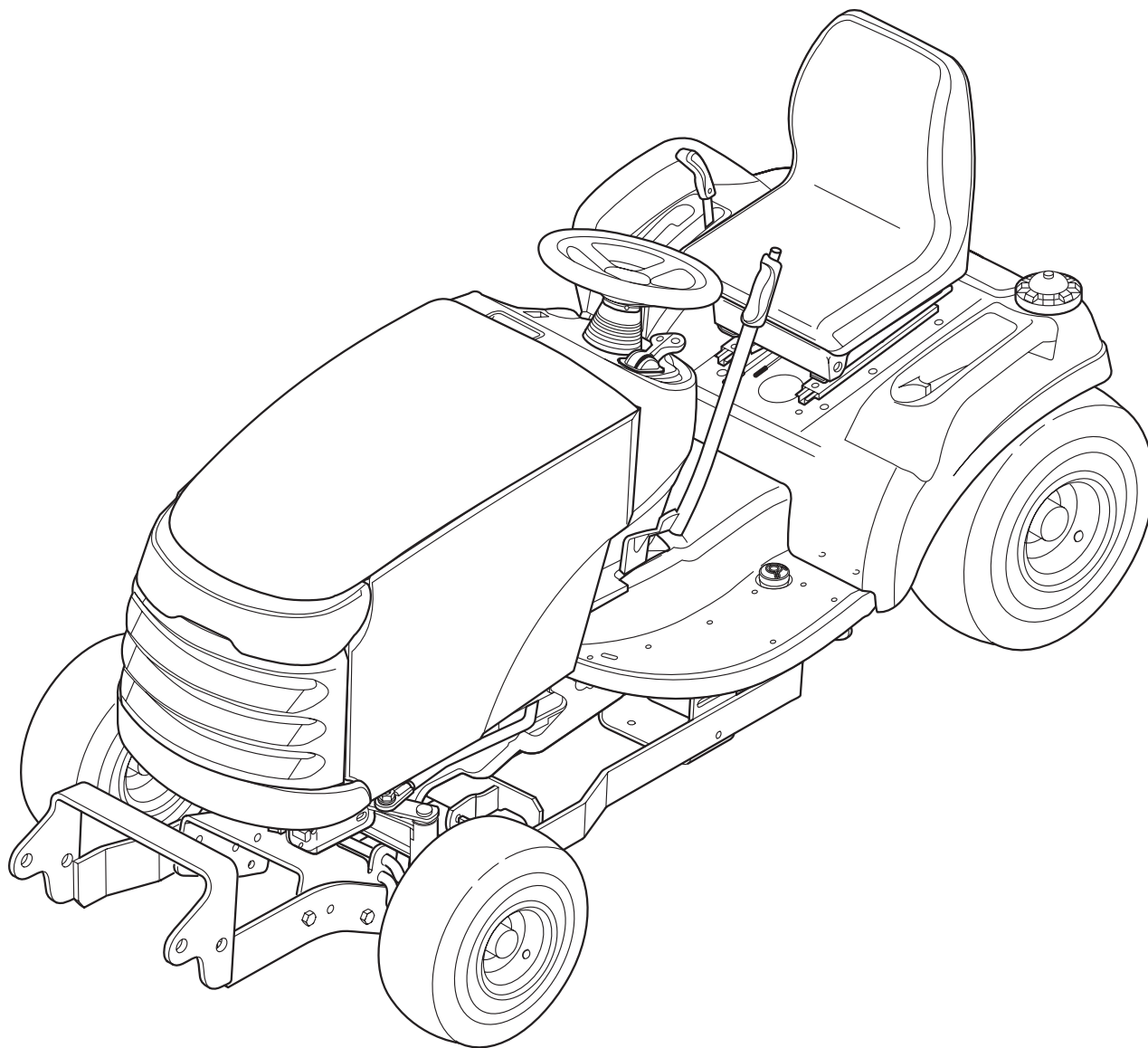
# Installation Instructions

## Sub-Frame Hitch

Mfg. No. 1695195

For Prestige / 1800 / 2800, Conquest / 1700 / 2700, &  
Broadmoor / 1600 / 2600 Series Tractors

This kit is required when installing front mounted snowthrowers.



## Main Hitch Components (All Applications)

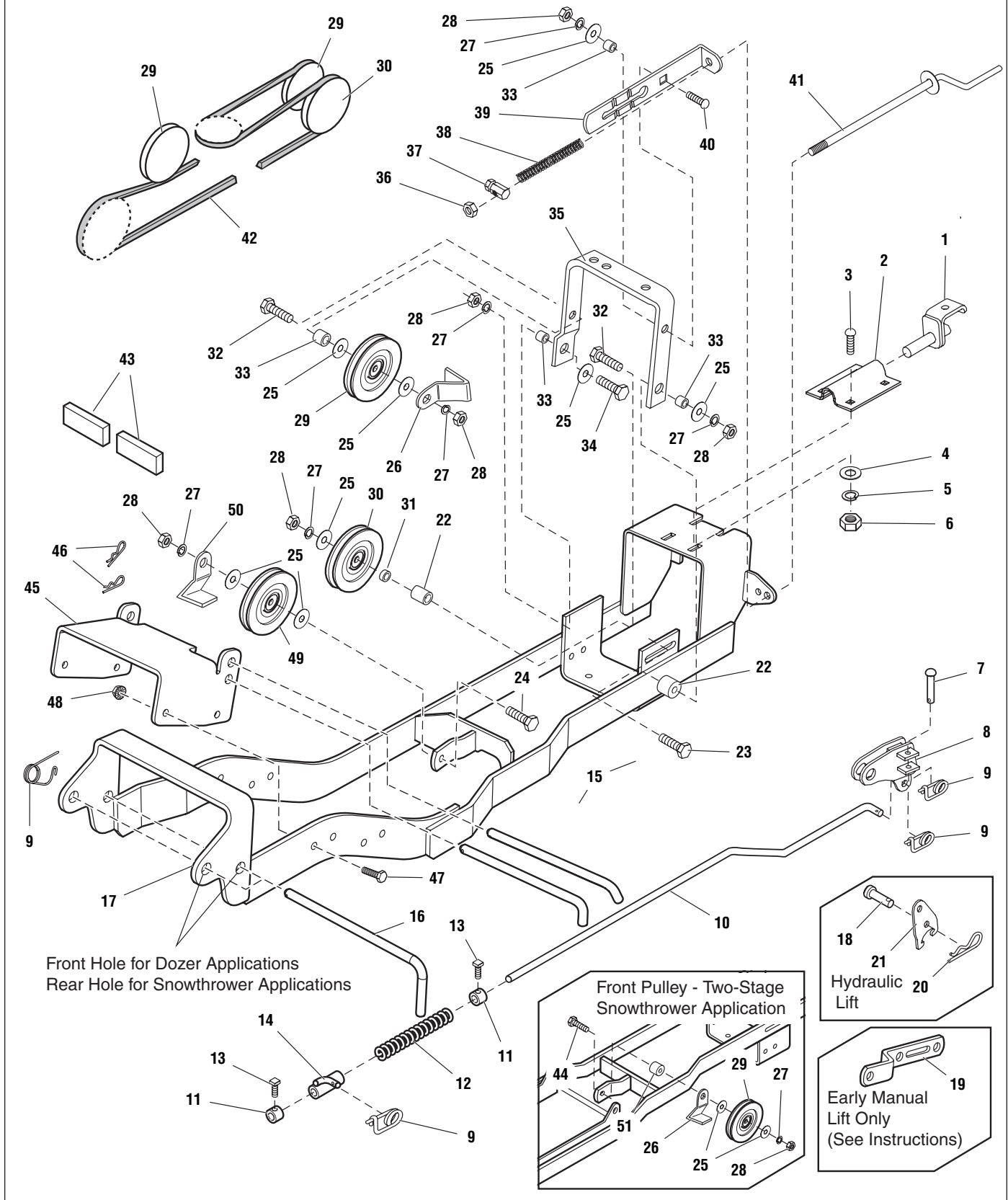


Figure 1. Contents

Ref	Part No.	Qty.	Description
1	1723292A	1	SHAFT & HOOK ASSY
2	1653768A	1	CLAMP, Support
3	1931335	4	CARRIAGE BOLT, 5/16-18 x 1
4	1919381	4	WASHER, 11/32
5	1917356	3	LOCKWASHER, 5/16
6	1917372	4	NUT, 5/16-18
7	105249	1	PIN, Round Head, 3/8 x 2-3/8
8	1724025	1	LIFT LEVER ASSY.
9	2176012	4	SAFETY CLIP
10	1722946	1	LIFT ROD
11	8031007	2	SET COLLAR
12	171011	1	SPRING, Compression
13	1928721	2	SET SCREW, 5/16-18 x 1/2
14	1723115	1	ROD GUIDE
15	1733812	2	ROD, Latch
16	1733309	1	ROD, Hitch
17	1733779A	1	HITCH ASSY.
18	1722819	1	PIN, Headless, 1/2 x 2
19	1723795	1	BAR, Lift Link
20	1960033	1	HAIR PIN CLIP
21	1722469	1	PLATE, Lock, Hydraulic Lift
22	1667812	2	SPACER
23	1960244	1	SCREW, Whiz, 3/8-16 x 2-3/4
24	1921971	1	CAPSCREW, 3/8-16 x 3/4
25	1924940	8	WASHER PLAIN, 3/8
26	162115	1	BELT GUIDE
27	1916965	7	LOCKWASHER, 3/8
28	1916950	6	NUT HEX FULL, 3/8-16
29	171247	1	PULLEY-FLAT
30	1666287	1	PULLEY ASS'Y
31	1666294	1	SPACER-BRG
32	1923701	2	CAPSCREW, 3/8-16 x 2
33	158227	4	SPACER
34	1920415	1	CAPSCREW, 3/8-16 x 1-1/4
35	1722963	1	PIVOT BRACKET
36	1930651	1	NUT LOCK, 3/8-16
37	1704743	1	TRUNNION
38	1668282	1	SPRING
39	1722972	1	GUIDE ASS'Y -SPRING
40	1960268	1	CARRIAGE BOLT, 3/8-16 x 1-1/4
41	1704741	1	ROD ASS'Y
42	1703371	1	V-BELT, Single-Stage Blower
42	1703372	1	V-BELT, Two-Stage Blower
43	1701600	2	REFLECTOR
44	1922130	1	CAPSCREW, 3/8-16 x 2-1/4
45	1733814A	1	PUSH BAR LATCH
46	1960074	2	CLIP
47	1921210	4	BOLT, .38-16 x 1
48	1928352	4	NUT- FLG, .38-16
49	1724387	1	PULLY-FLAT
50	1677135A	1	BELT GUIDE

*NOTE: Please read through these instructions and the instructions of any other attachments before beginning installation.*

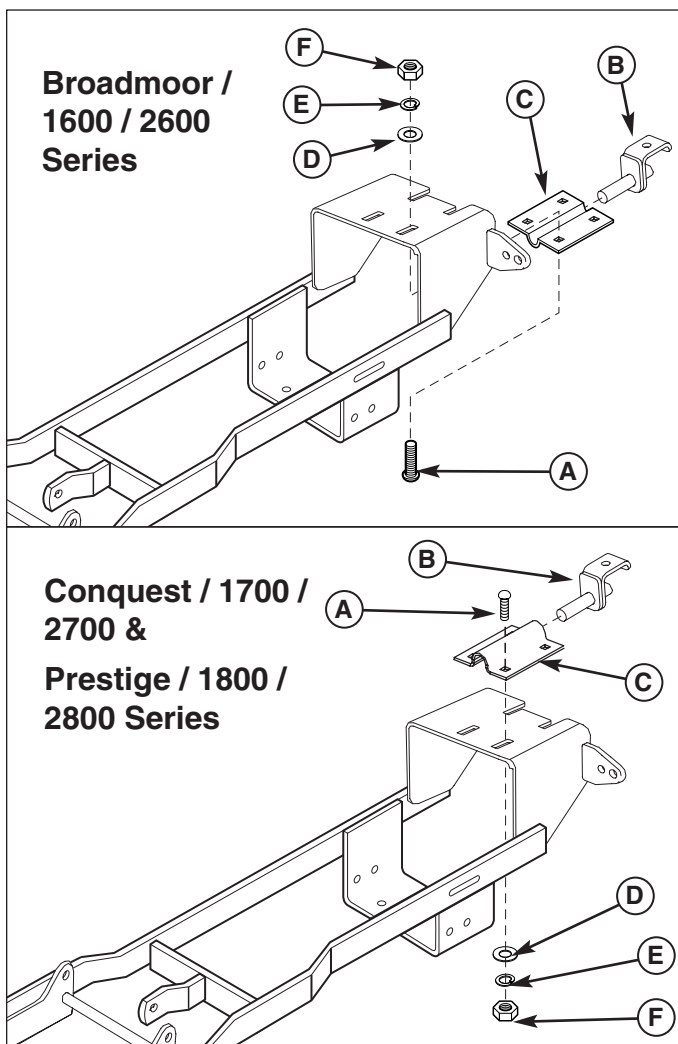
## **⚠ WARNING**

**Before beginning any service work turn off the PTO, set the parking brake, turn off the ignition, and disconnect the spark plug wire(s).**

## INITIAL ASSEMBLY

### Assemble Hitch

1. Attach the support clamp (C, Figure 2) and hook assembly (B) to the hitch. Secure with four 5/16-18 x 1 carriage bolts (A), washers (D), lockwashers (E), and nuts (F). Do not tighten the hardware at this time.

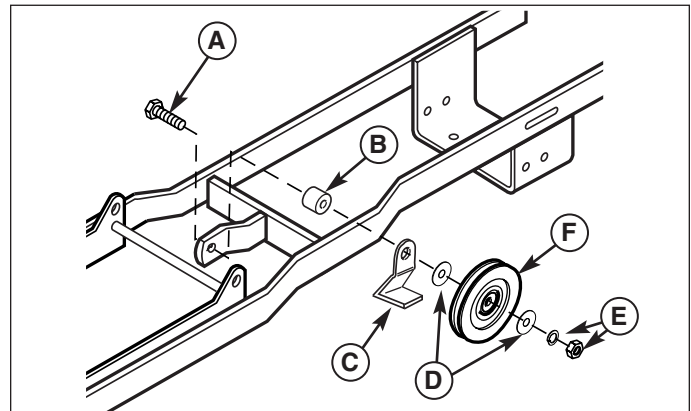


**Figure 2. Install Support Clamp**

- |                              |                    |
|------------------------------|--------------------|
| A. 5/16-18 x 1 Carriage Bolt | D. 11/32 Washer    |
| B. Hook Assembly             | E. 5/16 Lockwasher |
| C. Support Clamp             | F. 5/16-18 Nut     |

### Change Pulley & Belt - Two-Stage Blower Only

1. If using this hitch with a two-stage snowthrower, the front idler pulley must be switched from the right hand side of the hitch bracket, to the left, and an additional 3/8 x 1 x 1/2 spacer (B, Figure 3) and 3/8-16 x 2-1/4 capscrew (A) is required. Also install the 1703372 drive belt.

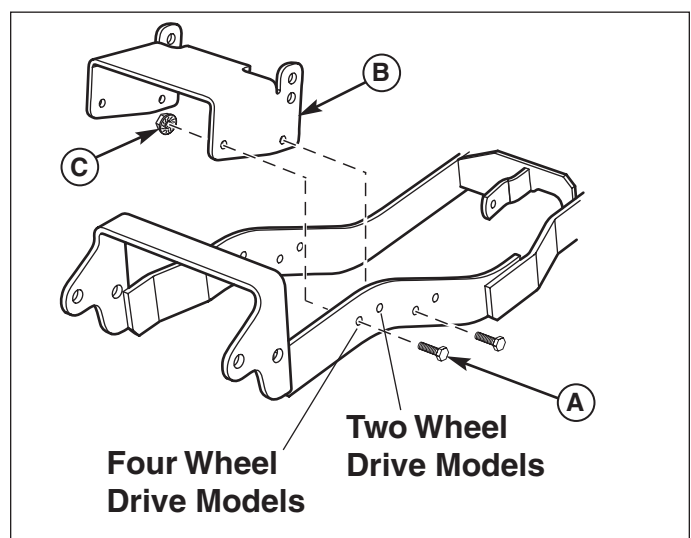


**Figure 3. Front Pulley - Two-Stage Applications**

- |                             |                     |
|-----------------------------|---------------------|
| A. Capscrew, 3/8-16 x 2-1/4 | D. Washers, 3/8     |
| B. Spacer, 3/8 x 1 x 1/2    | E. Lockwasher & Nut |
| C. Belt Guide               | F. Pulley           |

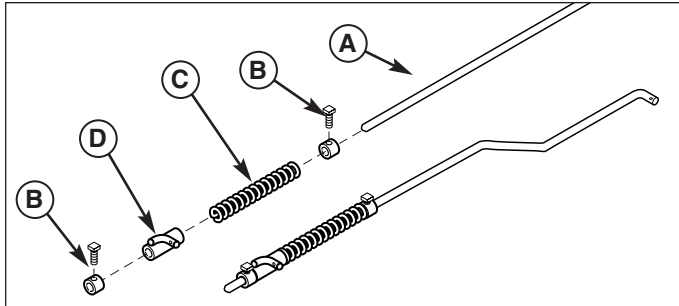
### Assemble Push Bar Latch

1. Attach Push Bar Latch (B, Figure 4), to hitch. Secure with four .38-16 x 1 bolts (A), and four .38-16 flange nuts (C).

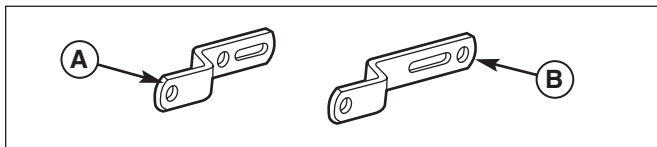


**Figure 4. Assemble Push Bar Latch**

- |                     |                       |
|---------------------|-----------------------|
| A. Bolt, .38-16 x 1 | C. Flange Nut, .38-16 |
| B. Push Bar Latch   |                       |



**Figure 5. Assemble Lift Rod**  
 A. Lift Rod                      C. Spring  
 B. Set Collar                  D. Rod Guide



**Figure 6. Early/Later Lift Links**  
 A. Early Model Lift Link  
 B. Later Model Lift Link

**Assemble Lift Rod**

1. Install the set collars (B, Figure 4), spring (C), and rod guide (D) on the lift rod (A) as shown. Final adjustment of the set collars will be made after the hitch and attachment are installed.

**INITIAL INSTALLATION**

**Manual Lift Models**

**LIFT LINK - EARLY VS. LATER**

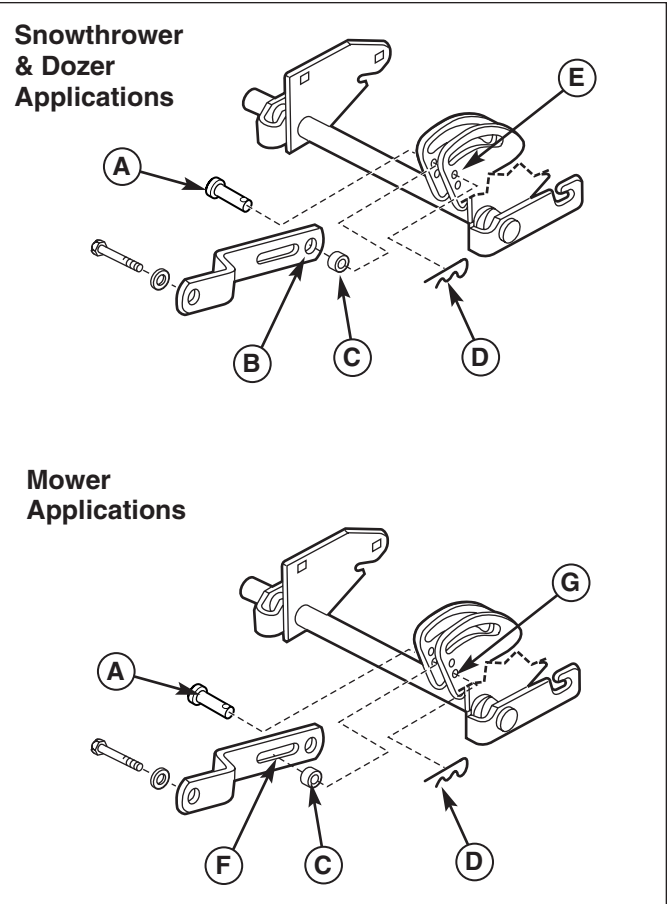
The early model lift link (A, Figure 6) was used on early production Conquest/1700/2700 Series tractors. It must be replaced with the later model lift link (B) included with this attachment. The later model link works in all applications. Discard the early model link (A).

**LIFT LINK POSITION**

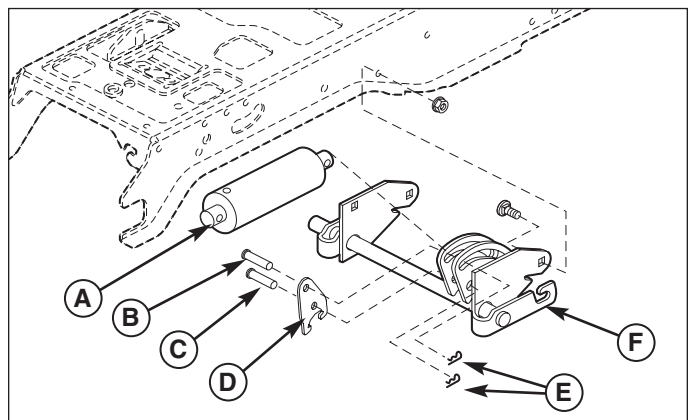
The lift link is installed differently depending on what attachment is being used. Refer to Figure 7 for link installation information.

**Hydraulic Lift Models**

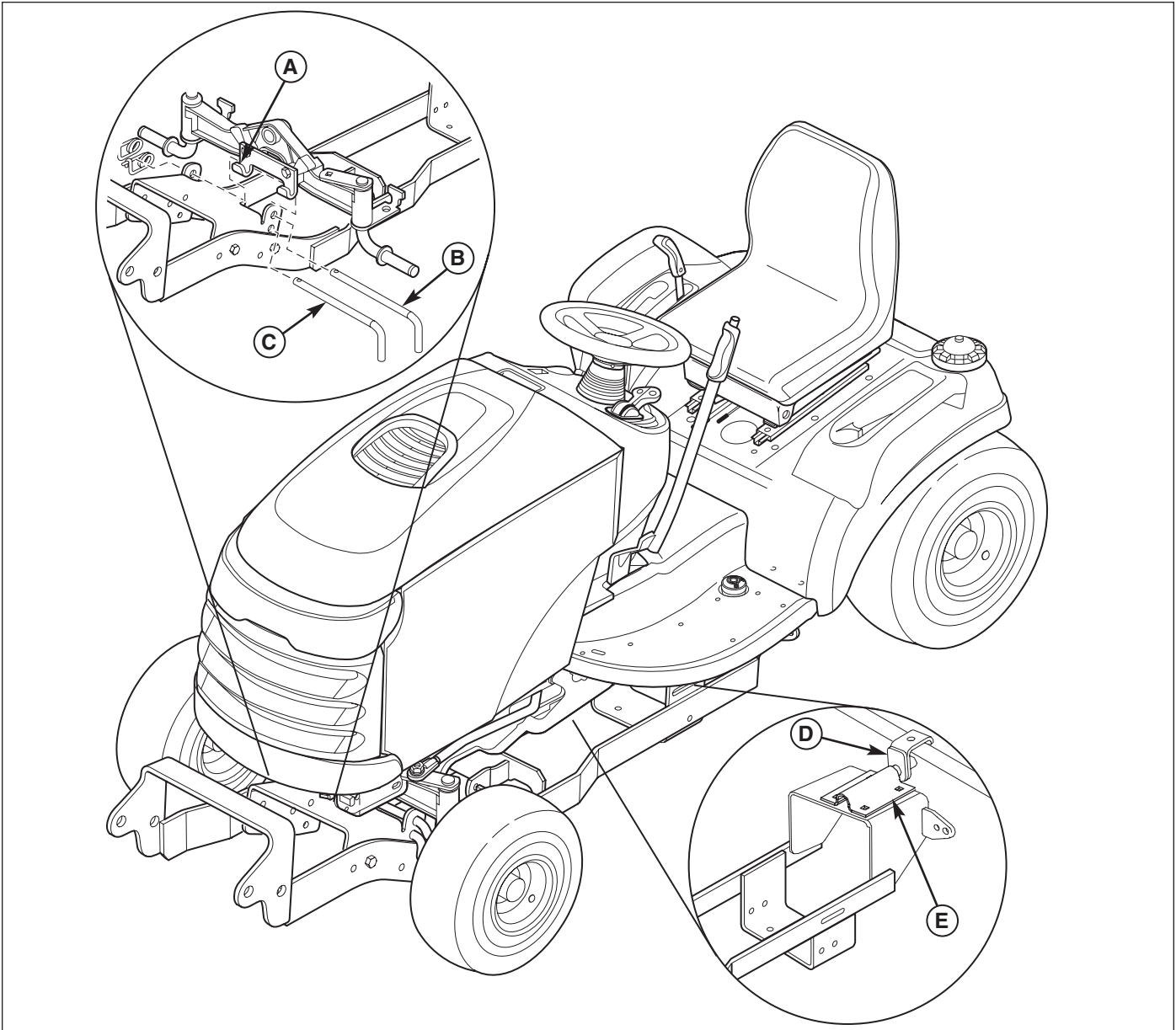
1. Fully lower the hydraulic lift. The lift assembly is spring loaded so it will need to be held in the down position to perform of the following procedures.
2. Remove and retain the flat head pin (B, Figure 8) and hair pin clip (E) securing the lift cylinder (A) to the lift shaft assembly (F). Remove and retain the flat washers.
3. Mount the lock plate (D) next to the cams on the lift shaft assembly (F) as shown.
4. Install the original flat head pin (B) and new flat head pin (C) and secure with hair pin clips.



**Figure 7. Connect Lift Link**  
 A. Pin  
 B. Rear Hole of Lift Bar (Snowthrower Applications)  
 C. Spacer  
 D. Hair Pin Clip  
 E. Upper Hole (Snowthrower Applications)  
 F. Slot of Lift Link (Mower Applications)  
 G. Lower Hole (Mower Applications)



**Figure 8. Install Lock Plate - Hydraulic Lift Models**  
 A. Lift Cylinder                      D. Lock Plate  
 B. Flat Head Pin (Original)        E. Hair Pin Clips  
 C. Flat Head Pin (New)            F. Lift Shaft Assy.



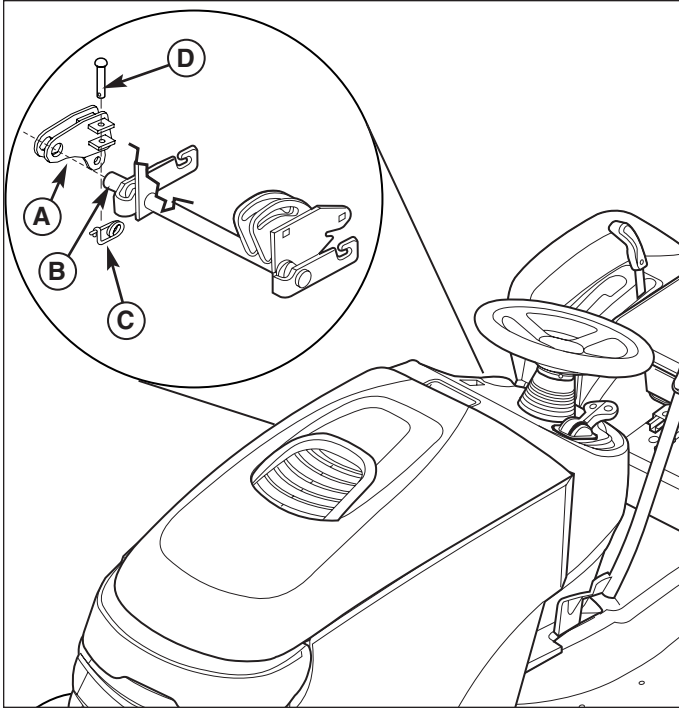
**Figure 9. Install Hitch**

**A. J-Hooks**  
**B. Hitch Rod**  
**C. Hitch Rod**

**D. Hook**  
**E. Clamp Plate**

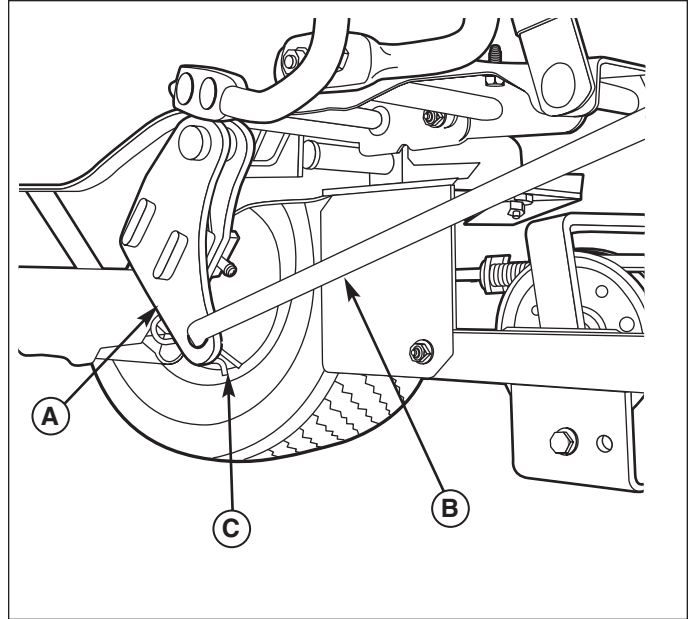
## Install Hitch

1. Slide the hitch under the tractor.
2. Raise the rear of the hitch and place the hook (C) over the lift shaft.
3. Connect the front of the hitch to the tractor J-hooks (A, Figure 9) using the hitch rod (B) and a safety clip in the top holes of the push bar latch.
4. Secure the front of the hitch to the tractor by attaching the hitch rod (C) and a safety clip in the bottom holes of the push bar latch.
5. Push the clamp plate (D) backwards until it is snug against the lift shaft. Tighten the clamp plate hardware (E).



**Figure 10. Install Lift Lever**

- A. Lift Lever**
- B. Lift Shaft**
- C. Safety Clip**
- D. Clevis Pin**



**Figure 11. Install Lift Rod - All Models**

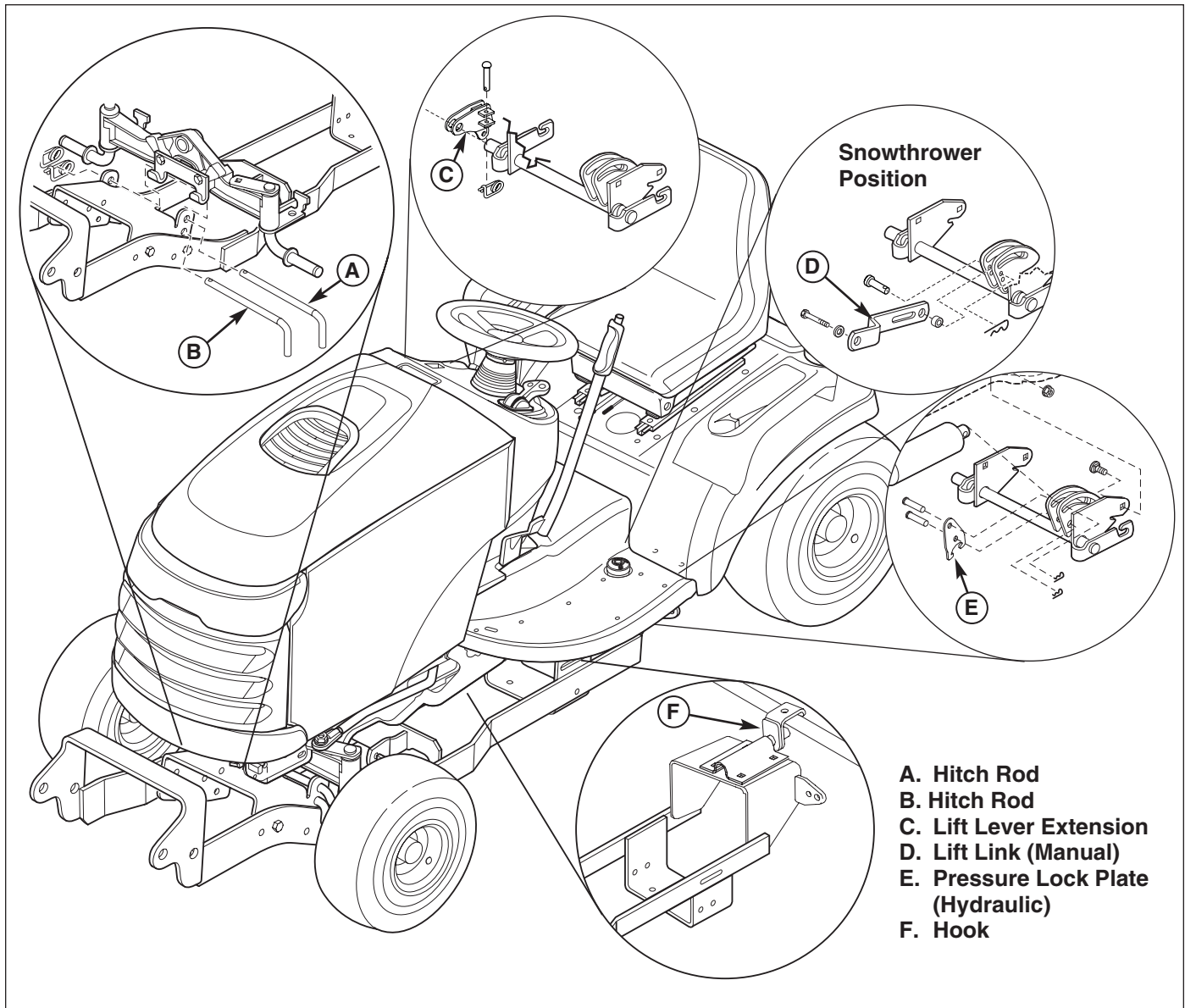
- A. Lift Lever**
- B. Lift Rod**
- C. Clip**

**Install Lift Rod**

1. Slide the lift lever (A, Figure 10) onto the end of the tractor lift shaft (B) under the right side footrest.
2. Use the tabs on the lift lever (A) to capture the tractor lift arm. Secure in place with a clevis pin (D) and safety clip (C).
3. Insert the rear of the lift rod (B, Figure 11) into the bottom of the lift lever (A). Secure with a clip (C).

**Install Reflectors**

1. Install the two reflectors on the rear of the tractor seat deck.



**Figure 12. Normal Installation & Removal**

## REMOVAL

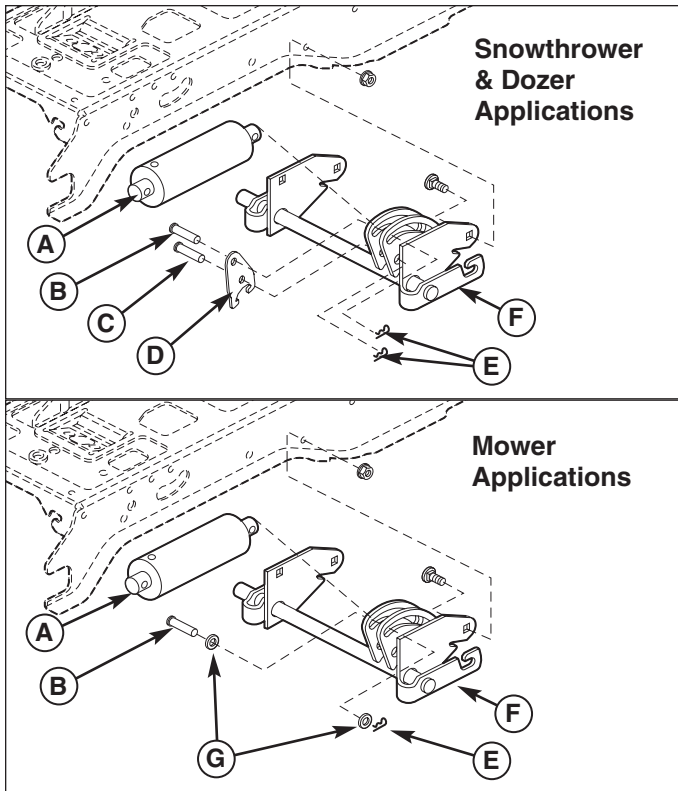
*NOTE: After removing components, reinstall the clevis pins and clips to prevent loss.*

1. Disconnect the lift rod from the attachment and lift lever extension (C, Figure 12).
2. Remove the clevis pin and clip from the lift lever (C) and remove the lift lever.
3. Remove the front hitch rod (A) and (B). Remove the hitch and hook (F).
4. Remove the lock plate (E) OR reposition the lift link (D) in mowing position.

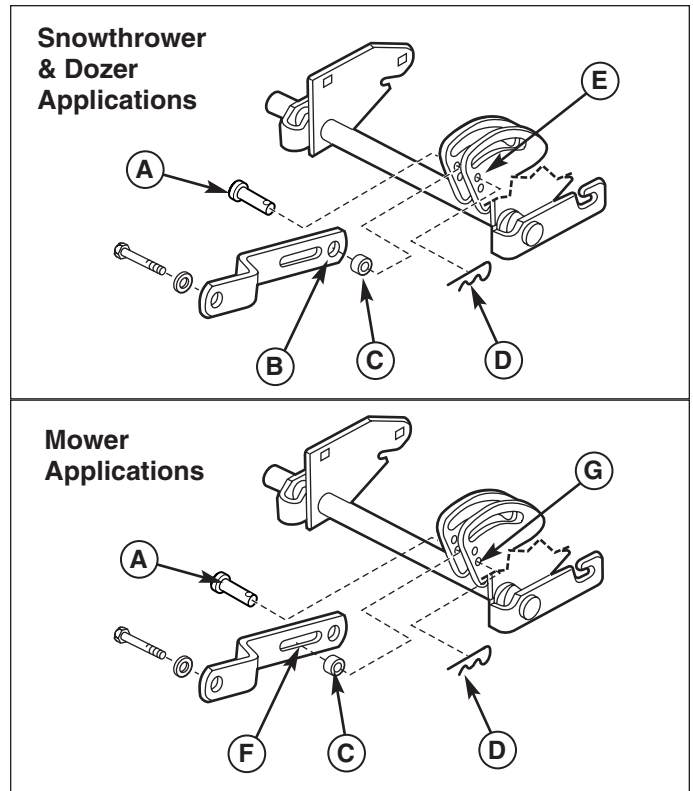
## NORMAL INSTALLATION

1. Insert the hook (F, Figure 12) into the back of the hitch. Mount the rear of the hitch on the lift cross-shaft.
2. Secure the front of the hitch to the J-hooks using the hitch rod (A) and (B) (Figure 9).
3. Install the downward pressure lock plate (E) OR place the lift link (D) in snowthrower position.
4. Install the lift lever extension (C).
5. Install the lift rod and attachment (Figure 11).





**Figure 13. Lift Lock Plate - Hydraulic Lift Models**  
 A. Lift Cylinder  
 B. Flat Head Pin (Original)  
 C. Flat Head Pin (New)  
 D. Lock Plate  
 E. Hair Pin Clips  
 F. Lift Shaft Assy.  
 G. Washers



**Figure 14. Lift Link - Manual Lift Models**  
 A. Pin  
 B. Rear Hole of Lift Bar (Snowthrower Applications)  
 C. Spacer  
 D. Hair Pin Clip  
 E. Upper Hole (Snowthrower Applications)  
 F. Slot of Lift Link (Mower Applications)  
 G. Lower Hole (Mower Applications)

## LIFT VARIATIONS WHEN USING ATTACHMENTS

When a front-mounted attachment such as a snowthrower or dozer blade is used with the tractor, the lift mechanism must be locked to provide downward force. When the mower is reinstalled the downward pressure lock must be released so that the mower can float.

### Hydraulic Lift Models

When using a snowthrower or dozer, the downward pressure lock plate (D, Figure 13) and an additional pin (C) is installed. These parts are included with the attachment. Note that the washers (G) are not used with the lock plate.

When mowing, the downward pressure lock plate (D) is removed and replaced with two washers (G). The additional pin (C) is also removed.

Fully lower the hydraulic lift. The lift assembly is spring loaded so it will need to be held in the down position to perform of the following procedures.

### Manual Lift Models

*NOTE: These instructions apply to Conquest / 1700 / 2700 Series tractors or Broadmoor / 1600 / 2600 Series tractors equipped with a lift lever kit.*

The lift link is installed differently depending on what attachment is being used. Refer to Figure 14 for link installation information.

