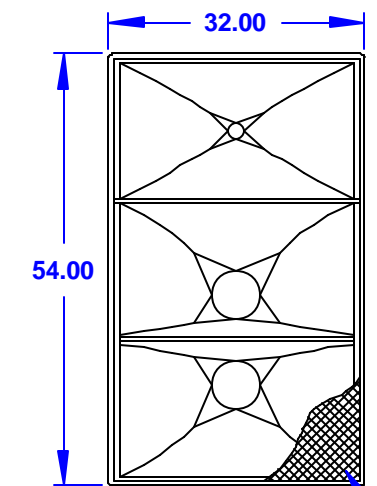
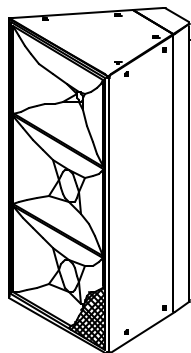


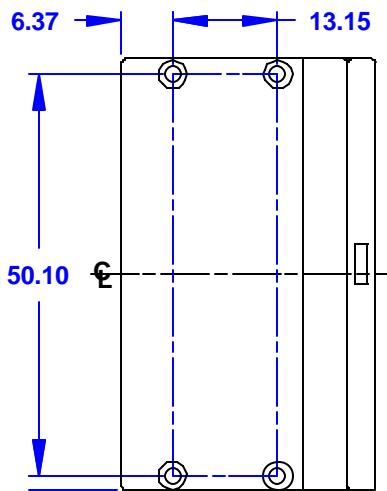
TOP
DIMENSIONS APPLY TO
TOP AND BOTTOM



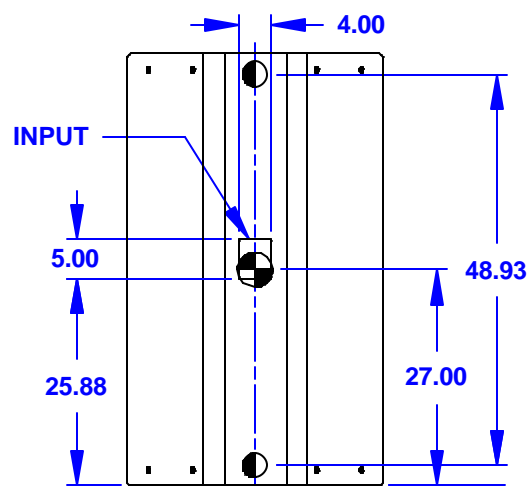
GRILL PARTIALLY SHOWN
FRONT



MQ2364e



VIEW A-A
DIMENSIONS APPLY TO
BOTH SIDES



BACK

REV	DESCRIPTION	APVD/DATE
A	RELEASED TO PRODUCTION, FROM REV 1 PER MCOWHT 1208 MELANIE 11/08/02	RAS 11/8/02

- NOTES:**
1. SYMBOL INDICATES MOUNTING POINT, 3/8-16 THREADED HOLE (PI ANGLE).
 2. SYMBOL INDICATES NON LOAD BEARING MOUNTING POINT, 3/8-16 THREADED HOLE (PI ANGLE).
 3. SYMBOL INDICATES CENTER OF BALANCE.
 4. WEIGHT APPROX. 217 LBS.
 5. SHIPPING WEIGHT APPROX. 241 LBS.

DOCUMENT CONTROL PER SPECIFICATION 4.5.201

<p>THIRD ANGLE PROJECTION</p>	<p>UNLESS OTHERWISE SPECIFIED: ALL DIMENSIONS ARE IN INCHES TOLERANCE IN INCHES .XX ± .13 ANGLES ± 1°</p> <p>(X.XX) - REF DIMS NO TOLERANCE IMPLIED</p> <p>T.S.C. - THEORETICAL SHARP CORNER DIMENSIONS ACROSS CENTERLINES TO BE SYMMETRICAL</p>	<p>STATUS: PRODUCTION</p>		<p>EA EASTERN ACOUSTICWORKS ONE MAIN STREET WHITINSVILLE, MA 01588 USA</p>
		<p>APPROVALS</p> <p>DRAWN: JRM</p> <p>CHECKED: RAS</p> <p>DES ENG: PAD</p> <p>MFG ENG: DBD/MD</p>	<p>DATE</p> <p>3/20/02</p> <p>11/8/02</p> <p>11/8/02</p> <p>11/20/02</p>	
<p>THIS DRAWING IS THE PROPERTY OF EAW AND SHALL NOT BE COPIED, REPRODUCED, OR USED AS THE BASIS FOR MANUFACTURE OR SALE OF APPARATUS WITHOUT WRITTEN AUTHORIZATION. DO NOT SCALE DRAWING.</p>			<p>A SHEET 1 OF 1</p>	<p>SCALE: 1 TO 24</p>
			<p>DRAWING NUMBER: 0002346</p>	<p>REVISION: A</p>

VELLUM