



EssentialWhite™
LED lighting for
everyday applications

*Interior cove, accent and
display lighting, light boxes
and other tight spaces*

ESSENTIALWHITE SERIES

An 80% energy savings over
the incandescent alternative*

Direct line voltage, energy efficient LED cove lighting

eW™ Cove Powercore is a compact LED linear fixture that provides an energy-saving alternative to traditional cove lighting.

Quick and easy installation

- Direct line voltage; no external power supply
- Standard installation and wiring; no transformer required
- Runs of up to 100 linear 12" units on a single circuit

Dimmable

- Compatible with commercially available line voltage (ELV-type) dimmers

The LED advantage*

- 80% energy savings
- 50,000 hour lifetime†
- One third the total cost of ownership

**Available in 2800K or 4200K color temperature;
12" (30.5 cm) and 6" (15.2 cm) lengths**

(* , † See back page for footnotes)

PHILIPS

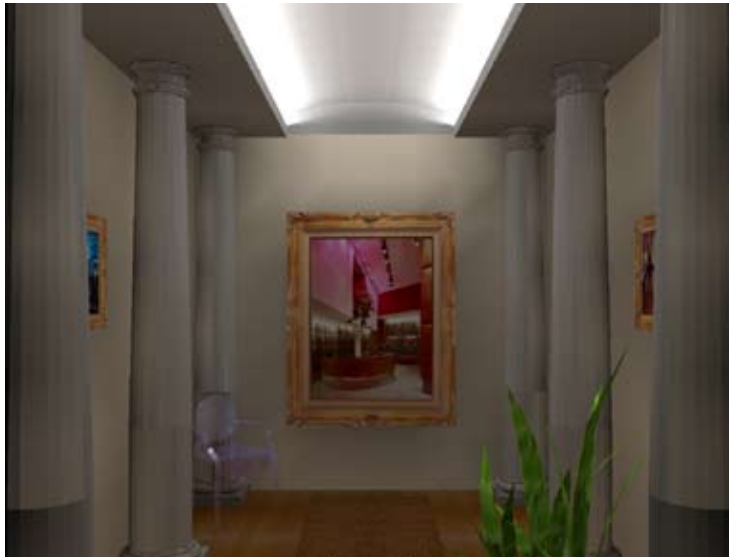
sense and simplicity

Typical applications for the eW Cove Powercore fixture include interior cove, accent and display lighting, light boxes and other tight spaces in retail, exhibit, hospitality and architectural settings.

The 4200K color temperature version of the eW Cove Powercore fixture at a 30° orientation (tilt) is used to generate the following renderings and point-to-point calculations for a typical vaulted cove application.

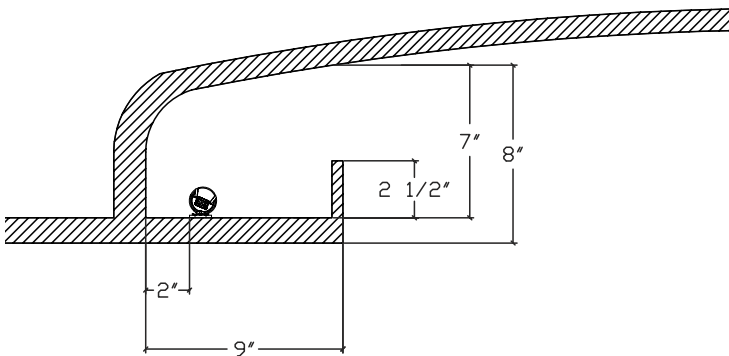
Application Rendering

Rendering of a room with vaulted cove lighting.



Section Diagram

This image represents the section through cove with dimensions. Typical application constraints apply.



Footnotes from front:

* Based on estimates when comparing eW Cove Powercore to an incandescent alternative having 30W/ft power consumption and a 3-year lamp lifetime. Lifetime based on a 24 hour/day of continuous use and a 50,000 hour LED lifetime.

† Based on LED manufacturers' test data.

Ordering, Electrical and Technical Data

Product Number	Voltage	Length	Color Temp. (Kelvin)
218453	120 VAC	12" (30.5 cm)	2800 K
218461	120 VAC	12" (30.5 cm)	4200 K
218479	120 VAC	6" (15.2 cm)	2800 K
218487	120 VAC	6" (15.2 cm)	4200 K
Portable Luminaires ¹			
218651	120 VAC	12" (30.5 cm)	2800 K
218677	120 VAC	12" (30.5 cm)	4200 K
218685	120 VAC	6" (15.2 cm)	2800 K
218701	120 VAC	6" (15.2 cm)	4200 K

¹ Products provided with a flexible cord and an attachment plug for connection to a nominal 120 V, 15 or 20 A branch circuit and intended for use in accordance with ANSI/NFPA 70, "National Electrical Code" (NEC). Source: www.UL.com

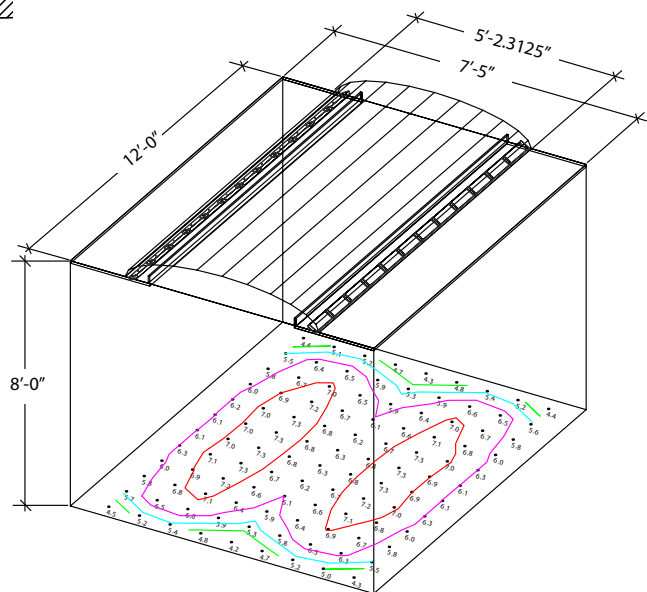
Above specifications subject to change without notice

Accessories for eW Cove Powercore

Use one leader cable to connect line power to a series of fixtures. Each leader cable includes a terminator that must be installed in the last fixture in the series. Jumper cables and tracks are optional. Please see website for more details.

Isometric View

Below is an isometric wireframe view of the room with the vaulted cove and the general room dimensions featured in the rendering above. The point-to-point values are shown on the floor and spaced at 1' on center.



© 2008 Philips Lighting Company. All rights reserved. eW and EssentialWhite are trademarks of Philips Electronics N.A. in the U.S. and other countries.

Printed in USA 4/08

P-5933

www.philips.com

Philips Lighting Company
200 Franklin Square Drive
P.O. Box 6800
Somerset, NJ 08875-6800
1-800-555-0050

A Division of Philips Electronics North America Corporation

Philips Lighting
281 Hillmount Road
Markham, Ontario
Canada L6C 2S3
1-800-555-0050

A Division of Philips Electronics Ltd.