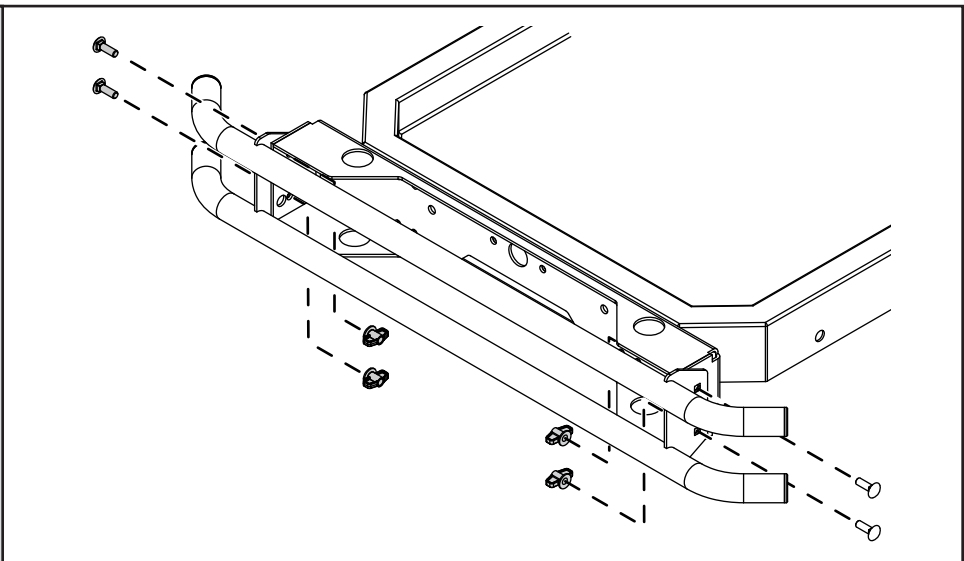
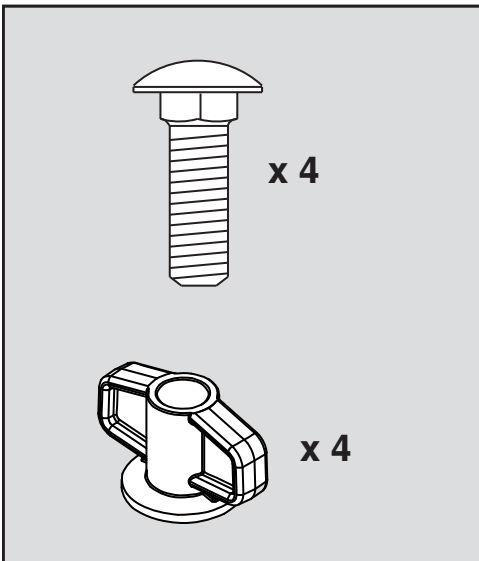
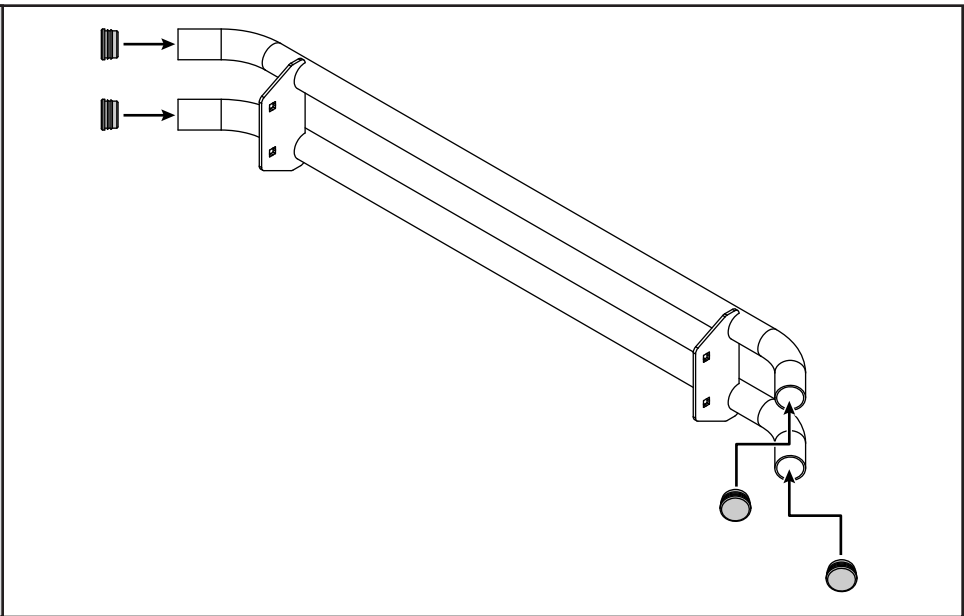
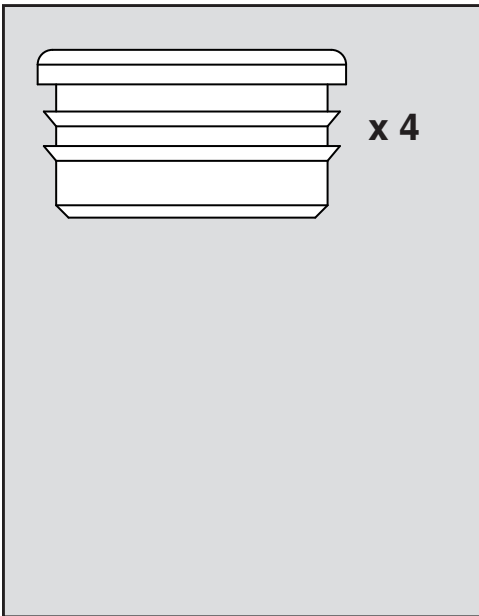
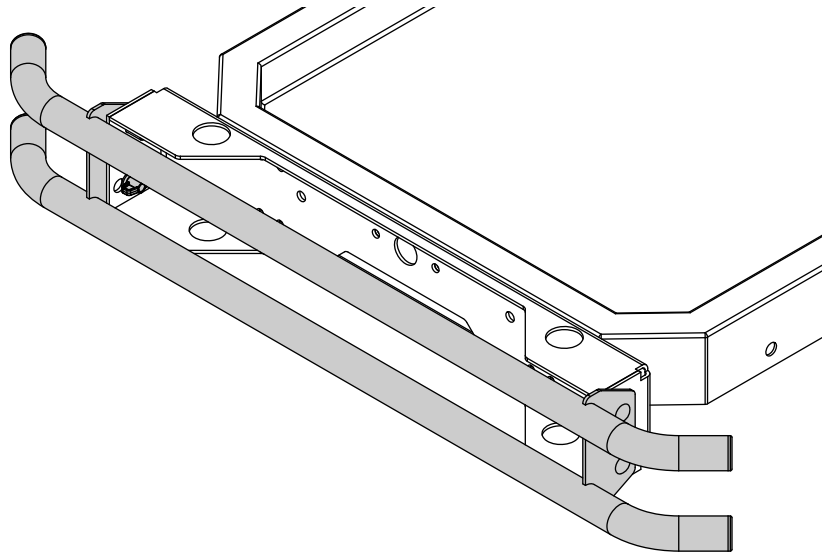
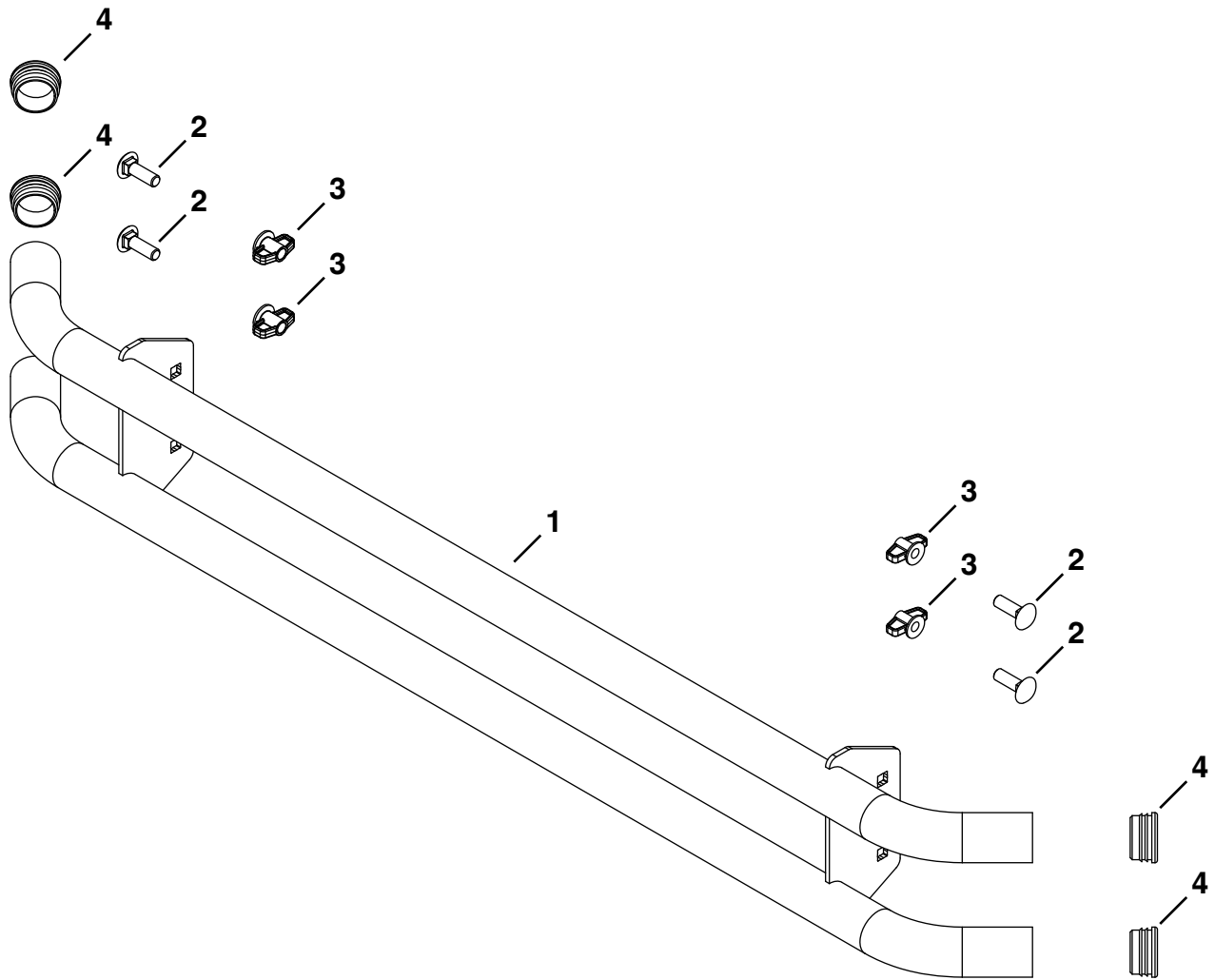


**Model No.  
45-0461**

**BUMPER**



# REPAIR PARTS FOR 45-0461 BUMPER



REF	QTY	PART NO	DESCRIPTION	REF	QTY	PART NO	DESCRIPTION
1	1	66344	Bumper	4	4	47674	Plug
2	4	44326	Carriage Bolt, 5/16-18 x 1"		1	40980	Owners Manual
3	4	712-0421	Plastic Wing Nut, 5/16-18				