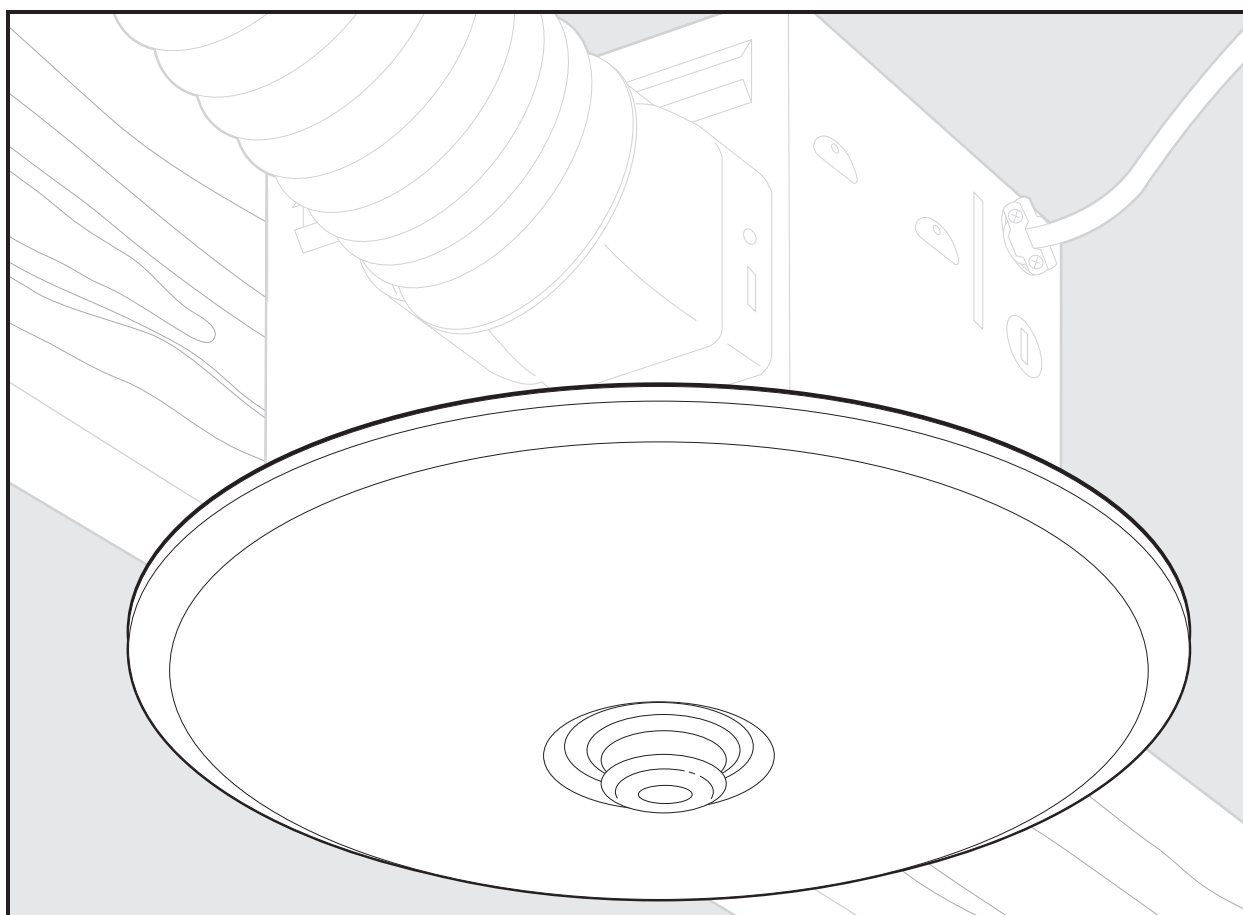




SINCE

1886

I n s t a l l a t i o n   G u i d e



**81004 Ventura Bath Ventilator Fan With Light**  
**READ and SAVE THESE INSTRUCTIONS**

# ⚠️ WARNING

## TO REDUCE THE RISK OF ELECTRIC SHOCK OR INJURY, OBSERVE THE FOLLOWING:

1. Use this unit only in a manner intended by the manufacturer. If you have questions, contact the manufacturer at the phone number or address listed in the warranty.
2. Before installing, servicing, or cleaning the unit, disconnect the power by turning off the circuit breakers to the outlet box and associated wall switch location. If you cannot lock the circuit breakers in the off position, securely attach a prominent warning device, such as a tag, to the service panel.
3. Installation work and electrical wiring must be done by qualified person(s) in accordance with all applicable codes and standards, including fire-rated construction codes and standards.
4. Sufficient air is needed for proper combustion and exhausting of gasses through the flue (chimney) of fuel burning equipment to prevent backdrafting. Follow the heating equipment manufacturer's guideline and safety standards, such as those published by the National Fire Prevention Association (NFPA), and the American Society for Heating, Refrigeration and Air-Conditioning Engineers (ASHRAE), and the local code authorities.
5. When cutting or drilling into wall(s) or ceiling, do not damage electrical wiring or other hidden utilities.
6. Ducted fans must always be vented to the outdoors. Keep ducting as short and as straight as possible.
7. Acceptable for use over a bathtub or shower when connected to a GFCI protected branch circuit.
8. Install fan at least 5 feet (1.52 m) above the floor.
9. Never place a switch where it can be reached from a tub or shower.
10. This unit must be grounded.

# ⚠️ CAUTION

1. For general ventilating use only. Do not use for ventilating hazardous or explosive materials.
2. To avoid motor bearing damage and noisy/unbalanced impellers, keep drywall spray, construction dust, etc. off power unit.
3. DO NOT install this product in a wall. This product is designed for installation in ceilings up to a 12/12 pitch (45 degrees). Ductwork must point upward.
4. Please read specification label on product for further information and requirements.

# ⚠️ WARNING

**DISCONNECT  
ELECTRIC  
POWER SUPPLY  
AND LOCK OUT  
SERVICE PANEL  
BEFORE  
SERVICING UNIT**

## PREVENTATIVE MAINTENANCE

A clean fan provides better service. Disconnect the power supply and clean the fan as listed below.

**TO CLEAN GRILLE:** Use a mild detergent, such as dishwashing liquid, and a soft cloth. DO NOT use abrasive cloths, steel wool pads or scouring powders.

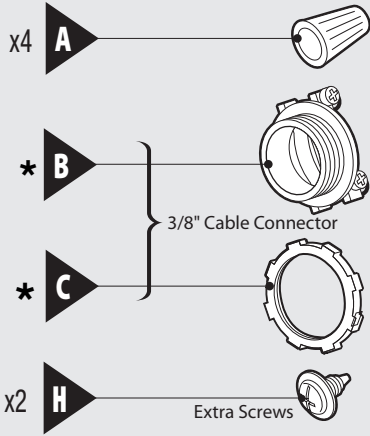
**TO CLEAN FAN ASSEMBLY:** Unplug motor cord from receptacle. To remove motor plate, find the single tab on the motor plate (located next to the receptacle). Push up rear motor plate tab while pushing out on the side of the housing or insert a screwdriver into the slot in the housing (next to tab) and twist screwdriver. Gently vacuum fan, motor and interior of housing.

**METAL AND ELECTRICAL PARTS SHOULD NEVER BE IMMersed IN WATER.**

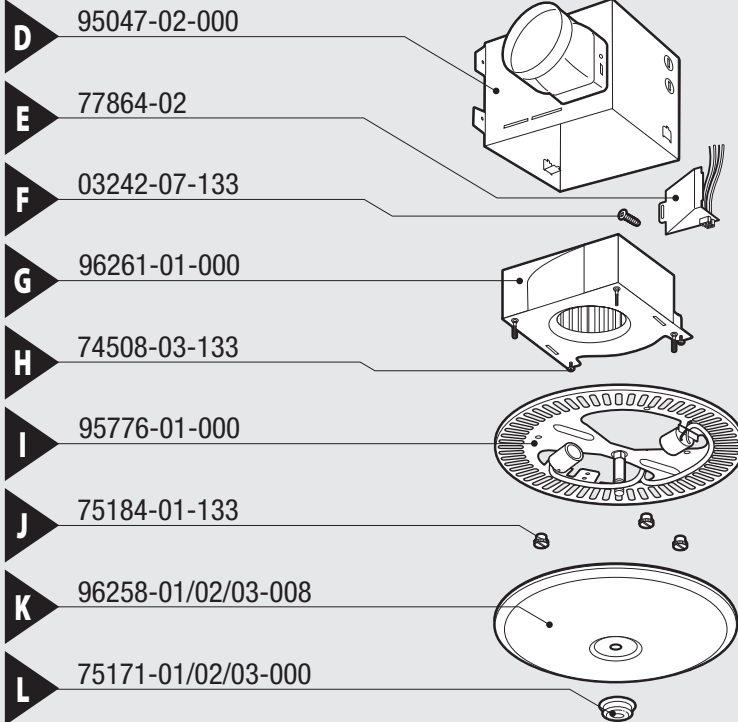
## MAINTENANCE

The motor is permanently lubricated and never needs oiling. If the motor bearings are making excessive or unusual noises, replace the motor with the exact service motor. You should replace the impeller at the same time.

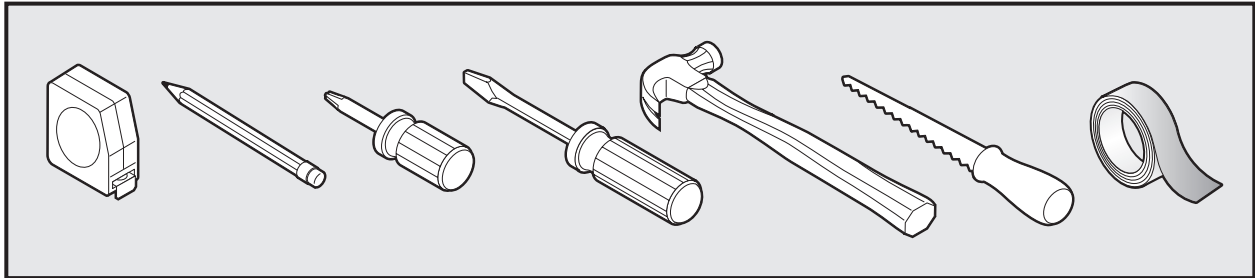
**Check all the parts.  
If damaged, call  
1-888-830-1326  
for replacements.**



**\* NOTE:** Strain relief cable connector must be installed. Not Included.



**Included.**

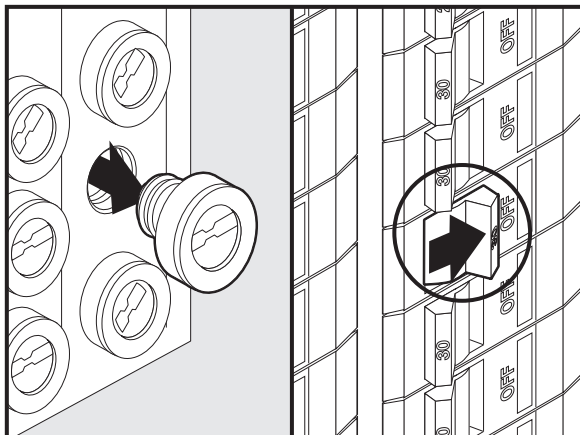


**Tools Needed. (Not supplied.)**

**Estimated assembly time: 30 to 60 minutes**

## Before Installation

**NOTE:** Remove all packing materials before installation

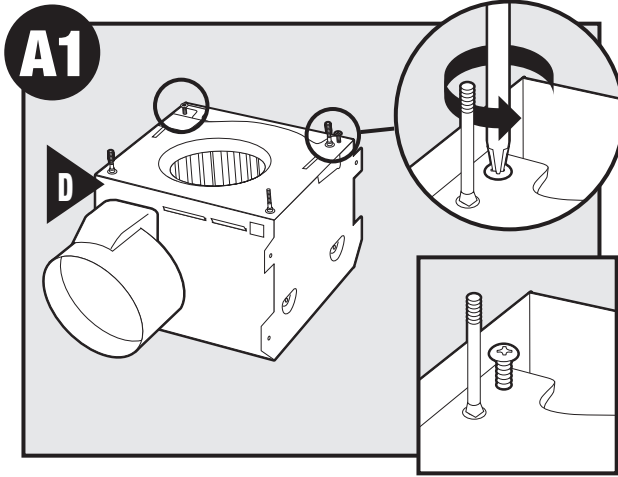


**Turn off the power source.**

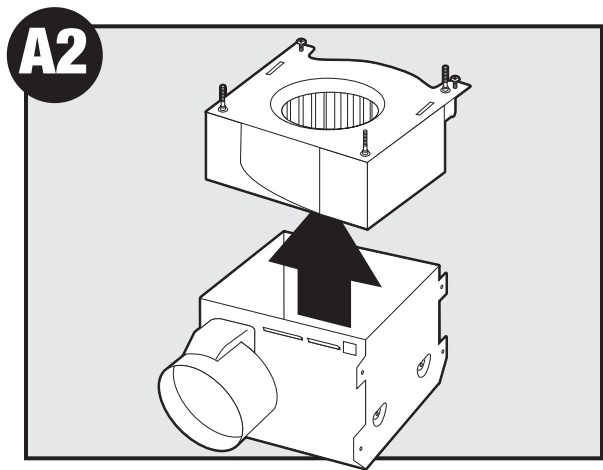
**New construction installation  
Go to Step A1, page 4**

**Existing construction  
Go to Existing Construction Installation,  
page 8**

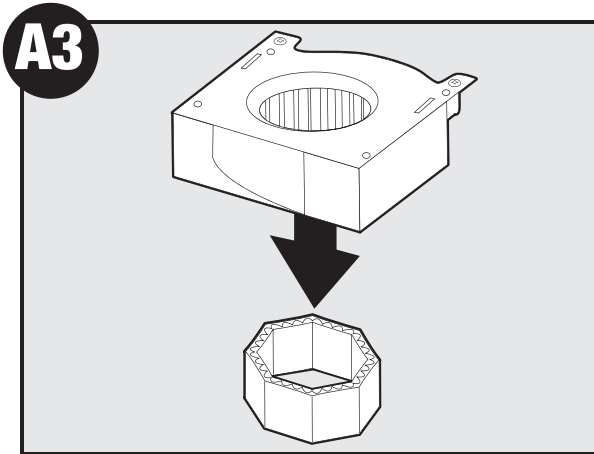
## New Construction Installation



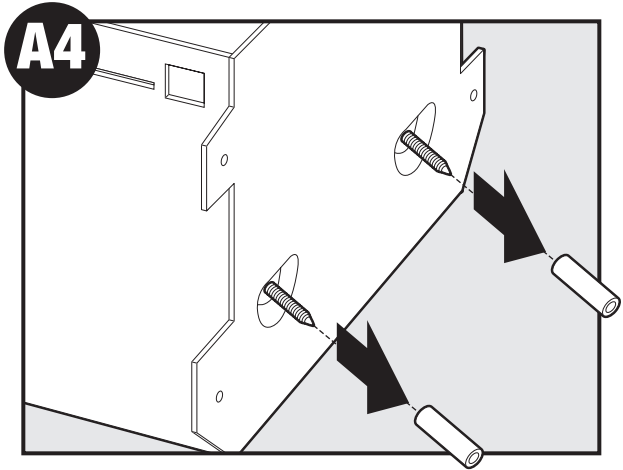
Loosen screw securing motor.



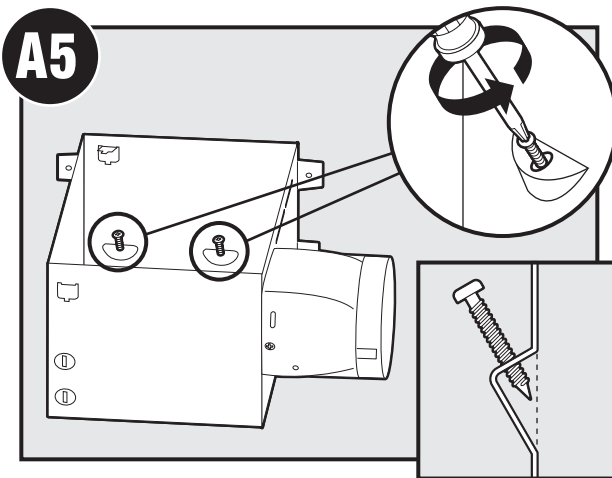
Remove the motor/blower from the housing.



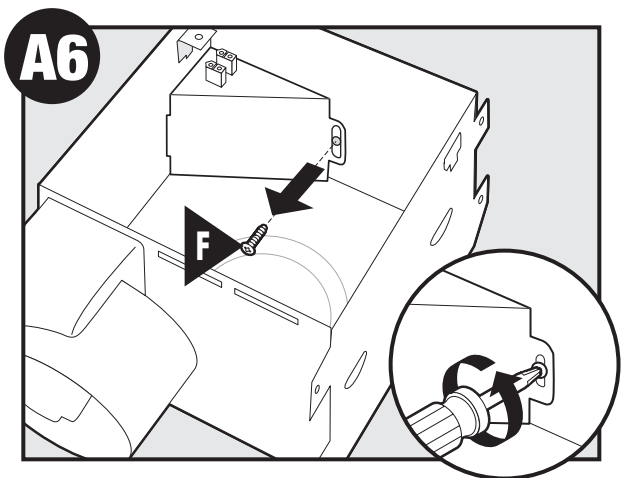
Remove packing material.



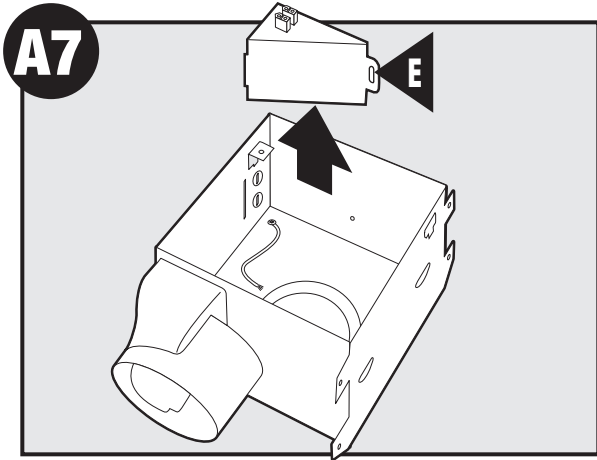
Remove the pre-loaded screw tip covers.



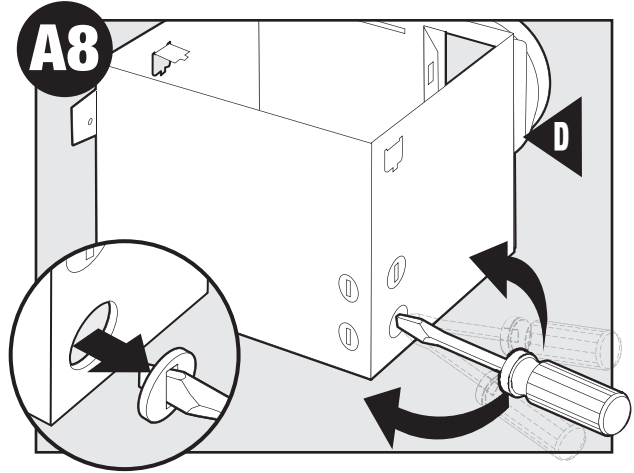
Back out the pre-loaded screw tips until flush with the side of the housing.



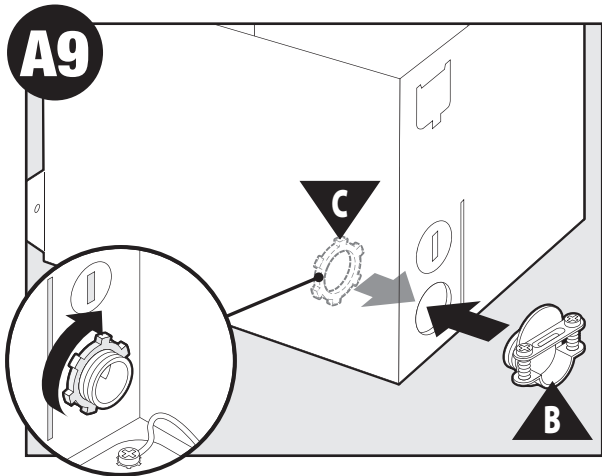
Remove the wiring cover screw.



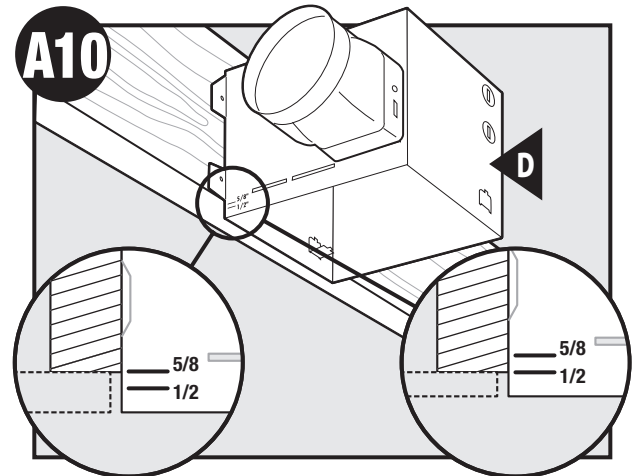
**A7**  
Remove the wiring cover.



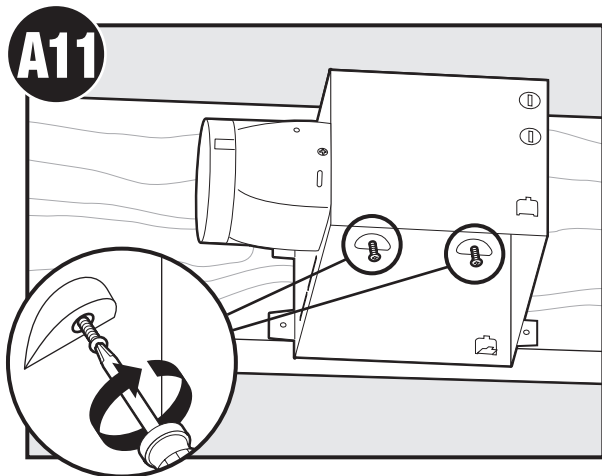
**A8**  
Pop out the first wiring access slug. Use second if needed.



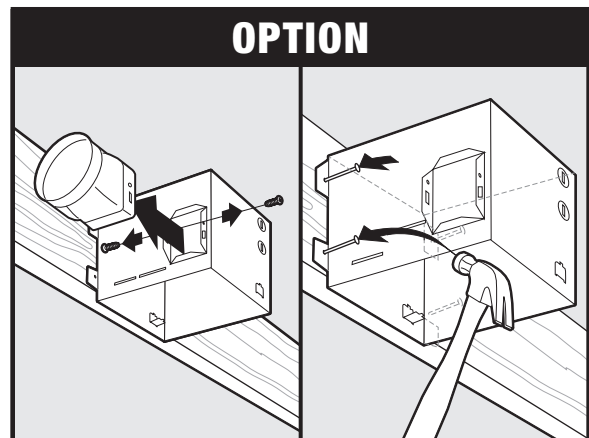
**A9**  
Insert the strain relief into the housing and secure with the washer.



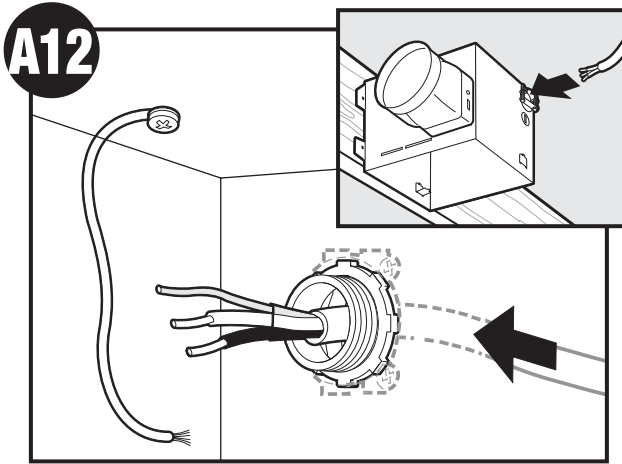
**A10**  
Position the correct depth mark at the bottom edge of the joist—based on the thickness of your sheet rock.



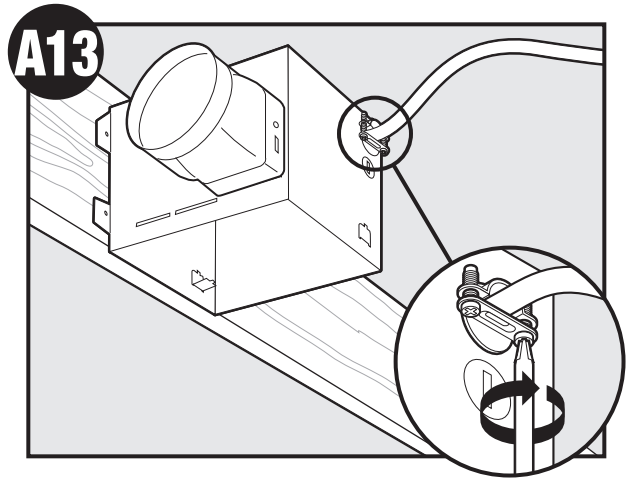
**A11**  
Screw pre-loaded screws into joist or framing.



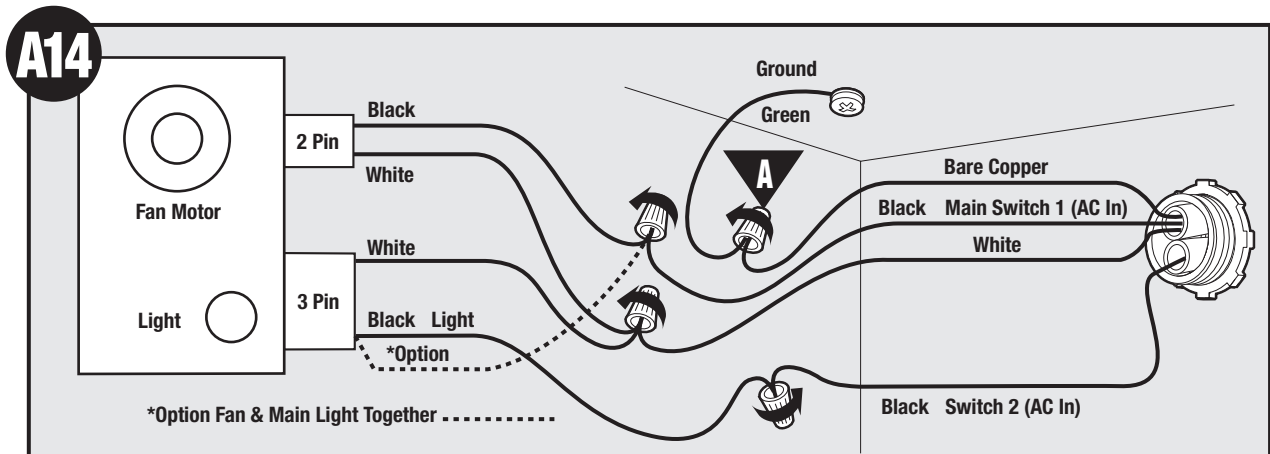
**OPTION**  
Nail the tabs on both sides to joist or framing so that the housing will be flush with the finished ceiling. (Nails are not provided.)



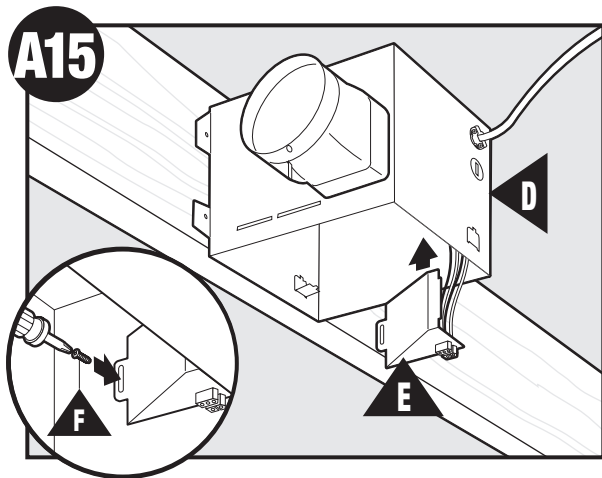
**A12** Pull the wires through the strain relief.



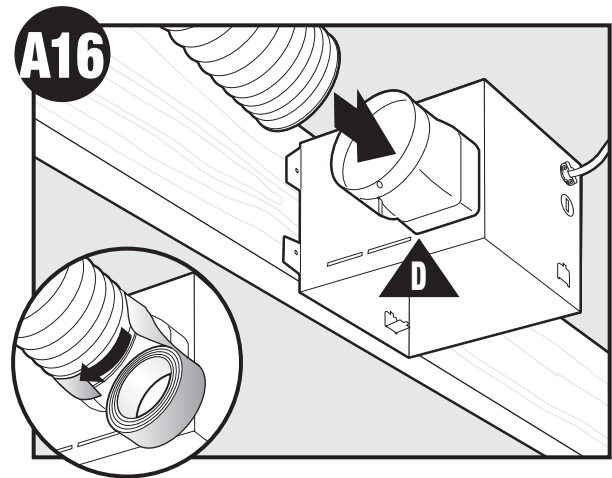
**A13** Tighten the strain relief screws.



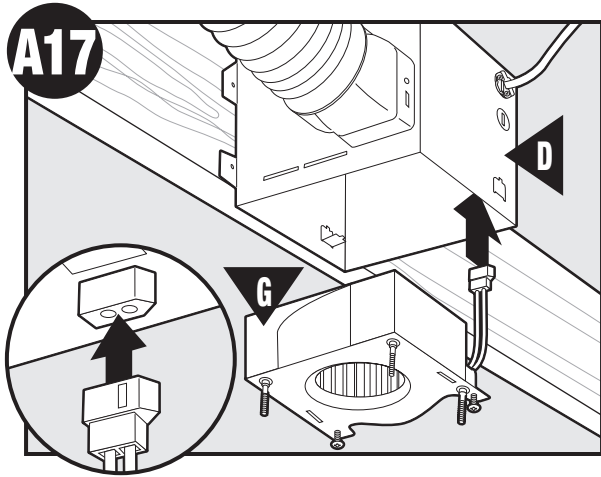
**A14** Connect wires as shown.



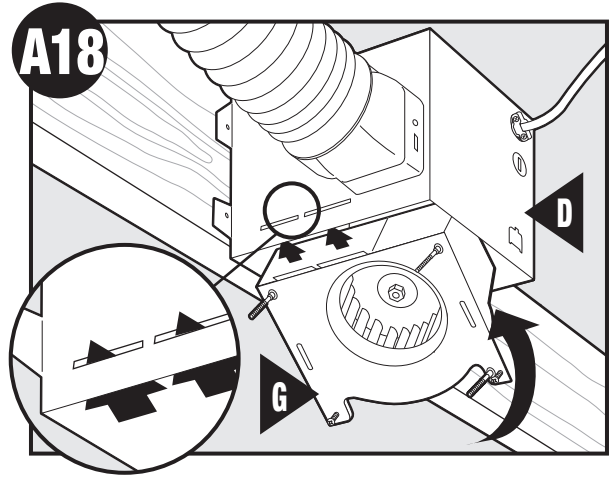
**A15** Install the wiring cover plate. Make sure all wiring connections are inside the box or under the wiring cover plate.



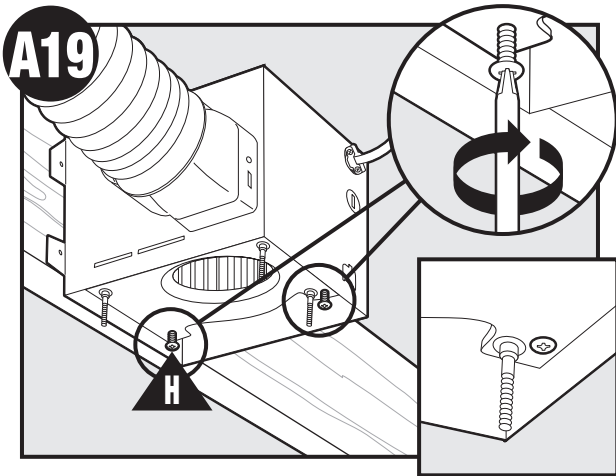
**A16** Connect a 4" duct and vent to the outside. Tape joints. If ducting does not fit securely, an adapter may need to be purchased.



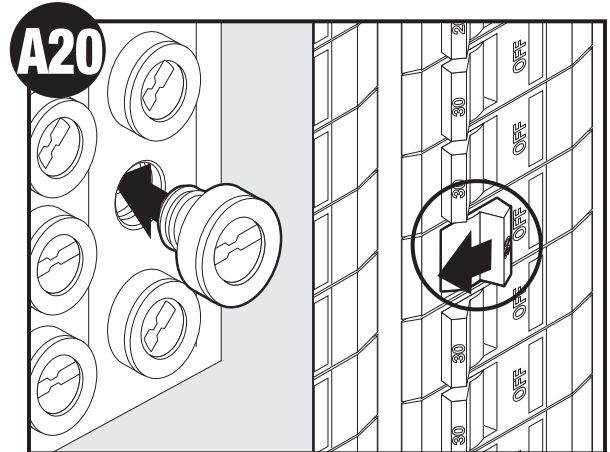
Connect wiring from the motor to the wiring cover plate.



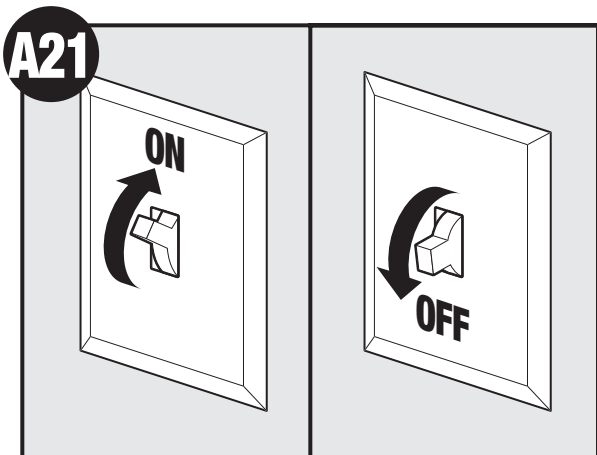
Reinstall the motor by inserting the tabs and pushing up into position. Make sure the wires are not pinched between the motor and the housing.



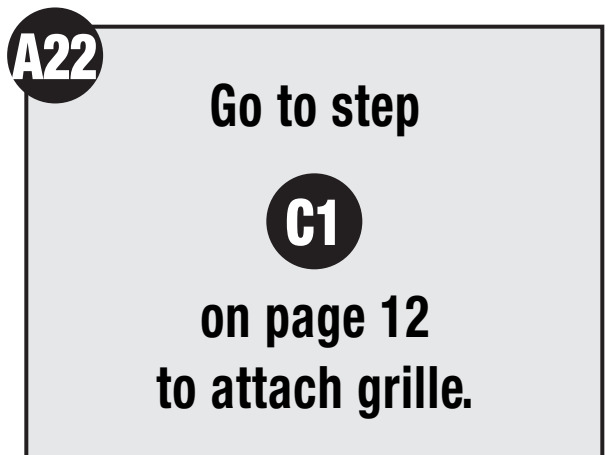
Secure the motor by tightening the 2 screws.



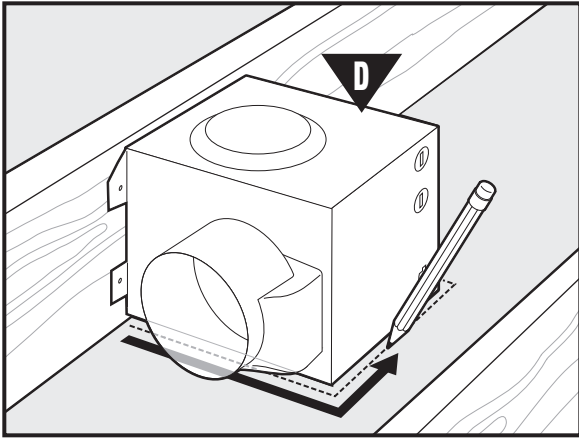
Turn on the power source.



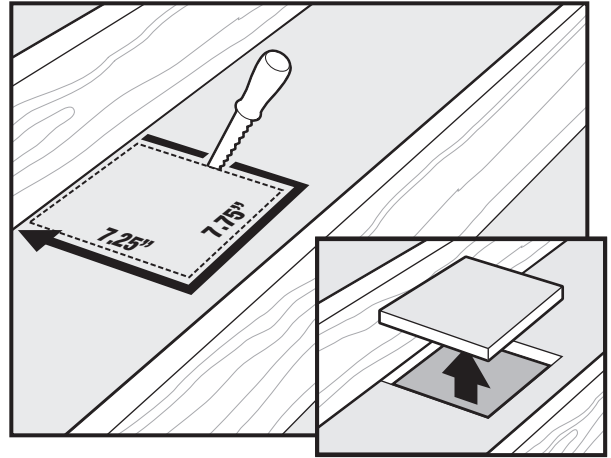
Test the motor. If the motor does not run, check the plug connection.



## Existing Construction Installation

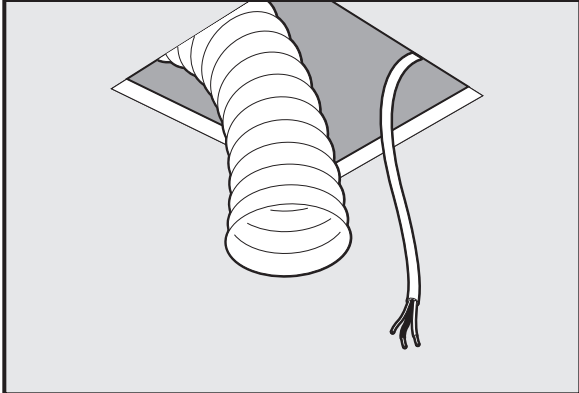


Use the motor housing as a template to mark position.

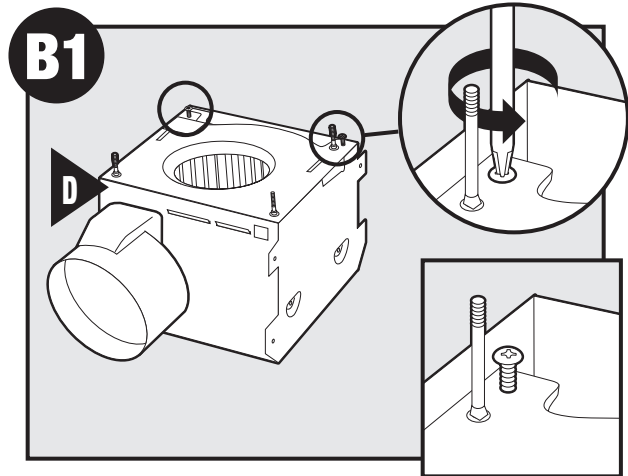


Cut out an opening for the housing.

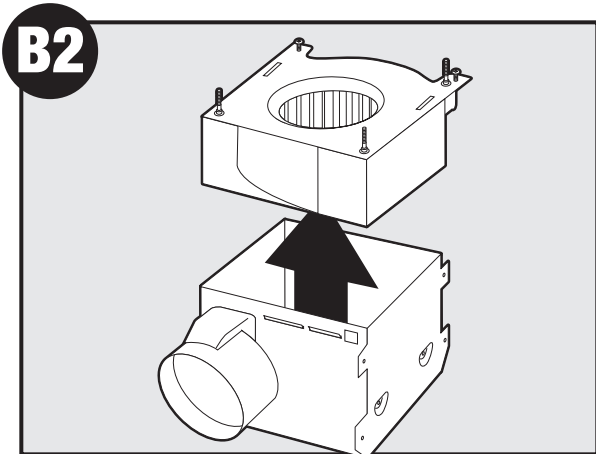
### Existing Fan



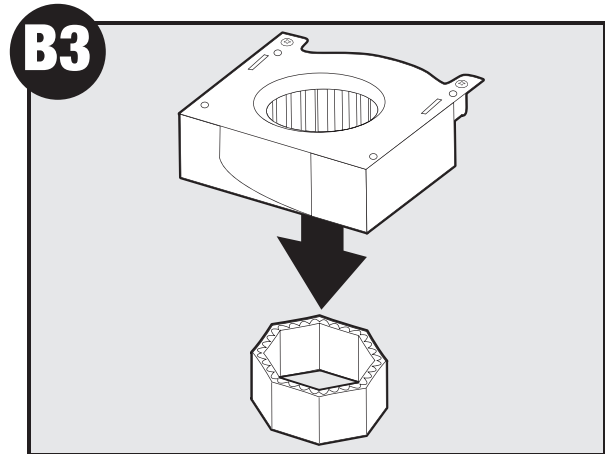
Remove the existing fan and check to make sure the opening is large enough to accommodate the new motor housing (7.25" x 7.75").



Loosen screw securing motor.

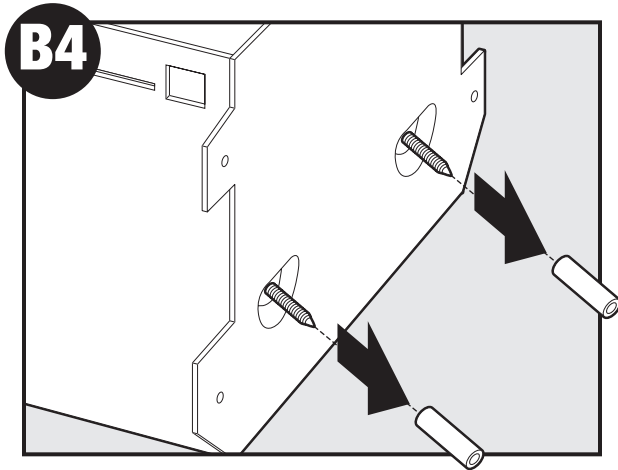


Remove the motor/blower from the housing.

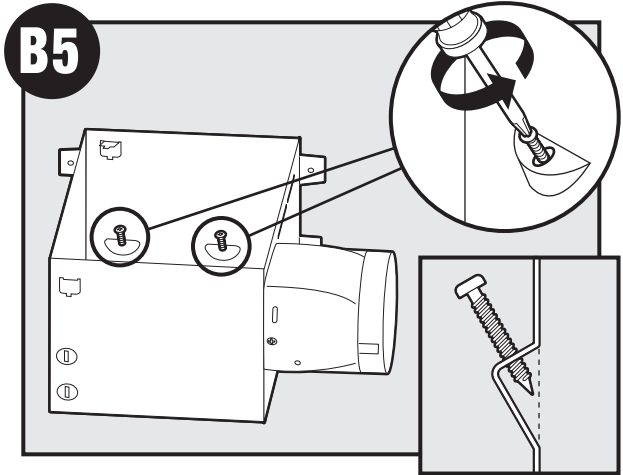


Remove packing material.

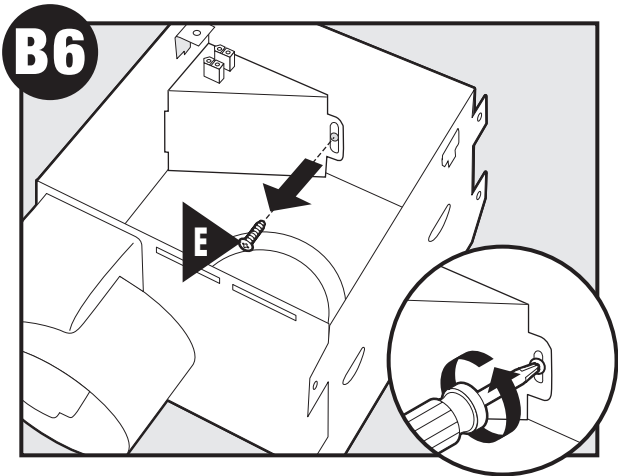




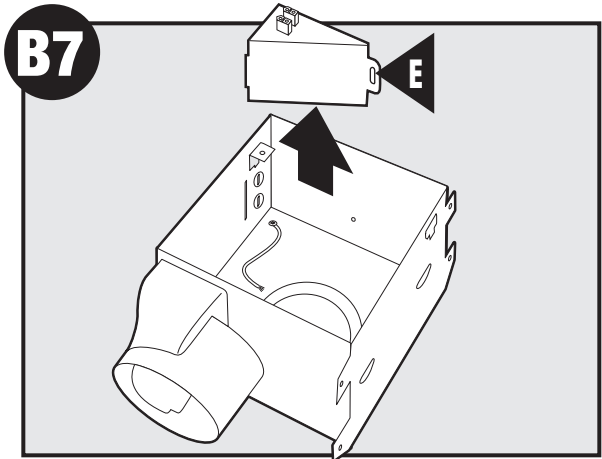
**B4** Remove the pre-loaded screw tip covers.



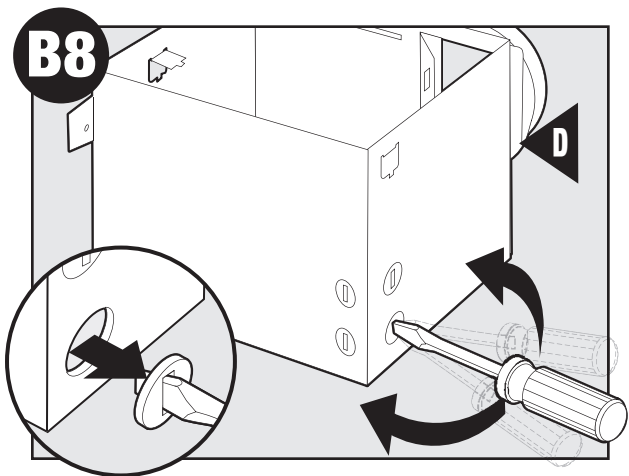
**B5** Back out the pre-loaded screw tips until flush with the side of the housing.



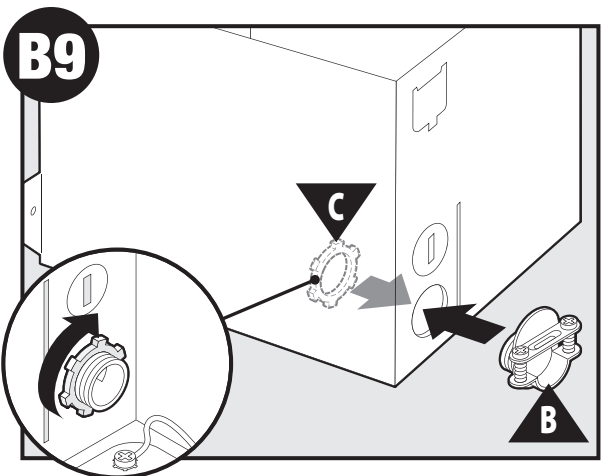
**B6** Remove the wiring cover screw.



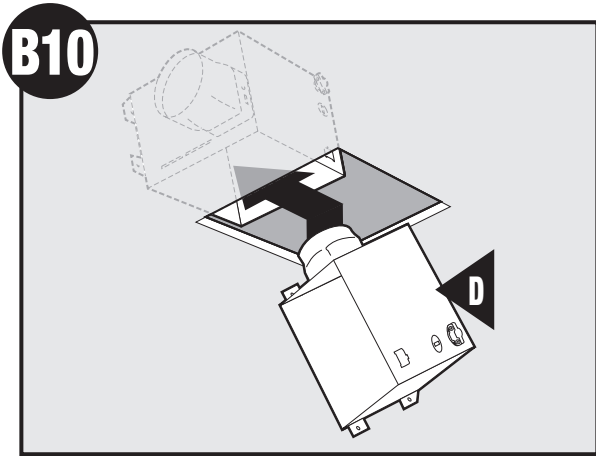
**B7** Remove the wiring cover.



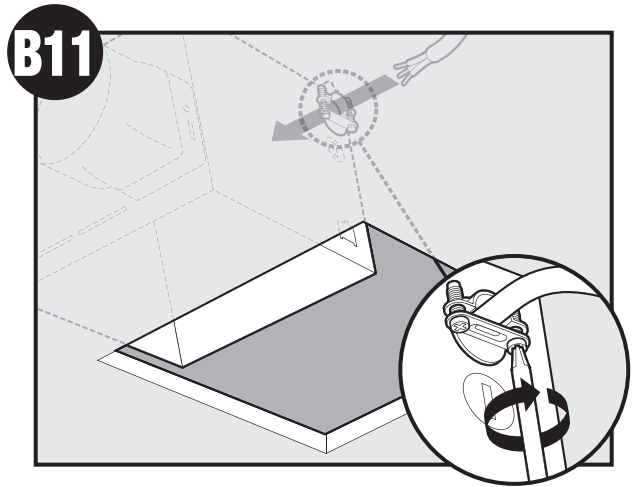
**B8** Pop out the first wiring access slug. Use second if needed.



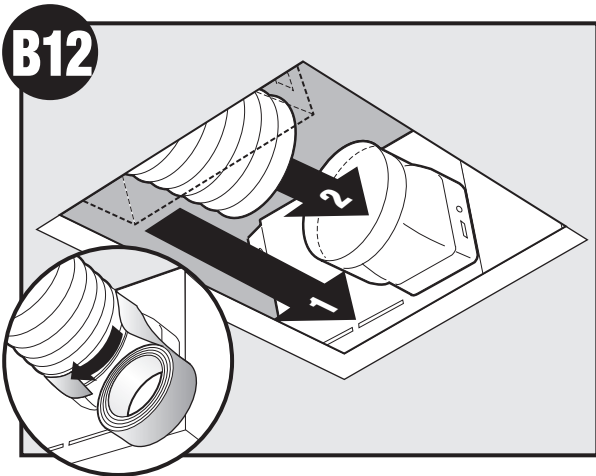
**B9** Insert the strain relief into the housing and secure with the washer.



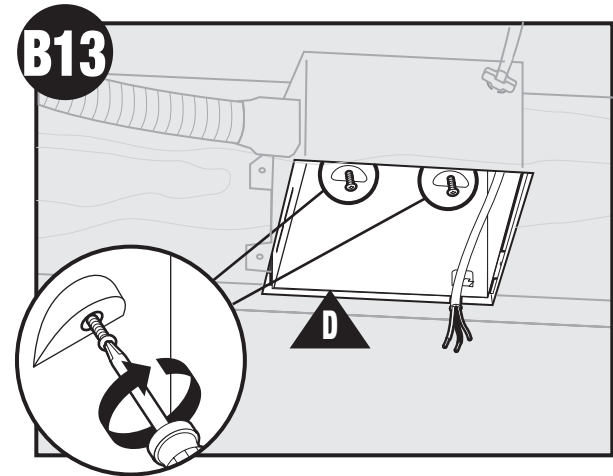
Move the housing into position above the ceiling.



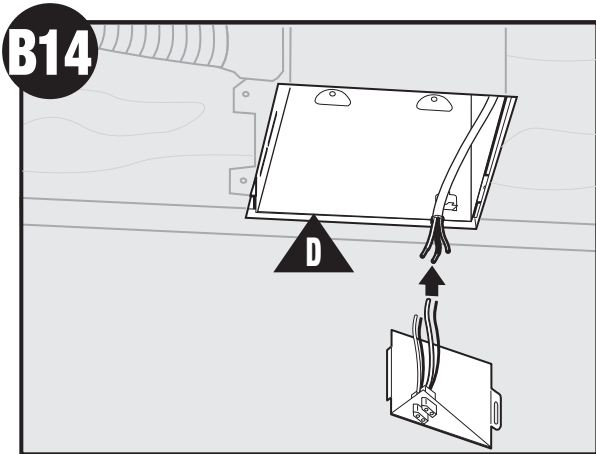
Pull the wires through the strain relief and tighten the strain relief screws.



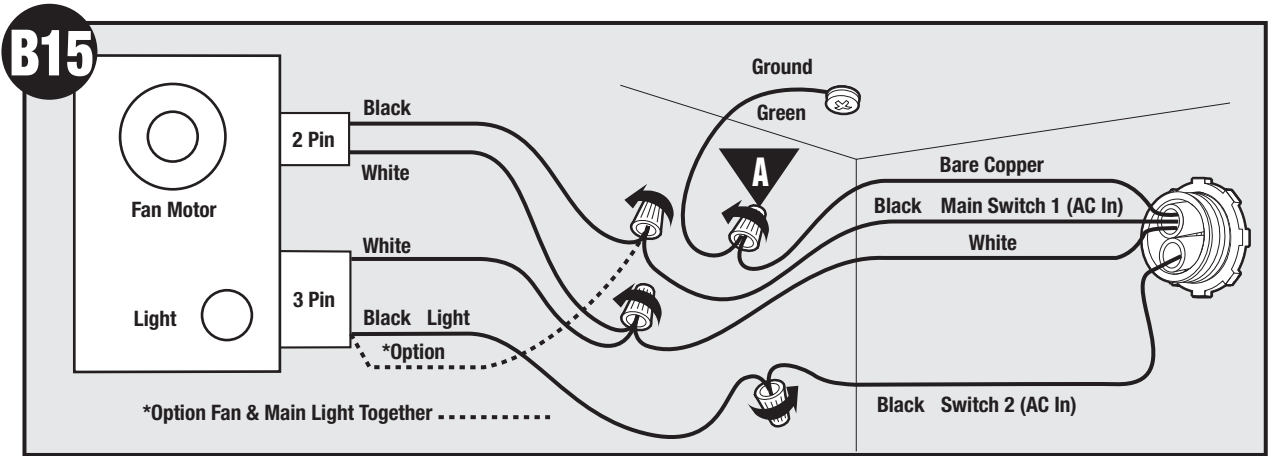
Attach existing ducting to duct connector. Tape joints. If ducting does not fit securely, an adapter may need to be purchased.



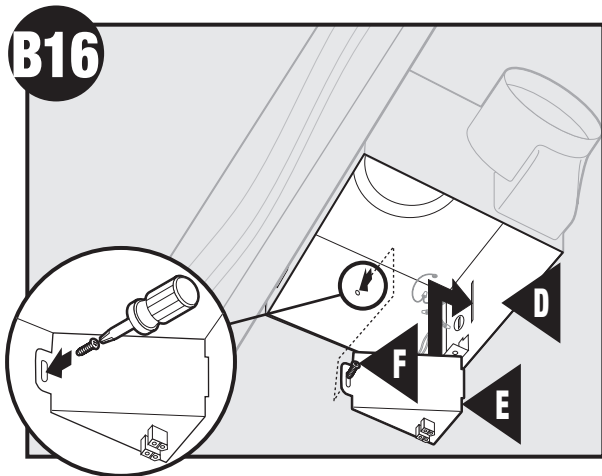
Fit housing into the opening and secure by tightening the pre-loaded screws into the joist. Note: Install the box flush with the sheetrock (ceiling).



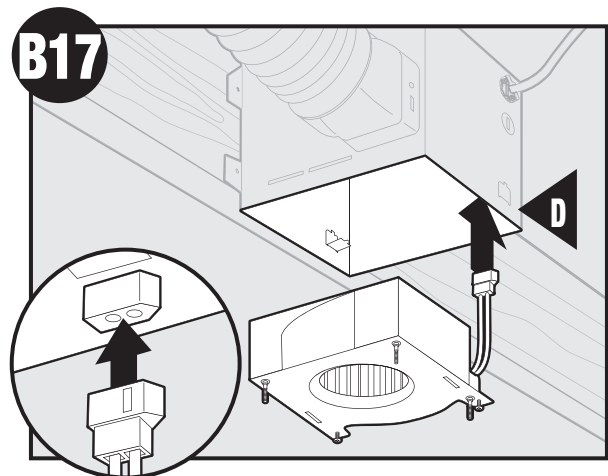
Connect the wiring.



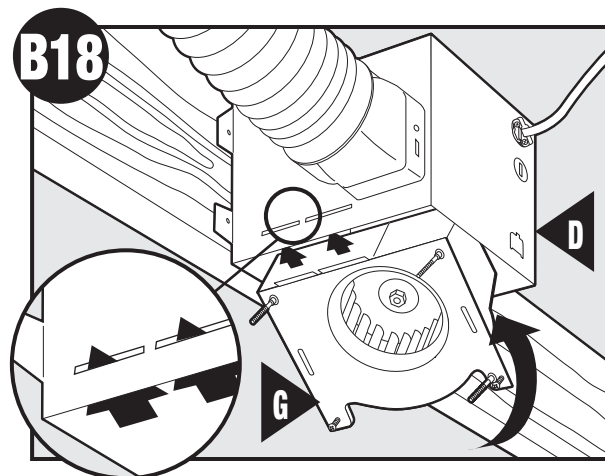
Connect wires as shown.



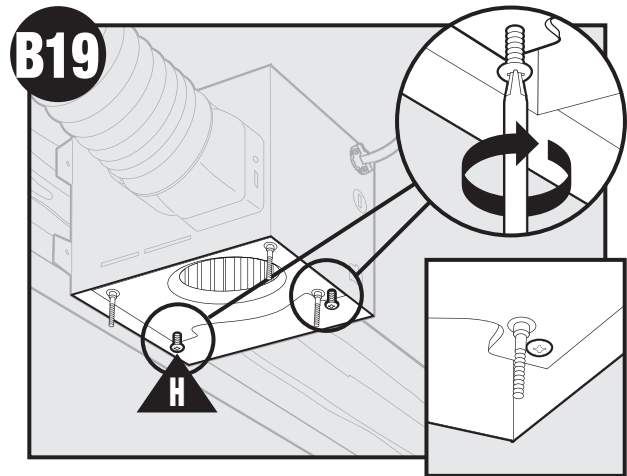
Install the wiring cover plate. Make sure all wiring connections are inside the box or under the wiring cover plate.



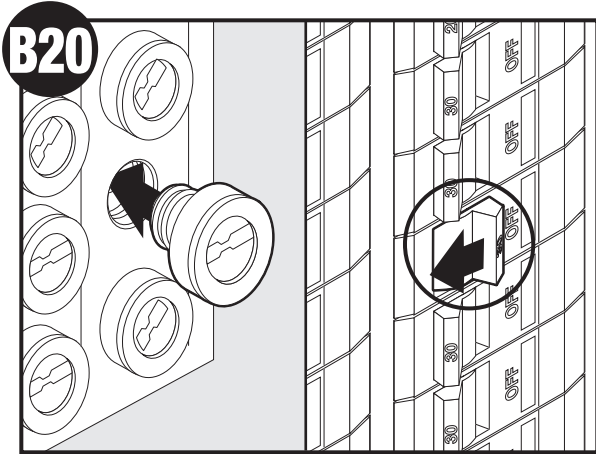
Connect wiring from the motor to the wiring cover plate.



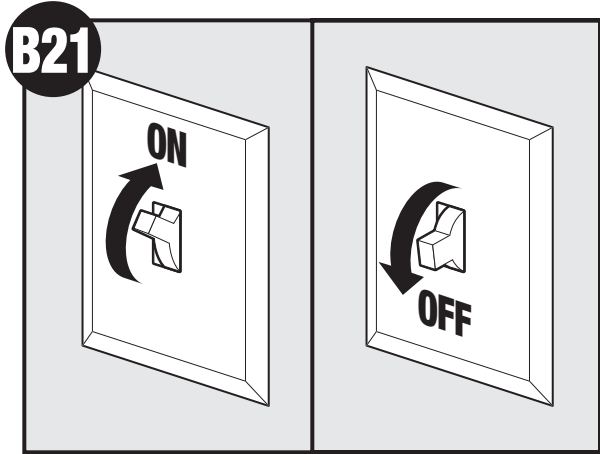
Reinstall the motor by inserting the tabs and pushing up into position. Make sure the wires are not pinched between the motor and the housing.



Secure the motor by tightening the 2 screws.



Turn on the power source.



Test the motor. If the motor does not run, check the plug connection.

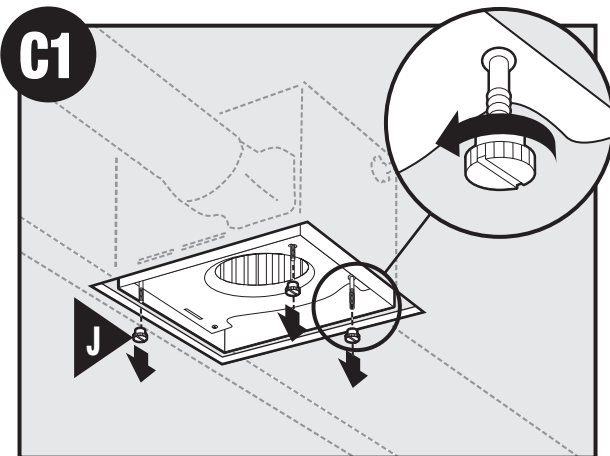
**B22**

Go to step

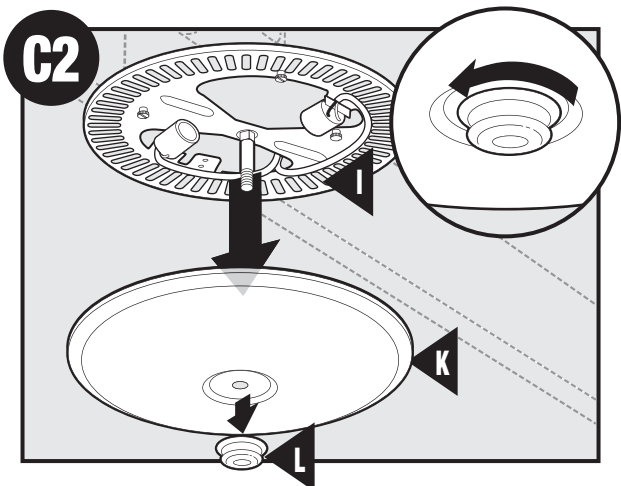
**C1**

to attach grille.

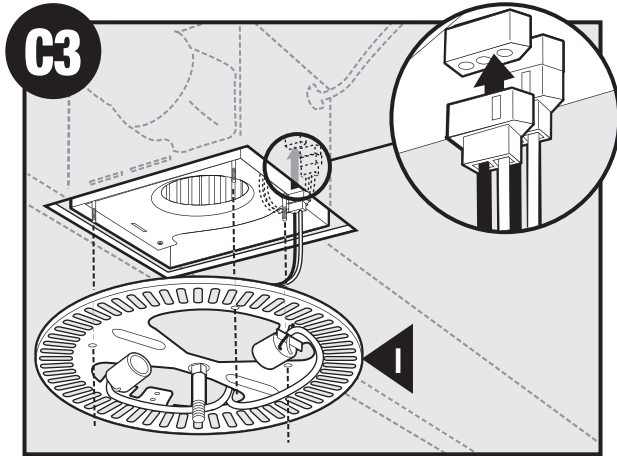
### Attaching the Grille



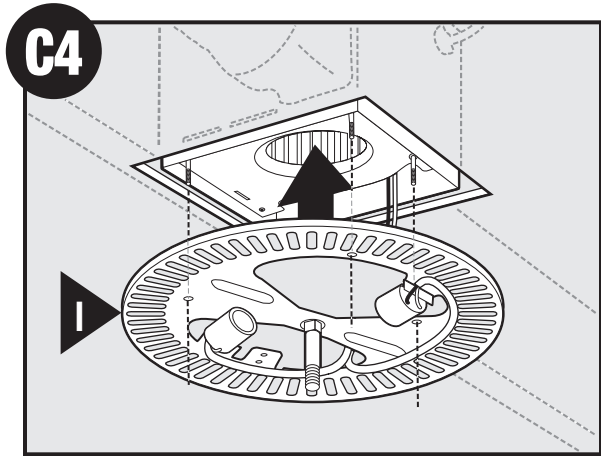
Remove the thumbscrews.



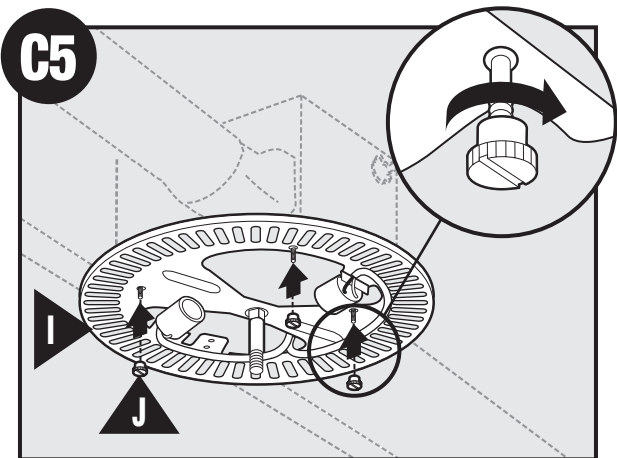
Remove glass dome.



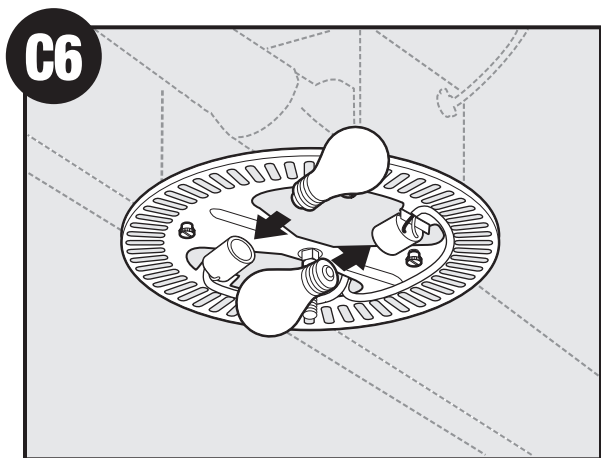
**Connect wiring harness.**



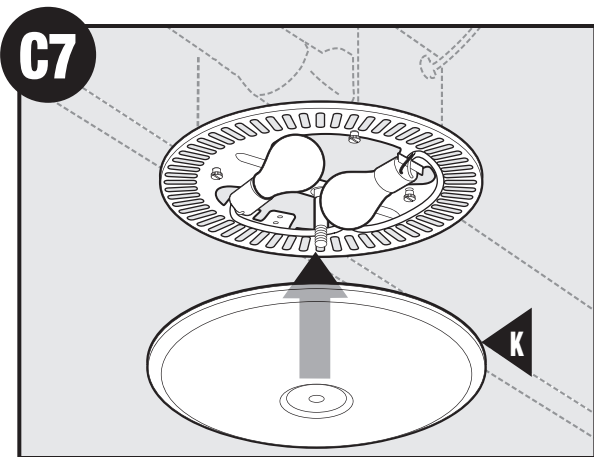
**Slide light mount over posts.**



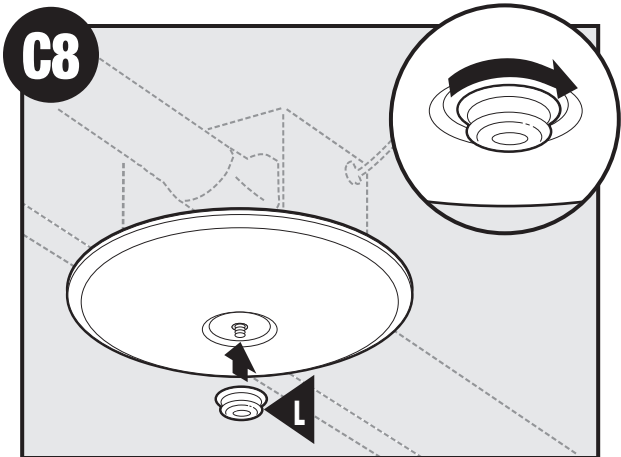
**Attach thumbscrews.**  
**WARNING: To reduce the risk of electrical shock, all 3 thumbscrews MUST be properly installed.**



**Install 2 Max 60 Watt A15 bulbs (Not Included).**



**Align glass dome and push up.**



**Screw glass dome into position.**

## Trouble Shooting

**Problem:** Fan does not come on.

**Solution:**

- Hunter Fan Bath Ventilators are extremely quiet. To confirm that the fan is running, place your hand near the vents to feel the air movement.
- Turn power on, replace fuse, or reset breaker.
- Check all plug connections to be sure they are secure.
- Check the wiring to make sure it matches the wiring diagram.

**Problem:** Light does not come on.

**Solution:**

- Replace the light bulb with a new bulb.
- Turn power on, replace fuse, or reset breaker.
- Check all plug connections to be sure they are secure.
- Check the wiring to make sure it matches the wiring diagram.

**Problem:** Fan is noisy.

**Solution:**

- Check and tighten all fasteners.
- Check the glass to make sure it is secure.
- Check the flapper to make sure it moves freely.

If you need parts or service assistance, please call 888-830-1326 or visit us at our WEB site at <http://www.hunterfan.com>.

## Warranty

Hunter Fan Company  
Bath Exhaust Fan  
LIMITED WARRANTY

Hunter Fan Company makes the following limited warranty to the original user or consumer purchaser of this Hunter bath exhaust fan:

If any part of your Hunter bath exhaust fan (except for glass fixtures and light bulbs) fails at any time within one year after the date of sale to you due to a defect in material or workmanship, we will repair or, at our option, replace the defective part free of charge for parts and labor performed at our nearest service center or at our Service Department in Memphis, Tennessee. After this one-year period, you will be responsible for all parts and labor costs for repairs on the bath exhaust fan except for motor repairs as provided below.

If your Hunter bath exhaust fan motor fails at any time within five years after the date of sale to you due to a defect in material or workmanship, labor and materials to repair the defect will be provided free of charge at our nearest service center or our Service Department in Memphis, Tennessee. If no replacement part can be provided, we will, at our option, either refund the actual purchase price of your bath exhaust fan or provide a replacement free of charge. After this five-year period, you will be responsible for all parts and labor costs for repairs on all parts of the bath exhaust fan.

IF THE ORIGINAL USER OR CONSUMER PURCHASER CEASES TO OWN THE FAN, THIS WARRANTY AND ANY IMPLIED WARRANTY WHICH THEN REMAINS IN EFFECT, INCLUDING BUT NOT LIMITED TO ANY IMPLIED WARRANTY OF MERCHANTABILITY OR FITNESS FOR A PARTICULAR PURPOSE, ARE VOIDED. NO WARRANTY, EXPRESS OR IMPLIED, INCLUDING ANY WARRANTY OF MERCHANTABILITY OR FITNESS FOR A PARTICULAR PURPOSE, IS MADE IN RESPECT OF GLASS FIXTURES OR LIGHT BULBS OR THE FINISH ON ANY METAL PORTION OF THE BATH EXHAUST FAN.

THIS WARRANTY IS IN LIEU OF ALL OTHER EXPRESS WARRANTIES. THE DURATION OF ANY IMPLIED WARRANTY, INCLUDING, BUT NOT LIMITED TO, ANY IMPLIED WARRANTY OF MERCHANTABILITY OR FITNESS FOR A PARTICULAR PURPOSE, IN RESPECT TO ANY HUNTER FAN BATH EXHAUST FAN MOTOR OR OTHER FAN PART, IS EXPRESSLY LIMITED TO THE PERIOD OF THE EXPRESS WARRANTY SET FORTH ABOVE FOR SUCH MOTORS OR OTHER PARTS.

This warranty is voided if your Hunter bath exhaust fan is not purchased and installed in the U.S.A. This warranty excludes and does not cover defects, malfunctions or failures of any Hunter bath exhaust fan which were caused by repairs by persons not authorized by us, use of parts or accessories not authorized by us, mishandling, improper installation, modifications or damage to the Hunter bath exhaust fan while in your possession, or unreasonable use, including failure to provide reasonable and necessary maintenance.

To obtain servicing, contact the nearest Hunter authorized service center of the Hunter Fan Company Service Department, 2500 Frisco Avenue, Memphis, Tennessee 38114. Please contact us before shipping your bath exhaust fan to us. If we authorize you to ship it to us, you will be responsible for all insurance and freight or other transportation charges to our factory or service center. We will return your Hunter bath exhaust fan freight prepaid. Your Hunter bath exhaust fan should be properly packed to avoid damage in transit since we will not be responsible for any such damage. Proof of purchase is required when requesting warranty service. The purchaser must present the sales receipt or other document that establishes proof of purchase.

IN NO EVENT SHALL HUNTER FAN COMPANY BE LIABLE FOR CONSEQUENTIAL OR INCIDENTAL DAMAGES.

SOME STATES DO NOT ALLOW LIMITATIONS ON HOW LONG AN IMPLIED WARRANTY LASTS OR THE EXCLUSION OR LIMITATION OF INCIDENTAL OR CONSEQUENTIAL DAMAGES SO THE ABOVE LIMITATION OR EXCLUSIONS MAY NOT APPLY TO YOU.

THE WARRANTY GIVES YOU SPECIFIC LEGAL RIGHTS AND YOU MAY ALSO HAVE OTHER RIGHTS WHICH VARY FROM STATE TO STATE.



2500 Frisco Avenue, Memphis, Tennessee 38114  
Printed in China

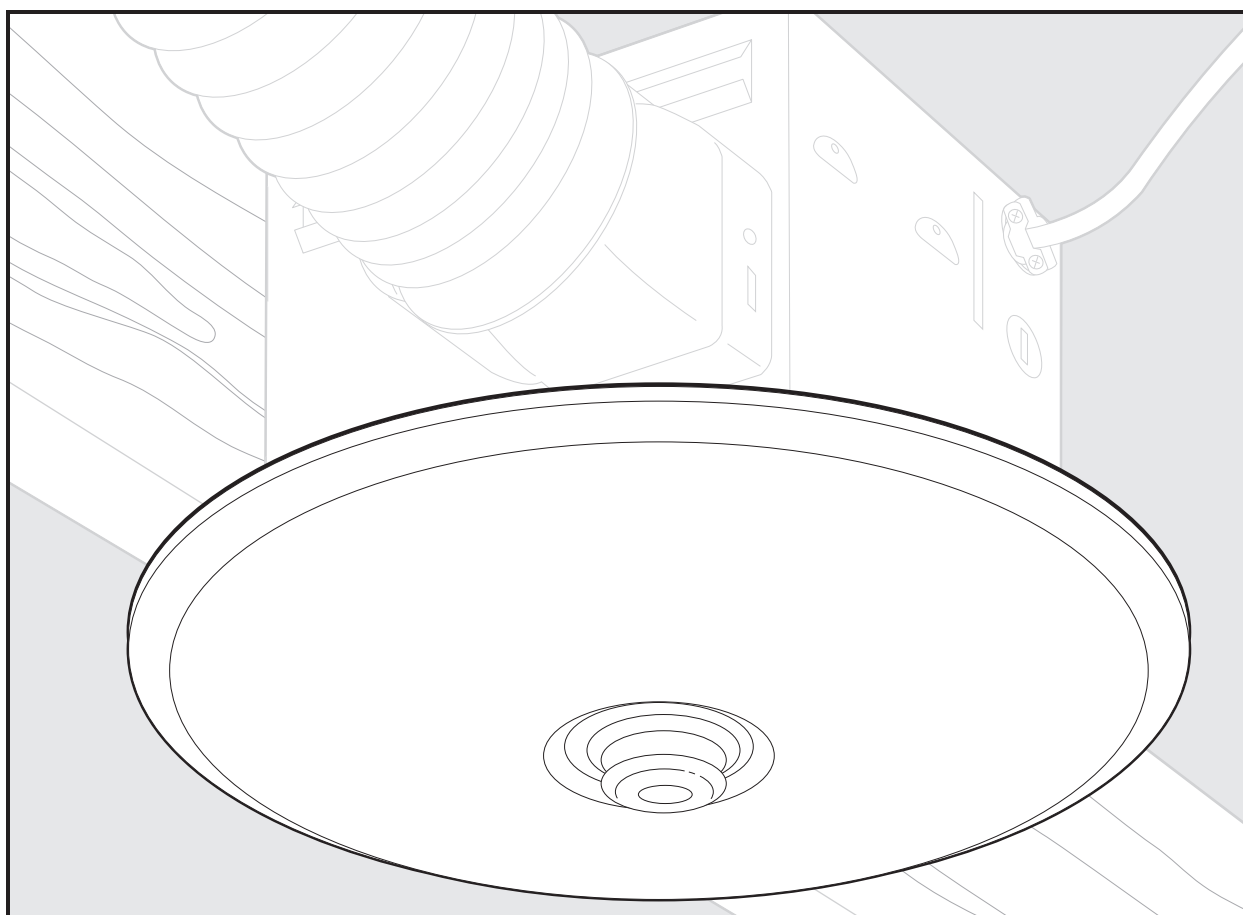




DESDE

1886

G u í a d e i n s t a l a c i ó n



Ventilador para baño 81004 Ventura con luz  
**LEA y CONSERVE ESTAS INSTRUCCIONES**

# ⚠ A D V E R T E N C I A

## PARA REDUCIR EL RIESGO DE DESCARGA ELÉCTRICA O LESIONES, OBSERVE LO SIGUIENTE:

1. Utilice esta unidad sólo de la manera indicada por el fabricante. Si tiene alguna pregunta, contacte con el fabricante en el teléfono o la dirección indicados en la garantía.
2. Antes de instalar, dar servicio o limpiar la unidad, desconecte la alimentación eléctrica apagando los interruptores automáticos que alimentan la caja de salida y al interruptor de pared respectivo. Si no puede bloquear los interruptores automáticos en la posición de apagado, fije firmemente una forma destacada de advertencia, como una etiqueta de seguridad, en el tablero de servicio.
3. Los trabajos de instalación y cableado eléctrico deben ser realizados por personas calificadas de acuerdo con todos los códigos y las normas aplicables, incluyendo los códigos y normas de construcción contra incendio.
4. Se necesita aire suficiente para una combustión adecuada y para evacuar los gases por el tubo de la chimenea de equipo que quema combustible a fin de evitar el flujo inverso. Siga las pautas del fabricante del equipo de calefacción y las normas de seguridad, como las de la Asociación Nacional de Protección contra Incendios (NFPA), la Asociación de Ingenieros Americanos en Calefacción y Aire acondicionado (ASHRAE), y los códigos locales.
5. Al cortar o taladrar en paredes o techo, no dañe el cableado eléctrico u otros servicios no visibles.
6. Los ventiladores canalizados siempre deben descargar al aire libre. Mantenga los ductos tan cortos y rectos como sea posible.
7. Aceptable para uso sobre una bañera o ducha si se conecta en un circuito derivado protegido por un interruptor automático de falla a tierra (GFCI).
8. Instale el ventilador por lo menos a 5 pies (1.52 m) por encima del piso.
9. Nunca coloque un interruptor donde pueda ser alcanzado desde una tina o una ducha.
10. Esta unidad debe ponerse a tierra.

## ⚠ PRECAUCIÓN

1. Sólo para uso de ventilación general. No lo utilice para ventilar ambientes con materiales peligrosos o explosivos.
2. Para evitar daños a los rodamientos del motor e impulsores ruidosos o desbalanceados, mantenga la unidad de potencia lejos de la aplicación de aerosol para paneles de yeso (drywall), polvo de la construcción, etc.
3. NO instale este producto en una pared. Este producto está diseñado para instalarse en techos con una inclinación de hasta 12/12 (45°). La red de ductos debe dirigirse hacia arriba.
4. Vea más información y los requisitos en la etiqueta de especificación del producto.

## ⚠ ADVERTENCIA

**DESCONECTE LA ALIMENTACIÓN ELÉCTRICA Y CIERRE EL PANEL DE SERVICIO ANTES DE DAR MANTENIMIENTO A LA UNIDAD**

## MANTENIMIENTO PREVENTIVO

Un ventilador limpio proporciona mejor servicio. Desconecte la alimentación y limpie el ventilador como se indica a continuación.

**PARA LIMPIAR LA REJILLA:** Use un detergente suave, como líquido para lavado de platos, y un paño suave. NO emplee paños abrasivos, almohadillas de lana de acero ni polvos para fregar.

### PARA LIMPIAR EL CONJUNTO DEL VENTILADOR:

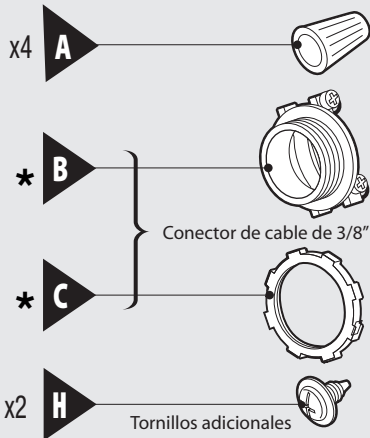
**Desconecte el cordón del motor de la toma de corriente. Para retirar la placa del motor, encuentre la pestaña en la placa (ubicada junto a la toma de corriente). Levante la pestaña posterior de la placa del motor mientras empuja hacia afuera en el lado del alojamiento o introduzca un destornillador en la ranura del alojamiento (junto a la pestaña) y gire el destornillador. Suavemente aspire el ventilador, el motor y el interior del alojamiento.**

**LAS PARTES METÁLICAS ELÉCTRICAS NUNCA DEBEN SUMERGIRSE EN AGUA.**

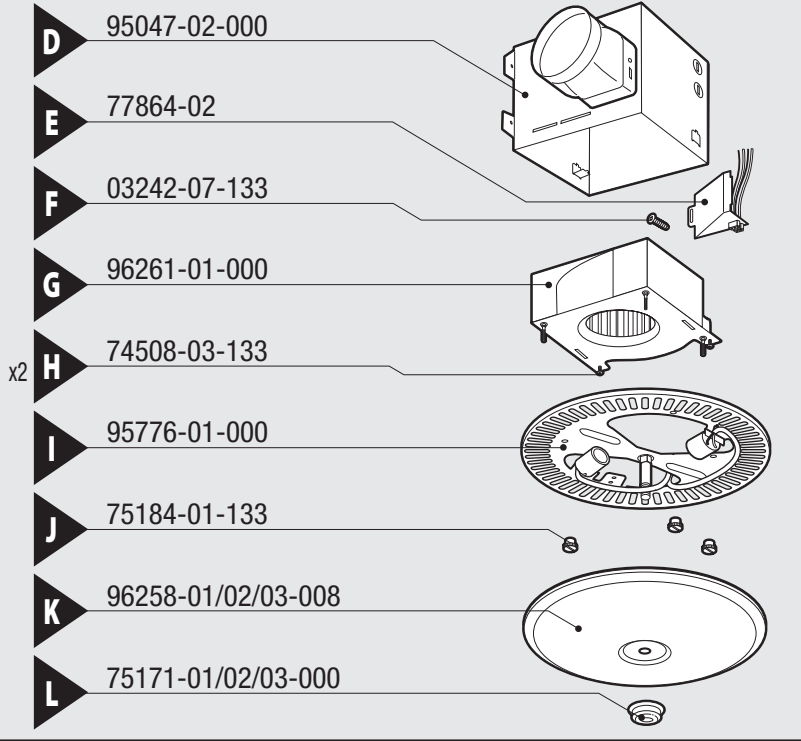
## MANTENIMIENTO

El motor está lubricado permanentemente y no necesita ser engrasado. Si los rodamientos del motor hacen ruidos excesivos o inusuales, reemplace el motor con el motor de servicio exacto. Debe reemplazar el impulsor al mismo tiempo.

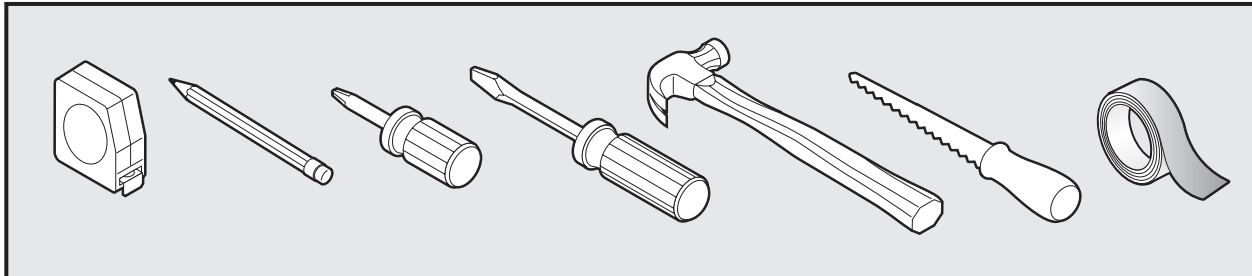
**Check all the parts.  
If damaged, call  
1-888-830-1326  
for replacements.**



**\* NOTA:** Debe estar instalado el manguito de alivio de tensión del cable. No incluido.



**Incluido.**

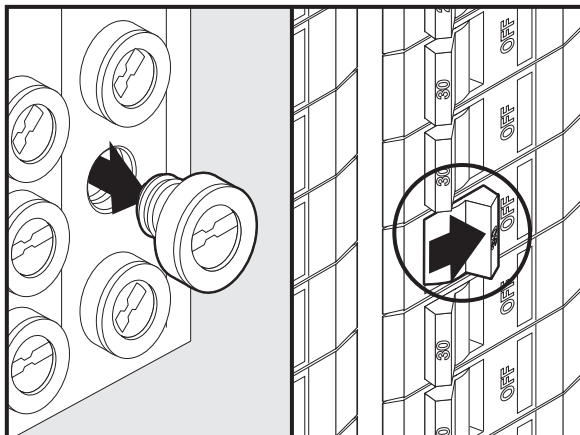


**Herramientas necesarias (no suministradas)**

**Tiempo estimado de ensamblaje: entre 30 y 60 minutos**

**Antes de la instalación**

**NOTA:** Retire todo el material de embalaje antes de la instalación.

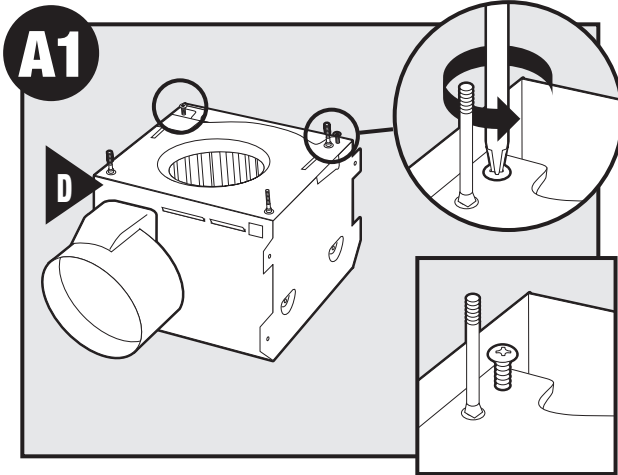


**Apague la fuente de alimentación.**

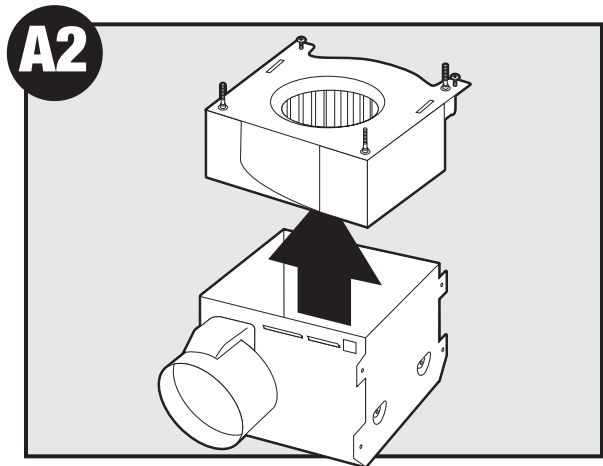
**Instalación para construcción nueva  
Vaya al paso A1, página 4**

**Construcción existente  
Vaya a Instalación para construcción  
existente, página 8**

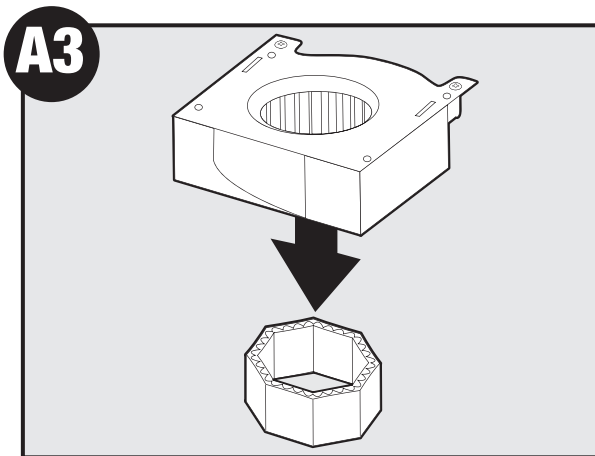
## Instalación para construcción nueva



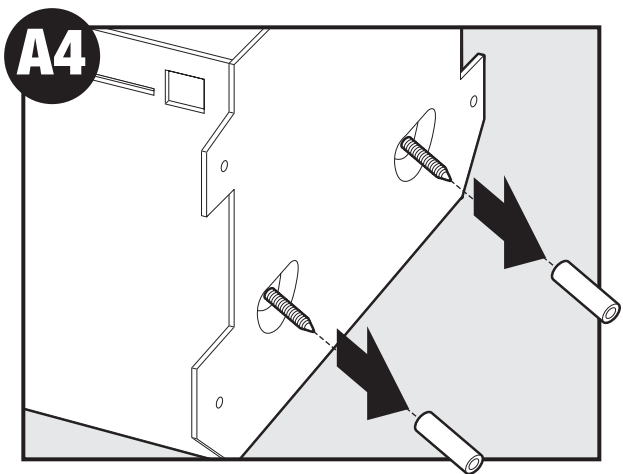
Afloje el tornillo que asegura el motor.



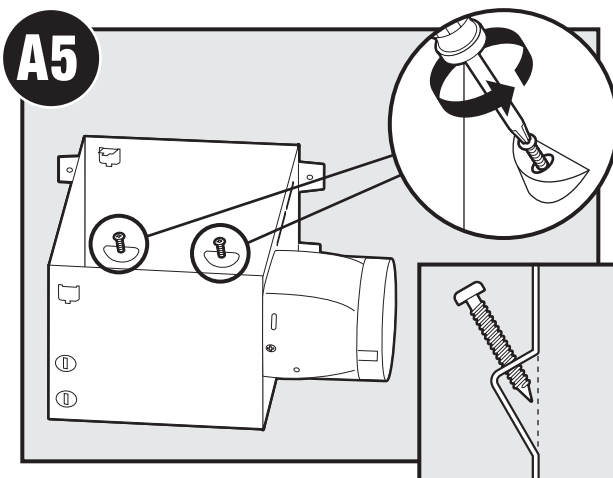
Retire el motor/soplador del alojamiento.



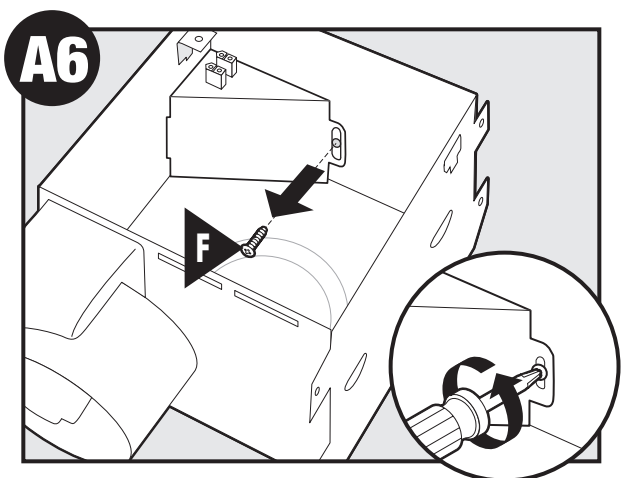
Retire el material de embalaje.



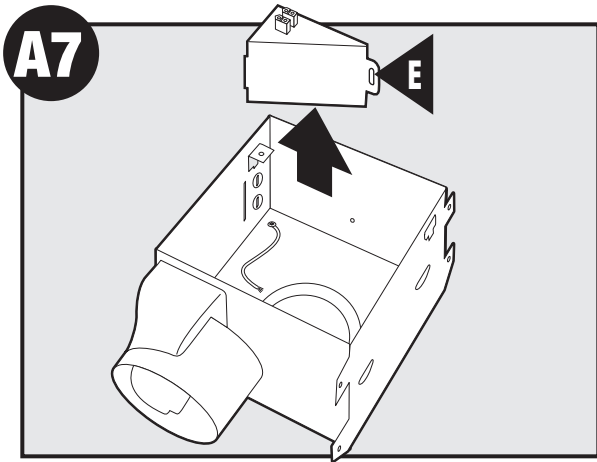
Retire las cubiertas de las puntas de tornillo precargadas.



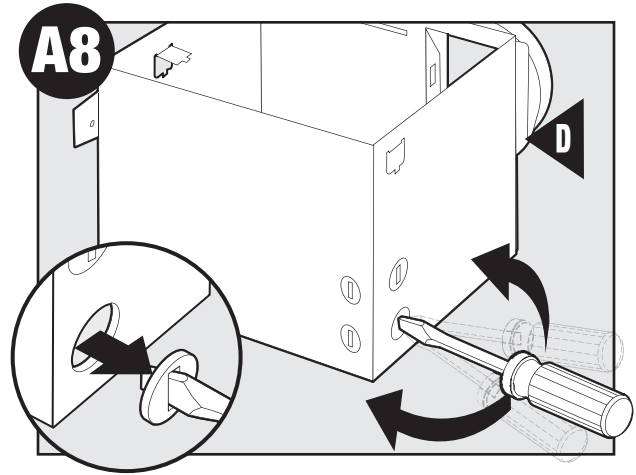
Retire las puntas de tornillo precargadas hasta que estén a nivel con el lado del alojamiento.



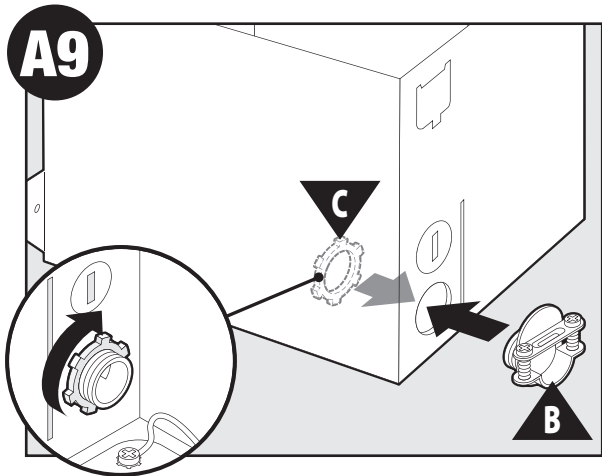
Retire el tornillo de la cubierta del cableado.



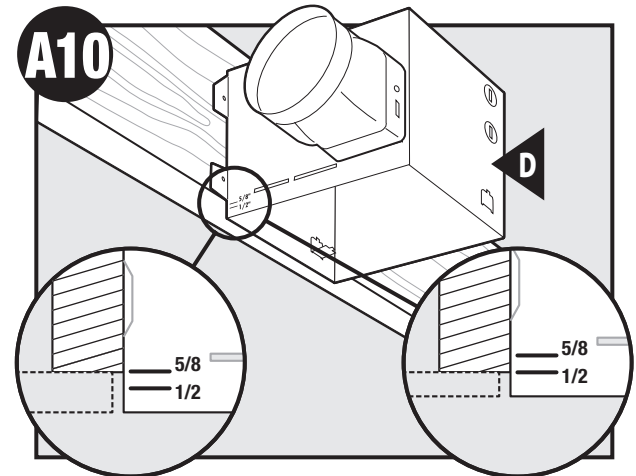
Retire la cubierta del cableado.



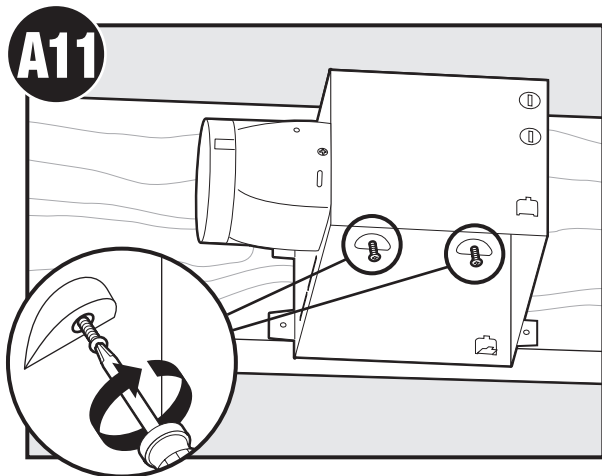
Expulse el primer tapón metálico de acceso del cableado. Utilice el segundo si es necesario.



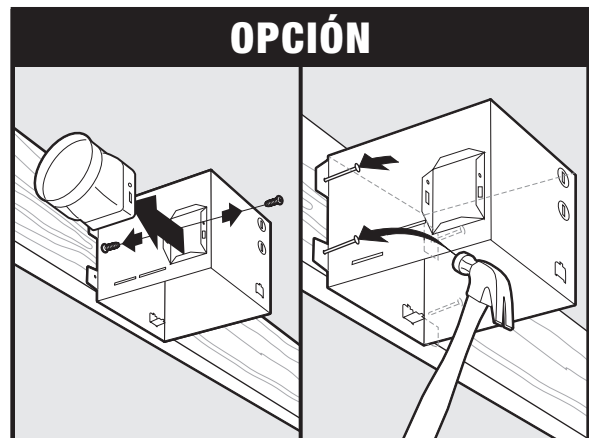
Introduzca el aliviador de tensiones en el alojamiento y asegúrelo con la arandela.



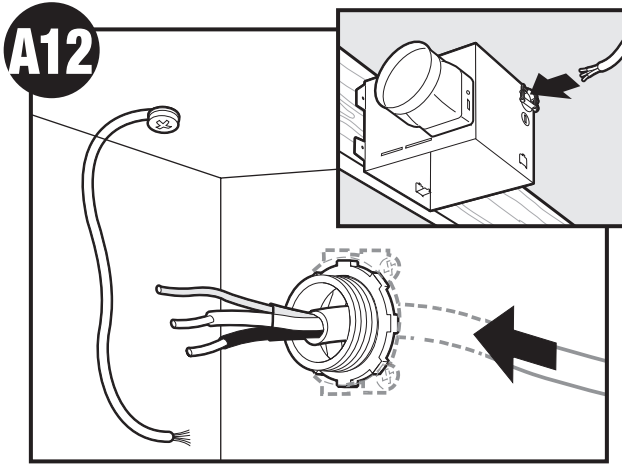
Ubique la correcta marca de profundidad en el borde inferior de la viga, según el espesor de su plancha de yeso.



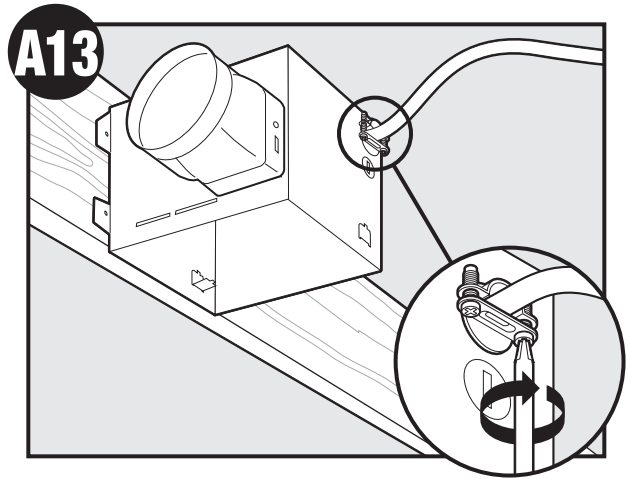
Instale los tornillos precargados en la viga o el marco.



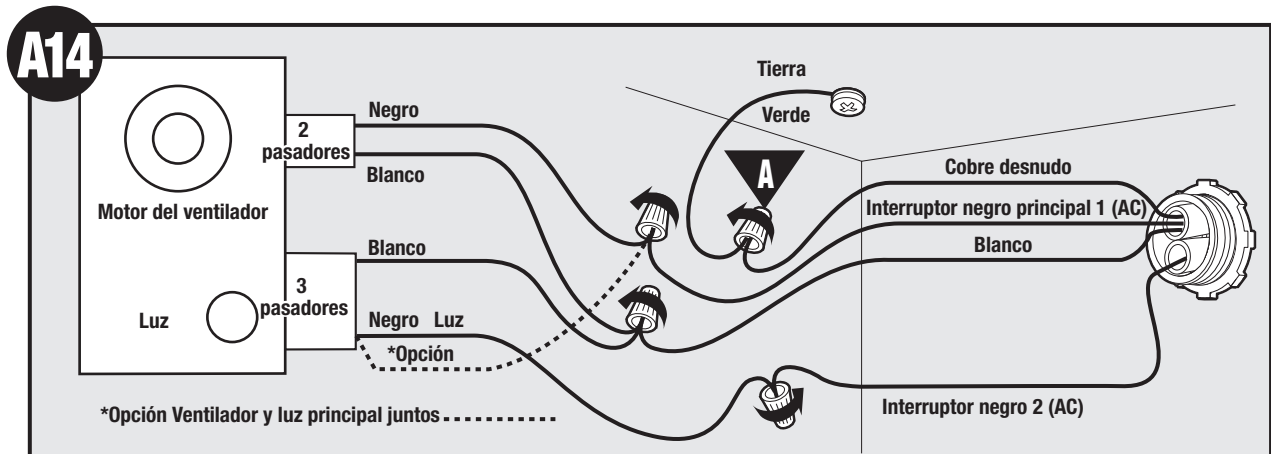
Clave las pestañas en ambos lados a la viga o al marco de modo que el alojamiento esté a nivel con el techo terminado. (No se proporcionan los clavos.)



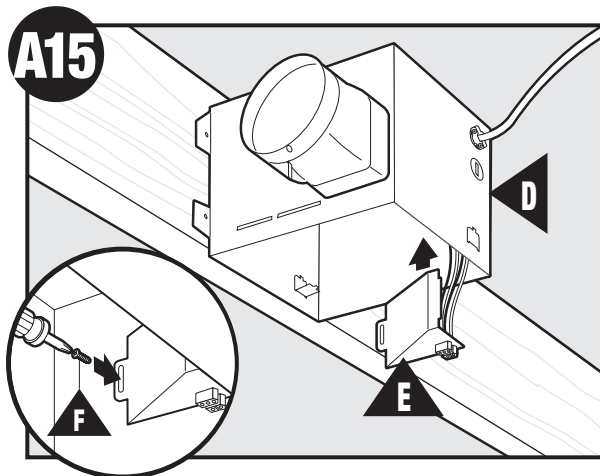
Tire de los alambres por el aliviador de tensiones.



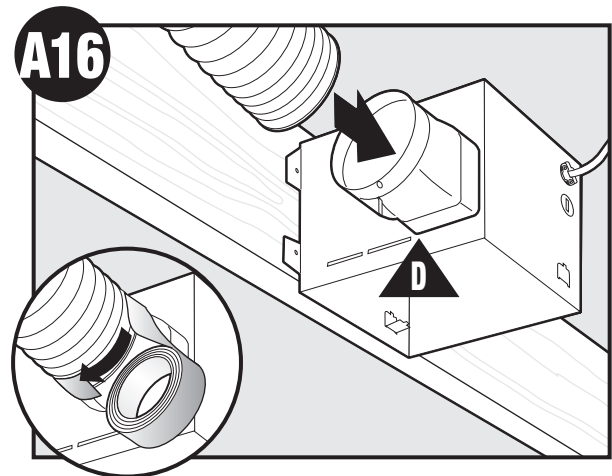
Apriete los tornillos del aliviador de tensiones.



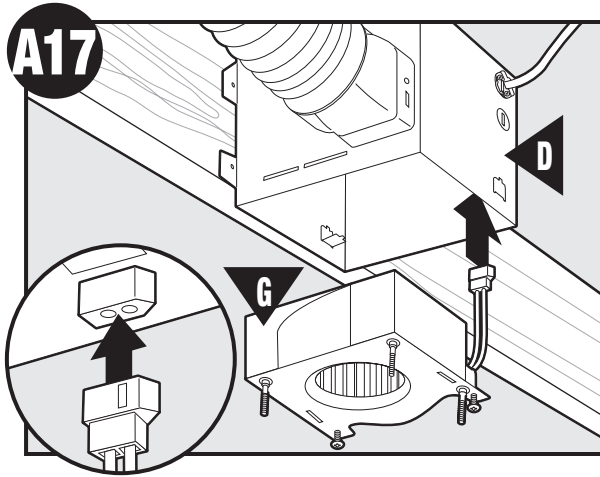
Conecte los alambres como se muestra.



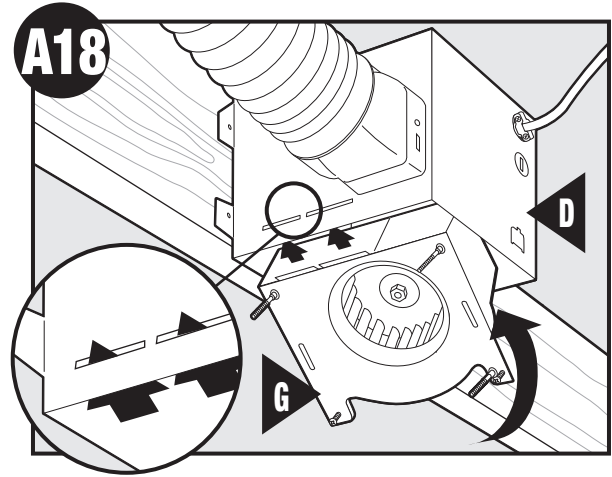
Instale la placa de cubierta del cableado. Asegúrese que todas las conexiones de cableado estén dentro de la caja o debajo de la placa de cubierta del cableado.



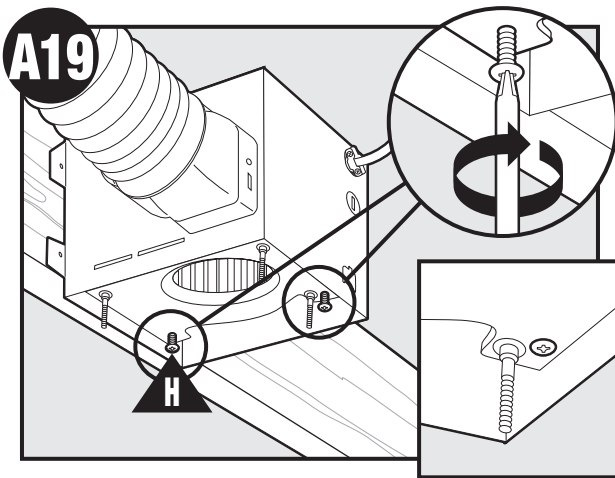
Conecte un ducto de 4" y ventile hacia el exterior. Aplique cinta a las uniones. Si el ducto no se ajusta firmemente, puede ser necesario comprar un adaptador.



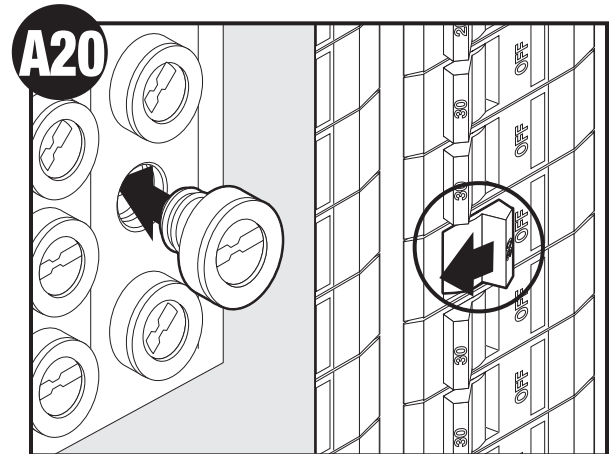
**A17** Conecte el cableado del motor a la placa de cubierta del cableado.



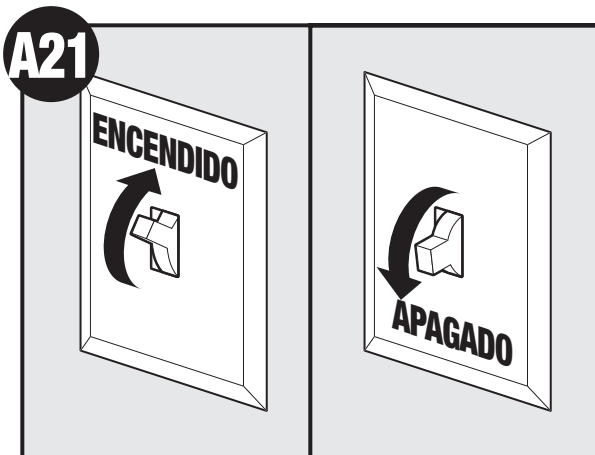
**A18** Vuelva a instalar el motor introduciendo las pestañas y levantando a su posición. Asegúrese que los alambres no se pellizquen entre el motor y el alojamiento.



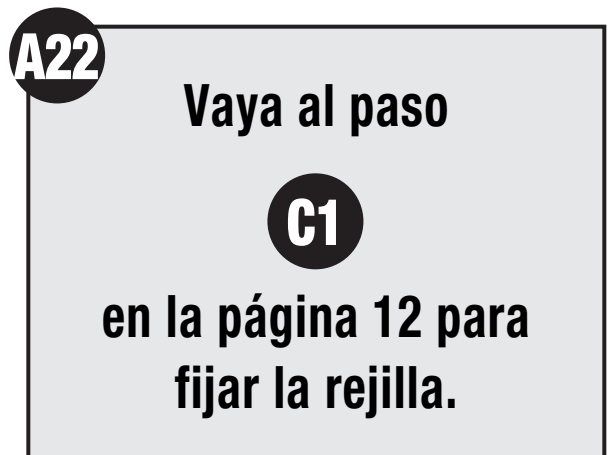
**A19** Asegure el motor apretando los 2 tornillos.



**A20** Encienda la fuente de alimentación.

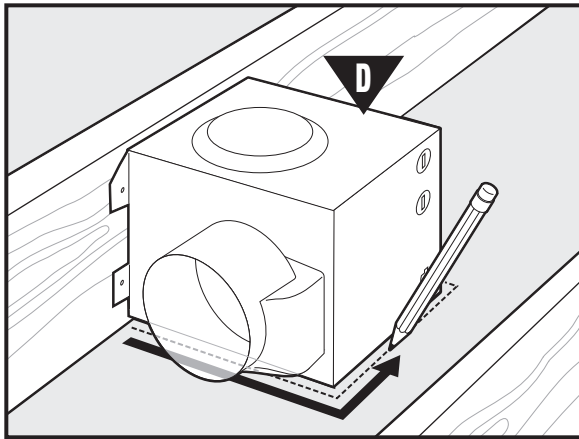


**A21** Pruebe el motor. Si el motor no funciona, verifique la conexión del enchufe.

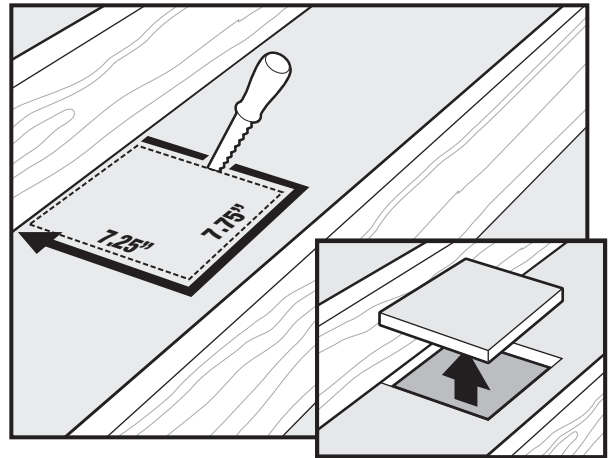


**A22** Vaya al paso  
**C1**  
en la página 12 para  
fijar la rejilla.

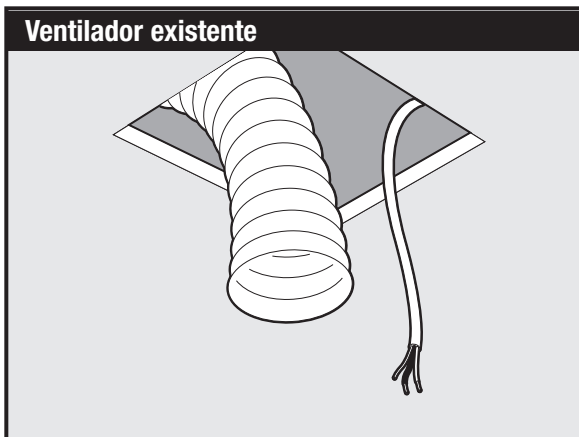
## Instalación para construcción existente



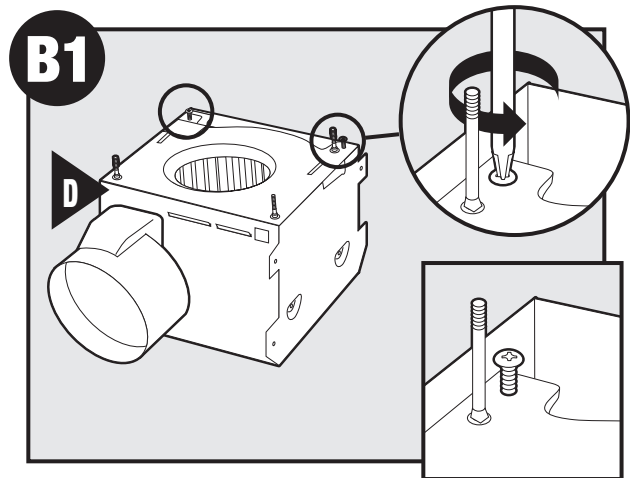
Utilice el alojamiento del motor como una plantilla para marcar la posición.



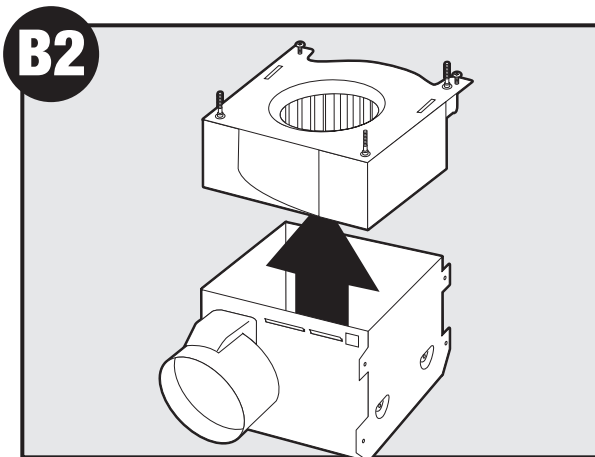
Recorte una abertura para el alojamiento.



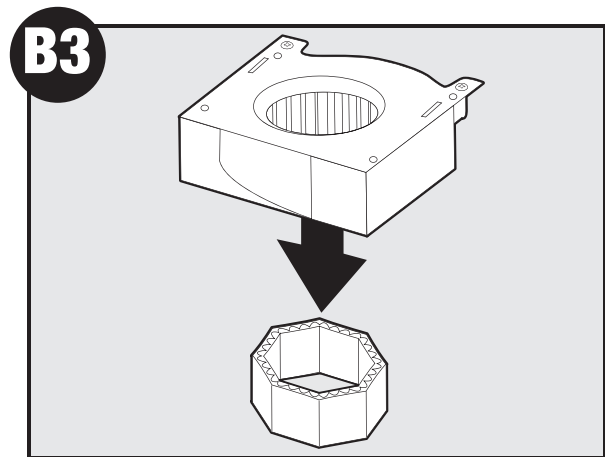
Retire el ventilador existente y asegúrese que la abertura sea suficientemente grande para acomodar el alojamiento del motor nuevo (7.25" x 7.75").



Afloje los tornillos.

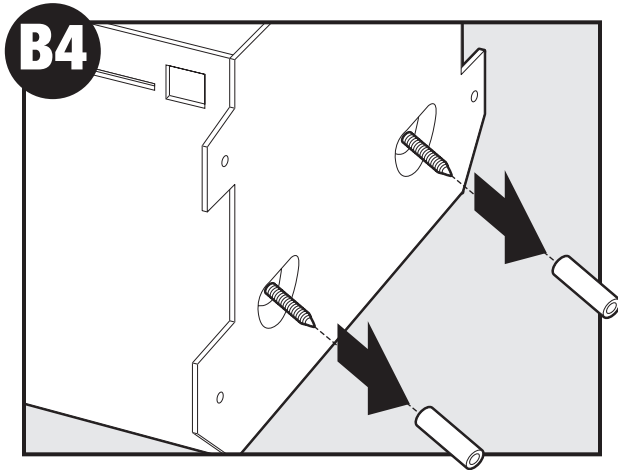


Retire el motor/soplador del alojamiento.

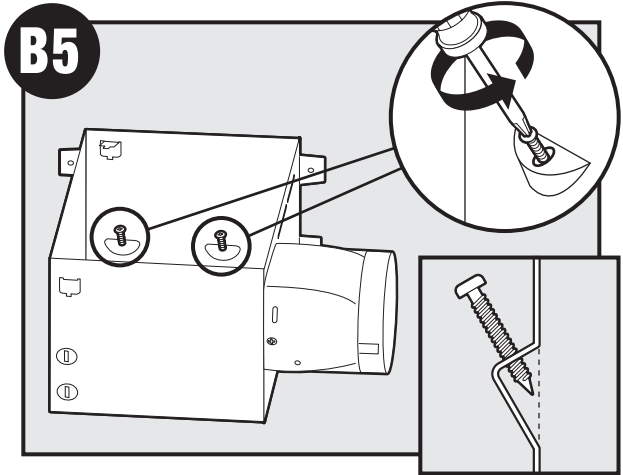


Retire el material de embalaje.

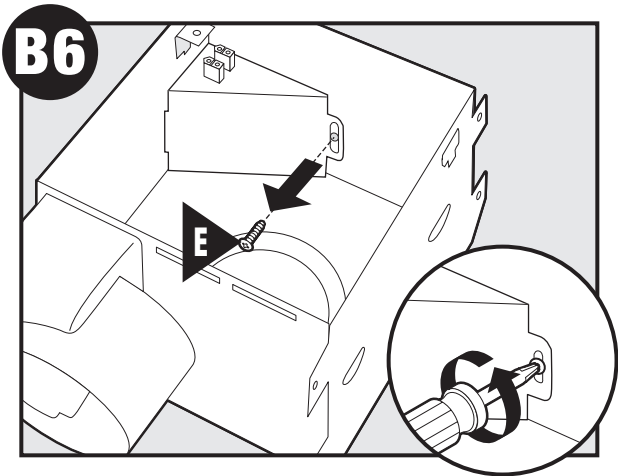




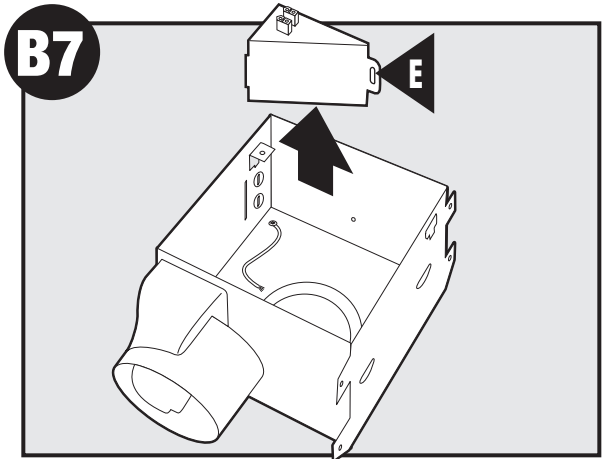
**B4** Retire las cubiertas de las puntas de tornillo precargadas.



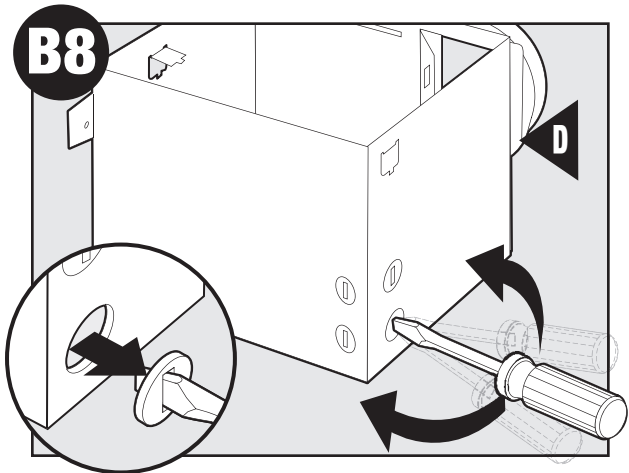
**B5** Retire las puntas de tornillo precargadas hasta que estén a nivel con el lado del alojamiento.



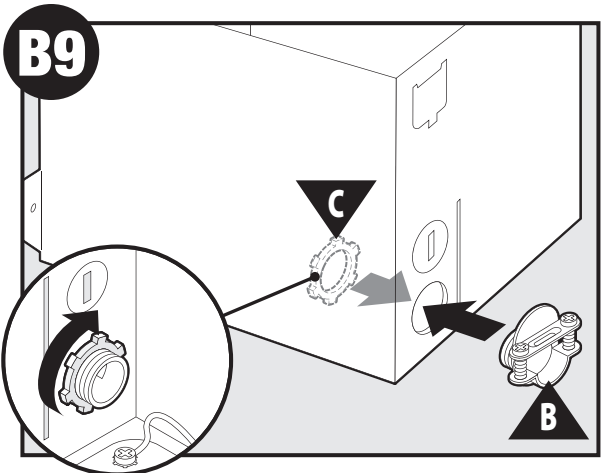
**B6** Retire el tornillo de la cubierta del cableado.



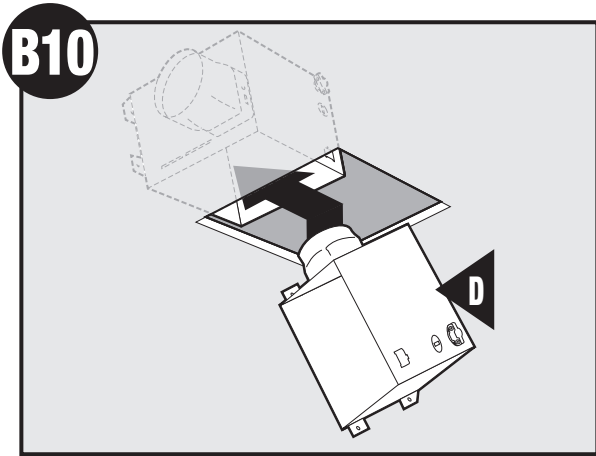
**B7** Retire la cubierta del cableado.



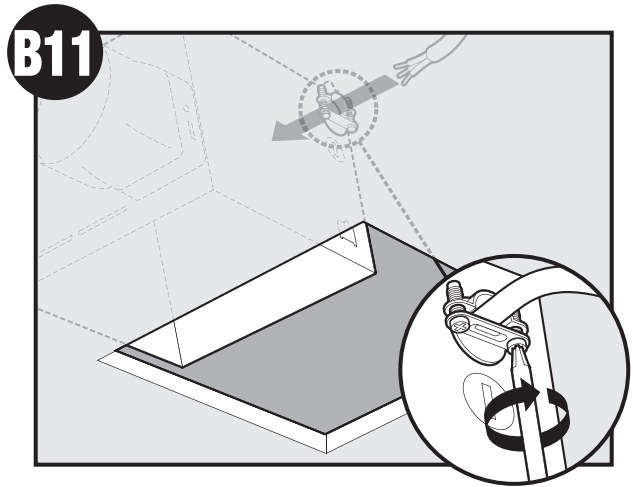
**B8** Expulse el primer tapón metálico de acceso del cableado. Utilice el segundo si es necesario.



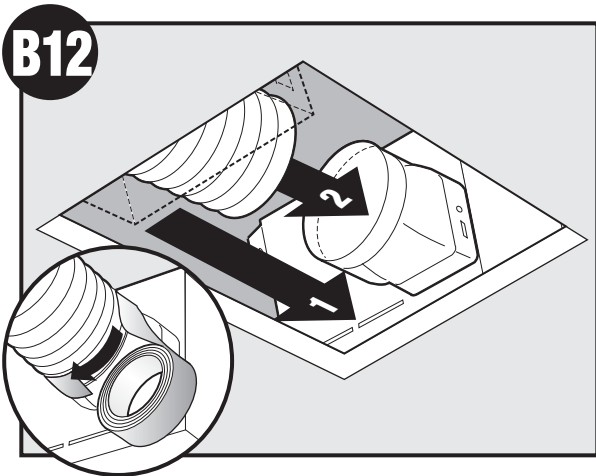
**B9** Introduzca el aliviador de tensiones en el alojamiento y asegúrelo con la arandela.



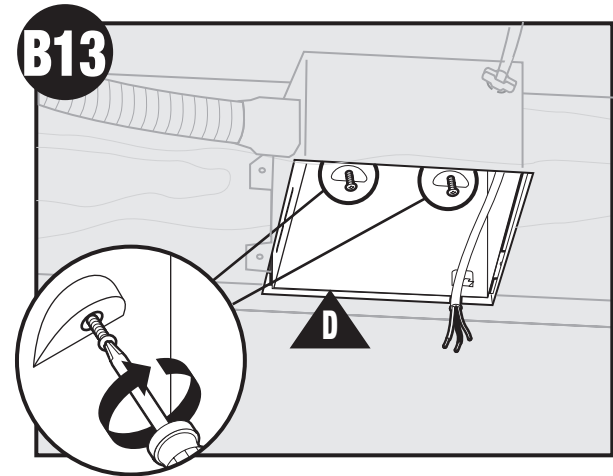
Mueva el alojamiento a su posición encima del techo.



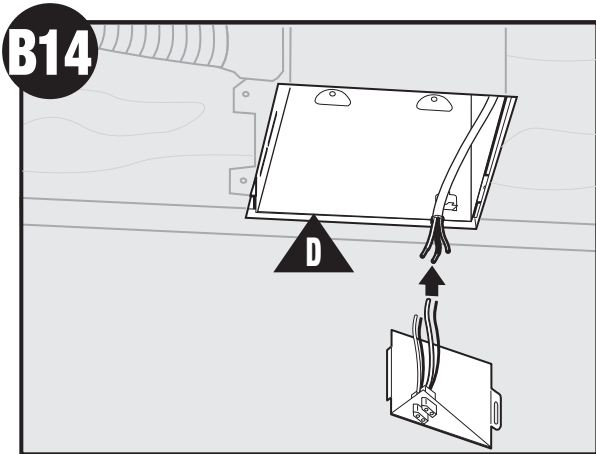
Tire de los alambres a través del aliviador de tensiones y apriete los tornillos de éste.



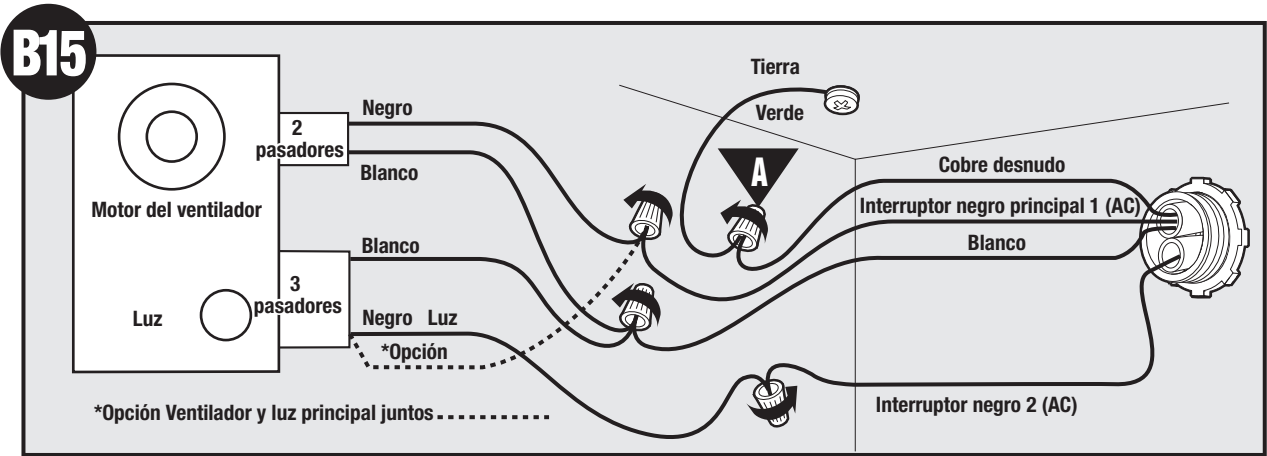
Conecte el ducto existente con el conector de ducto. Aplique cinta a las uniones. Si el ducto no se ajusta firmemente, puede ser necesario comprar un adaptador.



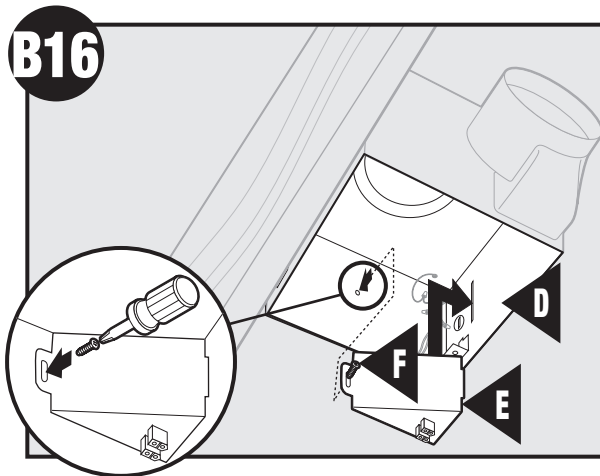
Instale el alojamiento en la abertura y asegure apretando los tornillos precargados en la viga.  
Nota: Instale la caja a nivel con la plancha de yeso (techo).



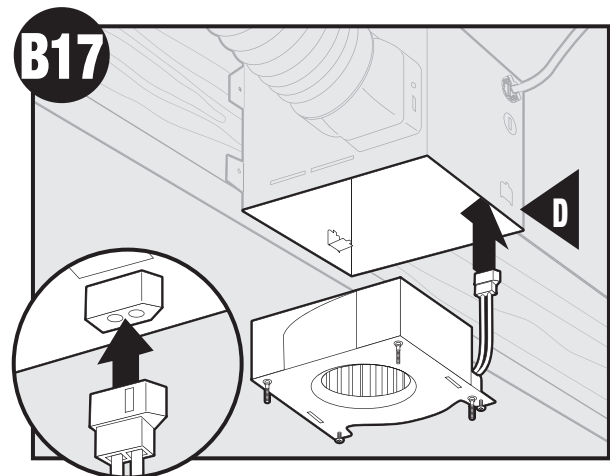
Conecte el cableado.



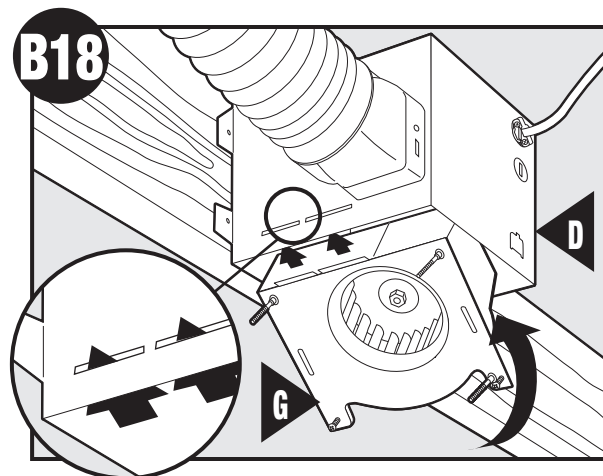
Conecte el cableado.



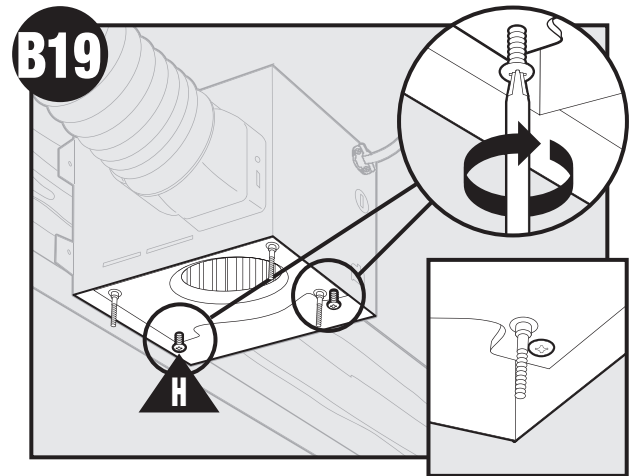
Instale la placa de cubierta del cableado. Asegúrese que todas las conexiones de cableado estén dentro de la caja o debajo de la placa de cubierta del cableado.



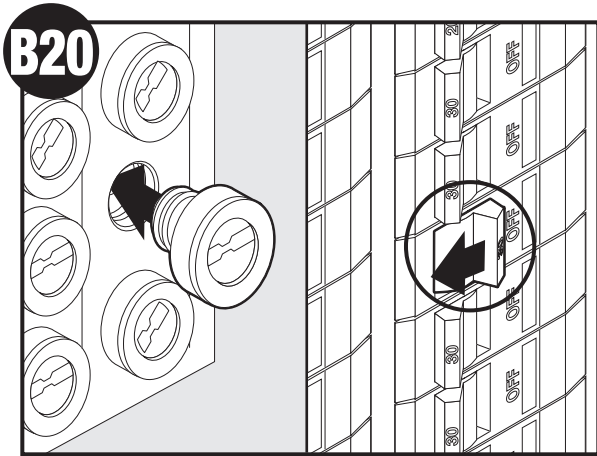
Conecte el cableado del motor a la placa de cubierta del cableado.



Vuelva a instalar el motor introduciendo las pestañas y levantando a su posición. Asegúrese que los alambres no se pellizquen entre el motor y el alojamiento.



Asegure el motor apretando los 2 tornillos.



**B20** Encienda la fuente de alimentación.



**B21** Pruebe el motor. Si el motor no funciona, verifique la conexión del enchufe.

**B22**

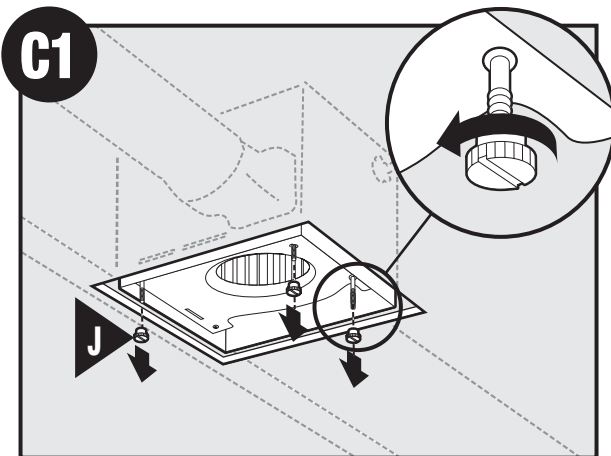
**Vaya al paso**

**C1**

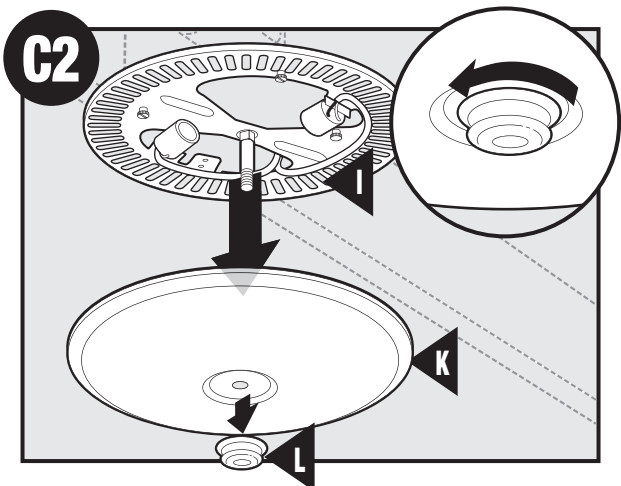
**en la página 12 para**

**fijar la rejilla.**

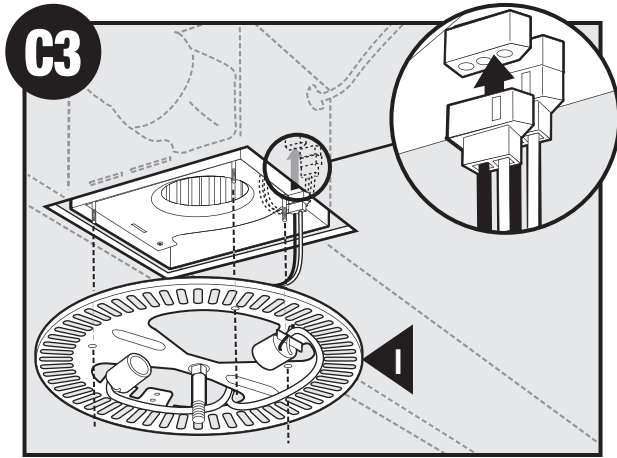
**Fijación de la rejilla**



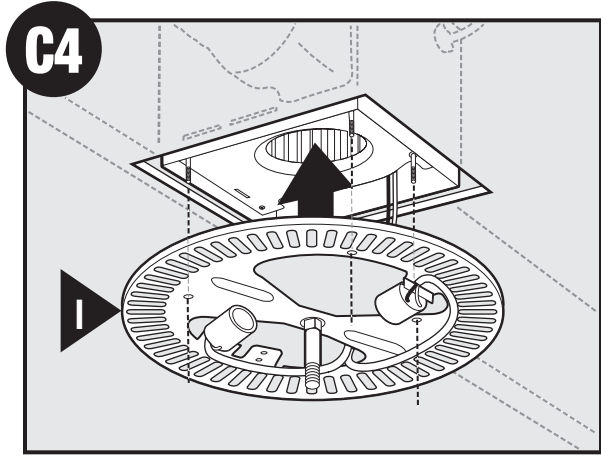
**C1** Retire los tornillos de mano.



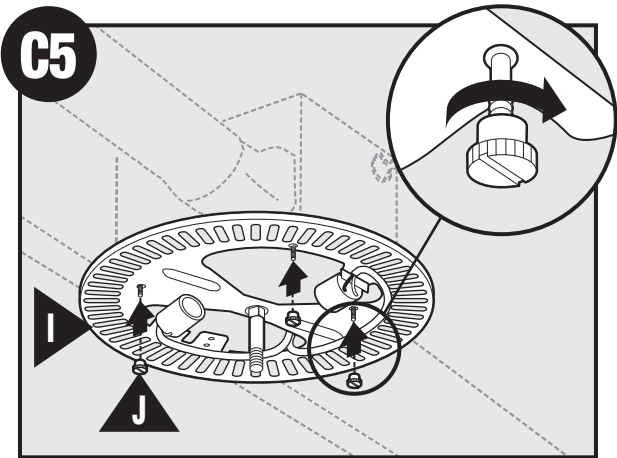
**C2** Retire el domo de vidrio.



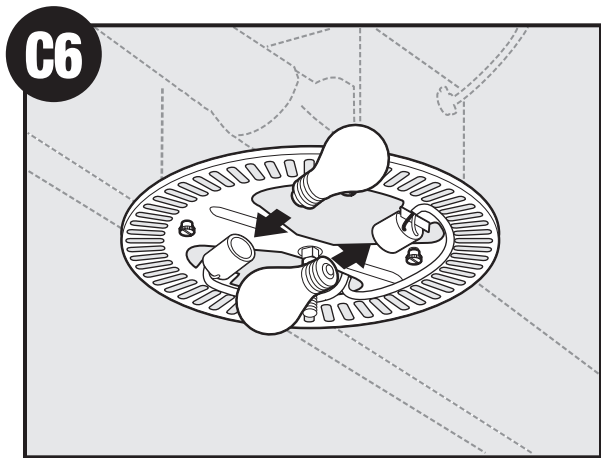
**C3**  
Conecte el manido de alambres.



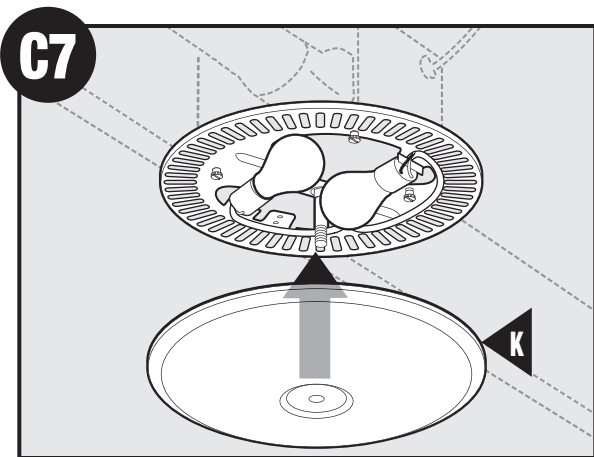
**C4**  
Deslice el soporte sobre los postes.



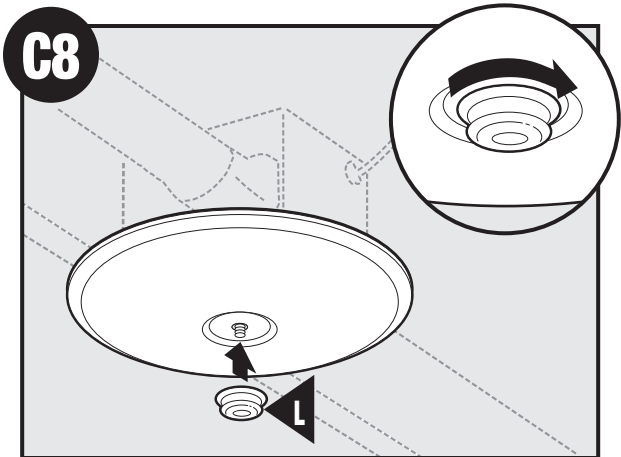
**C5**  
Instale los tornillos de mano.  
**ADVERTENCIA:** Para reducir el riesgo de descarga eléctrica, los 3 tornillos de mano DEBEN instalarse apropiadamente.



**C6**  
Instale 2 bombillas A-15 de 60 vatios como máximo  
(No incluidas).



**C7**  
Alinee el domo de vidrio y levante.



**C8**  
Enrosque el domo de vidrio en su posición.

## Solución de problemas

**Problema:** El ventilador no está operando.

**Solución:**

- Los ventiladores de baño Hunter son muy silenciosos. Para confirmar que el ventilador esté funcionando, coloque su mano cerca de los conductos de ventilación para sentir el movimiento del aire.
- Encienda la alimentación eléctrica, reemplace el fusible o restablezca el interruptor automático.
- Verifique todas las conexiones de los enchufes para asegurarse que estén firmes.
- Verifique el cableado para asegurarse que coincida con el diagrama de cableado.

**Problema:** La luz no funciona.

**Solución:**

- Reemplace la bombilla con una nueva.
- Encienda la alimentación eléctrica, reemplace el fusible o restablezca el interruptor automático.
- Verifique todas las conexiones de los enchufes para asegurarse que estén firmes.
- Verifique el cableado para asegurarse que coincida con el diagrama de cableado.

**Problema:** El ventilador hace ruido.

**Solución:**

- Verifique y apriete todos los pernos y tornillos.
- Verifique la pantalla para asegurarse que esté firme.
- Verifique la válvula de retención para asegurarse que se mueva con libertad.

Si necesita repuestos o servicio, llame al 888-830-1326 o visite nuestro sitio web en <http://www.hunterfan.com>.

## Garantía

Hunter Fan Company  
Extractor de aire para baño  
GARANTÍA LIMITADA

Hunter Fan Company establece la siguiente garantía limitada al usuario o comprador original de este Extractor de aire para baño Hunter:

Si alguna pieza de su Extractor de aire para baño Hunter (con excepción de las lámparas de vidrio y las bombillas) falla en cualquier momento dentro de un año después de la fecha de compra debido a una falla de material o mano de obra, repararemos o, a nuestra elección, reemplazaremos la pieza defectuosa sin costo de partes y mano de obra realizada en nuestro centro de reparaciones más cercano o en nuestro Departamento de servicio en Memphis, Tennessee. Después de este período de un año, usted será responsable de todos los costos de partes y mano de obra para reparaciones del Extractor de aire para baño, con excepción de reparaciones del motor, como se estipula a continuación.

Si el motor de su Extractor de aire para baño Hunter falla en cualquier momento dentro de cinco años después de la fecha de compra debido a una falla de material o mano de obra, la mano de obra y los materiales para reparar la falla serán proporcionados sin costo en nuestro centro de reparaciones más cercano o en nuestro Departamento de servicio en Memphis, Tennessee. Si no puede proporcionarse alguna parte de reemplazo, a nuestra elección, le reembolsaremos el precio de compra real de su Extractor de aire para baño o le proporcionamos uno de reemplazo sin costo. Después de este período de cinco años, usted será responsable de todos los costos de partes y mano de obra para reparaciones de cualquier componente del Extractor de aire para baño.

SI EL USUARIO O COMPRADOR ORIGINAL DEJA DE POSEER EL EXTRACTOR DE AIRE, ESTA GARANTÍA Y CUALQUIER GARANTÍA IMPLÍCITA QUE PERMANEZCA EN EFECTO, INCLUYENDO PERO SIN LIMITARSE A TODA GARANTÍA IMPLÍCITA DE COMERCIABILIDAD O IDONEIDAD PARA UN PROPÓSITO PARTICULAR, QUEDA ANULADA. NO SE OFRECE NINGUNA GARANTÍA EXPRESA O IMPLÍCITA, INCLUYENDO CUALQUIER GARANTÍA DE COMERCIABILIDAD O IDONEIDAD PARA UN PROPÓSITO PARTICULAR, PARA LAS LÁMPARAS DE VIDRIO O LAS BOMBILLAS O EL ACABADO EN CUALQUIER PARTE METÁLICA DEL EXTRACTOR DE AIRE PARA BAÑO.

ESTA GARANTÍA SUSTITUYE A TODAS LAS OTRAS GARANTÍAS EXPRESAS. LA DURACIÓN DE TODA GARANTÍA IMPLÍCITA, INCLUYENDO PERO SIN LIMITARSE A CUALQUIER GARANTÍA IMPLÍCITA DE COMERCIABILIDAD O IDONEIDAD PARA UN PROPÓSITO PARTICULAR, CON RESPECTO DE CUALQUIER MOTOR DE EXTRACTOR DE AIRE PARA BAÑO HUNTER U OTRA PARTE DEL VENTILADOR, ESTÁ EXPRESAMENTE LIMITADA AL PERIODO DE LA GARANTÍA EXPRESA ESTABLECIDA ANTERIORMENTE PARA DICHOS MOTORES U OTRAS PARTES.

Esta garantía es nula si su Extractor de aire para baño no se adquiere e instala en los EE.UU. Esta garantía excluye y no cubre defectos, averías o fallas del Extractor de aire para baño Hunter que fueran ocasionados por reparaciones por parte de personas no autorizadas por nosotros, por el uso de piezas o accesorios no autorizados por nosotros, por mal uso, modificaciones, o daños al Extractor de aire para baño Hunter mientras esté en su posesión, o por un empleo no razonable, incluyendo la falta de suministrar un razonable y necesario mantenimiento.

Para obtener servicio, contacte con el centro de servicio autorizado Hunter o con nuestro Departamento de servicio de Hunter Fan Company, en 2500 Frisco Avenue, Memphis, Tennessee 38114. Le agradeceremos que se ponga en contacto con nosotros antes de enviarnos su Extractor de aire para baño. Si le autorizamos a enviarlo, usted será responsable de todos los cargos de seguro y flete o de otras cargas del transporte a nuestra planta o centro de reparaciones. Devolveremos su Extractor de aire para baño Hunter con el flete prepagado. Su Extractor de aire para baño Hunter se debe embalar apropiadamente para evitar daños durante el tránsito ya que no seremos responsables de dichos daños. Al solicitar un servicio de garantía, debe exhibir una prueba de su compra. El comprador debe presentar el recibo de compra u otro documento que establezca la prueba de su compra.

EN NINGÚN CASO HUNTER FAN COMPANY SERÁ RESPONSABLE DE DAÑOS PERJUDICIALES O ACCESORIOS.

ALGUNOS ESTADOS NO PERMITEN LIMITACIONES SOBRE LA DURACIÓN DE UNA GARANTÍA IMPLÍCITA O LA EXCLUSIÓN O LIMITACIÓN DE DAÑOS ACCESORIOS O PERJUDICIALES, POR LO QUE LA LIMITACIÓN O EXCLUSIONES ANTES MENCIONADAS PUEDEN NO APLICARSE A USTED.

LA GARANTÍA LE DA DERECHOS LEGALES ESPECÍFICOS, PERO USTED TAMBIÉN PUEDE TENER OTROS DERECHOS QUE VARÍAN DE ESTADO A ESTADO.



2500 Frisco Avenue, Memphis, Tennessee 38114  
Impreso en China