

Parts Manual for
SNAPPER®

**TWO STAGE LARGE FRAME
SNOW THROWER
SERIES 8**

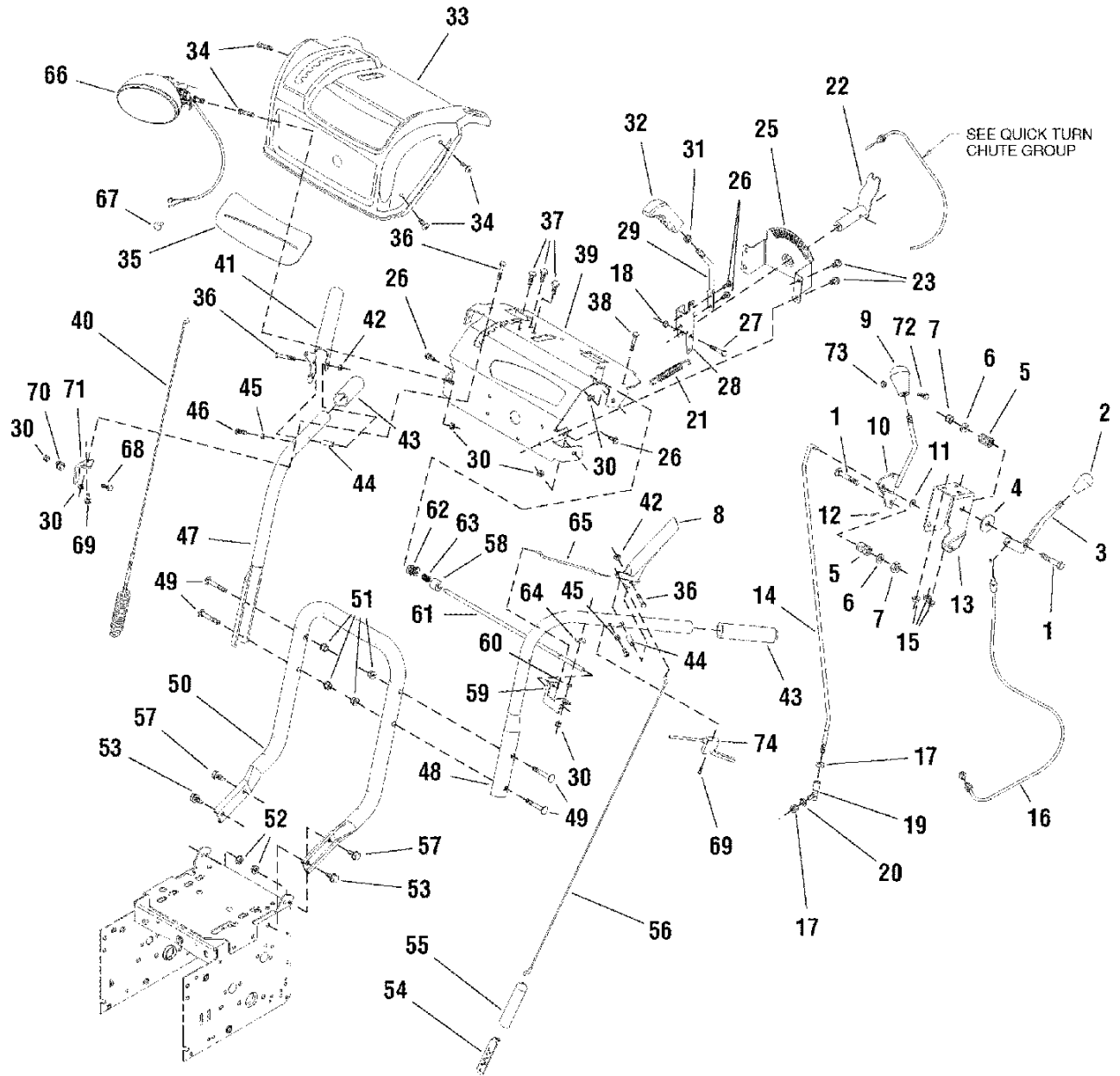


MODEL
85268E (1694993)
95288E (1694994)
105308E (1694995)
115328E (1694996)
E85268E (1695093)
E95288E (1695094)
E105308E (1695095)
E115328E (1695096)

SNAPPER® McDonough, GA, 30253 U.S.A.

PAGE	GROUP
4	Handle & Controls Group
8	Auger Drive Group
10	Auger Housing & Chute Group - CE Models
14	Auger Housing & Chute Group - Domestic Models
18	Engine & Frame Group - CE Models
22	Engine Group - Domestic Models
26	Traction Drive Group - EZ Turn
30	Traction Drive Group - Standard
32	Wheel & Tire Group
34	Decals Group

Handle & Controls Group

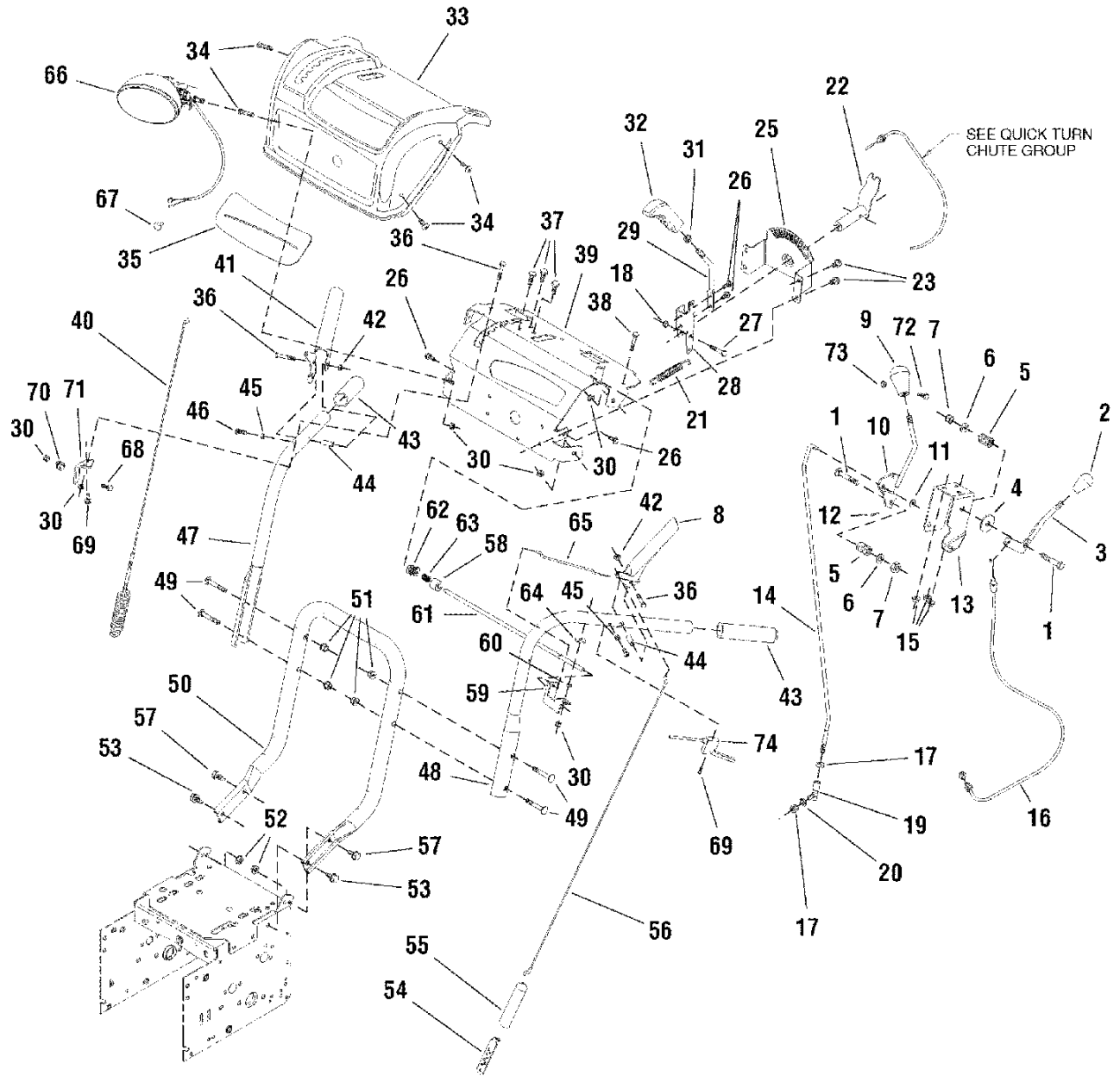


Handle & Controls Group

Item	Part No	Qty	Description	Note
1	1923701	2	CAPSCREW, Hex Head 3/8-16 x 2 G5	
2	1732470	1	KNOB, Interior Thread 3/8-16	
3	1732427	1	ROD, Chute	
4	1924356	1	WASHER, 3/8	
5	724361	2	SPRING	
6	1918266	2	WASHER, 3/8	
7	1919439	2	NUT, Hex Lock ESNA Light 3/8-16	
8	1722667	1	GRIP, Clutch, L.H.	
9	1733192	1	KNOB, Slot Speed	
10	1733205	1	ROD & PLATE ASSEMBLY, Speed Control	
11	1919326	1	WASHER, 5/16	
12	1918447	1	COTTER PIN	
13	1733045A	1	BRACKET, Trac & Deflector Control	
14	1732531	1	ROD	
15	1931277	3	NUT, Hex Flange 5/16-18 Whiz Lock	
16	1732971	1	CABLE, Deflector Control	
17	2820263	2	NUT, Hex 5/16-24	
18	1960608	1	NUT, Hex Flange 1/4-20 Centerlock	
19	724360	1	BALLJOINT, Steel	
20	1917356	1	LOCKWASHER, Spring 5/16	
21	1732970	1	SPRING, Extension	
22	1732365	1	TUBE & BRACKET ASSEMBLY, Cable	
23	1924856	4	SCREW, Hex Washer Head Taptite 5/16-18 x 1/2	
25	1732364	1	SUPPORT, Chute Control	
26	1927429	4	SCREW, Hex Washer Head Taptite 1/4-20 x 5/8	
27	1732944	1	BOLT, Shoulder 1/4-20	
28	1733142	1	BRACKET, Support Quick Turn	
29	1732369	1	ROD, Chute	
30	1920397	7	NUT, Hex Lock ESNA Light 1/4-20	
31	1917421	1	NUT, Hex Jam 3/8-16	
32	723122	1	GRIP, Lever 3/8-16	
33	1732417D	1	COVER, Panel	
34	1960715	7	SCREW, Truss Head Torx Drive 1/4-20 x 3/4	
35	1733204	1	BELLOWS, Black Rubber Quick Turn	
36	1922837	3	CAPSCREW, Hex Head 1/4-20 x 1-1/2 G5	
37	1931333	3	CARRIAGE BOLT, 5/16-18 x 3/4 G5	
38	1921962	1	CAPSCREW, Hex Head 1/4-20 x 1-3/4 G5	

Footnotes:

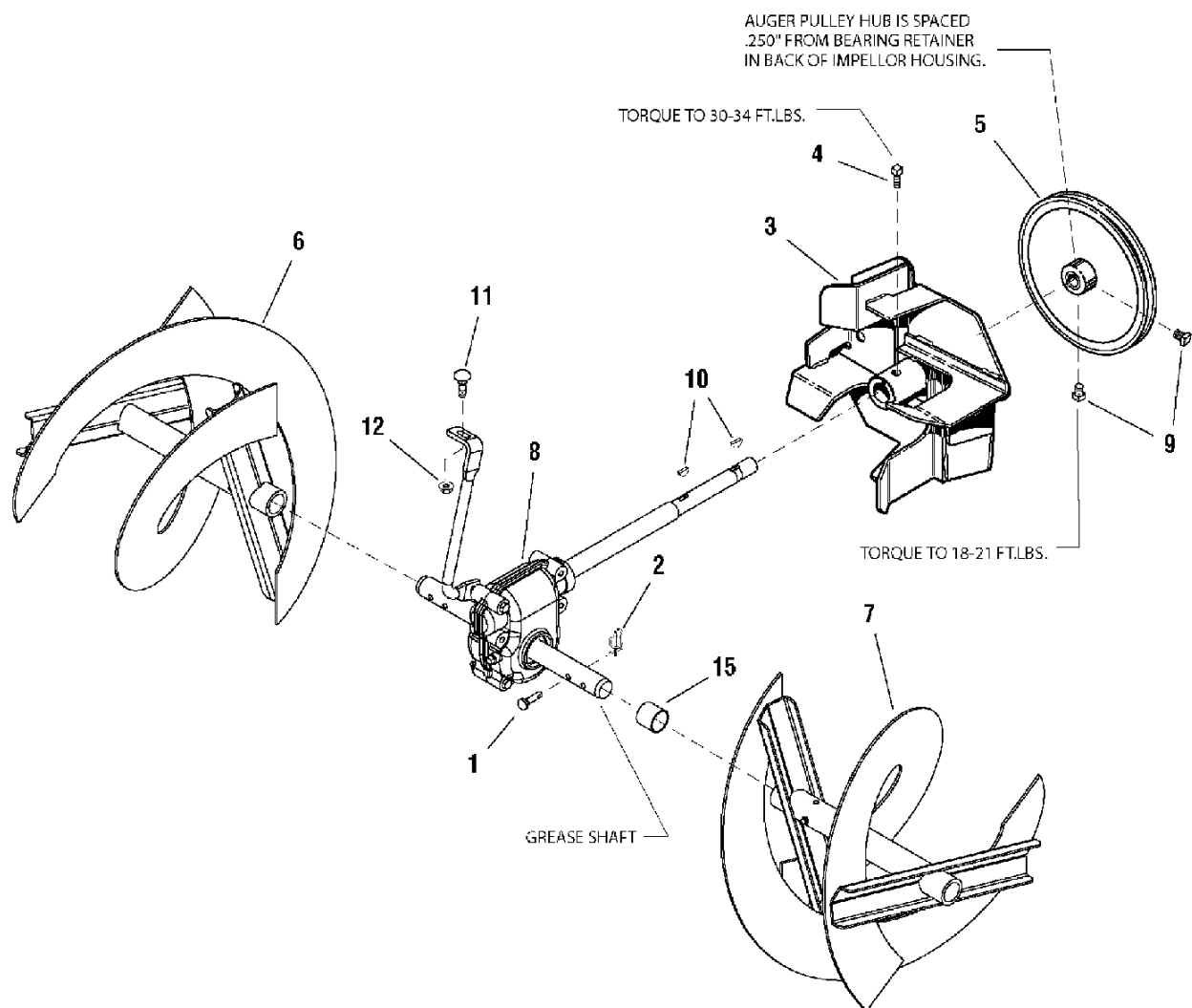
Handle & Controls Group



Handle & Controls Group

Item	Part No	Qty	Description	Note
39	1732064A	1	SUPPORT, Dash Panel Cover	
40	1732471	1	CABLE & SPRING ASSEMBLY, Auger Drive R.H.	
41	1722638	1	GRIP, Clutch R.H.	
42	1923358	2	NUT, Hex Centerlock 1/4-20	
43	1726317	2	GRIP	
44	1715655	2	SPACER	
45	1678392	2	SPACER	
46	1960671	2	SCREW, Pan Head Torx 1/4-20 x 3/4	
47	1732783A	1	HANDLE, Upper R.H. Tubular	
48	1732782A	1	HANDLE, Upper L.H. Tubular	
49	1960723	4	CARRIAGE BOLT, 5/16-18 x 2-1/4 G5	
50	1732781A	1	HANDLE, Lower Tubular	
51	1960686	4	NUT, Hex Flange 5/16-18 ESNA	
52	1935048	2	NUT, Hex Flange 5/16-18 Two-Way Lock	
53	1664847	2	SCREW, Hex Washer Head Taptite 5/16-18 x 3/4	
54	723259	1	BRACKET, Cable Adjusting	
55	723154	1	BOOT, Control Spring	
56	727331	1	CABLE, Front Drive	
57	1921333	2	CAPSCREW, Hex Head 5/16-18 x 1 G5	
58	1679166	1	SPACER	
59	1733505A	1	BRACKET, Free Hand Control	
60	1733095	1	SPACER, Powdered Metal	
61	1733509	1	ROD & SPRING ASSEMBLY, w/Pin	
62	1960027	4	WASHER-, 1/2	
63	2108360	1	SPRING, Compression	
64	1960353	1	WASHER, 1/4	
65	1722630	1	ROD, Hold Down	
66	1732322	1	HEADLIGHT ASSEMBLY, Oval Clear	
67	1704351	10	FASTENER, Panel	
68	1931320	2	CARRIAGE BOLT, 1/4-20 x 1-1/4 G5	
69	1725702	2	SCREW, Pan Head Torx #10 x 1/2	
70	724621	1	SPOOL CABLE, Auger Control	
71	1733481A	1	BRACKET, Spout Cable	
72	1960589	1	SCREW, Round Head Phillips #10-24 x 3/4	
73	1933896	1	NUT, Hex Lock 10-24 w/Nylon Insert	
74	1718791	1	CABLE & HANDLE ASSEMBLY	

Footnotes:

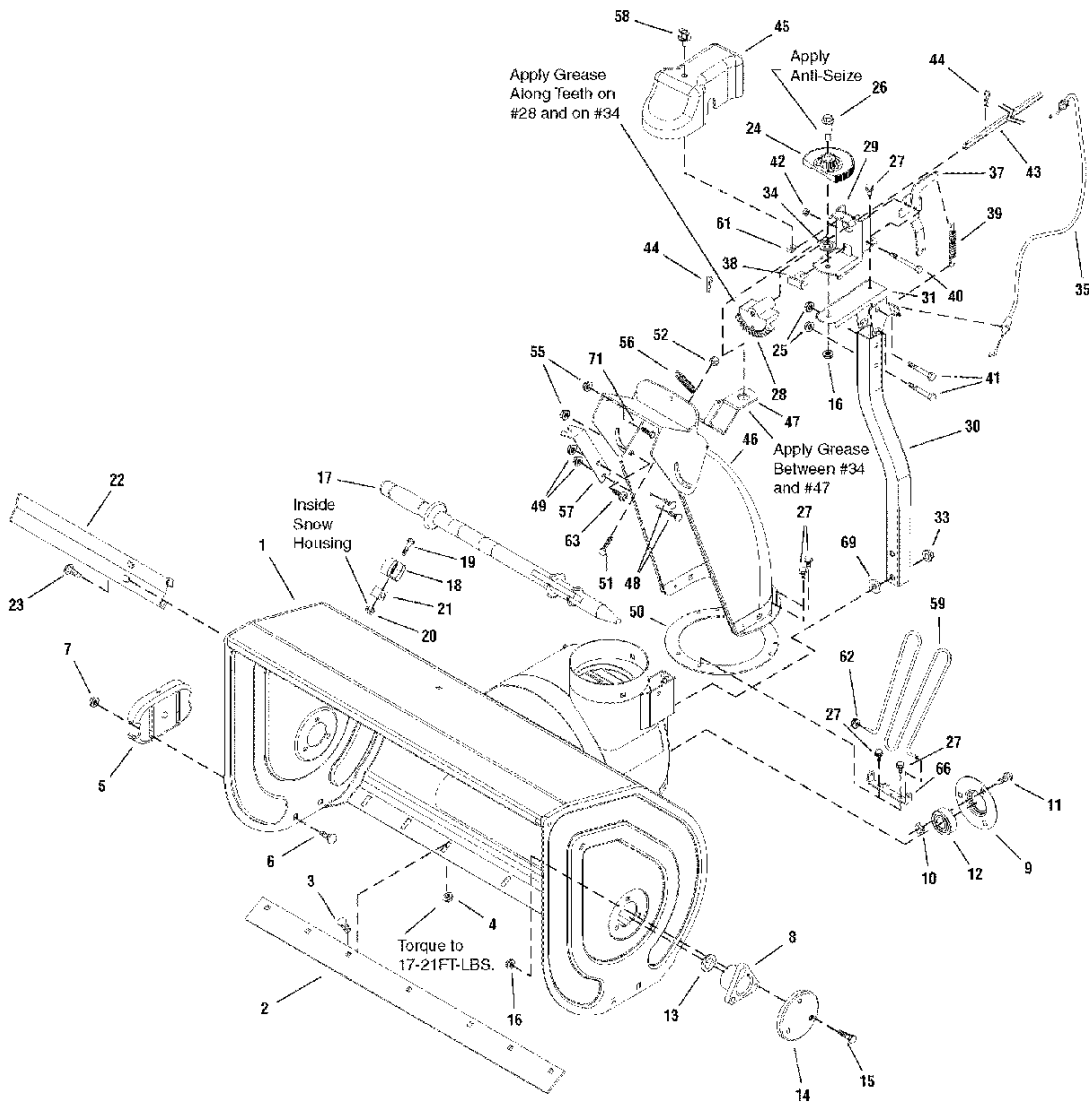


Auger Drive Group

Item	Part No	Qty	Description	Note
1	1668344	4	PIN, SHEAR	
2	7023590	4	COTTER PIN, 1/4" Self Locking	
3	1612187A	1	IMPELLER ASSEMBLY, Large Frame Snow	
4	1960474	1	SCREW, Set, Square Head Cup Point 3/8-16 x 1/2 G8	
5	1732185	1	PULLEY, w/Hub	
6	1718783A	1	AUGER ASSEMBLY, 24" & 26" R.H.	
6	1718785A	1	AUGER ASSEMBLY, 28" & 30" R.H.	
6	1718787A	1	AUGER ASSEMBLY, 32" R.H.	
7	1718782A	1	AUGER ASSEMBLY, 24" & 26" L.H.	
7	1718784A	1	AUGER ASSEMBLY, 24" & 30" L.H.	
7	1718786A	1	AUGER ASSEMBLY, 32" L.H.	
8	1732303	1	GEAR BOX ASSEMBLY	
9	1928721	2	SCREW, Set, Square Head Cup Point 5/16-18 x 1/2 G8	
10	2818312	2	KEY, Woodruff	
11	1931333	1	CARRIAGE BOLT, 5/16-18 x 3/4 G5	
12	1931277	1	NUT, Hex Flange Whiz Lock, 5/16-18HEX FLANGE 5/16-18	
15	1733406	2	TUBE	

Footnotes:

Auger Housing & Chute Group - CE Models

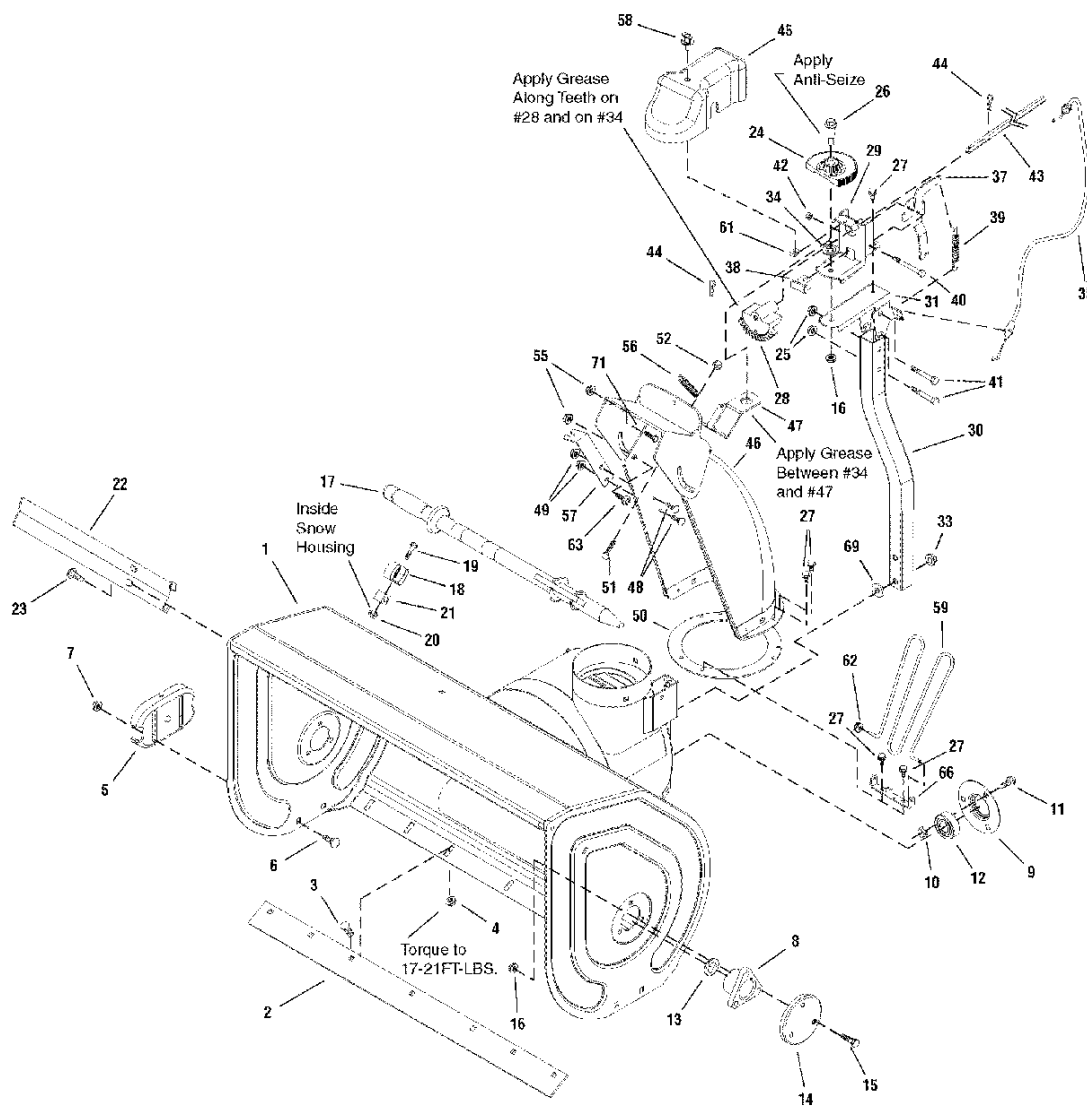


Auger Housing & Chute Group - CE Models

Item	Part No	Qty	Description	Note
1	1732268D	1	HOUSING ASSEMBLY, 26"	
1	1732269D	1	HOUSING ASSEMBLY, 28"	
1	1723370D	1	HOUSING ASSEMBLY, 30"	
1	1732008D	1	HOUSING ASSEMBLY, 32"	
2	1732384A	1	BLADE, Scraper 26"	
2	1709947A	1	BLADE, Scraper 28"	
2	1732385A	1	BLADE, Scraper 30"	
2	1709948A	1	BLADE, Scraper 32"	
3	1960699	7	CARRIAGE BOLT, 5/16-18 x 5/8 G5	
4	1935048	7	NUT, Hex Flange 5/16-18 Two-Way Lock	
5	1727854A	2	SKID, Shoe Reversible	
6	1960711	4	CARRIAGE BOLT, 3/8-16 x 3/4 G5	
7	1960687	4	NUT, Hex Flange 3/8-16 ESNA	
8	1665980	2	BEARING, Flange	
9	1665982A	1	BEARING, Retainer	
10	1930659	3	RETAINER, Nut, 5/16-18	
11	1960738	3	SCREW, Hex Whiz Lock Flange 5/16-18 x 3/4	
12	1729578	1	BEARING, Greased	
13	1663189	2	SPACER	
14	1668639D	2	CAP, Bearing	
15	1923325	6	CAPSCREW, Hex Head 5/16-18 x 7/8 G5	
16	1931277	7	NUT, Hex Flange 5/16-18, Whiz Lock	
17	1733209	1	STICK, Cleanout w/Brush	
18	722242	2	CLIP, Retainer	
19	2860604	2	SCREW, Hex Washer Head	
20	1933896	2	NUT, Hex Lock 10-24 w/Nylon Insert	
21	724565	2	BLOCK, Universal Pivot	
22	1733102D	2	CUTTER, Drift w/Tabs	
23	1664847	2	SCREW, Hex Washer Head Taptite 5/16-18 x 3/4	
24	1732608	1	GEAR, 13 Tooth	
25	1960684	2	NUT, Hex KEPS 5/16-18 Conical Washer	
26	1732412	1	BOLT, Shoulder 5/16-18 x 3/5	
27	1925003	8	SCREW, Hex Washer Head Taptite 1/4-20 x 1/2	
28	1732607	1	GEAR, Sector 34 Tooth Powdered Metal	
29	1732602A	1	SUPPORT, Driver Gear	
30	1732227A	1	TUBE	
31	1732606A	1	BRACKET, Gear Support	

Footnotes:

Auger Housing & Chute Group - CE Models

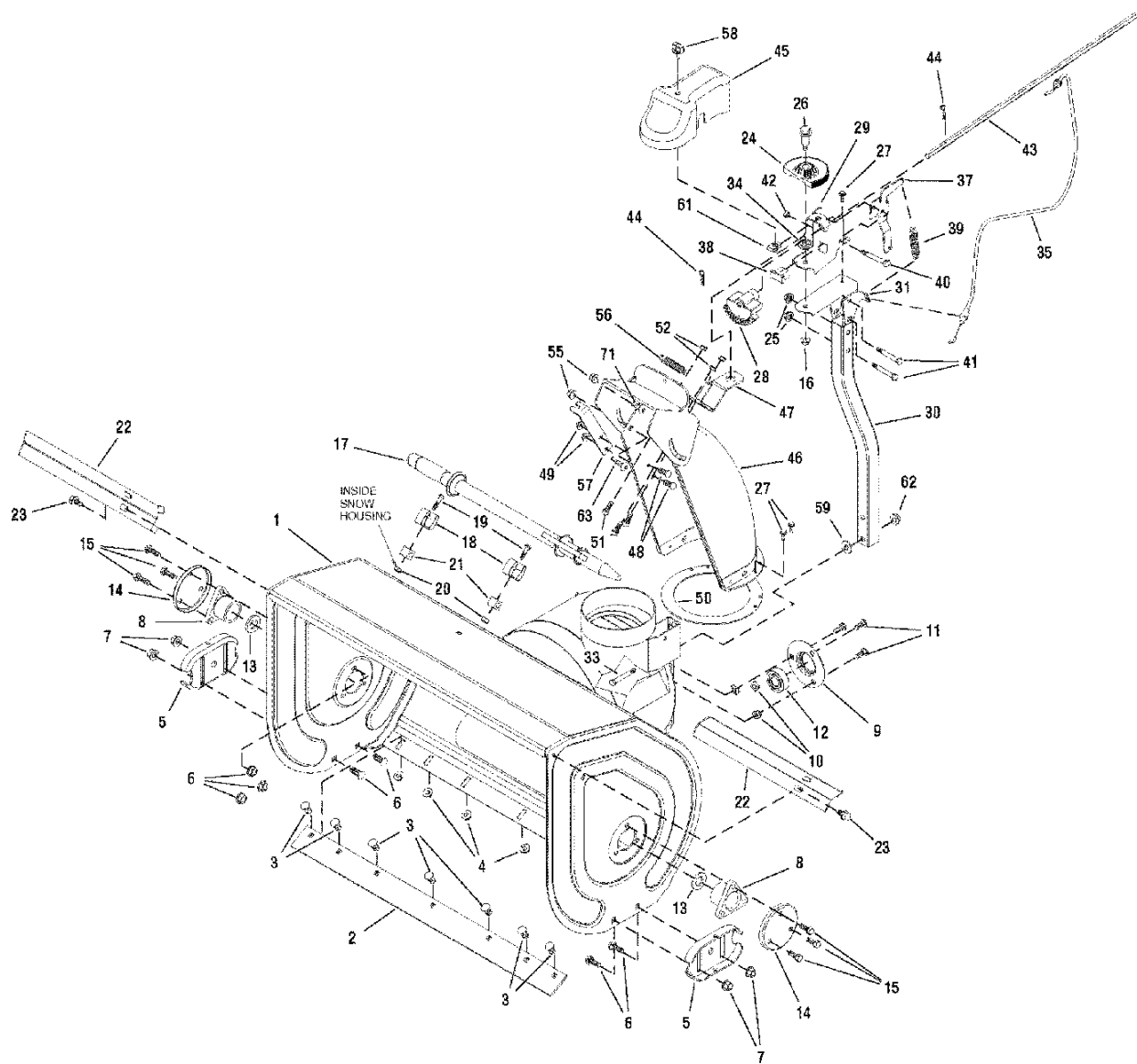


Auger Housing & Chute Group - CE Models

Item	Part No	Qty	Description	Note
33	1960680	2	NUT, Hex Keps, 3/8-16 Conical Washer	
34	1733026	1	WASHER, Powdered Metal	
35	1732238	1	CABLE, Chute Brake	
37	1732837A	1	BRACKET, Brake	
38	1732308	1	ARM & PAD ASSEMBLY, Brake	
39	1679554	1	SPRING, Extension	
40	1923282	1	CAPSCREW, Hex Head 1/4-20 x 2-1/2 G5	
41	1921978	2	CAPSCREW, Hex Head 5/16-18 x 2 G5	
42	1923358	1	NUT, Hex Centerlock 1/4-20	
43	1732231	1	ROD, Hex Chute	
44	1722460	2	PIN, Quick	
45	1732241	1	COVER, Chute	
46	1732506	1	CHUTE & DEFLECTOR ASSEMBLY	
47	1732028A	1	BRACKET, Chute Support	
48	1960252	2	CARRIAGE BOLT, 1/4-20 x 5/8 G5	
49	1960294	2	NUT, Hex Flange 1/4-20 Whiz Lock	
50	1733768A	1	RING, Chute Base	
51	1960715	3	SCREW, Truss Head Torx Drive 1/4-20 x 3/4	
52	1920397	3	NUT, Hex Lock ESNA Light 1/4-20	
55	1960686	3	NUT, Hex Flange 5/16-18 ESNA	
56	1733455	1	SPRING, Extension	
57	1733082A	1	BRACKET, Cable	
58	696239	1	KNOB & SCREW ASSEMBLY	
59	1733475	1	GUARD, Chute	
61	1960593	1	NUT, Retainer Speed #10-24 w/Extrusion	
62	1960140	2	NUT, Push	
63	1960086	2	SCREW, Truss Head Trox Drive 5/16-18 x 7/8	
66	1733476A	1	BRACKET, Chute Guard	
69	1916965	2	LOCKWASHER, Spring 3/8	
71	1921332	1	CAPSCREW, Hex Head 5/16-18 x 3/4 G5	

Footnotes:

Auger Housing & Chute Group - Domestic Models

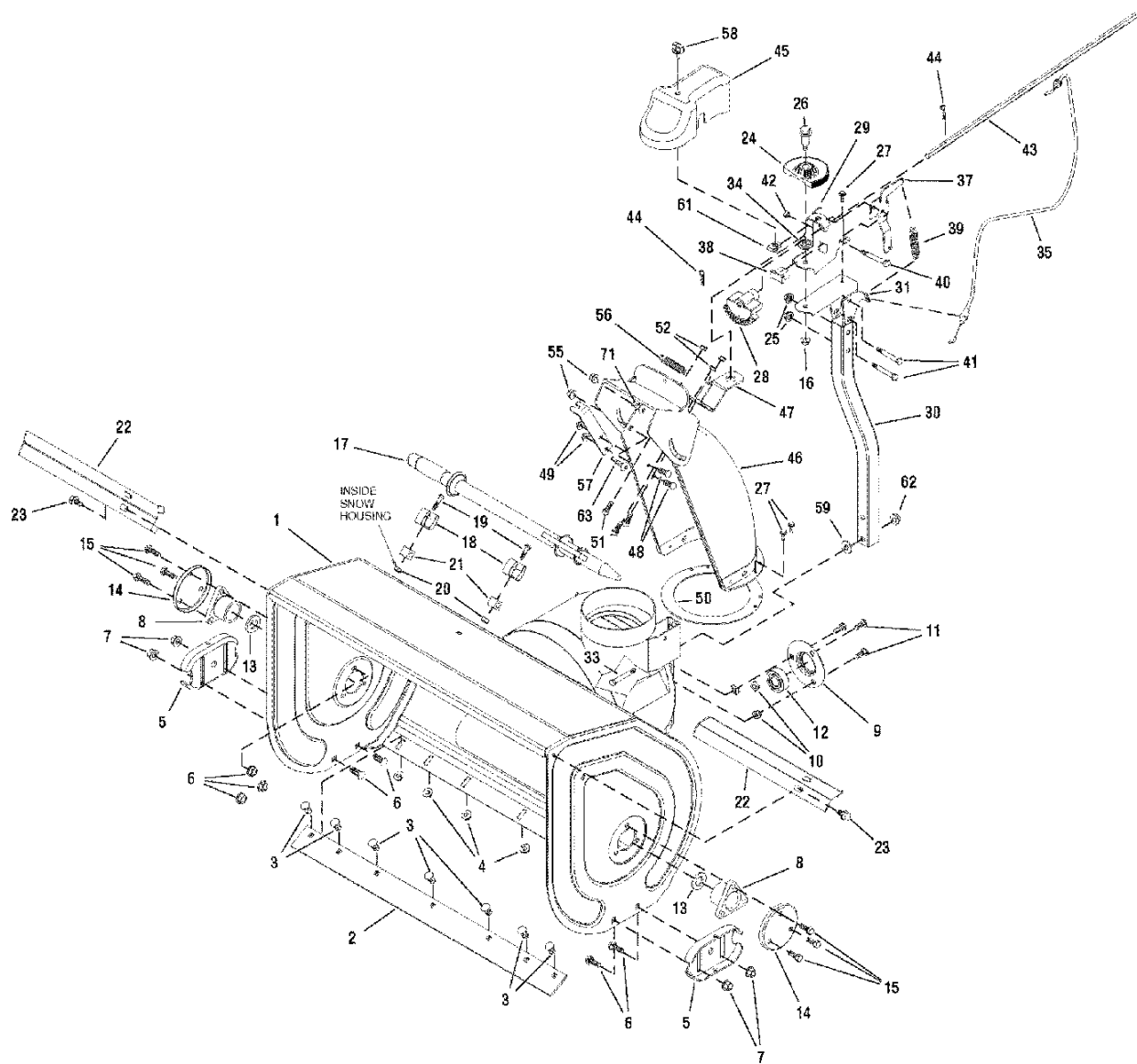


Auger Housing & Chute Group - Domestic Models

Item	Part No	Qty	Description	Note
1	1732268D	1	HOUSING ASSEMBLY, 26"	
1	1732269D	1	HOUSING ASSEMBLY, 28"	
1	1732270D	1	HOUSING ASSEMBLY, 30"	
1	1732008D	1	HOUSING ASSEMBLY, 32"	
2	1732384A	1	BLADE, Scraper 26"	
2	1709947A	1	BLADE, Scraper 28"	
2	1732385A	1	BLADE, Scraper 30"	
2	1709948A	1	BLADE, Scraper 32"	
3	1960699	5/7	CARRIAGE BOLT, 5/16-18 x5/8 G5	
4	1935048	5/7	NUT, Hex Flange Two-Way Lock, 5/16-18	
5	1727854A	2	SKID, Shoe Reversible	
6	1960711	4	CARRIAGE BOLT, 3/8-16 x 3/4 G5	
7	1960687	4	NUT, Hex Flange 3/8-16 ESNA	
8	1665980	2	BEARING, Flange	
9	1665982A	1	BEARING, Retainer	
10	1930659	3	RETAINER, Nut, 5/16-18	
11	1960738	3	SCREW, Hex Whiz Lock Flange, 5/16-18 x 3/4	
12	1729578	1	BEARING	
13	1663189	2	SPACER	
14	1668639D	2	CAP, Bearing	
15	1923325	6	CAPSCREW, Hex Head, 5/16-18 x 7/8 G5	
16	1931277	7	NUT, Hex Flange Whiz Lock, 5/16-18	
17	1733209	1	STICK, Cleanout w/Brush	
18	722242	2	CLIP, Retainer	
19	2860604	2	SCREW, Hex Washer Head	
20	1933896	2	NUT, Hex Lock	
21	724565	2	BLOCK, Universal Pivot	
22	1733102D	2	CUTTER, Drift w/Tabs	
23	1664847	2	SCREW, Hex Washer Head Taptite 5/16-18 x 3/4	
24	1732608	1	GEAR, 13Tooth	
25	1960684	2	NUT, Hex Keps Conical Washer 5/16-18	
26	1732412	1	BOLT, Shoulder 5/16-18	
27	1925003	6	SCREW, Hex Washer Head Taptite 1/4-20 x 1/2	
28	1732607	1	GEAR, 34 Tooth	
29	1732602A	1	SUPPORT, Driver Gear	
30	1732227A	1	TUBE	
31	1732606A	1	BRACKET, Gear Support	

Footnotes:

Auger Housing & Chute Group - Domestic Models

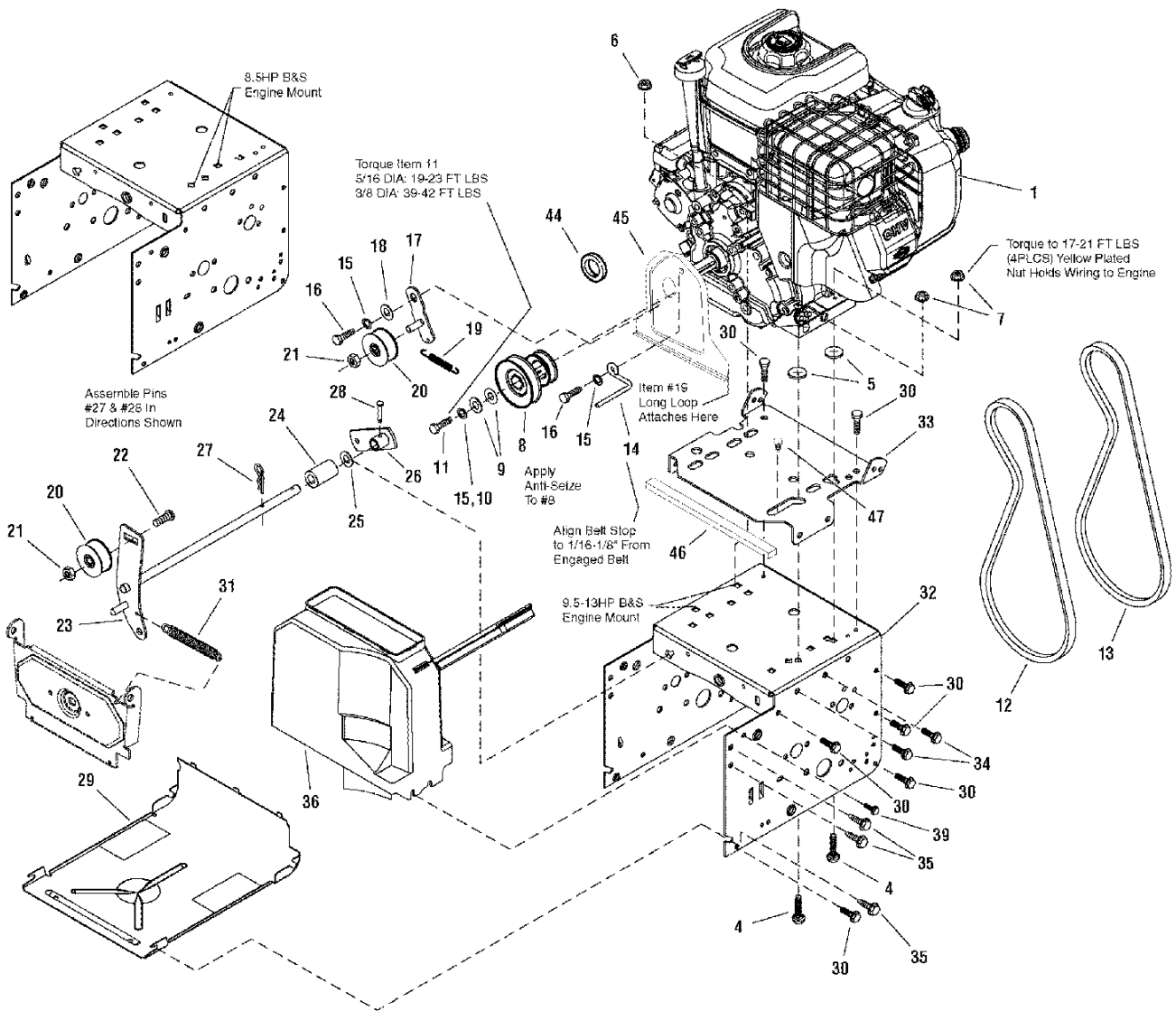


Auger Housing & Chute Group - Domestic Models

Item	Part No	Qty	Description	Note
32	1922755	2	WASHER, 3/8	
33	1923701	2	CAPSCREW, Hex Head 3/8-16 x 2 G5	
34	1733026	1	WASHER, Powdered Metal	
35	1732238	1	CABLE, Chute Brake	
37	1732837A	1	BRACKET, Brake	
38	1732308	1	ARM & PAD ASSEMBLY, Brake	
39	1679554	1	SPRING, Extension	
40	1923282	1	CAPSCREW, Hex Head 1/4-20 x 2-1/2 G5	
41	1921978	2	CAPSCREW, Hex Head 5/16-18 x 2 G5	
42	1923358	1	NUT, Hex Centerlock 1/4-20	
43	1732231	1	ROD, Hex	
44	1722460	2	PIN, Quick	
45	1732241	1	COVER, Chute	
46	1732506	1	CHUTE & DEFLECTOR ASSEMBLY	
47	1732028A	1	BRACKET, Chute Support	
48	1960252	2	CARRIAGE BOLT, 1/4-20 x 5/8 G5	
49	1960294	2	NUT, Hex Flange Whiz Lock 1/4-20	
50	1732172A	1	RING, Chute Base	
51	1960715	3	SCREW, Truss Head Torx 1/4-20 x 3/4	
52	1920397	3	NUT, Hex Lock ESNA Light 1/4-20	
55	1960686	3	NUT, Hex Flange 5/16-18 ESNA	
56	1733455	1	SPRING, Extension	
57	1733082A	1	BRACKET, Cable	
58	696239	1	KNOB & SCREW ASSEMBLY	
59	1916965	2	LOCKWASHER, Spring 3/8	
61	1960593	1	NUT, Retainer Speed #10-24 w/Extrusion	
62	1960680	2	NUT, Hex Keps, 3/8-16 Conical Washer	
63	1960086	2	SCREW, Truss Head Torx 5/16-18 x 7/8	
71	1921332	1	CAPSCREW, Hex Head 5/16-18 x 3/4 G5	

Footnotes:

Engine & Frame Group - CE Models



Engine & Frame Group - CE Models

Item	Part No	Qty	Description	Note
1		1	* ENGINE, 8.5HP B&S Powerbuilt - Model #15A1140117E1	
1		1	* ENGINE, 9.5HP B&S Powerbuilt - Model #20A4140116E1	
1		1	* ENGINE, 10.5HP B&S Powerbuilt - Model #20E2140112E1	
1		1	* ENGINE, 11.5HP B&S Powerbuilt - Model #21C2140113E1	
4	720064	4	CARRIAGE BOLT, 3/16-18 x 1-1/2	
5	720376	4	NUT, Speed	
6	2831277	1	NUT, Hex Flange 5/16-18 Whiz Lock	
7	1960686	3	NUT, Hex Flange 5/16-18 ESNA	
8	722085	1	PULLEY, Engine	
9	1919381	2	WASHER, 3/16	
9	1922755	2	WASHER, 3/8	
10	1916965	1	LOCKWSHER, Spring 3/8	
11	1921982	1	CAPSCREW, Hex Head 3/8-24 x 1-1/4 G5	
11	1960428	1	CAPSCREW, Hex Head 3/16-24 x 1-1/4 G5	
12	1733324	1	V-BELT, 3L 33.13, Drive	
13	1733051	1	V-BELT, 4L 36.5, Auger	
13	1733507	1	V-BELT, 4L 38.5, Auger	
14	1733014	1	STOP, Belt	
15	1917356	3	LOCKWASHER, Spring 3/16	
16	1921515	2	CAPSCREW, Hex Head 5/16-24 x 3/4 G5	
17	722090	1	IDLER BRACKET ASSEMBLY, Drive Belt	
18	722072	1	BUSHING, Idler Bracket	
19	724418	1	SPRING, Extension Idler	
20	722378	2	IDLER, Plastic Ball Bearing	
21	1960251	2	NUT, Hex Centerlock Jam 3/8-16	
22	724823	1	CARRIAGE BOLT, 3/8-16 x 1-1/4	
23	1733055	1	IDLER ASSEMBLY, Auger	
24	722118	1	SPACER/AUGER BRACKET	
25	1960027	1	WASHER, 1/2	
26	1733626	1	BRACKET & HUB ASSEMBLY, Spring	
27	725367	1	PIN, Hair	
28	725675	1	PIN, Clevis	
29	722067A	1	PANEL, Bottom	
30	1927429	12	SCREW, Hex Washer Head Taptite 1/4-20 x 5/8	
31	722455	1	SPRING, Extension Auger Idler	
32	722061D	1	FRAME BOX, 7.5-8.5HP	
32	1733154D	1	FRAME BOX, Steerable	

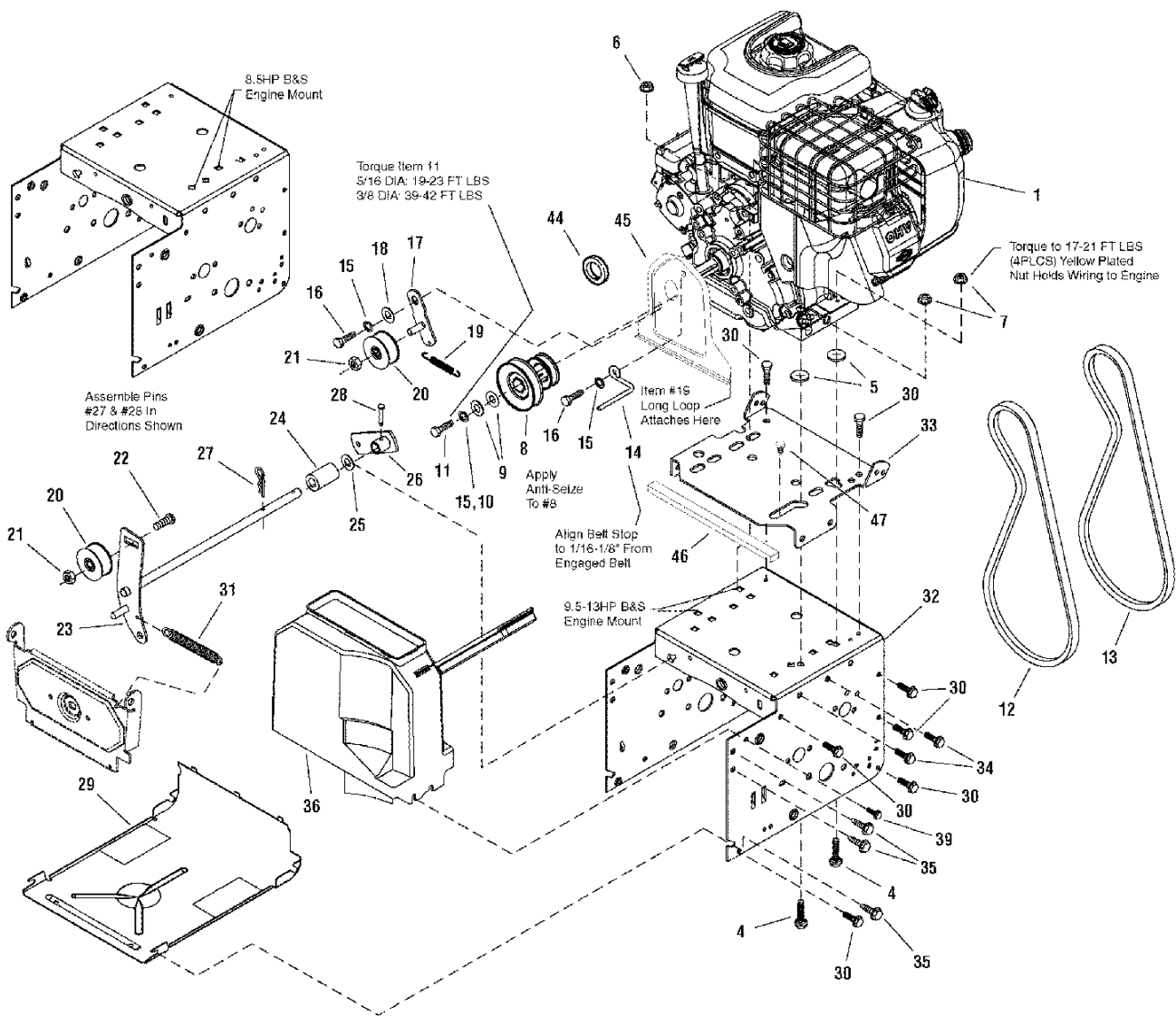
Footnotes:

Note* See your local Briggs & Stratton Distributor for Parts & Service.

Note* See your local Briggs & Stratton Distributor for Parts & Service.

Note* See your local Briggs & Stratton Distributor for Parts & Service.

Note* See your local Briggs & Stratton Distributor for Parts & Service.



Engine & Frame Group - CE Models

Item	Part No	Qty	Description	Note
33	1733583D	1	PLATE, Engine Mount	
34	1924856	4	SCREW, Hex Washer Head Taptite 5/16-18 x 1/2	
35	1664847	6	SCREW, Hex Washer Head Taptite 5/16-18 x 3/4	
36	1732486	1	COVER, Belt w/Toolbox B&S	
39	722887	2	SCREW, 1/4-AB x 3/4 Hex	
44	1733898	1	SHAFT, Seal	
45	1733868A	1	SEAL, Plate	
46	1733897	1	SEAL, Strip	
47	1733924	1	CLIP, Pine Tree	

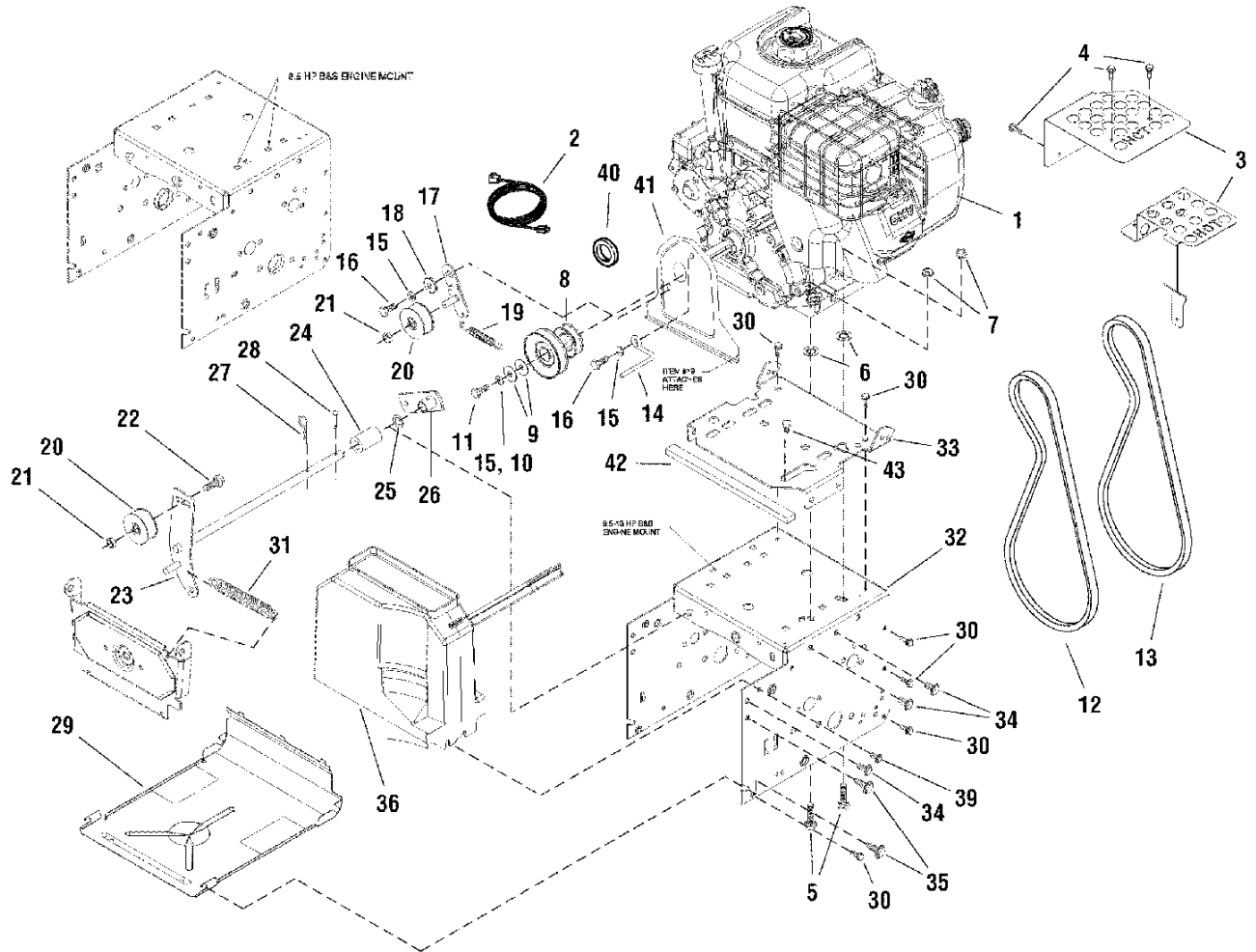
Footnotes:

Note* See your local Briggs & Stratton Distributor for Parts & Service.

Note* See your local Briggs & Stratton Distributor for Parts & Service.

Note* See your local Briggs & Stratton Distributor for Parts & Service.

Note* See your local Briggs & Stratton Distributor for Parts & Service.



Engine Group - Domestic Models

Item	Part No	Qty	Description	Note
1		1	* ENGINE, 8.5HP B&S Powerbuilt - Engine Model #14A1140116E1	
1		1	* ENGINE, 9.5HP B&S Powerbuilt - Engine Model #20A4140115E1	
1		1	* ENGINE, 10.5HP B&S Powerbuilt - Engine Model #20E2140111E1	
1		1	* ENGINE, 11.5HP B&S Powerbuilt - Engine Model #21C2140112E1	
2	1724064	1	CORD, Electric Start	
3	1725664A	1	GUARD, Muffler	
3	7300133A	1	GUARD, Muffler (8.5HP)	
4	1929477	3	SCREW, Hex Washer Head Taptite	
5	720064	4	CARRIAGE BOLT, 5/16-18 x 1-1/2	
6	720376	4	NUT, Speed	
7	2831277	1	NUT, Hex Flange 5/16-18 Whiz Lock	
7	1960686	3	NUT, Hex Flange 5/16-18 ESNA	
8	722085	1	PULLEY, Engine	
9	1922755	2	WASHER, 3/8	
9	1919381	2	WASHER, 5/16-1 (8.5HP)	
10	1916965	1	LOCKWASHER, Spring 3/8	
11	1960428	1	CAPSCREW, Hex Head 3/8-24 x 1-1/4 G8	
11	1921982	1	CAPSCREW, Hex Head 3/16-24 x 1-1/4 G8 (8.5HP)	
12	1733324	1	V-BELT, 3L 33.13, Drive	
13	1733507	1	V-BELT, 4L 38.50, Auger	
13	1733051	1	V-BELT, 4L 36.50, Auger	
14	1733014	1	STOP, Belt	
15	1917356	2/3	LOCKWASHER, Spring 5/16	
16	1921515	2	CAPSCREW, Hex Head 5/16-24 x 3/4 G5	
17	722090	1	IDLER BRACKET ASSEMBLY, Drive Belt	
18	722072	1	BUSHING, Idler Bracket	
19	724418	1	SPRING, Extension Idler	
20	722378	2	IDLER, Plastic Ball Bearing	
21	1960251	2	NUT, Hex Centerlock Jam 3/8-16	
22	724823	1	CARRIAGE BOLT, 3/8-16 x 1-1/4	
23	722132	1	IDLER, Auger (10.5 - 11.5HP)	
23	1733055	1	IDLER, Auger (8.5 - 9.5HP)	
24	722118	1	SPACER/AUGER BRACKET	
25	1960027	1	WASHER, 1/2	
26	1733626	1	BRACKET & HUB ASSEMBLY, Spring	
27	725367	1	PIN, Hair	
28	725675	1	PIN, Clevis	

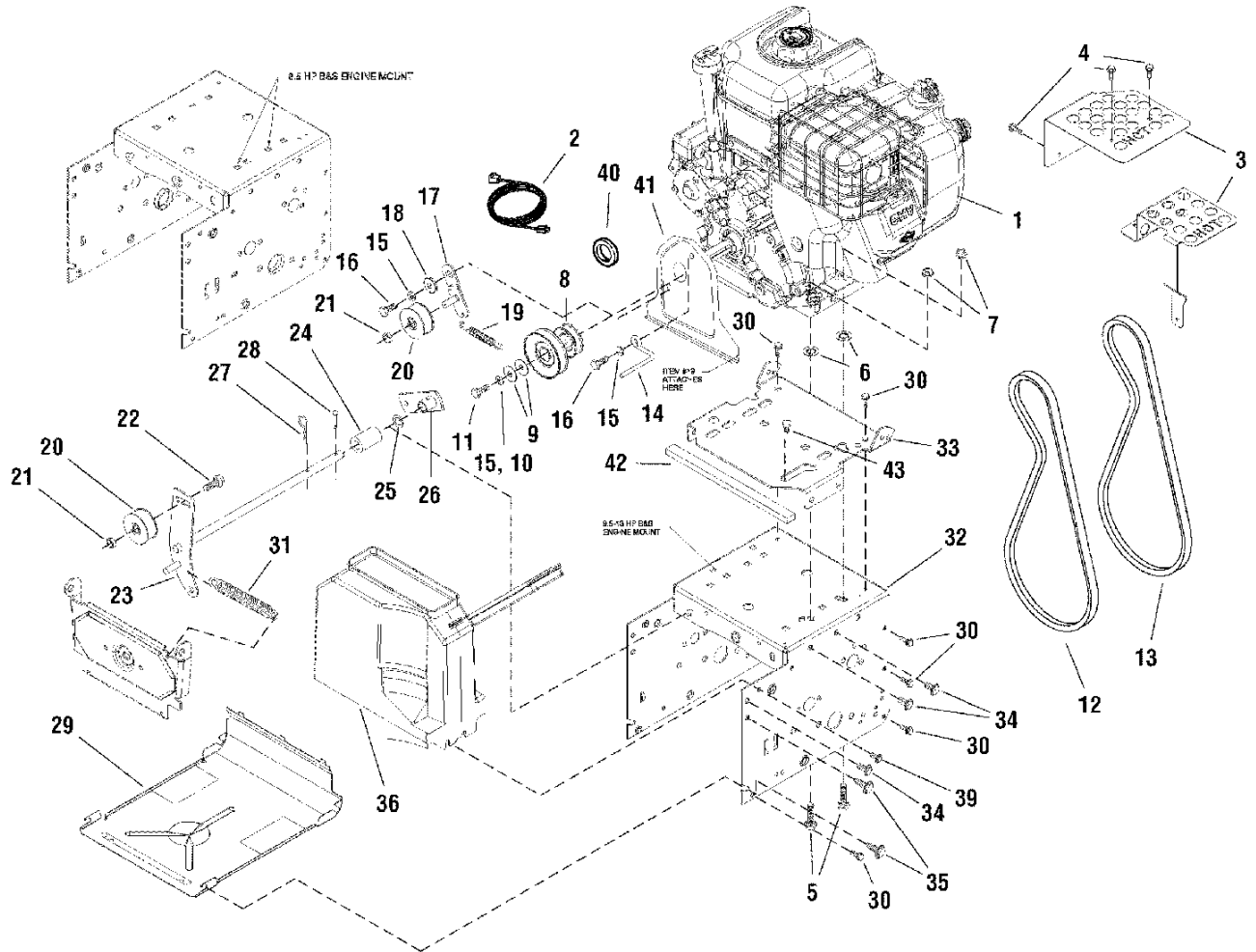
Footnotes:

Note* See your local Briggs & Stratton Distributor for Parts & Service.

Note* See your local Briggs & Stratton Distributor for Parts & Service.

Note* See your local Briggs & Stratton Distributor for Parts & Service.

Note* See your local Briggs & Stratton Distributor for Parts & Service.



Engine Group - Domestic Models

Item	Part No	Qty	Description	Note
29	722067A	1	PANEL, Bottom	
30	1927429	12	SCREW, Hex Washer Head Taptite 1/4-20 x 5/8	
31	722455	1	SPRING, Extension Auger Idler	
32	1733154D	1	FRAME, EZ Turn Axle	
32	722061D	1	FRAME, EZ Turn Axle (8.5HP)	
33	1733583D	1	PLATE, Engine Mount	
34	1924856	4	SCREW, Hex Washer Head Taptite 5/16-18 x 1/2	
35	1664847	6	SCREW, Hex Washer Head Taptite 5/16-18 x 3/4	
36	1732486	1	COVER, Belt w/Toolbox B&S	
39	722887	2	SCREW, 1/4-AB x 3/4 Hex	
40	1733898	1	SHAFT, Seal	
41	1733868A	1	SEAL, Plate	
42	1733897	1	SEAL, Strip	
43	1733924	1	CLIP, Pine Tree	

Footnotes:

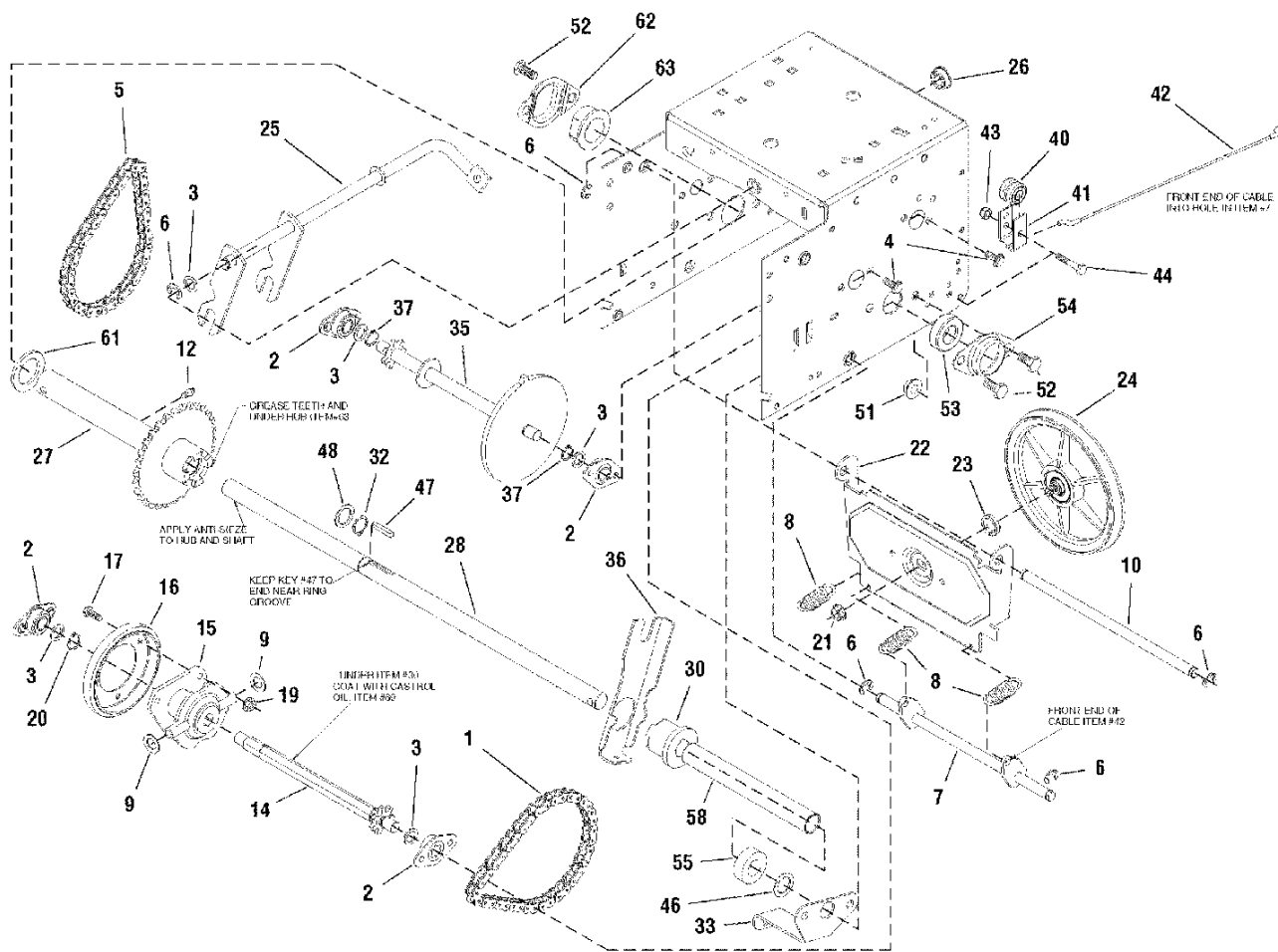
Note* See your local Briggs & Stratton Distributor for Parts & Service.

Note* See your local Briggs & Stratton Distributor for Parts & Service.

Note* See your local Briggs & Stratton Distributor for Parts & Service.

Note* See your local Briggs & Stratton Distributor for Parts & Service.

Traction Drive Group - EZ Turn

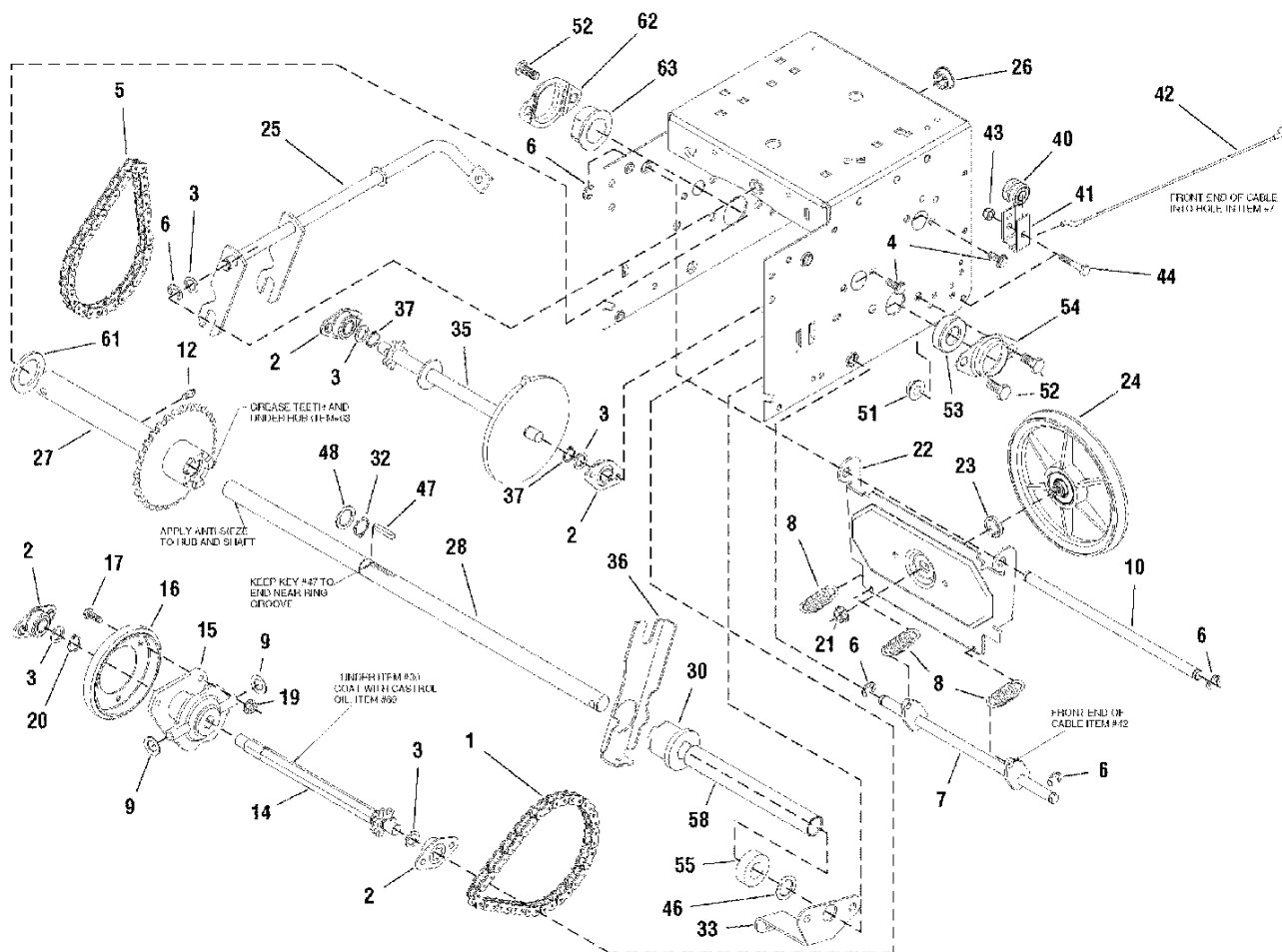


Traction Drive Group - EZ Turn

Item	Part No	Qty	Description	Note
1	724613	1	CHAIN, Roller	
2	723655	4	RETAINER & BUSHING ASSEMBLY	
3	724619	5	WASHER	
4	1924856	8	SCREW, Hex Washer Head Taptite 5/16-18 x 1/2	
5	724627	1	CHAIN, Roller	
6	721910	5	RETAINER, Ring 7/16	
7	722377	1	SPRING LINK ASSEMBLY	
8	722423	3	SPRING, Extension	
9	1960027	2	WASHER, 1/2	
10	722082	1	AXLE, Swing Plate	
12	2812808	1	FITTING, Lube	
14	722083	1	HEX SHAFT & SPROCKET ASSEMBLY	
15	723694	1	HUB, Friction Wheel & Bearing	
16	722185	1	WHEEL, Friction	
17	1921959	3	CAPSCREW, Hex Head 1/4-20 x 5/8 G5	
19	1928372	3	NUT, Hex KEPS 1/4-20	
20	724620	1	RING, Retaining Extension	
21	722391	1	NUT, 3/8-24 Flange Lock	
22	722069	1	PLATE, Swinging	
23	722110	1	SPACER, Friction Pulley	
24	722092	1	FRICITION PULLEY ASSEMBLY	
25	722087	1	SPEED SELECT ASSEMBLY	
26	724636	1	BEARING, Flange	
27	1733085	1	SPROCKET & HUB ASSEMBLY, W/Bushings	
28	1732381	1	AXLE	
30	1732382	1	GEAR, Clutching Powdered Metal	
32	2827732	1	RING, Retaining Extension	
33	1732948A	1	SUPPORT, Clutch Cable	
35	1732389	1	SPROCKET & SHAFT ASSEMBLY	
36	1732383A	1	ARM, Clutch	
37	2860386	2	RING, Retaining Extension	
40	724621	1	SPOOL CABLE, Auger Control	
41	722070	1	BRACKET, Cable Spool	
42	722095	1	CABLE, Front Drive Lower All	
43	1920397	1	NUT, Hex Lock ESNA Light 1/4-20	
44	1922837	1	CAPSCREW, Hex Head 1/4-20 x 1-1/2 G5	
46	725394	1	WASHER, Flat	

Footnotes:

Traction Drive Group - EZ Turn

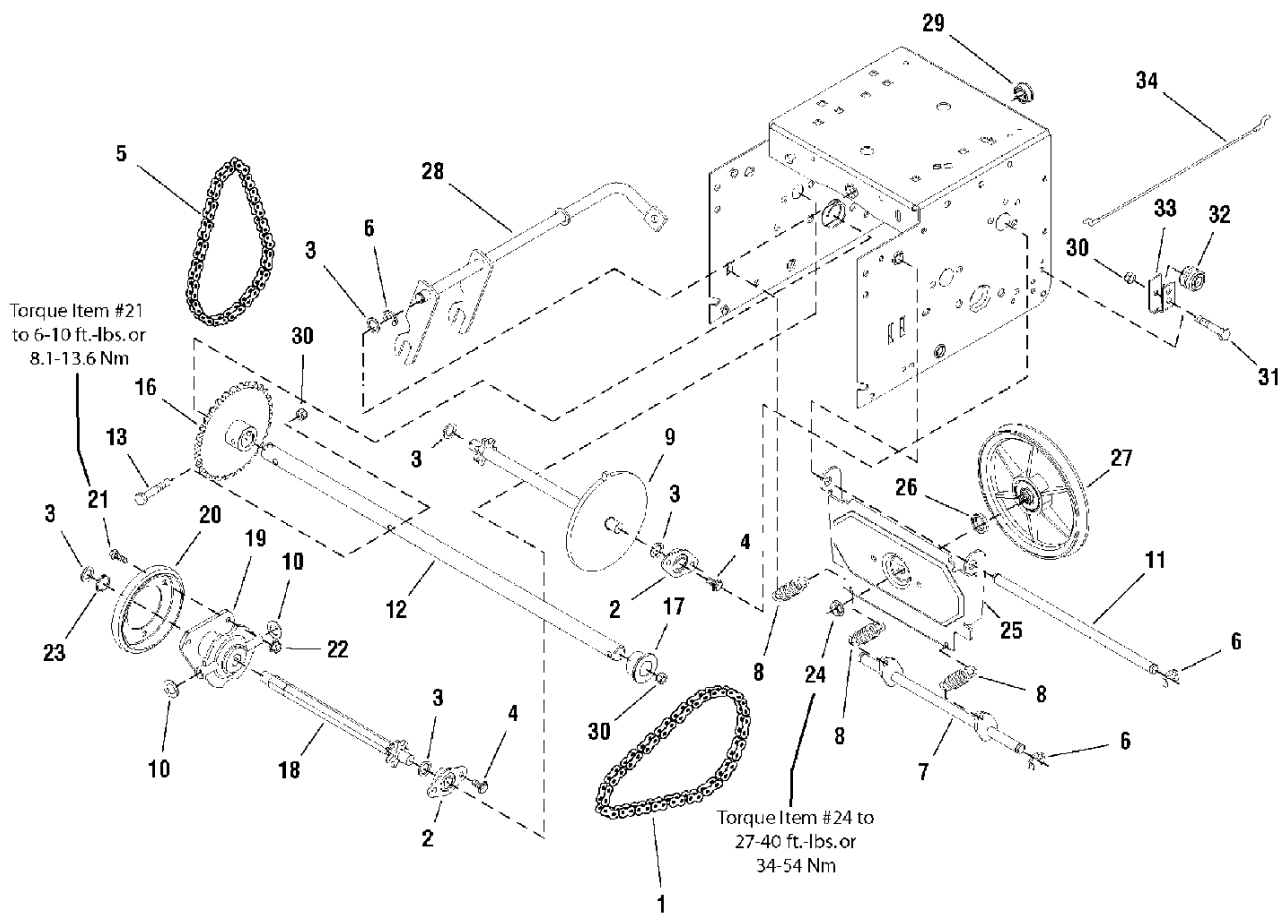


Traction Drive Group - EZ Turn

Item	Part No	Qty	Description	Note
47	1667622	1	KEY, Hi Pro	
48	1960114	4	WASHER, 3/4	
51	1928352	4	NUT, Hex Flange 3/8-16 Whiz Lock	
52	1921965	4	CAPSCREW, Hex Head 3/8-16 x 3/4 G5	
53	724409	1	BEARING, Ball	
54	724347	1	RETAINER, Bearing	
55	722228	1	COLLAR, Locking	
58	1720298	1	SPRING, Compression	
61	2860169	1	WASHER, 1-3/16	
62	1733101	1	RETAINER, Bushing	
63	1720305	1	BUSHING	

Footnotes:

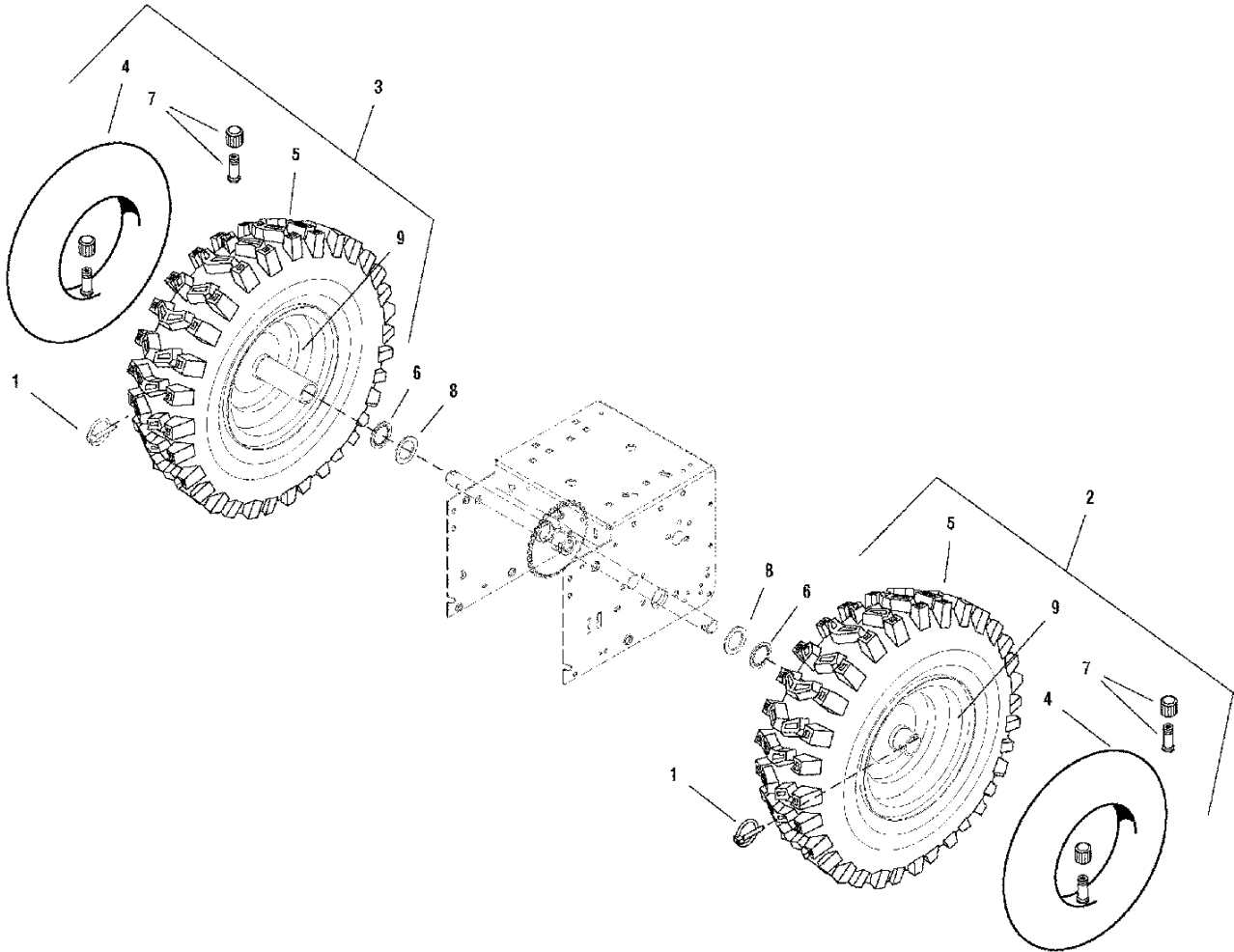
Traction Drive Group - Standard



Traction Drive Group - Standard

Item	Part No	Qty	Description	Note
1	724613	1	CHAIN, Roller	
2	723655	4	RETAINER & BUSHING ASSEMBLY	
3	724619	5	WASHER	
4	1924856	8	SCREW, Hex Washer Head Taptite 5/16-18 x 1/2	
5	724627	1	CHAIN, Roller	
6	721910	5	RETAINER, Ring 7/16	
7	722377	3	SPRING LINK ASSEMBLY STANDARD	
8	722423	1	SPRING, Extension	
9	722081	2	SPROCKET, Set	
10	1960027	1	WASHER, 1/2	
11	722082	1	AXLE, Swing Plate	
12	722211	1	AXLE	
13	720220	1	BOLT, Hex 1/4-20 x 1-3/4	
16	722080	2	SPROCKET, Axle	
17	722091	1	BEARING, Axle D-Hole	
18	722083	1	HEX SHAFT & SPROCKET ASSEMBLY	
19	723694	1	HUB, Friction Wheel & Bearing	
20	722185	3	WHEEL, Friction	
21	1921959	3	CAPSCREW, Hex Head 1/4-20 x 5/8 G5	
22	1928372	1	NUT, Hex KEPS 1/4-20	
23	724620	1	RING, Retaining, Extension	
24	722391	1	NUT, FlangeLock 38-24	
25	722069	1	PLATE, Swining	
26	722110	1	SPACER, Friction Pulley	
27	722092	1	FRICITION PULLEY ASSEMBLY	
28	722087	1	SPEED SELECT ASSEMBLY	
29	724636	2	BEARING, Flange	
30	1920397	1	NUT, Hex Lock ESNA Light 1/4-20	
31	1922837	1	CAPSCREW, Hex Head 1/4-20 x 1-1/2 G5	
32	724621	1	SPOOL CABLE, Auger Control	
33	722070	1	BRACKET, Cable Spool	
34	722095	1	CABLE, Front Drive Lower All	

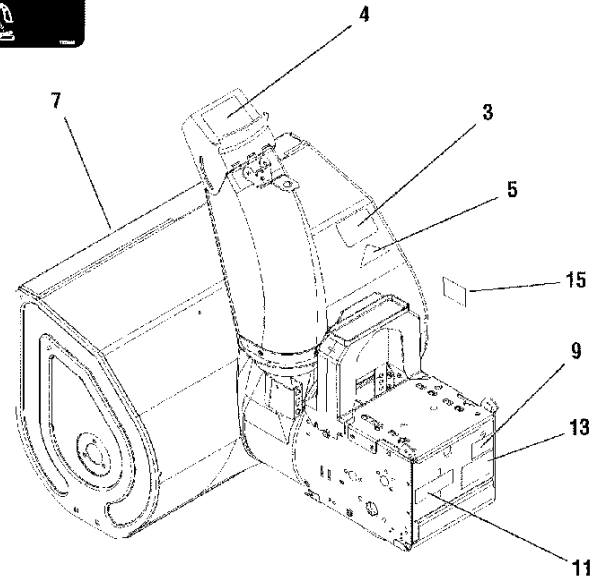
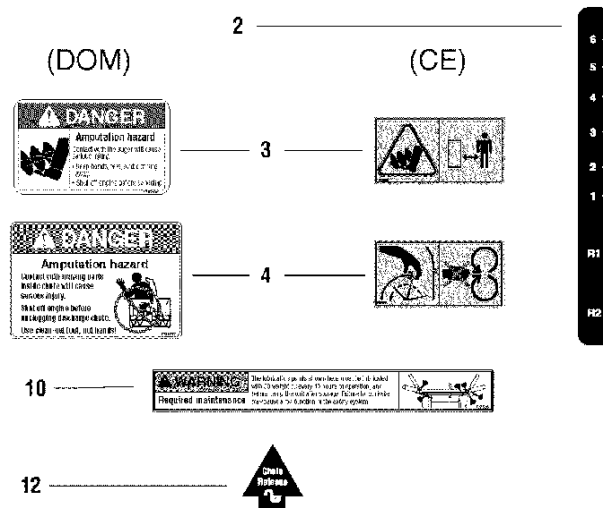
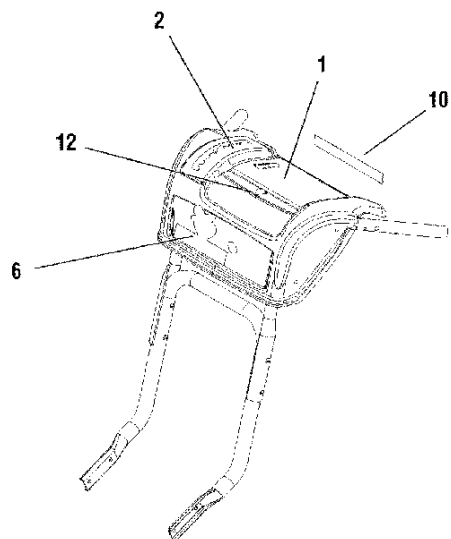
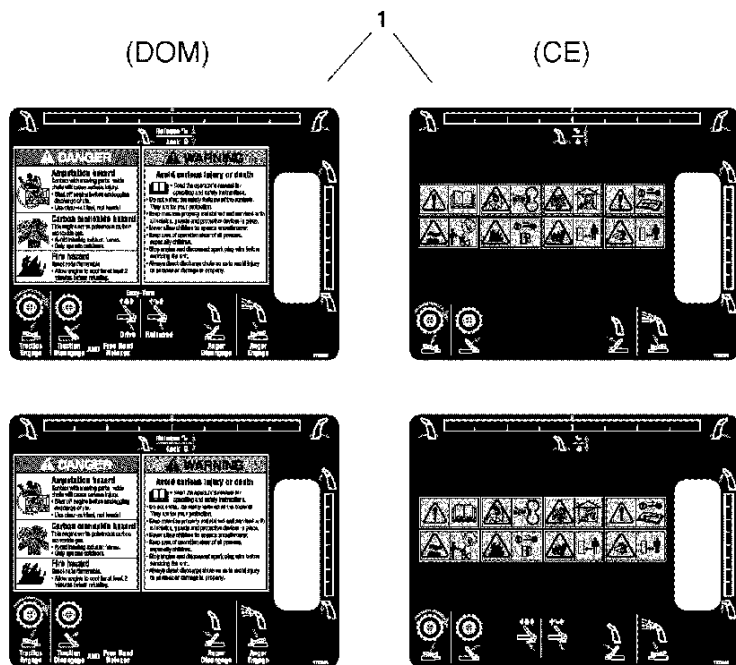
Footnotes:



Wheel & Tire Group

Item	Part No	Qty	Description	Note
1	1731186	2	PIN, Klik .313 x 1.97	<i>(Used on 26" Models)</i>
1	1679697	2	PIN, Klik 1/4 x 1-3/4	<i>(Used on 28", 30" & 32" Models)</i>
2	1732935	1	WHEEL & TIRE ASSEMBLY, 15 x 5 L.H & R.H.	<i>(Used on 26" Models)</i>
2	1723169	1	WHEEL & TIRE ASSEMBLY, 15 x 5 L.H.	<i>(Used on 28" Models)</i>
2	1714235	1	WHEEL & TIRE ASSEMBLY, 16 x 4.8 L.H.	<i>(Used on 30" & 32" Models)</i>
3	1732935	1	WHEEL & TIRE ASSEMBLY, 15 x 5 L.H & R.H.	<i>(Used on 26" Models)</i>
3	1733089	1	WHEEL & TIRE ASSEMBLY, 15 x 5 R.H.	<i>(Used on 28" Models)</i>
3	1720306	1	WHEEL & TIRE ASSEMBLY, 16 x 4.8 R.H.	<i>(Used on 30" & 32" Models)</i>
4	1664090	1	TUBE, Tire 4.10/3.50-6 L.H.	<i>(Used on 28" Models)</i>
4	2153038	1	TUBE, Tire 4.80/4.00 L.H. & R.H.	<i>(Used on 30" & 32" Models)</i>
5	1723287	1	TIRE, 15 x 5.00-6, 2 PLY, KENDA L.H.	<i>(Used on 28" Models)</i>
5	1612000	1	TIRE, 4.80/4.00-8 L.H. & R.H.	<i>(Used on 30" & 32" Models)</i>
6	1657528	2	RETAINING RING, Extension, #75 3/4 Self Lock	<i>(Used on 26" Models)</i>
7	2172353	1	VALVE STEM & CAP	<i>(Used on All Models)</i>
8	725394	2	WASHER, Flat	<i>(Used on 26" Models)</i>
9	1723286	1	HUB, Wheel L.H.	<i>(Used on 28" Models)</i>
9	1714242	1	HUB, Wheel 3.756 Wide 8. L.H.	<i>(Used on 30" & 32" Models)</i>
9	1720307	1	HUB, Wheel 3.75 Wide 8. R.H.	<i>(Used on 30" & 32" Models)</i>

Footnotes:



Decals Group

Item	Part No	Qty	Description	Note
1	1733056	1	DECAL, Dashboard Standard Drive	<i>(Domestic Only)</i>
1	1733033	1	DECAL, Dashboard EZ Turn	<i>(Domestic Only)</i>
1	1733059	1	DECAL, Dashboard Standard Drive	<i>(CE Only)</i>
1	1733060	1	DECAL, Dashboard EZ Turn	<i>(CE Only)</i>
2	1732618	1	DECAL, Shift 1,2,3,4,5,6 R1 R2	
3	1716532	1	DECAL, Danger Avoid Injury From Auger	<i>(Domestic Only)</i>
3	1727208	1	DECAL, Impeller Warning	<i>(CE Only)</i>
4	1733057	1	DECAL, Danger Amputation Hazard	<i>(Domestic Only)</i>
4	1727207	1	DECAL, Chute Warning	<i>(CE Only)</i>
5	1733156	1	DECAL, Opei Certified ANSI	<i>(Domestic Only)</i>
6	1733193	1	DECAL, Snapper, Turtle	
7	1733195	1	DECAL, Snapper 9528L, Stripe	
7	1733194	1	DECAL, Snapper 8526L, Stripe	
7	1733196	1	DECAL, Snapper 10530L, Stripe	
7	1733197	1	DECAL, Snapper 11532L, Stripe	
9	728183	1	DECAL, Over Adjustment of Friction Disc	<i>(Domestic Only)</i>
10	1733526	1	DECAL, Warning Lubrication	<i>(Domestic Only)</i>
11	1720454	1	DECAL, Touch Up Paint Orange, Black, Red	
12	1733443	1	DECAL, Chute Release Arrow	
13	1731420	1	STICKER, Serial w/Bar Code	
15	725432	1	DECAL, Belt Stretch & Adjustment	<i>(Domestic Only)</i>

Footnotes:

Parts Manual for

SNAPPER®

TWO STAGE LARGE FRAME SNOW THROWER SERIES 8

IT IS THE POLICY OF SNAPPER TO IMPROVE ITS PRODUCTS
WHENEVER IT IS POSSIBLE AND PRACTICAL TO DO SO. WE
RESERVE THE RIGHT TO MAKE CHANGES OR ADD IMPROVEMENTS
AT ANY TIME WITHOUT INCURRING ANY OBLIGATION TO MAKE
SUCH CHANGES ON PRODUCTS MANUFACTURED PREVIOUSLY.

SNAPPER® McDonough, GA, 30253 U.S.A.