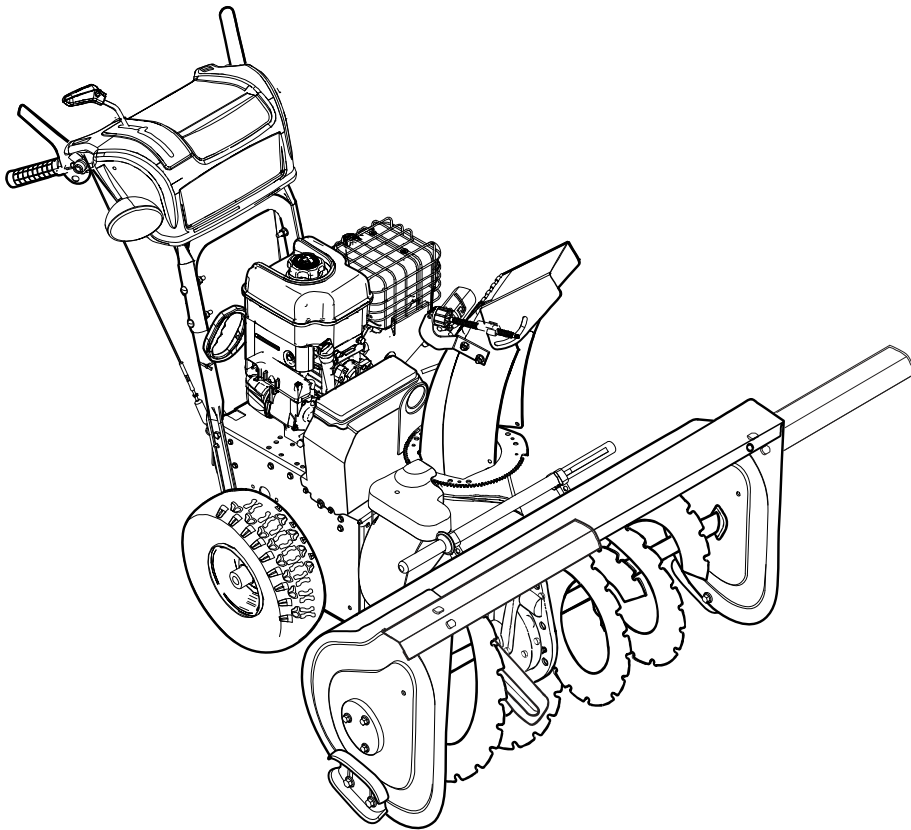


Parts Manual for
SNAPPER®

**26", 28" & 30" TWO STAGE
LARGE FRAME SNOWTHROWERS
2011**

| <i>Model No.</i> | <i>Description</i> |
|------------------|--------------------|
| 1696004 | L1226E |
| 1696005 | L1528E |
| 1696011 | L1528EX |
| 1696006 | L1730E |
| 1696012 | L1730EX |

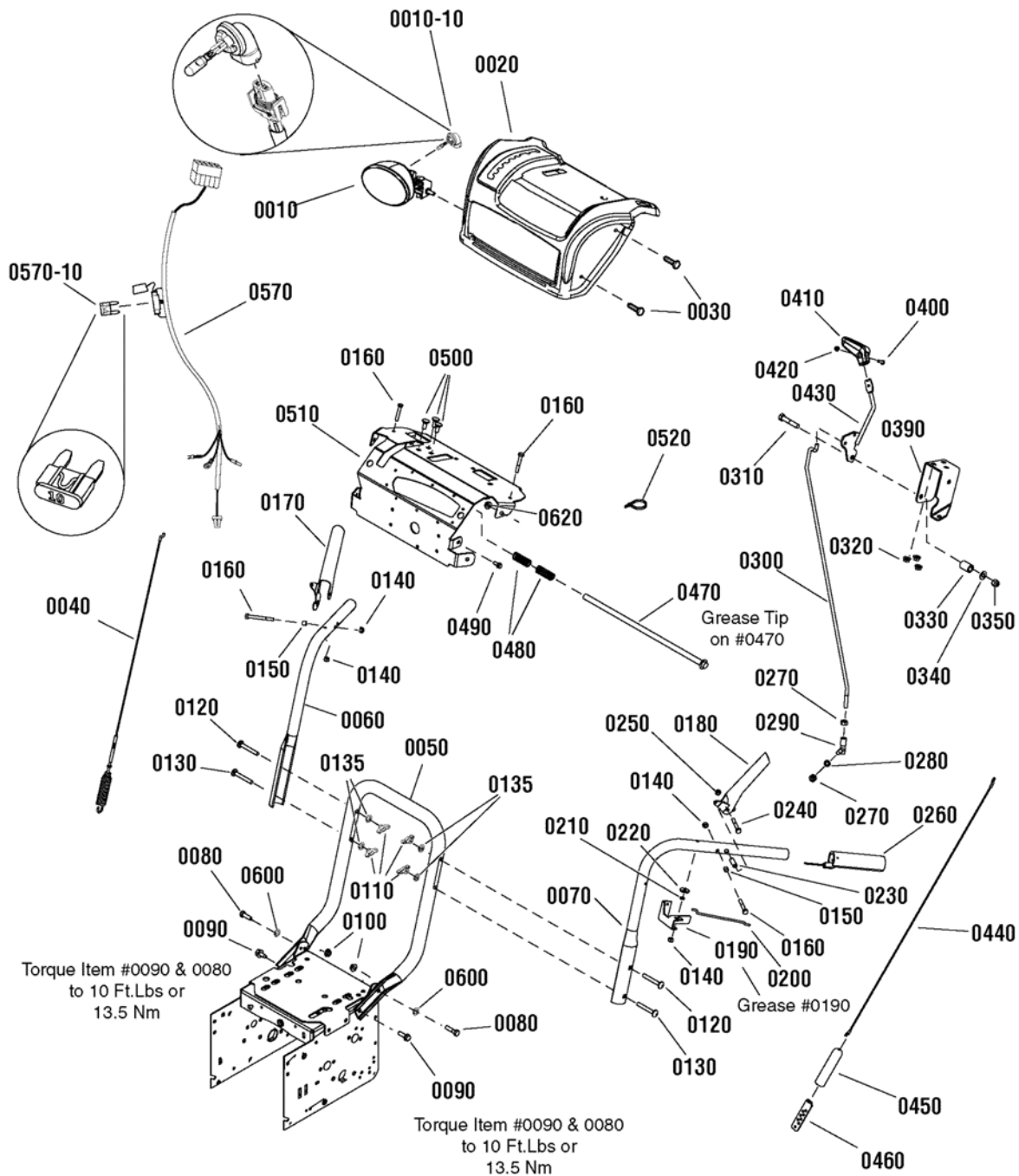


Not for
Reproduction

| PAGE | GROUP |
|-------------|----------------------------------|
| 4 | Handles & Controls Group |
| 8 | Auger Housing Group |
| 10 | Auger Drive Group |
| 12 | Gear Case Assembly - Heavy Duty |
| 14 | Chute & Rotation Group |
| 16 | Engine & Frame Group - 11.5TP |
| 20 | Engine Group - 14.5HP & 16.5HP |
| 24 | Traction Drive Group - Easy Turn |
| 28 | Decals Group |
| 30 | Wheels & Tires Group |

Not for
Reproduction

Handles & Controls Group

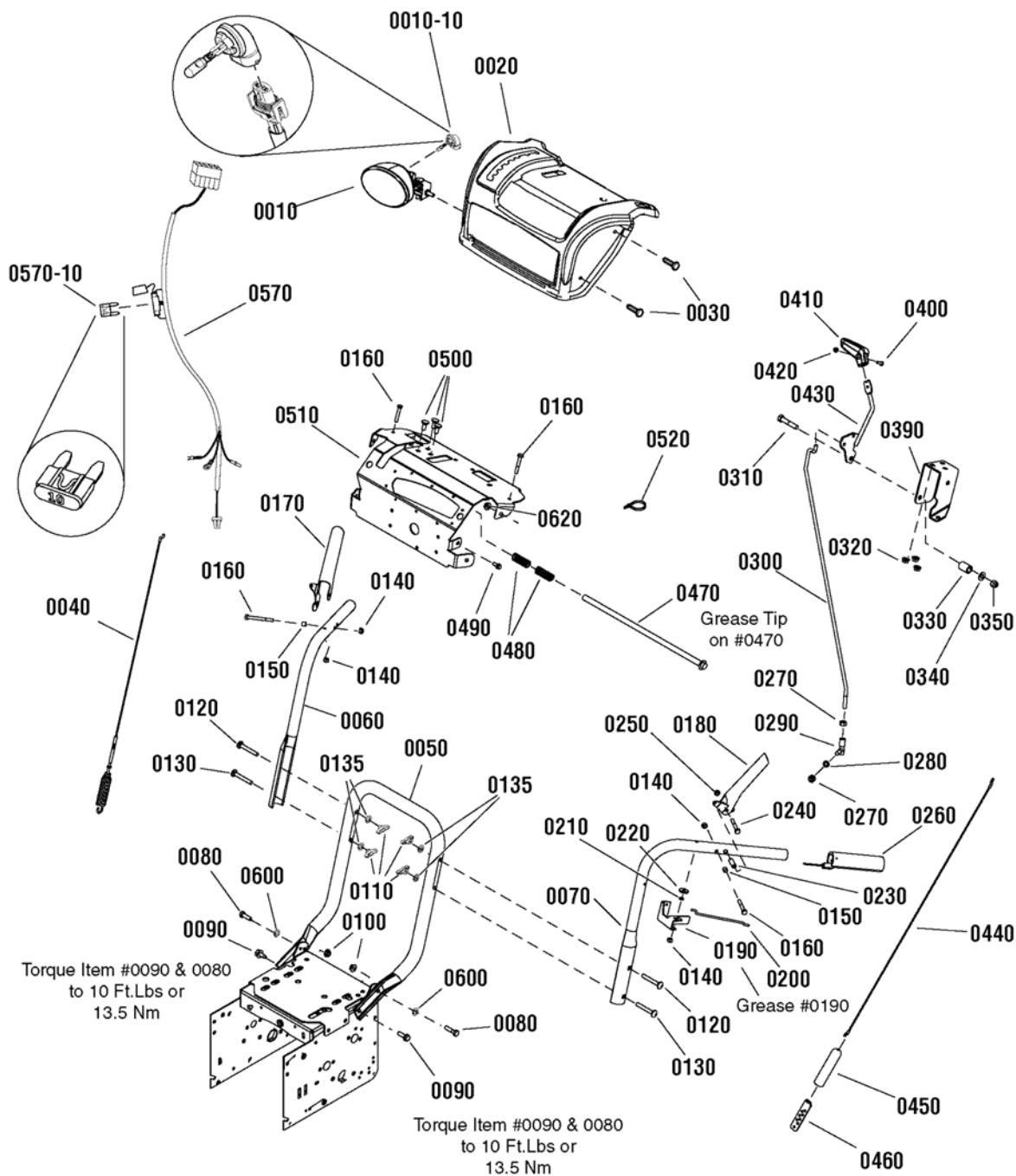


| Item | Part No | Qty | Description |
|-------------|----------------|------------|--|
| 0010 | 1737966 | 1 | HEADLIGHT, Oval |
| 0010-10 | ----- | 1 | * BULB, 881-12V 27W Halogen Lamp (Included with Ref. No. 0010) |
| 0020 | 1738247D | 1 | COVER, Panel |
| 0030 | 1960715 | 3 | SCREW, Truss Head Torx, 1/4-20 x 3/4 |
| 0040 | 1732471 | 1 | CABLE & SPRING ASSEMBLY, Auger Drive, RH |
| 0050 | 1737759A | 1 | HANDLE, Lower |
| 0060 | 1734587A | 1 | HANDLE, Upper, RH |
| 0070 | 1734586A | 1 | HANDLE, Upper, LH |
| 0080 | 1921333 | 2 | CAPSCREW, Hex Head, 5/16-18 x 1, G5 |
| 0090 | 1664847 | 2 | SCREW, Hex Washer Head, Taptite, 5/16-18 x 3/4 |
| 0100 | 1935048 | 2 | NUT, Hex Flange, Two Way Lock, 5/16-18 |
| 0110 | 7035744 | 4 | KNOB, Wiing, 5/16-18 |
| 0120 | 1750299 | 2 | BOLT, Carriage, Curved Head, 5/16-18 x 2-1/4 |
| 0130 | 7091189 | 2 | BOLT, Carriage, Curved Head, 5/16-18 x 2 |
| 0135 | 7090391 | 4 | WASHER, Internal Tooth, 5/16 |
| 0140 | 1920397 | 4 | NUT, Hex Lock ESNA Light, 1/4-20 |
| 0150 | 1678392 | 2 | SPACER, 1/4 ID x 3/8 OD x 5/16" |
| 0160 | 1921962 | 4 | CAPSCREW, Hex Head, 1/4-20 x 1-3/4, G5 |
| 0170 | 1739783A | 1 | LEVER, Clutch, RH |
| 0180 | 1739782A | 1 | LEVER, Clutch, LH |
| 0190 | 1733505BM | 1 | BRACKET, Pivot, Free Hand |
| 0200 | 1736360 | 1 | ROD, Hold Down |
| 0210 | 1733095 | 1 | SPACER, 1/4 ID x 3/8 OD x 1/8" |
| 0220 | 1960353 | 1 | WASHER, 1/4 |
| 0230 | 1736542 | 2 | SPACER, Stepped |
| 0240 | 1750554 | 2 | BOLT, Shoulder, 10-24 |
| 0250 | 1933896 | 2 | NUT, Hex Lock, Nylon Insert, 10-24 |
| 0260 | 1726317 | 2 | GRIP |
| 0270 | 2820263 | 2 | NUT, Hex, 5/16-24 |
| 0280 | 1917356 | 1 | LOCKWASHER, Spring, 5/16 |
| 0290 | 1739290 | 1 | BALL JOINT |
| 0300 | 1751543 | 1 | ROD, Speed Control |
| 0310 | 1923701 | 1 | CAPSCREW, Hex Head, 3/8-16 x 2, G5 |
| 0320 | 1931277 | 3 | NUT, Hex Flange, Whiz Lock, 5/16-18 |
| 0330 | 724361 | 1 | SPRING, 3/4" |
| 0340 | 1918266 | 1 | WASHER, 3/8 |
| 0350 | 1919439 | 1 | NUT, Hex Lock ESNA Light, 3/8-16 |
| 0390 | 1737684 | 1 | BRACKET, Controls |
| 0400 | 1960589 | 1 | SCREW, Phillips Head, #10-24 x 3/4 |
| 0410 | 1733192 | 1 | KNOB, Slot Speed |
| 0420 | 1933896 | 1 | NUT, Hex Lock, Nylon Insert, 10-24 |
| 0430 | 1736836 | 1 | SPEED LEVER |
| 0440 | 727331 | 1 | CABLE, Forward Drive |
| 0450 | 723154 | 1 | BOOT, Spring End Cover |

Footnotes:

Note* See your local hardware store for replacement bulbs & fuses.

Handles & Controls Group



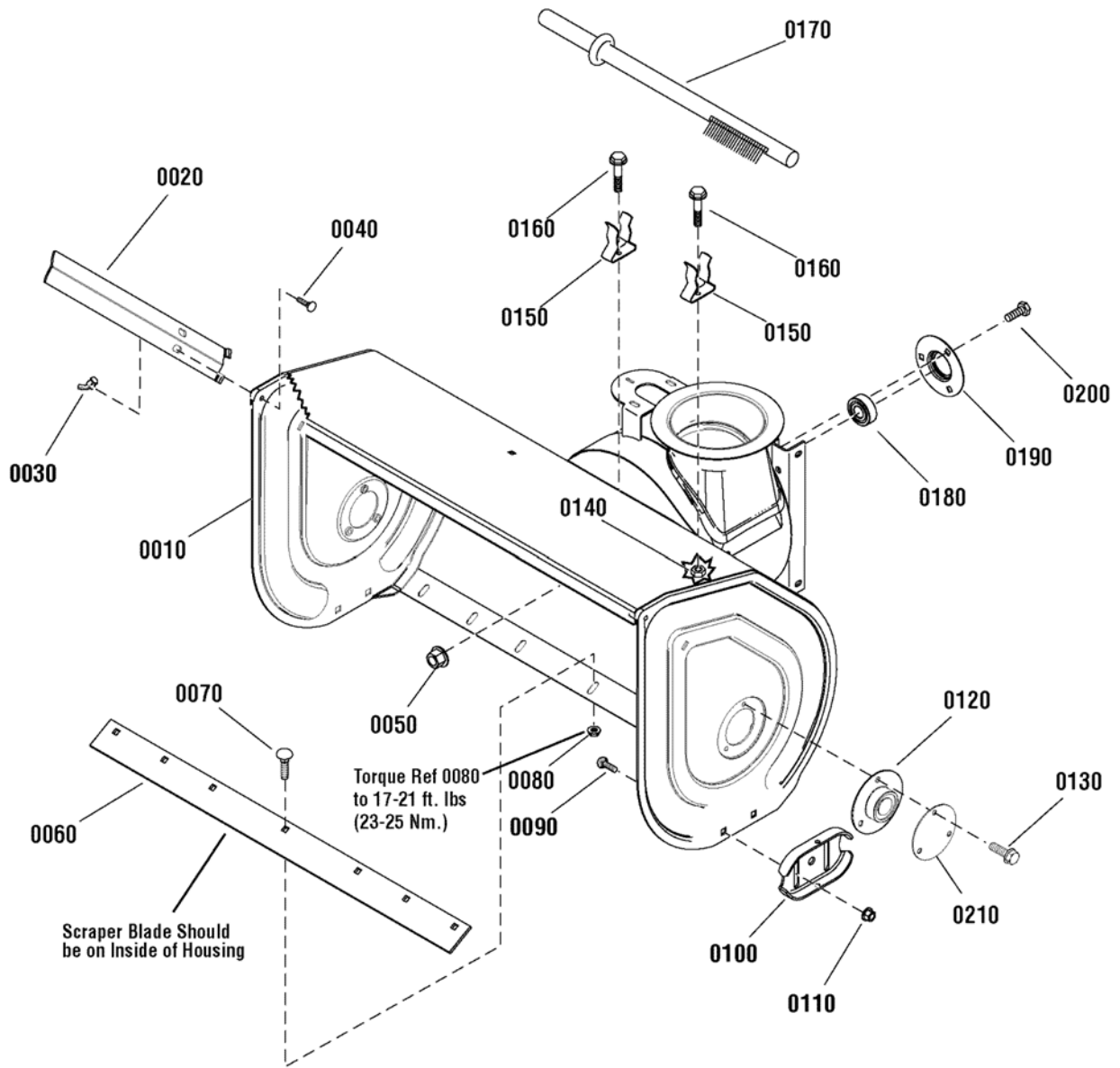
| Item | Part No | Qty | Description |
|-------------|----------------|------------|---|
| 0460 | 723259 | 1 | BRACKET, Cable Adjusting |
| 0470 | 1733509 | 1 | ROD & SPRING ASSEMBLY |
| 0480 | 2108360 | 2 | SPRING, Compression, 2-1/4 |
| 0490 | 1927429 | 2 | SCREW, Hex Washer Head, Taptite, 1/4-20 x 5/8 |
| 0500 | 723873 | 3 | BOLT, Carriage, 5/16-18 x 3/4 |
| 0510 | 1732064BM | 1 | SUPPORT, Dash |
| 0520 | 2825094 | 5 | TIE, Self Lock |
| 0570 | 1750773 | 1 | HARNESS, Deflector |
| 0570-10 | ----- | 1 | * FUSE, 10 Amp (Included with Ref. No 0570) |
| 0600 | 725331 | 2 | WASHER, Flat, 11/32 |
| 0620 | 5025391 | 3 | NUT, Hex Flange, Nylock, 1/4-20 |

Not for
Reproduction

Footnotes:

Note* See your local hardware store for replacement bulbs & fuses.

Auger Housing Group

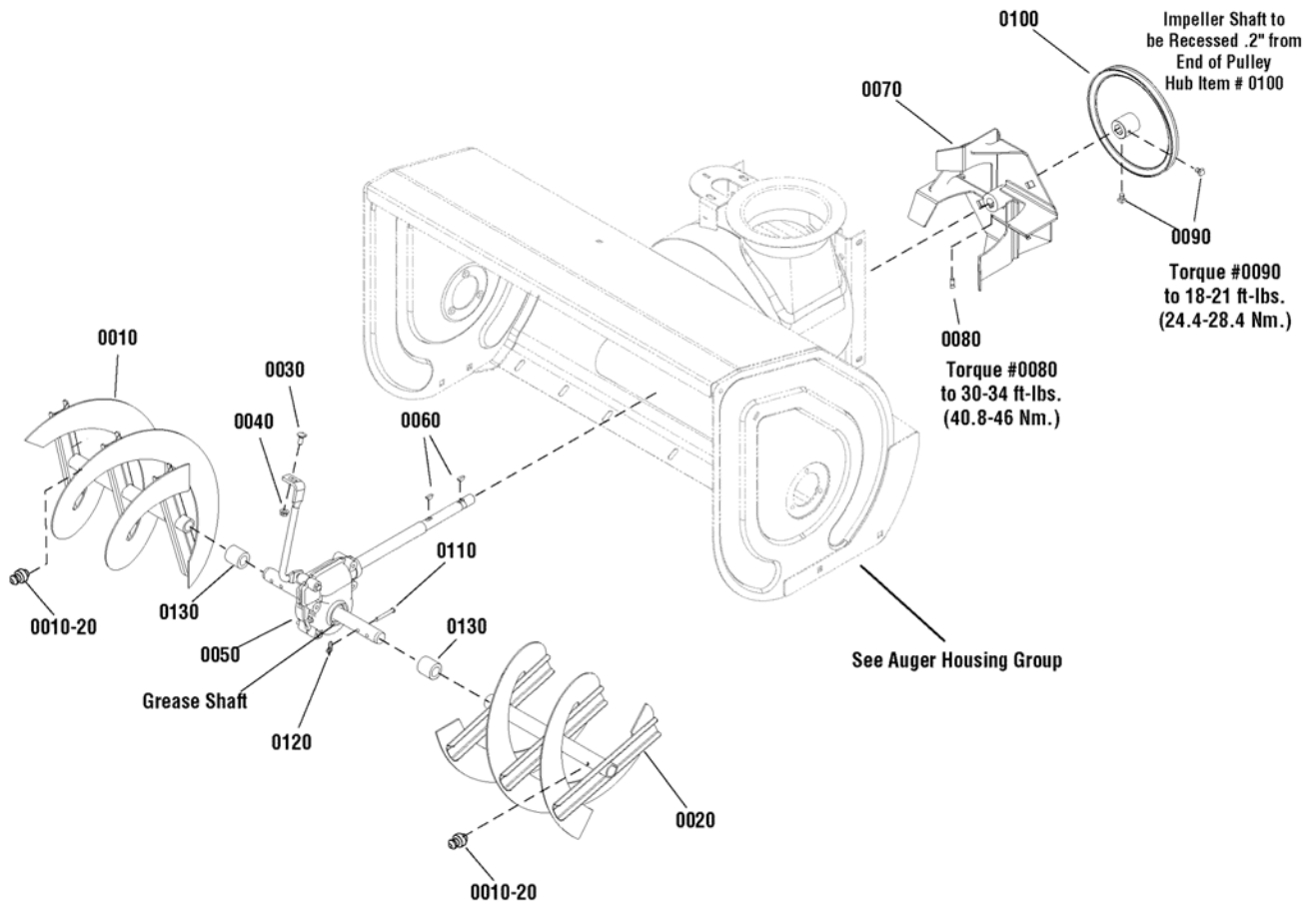


| Item | Part No | Qty | Description |
|-------------|----------------|------------|---|
| 0010 | 1687614 | 1 | AUGER HOUSING ASSEMBLY, 26" |
| 0010 | 1687613 | 1 | AUGER HOUSING ASSEMBLY, 28" |
| 0010 | 1687606 | 1 | AUGER HOUSING ASSEMBLY, 30" |
| 0020 | 1733102BM | 2 | DRIFT CUTTER |
| 0030 | 725347 | 2 | NUT, Wing, Serrated, 5/16-18 |
| 0040 | 723873 | 2 | BOLT, Carriage, 5/16-18 x 3/4 |
| 0050 | 1739305 | 3 | NUT, Hex Flange, ESNA, 5/16-18 |
| 0060 | 1732384BM | 1 | BLADE, Scraper, 26" |
| 0060 | 1709947BM | 1 | BLADE, Scraper, 28" |
| 0060 | 1732385BM | 1 | BLADE, Scraper, 30" |
| 0070 | 1960699 | 7 | BOLT, Carriage, Short Neck, 5/16-18 x 5/8, G5 (Qty 5 used on 26" & 28") |
| 0080 | 1935048 | 7 | NUT, Hex Flange, Two Way Lock, 5/16-18 (Qty 5 used on 26" & 28") |
| 0090 | 1960711 | 4 | BOLT, Carriage, Short Neck, 3/8-16 x 3/4, G5 |
| 0100 | 1727854BM | 2 | SKID SHOE |
| 0110 | 1960687 | 4 | NUT, Hex Flange, ESNA, 3/8-16 |
| 0120 | 1733103 | 2 | BEARING, Flange, 1.383 ID x 3.75OD |
| 0130 | 1931202 | 6 | SCREW, Hex Washer Head, Taptite, 5/16-18 x 1-1/4 |
| 0140 | 722401 | 2 | NUT, Nylock 10 x 24 |
| 0150 | 1736620 | 2 | CLAMP |
| 0160 | 1960569 | 2 | SCREW, Truss Head Torx, #10-24 x 3/8 |
| 0170 | 1736094 | 1 | BRUSH, Cleanout |
| 0180 | 2108202 | 1 | BEARING, Ball, 3/4 ID x 1-3/4 OD |
| 0190 | 1665982 | 1 | RETAINER, Bearing |
| 0200 | 1931333 | 3 | BOLT, Carriage, Short Neck, 5/16-18 x 3/4, G5 |
| 0210 | 1734932BM | 2 | COVER, Bushing |

Not for
Reproduction

Footnotes:

Auger Drive Group

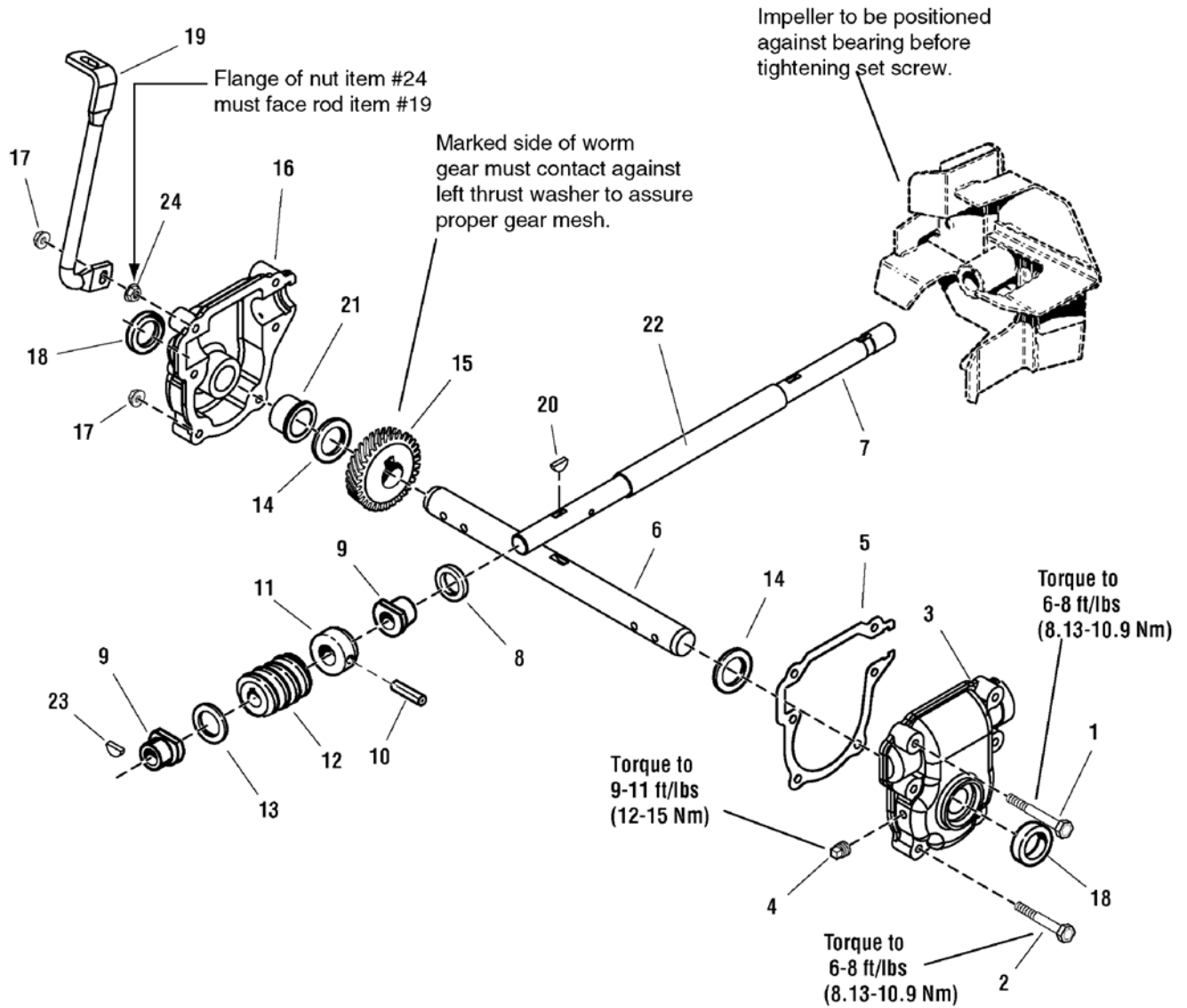


| Item | Part No | Qty | Description |
|-------------|----------------|------------|---|
| 0010 | 1737078BM | 1 | AUGER, RH, 28" / 30" (Includes Ref. No. 0010-20) |
| 0010 | 1737082BM | 1 | AUGER, RH, 26" (Includes Ref. No. 0010-20) |
| 0020 | 1737079BM | 1 | AUGER, LH, 28" / 30" (Includes Ref. No. 0010-20) |
| 0020 | 1737083BM | 1 | AUGER, RH, 26" (Includes Ref. No. 0010-20) |
| 0010-20 | 2821133 | 1 | FITTING, Grease |
| 0030 | 1931333 | 1 | BOLT, Carriage, Short Neck, 5/16-18 x 3/4, G5 |
| 0040 | 1931277 | 1 | NUT, Hex Flange, Whiz Lock, 5/16-18 |
| 0050 | 1732303 | 1 | GEAR CASE ASSEMBLY |
| 0060 | 2818312 | 2 | KEY, Woodruff |
| 0070 | 1612187BM | 1 | IMPELLER |
| 0080 | 1960474 | 1 | SET SCREW, Square Head, 3/8-16 x 1/2, G8 |
| 0090 | 1928721 | 2 | SET SCREW, Square Head, 5/16-18 x 1/2, G8 |
| 0100 | 1732185 | 1 | PULLEY |
| 0110 | 1739295 | 2 | PIN, Shear, 1-3/4" (Use on 28 & 30" Models) |
| 0110 | 1668344 | 2 | PIN, Shear, 1-3/4" (Use on 26" Models) |
| 0120 | 1739292 | 2 | PIN, Cotter, Bow Tie, 3/16 (Use on 28 & 30" Models) |
| 0120 | 7023590 | 2 | PIN, Cotter, Self Locking, 1/4 (Use on 26" Models) |
| 0130 | 1733406 | 2 | SPACER, 1" (Used on 30" Models only) |
| -- | 1751347 | 1 | KIT, Shear Pin (Use on 28 & 30" Models) |
| -- | 1750790 | 1 | KIT, Shear Pin (Use on 26" Models) |

Not for
Reproduction

Footnotes:

Gear Case Assembly - Heavy Duty

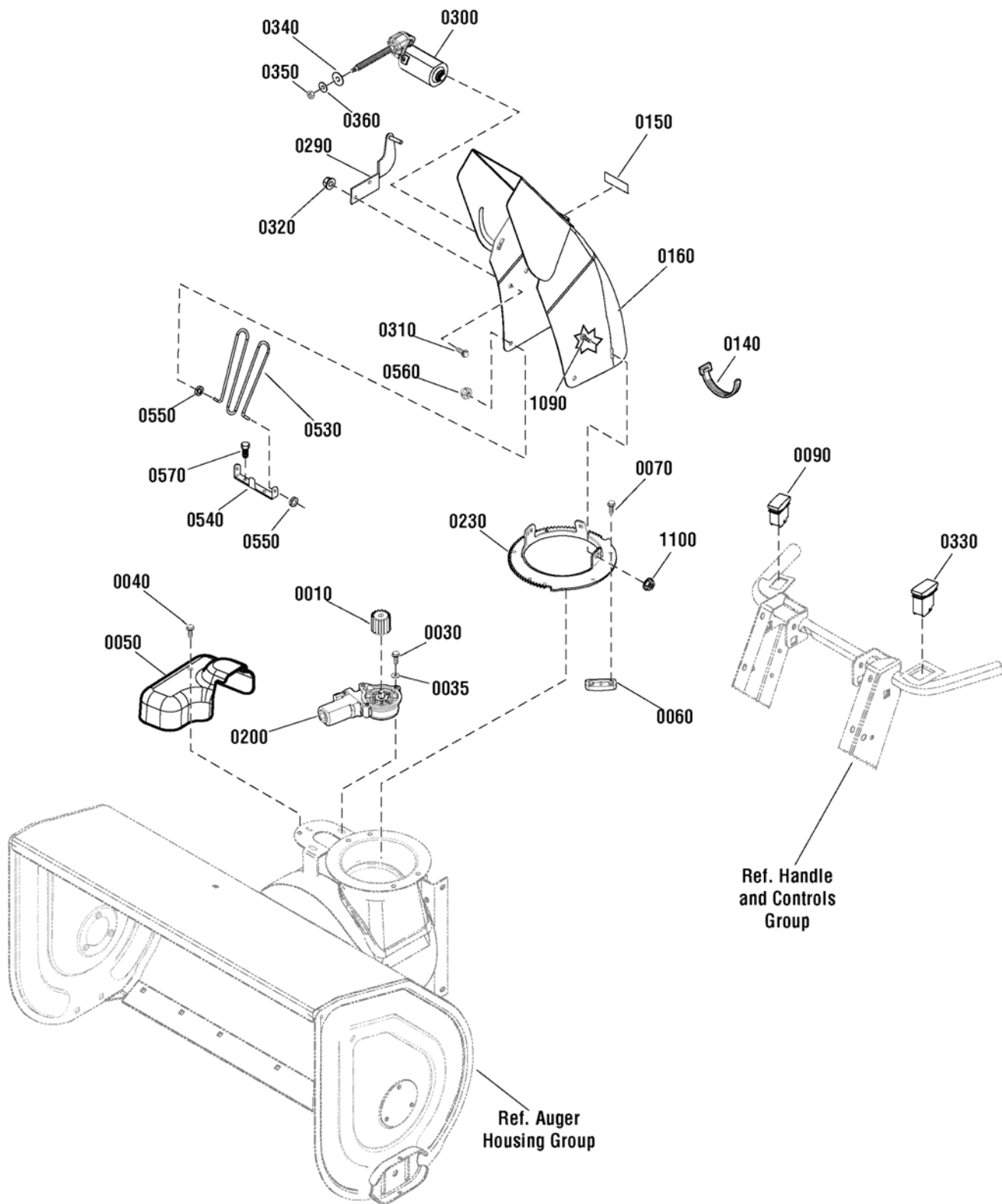


| Item | Part No | Qty | Description |
|-------------|----------------|------------|------------------------------|
| 1 | 1926105 | 1 | CAPSCREW, 1/4-20 x 2-3/4 |
| 2 | 1960346 | 5 | CAPSCREW, 1/4-20 x 2-1/4 |
| 3 | 1734218 | 1 | GEAR CASE, L.H. |
| 4 | 1668971 | 1 | TAPERED PIPE PLUG |
| 5 | 1612124 | 1 | GASKET |
| 6 | 1732440 | 1 | SHAFT, Auger Cutoff |
| 7 | 1732182 | 1 | SHAFT, Worm Cutoff |
| 8 | 1612093 | 1 | SEAL, Oil |
| 9 | 1612149 | 2 | FLANGE BUSHING |
| 10 | 2836098 | 1 | PIN, Drive Lock |
| 11 | 1612127 | 1 | THRUST COLLAR |
| 12 | 1612142 | 1 | ROLLED WORM CASE |
| 13 | 2168111 | 1 | THRUST WASHER |
| 14 | 2118315 | 2 | THRUST WASHER |
| 15 | 1612141 | 1 | GEAR, Worm |
| 16 | 1734219 | 1 | GEAR CASE, R.H. |
| 17 | 1930642 | 6 | NUT, Top Lock Flange, 1/4-20 |
| 18 | 2118118 | 1 | SEAL |
| 19 | 1732152 | 1 | WIREFORM BRACKET |
| 20 | 2818312 | 1 | KEY, Woodruff, .18 x .62 |
| 21 | 1732991 | 2 | BUSHING |
| 22 | 1612111 | 1 | TUBE |
| 23 | 2830246 | 1 | KEY, Woodruff, 1/4 x 3/4 |
| 24 | 1960294 | 1 | NUT, Hex-Flange, 1/4-20 |

Not for
Reproduction

Footnotes:

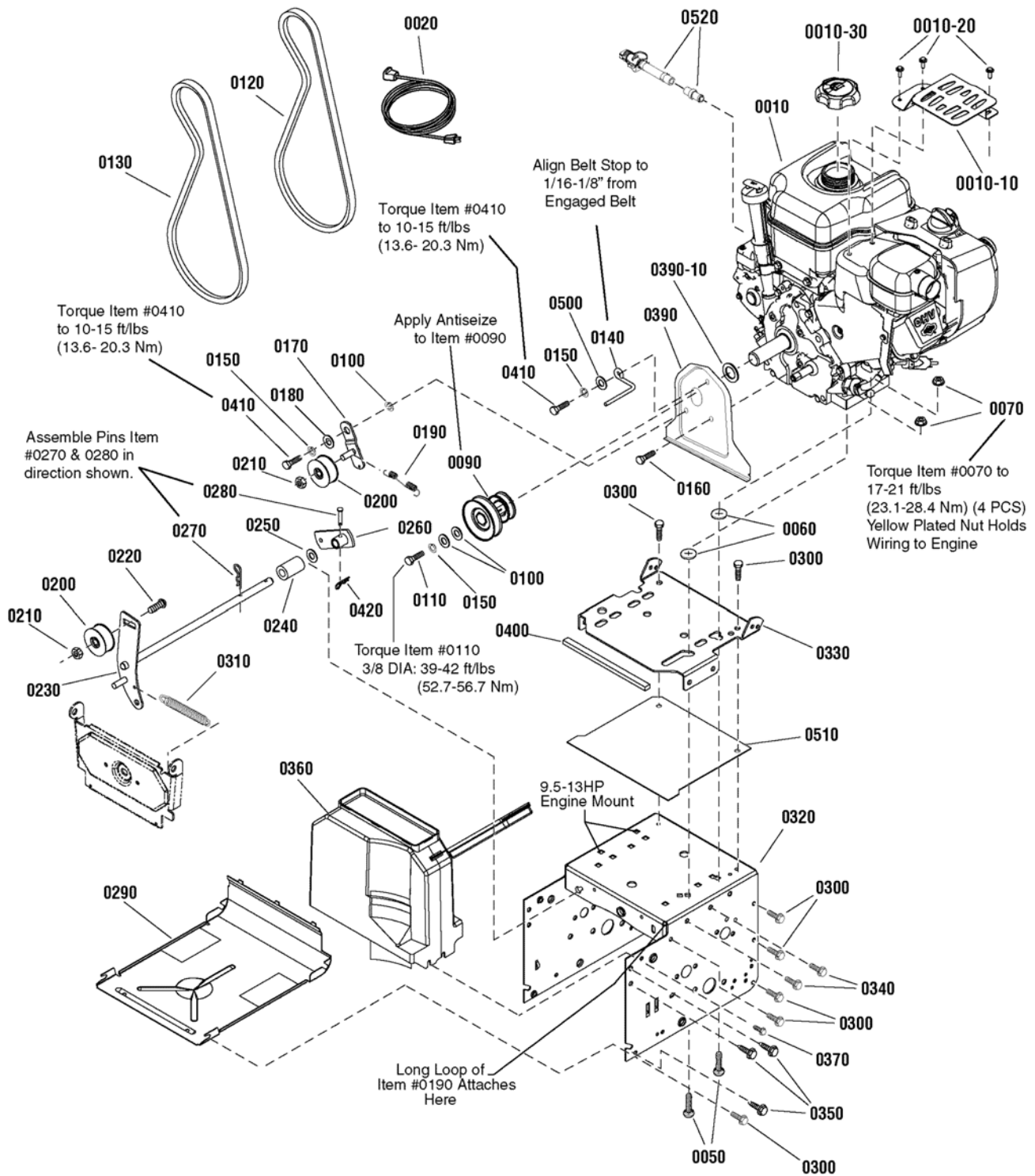
Chute & Rotation Group



| Item | Part No | Qty | Description |
|-------------|----------------|------------|--|
| 0010 | 1728967 | 1 | PINION |
| 0030 | 1739621 | 3 | SCREW, Torx Button Head, M5 x .8 x 14 |
| 0035 | 7091552 | 3 | WASHER, Flat, 1/4 |
| 0040 | 1925592 | 1 | SCREW, Hex Washer Head, Taptite, 1/4-20 x 3/4 |
| 0050 | 1752877 | 1 | COVER, Electric Chute Rotation |
| 0060 | 7011938 | 3 | RETAINER, Spout |
| 0070 | 1960001 | 6 | SCREW, Hex Washer Head, Plastite, 10-14 x 5/8 |
| 0090 | 1752240 | 1 | SWITCH, Chute Rotation |
| 0140 | 2825094 | 1 | TIE, Self Locking |
| 0150 | 1733601 | 2 | DECAL, Hinge |
| 0160 | 1738231H | 1 | DISCHARGE CHUTE |
| 0200 | 1739309 | 1 | MOTOR, Chute Rotation |
| 0230 | 1737962BM | 1 | GEAR, Chute |
| 0290 | 1738267BM | 1 | BRACKET, Weld Stud |
| 0300 | 1737941 | 1 | MOTOR, Chute Deflector |
| 0310 | 1960715 | 2 | SCREW, Truss Head Torx, 1/4-20 x 3/4 |
| 0320 | 1960694 | 2 | NUT, Hex Flange, ESNA, 1/4-20 |
| 0330 | 1737379 | 1 | SWITCH / COVER |
| 0340 | 1738244 | 1 | WASHER, Rubber |
| 0350 | 1738245 | 1 | NUT, Left Hand |
| 0360 | 5025154 | 1 | WASHER, 1/4 |
| 0530 | 1733475 | 1 | GUARD, Chute (Export Models Only) |
| 0540 | 1737683 | 1 | BRACKET, Chute Guard (Export Models Only) |
| 0550 | 1738174 | 2 | GROMMET, Chute (Export Models Only) |
| 0560 | 1960140 | 2 | NUT, Push, 3/16 (Export Models Only) |
| 0570 | 1925003 | 2 | SCREW, Hex Washer Head, Taptite, 1/4-20 x 1/2 (Export Models Only) |
| 1090 | 1931317 | 3 | BOLT, Carriage, Short Neck, 1/4-20 x 3/4, G5 |
| 1100 | 1960685 | 3 | NUT, Hex KEPS, 1/4-20 |

Footnotes:

Engine & Frame Group - 11.5TP

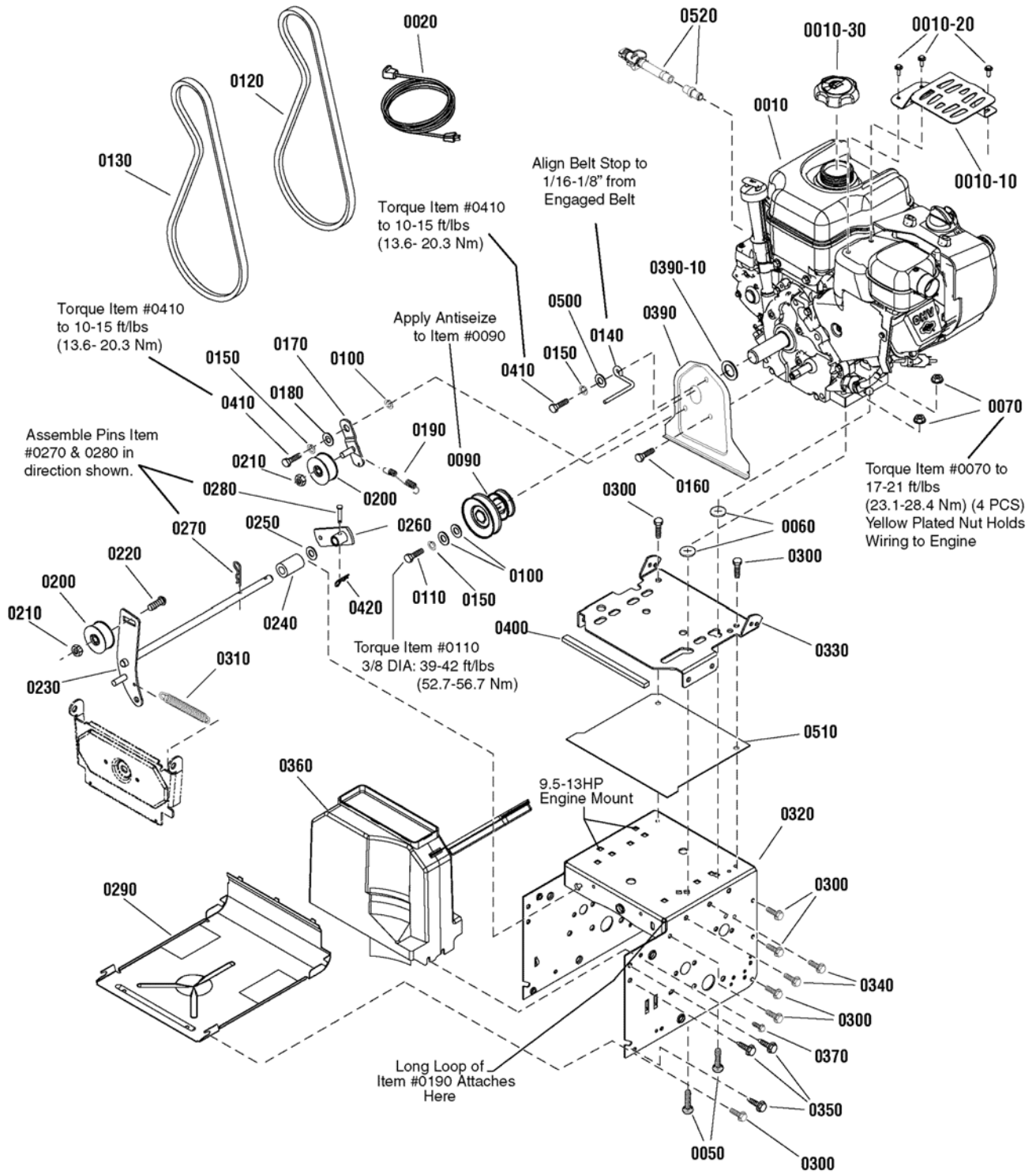


| Item | Part No | Qty | Description |
|-------------|----------------|------------|---|
| 0010 | 15C114-0153-F8 | 1 | * ENGINE, 11.5TP Briggs & Stratton (Engine Model: 15C114-0153-F8) |
| 0010-10 | 797003 | 1 | * GUARD, Muffler, Plate |
| 0010-20 | 699854 | 1 | * SCREW, Muffler Guard |
| 0010-30 | 795027 | 1 | * CAP, Fuel |
| 0020 | 724865 | 1 | CORD, 10FT, 110V |
| 0050 | 720064 | 4 | BOLT, Carriage, 5/16-18 x 1-1/2 |
| 0060 | 720376 | 4 | NUT, Push, For 1/4 Stud |
| 0070 | 1739305 | 4 | NUT, Hex Flange, ESNA, 5/16-18 |
| 0090 | 722085 | 1 | PULLEY |
| 0100 | 1919381 | 3 | WASHER, 5/16 |
| 0110 | 1921982 | 1 | CAPSCREW, Hex Head, 5/16-24 x 1-1/4, G5 |
| 0120 | 1733324 | 1 | V-BELT, Traction Drive, 3L, 33.13 |
| 0130 | 1736421 | 1 | V-BELT, 4L, 38.35, Auger |
| 0140 | 1739070 | 1 | BELT GUIDE |
| 0150 | 1917356 | 4 | LOCKWASHER, Spring, 5/16 |
| 0160 | 1921515 | 1 | CAPSCREW, Hex Head, 5/16-24 x 3/4, G5 |
| 0170 | 722090 | 1 | BRACKET, Idler |
| 0180 | 722072 | 1 | BUSHING, Idler Bracket |
| 0190 | 722457 | 1 | SPRING, Extension, Idler |
| 0200 | 722378 | 2 | IDLER, Plastic Ball Bearing |
| 0210 | 1960251 | 2 | NUT, Hex Center Lock Jam, 3/8-16 |
| 0220 | 724823 | 1 | BOLT, Carriage, Short Neck, 3/8-16 x 1-1/4, G5 |
| 0230 | 722132 | 1 | AUGER IDLER |
| 0240 | 722118 | 1 | SPACER, 1/2 ID x 1 OD x 1-3/4" |
| 0250 | 1960027 | 1 | WASHER, 1/2 |
| 0260 | 1733451 | 1 | ARM, Control |
| 0270 | 725367 | 1 | PIN, Hair |
| 0280 | 1736381 | 1 | PIN, Clevis |
| 0290 | 1740906BM | 1 | PANEL, Bottom |
| 0300 | 1927429 | 12 | CAPSCREW, Hex Washer Head, Taptite, 1/4-20 x 5/8 |
| 0310 | 722455 | 1 | SPRING, Extension, Auger |
| 0320 | 1739311D | 1 | FRAME |
| 0330 | 1733583D | 1 | PLATE, Engine Mount |
| 0340 | 722838 | 4 | CAPSCREW, Hex Washer Head, 5/16-18 x 1/2 |
| 0350 | 1664847 | 6 | CAPSCREW, Hex Washer Head, Taptite, 5/16-18 x 3/4 |
| 0360 | 1751525 | 1 | BELT COVER ASSEMBLY |
| 0370 | 722887 | 2 | SCREW, Hex Washer Head, Tapping, SEMS, 1/4 x 3/4 |
| 0390 | 1750241 | 1 | WATER SHIELD ASSEMBLY (Includes Ref. No. 0390-10) |
| 0390-10 | 1733898 | 1 | SEAL, Foam |
| 0400 | 1750172 | 1 | SEAL, Strip |
| 0410 | 725996 | 2 | CAPSCREW, Hex, 5/16-24 x 1 |
| 0420 | 7023590 | 1 | PIN, Cotter, Self Lock, 1/4 |
| 0500 | 7091528 | 1 | WASHER, Flat, 3/8 |
| 0510 | 1750135 | 1 | SEAL, Engine Plate |

Footnotes:

NOTE: * Purchase engine parts from engine manufacturer dealer.

Engine & Frame Group - 11.5TP



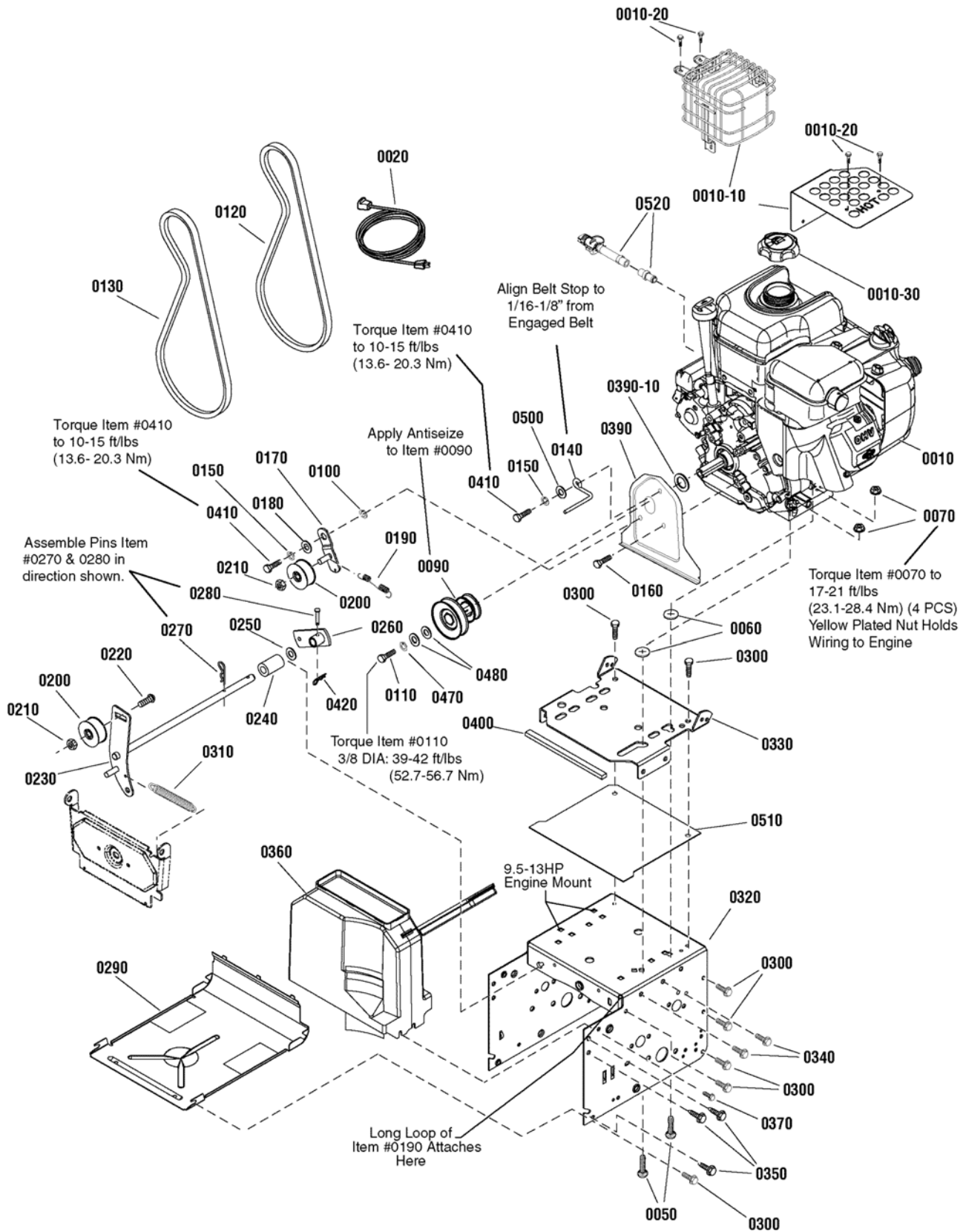
| Item | Part No | Qty | Description |
|-------------|----------------|------------|---|
| 0520 | 798980 | 1 | * OIL DRAIN ASSEMBLY (Optional Accessory) |

Not for
Reproduction

Footnotes:

NOTE: * Purchase engine parts from engine manufacturer dealer.

Engine Group - 14.5HP & 16.5HP

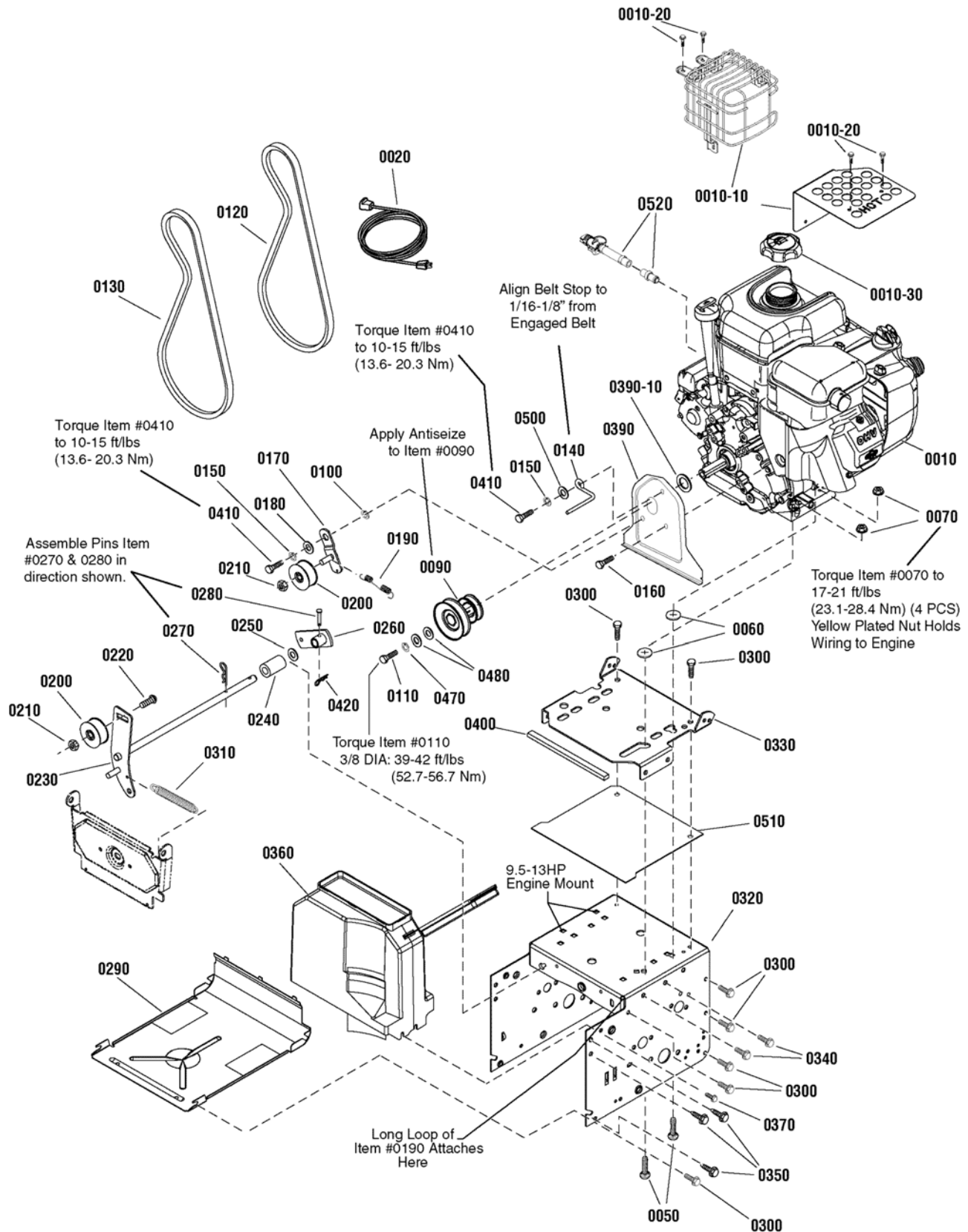


| Item | Part No | Qty | Description |
|-------------|----------------|------------|---|
| 0010 | 20M314-0135-F1 | 1 | * ENGINE, 14.5TP Briggs & Stratton, Domestic (Engine Model: 20M314-0135-F1) |
| 0010 | 20M314-0142-H1 | 1 | * ENGINE, 14.5TP Briggs & Stratton, Export (Engine Model: 20M314-0142-H1) |
| 0010 | 21M314-0127-F1 | 1 | * ENGINE, 16.5TP Briggs & Stratton, Domestic (Engine Model: 21M314-0127-F1) |
| 0010 | 21M314-0129-H1 | 1 | * ENGINE, 16.5TP Briggs & Stratton, Export (Engine Model: 21M314-0129-H1) |
| 0010-10 | 797095 | 1 | * GUARD, Muffler, Plate (Domestic Models) |
| 0010-10 | 796384 | 1 | * GUARD, Muffler, Cage (Export Models) |
| 0010-20 | 699234 | 4 | * SCREW, Muffler Guard |
| 0010-30 | 795027 | 1 | * CAP, Fuel |
| 0020 | 724865 | 1 | CORD, Electric (Domestic Models Only) |
| 0050 | 720064 | 4 | BOLT, Carriage, 5/16-18 x 1-1/2 |
| 0060 | 720376 | 4 | NUT, Push, 1/4 |
| 0070 | 1739305 | 4 | NUT, Hex Flange, ESNA, 5/16-18 |
| 0090 | 722085 | 1 | PULLEY, Engine |
| 0100 | 1919381 | 1 | WASHER, 5/16 |
| 0110 | 1960428 | 1 | CAPSCREW, Hex Head, 3/8-24 x 1-1/4 G8 |
| 0120 | 1733324 | 1 | V-BELT, Traction Drive, 3L, 33.13 |
| 0130 | 1736421 | 1 | V-BELT, 4L, 38.35, Auger |
| 0140 | 1739070 | 1 | BELT GUIDE |
| 0150 | 1917356 | 3 | LOCKWASHER, Spring 5/16 |
| 0160 | 1921515 | 1 | CAPSCREW, Hex Head, 5/16-24 x 3/4 G5 |
| 0170 | 722090 | 1 | IDLER BRACKET |
| 0180 | 722072 | 1 | BUSHING, Idler Bracket |
| 0190 | 722457 | 1 | SPRING, Extension, Idler |
| 0200 | 722378 | 2 | IDLER |
| 0210 | 1960251 | 2 | NUT, Hex Center Lock Jam, 3/8-16 |
| 0220 | 724823 | 1 | BOLT, Carriage, Short Neck, 3/8-16 x 1-1/2 G5 |
| 0230 | 722132 | 1 | AUGER IDLER |
| 0240 | 722118 | 1 | SPACER, 1/2 ID x 1 OD x 1-3/4" |
| 0250 | 1960027 | 1 | WASHER, 1/2 |
| 0260 | 1733451 | 1 | ARM, Control |
| 0270 | 725367 | 1 | PIN, Hair |
| 0280 | 1736381 | 1 | PIN, Clevis |
| 0290 | 1740906BM | 1 | PANEL, Bottom |
| 0300 | 1927429 | 12 | SCREW, Hex Washer Head, Taptite, 1/4-20 x 5/8 |
| 0310 | 722455 | 1 | SPRING, Extension, Auger |
| 0320 | 1733154D | 1 | FRAME |
| 0330 | 1733583D | 1 | PLATE, Engine Mount |
| 0340 | 722838 | 4 | SCREW, Hex Washer Head, 5/16/18 x 1/2 |
| 0350 | 1664847 | 6 | SCREW, Hex Washer Head, Taptite, 5/16-18 x 3/4 |
| 0360 | 1733923 | 1 | BELT COVER ASSEMBLY |
| 0370 | 1751355 | 2 | SCREW, Hex Washer Head, Tap, SEMS, 1/4-20 x 3/4 |
| 0390 | 1733868BM | 1 | PLATE, Seal |
| 0390-10 | 1750185 | 1 | SEAL, Foam |
| 0400 | 1750172 | 1 | STRIP, Seal |

Footnotes:

NOTE: * Purchase engine parts from engine manufacturer dealer.

Engine Group - 14.5HP & 16.5HP



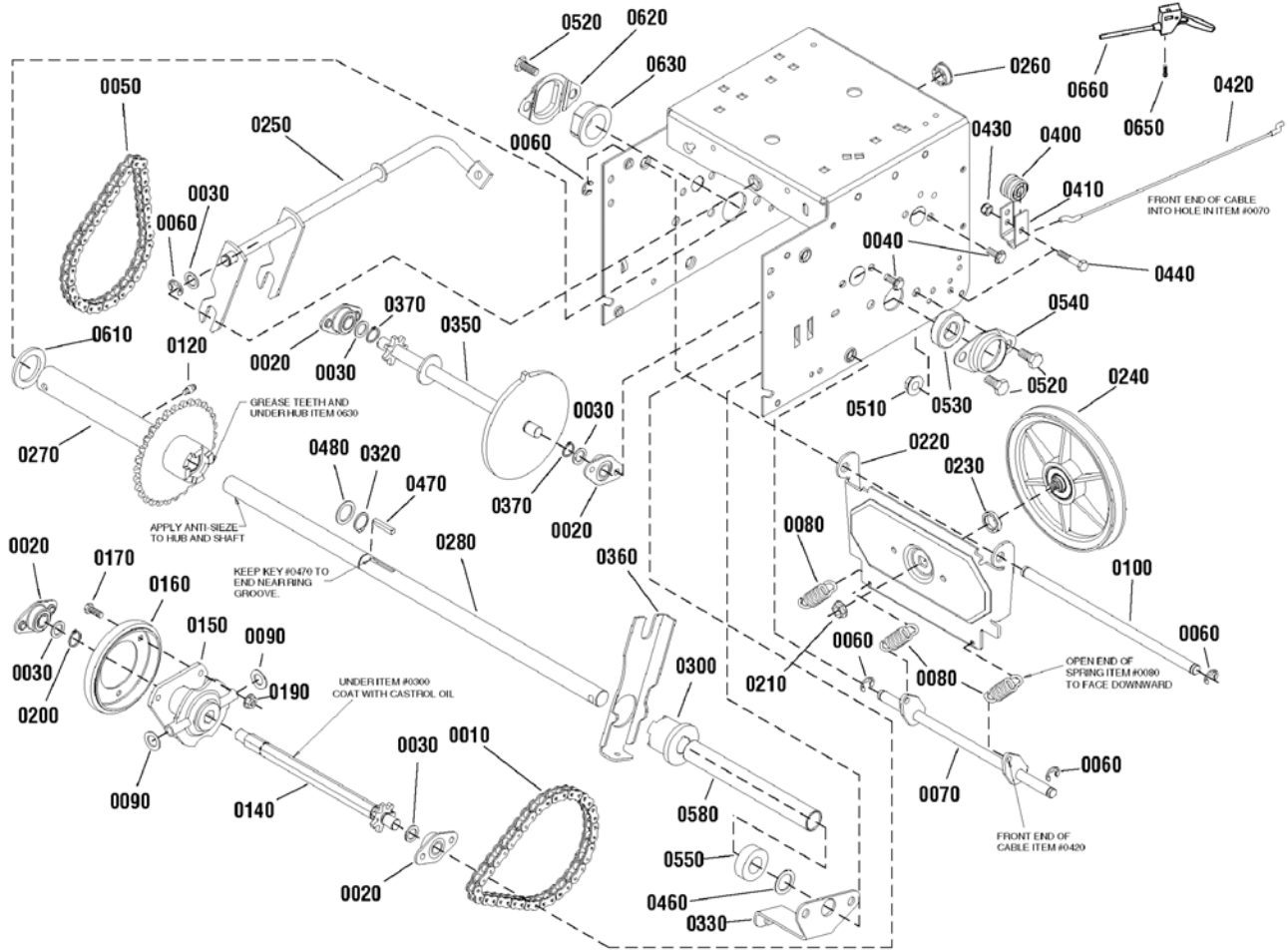
| Item | Part No | Qty | Description |
|-------------|----------------|------------|--|
| 0410 | 725996 | 2 | BOLT, Hex 5/16-24 x 1 |
| 0420 | 7023590 | 1 | PIN, Cotter, Self Locking, 1/4 |
| 0470 | 1916965 | 1 | LOCKWASHER, Spring, 3/8 (Use on 14.5TP Models) |
| 0470 | 1916955 | 1 | WASHER, 3/16 (Use on 16.5TP Models) |
| 0480 | 1922755 | 2 | WASHER, 3/8 |
| 0500 | 7091528 | 1 | WASHER, Flat, 3/8 |
| 0510 | 1750134 | 1 | SEAL, Engine Plate |
| 0520 | 798980 | 1 | OIL DRAIN ASSY, 4.5" |

Not for
Reproduction

Footnotes:

NOTE: * Purchase engine parts from engine manufacturer dealer.

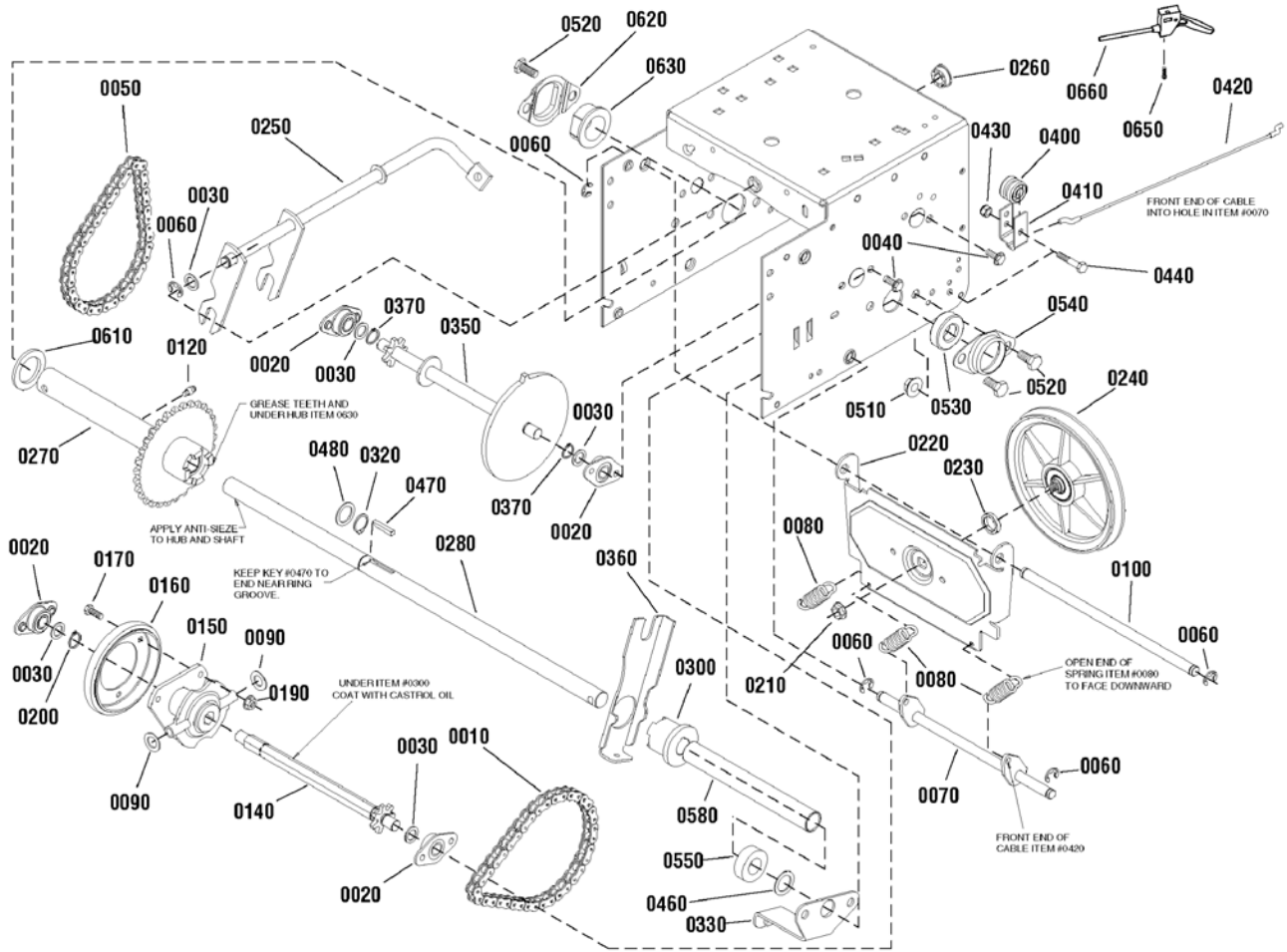
Traction Drive Group - Easy Turn



| Item | Part No | Qty | Description |
|-------------|----------------|------------|---|
| 0010 | 724613 | 1 | CHAIN, Roller 420 x 19 Lg |
| 0020 | 723655 | 4 | RETAINER & BUSHING ASSEMBLY |
| 0030 | 724619 | 5 | WASHER, Flat, 1/2 |
| 0040 | 1924856 | 8 | CAPSCREW, Hex WasherHead, 5/16-18 x 1/2 |
| 0050 | 724627 | 1 | CHAIN, Roller 420 X 18 Lg |
| 0060 | 721910 | 5 | RETAINER, Ring, 7/16 |
| 0070 | 722377 | 1 | SPRING LINK ASSEMBLY |
| 0080 | 1736469 | 3 | SPRING, Extension |
| 0090 | 1960027 | 2 | WASHER, 1/2 |
| 0100 | 722082 | 1 | AXLE, Swing Plate, 7/16 Dia., 10-1/2 Lg |
| 0120 | 2812808 | 1 | FITTING, Lube, 1/4-28 |
| 0140 | 722083 | 1 | HEX SHAFT & SPROCKET ASSEMBLY |
| 0150 | 723694 | 1 | HUB, Friction Wheel & Bearing |
| 0160 | 722185 | 1 | WHEEL, Friction |
| 0170 | 1921959 | 3 | CAPSCREW, Hex Head, 1/4-20 x 5/8, G5 |
| 0190 | 1928372 | 3 | NUT, Hex, 1/4-20 |
| 0200 | 1733326 | 1 | RING, Retaining, # 63 |
| 0210 | 722391 | 1 | NUT, Flange-Lock, 3/8-24 |
| 0220 | 722069 | 1 | PLATE, Swinging |
| 0230 | 722110 | 1 | SPACER, Friction Pulley |
| 0240 | 722092 | 1 | FRICTION PULLEY ASSEMBLY |
| 0250 | 722087 | 1 | SPEED SELECTOR ASSEMBLY |
| 0260 | 724636 | 1 | BEARING, Flange, 1/2 ID x 7/8 OD |
| 0270 | 1733085 | 1 | SPROCKET & HUB ASSEMBLY |
| 0280 | 1732381 | 1 | AXLE, 3/4 Dia., 22-3/4 Lg |
| 0300 | 1732382 | 1 | GEAR, Clutching, 3/4 ID 17/8 OD, 1-1/2 Lg |
| 0320 | 2827732 | 1 | RING, Retaining, # 74, 3/4 Dia. |
| 0330 | 1732948A | 1 | SUPPORT, Cable |
| 0350 | 1732389 | 1 | SPROCKET & SHAFT ASSEMBLY |
| 0360 | 1732383A | 1 | ARM, Clutch |
| 0370 | 720009 | 2 | RING, Retaining, 1/2 Dia. |
| 0400 | 724621 | 1 | SPOOL CABLE, Auger Control |
| 0410 | 722070 | 1 | BRACKET, Cable Spool |
| 0420 | 722095 | 1 | CABLE, Front Drive, Lower |
| 0430 | 1920397 | 1 | NUT, Hex-Lock, 1/4-20 |
| 0440 | 1922837 | 1 | CAPSCREW, Hex Head, 1/4-20 x 1-1/2, G5 |
| 0460 | 725394 | 1 | WASHER, Flat, 3/4 |
| 0470 | 1667622 | 1 | KEY, 1-9/64 |
| 0480 | 1960114 | 1 | WASHER, 3/4 |
| 0510 | 1928352 | 4 | NUT, Hex Flange, Locking, 3/8-16 |
| 0520 | 1921965 | 4 | CAPSCREW, Hex Head, 3/8-16 x 3/4, G5 |
| 0530 | 724409 | 1 | BEARING, Ball, 3/4 ID x 1-5/8 OD |
| 0540 | 1736396 | 1 | RETAINER, Bearing, Flanged |
| 0550 | 722228 | 1 | COLLAR, Locking |

Footnotes:

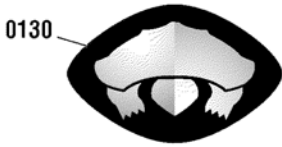
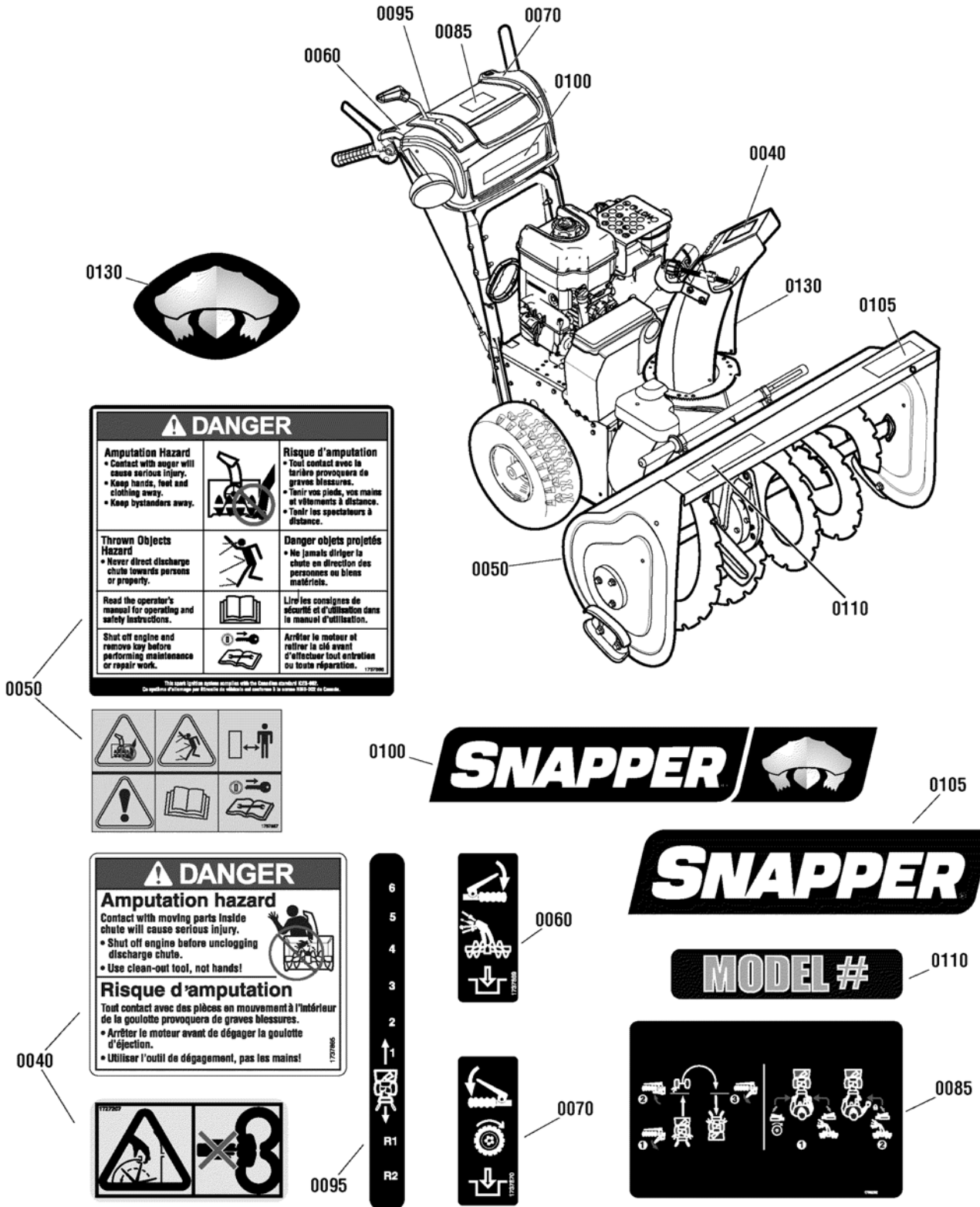
Traction Drive Group - Easy Turn



| Item | Part No | Qty | Description |
|-------------|----------------|------------|----------------------------|
| 0580 | 1720298 | 1 | SPRING, Compression |
| 0610 | 2860169 | 1 | WASHER, 3/16 |
| 0620 | 1733101 | 1 | RETAINER, Bushing |
| 0630 | 1720305 | 1 | BUSHING, 5/32 |
| 0650 | 1725702 | 1 | SCREW, Pan Head, #10 x 1/2 |
| 0660 | 1718791 | 1 | CABLE & HANDLE ASSEMBLY |

Not for
Reproduction

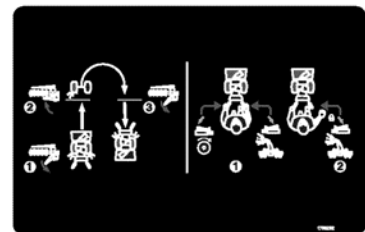
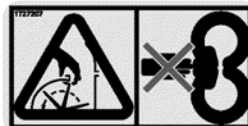
Footnotes:



| ⚠ DANGER | |
|--|--|
| Amputation Hazard • Contact with anger will cause serious injury. • Keep hands, feet and clothing away. • Keep bystanders away. | |
| Thrown Objects Hazard • Never direct discharge chute towards persons or property. | |
| Read the operator's manual for operating and safety instructions. | |
| Shut off engine and remove key before performing maintenance or repair work. | |
| <small>This decal applies to some models with the Snapper model# E25-400. Ce graphique d'avertissement ne s'applique pas à tous les modèles et doit être lu en français.</small> | |



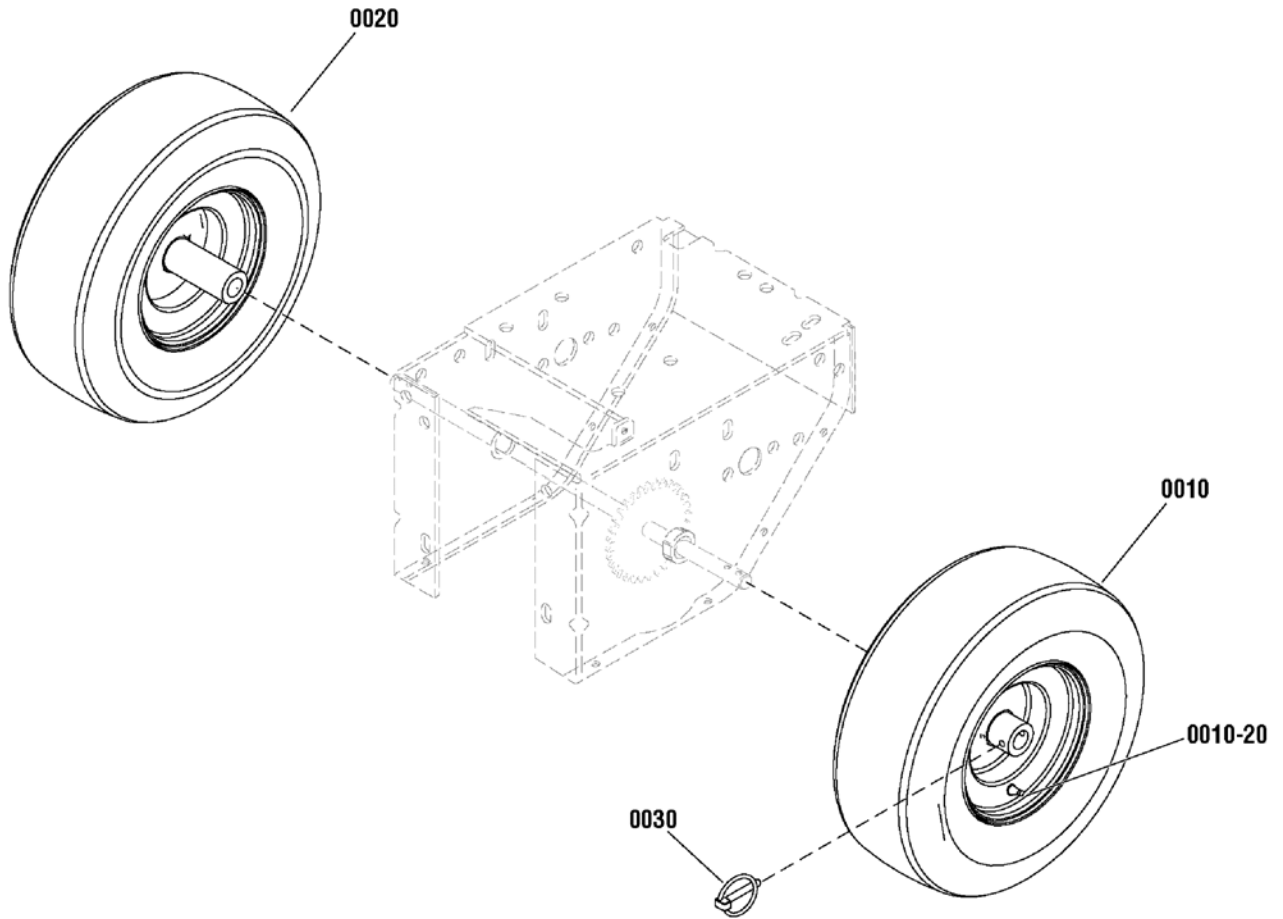
| ⚠ DANGER | |
|--|--|
| Amputation hazard Contact with moving parts inside chute will cause serious injury. • Shut off engine before unclogging discharge chute. • Use clean-out tool, not hands! | |
| Risque d'amputation Tout contact avec des pièces en mouvement à l'intérieur de la goulotte provoquera de graves blessures. • Arrêter le moteur avant de dégager la goulotte d'éjection. • Utiliser l'outil de dégagement, pas les mains! | |



| Item | Part No | Qty | Description |
|-------------|----------------|------------|--|
| 0040 | 1737865 | 1 | DECAL, Danger Chute, FR/ENG (Domestic Models) |
| 0040 | 1727207 | 1 | DECAL, Chute Warning, Export (Export Models) |
| 0050 | 1737866 | 1 | DECAL, Danger, Foot, FR/ENG (Domestic Models) |
| 0050 | 1737867 | 1 | DECAL, Danger Auger Icons (Export Models) |
| 0060 | 1737869 | 1 | DECAL, Auger Control Symbols |
| 0070 | 1737870 | 1 | DECAL, Traction Control Symbols |
| 0085 | 1738282 | 1 | DECAL, Dash Operation |
| 0095 | 1751582 | 1 | DECAL, Gear Shift |
| 0100 | 1750411 | 1 | DECAL, Logo, Dash |
| 0105 | 1750913 | 1 | DECAL, Logo |
| 0110 | 1750412 | 1 | DECAL, L1226E, 26" |
| 0110 | 1750413 | 1 | DECAL, L1528E, 28" |
| 0110 | 1750418 | 1 | DECAL, L1528EX, 28" |
| 0110 | 1750414 | 1 | DECAL, L1730E, 30" |
| 0110 | 1750419 | 1 | DECAL, L1730EX, 30" |
| 0130 | 1752570 | 1 | DECAL, Turtle (28" & 30" Domestic Models Only) |

Not for
Reproduction

Footnotes:



| Item | Part No | Qty | Description |
|-------------|----------------|------------|--|
| 0010 | 1738361 | 1 | WHEEL & TIRE ASSEMBLY, LH, 16x4.80-8 Artic Trac, Silver Rim w/5" LG Hub (Includes Ref. No. 0010-20) (Use with 26" & 28" Auger Housing) |
| 0010 | 1738363 | 1 | WHEEL & TIRE ASSEMBLY, LH, 16x6.50-8 Artic Trac, Silver Rim w/5" LG Hub (Includes Ref. No. 0010-20) (Use with 30" Auger Housing) |
| 0020 | 1738360 | 1 | WHEEL & TIRE ASSEMBLY, RH, 16x4.80-8 Artic Trac, Silver Rim w/4" LG Hub (Includes Ref. No. 0010-20) (Use with 26" & 28" Auger Housing) |
| 0020 | 1738362 | 1 | WHEEL & TIRE ASSEMBLY, RH, 16x6.50-8 Artic Trac, Silver Rim w/4" LG Hub (Includes Ref. No. 0010-20) (Use with 30" Auger Housing) |
| 0010-20 | 2172353 | 2 | VALVE STEM & CAP, .88" LG |
| 0030 | 1731186 | 2 | PIN, Klik, 5/16" OD x 1.7" LG |

Not for
Reproduction

Footnotes:

Hardware Identification & Torque Specifications

| Torque Specification Chart | | | | | | | | |
|--|-----------|------|-----------|------|------------|------|------------|------|
| FOR STANDARD METRIC MACHINE HARDWARE (Tolerance ± 20%) | | | | | | | | |
| Property Class | 5.6 | | 8.8 | | 10.9 | | 12.9 | |
| | Class 5.6 | | Class 8.8 | | Class 10.9 | | Class 12.9 | |
| Size Of Hardware | in/lbs | | in/lbs | | in/lbs | | in/lbs | |
| | ft/lbs | Nm. | ft/lbs | Nm. | ft/lbs | Nm. | ft/lbs | Nm. |
| M3 | 5.88 | .56 | 13.44 | 1.28 | 19.2 | 1.80 | 22.92 | 2.15 |
| M4 | 13.44 | 1.28 | 30.72 | 2.90 | 43.44 | 4.10 | 52.56 | 4.95 |
| M5 | 26.4 | 2.50 | 60.96 | 5.75 | 5.97 | 8.10 | 7.15 | 9.7 |
| M6 | 44.64 | 4.3 | 7.3 | 9.9 | 10.3 | 14 | 12.1 | 16.5 |
| M7 | 5.2 | 7.1 | 12.1 | 16.5 | 16.9 | 23 | 19.9 | 27 |
| M8 | 7.7 | 10.5 | 17.7 | 24 | 25 | 34 | 29 | 40 |
| M10 | 15 | 21 | 35 | 48 | 50 | 67 | 59 | 81 |
| M12 | 26 | 36 | 61 | 83 | 86.2 | 117 | 103 | 140 |
| M14 | 42 | 58 | 101 | 132 | 136 | 185 | 162 | 220 |
| M16 | 64 | 88 | 147 | 200 | 210 | 285 | 250 | 340 |
| M18 | 89 | 121 | 202 | 275 | 287 | 390 | 346 | 470 |
| M20 | 126 | 171 | 290 | 390 | 405 | 550 | 486 | 660 |
| M22 | 169 | 230 | 390 | 530 | 559 | 745 | 656 | 890 |
| M24 | 217 | 295 | 497 | 375 | 708 | 960 | 840 | 1140 |
| M27 | 320 | 435 | 733 | 995 | 1032 | 1400 | 1239 | 1680 |
| M30 | 435 | 590 | 995 | 1350 | 1401 | 1900 | 1681 | 2280 |
| M33 | 590 | 800 | 1349 | 1830 | 1902 | 2580 | 2278 | 3090 |
| M36 | 759 | 1030 | 1740 | 2360 | 2441 | 3310 | 2935 | 3980 |
| M39 | 988 | 1340 | 2249 | 3050 | 3163 | 4290 | 3798 | 5150 |

| Torque Specification Chart | | | | | | |
|---|-------------|-------|-------------|-------|-------------|---------|
| FOR STANDARD MACHINE HARDWARE (Tolerance ± 20%) | | | | | | |
| Hardware Grade | No Marks | | SAE Grade 5 | | SAE Grade 8 | |
| | SAE Grade 2 | | SAE Grade 5 | | SAE Grade 8 | |
| Size Of Hardware | in/lbs | | in/lbs | | in/lbs | |
| | ft/lbs | Nm. | ft/lbs | Nm. | ft/lbs | Nm. |
| 8-32 | 19 | 2.1 | 30 | 3.4 | 41 | 4.6 |
| 8-36 | 20 | 2.3 | 31 | 3.5 | 43 | 4.9 |
| 10-24 | 27 | 3.1 | 43 | 4.9 | 60 | 6.8 |
| 10-32 | 31 | 3.5 | 49 | 5.5 | 68 | 7.7 |
| 1/4-20 | 66 | 7.6 | 8 | 10.9 | 12 | 16.3 |
| 1/4-28 | 76 | 8.6 | 10 | 13.6 | 14 | 19.0 |
| 5/16-18 | 11 | 15.0 | 17 | 23.1 | 25 | 34.0 |
| 5/16-24 | 12 | 16.3 | 19 | 25.8 | 29 | 34.0 |
| 3/8-16 | 20 | 27.2 | 30 | 40.8 | 45 | 61.2 |
| 3/8-24 | 23 | 31.3 | 35 | 47.6 | 50 | 68.0 |
| 7/16-14 | 30 | 40.8 | 50 | 68.0 | 70 | 95.2 |
| 7/16-20 | 35 | 47.6 | 55 | 74.8 | 80 | 108.8 |
| 1/2-13 | 50 | 68.0 | 75 | 102.0 | 110 | 149.6 |
| 1/2-20 | 55 | 74.8 | 90 | 122.4 | 120 | 163.2 |
| 9/16-12 | 65 | 88.4 | 110 | 149.6 | 150 | 204.0 |
| 9/16-18 | 75 | 102.0 | 120 | 163.2 | 170 | 231.2 |
| 5/8-11 | 90 | 122.4 | 150 | 204.0 | 220 | 299.2 |
| 5/8-18 | 100 | 136 | 180 | 244.8 | 240 | 326.4 |
| 3/4-10 | 160 | 217.6 | 260 | 353.6 | 386 | 525.0 |
| 3/4-16 | 180 | 244.8 | 300 | 408.0 | 420 | 571.2 |
| 7/8-9 | 140 | 190.4 | 400 | 544.0 | 600 | 816.0 |
| 7/8-14 | 155 | 210.8 | 440 | 598.4 | 660 | 897.6 |
| 1-8 | 220 | 299.2 | 580 | 788.8 | 900 | 1,244.0 |
| 1-12 | 240 | 326.4 | 640 | 870.4 | 1,000 | 1,360.0 |

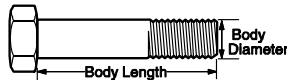
The guides and ruler furnished below are designed to help you select the appropriate hardware.



Nut, M8

Thread Diameter (mm)
Inside Diameter (in) Threads per inch

Nut, 1/2-16



Screw, M8- 1.25 x 25

Thread Diameter (mm) Distance between threads (mm) Body Length (mm)
Body Diameter Threads per inch Body Length (in)

Screw, 1/2- 16 x 2



Standard Hardware Sizing

When a washer or nut is identified as 1/2" (M8), this is the *Nominal size*, meaning the *inside diameter* is 1/2 inch (8mm metric thread diameter); if a second number is present it represents the *threads per inch* (distance between threads).

When bolt or capscrew is identified as 1/2 - 16 x 2" (M8 - 1.25 x 50), this means the *Nominal size*, or body diameter is 1/2 inch (8mm metric thread diameter), the second number, 16, represents the *threads per inch*, (1.25 thread diameter). The final number is the body length of the bolt or screw, 2 inches (50mm).

NOTES

- These torque values are to be used for all hardware excluding: locknuts, self-tapping screws, thread forming screws, sheet metal screws and socket head setscrews.
- Recommended seating torque values for locknuts:
 - for prevailing torque locknuts - use 65% of grade 5 torques.
 - for flange whizlock nuts and screws - use 135% of grade 5 torques.
- Unless otherwise noted on assembly drawings, all torque values must meet this specification.

Common Hardware Types

Hex Head Capscrew



Washer

Lockwasher

Carriage Bolt



Hex Nut

Wrench & Fastener Size Guide

| | | | | |
|----------------------------------|----------------------------------|----------------------------------|--|---------------------------------|
| 1/4" Bolt or Nut Wrench—7/16" | 5/16" Bolt or Nut Wrench—1/2" | 3/8" Bolt or Nut Wrench—9/16" | 7/16" Bolt or Nut Wrench (Bolt)—5/8" Wrench (Nut)—11/16" | 1/2" Bolt or Nut Wrench—3/4" |
| M6 Bolt or Nut Wrench—10mm | M8 Bolt or Nut Wrench—13mm | M10 Bolt or Nut Wrench—17mm | M12 Bolt or Nut Wrench—19mm | M14 Bolt or Nut Wrench—22mm |

Parts Manual for

SNAPPER®

26", 28" & 30" TWO STAGE LARGE FRAME SNOWTHROWERS 2011

Not for
Reproduction

IT IS THE POLICY OF BRIGGS & STRATTON CORP TO IMPROVE ITS PRODUCTS WHENEVER IT IS POSSIBLE AND PRACTICAL TO DO SO. WE RESERVE THE RIGHT TO MAKE CHANGES OR ADD IMPROVEMENTS AT ANY TIME WITHOUT INCURRING ANY OBLIGATION TO MAKE SUCH CHANGES ON PRODUCTS

Briggs & Stratton Yard Power Products Group

535 Macon Road
McDonough, GA, 30253 U.S.A.
800-935-2967

www.snapper.com

Copyright © 2011 Briggs & Stratton Corporation
Milwaukee, WI USA. All Rights Reserved

Manual No. 7105286
Revision: - 6/14/2011