

Installation Instructions

Snowthrower Decal Conversion Kit

Part No. 1687391

Kit Contents:

| Ref | Part No. | Qty. | Description |
|-----|-----------------|------|---------------------|
| 1 | 1733057/7071880 | 1 | Chute Warning Decal |
| 2 | 1716532 | 1 | Auger Warning Decal |
| 3 | 1727020 | 1 | Dash Panel Decal |
| 4 | 1726946 | 1 | Dash Panel Decal |

This kit contains the decals and modifications necessary to convert an export CE snowthrower into an ANSI compliant domestic product.

INSTALLATION

1. Remove the push nuts (B, Figure 1) securing the chute wireform (A).
2. Remove and discard the wireform (A).
3. Replace the icon-based CE decals on the unit with the text and icon ANSI decals from this kit as shown in Figure 2.
4. Remove and replace the starter with Briggs & Stratton starter kit 390922.

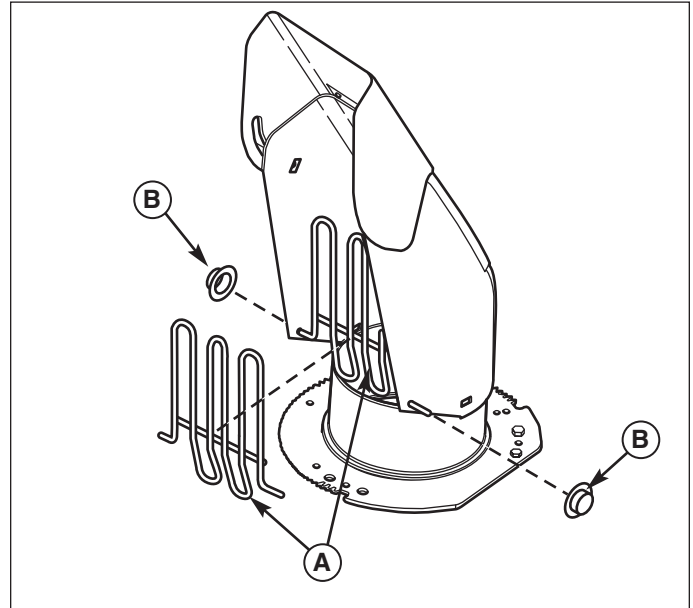


Figure 1. Remove Chute Guard
A. Chute Guard
B. Push Nuts

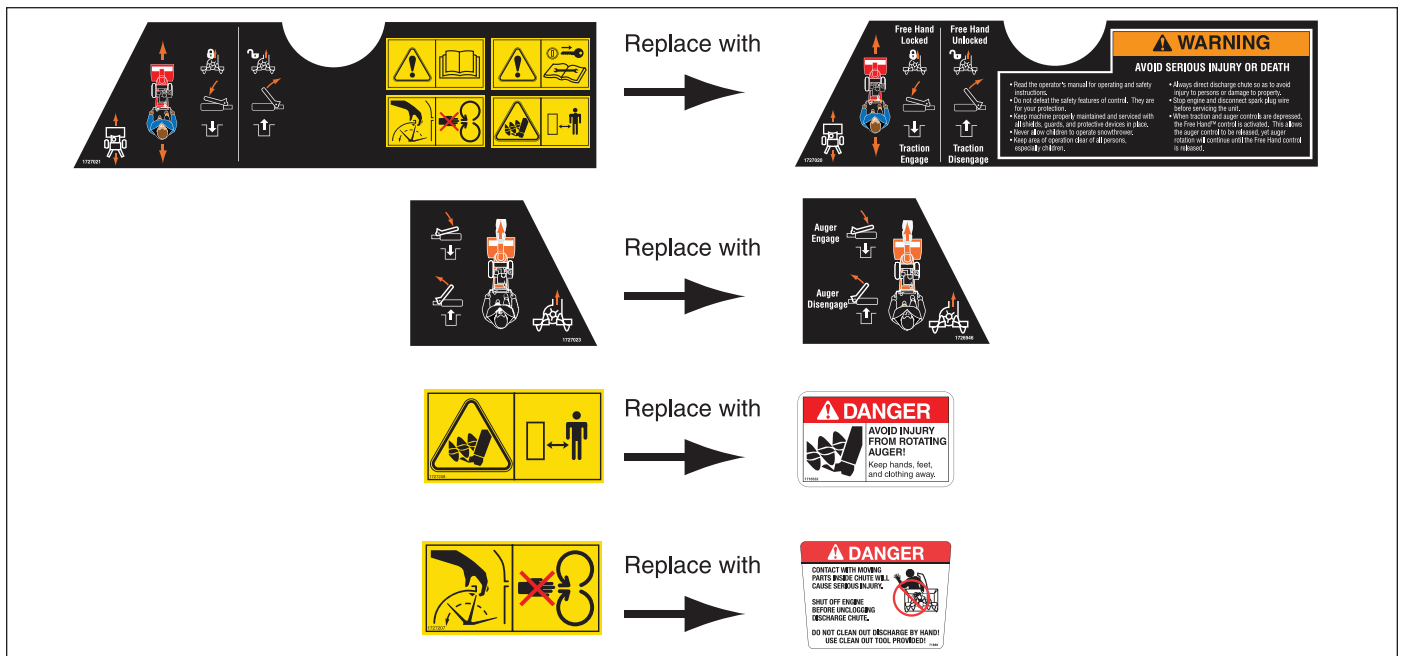


Figure 2. Decal Replacement

Simplicity

MANUFACTURING.

Briggs & Stratton Yard Power Products Group
Copyright © 2007 Briggs & Stratton Corporation
Milwaukee, WI USA. All Rights Reserved

Form No. 1736012
Revision: 00
TP 200-4830-00-SK-S