

WIRING INSTRUCTIONS

TITLE LARGE DRILLS-REVERSING (TRIPLE REDUCTION)

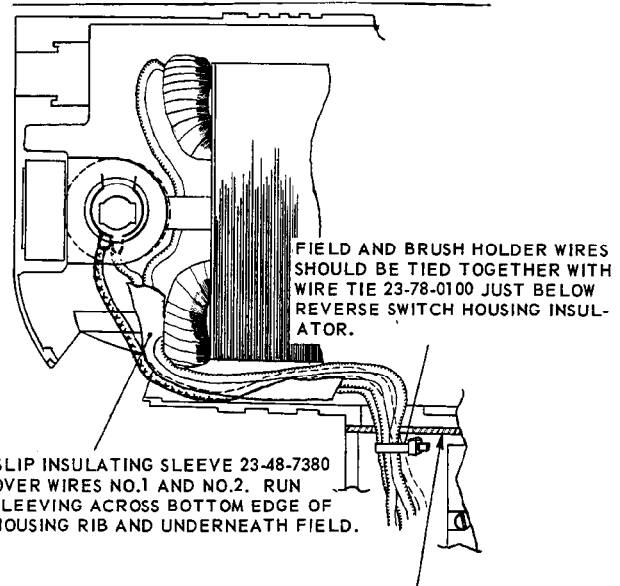
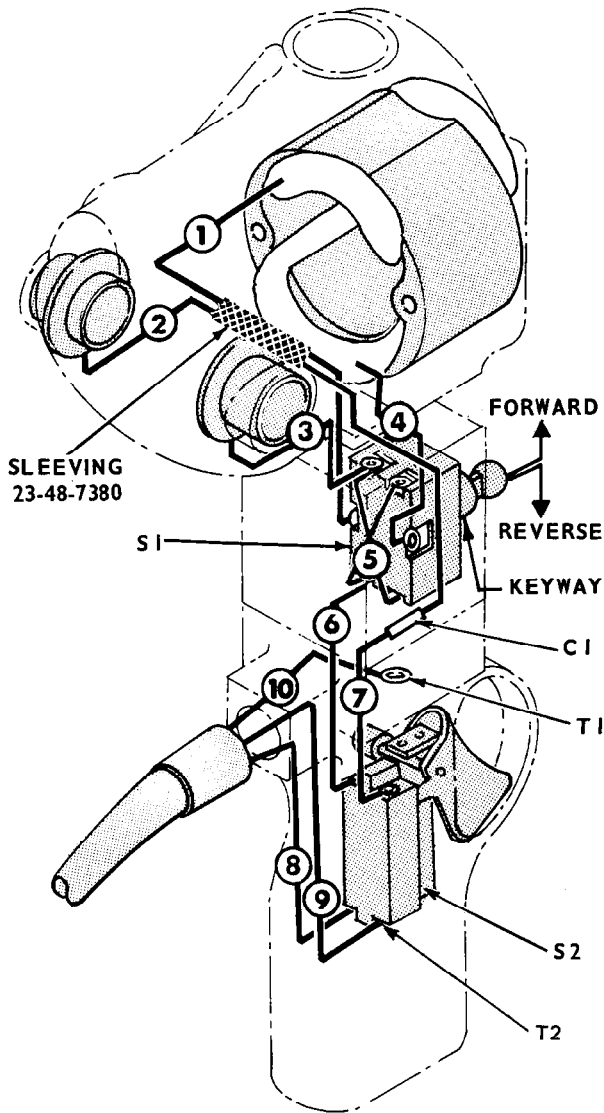
MILWAUKEE ELECTRIC TOOL CORP.

13135 WEST LISBON RD. BROOKFIELD, WIS

Date

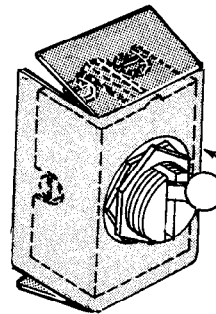
Jan. '74

**BULLETIN
58-01-0560**



SLIP INSULATING SLEEVE 23-48-7380 OVER WIRES NO.1 AND NO.2. RUN SLEEVING ACROSS BOTTOM EDGE OF HOUSING RIB AND UNDERNEATH FIELD.

USE INSULATOR 23-16-0200 BETWEEN MOTOR HOUSING AND REVERSE SWITCH HOUSING.



WHEN PLACING SWITCH INTO SWITCH HOUSING, PLACE INSULATOR 23-16-0470 AROUND SWITCH AS SHOWN.

USE LOCK WASHERS UNDER ALL SWITCH TERMINALS.

WHERE TERMINAL AND CONNECTOR COMBINATIONS ARE SPECIFIED, SEE ELECTRICAL PARTS CHART FOR PART NO. AND QUANTITY AND DRAWING FOR ACTUAL HOOK-UP

WIRING SPECIFICATIONS

Wire Color	Wire No.	Ga.	Lgth. in.	Terminal				Connector				Wire Color	Wire No.	Ga.	Lgth. in.	Terminal				Connector																
				T1	T2	T3	T4	C1	C2	C3	C4					T1	T2	T3	T4	C1	C2	C3	C4													
Black	1	Fld.	10	X									Yellow	7	16	5																				
Red	2	16	9-1/2						X				Black	8	Cord	6																				
White	3	16	7	X									White	9	Cord	6																				
Yellow	4	Fld.	7	X									Green	10	Cord	3-1/4	X																			
Black	5	16	2-1/2	X	(2 WIRES - 4 T 1)																															
Yellow	6	16	5	X	X																															

NOTE:
ALL LEADS MUST BE HELD TO ± 1/8"
ALL FIELD LEADS TO BE MEASURED FROM AND PERPENDICULAR TO LAMINATIONS.
ALL LEAD LENGTHS ARE BEFORE STRIPPING.

Electrical Parts

TERMINAL DESCRIPTION		
Code	Part No.	Qty.
T1	23-74-0050	9
T2	23-74-0330	4
CONNECTOR DESCRIPTION		
Code	Part No.	Qty.
C1	23-74-0370	1
SWITCH DESCRIPTION		
Code	Part No.	Qty.
S1	23-66-0340	1
S2	Refer to Parts List	1