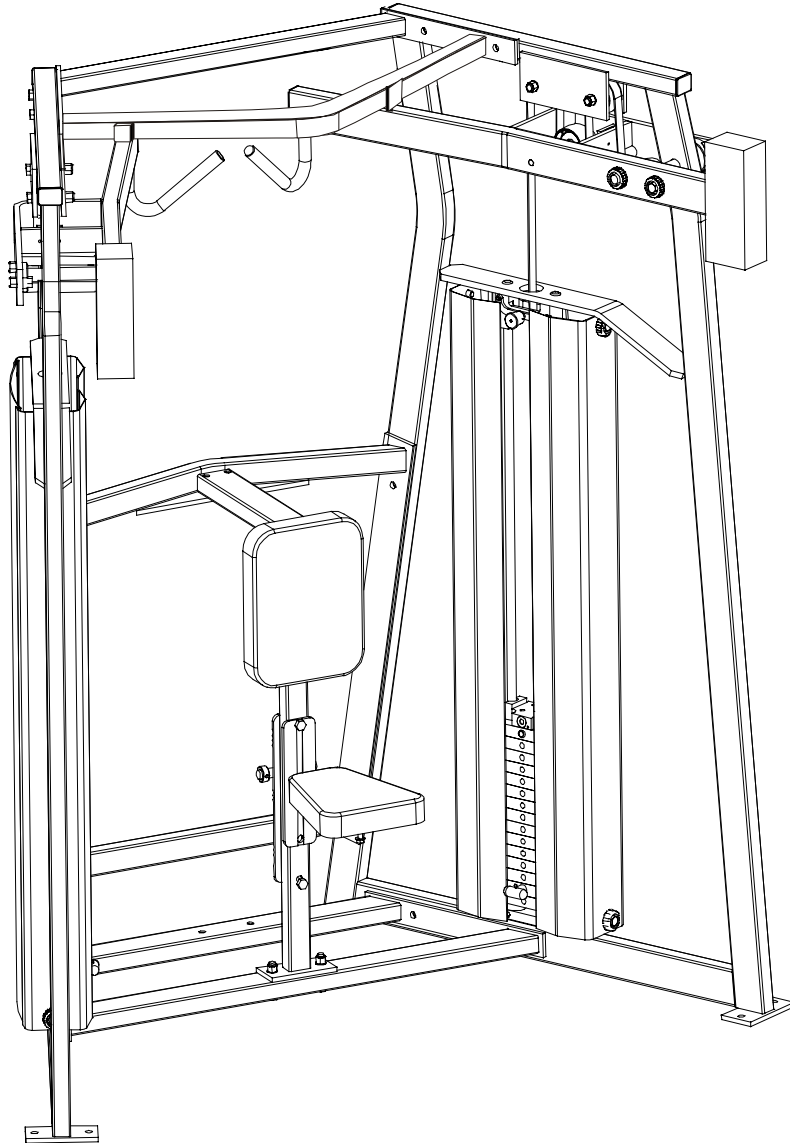


# *Life Fitness*

**MTS - MOTION TECHNOLOGY SELECTORIZED  
MTHR HIGH ROW**



## **Customer Support Services PARTS MANUAL**

# **MTHR HIGH ROW**

**Notes:**

---

# **MTHR HIGH ROW**

## **Contents**

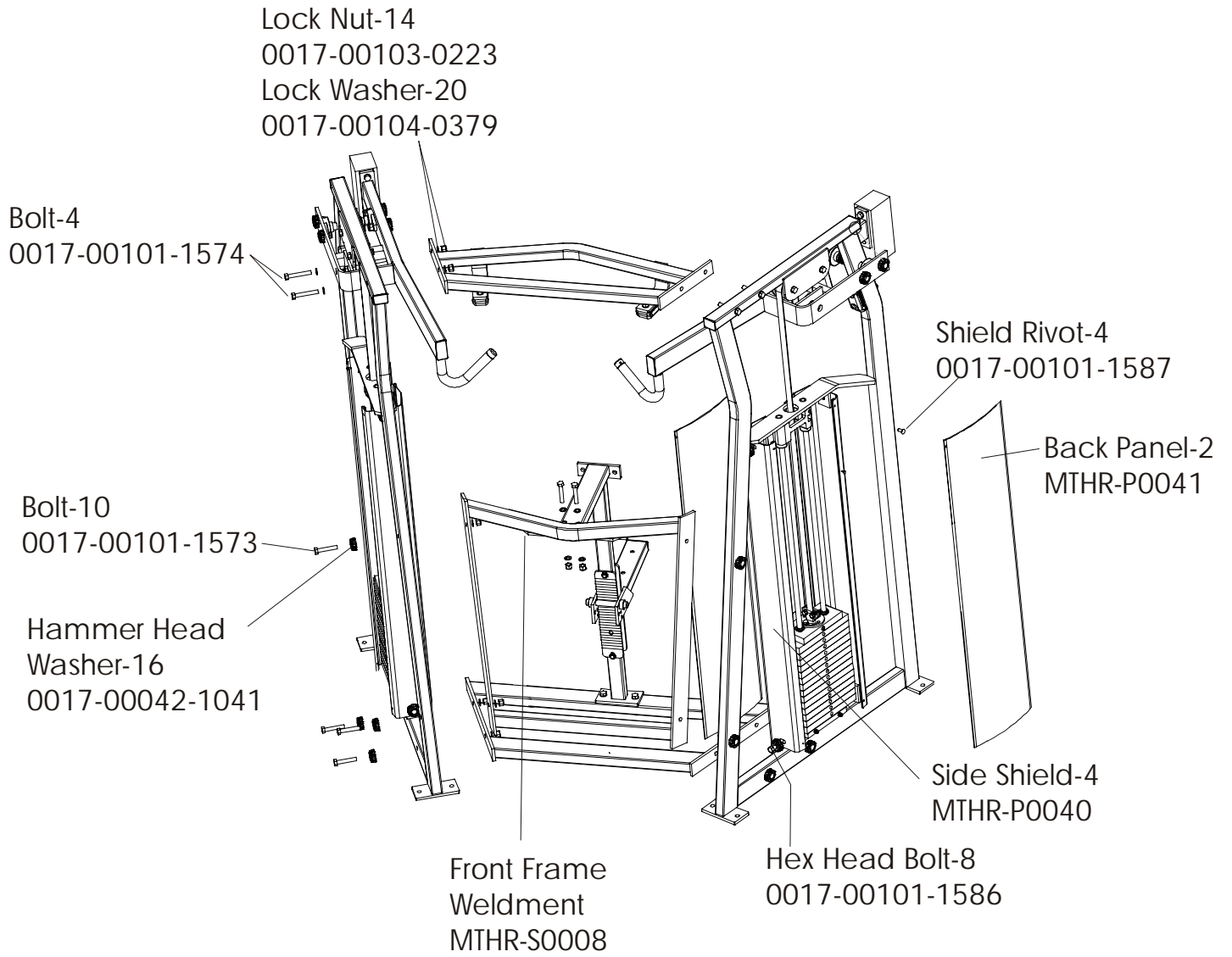
---

	<b>PAGE</b>
<b>COMPONENT ASSEMBLY.....</b>	<b>4</b>
<b>LEFT MOVEMENT ARM W/PULLEY .....</b>	<b>5</b>
<b>LEFT MOVEMENT ARM W/COUNTERWEIGHT.....</b>	<b>6</b>
<b>RIGHT MOVEMENT ARM W/PULLEY .....</b>	<b>7</b>
<b>RIGHT MOVEMENT ARM W/COUNTERWEIGHT .....</b>	<b>8</b>
<b>TOP FRAME ASSEMBLY.....</b>	<b>9</b>
<b>BOTTOM FRAME ASSEMBLY.....</b>	<b>10</b>
<b>LEFT SIDE FRAME .....</b>	<b>11</b>
<b>LEFT SIDE FRAME W/WEIGHTS.....</b>	<b>12</b>
<b>RIGHT SIDE FRAME .....</b>	<b>11</b>
<b>RIGHT SIDE FRAME .....</b>	<b>13</b>
<b>RIGHT SIDE FRAME W/WEIGHTS .....</b>	<b>14</b>
<b>PADS.....</b>	<b>15</b>
<b>SEAT FRAME WELDMENT.....</b>	<b>16</b>
<b>SEAT FRAME ASSEMBLY.....</b>	<b>17</b>
<b>SEAT ROLLER ASSEMBLY.....</b>	<b>18</b>
<b>INCREMENT WEIGHT .....</b>	<b>19</b>
<b>WEIGHT STACK.....</b>	<b>20</b>
<b>DECALS.....</b>	<b>21</b>

# MTHR HIGH ROW

## COMPONENT ASSEMBLY

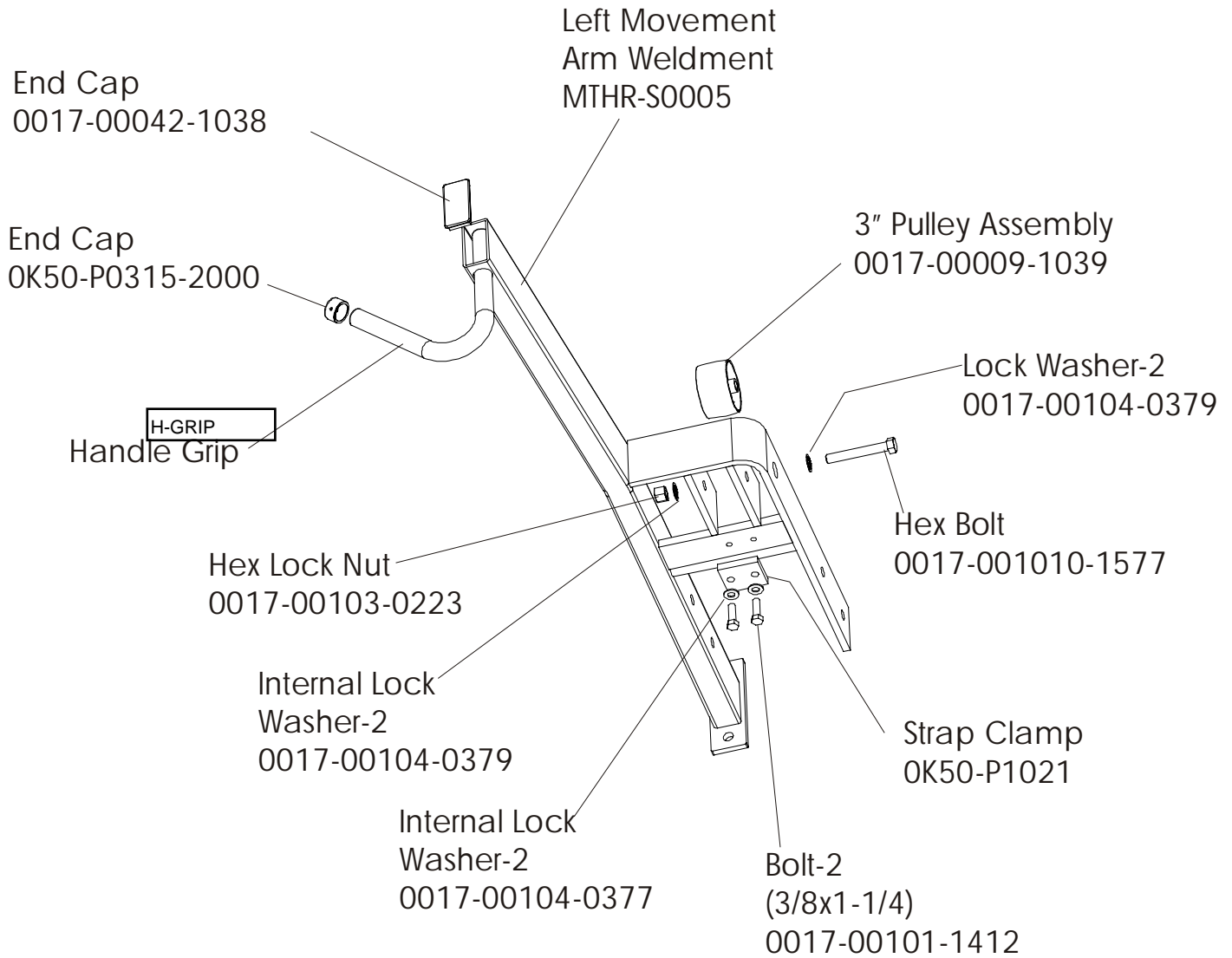
---



# MTHR HIGH ROW

## LEFT MOVEMENT ARM W/PULLEY

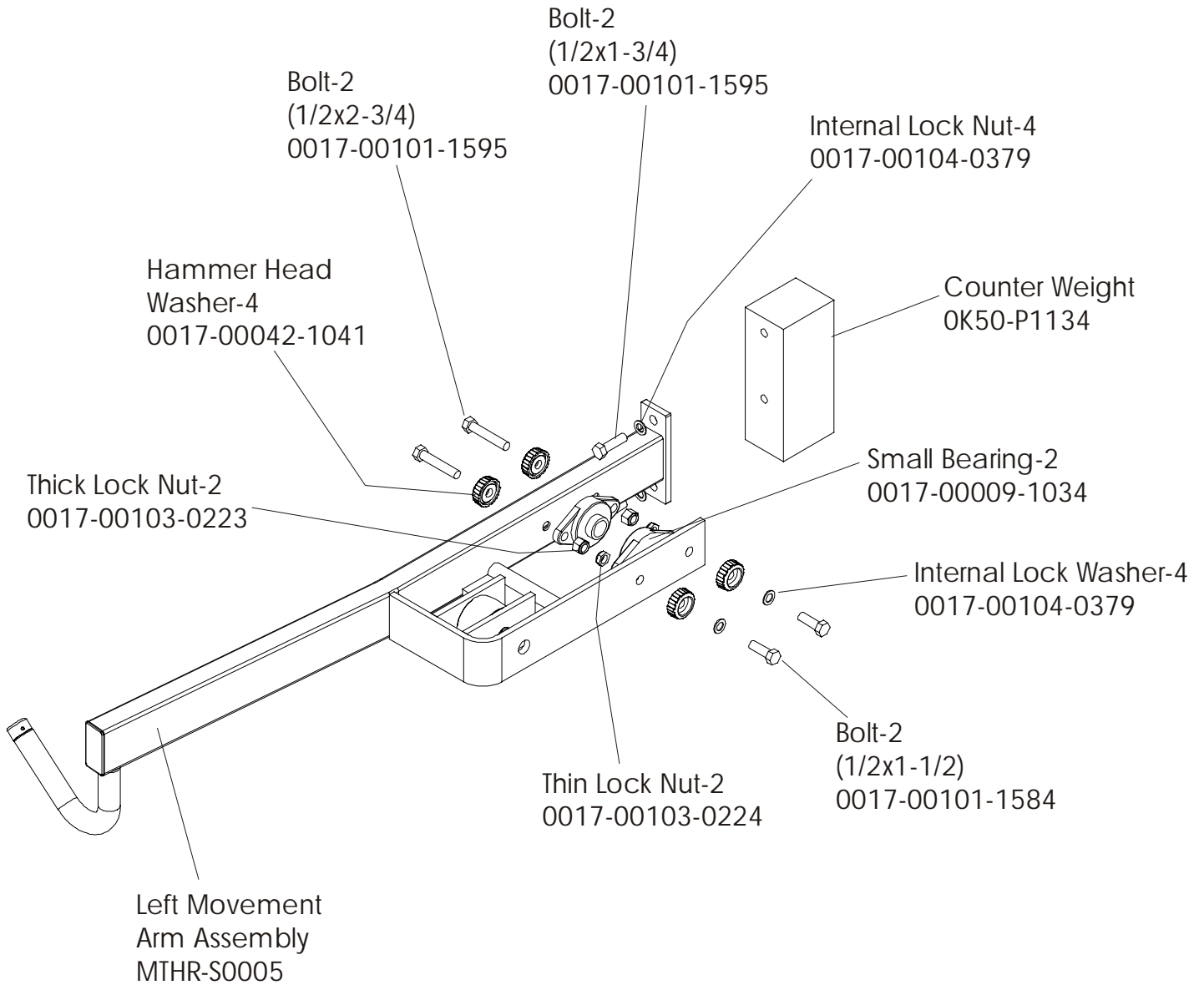
---



# MTHR HIGH ROW

## LEFT MOVEMENT ARM W/COUNTERWEIGHT

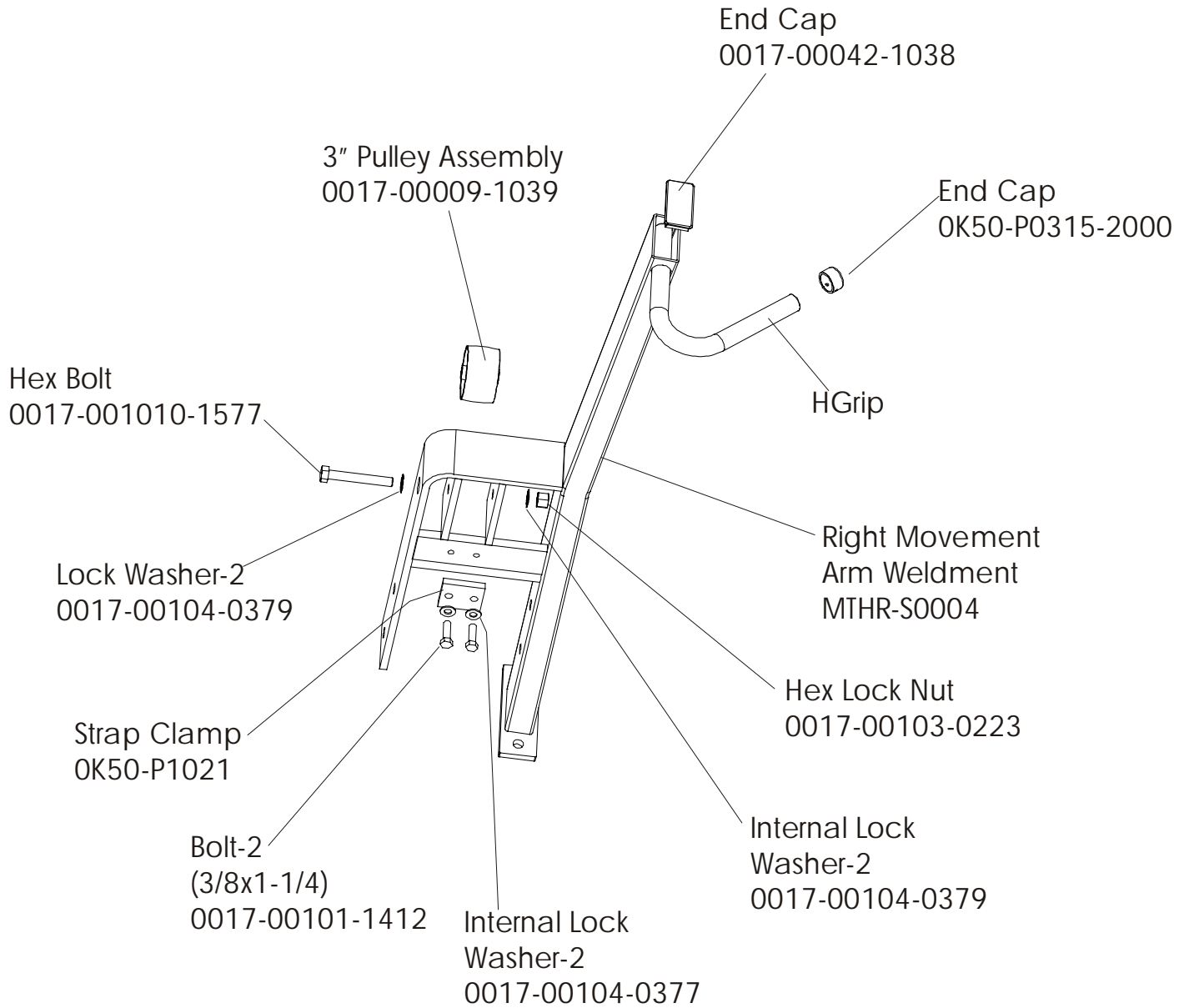
---



# MTHR HIGH ROW

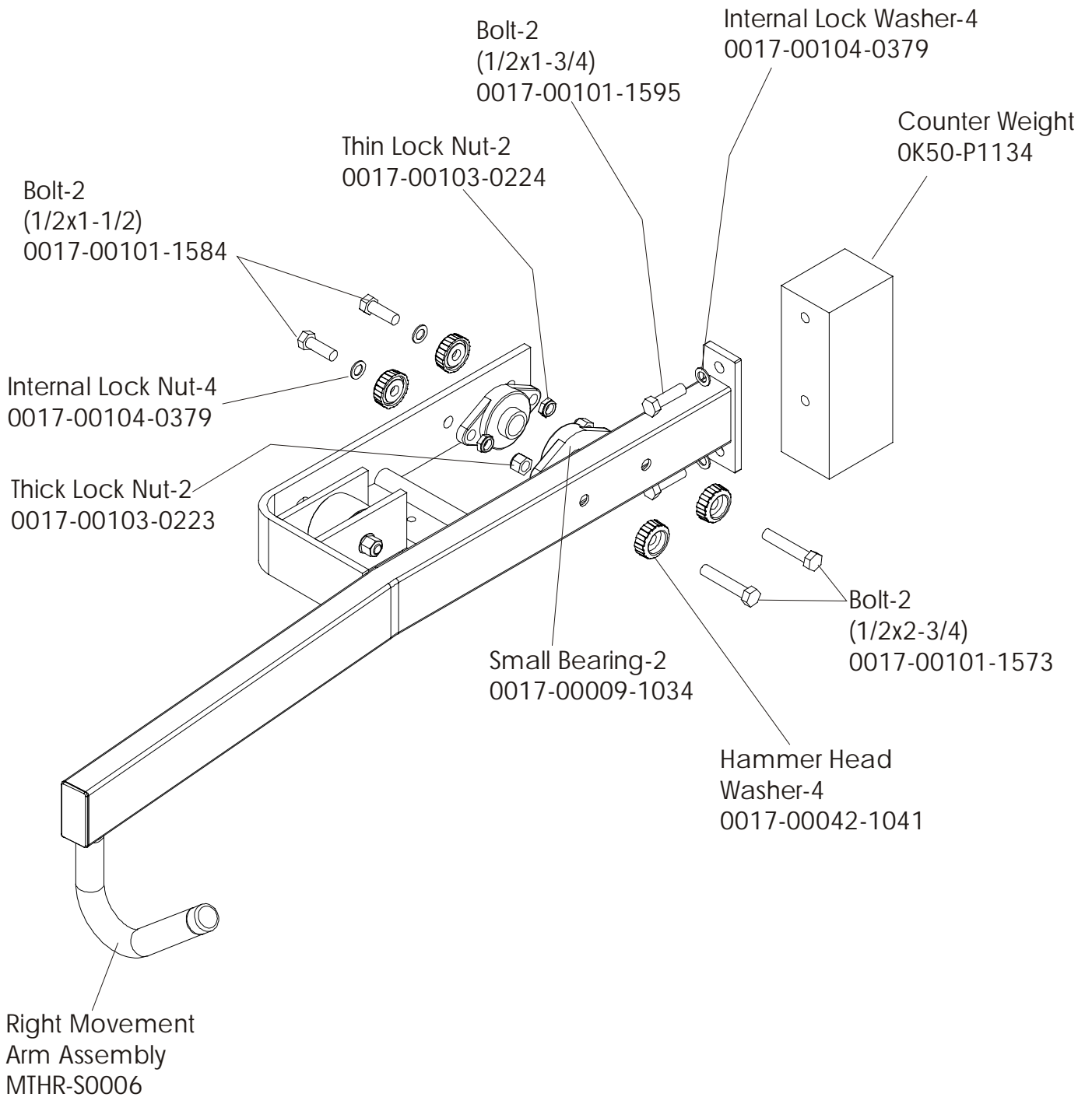
## RIGHT MOVEMENT ARM W/PULLEY

---



# MTHR HIGH ROW

## RIGHT MOVEMENT ARM W/COUNTERWEIGHT

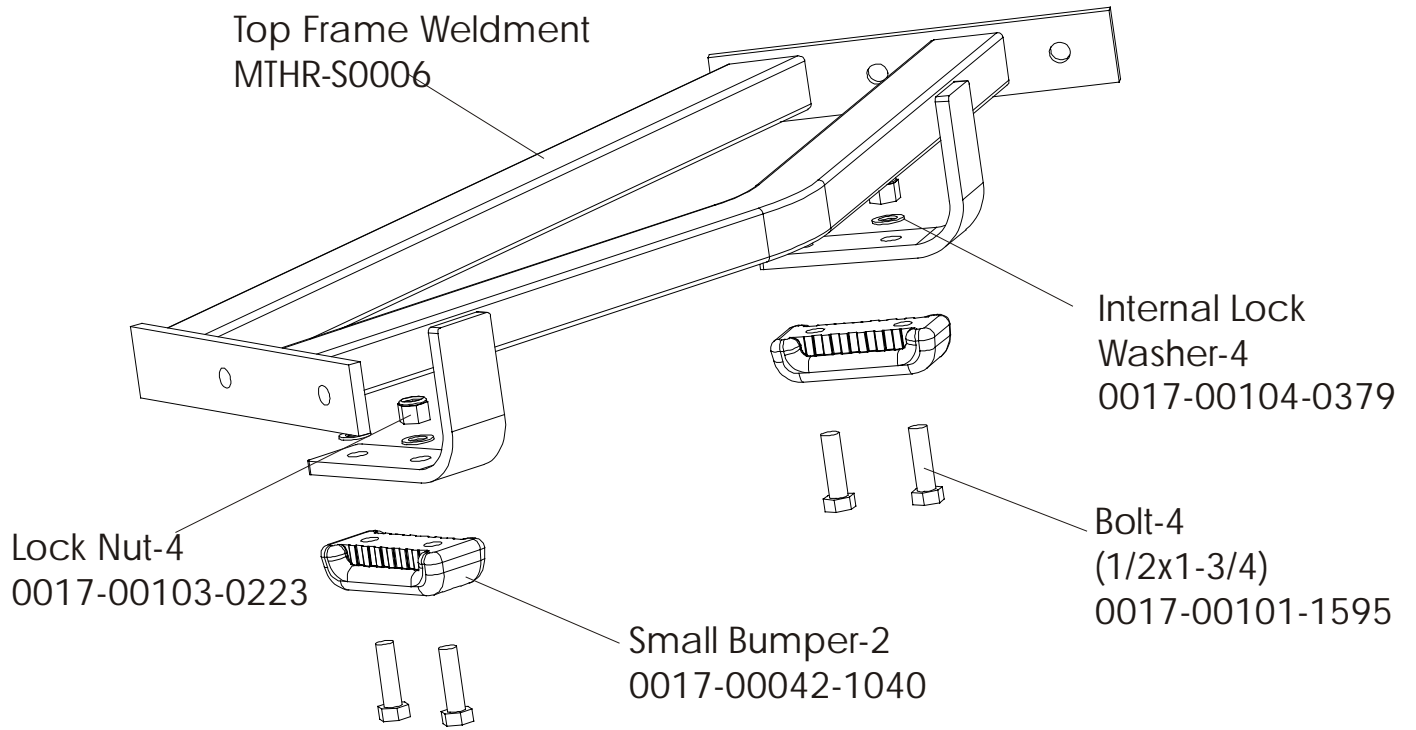




# MTHR HIGH ROW

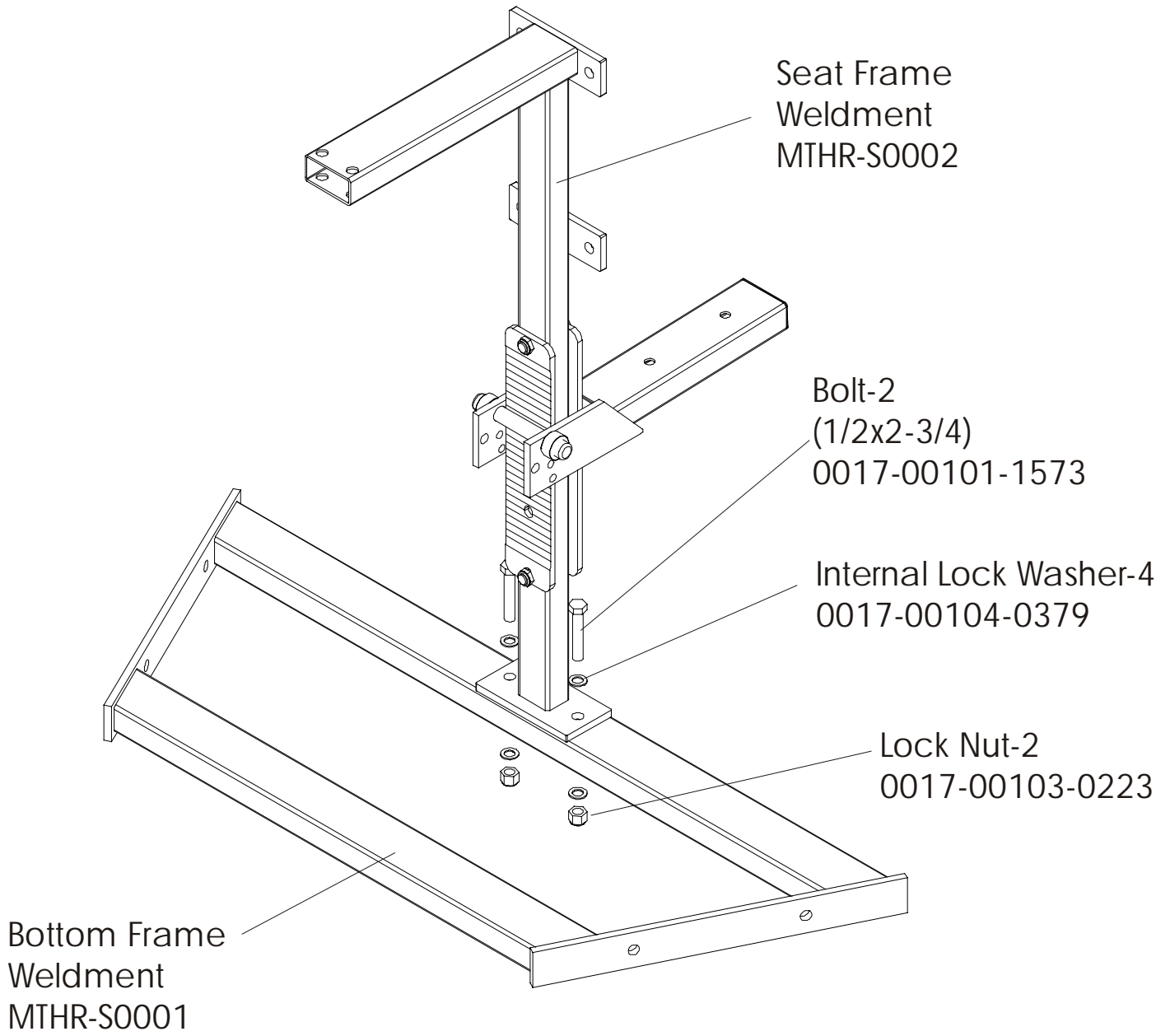
## TOP FRAME ASSEMBLY

---



# MTHR HIGH ROW BOTTOM FRAME SUPPORT

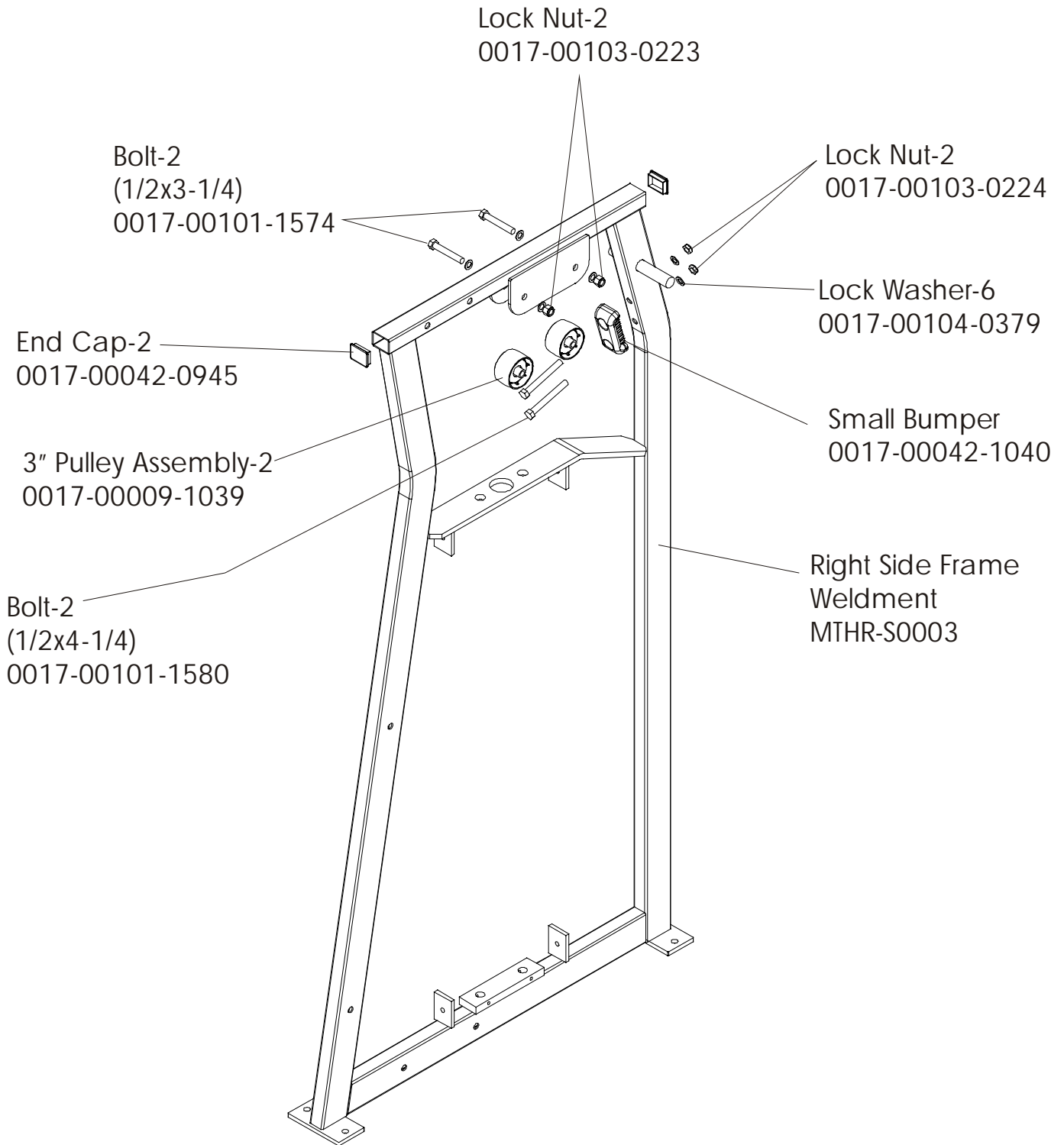
---



# MTHR HIGH ROW

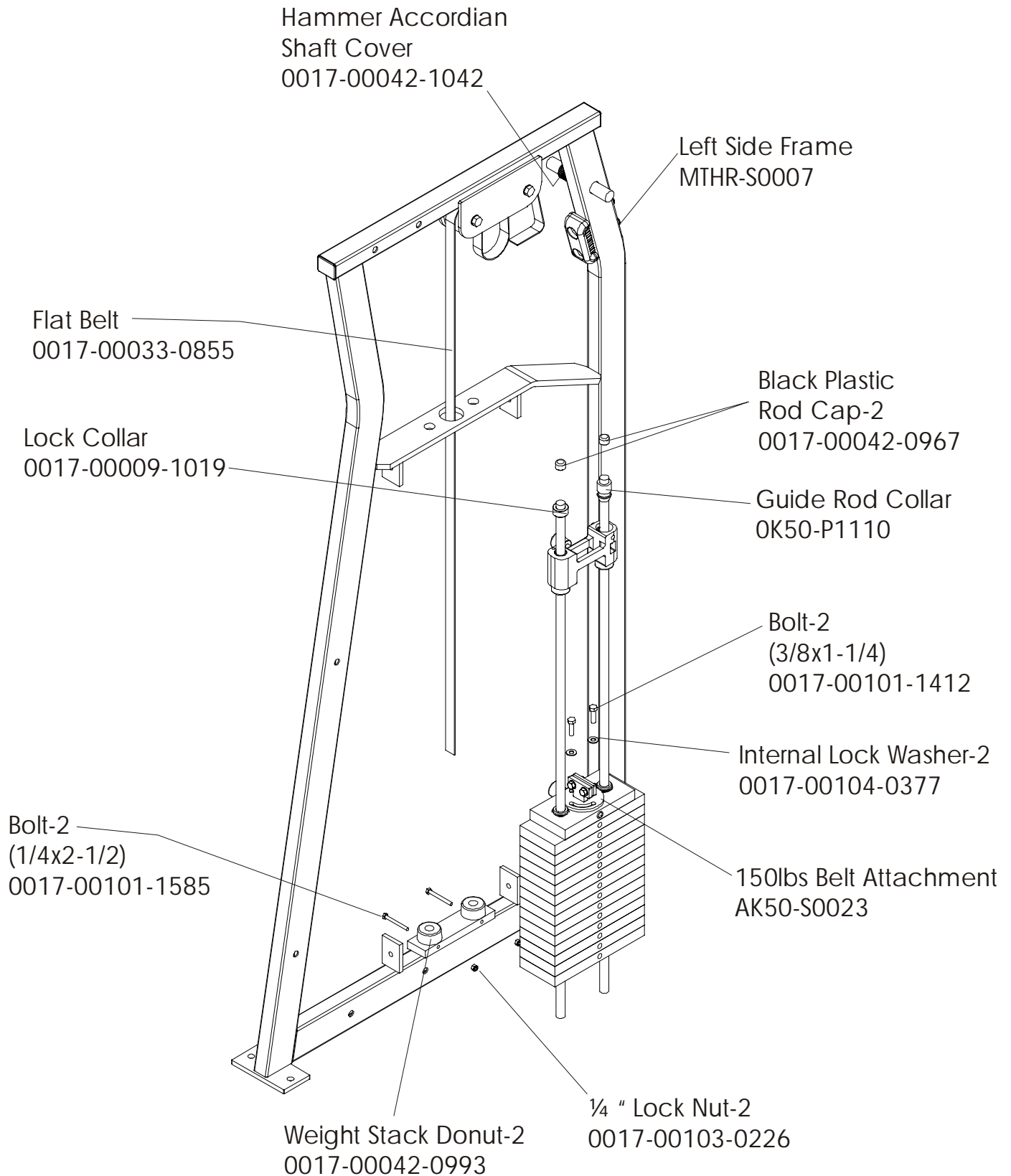
## LEFT SIDE FRAME

---



# MTHR HIGH ROW

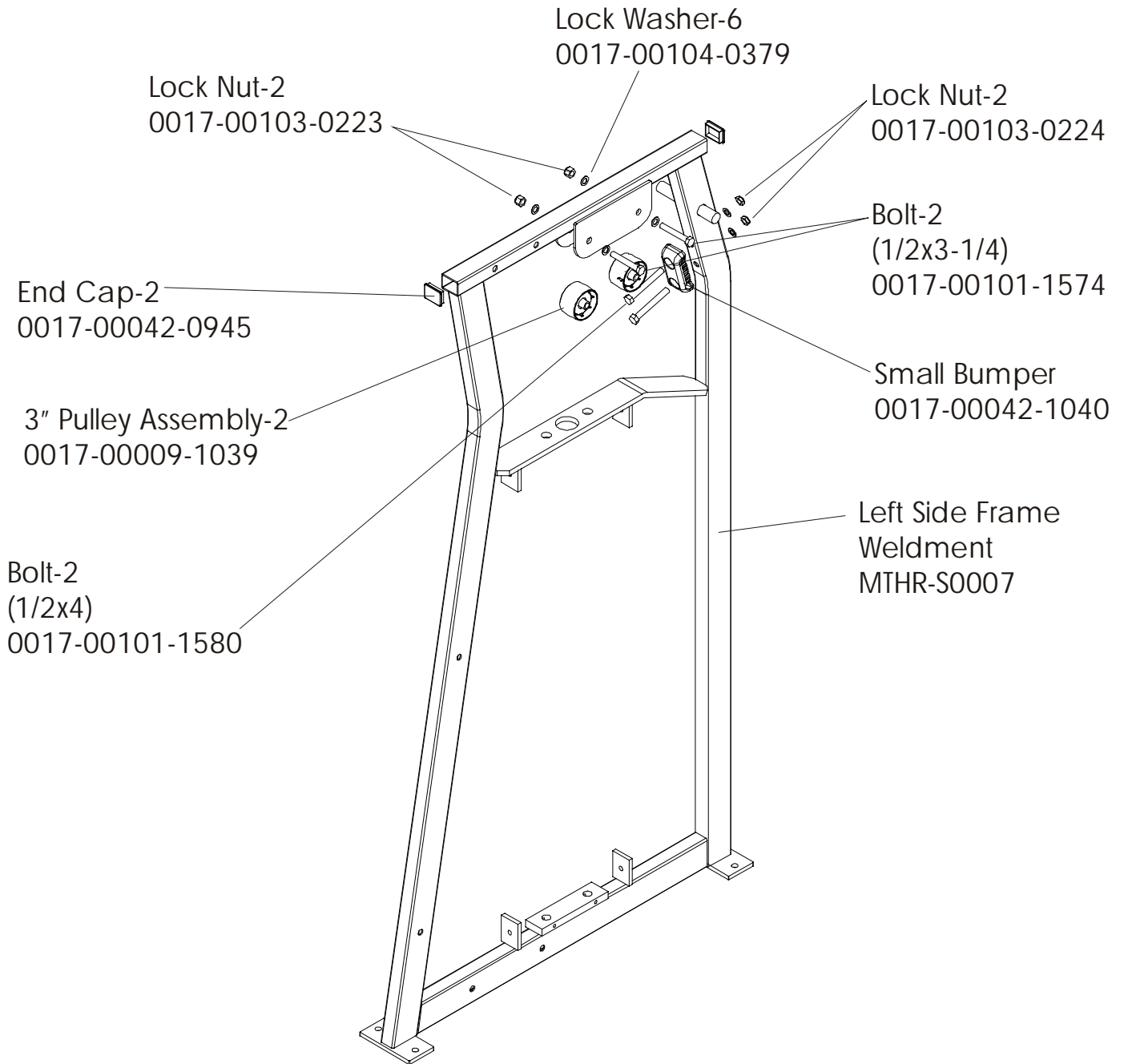
## LEFT SIDE FRAME W/WEIGHTS



# MTHR HIGH ROW

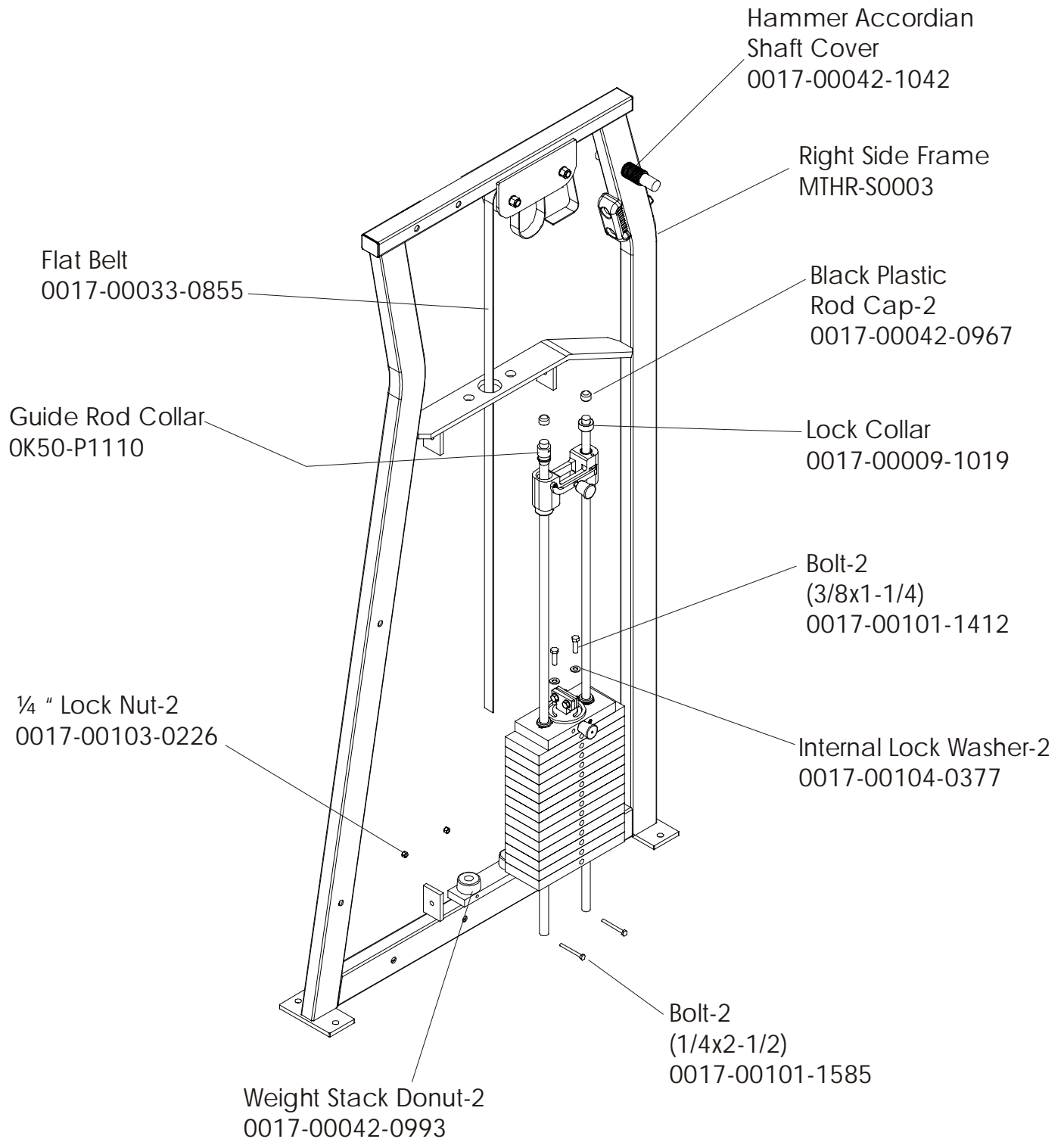
## RIGHT SIDE FRAME

---



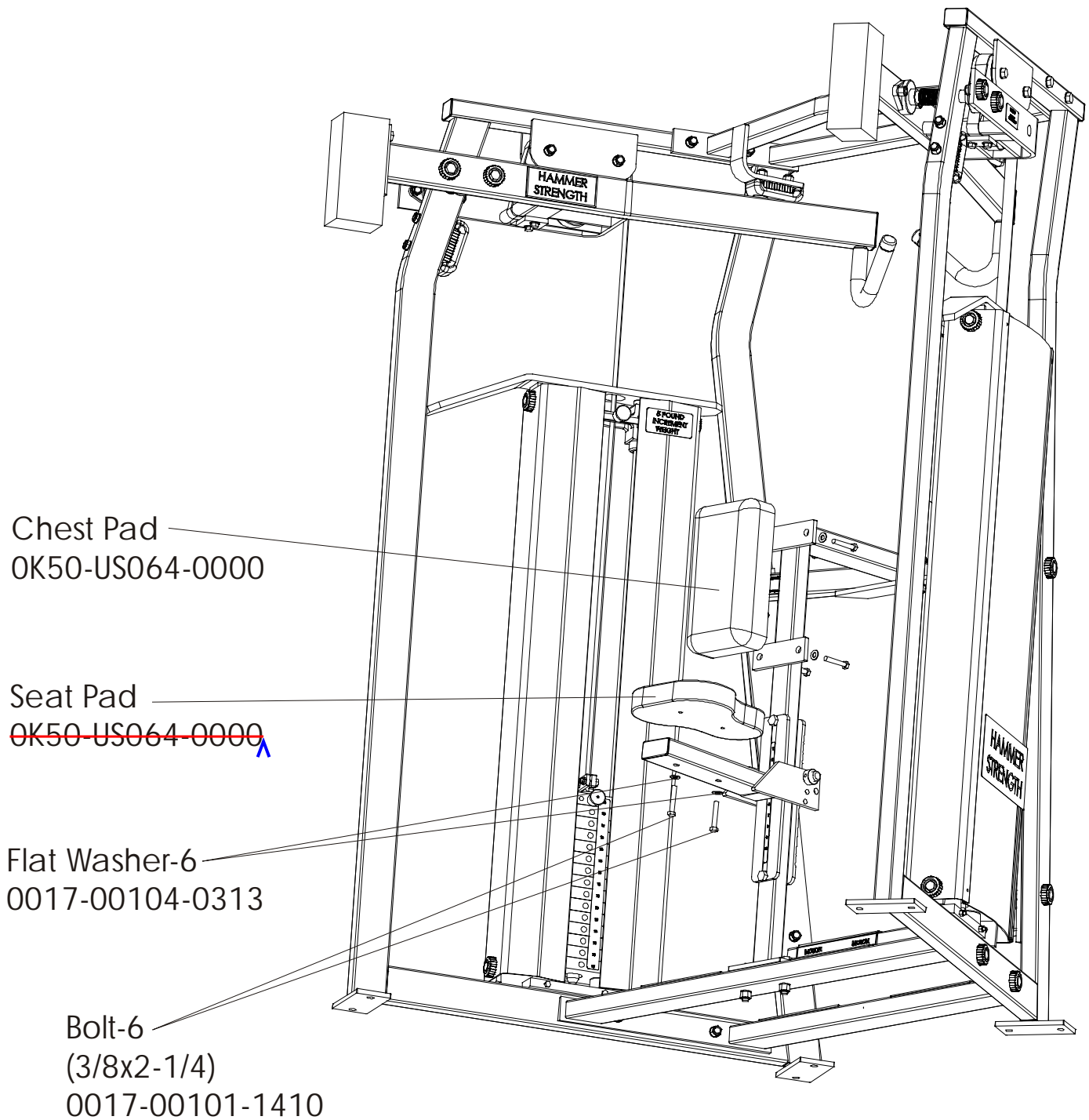
# MTHR HIGH ROW

## RIGHT SIDE FRAME W/WEIGHTS



# MTHR HIGH ROW PADS

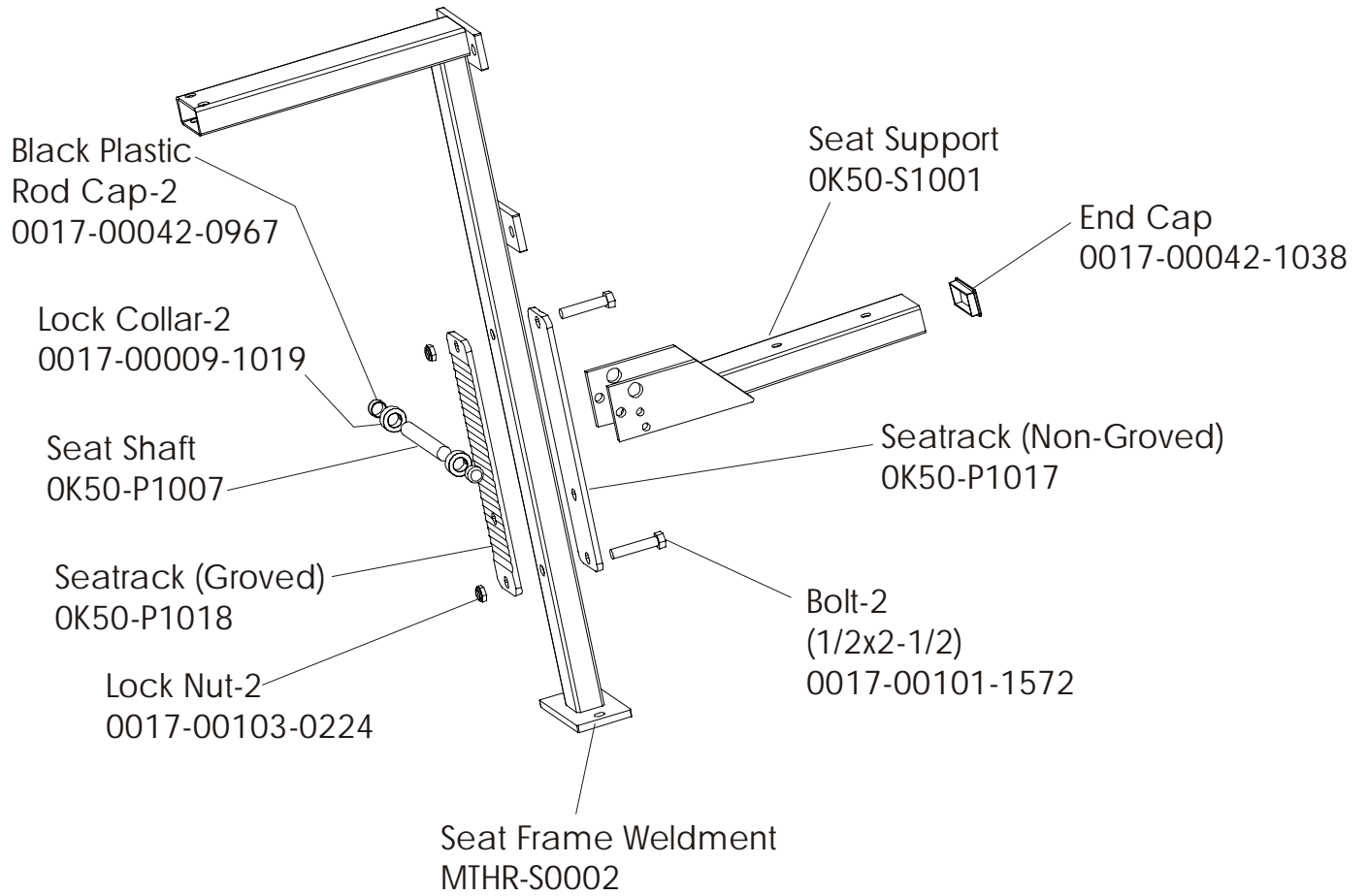
---



# MTHR HIGH ROW

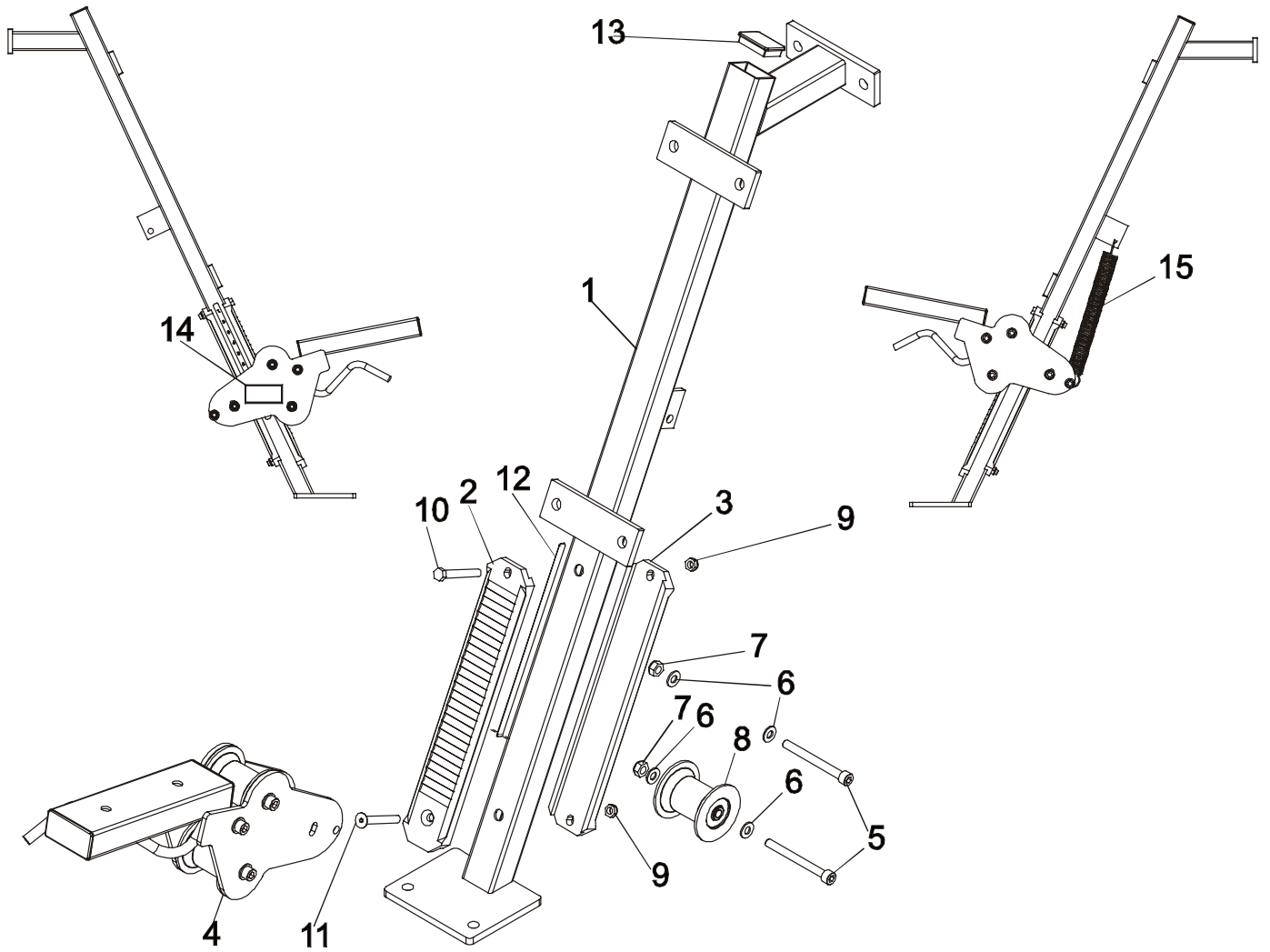
## SEAT FRAME WELDMENT

---



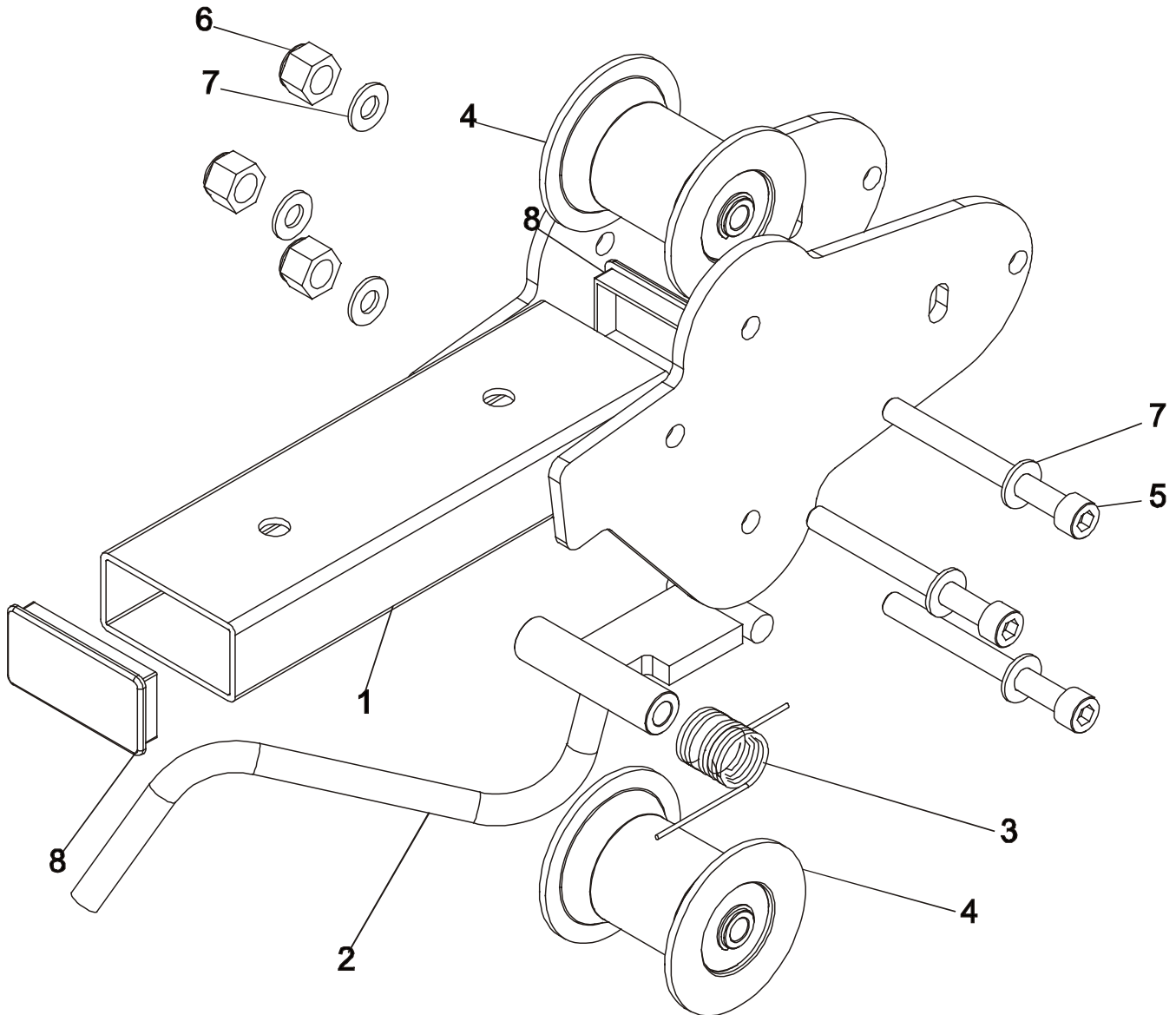


# MTHR HIGH ROW SEAT FRAME ASSEMBLY



ITEM NO.	QTY.	PART NO.	DESCRIPTION
1	1	MTDP-S0002	Seat Frame Weldment
2	1	7359401	Seatrack, Roller Serrated
3	1	7359501	Seatrack, Roller Flat
4	1	AK50-A1007	MTS SEAT#2 ASSM. (ROLLER)
5	2	0017-00101-1662	M10 X 64 HXS SOC CS ST ZN
6	4	0017-00104-0377	3/8" Internal Lock Washer
7	2	0017-00103-0289	10mm THIN NYLOC NUT
8	1	73763	ROLLER ASSM.
9	2	0017-00103-0217	3/8" Thin Lock Nut
10	1	0017-00101-1408	3/8 X 2 3/4 Bolt
11	1	0017-00101-1664	3/8" FLAT HEAD BOLT
12	1	M051-00296-A000	NUMBER STRIP (1-12)
13	1	0017-00042-0945	1 1/2 X 2 Endcap
14	1	M051-00602-A000	MTAB SEAT INSTR. DECAL
15	1	7442601	MTS SEAT EXTENSION SPRING

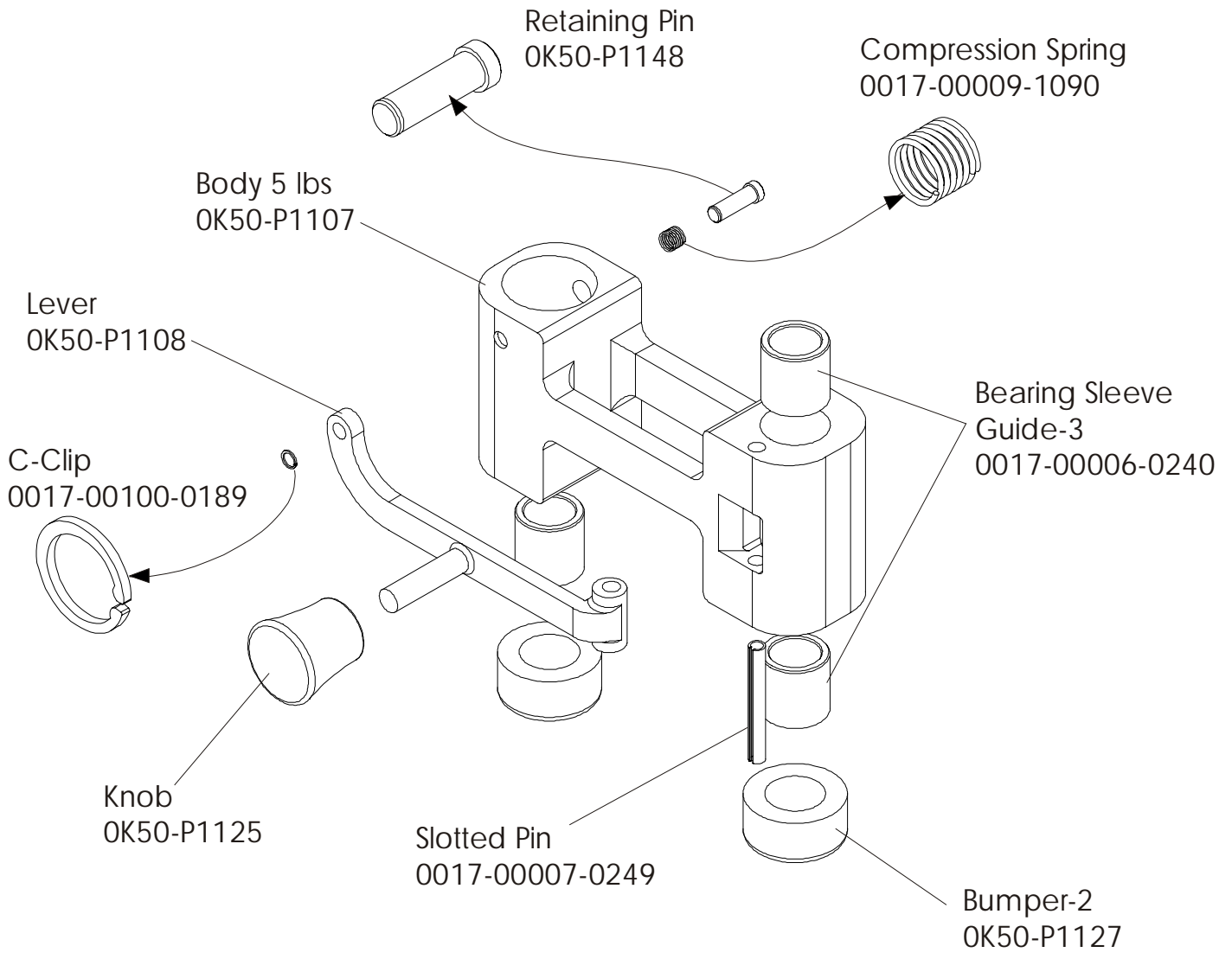
# MTHR HIGH ROW SEAT ROLLER ASSEMBLY



ITEM NO.	QTY.	PART NO.	DESCRIPTION
1	1	0K50-S1006	MTS SEAT #1 (ROLLER)
2	1	AK50-S0040-0000	WELDMENT, PS- ROLLER SEAT HANDLE
3	1	0017-00009-1110	TORSION SPRING, S.S.
4	2	73763	ROLLER ASSM.
5	3	0017-00101-1662	M10 X 64 HXS SOC CS ST ZN
6	3	0017-00103-0223	1/2" THICK NYLOC NUT
7	6	0017-00104-0377	3/8" Internal Lock Washer
8	2	0017-00042-1038	1.5" X 3.0" PLASTIC END CAP

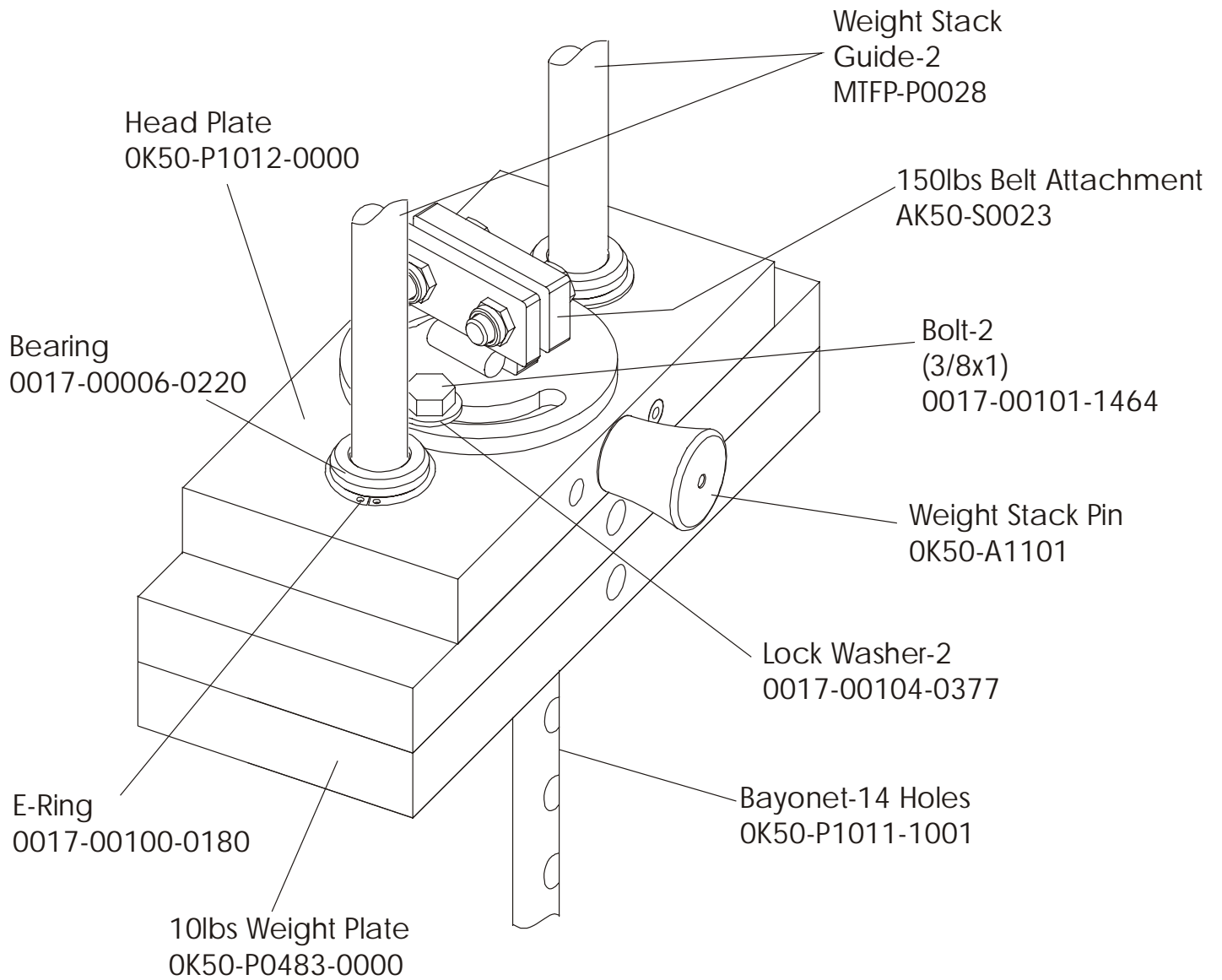
# MTHR HIGH ROW INCREMENT WEIGHT

---



# MTHR HIGH ROW WEIGHT STACK

---



# MTHR HIGH ROW

## DECALS

