

# Front Roller Option Assembly Instructions



Use with 15 Series 48" & 72" Overseeder

Manual No. 308-305M

## Before You Start



When you see this symbol, the subsequent instructions and warnings are serious - follow without exception. Your life and the lives of others depend on it!

**IMPORTANT:** Before you begin, read these instructions and check to be sure all parts and tools are accounted for. Please retain these installation instructions for future reference and parts ordering information.

These optional assembly instructions contain only information on assembling the attachment to the main unit. Please read these installation instructions and the vehicle Operator's Manual thoroughly before beginning. Especially read information relating to safety concerns. Also included in the Operator's Manual is important information on operation, adjustment, troubleshooting, and maintenance for this attachment (some manual sections do not apply to all accessories).

A separate Parts Manual for replacement parts can be purchased from your dealer or available free of charge at [www.landpride.com](http://www.landpride.com). Have model and serial numbers handy when placing an order.

### Manual Part Numbers:

- Operator's Manual . . . . . 308-303M
- Parts Manual . . . . . 308-303P

## General Information

These option assembly instructions apply to the **Front Roller Packages** listed below:

- 308-258A OS1548 Front Roller Assembly**
- 308-259A OS1572 Front Roller Assembly**

Starting on page 3 is a detailed listing of parts included in these kits. Use this list as a checklist to inventory parts received.

## Assembly Instructions

### Installation Instructions

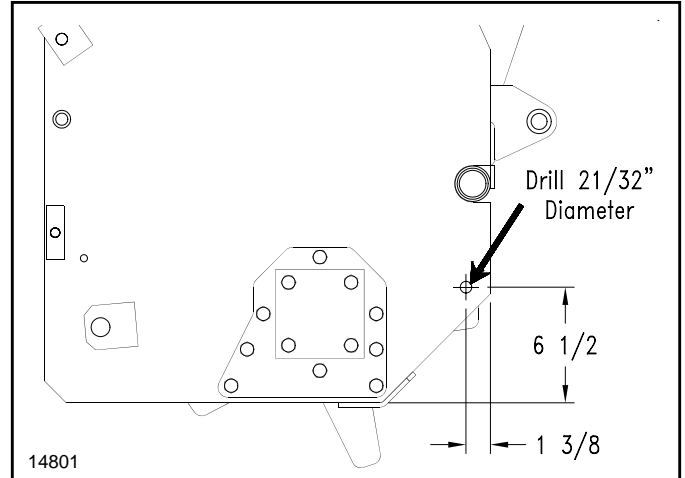
Refer to Figure 1 for front roller mounting hole locations.

#### Refer to Figure 2:

Attach the floating top link (#1) to the overseeder hitch using the spacer tube (#2), a 3/4" x 4" long bolt (#3), 3/4" lock washer (#4) and a 3/4" hex nut (#5).

If the front roller arm (#6) and the front roller (#7) are not assembled, bolt them together with a 1/2" x 1 1/2" long bolt (#8), 1/2" lock washer (#9) and a 1/2" hex nut (#10).

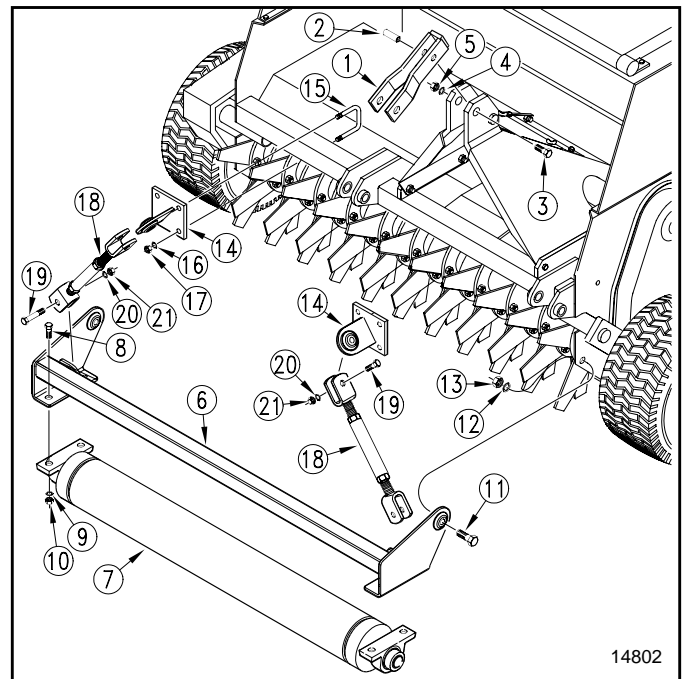
Attach that assembly to your overseeder using 5/8" x 2" long bolts (#11), 5/8" lock washers (#12) and 5/8" hex nut (#13).



**Hole Locations Typical on Both Ends of Seeder  
Figure 1**

Use the 1/2" x 2 1/2" x 3 1/2" long u-bolts (#15), 1/2" lock washers (#16) and 1/2" hex nuts (#17) to attach the turnbuckle mounts (#14). The turnbuckle (#18) should then be attached with 5/8" x 2 1/2" long bolts (#19), 5/8" lock washers (#20) and 5/8" hex nuts (#21).

**NOTE:** Some of the above parts may already be assembled.



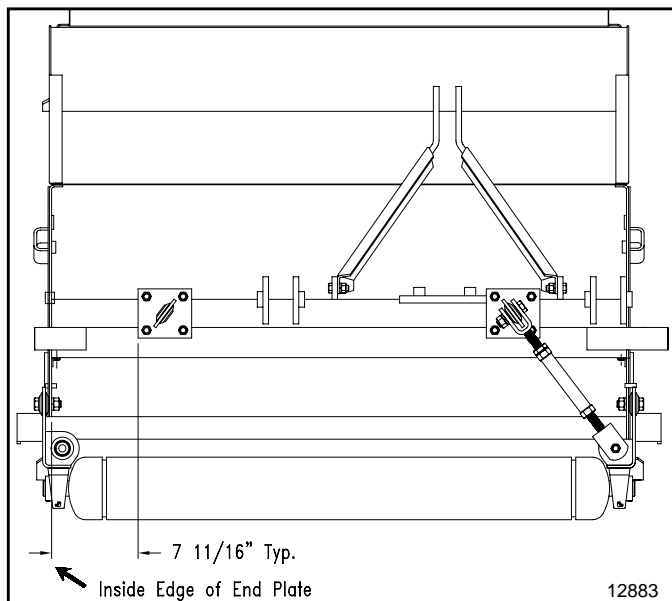
**Front Roller Assembly  
Figure 2**

## Assembly Instructions

### Refer to Figure 3:

Turnbuckle Mount should be Spaced  $7\frac{11}{16}$ " from inside edge of end plates as shown.

**NOTE:** Although a 48" model Overseeder is shown, dimensions will remain the same on a 72" model.



**Turnbuckle Locations Typical on Both Ends of Seeder  
Figure 3**

## Assembly Instructions

### 308-258A 15 Series 48" Overseeder Front Roller Assembly

Your Kit Includes:

Qty.	Part No.	Part Description
1	308-247H	FRONT ROLLER WELDMENT OS1548
2	308-252K	TURNBUCKLE ASSY 12 3/8-17 7/8
2	308-253H	UPPER TURNBUCKLE MOUNT
1	308-255H	FRT ROLLER ARM WELDMENT OS1548
1	308-260H	FLOATING TOP LINK
1	308-339D	FLOATING TOP LINK SPACER TUBE
2	802-055C	HHCS 5/8-11X2 GR5
4	802-058C	HHCS 5/8-11X2 1/2 GR5
1	802-068C	HHCS 3/4-10X4 GR5
4	802-091C	HHCS 1/2-13X1 1/2 GR5
12	803-020C	NUT HEX 1/2-13 PLT
6	803-021C	NUT HEX 5/8-11 PLT
1	803-027C	NUT HEX 3/4-10 PLT
12	804-015C	WASHER LOCK SPRING 1/2 PLT
6	804-022C	WASHER LOCK SPRING 5/8 PLT
1	804-023C	WASHER LOCK SPRING 3/4 PLT
4	806-010C	U-BOLT 1/2-13 X 2 1/2 X 3 1/2
2	822-094C	BEARING PILLOW BLOCK 1 3/8BORE

### 308-259A 15 Series 72" Overseeder Front Roller Assembly

Your Kit Includes:

Qty.	Part No.	Part Description
1	308-248H	FRONT ROLLER WELDMENT OS1572
2	308-252K	TURNBUCKLE ASSY 12 3/8-17 7/8
2	308-253H	UPPER TURNBUCKLE MOUNT
1	308-256H	FRT ROLLER ARM WELDMENT OS1572
1	308-260H	FLOATING TOP LINK
1	308-339D	FLOATING TOP LINK SPACER TUBE
2	802-055C	HHCS 5/8-11X2 GR5
4	802-058C	HHCS 5/8-11X2 1/2 GR5
1	802-068C	HHCS 3/4-10X4 GR5
4	802-091C	HHCS 1/2-13X1 1/2 GR5
12	803-020C	NUT HEX 1/2-13 PLT
6	803-021C	NUT HEX 5/8-11 PLT
1	803-027C	NUT HEX 3/4-10 PLT
12	804-015C	WASHER LOCK SPRING 1/2 PLT
6	804-022C	WASHER LOCK SPRING 5/8 PLT
1	804-023C	WASHER LOCK SPRING 3/4 PLT
4	806-010C	U-BOLT 1/2-13 X 2 1/2 X 3 1/2
2	822-094C	BEARING PILLOW BLOCK 1 3/8BORE



Corporate Office: P.O. Box 5060  
Salina, Kansas 67402-5060 USA  
[www.landpride.com](http://www.landpride.com)

---