

Composite Framed Acrylic Backboard

⚠ SAFETY INSTRUCTIONS ⚠

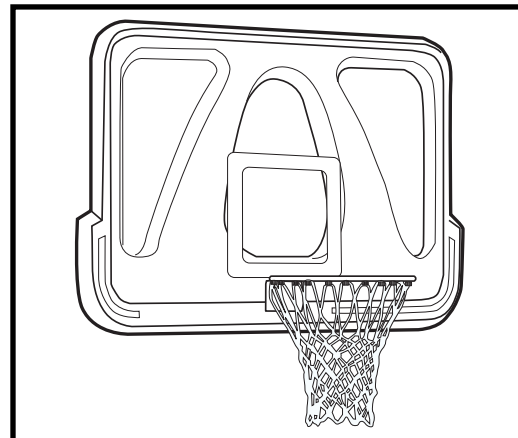
FAILURE TO FOLLOW THESE SAFETY INSTRUCTIONS MAY
RESULT IN SERIOUS INJURY,
PROPERTY DAMAGE AND WILL VOID WARRANTY.

*Owner must ensure that all players know and follow these
rules for safe operation of the unit.*

To ensure safety, do not attempt to assemble this system without following the instructions carefully. Before beginning assembly, read the instructions and identify parts using the hardware identifier and parts list in this document. Proper and complete assembly, use and supervision is essential for proper operation and to reduce the risk of accident or injury. A high probability of serious injury exists if this system is not installed, maintained, and operated properly.

- Read and understand the warning label enclosed with hardware. It is the responsibility of the customer to mount this label. It should be affixed to the pole, wall, or door near playing area, at a height between 4-6 feet above ground level and in a location visible to all players.
- During assembly, if using a ladder use extreme caution. Two people are recommended for this operation.
- If technical assistance is required, contact Huffy Sports.
- Serious injury could occur if teeth/face come in contact with backboard, net or rim.
- Minimum operational height is 6' 6" to the bottom of backboard.

*Most injuries are caused by misuse and/or not following instructions.
Use caution when using this unit.*



REQUIRED TOOLS AND MATERIALS:

- Step Ladder 8 ft. (2.4m)
- Adjustable Wrench
- Wrenches: (One) 3/4" (Two) 1/2"
- Phillips Screwdriver

⚠ WARNING

FAILURE TO FOLLOW THESE WARNINGS MAY RESULT
IN SERIOUS INJURY AND/OR PROPERTY DAMAGE.

*Owner must ensure that all players know and
follow these rules for safe operation of the unit.*

- See instruction manual for proper installation and maintenance.
- Use caution when performing dunk type activities on this unit.
- Do not hang from any part of unit, including backboard, support braces, rim or net.
- Check unit before each use for loose hardware, excessive wear and signs of corrosion and repair before using.
- During play, use extreme caution to keep player's face away from the backboard, rim or net. Serious injury could occur if teeth/face come in contact with backboard, rim or net.
- During play, do not wear jewelry (rings, watches, necklaces, etc.) Objects may entangle in net.

HUFFY[®]SPORTS

In the U.S.: 1-800-558-5234 and Canada Only: 1-800-284-8339
In Australia: 1-800-632-792 206118 5/97

In U.S. and Canada only: IMPORTANT! Don't go back to the store!

We appreciate your purchasing one of our many fine products. We are sure that you will be very satisfied with your selection. We regret that although great care and effort have been taken, occasionally problems may occur. To ensure prompt and correct handling of any problems, or to answer any questions, please contact our Toll-Free Customer Service Number listed below. **Service will be quicker if you have your Model Number (found on carton) and assembly instructions ready when calling. PLEASE WRITE YOUR MODEL NUMBER IN THE SPACE PROVIDED ABOVE.**

Toll-Free Customer Service Number for U.S: **1-800-558-5234** and Canada Only: **1-800-284-8339**

Internet Address: <http://www.huffysports.com>

PARTS LIST - See Hardware Identifier

<u>Item</u>	<u>Qty.</u>	<u>Part No.</u>	<u>Description</u>
1	1	206118	Warning Label
2	4	201611	Hex Flange Bolt 5/16-18 x 3 Long
3	4	203104	Hex Flange Bolt 5/16-18 x 2 Long
4	4	203309	Washer, 1 O.D.
5	6*	203100	Hex Flange Nut, 5/16 x 18
6	1		Rim
7	12	201219	Clips, Net Holder Smart Clips
8	1	204281	Net
9	2	200533	Spacer, Board Mount
10	4	205528	Bolt, Hex Head, 5/16-18 x 1

* You may have extra parts with this model.

ASSEMBLY INSTRUCTIONS

IMPORTANT! WRITE MODEL NUMBER FROM BOX ONTO PAGE 1 OF THIS OWNERS MANUAL

- ▲ **WARNING: TWO PEOPLE ARE NECESSARY TO MOUNT THE BACKBOARD ASSEMBLY TO SUPPORT STRUCTURE. ONE PERSON SHOULD NOT ATTEMPT TO DO THIS ALONE.**
- ▲ **WARNING: MOUNTING THE BACKBOARD ASSEMBLY TO THE SUPPORT STRUCTURE IS PERFORMED AT AN ELEVATED HEIGHT. USE PROPER PRECAUTION.**
- ▲ **WARNING: IT IS RECOMMENDED TO MOUNT BACKBOARD TO A SOLID (STEEL) SUPPORT.**

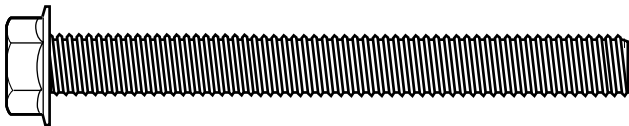
1. Mounting Options "A, B or C"

1. Attach Backboard and rim using one of the options as shown.

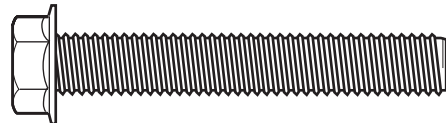
▲ **WARNING: USE OF THIS PRODUCT WITHOUT PROPER INSTALLATION OF SMART CLIPS, OR WHEN ALL SMART CLIPS ARE NOT PRESENT COULD RESULT IN BODILY HARM. BE SURE TO FOLLOW DIRECTIONS CAREFULLY.**

2. Install net clips as shown (See Illustration).
3. Install net as shown (See Illustration).
4. Place warning label (1) in location clearly visible within playing area.

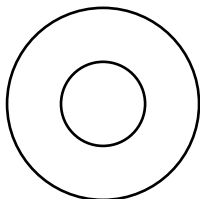
HARDWARE IDENTIFIER



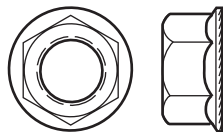
Item #2 (4)



Item #3 (4)



Item #4 (4)



Item #5 (6)*

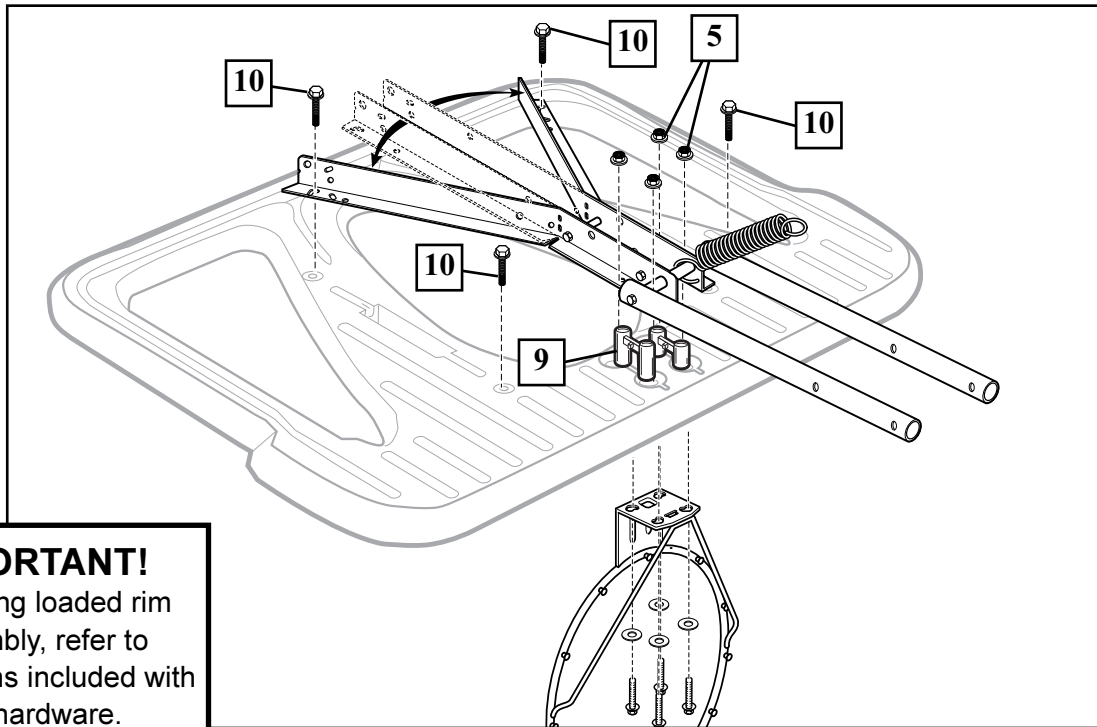


Item #7 (12)*



Item #10 (4)

1C.

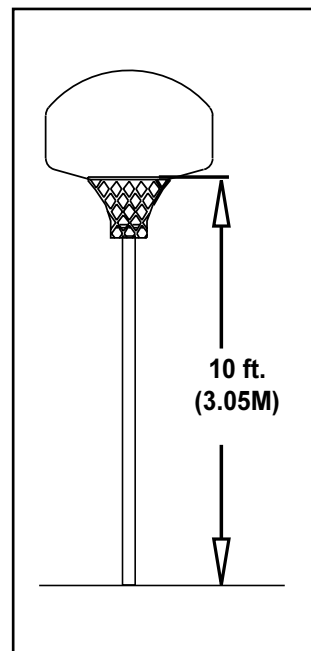


IMPORTANT!
For spring loaded rim assembly, refer to instructions included with rim hardware.

WARNING: IF YOUR SYSTEM IS EQUIPPED WITH AN ACRYLIC BACKBOARD, EXAMINE BACKBOARD FOR ANY DAMAGE THAT MAY HAVE OCCURRED DURING SHIPMENT. CRACKS IN THE BACKBOARD COULD RESULT IN SUDDEN BREAKAGE. IF BACKBOARD IS DAMAGED IN ANY WAY PRIOR TO OR AFTER ASSEMBLY, CALL TOLL-FREE NUMBER FOR FREE REPLACEMENT: U.S. 1-800-558-5234; CANADA: 1-800-284-8339; <http://www.huffysports.com>

REGULATION RIM HEIGHT IS 10 FEET (3.05M).

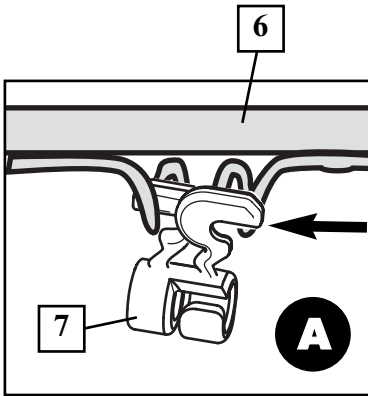
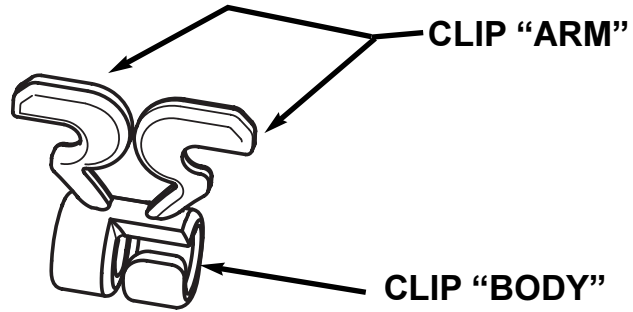
- La hauteur réglementaire du cerceau est à 3,05 m (10 pieds).
- La altura oficial del borde (NBA) es de 3.05 m (10 pies).
- Die offizielle Korbhöhe in der National Basketball Association der U.S.A. (NBA) ist 3,05 m (10 Fuß).



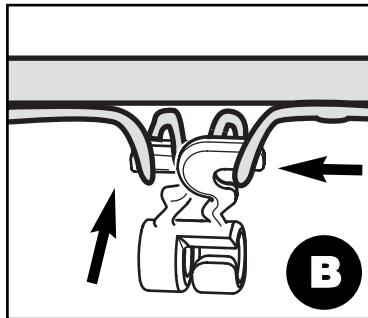
2.

Install net clips.

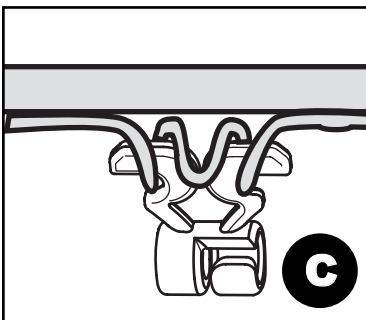
! WARNING: Use of this product without proper installation of net clips, or when all net clips are not present could result in bodily harm. Be sure to follow directions carefully.



Insert one "arm" of clip into ram as shown. Twist "body" of clip slightly so that second "arm" slides over the top of the first "arm" as shown. Push in direction indicated by arrows.



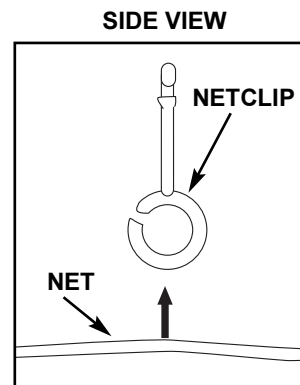
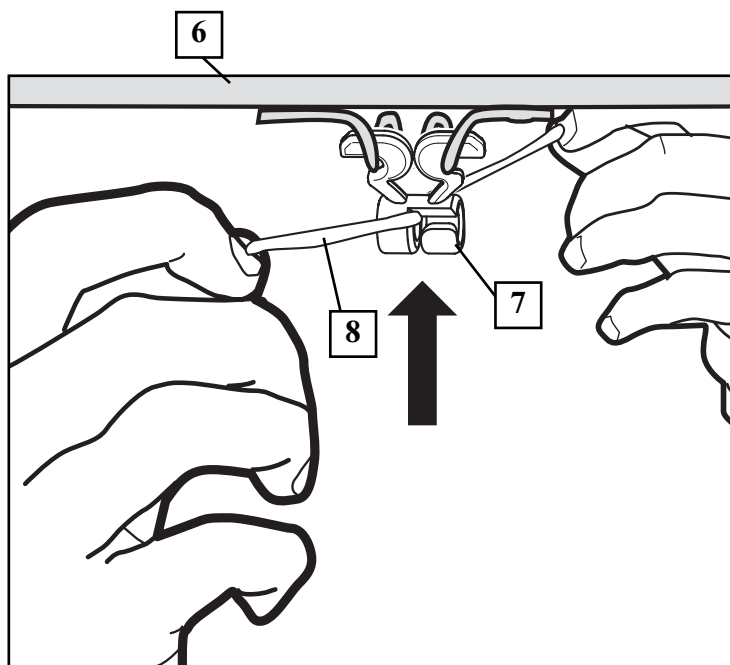
Push second "arm" back and into ram as shown.



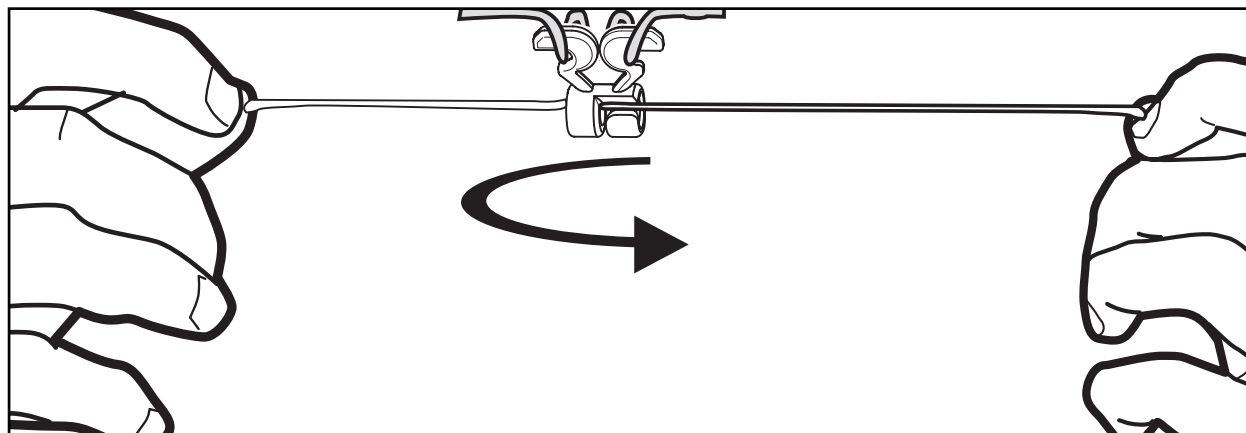
Twist "body" of clip slightly again to spread "arms" of clip. Clip "arms" must be flat and touching edge to edge as shown, not overlapping.

NET INSTALLATION

3.



Insert net into bottom of clip as shown.



Twist net until it snaps into position.
Net must be centered through clip.

