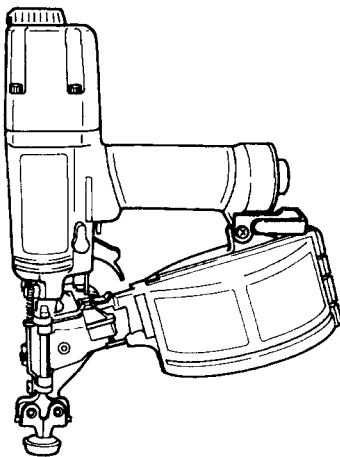


HITACHI

INSTRUCTION MANUAL AND SAFETY INSTRUCTIONS FOR COIL NAILER

MODEL NV 50AG



⚠ WARNING:

Improper and unsafe use of this Nailer can result in death or serious bodily injury !

This manual contains important information about product safety. Please read and understand this manual before operating the Nailer. Please keep this manual available for others before they use the Nailer.

— CONTENTS —

	Page
IMPORTANT INFORMATION.....	2
MEANINGS OF SIGNAL WORDS.....	2
SAFETY	
IMPORTANT SAFETY INSTRUCTIONS	
FOR USING NAILERS	3
IMPORTANT SAFETY INSTRUCTIONS	
FOR USE OF NV50AG.....	7
OPERATION AND MAINTENANCE	
NAME OF PARTS.....	8
SPECIFICATIONS.....	8
NAIL SELECTION.....	9
ACCESSORIES	10
STANDARD ACCESSORIES.....	10
APPLICATIONS	10
PREPARATION PRIOR TO OPERATION	10
BEFORE USE.....	11
HOW TO USE THE NAILER.....	15
MAINTENANCE AND INSPECTION	19
SELECTING A COMPRESSOR	21
OILER-FILTER REDUCING VALVE (Air Set).....	22
APPLICABLE LUBRICANTS	22
SERVICE AND REPAIRS	22

IMPORTANT INFORMATION

Read and understand all of the operating instructions, safety precautions and warnings in the Instruction manual before operating or maintaining this Nailer.

Most accidents that result from Nailer operation and maintenance are caused by the failure to observe basic safety rules or precautions. An accident can often be avoided by recognizing a potentially hazardous situation before it occurs, and by observing appropriate safety procedures.

Basic safety precautions are outlined in the "SAFETY" section of this Instruction manual and in the sections which contain the operation and maintenance instructions.

Hazards that must be avoided to prevent bodily injury or machine damage are identified by WARNINGS on the Nailer and in this Instruction manual.

Never use this Nailer in a manner that has not been specifically recommended by HITACHI, unless you first confirm that the planned use will be safe for you and others.

MEANINGS OF SIGNAL WORDS

WARNING indicates a potentially hazardous situations which, if ignored, could result in serious personal injury.

CAUTION indicates a hazardous situations which, if ignored, could result in moderate personal injury, or could cause machine damage.

NOTE emphasizes essential information.

SAFETY

IMPORTANT SAFETY INSTRUCTIONS FOR USING NAILERS

⚠ WARNING: Death or serious bodily injury could result from improper or unsafe use of Nailers. To avoid these risks, follow these basic safety instructions:

READ ALL INSTRUCTIONS

1. ALWAYS WEAR EYE, EAR AND HEAD PROTECTION.

- When operating the Nailer, always wear eye protection, and ensure that surrounded people wear safety glasses, too.
Eye protection equipment must conform with the requirement of the latest revision of the American National Standard Institute (ANSI) Standard Z87.1, and have proper shield on both sides.
- In order to protect your ears from strong noise, please wear ear protection.
- In order to protect your head from flying objects, please wear head protection.

2. NEVER USE BOTTLED GASES.

Never use oxygen, carbon dioxide or any other bottled gases as a power source for the Nailer.

Use of the above gases is dangerous, as the Nailer may explode.

3. DO NOT EXCEED 120 psi..

Use only clean, dry, regulated compressed air. Do not exceed maximum recommended air pressure 120 psi. (8.5 kgf/cm²).

Never connect the Nailer to pressure which potentially exceeds 200 psi. (14 kgf/cm²) as the Nailer may burst.

4. NEVER POINT THE NAILER TOWARD YOURSELF OR ANYONE ELSE.

Always assume the Nailer contains fasteners.

Never point the Nailer toward yourself or anyone else, whether it contains fasteners or not.

If fasteners are mistakenly driven, it may lead to severe injuries.

5. NEVER CARRY WITH FINGER ON TRIGGER.

Remove finger from trigger when not driving fasteners.

Never carry the Nailer with finger on trigger since you could drive a fastener unintentionally and injure yourself or anyone else.

6. STORE NAILER PROPERLY.

When not in use, the Nailer should be stored in a dry place. Keep out of reach of children. Lock-out the storage area.

7. KEEP WORK AREA CLEAN.

Cluttered areas and benches invite injuries. Clear all work areas and work benches of unnecessary tools, debris, furniture, etc..

8. CONSIDER WORK AREA ENVIRONMENT.

Do not use the Nailer in presence of flammable liquids or gases. Nailers produce sparks during operation.

Never use Nailers in sites containing lacquer, paint, benzine, thinner, gasoline, gases, adhesive agents, and other materials which are combustible or explosive.

9. KEEP CHILDREN AWAY.

Do not let children contact the Nailer.

All children should be kept safely away from work area.

10. DRESS PROPERLY.

Do not wear loose clothing or jewelry. They can be caught in moving parts. Rubber gloves and non-skid footwear are recommended when working outdoors.

Wear protective hair covering to contain long hair.

11. NEVER CONNECT FEMALE COUPLING TO THE NAILER.

This can trap air in the Nailer, leaving it live for one extra, unexpected shot. The Nailer and air supply hose must have a hose coupling such that all pressure is removed from the Nailer when the coupling joint is disconnected.

12. CHECK PARTS BEFORE USE.

Make sure all screws, bolts and covers are securely tightened.

Never use the Nailer if the push lever, the trigger and the other parts are missing or damaged. Do not tamper with or remove the push lever or the trigger.

(The push lever may be called "Safety".)

13. CHECK PUSH LEVER AND TRIGGER BEFORE USE.

Make sure the push lever and the trigger operate properly. Connect the hose without fasteners loaded in the Nailer and check for the following:

- That the driver blade does not operate by merely pulling the trigger.
- That the driver blade does not operate by merely pushing the push lever against the material to be driven.

In either case should the driver blade operate do not use as this is an indication that the Nailer is faulty.

Immediately have the Nailer inspected and repaired.

14. WHEN CONNECTING OR DISCONNECTING THE HOSE OR WHEN LOADING THE FASTENERS INTO THE NAILER, TAKE SPECIAL PRECAUTION OF THE FOLLOWING:

A mistaken fastener discharge is a great danger.

- Do not touch the trigger with your finger.
- Do not press the front of the push lever.
- Always keep the Nailer pointed downward.
- Make sure the Nailer is never pointed at yourself or anyone else.

- 15. KEEP HANDS AND FEET AWAY FROM FIRING HEAD WHEN USING.**
It is very dangerous for a fastener to hit the hands or feet by mistake.
- 16. PRESS FIRING HEAD PROPERLY ON WORKPIECE.**
Do not drive fasteners on top of other fasteners or with the Nailer at too steep of an angle; the fasteners can ricochet and hurt someone.
- 17. HOLD THE NAILER FIRMLY TO MINIMIZE RECOIL.**
Recoil can result in a second fastener being driven unintentionally.
- 18. DO NOT DRIVE FASTENERS TO THIN BOARDS OR NEAR CORNERS AND EDGES OF THE WORKPIECE.**
The fasteners may drive through or away from the workpiece and hit someone.
- 19. NEVER DRIVE FASTENERS FROM BOTH SIDES OF A WALL AT THE SAME TIME.**
There is a risk that fasteners are driven through the wall and hit a person on the opposite side.
- 20. CHECK FOR LIVE WIRES.**
Avoid the risk of severe electrical shock by checking for live electrical wires that may be hidden by walls, floors or ceilings. The wires should be de-energized before work begins.
- 21. NEVER CARRY NAILERS BY HOSE.**
- 22. DO NOT OVERREACH.**
Keep proper footing and balance at all times.
- 23. NEVER USE A NAILER WHICH IS DEFECTIVE OR OPERATING ABNORMALLY.**
If the Nailer appears to be operating unusually, making strange noises, or otherwise appears defective, stop using it immediately and arrange for repairs by an authorized Hitachi service center.
- 24. DO NOT DISCONNECT THE NAILER FROM AIR WITH FINGER ON TRIGGER.**
There is a risk that a fastener is triggered when connecting to air again, which is very dangerous.
- 25. DISCONNECT THE NAILER FROM AIR WHEN:**
- 1) doing maintenance and inspection;
 - 2) clearing a jam;
 - 3) it is not in use;
 - 4) leaving work area;
 - 5) moving it to another location;
 - 6) handing it to another person.
- Never attempt to clear a jam or repair a Nailer unless you have disconnected the Nailer from air and removed all remaining fasteners from the Nailer. The Nailer should never be left unattended since people who are not familiar with the Nailer might handle it and injure themselves.

26. STAY ALERT.

Watch what you are doing. Use common sense. Do not operate Nailer when you are tired.

Nailers should never be used by you if you are under the influence of alcohol, drugs or medication that makes you drowsy.

27. HANDLE NAILER CORRECTLY.

Operate the Nailer according to the instructions provided herein. Do not drop or throw the Nailer. Never allow the Nailer to be operated by children, individuals unfamiliar with its operation or unauthorized personnel.

28. NEVER USE THE NAILER FOR APPLICATIONS OTHER THAN THOSE SPECIFIED IN THE INSTRUCTION MANUAL.

29. CAREFULLY HANDLE NAILERS.

Should a Nailer be dropped or struck against hard materials inadvertently it may be deformed, cracked or damaged.

So carefully handle the Nailer. Also, do not scratch or engrave signs on the Nailer. Owing to high pressure air inside the Nailer, cracks in the surface are dangerous.

Never use a cracked Nailer or a Nailer whose air is leaking.

30. MAINTAIN NAILERS WITH CARE.

Keep Nailers clean and lubricated for better and safer performance.

31. USE ONLY GENUINE HITACHI REPLACEMENT PARTS AND RECOMMENDED FASTENERS.

Unauthorized replacement parts and fasteners may void your warranty and can lead to malfunction and resulting injuries. Genuine Hitachi parts and recommended fasteners are available from your dealer.

**IMPORTANT SAFETY INSTRUCTIONS
FOR USE OF NV50AG**

⚠ WARNING: Death or serious bodily injury could result from improper or unsafe use of the Nailer. To avoid these risks, follow these basic safety instructions:

- 1. WHEN HUNG BY HOOK, ALWAYS DISCONNECT THE HOSE.**
It is very dangerous for a fastener to be driven by mistake.
- 2. COMPLETELY CLOSE THE NAIL GUIDE AND DO NOT OPEN IT DURING OPERATION.**
If driving fasteners with the nail guide open, there is a risk that the fasteners will miss the work piece.

**SAVE THESE INSTRUCTIONS
AND
MAKE THEM AVAILABLE TO
OTHER USERS OF THIS TOOL!**

OPERATION AND MAINTENANCE

NOTE:

The information contained in this Instruction manual is designed to assist you in the safe operation and maintenance of the Nailer.

Some illustrations in this Instruction manual may show details or attachments that differ from those on your own Nailer.

NAME OF PARTS

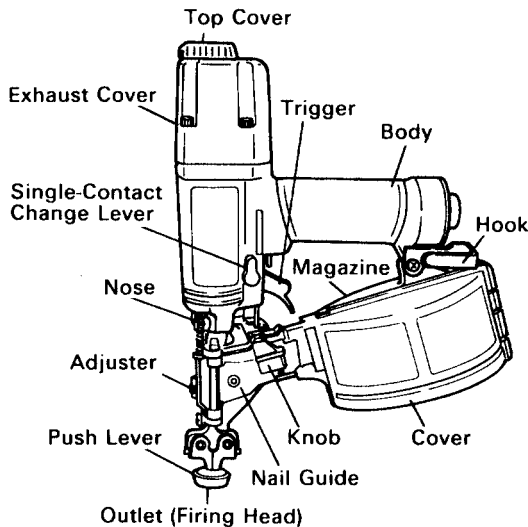


Fig. 1

SPECIFICATIONS

Type of power	Piston reciprocating
Air pressure (Gauge)	70~120 psi. (5~8.5kgf/cm ²)
Applicable nails	Refer to Fig. 4
Amount of loadable nails	200 nails
Size	243 mm (L) × 288 mm (H) × 125 mm (W) (9-9/16" × 11-11/32" × 4-15/16")
Weight	1.5 kg (3.3 lbs)
Nail-feeding method	Piston reciprocating
Hose (inside diam.)	6 mm (1/4")

NAIL SELECTION

Choose a suitable nail from Fig. 3. Nails not shown in Fig. 3 can not be driven with this Nailer. Nails are collated and coiled, as shown in Fig. 2.

You can buy these nails where you bought the Nailer.



Fig. 2

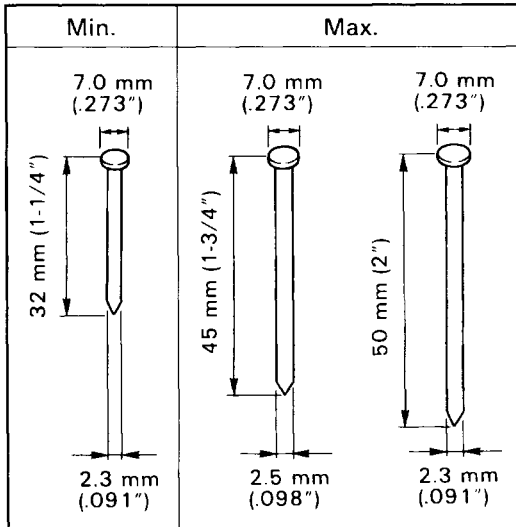


Fig. 3 Dimensions of nails

ACCESSORIES

⚠ WARNING: Accessories for this Nailer are shown below.
The use of any other attachment or accessory other than those shown below can be dangerous and could cause injury or mechanical damage.

STANDARD ACCESSORIES

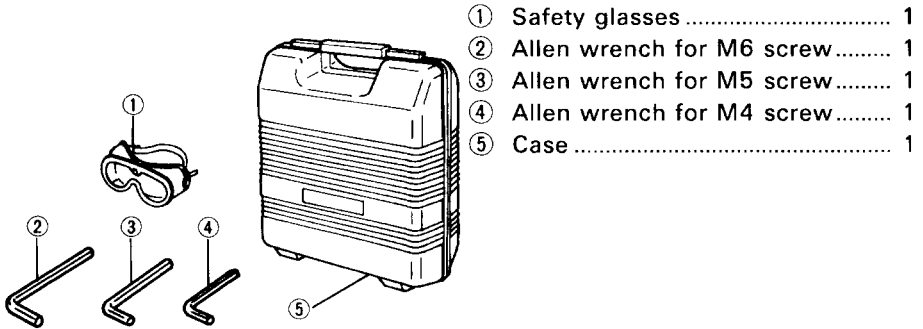


Fig. 4

NOTE:

Accessories are subject to change without any obligation on the part of the HITACHI.

APPLICATIONS

- Construction-retaining various types of internal materials.

PREPARATION PRIOR TO OPERATION

Prior to operating the Nailer, be sure to check the following items:

1. Prepare the hose

Be sure to use the hose provided with minimum 6mm (1/4") inside diameter.
Securely connect the hose to an air compressor with a hose band.

NOTE:

- The air supply hoses must have a minimum working pressure rating of 180 psi. (12.5 kgf/cm²).
- Before connecting the hose, force air through the hose to clean it out.

2. Discharge drain water from the air compressor
Since moisture or oil deposited in the air compressor may accelerate corrosion, prior to operating the Nailer, open the drain cock at the bottom of the air tank to discharge moisture and oil. Use the clean and dry compressed air. (For further details, refer to the air compressor Instruction manual.)
3. Prepare the nails
4. Check on safety

CAUTION

- Unauthorized persons (including children) must be kept away from the Nailer.
- Wear safety glasses.
- Check the retaining screws which fix the exhaust cover, etc. for tightness. Check the Nailer for air leaks and defective rusty parts.
- Check whether or not the push lever works correctly. Also check whether or not any dirt has adhered to the moving parts of the push lever.
- Recheck on operational safety.

BEFORE USE

 **WARNING:** Never place thinner, gasoline, or other flammable materials in the work site vicinity.

CAUTION

- To prevent unintentional operation, never touch the trigger or place the top end of the push lever on a work bench or floor.
- Never face the nail outlet toward any part of a person.

1. Check the air pressure

CAUTION

- The air pressure must be constantly maintained at 70~120 psi. (5~8.5 kgf/cm²).

Adjust the air pressure between 70 to 120 psi, (5~8.5 kgf/cm²) according to the diameters and length of nails and hardness of the wood being nailed.

Pay special attention to the output pressure, capacity, and piping on the air compressor, so that air pressure does not exceed the specified limit. Note that excessive pressure may affect deterioration of overall performance, service life, and safety.

2. Lubrication

- (1) Prior to operating this Nailer, be sure to provide an air set (see Page 22) between the air compressor and this Nailer. Lubrication through the air set offers smooth operation, extended service life, and anticorrosion. Adjust the oiler so that a single drop of oil is supplied at intervals of 5 to 10 nailing cycles.
- (2) When no oiler is provided, be sure to supply approximately 2cc of oil to the hose nozzle (air plug) at least twice a day – once prior to and once following operation. Prior lubrication will act as lubricant and final lubrication as anticorrosion oil.

NOTE:

- Since the oil supplied prior to operation will disperse in atomized form through the air exhaust outlet, drive two or three nails in a nearby unimportant spot before using in the intended location.
 - When lubricating after operation, drive once without nail to uniformly lubricate oil.
- (3) It is recommended to use oil (SHELL TONNA T32). Other applicable oils are listed on page 23. Never mix two or more types of different oils.

3. Connect the hose assembly (Fig. 5)

- ① Pull the outer ring of the air socket.
- ② Insert the air plug in the air socket.
- ③ Return the outer ring and connect the hose.

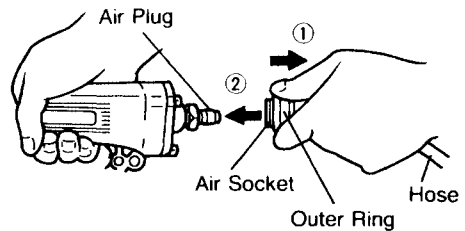


Fig. 5

4. Load nails

- (1) Open the nail guide and the cover. Place your finger on the nail guide and the knob. Push the knob downward and open the nail guide to the left (see Fig. 6).

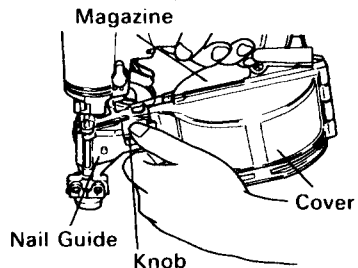


Fig. 6

(2) Insert nails in the magazine.

- Adjusting the nail holder.
Pull the nail holder out in your direction and insert in either the upper or lower groove. Insert in the upper side when using nails that are 32 mm (1-1/4") or 38 mm (1-1/2") in length. Insert in the lower side when using nails that are 45 mm (1-3/4") or 50 mm (2") in length (See Fig. 7).
- Insert the nails in the magazine (See Fig. 8).

⚠ CAUTION

Before inserting the nails in the magazine, be sure to adjust the nail holder to a position that is appropriate to the length of the nails you are using. Using the nailer set at the wrong position will cause problems with transfer of nails.

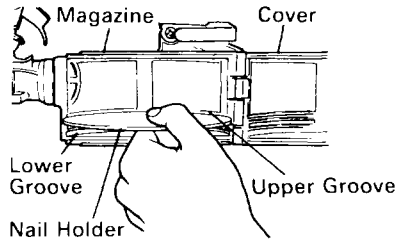


Fig. 7

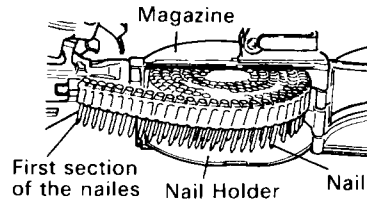


Fig. 8

(3) Loading the nails in the nail guide.

- Pull the first section of the nails from the magazine.
- While pressing the sheet to the guide surface, insert the first nail into the driving hole and the second nail between the pawl (a) and the pawl (b). Insert the nail so that the nails head and the upper side sheet engage the guide slot (Fig. 9).

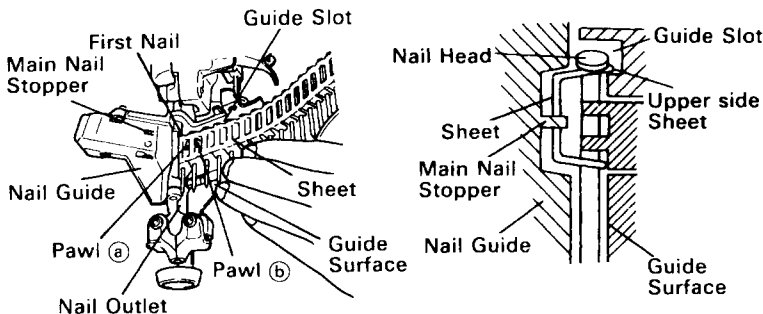


Fig. 9

- (4) Closing the cover and nail guide.
- Close the cover.
 - Place your finger on the nail guide and knob and push the knob downward. While pressing down the linked nails, completely close the nail guide (See Fig. 10). This completes loading of nails.

⚠ CAUTION

If the linking sheet or nails are not inserted in the designated position or if the nails are rising up from the guide surface, the nail guide may not close properly and the nails may not be transferred properly.

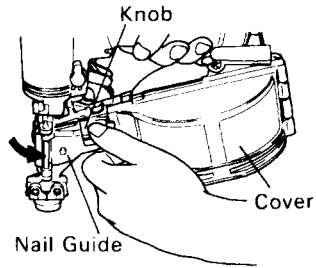


Fig. 10

HOW TO USE THE NAILER

⚠ WARNING:

- When driving nails, always wear safety glasses. The collating wire and/or mis-driven nails may sometimes pop out and this can be very dangerous.
- Keep hands and feet away from the firing head when using. It is very dangerous for a nail to hit the hands or feet by mistake.
- During operation, keep your face away from the Nailer. The Nailer is prone to violent rebounds making it extremely dangerous.
- Driving nails on both sides of wall at the same time is vary hazardous. It is possible that nails could come right through the wall causing a grave danger and possible injury.

⚠ CAUTION:

- Never use the head or body of this Nailer as a hammer.
- Take precautions to ensure the safety of persons in the vicinity during operation.
- When driving in nails, press the push lever firmly against the material to be nailed. If the outlet is not applied properly, the nails may ricochet.
- If a nail is driven into another nail, danger is possible from nails bending or nails flying about. Also, it may cause the next nail in the magazine to jam, so take precautions when this happens.

1. Nailing procedures

(1) Intermittent nailing (single shot)

Turn the single-contact change lever to the single shot position (Fig. 12). This nailer includes a single shot structure to allow striking of a single nail by pushing down the push lever and pulling the trigger (Fig. 11).

⚠ CAUTION:

- If you do not pull the trigger quickly and crisply while in the single shot mode, the nailer will bounce and shoot several nails instead of just one. To avoid this, be sure to pull the trigger quickly and crisply.

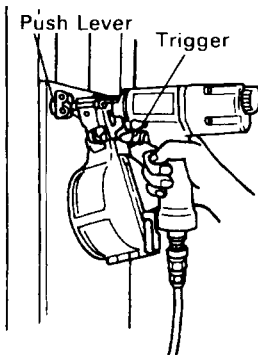


Fig. 11

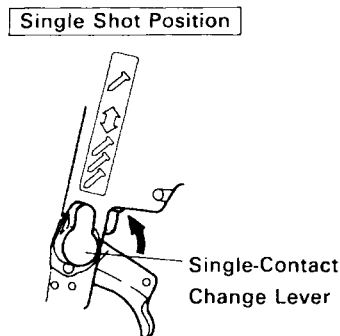


Fig. 12

(2) Push lever

When depressing the nail outlet, be sure to fully lift the push lever (see Fig. 11) to release the safety lock. Thus, nails cannot be driven without releasing the safety lock even though the trigger is pulled.

⚠ WARNING: Never touch or direct the nail outlet toward a person. Direct the nail outlet downward while supplying compressed air.

(3) Continuous nailing (contact drive)

Turn the single-contact change lever to the contact driving position (Fig. 14). With the trigger pulled back, press the nail outlet on the place to drive nails. Continuous nail driving will start (Fig. 13).

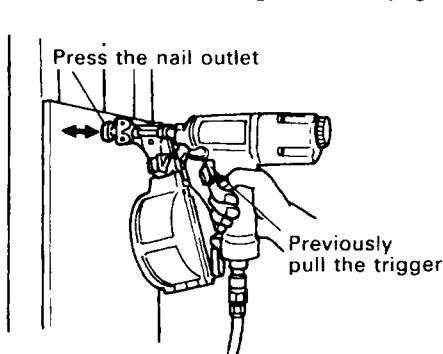


Fig. 13

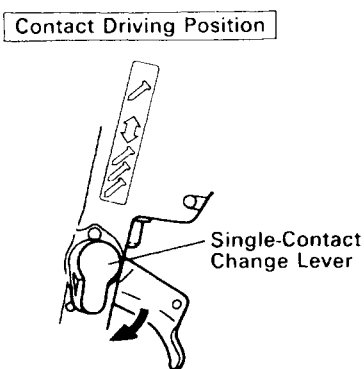


Fig. 14

⚠ WARNING:

- When continuous nailing, do not nail on corners of workpiece. It is very dangerous that a nail may break through the corner.

NOTE:

- As a good method for continuous nailing, start nailing from the position close to yourself and then gradually proceed in the direction away from you.

«Precautions on no-load operation»

Sometimes driving is continued after depletion of nails previously loaded in the magazine.

This is termed "no-load operation". Such operation may deteriorate the bumper, magazine, and nail feeder.

To avoid no-load operation, occasionally make sure the amount of remaining nails. On the other hand, all nails must be removed after using this Nailer.

⚠ CAUTION: After completing operation, always disconnect the hose and remove all nails.

NOTE:

- After completing operation, put about 2cc oil into the body through the hose joint to protect the Nailer from rust.
- Under low temperature conditions, the Nailer sometimes does not operate correctly. Always operate the Nailer at the appropriate ambient temperature.
- Upon completion of nailing, discharge air from the air compressor to reduce the air pressure to zero. When the drain cock is opened, drain water is discharged from the tank and simultaneously the air pressure can be reduced to zero.

2. Adjusting the nail-driving depth

⚠ WARNING:

- When making adjustments, be sure to remove your finger from the trigger.
- When making adjustments, be sure that the nail outlet is not facing downward and that body parts or other persons are not in the path of the nail outlet.
- Rotating the adjuster adjusts the nail-driving depth.

- ① Carry out test driving.
- ② If the nails are too deep, turn the adjuster to the shallow side (← mark).

If the nail depth is too shallow, turn the adjuster to the deep side (→ mark) (see Fig. 15, 16)

Depth is changed 0.5mm by turning the adjuster one click each.

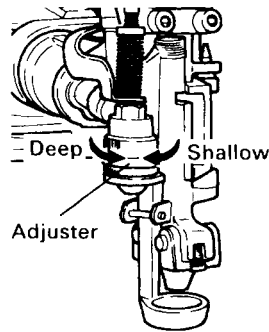


Fig. 15

NOTE:

- The nail-driving depth can also be adjusted by changing the air pressure used. Carry this out together with movement of the adjuster. Using a high air pressure that does not match the nail-driving resistance will shorten the life of this nailer.

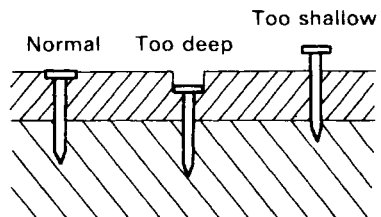


Fig. 16

3. Changing the exhaust direction
The direction of the exhaust vent can be changed by turning the top cover. (Fig. 17)

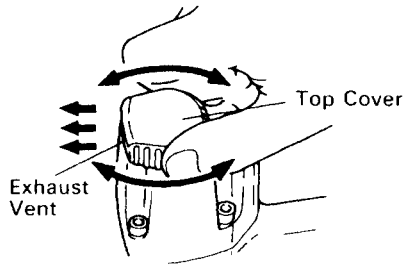


Fig. 17

4. Cutting off the sheet
Tear off the output sheet in the direction of the arrow when using the sheet collated nails.

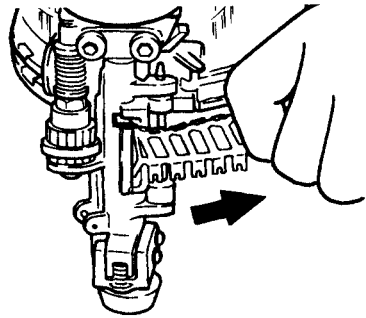


Fig. 18

5. Handling procedures for nail

NOTE: Always handle the nail package or nails carefully. If the nails are dropped, the steel wire will be deformed, resulting in mis-feeding and jamming.

MAINTENANCE AND INSPECTION

⚠ WARNING: Be sure to disconnect the hose during cleaning jams, inspection, maintenance and cleaning.

1. Countermeasure for nail jamming

- (1) Remove the nails from the magazine, open the nail guide, insert a rod into the nail outlet and tap the rod with a hammer. (Fig. 19)
- (2) Remove the jammed nail with a slotted screwdriver. (Fig. 20)
- (3) Cut the deformed collated wire with cutting nippers, correct the deformation, then load the nails in the magazine.
- (4) In case of frequent jam, consult the Authorized Service Agent form which you bought this Nailer.

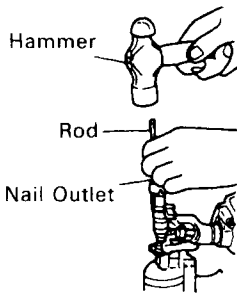


Fig. 19

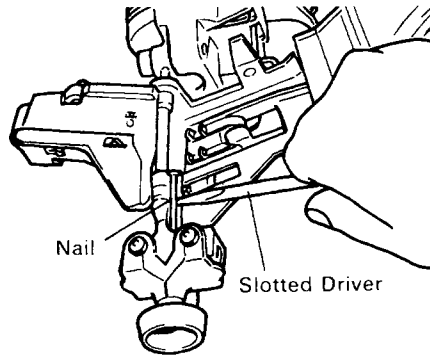


Fig. 20

2. Inspecting the mounting screws

Regularly inspect all mounting screws and ensure that they are properly tightened. Should any of the screws be loose, retighten them immediately.

⚠ WARNING: Using this Nailer with loosen screws is extremely dangerous.

3. Protection against dirt

- Remove dirt from the inlet port and interior of the hose.
- Use only clean oil to protect the air intake port and sliding part against clogging or damage.

4. Inspecting the feeders

- Occasionally clean the knob sliding part and then apply the recommended oil. (See Fig. 21.)

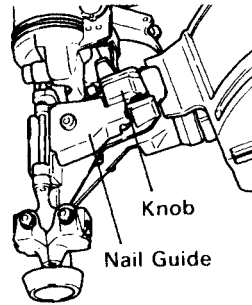


Fig. 21

- Open the nail guide and remove dust, etc., as shown in Fig. 22. Apply lubricant to the sliding groove of the feeder and feeder shaft. Check the sub nail stopper slide smoothly by pushing them with your finger.

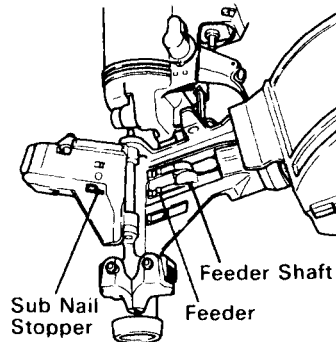


Fig. 22

- Also, apply the recommended oil to the feeding surface of the nose and nail guide after cleaning. This promotes smooth operation and retards corrosion.

⚠ WARNING: Check for smooth movement of the feeders and stoppers before use.

It movement is uneven, nails must be fired at an irregular angle, presenting a hazard to the operator and others nearby.

5. Inspecting the magazine

- Occasionally clean the magazine. Remove dust, etc. from the magazine interior.

6. Storing

- When the Nailer will not be used for an extended period, apply a thin coat of the recommended oil to the steel parts as an anticorrosion measure.
- Preferably store the Nailer in a relatively warm temperature to avoid shrinkage of the rubber components which would ultimately cause air leakage.
- When not in use, the Nailer must be placed out of the reach of children.

SELECTING A COMPRESSOR

Using the Air consumption table, select a correct compressor size.

Air consumption table

Air pressure	psi (kgf/cm ²)	80 (5.6)	90 (6.3)	100 (7)
Air consumption	ft ³ /cycle (ltr/cycle)	0.025 (0.71)	0.030 (0.86)	0.035 (1)

CAUTION:

- When the maximum operating pressure of the air compressor exceeds 120 psi. (8.5 kgf/cm²), be sure to provide a reducing valve between the air compressor and Nailer. Then, adjust the air pressure within the operating range of 70 ~ 120 psi. (5 ~ 8.5 kgf/cm²).
- Air compressors supplying compressed air to this nailer must comply with the requirements of the latest version of American National Standards Institute (ANSI) Standard B19.3 Safety Standard for Compressors for Process Industries.

OILER – FILTER REDUCING VALVE (Air Set)

Oiler, filter and reducing valve provide an optimum condition for the Nailer and extend the durability of Nailer.

Limit the length of the hose between the Nailer and the air set to within 10 m when using.

Oiler Automatically supplies the proper amount of clean lubricant.

It is recommended to use SHELL Tonna Oil T32 (for sliding surface).

Shown below are other types of useable oils.

Adjust the oiler so that a drop of oil is supplied per 5 to 10 nails.

Filter Used to remove moisture and dust mixed in compressed air.

Reducing valve Used to adjust the pressure of compressed air to a fixed pressure, as necessary.

APPLICABLE LUBRICANTS

Type of lubricant	Name of lubricant
Recommended oil	SHELL TONNA T32
Motor oil	SAE10W, SAE20W
Turbine oil	ISO VG32 ~ 68 (#90 ~ #180)

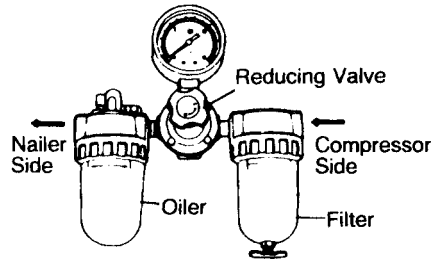


Fig. 23

SERVICE AND REPAIRS

All quality Nailers will eventually require servicing or replacement of parts because of wear from normal use. To assure that only authorized replacement parts will be used, all service and repairs must be performed by a HITACHI AUTHORIZED SERVICE CENTER, ONLY.

NOTE: Specifications are subject to change without any obligation on the part of the HITACHI.

Hitachi Koki Co.,Ltd.

Nippon Bldg., 6-2, Ohtemachi 2-chome,
Chiyoda-Ku, Tokyo 100, Japan

311
Code No. C99051161 N
Printed in Japan