

Grindmaster Corporation 800 Series Coffee Grinders

Operation and Instruction Manual

for

Models 810, 835, 875 and 890

Table of Contents

Installation	2
Operating Instructions	2-3
Grind Adjustment	3
Shear Disc Replacement.....	4
Cleaning Instructions	4
Lubrication	4
Troubleshooting Guide	5
Exploded View	6-7
Wiring Diagrams	8



Model 890

Prior authorization must be obtained from Grindmaster Corporation for all warranty claims.



GRINDMASTER™
CORPORATION

Grindmaster Corporation

4003 Collins Lane
Louisville, Kentucky 40245 USA
(800) 695-4500 (USA & Canada only)
(502) 425-4776
FAX: (502) 425-4664
www.grindmaster.com

Installation Instructions

1. Please read this manual before operating the grinder.
2. Carefully remove grinder from carton.
3. Place grinder in position on shelf, counter or other flat surface.
4. Plug grinder into standard electric outlet. Avoid using an extension cord.
5. Grind a small amount of whole bean coffee following operating instructions as described in this manual.
6. If there is any problem, consult the *Troubleshooting Guide* in this manual, (also on back of grinder.)
7. If you still cannot correct a problem, call Grindmaster's Service Department for help, (800) 568-5715 M-F 8 AM - 6 PM EST.

Operating Instructions

Your new coffee grinder is easy to operate and maintain. Before you place it in service, please have all personnel familiarize themselves with these instructions; then see that this manual is kept in a convenient place where it will always be available for ready reference.

How to Operate

1. Turn the selector knob to the desired grind setting.
2. Fill the hopper with the desired type and amount of whole bean coffee. Close the lid.
3. Place the bag underneath the spout.
4. Press the start button. *810 model - Press the grinder switch to the ON position.
5. The grinder will automatically stop when the bag is removed.**
* 810 model - Once coffee is ground, press the grinder switch to the OFF position or grinder will continuously run.
** On models 835 and 875 the STOP button may be pressed after the grinder has completed grinding.
6. Remove bag from coffee spout once coffee is ground.

Grinds

Before shipment, your grinder is adjusted to accurately grind for each brewing method indicated. The Grinding Burrs are made of an extremely hard and wear resistant alloy. From time to time grind adjustments (see Grind Adjustment section in this manual) may be necessary as the burrs wear. If the grind runs coarser than expected after normal adjustment and the grind time has increased, the burrs may have excess wear and should be replaced. The burrs are warranted for (3) years or 30,000 pounds of coffee. Ask for a copy of our complete Warranty for details. New burrs should always be installed as a pair, never one or the other, as they are accurately ground and lapped in pairs.

Circuit Breaker

This grinder is equipped with a circuit breaker to protect the motor from overloading. When the circuit breaker operates, the reset button will pop out approximately 1/4" which then cuts off power to the grinder. The reset button is located on the front panel of the Model 810, 835 and 875. To reset the circuit breaker, push in the reset button. You will hear a click as it resets. If the grinder does not operate after resetting the circuit breaker, there may be an obstruction in the grinding mechanism that is stalling the motor. Turn the grind selector knob all the way to the left. Try restarting the grinder. If the circuit breaker "trips" again, the obstruction was not able to pass. In this case, the Grinder Head should be cleaned out as described in the Shear Disc Replacement section of this manual.

Current

It is essential that full voltage and amperage always be available as it takes full power to grind coffee. **NEVER** connect to an overloaded line or a two or three way plug, otherwise serious damage to the motor will occur. **DO NOT USE AN EXTENSION CORD.**

Protection

The grinder is equipped with both a circuit breaker and a shear disc release to protect the motor and burrs if a foreign object, such as a nail or rock, gets into the the coffee.

Grind Adjustment

Tools required: Large blade and medium Phillips head screwdrivers

In order to adjust the grind, follow these steps (Refer to figure A):

1. Remove all coffee from the hopper.
2. Set selector knob to the finest setting (Espresso or Turkish) depending on the model.
3. Loosen both knob retainer screws in selector knob one turn only.
4. While pressing the bag switch, located behind the spout, press the START button so that the grinder will run during adjustment.

810 model - Press the ON or START button so that the grinder will run during adjustment.

5. With the grinder still running, turn the adjusting screw in the center of the selector knob slowly to the right until a slight clicking noise is heard. Immediately turn the adjusting screw to the left one grind setting. This is the finest grind obtainable.
6. Tighten both of the knob retainer screws. Once the ESPRESSO grind has been set (Turkish for Model 835, 875, 890), the other grind settings will automatically set correctly.
7. Press the STOP or OFF button.

IMPORTANT: Always be sure the grinding burrs are not touching while the machine is running on the ESPRESSO/TURKISH setting. Otherwise serious damage to the motor may result.

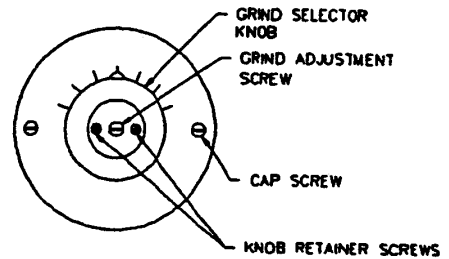


Figure A

Shear Disc Replacement

If the motor should run and no coffee is dispensed, the shear disc release may have operated. Should this occur, perform the following operations in the sequence given (Refer to Figure B on page 4).

Note: See appropriate Exploded View for part numbers.

Tools Required: Flat Blade Screwdriver and Pliers

1. Unplug machine.
2. Remove all of the coffee beans from the hopper.
3. Remove the Grind Cap by taking out the 2 Cap Screws.
4. Pull out the Revolving Burr and Feedworm Assembly. Clean out the Grind Head, removing all coffee particles from inside the Grind Head and the Grind Cap so that it can be reset properly.
5. Check that no obstruction has been caught on the surface of the teeth of either burr. Remove the Shear Cap and broken pieces of the Shear Disc. You are now ready to reassemble the grinder mechanism.
6. Slide the Revolving Burr and Feedworm Assembly onto the Drive Shaft. Insert the shear drive so that the Motor Shaft tongue engages into the shear drive notch.
7. Insert a new Shear Disc by aligning the slot in the Shear Drive with the slot in the hub of the feedworm.
8. Replace the Shear Cap and Grind Cap. Make certain that the Grind Cap is screwed on tight and is seated properly, not cocked, against the head. Without a proper seat, a proper grind cannot be obtained.
9. Your grinder is now ready to grind.

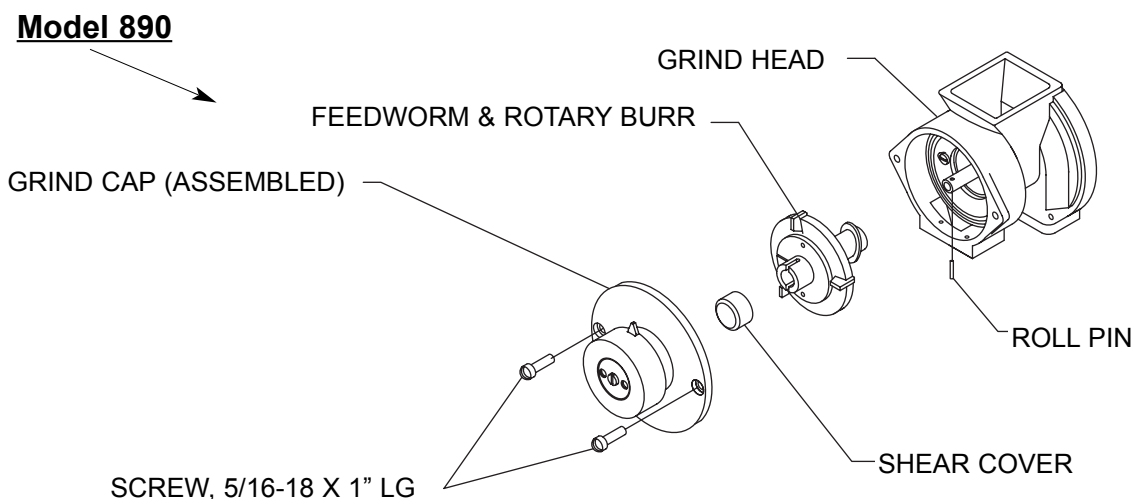
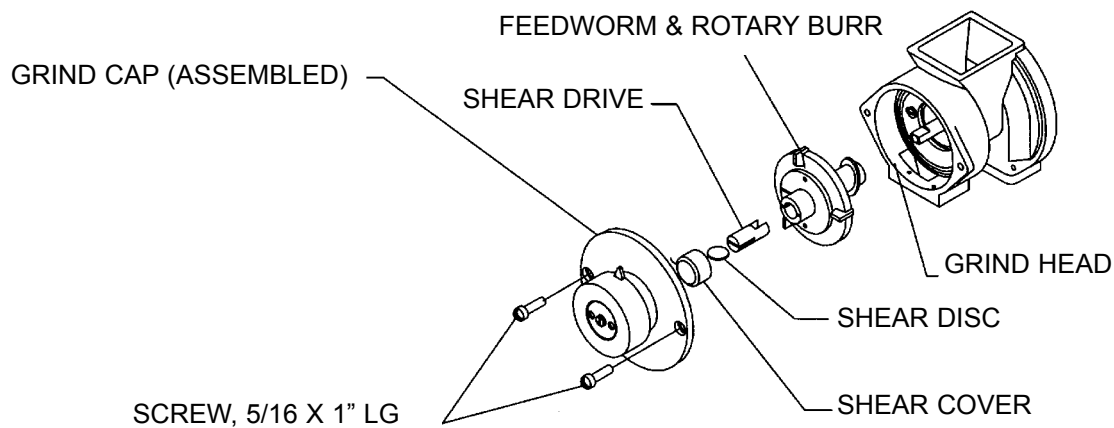


Figure B

Cleaning Instructions

The outside of machine can be cleaned with a damp cloth or common household polishing wax. See Shear Disc Replacement section in this manual for instructions on assembling and disassembling the grinder parts. All parts that are in contact with food must be washed with warm soapy water, rinsed, sanitized and air-dried. **Note:** The person cleaning the parts should do so with clean hands. Before reassembling, wipe the motor shaft with 2 or 3 drops of common household cooking oil in the area of the feedworm engagement to make the assembly easier.

Lubrication

All bearings have been oiled for life. No further oiling is necessary.

Troubleshooting Guide

The following procedures must be performed by a qualified service technician.

PROBLEM	POSSIBLE CAUSE	SOLUTION
Grinder will not start when START button is pushed.	<ul style="list-style-type: none"> • Bag not under spout. • Plug not in outlet properly. • No power to outlet. • Circuit breaker has tripped 	<ul style="list-style-type: none"> • Place bag underneath spout. • Install plug in outlet. • Check outlet with lamp or radio to verify outlet has power. • Reset circuit breaker by pushing in reset button until you hear a click.
Grinder runs or hums but no coffee is dispensed.	<ul style="list-style-type: none"> • Shear disc is broken. • Obstruction in opening to grinding chamber. 	<ul style="list-style-type: none"> • Replace shear disc. See Shear Disc Replacement section or instructions on back of grinder. • Unplug Unit. Empty beans out of hopper and clear obstruction. See Shear Disc Replacement section for disassembly and assembly instructions.
Excessive amount of chaff flying about.	<ul style="list-style-type: none"> • Defective chaff mixer spring. • Outlet not properly grounded. • Static electricity. 	<ul style="list-style-type: none"> • If bent, broken, or missing, replace spring. • If stuck open with coffee, clean out coffee to free spring. • Check power cord end and outlet for proper ground. • Tighten all nuts, bolts and screws and verify wall outlet is grounded.
Circuit breaker continuously trips.	<ul style="list-style-type: none"> • Insufficient current due to use of extension cord. • Insufficient current due to overloaded line. • Grind setting needs adjustment. 	<ul style="list-style-type: none"> • Plug unit directly into outlet. Do not use extension cord. • Designate single line for grinder. Do not use multi-outlet box. • Adjust grind to coarser setting. See Grind Adjustment section.

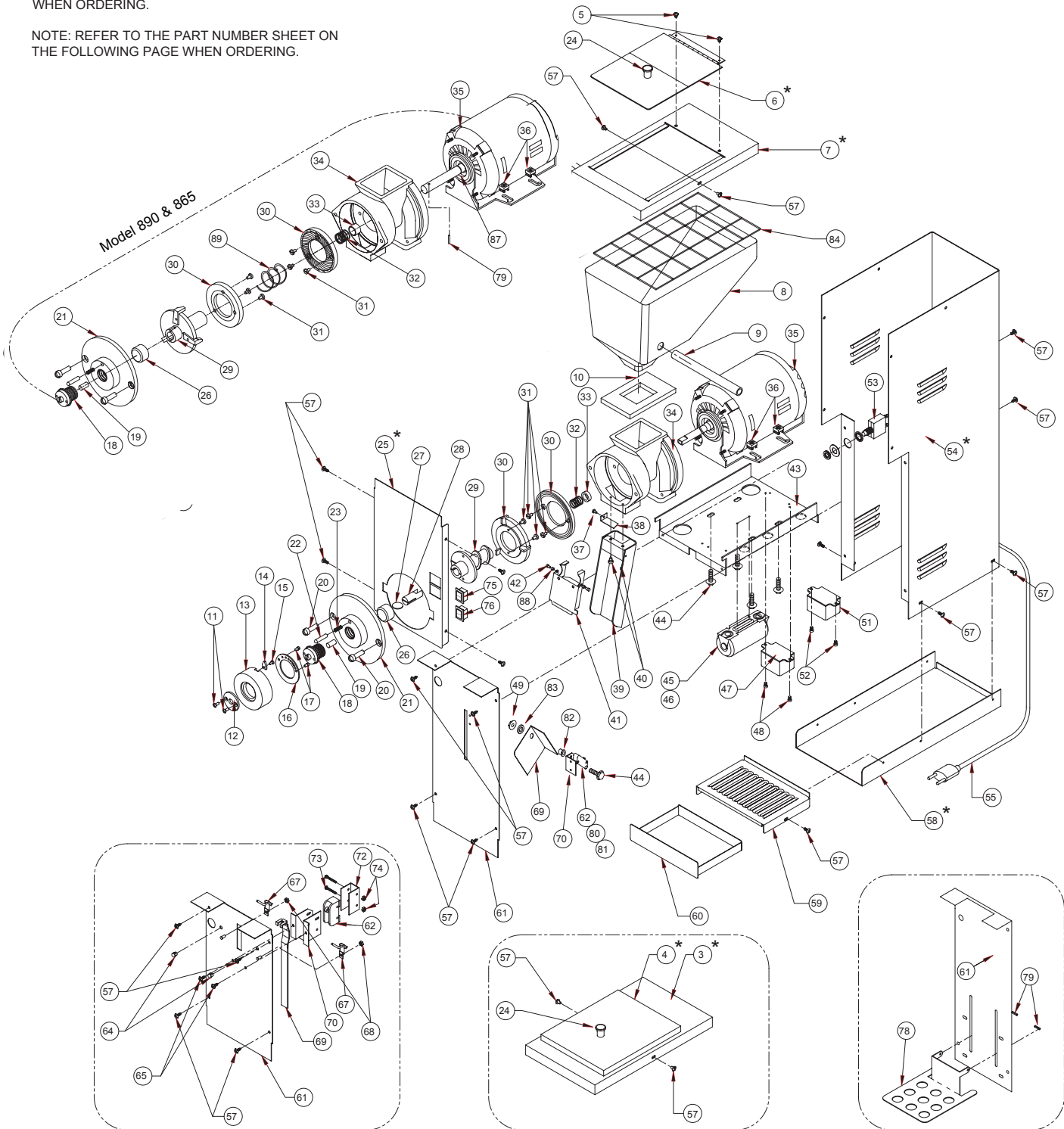
If you still need help, call our Service Department, at (800) 695-4500 (USA & Canada only) or (502) 425-4776 (Monday through Friday 8am-6pm EST) or an authorized service center in your area. Please have the model and serial number ready so that accurate information can be given.

Prior authorization must be obtained from Grindmaster Corporation's Technical Services Department for all warranty claims.

800 Series Exploded View

PART NUMBERS INDICATED BY AN ASTERISK (*) ARE PAINTED COMPONENTS AND COLOR MUST BE SPECIFIED WHEN ORDERING.

NOTE: REFER TO THE PART NUMBER SHEET ON THE FOLLOWING PAGE WHEN ORDERING.



835 SERIES BAG SWITCH
KIT NO: 83726K

800 SERIES SANITATION TOP AND LID
KIT NO: 83426K *

810 TALL LOWER FRONT
KIT NO: 83299K

Item #	Description	Grocery Grinder Part Numbers for the Following Models Below									
		810	810A	810 TALL	835	835 BRASS	870	875	875 BRASS	890	865
2	Washer, #8 internal tooth	86822 - all models									
3	Top, 800 series sanitation	83451RK and 83451BK - all models									
4	Lid, 800 series sanitation	83450RK and 83450BK - all models									
5	Screw, #8 x 1/4 ph truss hd	86875 - all models									
6	Lid, bifold hinge	88704RK and 88704BK - all models									
7	Top, bifold lid	83308*			83382RK & BK		83308*		83382RK & BK		83308*
8	Hopper	83356						88280		83356	
9	Finger Guard	83324 - all models									
10	Gasket, Hopper	88211 - all models									
11	Screw, #8-32, x 3/8" slotted ov	86914 - all models									
12	Plate, knob retainer	82024 - all models									
13	Knob, grind select	82022 - all models									
14	Pointer, knob	88027 - all models									
15	Screw, #6-32 x 1/4"	86866 - all models									
16	Plate, detent	83361			82025						
17	Screw, #8-32 x 1/4"	86224 - all models									
18	Screw, grind adjust	82023K									
19	Bearing, grind adjust	86110 - all models									
20	Screw, 5/16-18 x 1" lg.	86887 - all models									
21	Grind cap	82021									
22	Plunger, detent	83318 - all models									
23	Spring, detent	83443 - all models									
24	Knob, lid	86223 - all models									
25	Front panel	83316*	83301*	83316*	83301*	83383	83363*	83363*	83381	83363*	83301B
26	Cover, shear	86355 - all models									
27	Disc, shear	86123									
28	Drive, shear	86154									
29	Feedworm	85188									
30	Burr set	85281WK									
31	Screw, #10-32 x 5/16"	86812 - all models									
32	Tension spring	86118									
33	Thrust collar	86304									
34	Grind head	84171S			84172						
35	Motor, 1/2hp 115VAC 60 Hz	86419									
36	Nut, 1/4-20 cage	86864 - all models									
37	Screw, chaff spring	07009-02			86806						
38	Chaff spring	84154			82026						
39	Spout	88033			83734			82019			
40	Screw, #8-32 x 3/8" lg	86807 - all models									
41	Spout flap	83230									
42	Screw, spout flap	86993									
43	Motor shelf	83334 - all models									
44	Bolt, 1/4-20 x 1	86872 - all models									
45	Capacitor, 115 VAC 60 Hz	86144 - all models									
46	Screw, 8-32 x 3/8"	86874 - all models									
47	Relay, 115 VAC	85303									
48	Screw, 8-32 x 1/4"	07046-02 - all models									
49	Timer, 115VAC 90 sec.	86449									
50	Screw, #8-32 x 1 1/4 lg	86791									
53	Circuit breaker, 10 amp for 115vac	86618 - all models									
54	Casing, grocery	83332*		70553*	83332*	83387	83731*	83362*	83374K	83362*	70553
55	Power cord, standard 115vac	86222 - all models									
56	Strain relief, standard cord	86071 - all models									
57	Screw, #10 x 1/2"	82030 - all models									
58	Base*	83302*			83321	83384	82053*	83321*	83384	83321*	83321*
59	Tidy tray cover				83322			83322			
60	Tidy tray drawer				83323			83323			
61	Lower front	83305*	83299		83726			82054K			
62	Switch, micro				85321			88711			
64	Hole plug				83737						
65	Screw, #8 x 3/8"				86930						
66	Washer, #10	86826 - all models									
67	Hook, bag				83722						
68	Nut, 8-32 locking				86810						
69	Bag actuator				83725						
70	Bracket, switch				85322						
72	Insulator, switch				85323						
73	Screw, 6-32 x 1				86805						
74	Nut, 6-32 hex				86827						
75	Switch, start	70449	70445	70449	70445			88056		70445	
76	Switch, stop	83327					83327			88057	
78	Platform, bag				85252						
79	Pin, roll				86832			W0611546			
80	Screw, 4-40 x 5/8" sl bd hd	86928									
81	Nut, 4-40 hex	86929									
82	Clip, casing hook	82056									
83	Bracket, counter hook	82055									
84	Harness, wiring 120 vac	83341	83333	83341				82029			
86	Harness, bag switch				83735			83738			
87	Ring, snap							86429		86429	
88	Washer				82039			82039			
89	Feedworm spring	86432									

Wiring Diagrams for 120 Volt 60Hz Units

