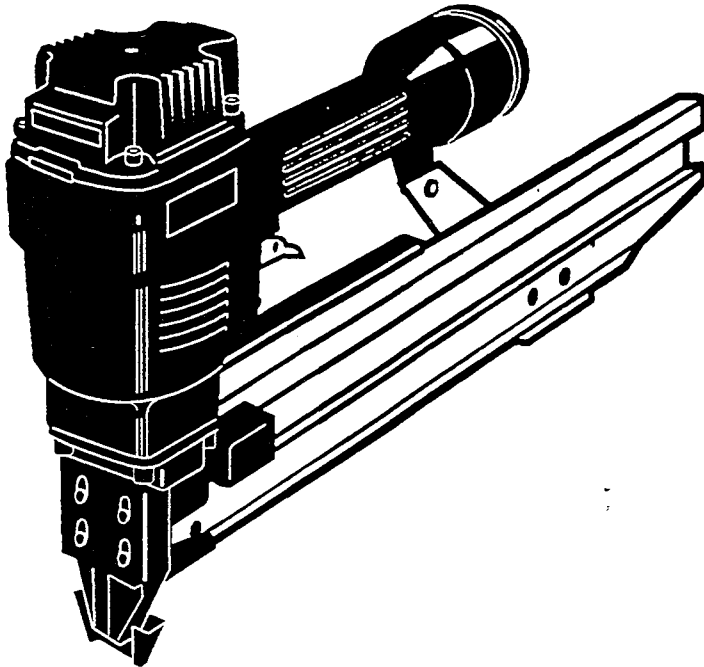




**English**

# Operation and Maintenance Manual for 1/2" Crown Sheathing Stapler Model SM506D

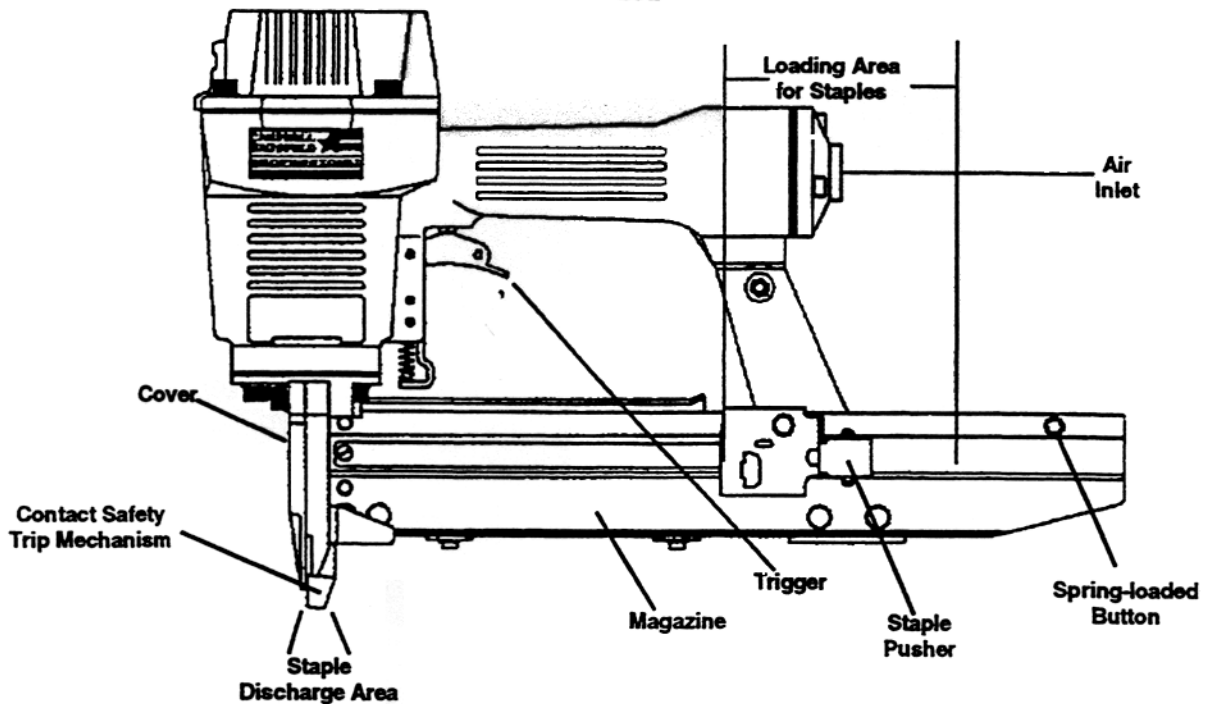


<p>Record in the space below the Model Number and Serial Number of Stapler.</p> <p>Model No. _____</p> <p>Serial No. _____</p> <p style="text-align: center;"><b>RETAIN THESE NUMBERS FOR FUTURE REFERENCE!</b></p>
---



Should you have any questions regarding the operation or repair of this stapler, please call our Stapler Hotline at 1-800-543-6400. If you are calling from Ohio or outside the continental United States, please call collect, 1-513-367-1182

**CAREFULLY READ (AND SAVE) THESE INSTRUCTIONS  
BEFORE OPERATING STAPLER**



## Stapler Specifications

- REQUIRES: 3.2 SCFM with 16 staples per minute @ 90 PSI
- AIR INLET: 1/4" NPT
- STAPLE SIZE RANGE: 5/8" to 2"
- MAGAZINE CAPACITY: 150 staples per load
- WIRE SIZE: 16-gauge
- WEIGHT: 6 lb-7 oz.
- LENGTH: 15"
- HEIGHT: 10.5"
- MAXIMUM PRESSURE: 110 PSI
- PRESSURE RANGE: 70 - 110 PSI

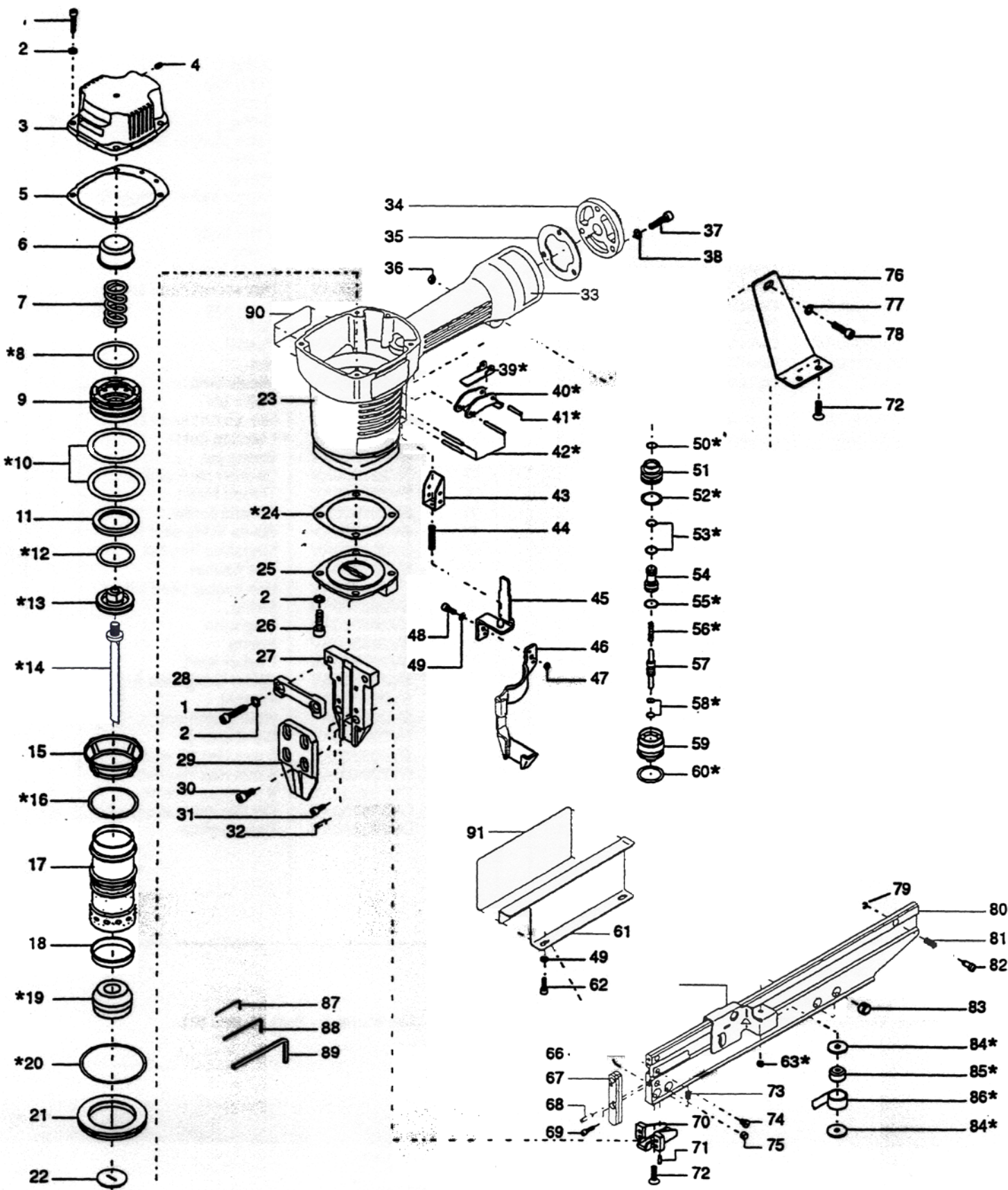
- ⚠ DANGER:** Indicates an **imminently** hazardous situation which, if not avoided, **will** result in death or serious injury.
- ⚠ WARNING:** Indicates an **potentially** hazardous situation which, if not avoided, **will** result in death or serious injury.
- ⚠ CAUTION:** Indicates a **potentially** hazardous situation which, if not avoided, **may** result in minor or moderate injury. This symbol may also alert the user to unsafe practices.
- ⚠ NOTE:** Alerts the operator to useful information.

The **operator** of this Stapler **must** take the necessary precautions to prevent the level of danger indicated by these symbols. The operator is also required to read and understand this instruction manual and all safety warnings, labels, etc.

Any **employer** allowing the use of this Stapler in their field of work **must** distribute this instruction manual to all users. The employer must also ensure all users read, understand and follow the instructions as described in the manual, safety warnings, labels, etc.

Campbell Hausfeld Nailers and Staplers meet or exceed Industries' Standards as set forth by the American National Standard/International Staple, Nail and Tool Association in ANSI/SANTA SNT-101-1983 and SNT-101a-1987.

235  
Sheathing Stapler Model SM506D - Exploded View



# 1/2" Crown Sheathing Stapler Model SM506D - Parts List

Key No.	Part No.	Description	Qty.
1	SV290400AV	Hex Socket Cap Screw	6
2	SV290500AV	Spring Washer	10
3	SV290600AV	Cap	1
4	SV290700AV	Hexsocket head set screw	1
5	SV290800AV	Cylinder cap seal	1
6	SV290900AV	Seal	1
7	SV291000AV	Spring	1
8	*	O-ring	1
9	SV291200AV	Hd. valve piston	1
10	*	O-ring	2
11	SV291400AV	Collar	1
12	*	O-ring	1
13	*	Driver blade piston	1
14	*	Driver blade	1
15	SV291800AV	Collar	1
16	*	O-ring	1
17	SV292000AV	Cylinder	1
18	SV292100AV	Check seal	1
19	*	Bumper	1
20	*	O-ring	1
21	SV292400AV	Cylinder spacer	1
22	SV292500AV	Driver blade guide	1
23	SV292600AV	Body	1
24	*	Gasket	1
25	SV292800AV	Guide mount plate	1
26	SV292900AV	Hex socket head cap screw	4
27	SV293000AV	Driver guide plate	1
28	SV293100AV	Driver guide cover B	1
29	SV293200AV	Drive guide cover A	1
30	SV293300AV	Hex socket head screw	4
31	SV293400AV	Hex socket head screw	2
32	SV293500AV	Spring pin	2
33	DK318600AV	Oil daily warning decal	1
34	SV293600AV	End cap	1
35	SV293700AV	Gasket	1
36	SV293800AV	Locknut	1
37	SV293900AV	Hex socket head screw	3
38	SV294000AV	Spring washer	3
39	SV294100AV	Trigger lever	1
40	SV294200AV	Trigger	1
41	SV294300AV	Spring pin (trigger)	1
42	SV294400AV	Spring pin	3
43	SV294500AV	Safety guide	1
44	SV294600AV	Spring	1
45	SV294700AV	Safety unit B	1
46	SV294800AV	Safety unit A	1
47	SV294900AV	Locknut	1
48	SV295000AV	Hex socket head screw	1

Key No.	Part No.	Description	Qty.
49	SV295100AV	Flat washer	3
50	*	O-ring	1
51	SV295300AV	Valve cap	1
52	*	O-ring	1
53	*	O-ring	2
54	SV295600AV	Valve plunger A	1
55	*	O-ring	1
56	*	Spring	1
57	SV295900AV	Trigger valve Plunger B	1
58	*	O-ring	2
59	SV296100AV	Valve body	1
60	*	O-ring	1
61	SV296300AV	Guide bracket	1
62	SV296400AV	Hex socket head screw	2
63	SV296500AV	Shaft ring	2
64	SV296600AV	Roll pin	1
65	SV296700AV	Pusher	1
66	SV296800AV	Nut	1
67	SV296900AV	Middle strip	1
68	SV297000AV	Roller pin	2
69	SV297100AV	Hex socket head screw	2
70	SV297200AV	Locating guide	1
71	SV297300AV	Spring pin	2
72	SV297400AV	Counter sunk screw	4
73	SV297500AV	Thread insert	2
74	SV297600AV	Special screw	1
75	SV297700AV	Screw fixing seat B	2
76	SV297800AV	Magazine bracket	1
77	SV297900AV	Flat washer	1
78	SV298000AV	Hex socket head screw	1
79	SV298100AV	E-ring	1
80	SV298200AV	Magazine	1
81	SV298300AV	Spring	1
82	SV298400AV	Pusher latch	1
83	SV298500AV	Screw fixing seat A	1
84	SV298600AV	Washer	2
85	SV298700AV	Rolling element	1
86	SV298800AV	Band spring	1
87	SV109300AV	3 mm Hex Wrench	1
88	SV109400AV	4 mm Hex Wrench	1
89	SV109500AV	5 mm Hex Wrench	1
90	DK376300AV	CH Pro decal w/color bar	2
91	DK376400AV	Danger plate	1

\* Available as kits or assemblies only. See page 21.

Note: All screws, nuts, bolts, etc. are metric.

O-Rings, Springs, Bumpers and Driver are considered normal wear items - (See Warranty - Page 24, item 6E).

# 1/2" Crown Sheathing Stapler Model SM506D

## Parts Kits & Assemblies

### Parts Kits

Includes Key Nos.	Description	Part No.	Qty.
-	* <b>Piston/Cylinder O-Ring Kit</b>	SV290000AV	-
8	O-ring		1
10	O-ring		2
12	O-ring		1
16	O-ring		1
18	Check seal		1
20	O-ring		1
-	* <b>Trigger O-Ring Kit</b>	SV290100AV	-
50	O-ring		1
52	O-ring		1
53	O-ring		2
55	O-ring		1
56	Spring		1
58	O-ring		2
60	O-ring		1
-	<b>Driver Kit</b>	NP506D99AV	-
12	O-ring		1
13	Driver blade piston		1
14	Driver blade		1
-	<b>Bumper Kit</b>	NP506D97AV	-
19	Bumper		1
24	Gasket		1

### Assemblies

Includes Key Nos.	Description	Part No.	Qty.
-	<b>Trigger Assembly</b>	SV290200AV	-
39	Trigger lever		1
40	Trigger		1
41	Spring Pin		1
42	Spring Pin		3
-	<b>Pusher Set Assembly</b>	SV290300AV	-
63	Shaft ring		2
64	Roll pin		1
65	Pusher		1
84	Washer		2
85	Rolling element		1
86	Band spring		1

\* Complete O-Ring Kit NP506D98AV Consists of:

Piston/Cylinder O-Ring Kit SV290000AV  
 Trigger O-Ring Kit SV290100AV

# Fasteners

The following Campbell Hausfeld framing staples are available at local retail stores. If you need help locating any item, call customer service at 1-800-543-6400. Campbell Hausfeld staples meet or exceed Federal Specifications FF-N-105B.

Model #	Length	Shank Gauge	Crown Size	Finish	Head	Collation	Staples per Stick	Staples per Box
FM306D00 (FM003060)*	1 1/4"	16-gauge	1/2"	Galvanized/ Coated	-	Adhesive	50	2500
FM406D00 (FM004060)*	1 1/2"	16-gauge	1/2"	Galvanized/ Coated	-	Adhesive	50	2500
FM456D00 (FM004560)*	1 3/4"	16-gauge	1/2"	Galvanized/ Coated	-	Adhesive	50	2500
FM506D00 (FM005060)*	2"	16-gauge	1/2"	Galvanized/ Coated	-	Adhesive	50	2500

\* Campbell Hausfeld has recently changed model numbers for the 1/2" crown sheathing staples. The numbers in parenthesis are old numbers. However, the specifications and prices of the staples remain the same for both model numbers.

## Interchange Information

Staples used in the Campbell Hausfeld SM506D Sheathing Stapler will also work in: Bostitch: T36-1 T36-50 T40S4-CT T50S4-1 T55S4-1 Paslode: 3150-S16 3200-S16P

## COLORMATCH™ system

Your Campbell Hausfeld 1/2" Crown Sheathing Stapler has a unique purple COLORMATCH™ stripe. Look for the same purple COLORMATCH™ stripe on Campbell Hausfeld staple boxes. Simply match the two color stripes to choose the right staples for your stapler.

## Stapler Repair

Repairs on the stapler **must** be performed by qualified and experienced service people **ONLY**.

## Replacement Parts

### WARNING

Use only genuine Campbell Hausfeld replacement parts. Never substitute parts. Do not use modified parts or parts which will not give equivalent performance to the original equipment. When ordering replacement parts, specify by part number.

## Assembly Procedure for Seals

When repairing a stapler, the internal parts must be cleaned and lubricated. Parker O-lube or equivalent must be used on all O-rings. Each O-ring must be coated with O-lube before assembling. A small amount of oil must be used on all moving surfaces and pivots. After reassembling, a few drops of Unocal RX22 oil or equivalent, must be added through the air line before testing.

# Troubleshooting Guide



## WARNING

Stop using the stapler immediately if any of the following problems occur. Serious personal injury could occur.

Any repairs or replacements must be done by a Qualified Service Person or an Authorized Service Center ONLY.

PROBLEM	CAUSE	SOLUTION
Air leaking at trigger valve area.	O-Rings in trigger valve housing are damaged	O-Rings must be replaced & operation of contact safety trip mechanism must be checked
Air leaking between housing and nose.	Loose screws in housing. Damaged O-Rings Damage to bumper.	Screws need to be tightened. O-Rings must be replaced Bumper needs to be replaced.
Air leaking between housing and cap.	Loose screws. Damaged gasket.	Screws need to be tightened. Gasket needs to be replaced.
Stapler skips driving staple.	Worn bumper. Dirt in nose piece Dirt or damage prevent staples or pusher from moving freely in magazine. Damaged pusher spring. Inadequate air flow to stapler. Worn O-Ring on piston or lack of lubrication. Damaged O-Ring on trigger valve. Air leaks Cap gasket leaking	Bumper needs to be replaced. Drive channel needs to be cleaned Magazine needs to be cleaned Spring needs to be replaced Fitting, hose or compressor needs to be checked O-Rings need to be replaced. Lubricate. O-Rings need to be replaced. Screws and fittings need to be tightened Gasket needs to be replaced.
Stapler runs slow or has loss of power	Stapler not lubricated sufficiently. Broken spring in cylinder cap. Exhaust port in cap is blocked.	Stapler needs to be lubricated. Spring needs to be replaced Damaged internal parts need to be replaced.
Staples are jammed in stapler.	Guide on driver is worn Staples are not correct size. Staples are bent. Magazine or nose screws are loose Driver is damaged.	Guide needs to be replaced Staples recommended for stapler must be used Replace with undamaged staples. Screws need to be tightened Driver needs to be replaced
Air leaking at trigger valve stem	O-Rings or seals are damaged	O-Rings or seals need to be replaced.