

Tiger XL Cool Froth™ Espresso Machine



Model Tiger XL Cool Froth with milk drawer

Dimensions: 25.5"H x 15.8"W x 18.1"D
(64.8 cm H x 40.1 cm W x 45.9 cm D)



Model Tiger XL Cool Froth with external milk (EXT)

Dimensions: 19.3"H x 15.8"W x 18.1"D
(49 cm H x 40.1 cm W x 45.9 cm D)

Features

BUNN Espresso® Tiger XL Cool Froth Series

- Up to 180 shots per hour from less than 16" of counter space.
- Your choice of four drink selections: espresso, cappuccino, latte and iced latte.
- Intelligent modular brewing chamber adjusts espresso.
- Simulates Barista tamping and polishing motion to provide uniform extraction.
- Two-grinder model for two varieties of espresso beans.
- Hoppers hold 1.75 lbs of fresh beans.
- Adjusts for 4.5 to 7.4 inch cup clearance.
- Pod brewing option standard on all models.
- Intuitive operational design. Easy to use control pad guides user through steps for making drinks.
- Easy daily cleaning.
- Innovative milk delivery system does not inject steam or water to dilute the foam so customers enjoy a full, rich flavor experience.
- Available with a self-contained 1 gallon milk drawer or external milk.

For current specification sheets and other information, go to www.bunn.com.

Related Products

Espresso Water Quality System

EQHP-ESP
Product No.: 39000.0008



Replacement Cartridge

EQHP-ESPCRTG
Product No.: 39000.1008

Urnex® Cafiza™ Cleaning Tablets

Product No.: 36000.1189 (100 count)
Product No.: 36000.1188 (12/case)



Cup Heater

Product No.: 35800.6400



Urnex® Rinza™

Milk Frother Cleaner
Product No.: 39265.0000 (each)
Product No.: 39265.0001 (6/case)



Steamer

Product No.: 35800.6401



Urnex® Complete Cafe™

Sanitizer
Product No.: 39265.0010 (each)
Product No.: 39265.0011 (6/case)



Model

Tiger XL

Tiger XL, EXT

Agency Listing



Dimensions & Specifications



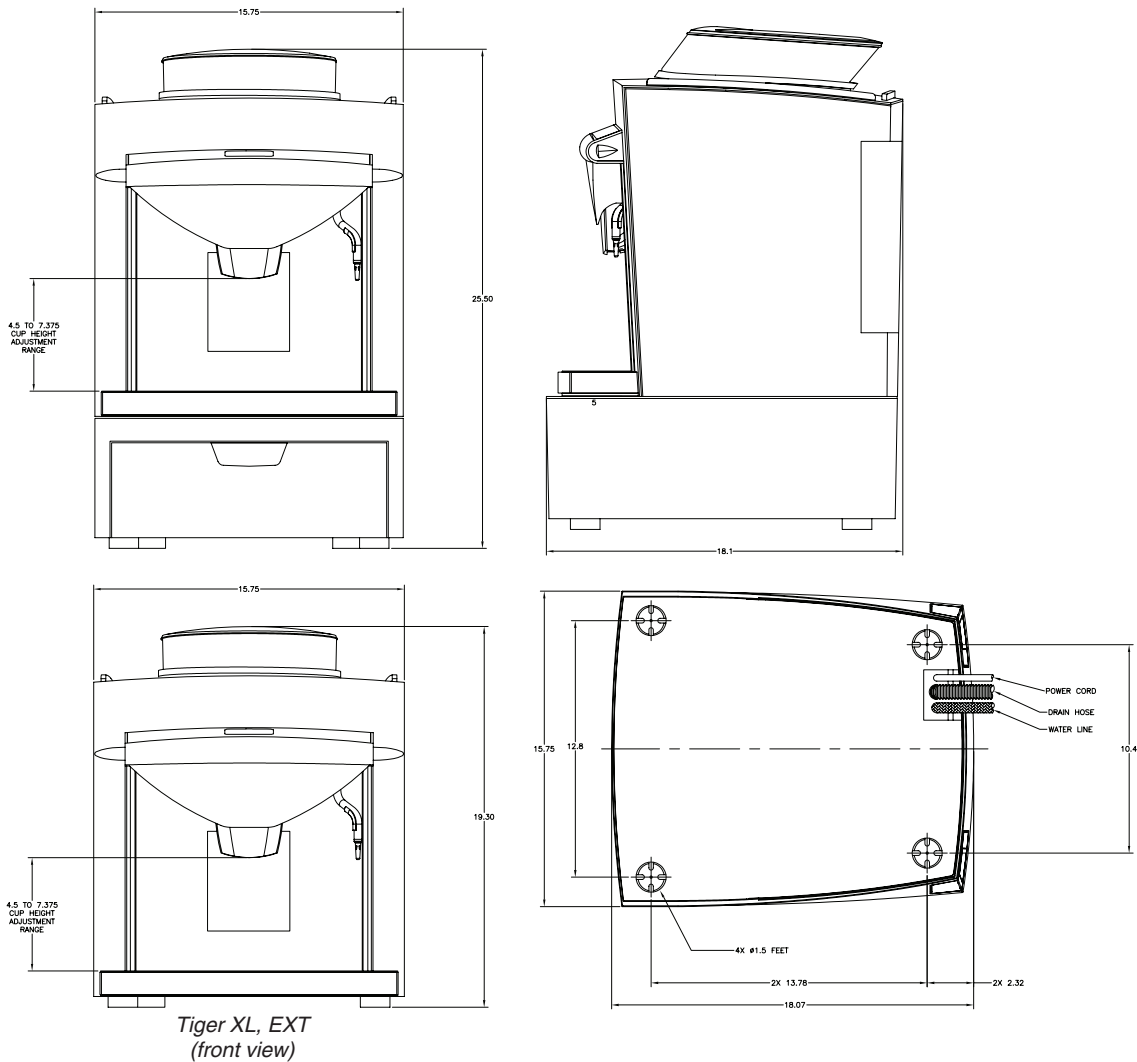
Model	Product #	Volts	Amps	Tank Htr Watts	Total Watts	Capacity	Cubic Measure	Weight lbs / kg	Cord Attached
Tiger XL	35800.6909	208	11.5	2000	2400	180 shots/hr	12.5 ft ³ /.35 m ³	103 / 46.7	Yes/No Plug
Tiger XL, EXT	35800.6911	208	11.5	2000	2400	180 shots/hr	10.5 ft ³ /.30 m ³	88 / 39.9	Yes/No Plug

Capacity per Hour: Espresso: 180
 Cappucino: 120
 Cold Cappucino: 100
 Cafe Latte: 100
 POD Products: 60
 Hot Water: 7.9 gallons (30 litres)

Model includes: Machine, water filtration system and installation.

Electrical: Model requires 2-wire grounded service rated 208V, single phase, 50/60 Hz.

Plumbing: 20-100 psi (138 - 690 kPa). Machine supplied with 1/4" male flare fitting. All machines are supplied with a waste water hose and must be connected to a drain.



Bunn-O-Matic Corporation of Canada - 280 Industrial Pkwy. S. Aurora, Ontario L4G 3T9 • 905-841-2866 • Fax 905-841-2775 • www.bunn.com

BUNN® practices continuous product research and improvement. We reserve the right to change specifications and product design without notice. Such revisions do not entitle the buyer to corresponding changes, improvements, additions or replacements for previously purchased equipment.

All dimensions shown in inches. Bunn Corporation owns all copyrights relating to materials in this publication. Please contact Bunn Corporation to request permission to reproduce any portion of this publication.