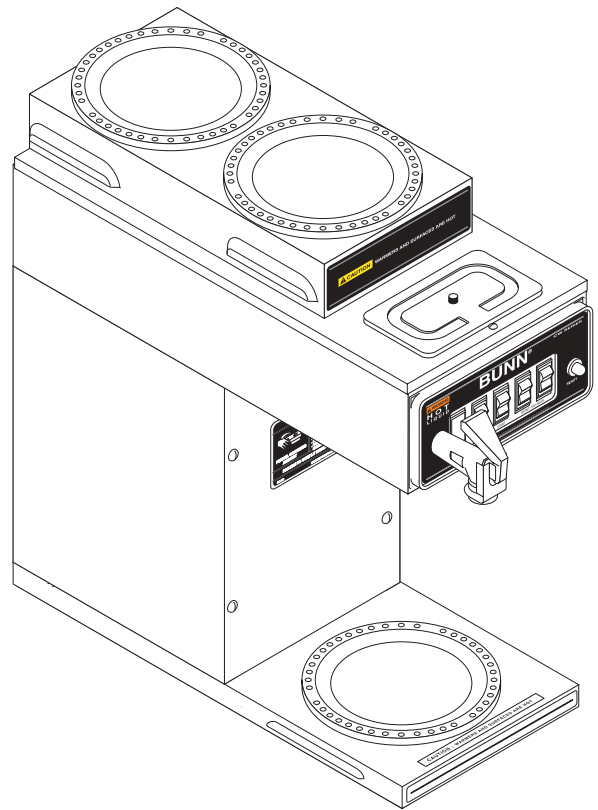
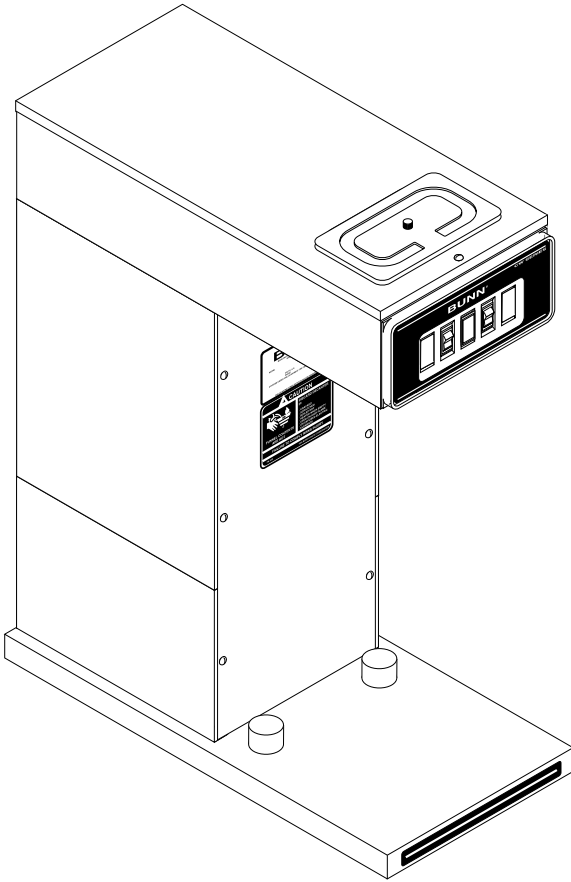


BUNN®

CWA-APS, TS
CWTA-APS, TS
CWTFA-APS, TS, TC



ILLUSTRATED PARTS CATALOG

Designs, materials, weights, specifications, and dimensions for equipment or replacement parts are subject to change without notice.

BUNN-O-MATIC CORPORATION

POST OFFICE BOX 3227

SPRINGFIELD, ILLINOIS 62708-3227

PHONE: (217) 529-6601 FAX: (217) 529-6644

BUNN-O-MATIC COMMERCIAL PRODUCT WARRANTY

Bunn-O-Matic Corp. ("BUNN") warrants equipment manufactured by it as follows:

- 1) All equipment other than as specified below: 2 years parts and 1 year labor.
- 2) Electronic circuit and/or control boards: parts and labor for 3 years.
- 3) Compressors on refrigeration equipment: 5 years parts and 1 year labor.
- 4) Grinding burrs on coffee grinding equipment to grind coffee to meet original factory screen sieve analysis: parts and labor for 3 years or 30,000 pounds of coffee, whichever comes first.

These warranty periods run from the date of installation BUNN warrants that the equipment manufactured by it will be commercially free of defects in material and workmanship existing at the time of manufacture and appearing within the applicable warranty period. This warranty does not apply to any equipment, component or part that was not manufactured by BUNN or that, in BUNN's judgment, has been affected by misuse, neglect, alteration, improper installation or operation, improper maintenance or repair, damage or casualty. This warranty is conditioned on the Buyer 1) giving BUNN prompt notice of any claim to be made under this warranty by telephone at (217) 529-6601 or by writing to Post Office Box 3227, Springfield, Illinois 62708-3227; 2) if requested by BUNN, shipping the defective equipment prepaid to an authorized BUNN service location; and 3) receiving prior authorization from BUNN that the defective equipment is under warranty.

THE FOREGOING WARRANTY IS EXCLUSIVE AND IS IN LIEU OF ANY OTHER WARRANTY, WRITTEN OR ORAL, EXPRESS OR IMPLIED, INCLUDING, BUT NOT LIMITED TO, ANY IMPLIED WARRANTY OF EITHER MERCHANTABILITY OR FITNESS FOR A PARTICULAR PURPOSE. The agents, dealers or employees of BUNN are not authorized to make modifications to this warranty or to make additional warranties that are binding on BUNN. Accordingly, statements by such individuals, whether oral or written, do not constitute warranties and should not be relied upon.

If BUNN determines in its sole discretion that the equipment does not conform to the warranty, BUNN, at its exclusive option while the equipment is under warranty, shall either 1) provide at no charge replacement parts and/or labor (during the applicable parts and labor warranty periods specified above) to repair the defective components, provided that this repair is done by a BUNN Authorized Service Representative; or 2) shall replace the equipment or refund the purchase price for the equipment.

THE BUYER'S REMEDY AGAINST BUNN FOR THE BREACH OF ANY OBLIGATION ARISING OUT OF THE SALE OF THIS EQUIPMENT, WHETHER DERIVED FROM WARRANTY OR OTHERWISE, SHALL BE LIMITED, AT BUNN'S SOLE OPTION AS SPECIFIED HEREIN, TO REPAIR, REPLACEMENT OR REFUND.

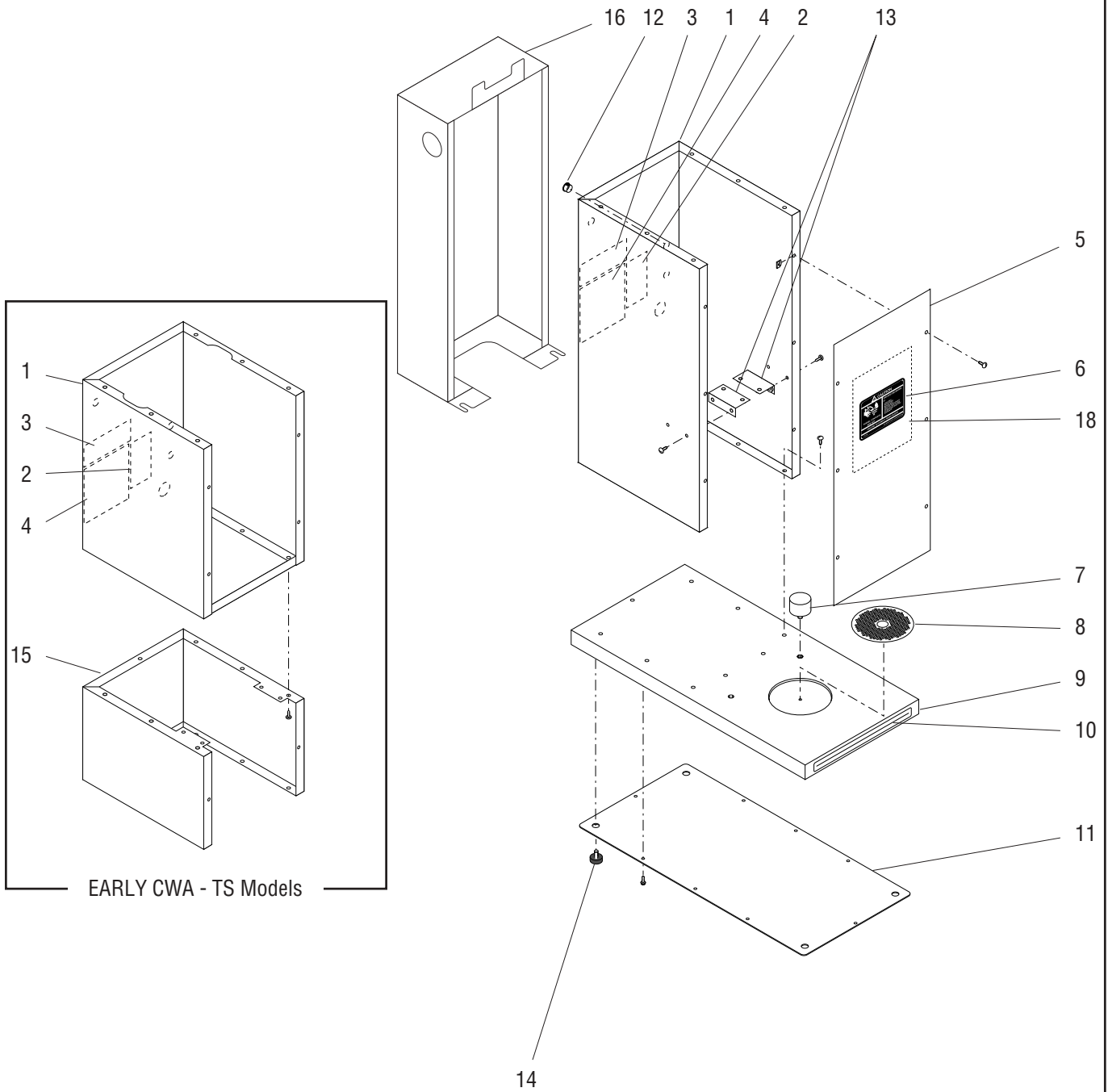
In no event shall BUNN be liable for any other damage or loss, including, but not limited to, lost profits, lost sales, loss of use of equipment, claims of Buyer's customers, cost of capital, cost of down time, cost of substitute equipment, facilities or services, or any other special, incidental or consequential damages.

TABLE OF CONTENTS

Electrical and Operating Controls	24
Faucet and Tubing	22
Funnels and Filter Basket	28
Fill Basin	12
Hood and Top Covers - Automatics W/Warmer	8
Hood and Top Covers - Automatics	10
Hood and Top Covers - Pour Overs	6
Numerical Index	32
Strainer - Flow Control - Solenoid and Lines - Faucet Models	20
Strainer - Flow Control - Solenoid and Lines - Non - Faucet Models	18
Tank and Components - CWA - CWTA	14
Tank and Components - CWTFa	16
Trunks, Extensions and Panel	4
Warmer Assemblies	30

Model Designation :

CWA	Pour - Over Models
CWTA	Automatic Models
CWTFa	Automatic W/ Faucet Models
APS	Air Pot Server Models
TC	Thermal Carafe Models
TS	Thermal Server Models



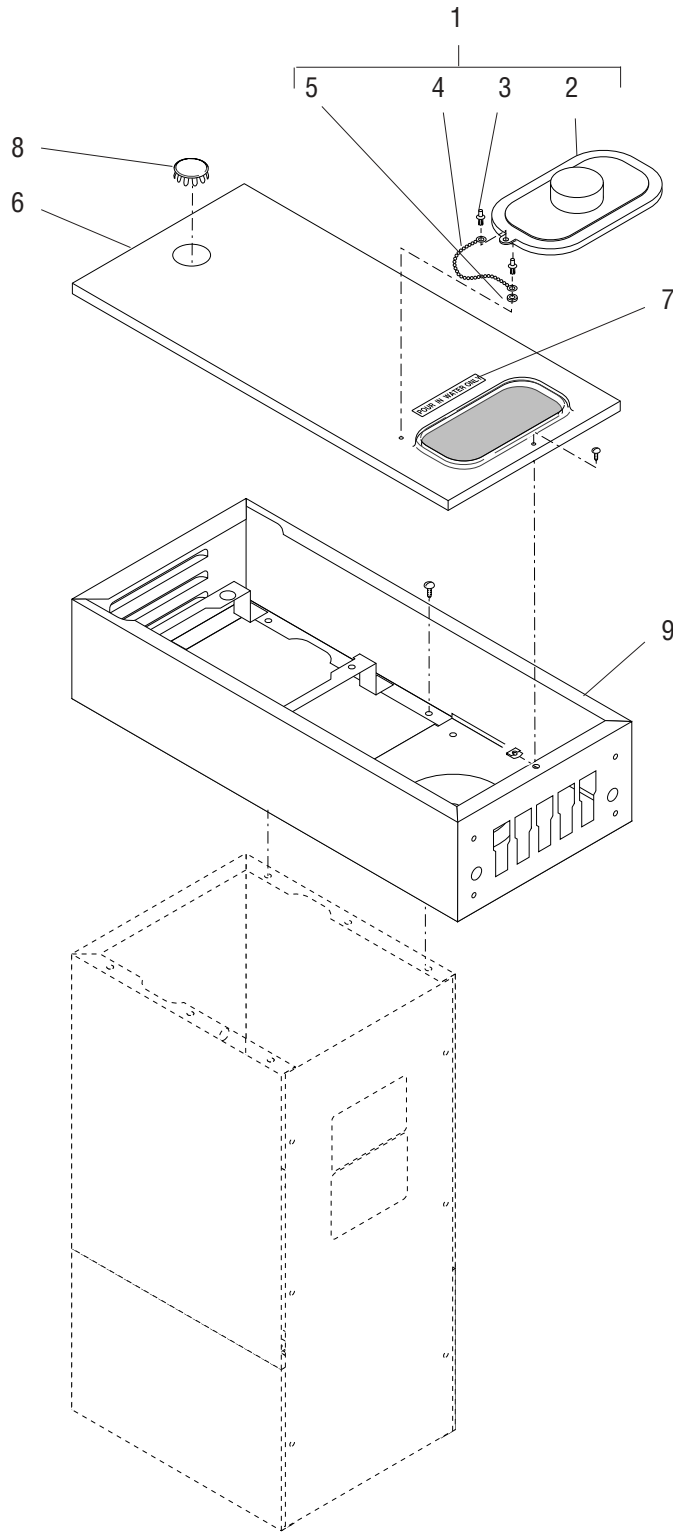
TRUNKS, EXTENSIONS AND PANELS

ITEM	PART NO.	QTY.	DESCRIPTION
1	25352.0001	1	Trunk W/Decals, SST (11.69" High) (Includes items 2, 3, 4 & 12)
	25352.0007	1	Trunk W/Decals, SST (12.39" High) (Includes items 2, 3 & 4)("TC" W/Faucet Models)
	27928.1000	1	Trunk W/Decals, SST (18.15" High) (Includes items 2, 3, 4 & 12)
	34061.1002	1	Trunk W/Decals, SST (22.16" High) (Includes items 2, 3, 4 & 12)
	34061.1004	1	Trunk W/Decals, SST (22.16" High) (Includes items 2, 3 & 4)("TS" Models W/Faucet)
	34081.1000	1	Trunk W/Decals, SST (18.15" High) (Includes items 2, 3, 4 & 12)("APS" Models)
	02308.0000	7	Screw, Pan Head #8 - 32 x .375" (Models with 18.15" trunk only)
2	26225.0000	1	Decal, Strainer/Flow Control (Automatics W/Faucet)
3	00656.0000	1	Decal, Apply to Plumbing Code
4	00831.0000	1	Decal, Warning-Electrical
5	23318.0001	1	Panel W/Decals, Trunk (Includes items 6)("APS" Models)
	23319.0001	1	Panel W/Decals, Trunk (Includes items 6)("TS" Models)
	25144.0002	1	Panel W/Decals, Trunk (Includes item 6)(Models W/Warmer)
	25144.0019	1	Panel W/Decals, Trunk (Includes item 6)("TC" Models)
	01382.0000	6	Screw, Truss Head # 6 - 32 x .375" (2 Additional used in "TS" Models)
	00988.0000	6	Clip, J-Type 6-32
6	00658.0000	1	Decal, Caution-Decanter/Funnel
7	00754.0001	2	Foot / Locator
8	22740.0000	1	Drip Shield (Early Models only)
9	23321.0002	1	Housing W/Decal, Base ("APS" Models)
	23321.0003	1	Housing W/Decal, Base ("TS" Models)
10	22306.0000	1	Decal, Red Decorative Stripe
11	22999.0000	1	Cover, Base
	02332.0002	8	Screw, Hex-Crimptite #6 - .25"
12	00670.0000	2	Plug, Hole .437" Dia.(One less used on automatics W/Out Faucet) (Not used on automatics W/Faucet)
13	27929.0000	2	Bracket, Mounting
	02308.0000	4	Screw, Pan Head 8 - 32 x .375"
14	25137.0001	4	Foot, Rubber (See item 17)
15	22748.0001	1	Housing, Trunk Extension SST (Early "TS" Models)
	02308.0000	13	Screw, Pan Head 8 - 32 x .375"
16	28233.0000	1	Cover, Utility (Optional)
17	24600.0000	-	Kit, Rubber Foot (Includes Four Feet)
18	32540.0000	1	Decal, Batch Set (Digital Timers) (Late Models)

Also order Item
18 for late models

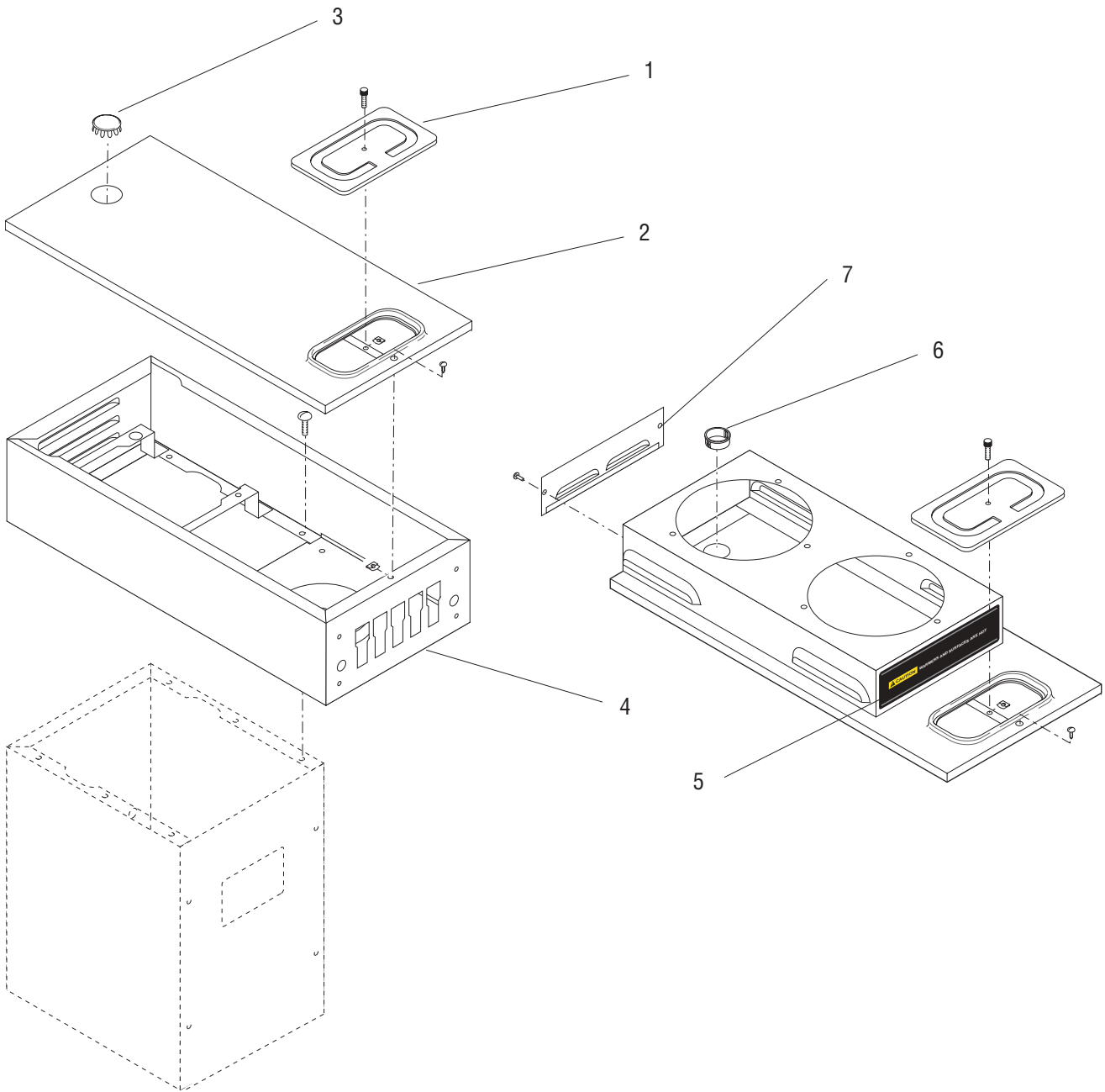
Includes item 10

Models with 18.15" & 22.16" trunk only



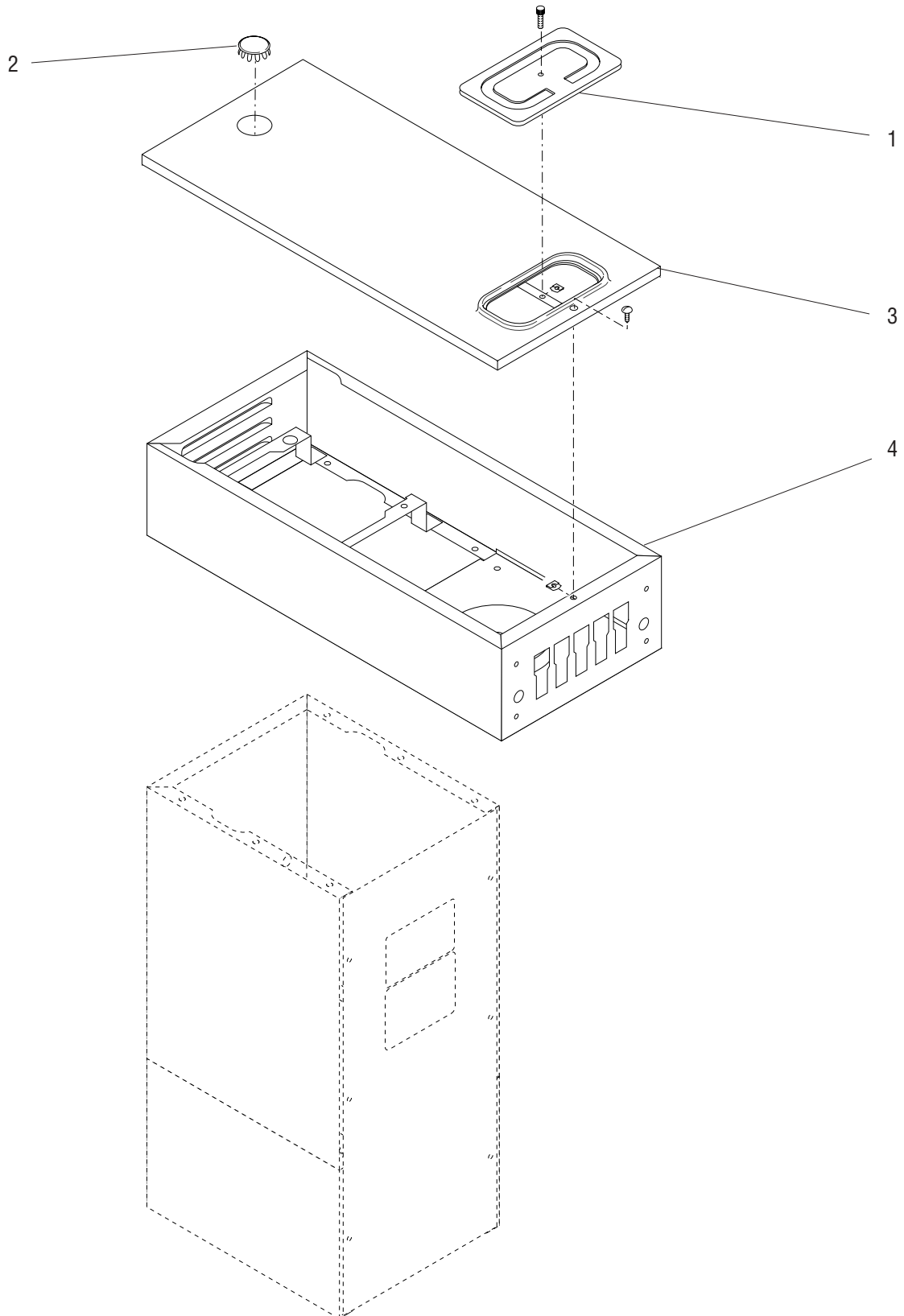
HOOD AND TOP COVERS - POUR OVERS

ITEM	PART NO.	QTY.	DESCRIPTION
1	12981.0001	1	Lid/Chain Kit (Includes items 2, 3, 4 & 5)
2	13110.0000	1	Lid, Pour-In
3	20615.0000	2	Rivet, Drive .187" Dia.
4	12978.0000	1	Chain Assy, Lid
5	20616.0000	1	Washer, Nylon .194" I.D.
6	25324.1000	1	Cover W/Decal, Top (Includes items 7 & 8)
	01303.0000	1	Screw, Pan Head #4-40 x .50"
	00916.0000	1	Clip, J-Type #4-40 x .50"
7	00833.0000	1	Decal, Pour In Water Only
8	02999.0000	1	Plug, Hole 1.19" Dia (Early models)
9	13350.0006	1	Housing, Hood
	02308.0000	6	Screw, Pan Head #88-32 x .375"



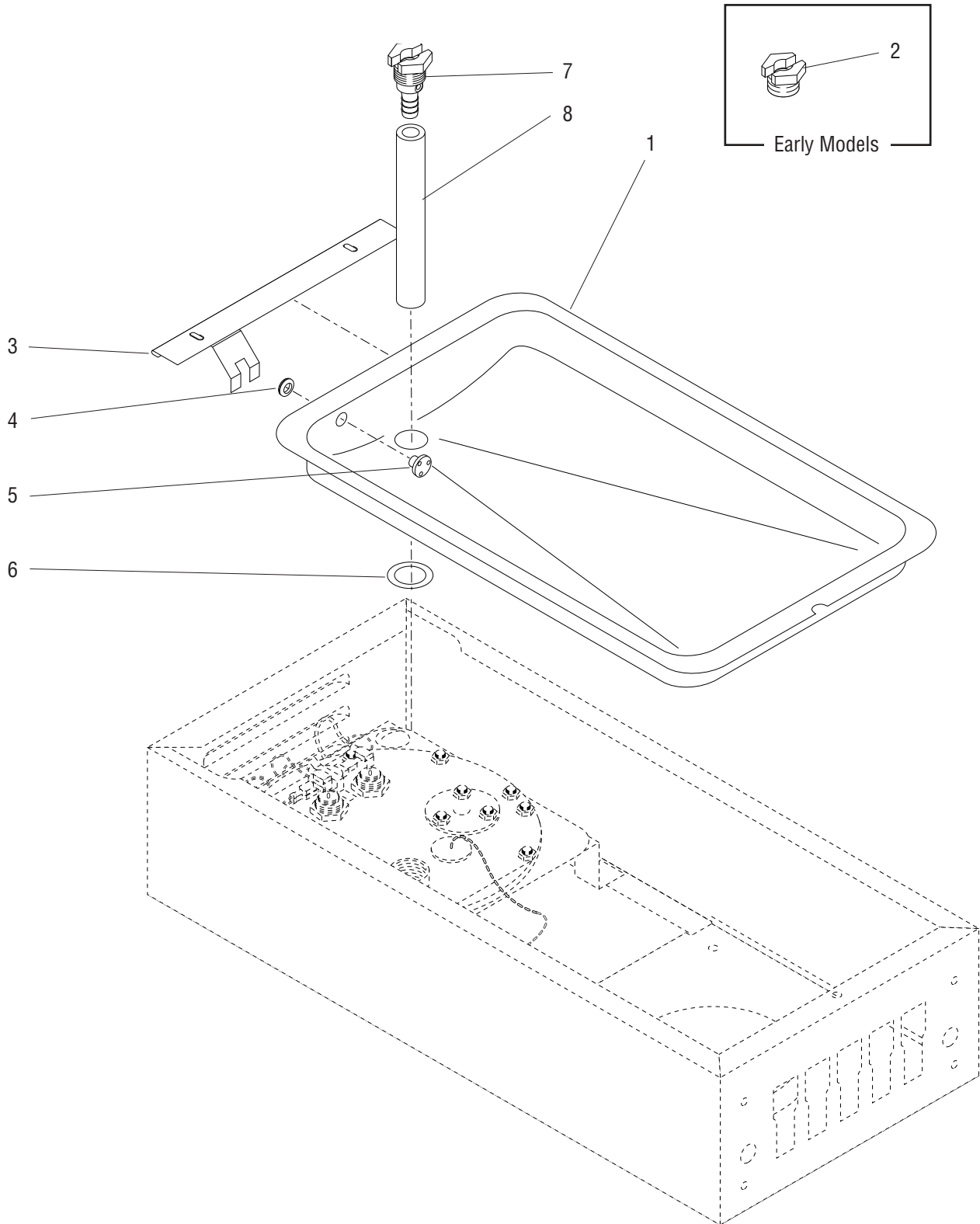
HOOD AND TOP COVERS - AUTOMATICS W/WARMER

ITEM	PART NO.	QTY.	DESCRIPTION
1	02722.0000	1	Lid, Pour-In
2	25353.0001	1	Cover W/Decal, Top (Includes item 5 & 6)
	01303.0000	1	Screw, Pan Head #4-40 x .50"
	00916.0000	1	Clip, J-Type #4-40 x .50"
3	02999.0000	1	Plug, Hole 1.19" Dia (Early models)
4	13350.0006	1	Housing, Hood
	02308.0000	6	Screw, Pan Head #88-32 x .375"
5	02765.0000	1	Decal, Caution-Hot Surface
6	01592.0000	1	Bushing, Snap
7	02732.0000	1	Panel, Rear Top Warmer
	01315.0000	2	Screw, Truss Head 8-32 x .375"



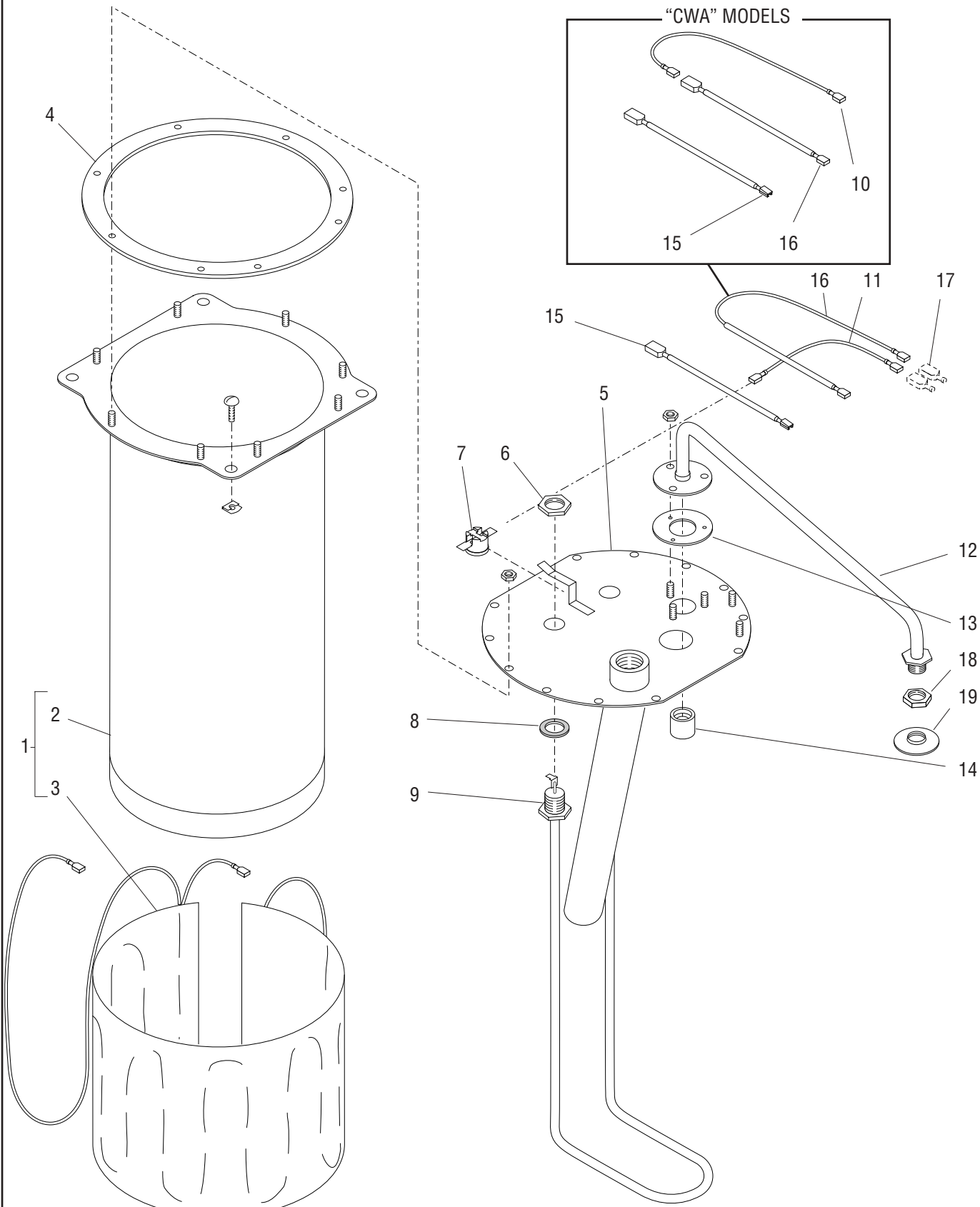
HOOD AND TOP COVERS - AUTOMATICS

ITEM	PART NO.	QTY.	DESCRIPTION
1	02722.0000	1	Lid, Pour-In
	01319.0000	1	Screw, Thumb #8-32 x .75"
	00912.0000	1	Clip, J-Type #8-32
2	02999.0000	1	Plug, Hole 1.19" Dia (Early models)
3	25310.0001	1	Cover Assy, Top
	01303.0000	1	Screw, Pan Head #4-40 x .50"
	00916.0000	1	Clip, J-Type #4-40 x .50"
4	13350.0006	1	Housing, Hood
	02308.0000	6	Screw, Pan Head #8-32 x .375"



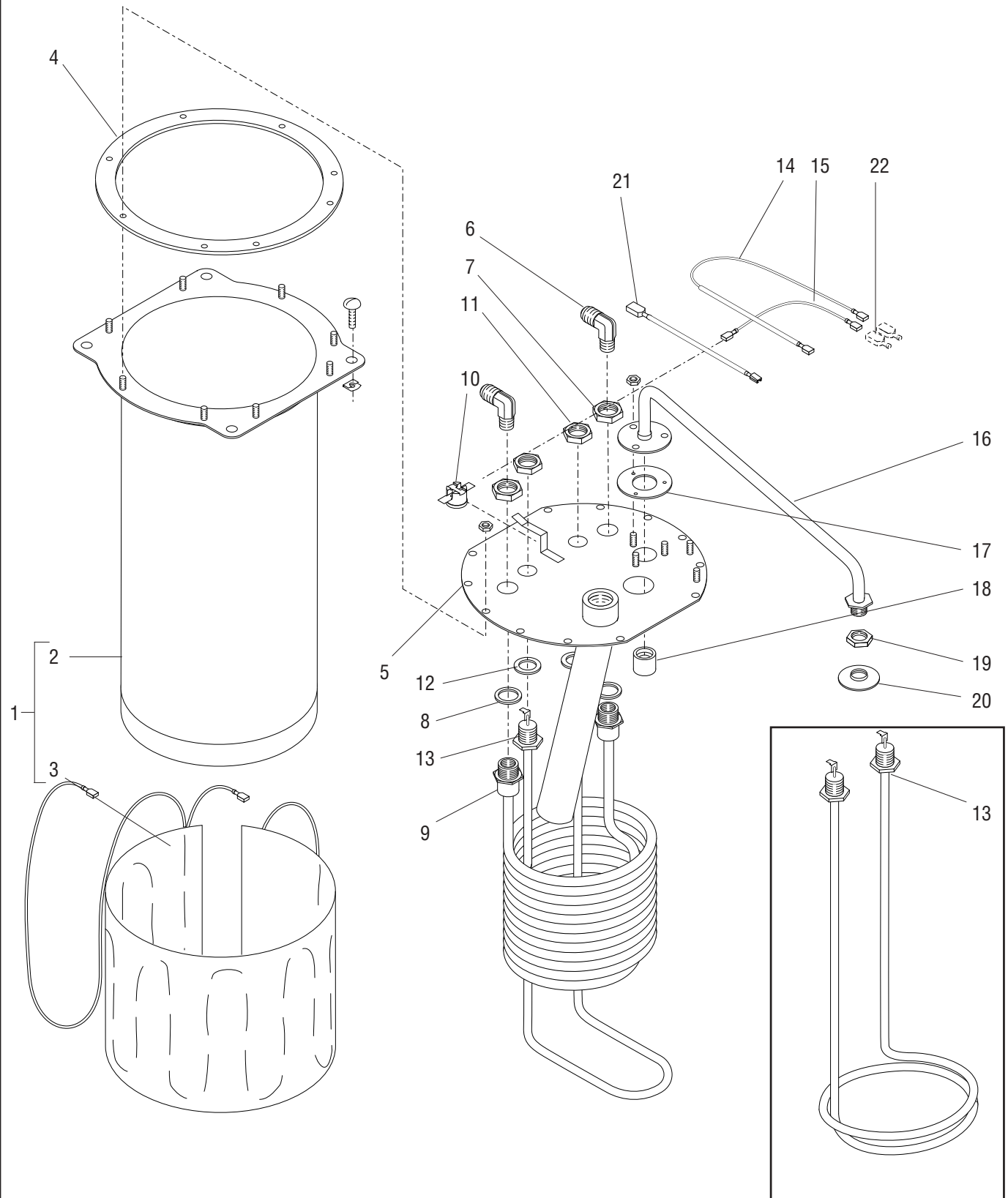
FILL BASIN

ITEM	PART NO.	QTY.	DESCRIPTION
1	04270.0002	1	Fill Basin
2	01212.0000	1	Fitting, Tank Inlet (Early models)
3	27514.0000	1	Plate, Splash Guard
4	12928.0000	1	Grommet, Fill Basin
5	01426.0000	1	Weld Pin, .250" Dia. (Not used in Automatic Brewers)
6	01201.0000	1	Gasket, Tank Inlet
7	32063.0000	1	Fitting
8	-----	1	Tube, Silicone .313" I.D. x 4.0" (Order item 9)
9	28526.1000	1	Tube, Silicone .313" I.D. x12.0" (Cut to required length)



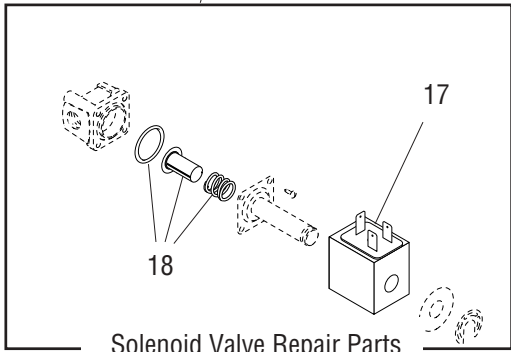
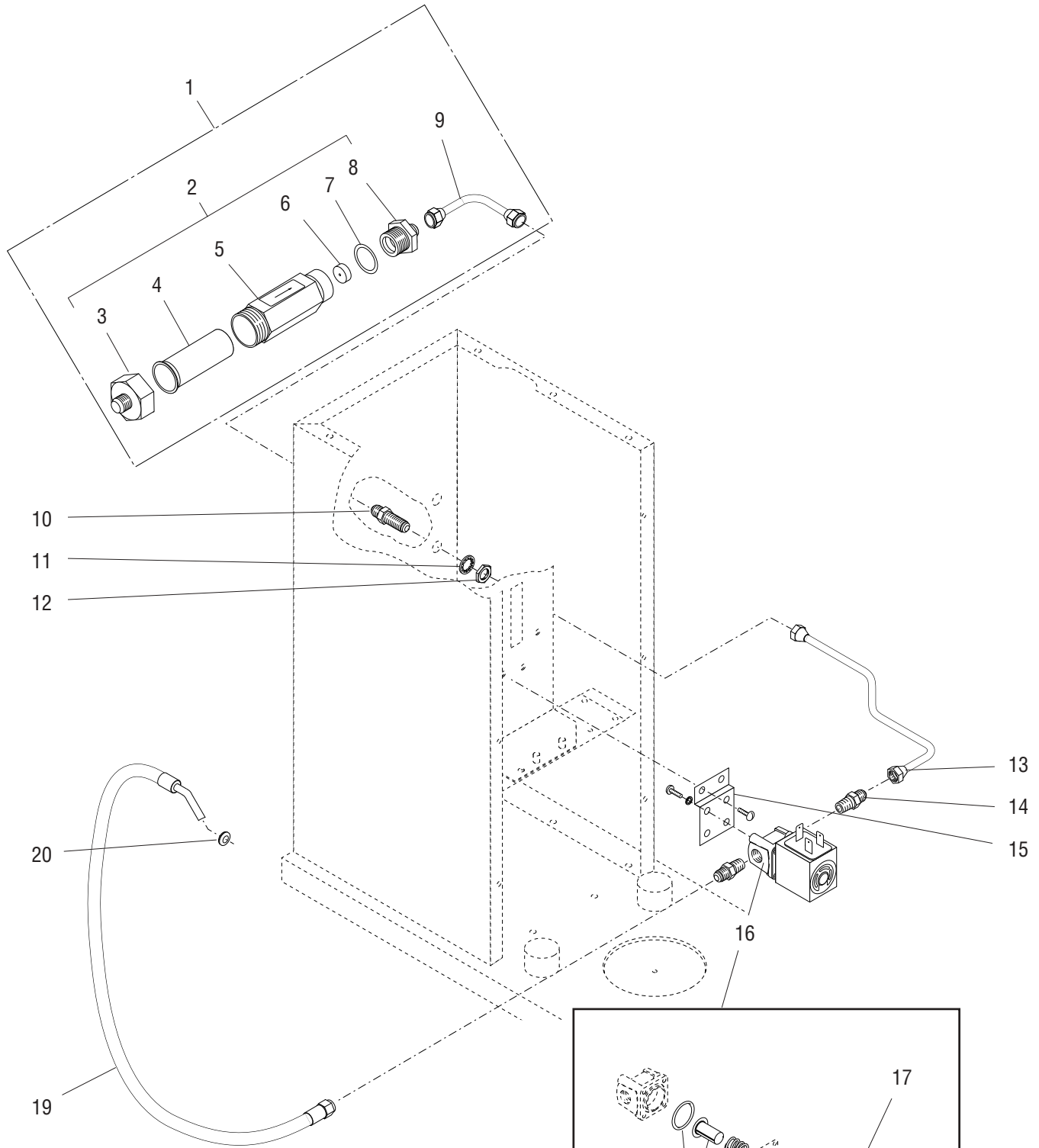
TANK AND COMPONENTS CWA - CWTA

ITEM	PART NO.	QTY.	DESCRIPTION
-	-----	1	Tank Assy, 1850W 220V (CWA Models) (Includes items 1 thru 6, 8 thru 16)(Not available. Order components)
	-----	1	Tank Assy, 1850W 220V (CWTA Models) (Includes items 1 thru 16)(Not available. Order components)
	01315.0000	2	Screw, Truss Head #8-32 x .38"
	00912.0000	2	Fastener, J-Type #8-32
1	04133.0000	1	Tank W/Blanket Warmer, 220V (Includes items 2 & 3)
2	04118.0000	1	Tank
3	01927.0000	1	Blanket Warmer, 50W 220V
4	04221.0000	1	Gasket, Tank Lid
5	25158.0002	1	Tank Lid Weldment
	00908.0000	8	Nut, Hex 8-32
6	00942.0000	2	Nut, Hex .50"-20
7	29329.1000	1	Thermostat, Limit (Not used on CWA Models)
8	00943.0000	2	Gasket, Tank Heater
9	01925.1000	1	Tank Heater, 1850W 220V (Includes item 8)
10	23769.0000	1	Lead, Electrical (Thermostat to Heater)
11	23768.0000	1	Lead, Electrical (Thermostat to Limit)(Not used on CWA Models)
12	11431.0002	1	Sprayhead Tube Kit (Includes 3 mounting nuts below & items 13 & 14)
	00908.0000	3	Nut, Hex 8-32
13	05515.0000	1	Gasket, Sprayhead Tube
14	05518.0000	1	Hub, Syphon
15	22918.0000	1	Thermal Cut-Off W/Double Terminal (CWA Models)
	22918.0001	1	Thermal Cut-Off W/Double Terminal (CWTA Models)
16	04776.0000	1	Thermal Cut-OFF W/Lead Assy (CWA Models)
	20211.0100	1	Thermal Cut-OFF W/Lead Assy (CWTA Models)
17	-----	-	Thermostat Leads (See Electrical and Operating Controls)
18	01075.0000	1	Nut, Hex .438" - 20
19	01082.0000	1	Sprayhead, 6-Hole
	01082.0005	1	Sprayhead, 5-Hole



TANK AND COMPONENTS CWTF A

ITEM	PART NO.	QTY.	DESCRIPTION
-	-----	1	Tank Assy, 3500W 240V (Includes items 1 thru 18)(Not available. Order components)
	-----	1	Tank Assy, 1850W 220V (Includes items 1 thru 18)(Not available. Order components)
	01315.0000	2	Screw, Truss Head #8-32 x .375"
	00912.0000	2	Fastener, J-Type #8-32
1	04133.0000	1	Tank W/Blanket Warmer, 220V (Includes items 2 & 3)
2	04118.0000	1	Tank
3	01927.0000	1	Blanket Warmer, 50W 220V
4	04221.0000	1	Gasket, Tank Lid
5	25158.0003	1	Tank Lid Weldment
	00908.0000	8	Nut, Hex 8-32
6	00400.0001	2	Elbow, Male .250" Flare x .125" MPT
7	12687.0000	2	Nut, Hex .562"-24
8	12688.0000	2	Gasket, Water Coil
9	12689.1000	1	Coil Assy, Hot Water (Includes item 8)
10	29329.1000	1	Thermostat, Limit
11	00942.0000	2	Nut, Hex .50"-20
12	00943.0000	2	Gasket, Tank Heater
13	01925.1000	1	Tank Heater, 1850W 220V
	04637.1000	1	Tank Heater, 3500W 240V
			} Includes item 12
14	20211.0100	1	Thermal Fuse (Thermostat to Heater)
15	23768.0000	1	Lead, Electrical (Thermostat to Limit)
16	11431.0002	1	Sprayhead Tube Kit (Includes 3 mounting nuts below & items 17 & 18)
	00908.0000	3	Nut, Hex 8-32
17	05515.0000	1	Gasket, Sprayhead Tube
18	05518.0000	1	Hub, Syphon
19	01075.0000	1	Nut, Hex .438" - 20
20	01082.0000	1	Sprayhead, 6-Hole
	01082.0005	1	Sprayhead, 5-Hole
21	22918.0001	1	Thermal Fuse (Heater to Heater Switch)
22	-----	-	Thermostat Leads (See Electrical and Operating Controls)

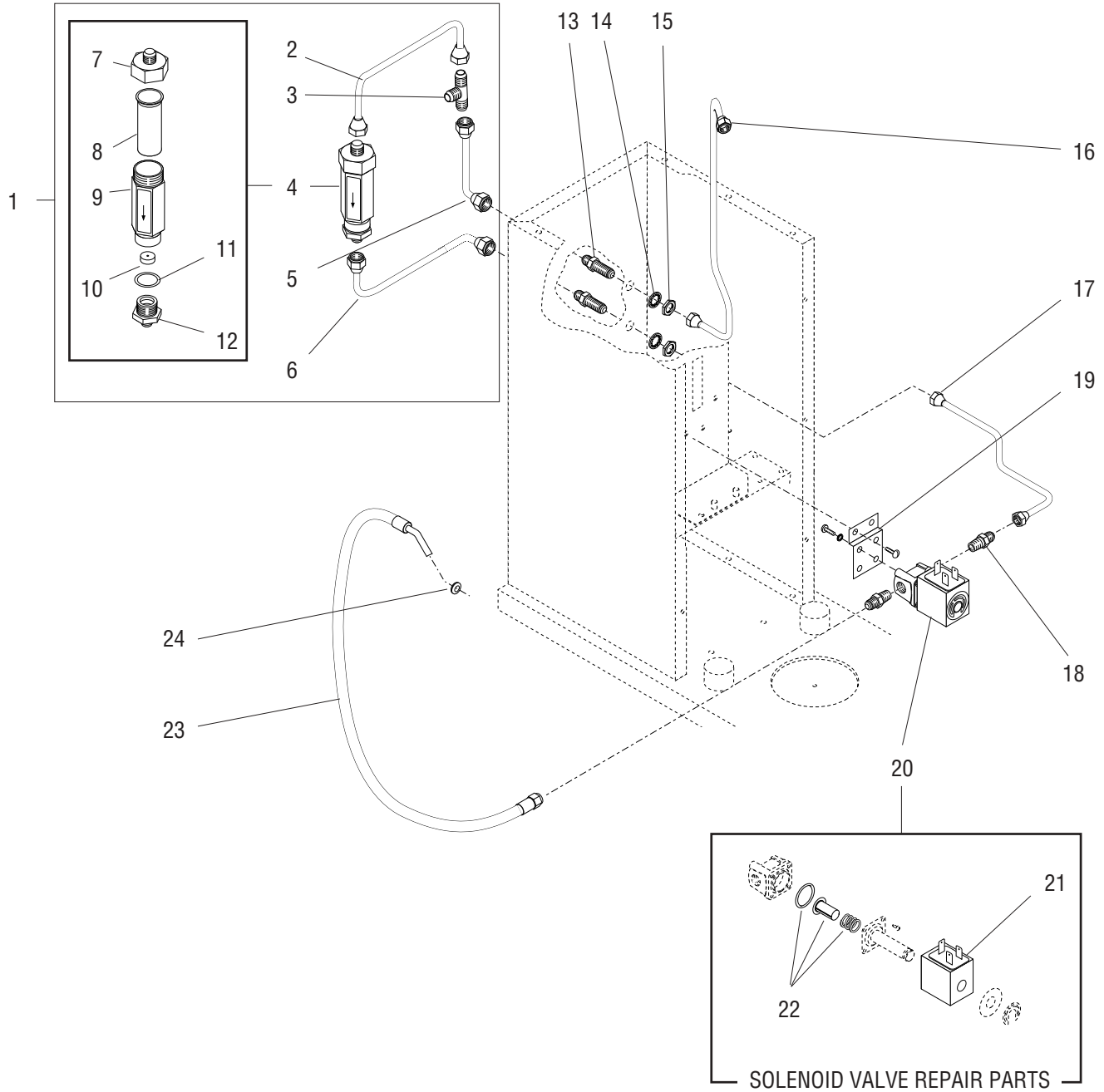


Solenoid Valve Repair Parts

P1463

STRAINER - FLOW CONTROL - SOLENOID AND LINES NON - FAUCET MODELS

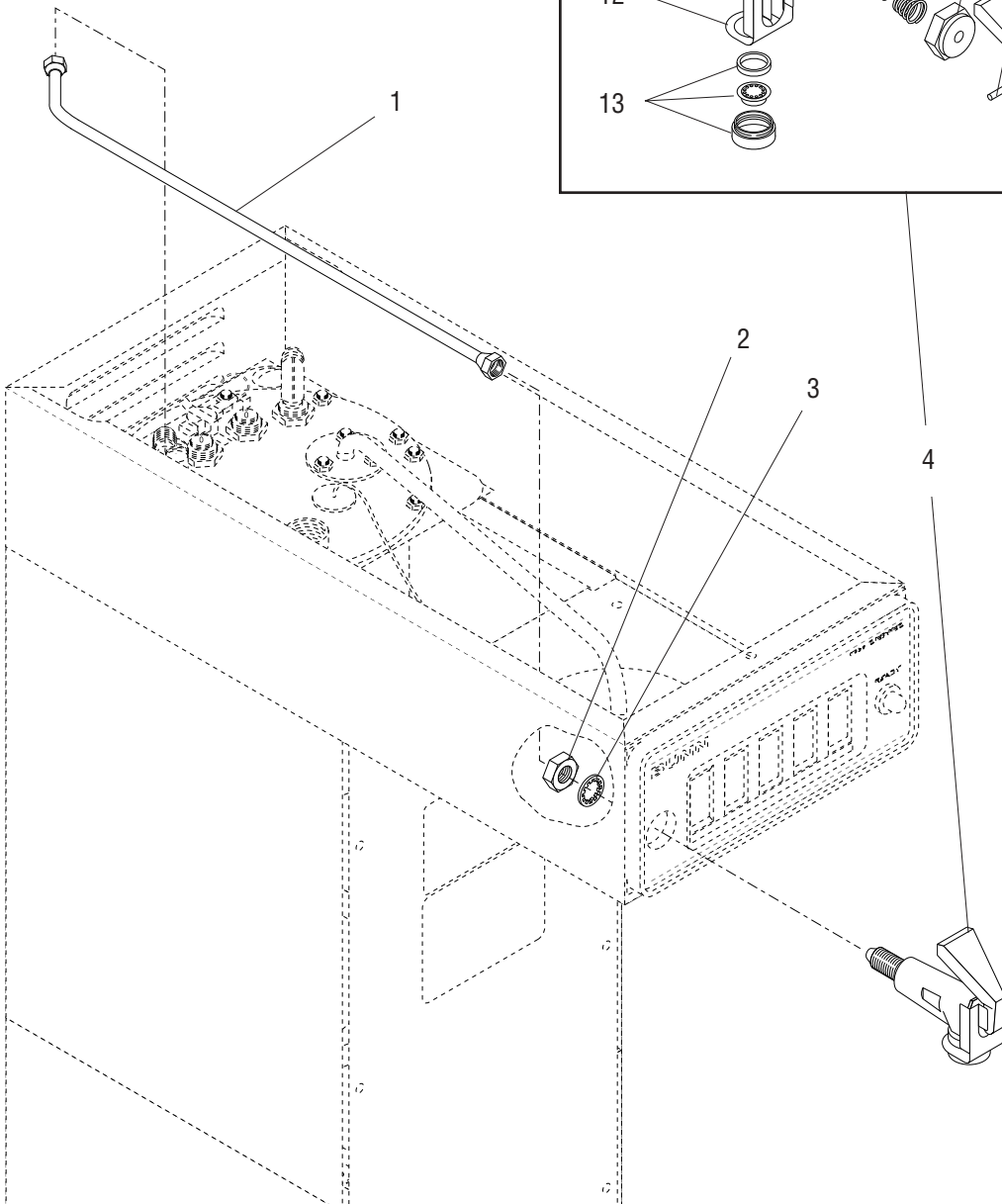
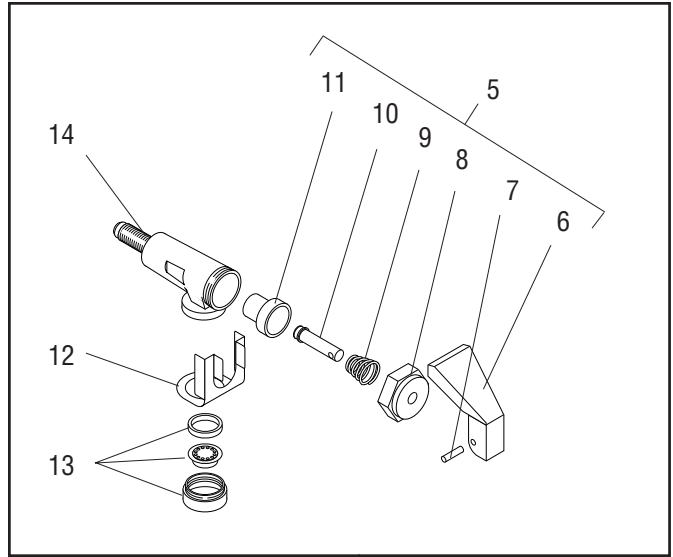
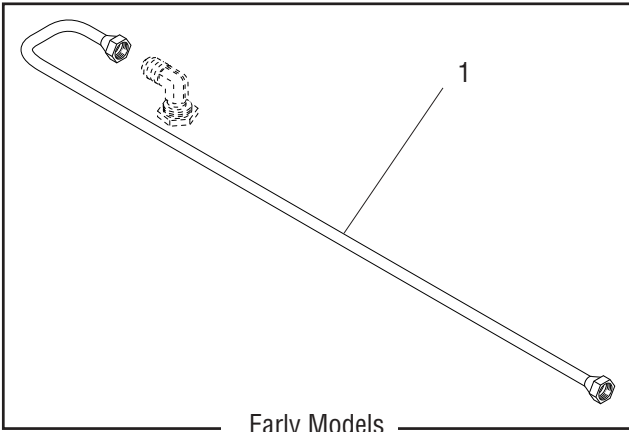
ITEM	PART NO.	QTY.	DESCRIPTION
1	24356.0222	1	Strainer/Flow Control Assy W/Tube (Includes items 2 and 9)
2	22300.0222	1	Strainer/Flow Control Assy (Includes items 3 thru 8)
3	22249.0000	1	End Cap, Water Strainer
4	23721.0000	1	Screen
5	-----	1	Body (Not available order item 2)
6	20526.1222	1	Flow Washer/Gasket Set, .222 GPM (Includes item 7)
7	01155.0000	1	Flow Control Gasket
8	01154.0000	1	Flow Control Outlet
9	24354.0000	1	Tube Assy, Flow Control to Bulkhead
10	00459.0000	1	Bulkhead Fitting, .250" Flare
11	01532.0000	1	Lockwasher, Internal Tooth .438" I.D.
12	00463.0000	1	Nut, Hex .438"-20
13	12645.0002	1	Tube Assy, Bulkhead to Solenoid
14	00402.0001	2	Connector, .250" Flare x .125" MPT
15	07441.0000	1	Bracket, Solenoid Mounting
	02308.0000	2	Screw, Pan Head 8-32 x 375"
16	28005.0000	1	Solenoid Valve Assy, 240V
	01327.0000	2	Screw, Pan Head 10-32 x 375"
	01502.0000	2	Lockwasher, Split #10
17	28020.0000	1	Solenoid Valve Coil, 240V
18	28021.0000	1	Solenoid Valve Repair Kit
19	12914.0002	1	Tube Assy, Solenoid/Fill (Includes item 20)
20	12928.0000	1	Grommet, Pour-In Basin



STRAINER - FLOW CONTROL - SOLENOID AND LINES FAUCET MODELS

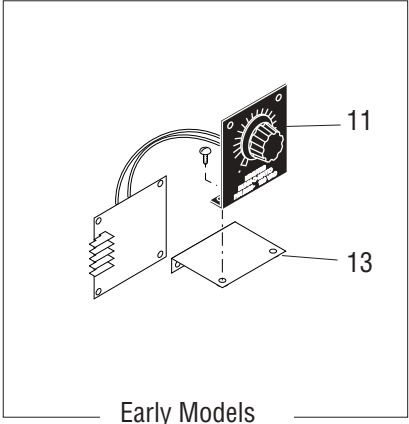
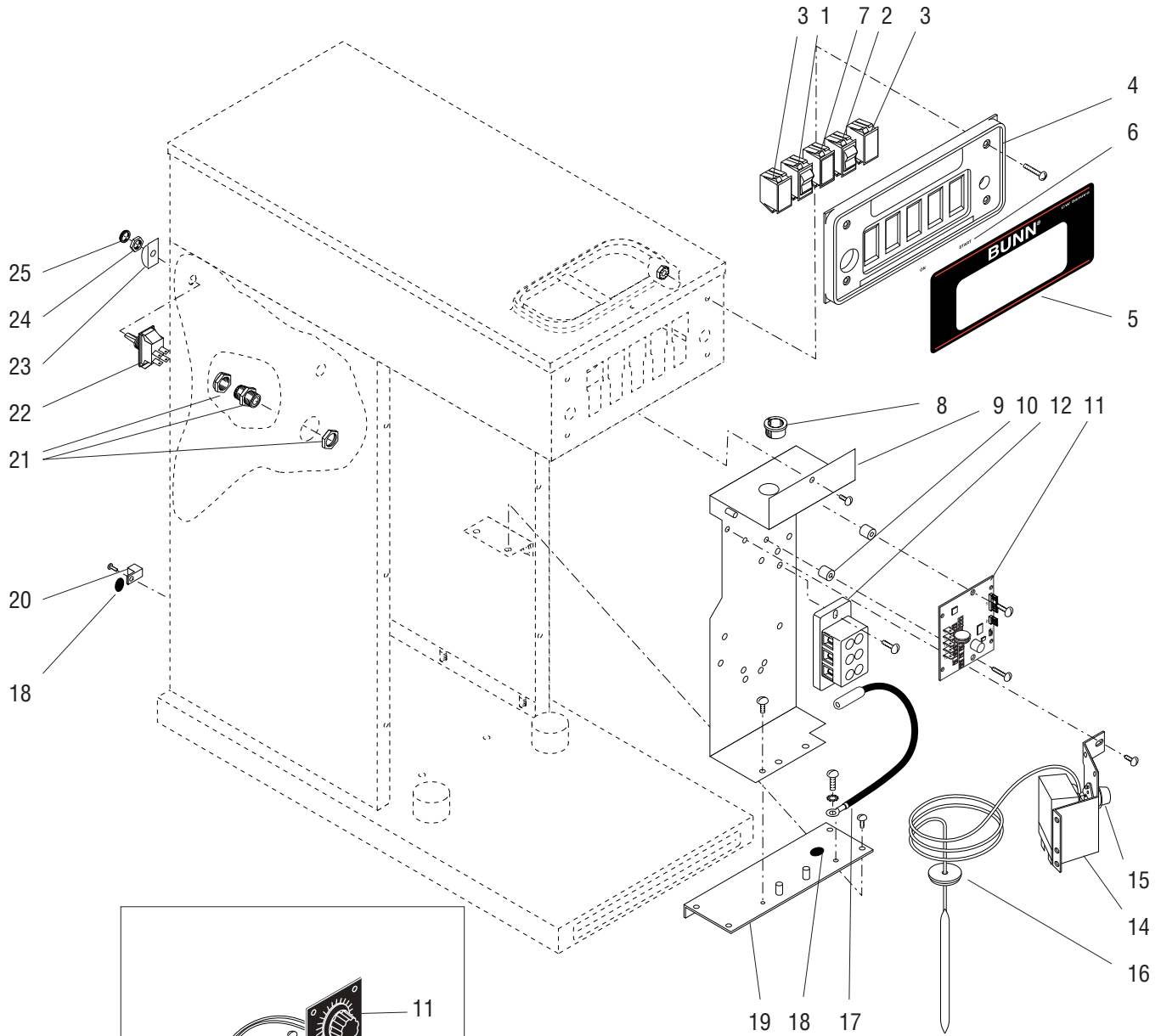
ITEM	PART NO.	QTY.	DESCRIPTION
1	24394.0222	1	Strainer/Flow Control Assy (.222 GPM) (Includes items 2 thru 6)
2	26216.0000	1	Tube Assy, Flow Control to Tee
3	20577.0001	1	Tee, .250" Flare
4	22300.0222	1	Strainer/Flow Control Assy (.222 GPM) (Includes items 7 thru 12)
5	21814.0016	1	Tube Assy, Tee to Bulkhead
6	26217.0000	1	Tube Assy, Flow Control to Bulkhead
7	22249.0000	1	Fitting, Flow Control Inlet
8	23721.0000	1	Screen
9	-----	1	Body (Not Available order item 4)
10	20526.1222	1	Flow Washer/Gasket Set, (.222 GPM) (Includes item 11)
11	01155.0000	1	Gasket, Flow Control
12	01154.0000	1	Fitting, Flow Control Outlet
13	00459.0000	2	Bulkhead Fitting, .250" Flare
14	01532.0000	2	Lockwasher, Internal Tooth .438" I.D.
15	00463.0000	2	Nut, Hex .438"-20
16	20690.0000	1	Tube Assy, Bulkhead to Coil
17	12645.0002	1	Tube Assy, Bulkhead to Solenoid
18	00402.0001	2	Connector, .250" Flare x .125" MPT
19	28007.0000	1	Bracket, Solenoid Mounting
	02329.0000	2	Screw, Round Head - Locking #8-32 x .312"
20	28005.0000	1	Solenoid Valve, 240V
	01327.0000	2	Screw, Pan Head 10-32 x. 375"
	01502.0000	2	Lockwasher, Split #10
21	28020.0000	1	Solenoid Valve Coil
22	28021.0000	1	Solenoid Valve Repair Kit
23	12914.0002	1	Tube Assy, Solenoid/Fill (Includes item 24)
24	12928.0000	1	Grommet, Pour-In Basin

} Repair Parts



FAUCET AND TUBING

ITEM	PART NO.	QTY.	DESCRIPTION
1	20691.0001	1	Tube Assy, Coil to Faucet (Early Models)
	20691.0000	1	Tube Assy, Coil to Faucet (Late Models)
2	13059.0000	1	Faucet Jam Nut
3	01532.0000	1	Lockwasher, Internal Tooth .438" I.D.
4	12915.0000	1	Faucet, Hot Water (Includes items 5 thru 14)
5	13061.0000	1	Faucet Handle/Stem Assy (Includes items 6 thru 11)
6	13053.0000	1	Faucet Handle Kit (Includes item 7)
7	02858.0000	1	Pin, Spring .125" Dia. x .50"
8	13060.0000	1	Faucet Bonnet Nut
9	13055.0000	1	Faucet Spring
10	13054.0000	1	Faucet Stem
11	13056.0000	1	Faucet Seat Cup
12	13057.0000	1	Faucet Safety Clip
13	13058.0000	1	Faucet Aerator Kit
14	-----	1	Body, Faucet (Not available order item 4)

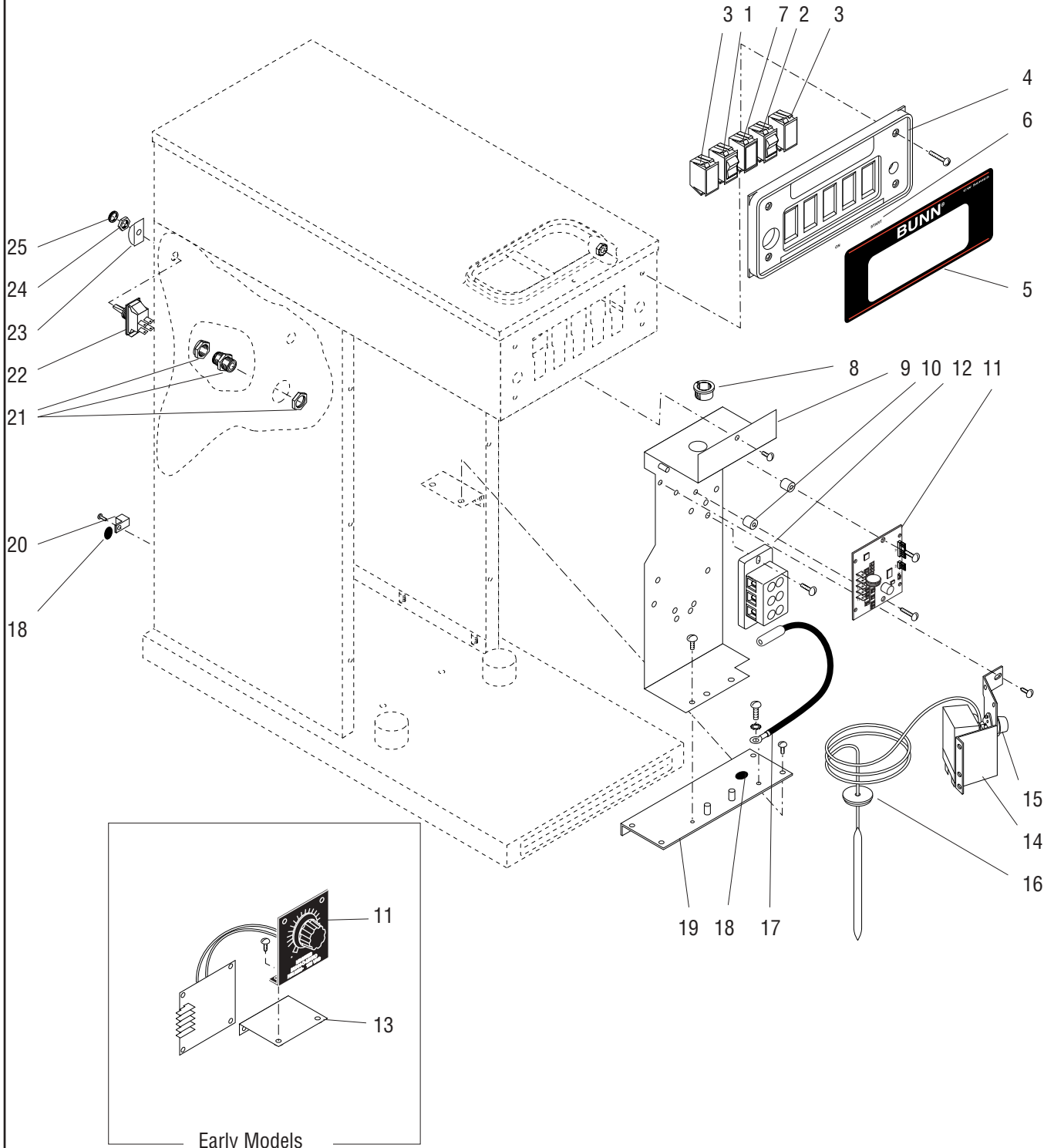


ELECTRICAL AND OPERATING CONTROLS

ITEM	PART NO.	QTY.	DESCRIPTION
1	27727.0000	1	Switch, On/Off 240V
2	27904.0000	1	Switch, Momentary Start
			} Automatics only
3	12921.0000	2	Switch Blank (Two additional used on Pour Over Models)
4	23227.1006	1	Control Panel/Decal - Pour Overs (Includes item 5)
	23227.1005	1	Control Panel/Decal - Automatics (Includes item 5 & 6)
	23227.1007	1	Control Panel/Decal - Automatics W/Faucet (Includes item 5 & 6)
	02301.0000	4	Screw, Phillip Pan Head 6-32 x .625"
	00973.0000	4	Nut, Keps 6-32
5	22289.0000	1	Decal, Control Panel "CW" (Pour Overs & Automatics W/Out Faucet)
	22289.0002	1	Decal, Control Panel "CW" (Automatics W/Faucet)
6	28010.0004	1	Label, Switch On/Ready/Start (Automatics only)
	28010.0005	1	Label, Ready Light (Pour Overs Only)
	28010.0003	1	Label, Switch (Automatics W/Warmer)
7	27691.0001	1	Light Assy, 240V
8	00606.0000	1	Bushing, Snap .875" Dia
9	12698.0002	1	Bracket, Component Mounting
	01347.0000	1	Screw, Truss Head #6-32 x .375" (Early models)
	02308.0000	1	Screw, Pan Head #8-32 x .375" (Late models)
	01327.0000	1	Screw, Pan Head #10-32 x .375"
10	01533.0003	2	Spacer, .140" I.D. x .250" O.D. x .312" LG
11	-----	1	Timer, 5 Min. - 240V (Early Models, Order Item 30)
	32400.0003	1	Timer, Digital - 240V (Late Models)
	21717.0000	2	Screw, Pan Head #6-32 x .375"
	02367.0000	2	Screw, Truss Head #6-32 x .626"
	01510.0000	2	Lockwasher, External Tooth #6
	12919.0008	1	Cap, Terminal (Not illustrated)
12	07038.0000	1	Terminal Block, 3 Pole Red/Wht/Blk
	01317.0000	2	Screw, Truss Head 8-32 x .50"
13	28009.0000	1	Bracket, Timer Mounting (Early Models, not used with Digital Timer)
	02308.0000	2	Screw, Pan Head - Serrated #8-32 x .375"
14	04314.0001	1	Thermostat Kit (Includes items 15 & 16)
	02308.0000	1	Screw, Pan Head #8-32 x .375" (Mounting)
	20762.0000	2	Screw, Binding Head #8-32 x .25" (Terminal)
15	00720.0000	1	Knob, Thermostat
16	07073.0000	1	Grommet, Thermostat
17	21016.0131	1	Lead, Ground - GRN/YEL 7" LG
	01375.0000	1	Screw, Pan Head Brass 10-32 x .50"
	01512.0000	1	Lockwasher, Internal Tooth #10
18	00824.0000	2	Decal, Ground
19	22733.0000	1	Bracket, Support
	02308.0000	4	Screw, Pan Head 8-32 x .375"

(Continued)

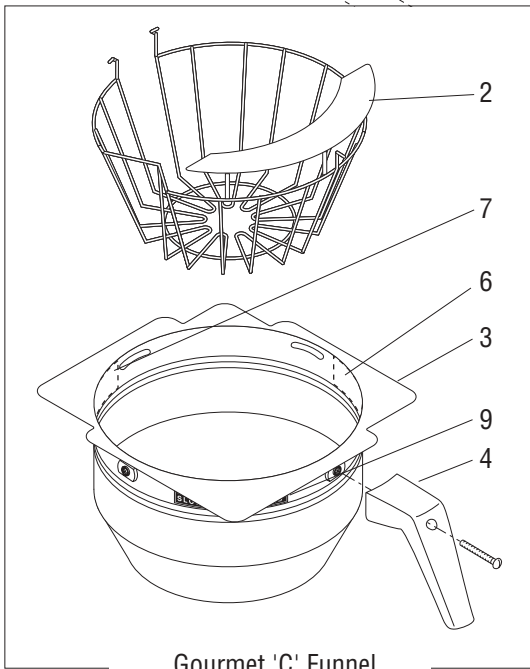
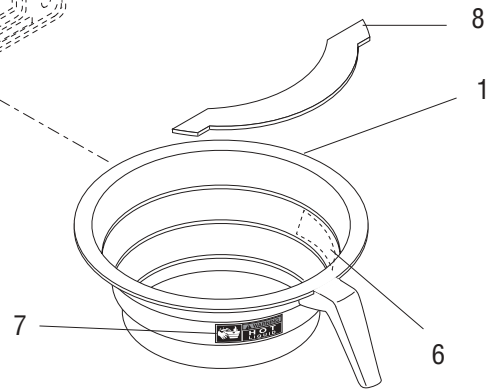
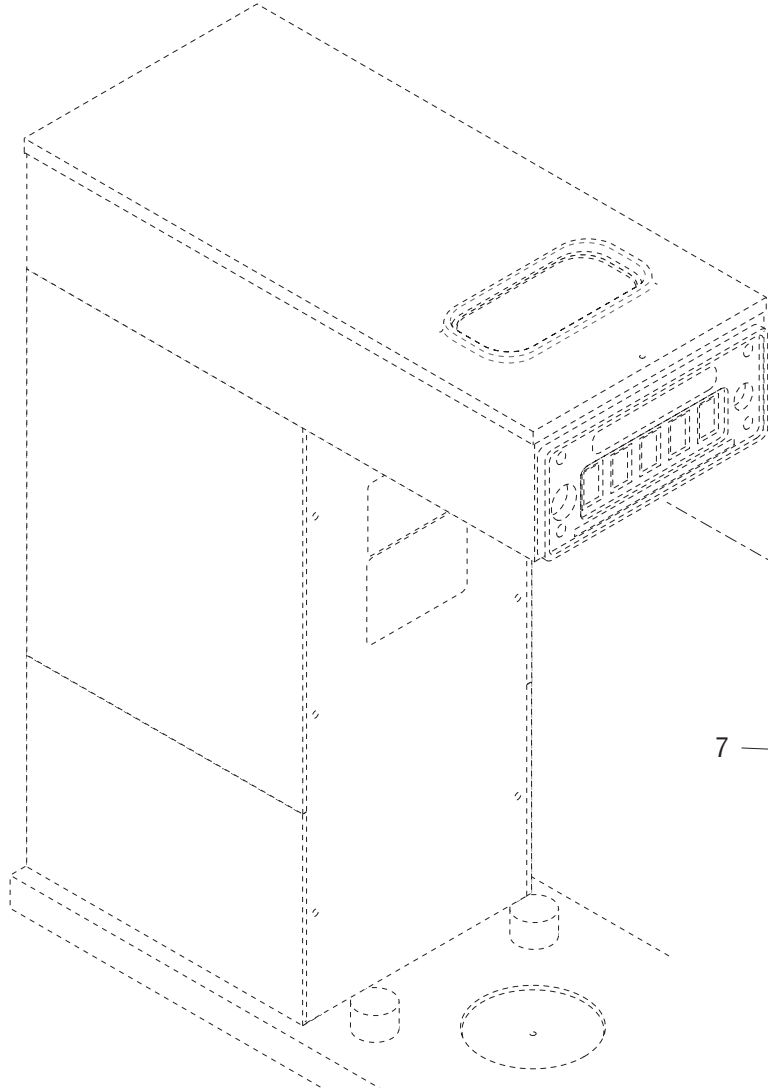
(Continued)



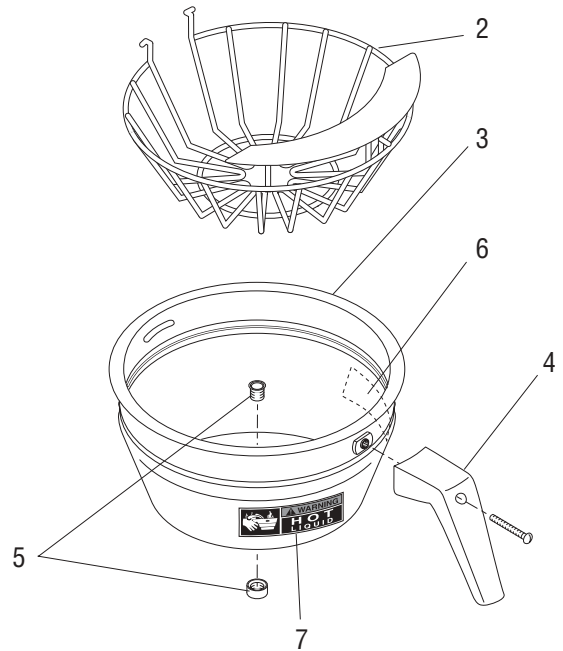
P1465.61

ELECTRICAL AND OPERATING CONTROLS

ITEM	PART NO.	QTY.	DESCRIPTION	
20	27705.0000	1	Terminal Lug	
	02308.0000	1	Screw, Pan Head #8-32 x .375"	
21	05746.0000	1	Bushing, Strain Relief	
22	28004.0000	1	Switch, Heater ON/OFF (Includes 24)	
23	25102.0001	1	Bracket, Switch Indicator/Guard	
24	23696.0000	1	Facenut, Hex.	
25	23697.0000	1	Facenut, Plastic	
26	28051.0000	1	Wiring Harness, Main 240V	<div style="display: flex; align-items: center;"> <div style="border-left: 1px solid black; border-right: 1px solid black; border-top: 1px solid black; border-bottom: 1px solid black; width: 100px; height: 100px; margin-right: 10px;"></div> Not Illustrated </div>
	27946.0000	1	Wiring Harness, Main 240V W/Warmer)	
27	12985.0003	1	Wiring Harness, Ready Light	
28	25347.0000	1	Wiring Harness, Thermostat	
29	12919.0000	12	Cap, Terminal (Use as required)	
30	13352.0008	1	Cap, Terminal, Ready Light (Use as required)	
31	32400.0001	-	Timer Kit, Digital (Replaces early model timer with Digital Timer)	

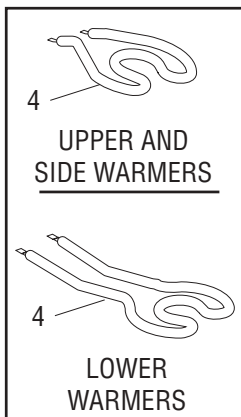
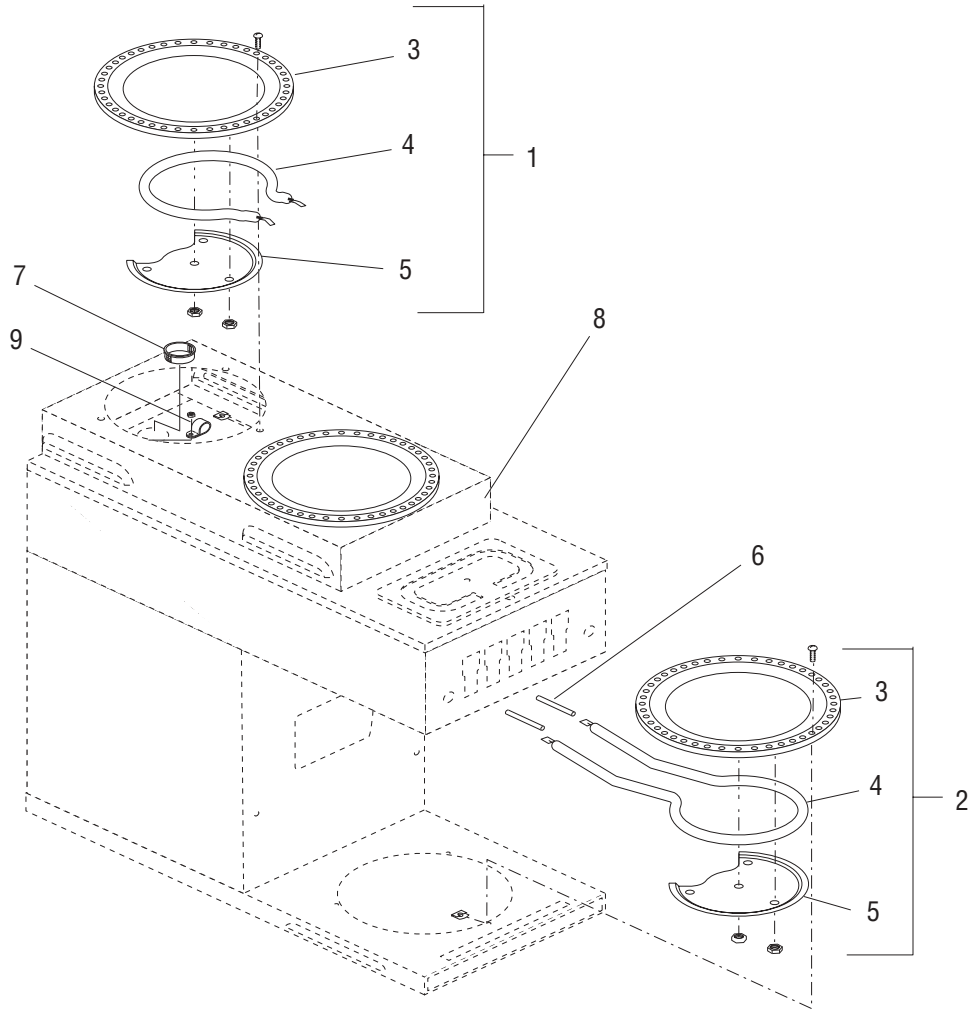


Gourmet 'C' Funnel



FUNNELS AND FILTER BASKET

ITEM	PART NO.	QTY.	DESCRIPTION
1	20583.0003	1	Funnel, Plastic (Black)(Includes items 6 & 7)
	20216.0000	1	Funnel, SST W/Black Handle (Includes items 2 thru 5)
	34559.0000	1	Funnel, Gourmet 'C' SST (7.125" Flange O.D.)(Includes items 2,3,4,6,7 & 9)
2	33088.0000	1	Filter Basket
	34546.0000	1	Filter Basket, Gourmet 'C'
3	28553.0000	1	Funnel W/Decals, SST (Includes items 6 & 7)
	34558.0000	1	Funnel, Gourmet 'C' SST
4	20244.1000	1	Handle Kit, Black (Includes mounting screw below)
	01331.0002	1	Screw, Round Head #10-32 x 1.50"
5	01031.0000	1	Funnel Tip Kit
6	03408.0002	1	Decal, Warning - Remove Funnel Slowly
7	03409.0002	1	Decal, Warning - Hot Liquid
8	32964.0000	1	Splashguard
9	28694.0000	1	Decal, Warning - Hot Liquid/Remove Funnel



WARMER ASSEMBLIES

ITEM	PART NO.	QTY.	DESCRIPTION
1	11440.0009	1	Warmer Assembly 100W 220V, Top Warmers (Includes items 3, 4 & 5)
	01303.0000	3	Screw, Pan Head - SST #4-40 x .50"
	01303.0001	3	Screw, Pan Head - Brass #4-40 x .50"
	00916.0000	3	Fastener, J-Type #4-40
2	11440.0008	1	Warmer Assembly 100W 220V, Base Warmers (Includes items 3, 4 & 5)
	01303.0000	3	Screw, Pan Head - SST #4-40 x .50"
	01303.0001	3	Screw, Pan Head - Brass #4-40 x .50"
	00916.0000	3	Fastener, J-Type #4-40
3	03656.0000	1	Warmer Dish, Blk 45 Hole
4	11438.0000	1	Warmer Element 100W 220V Base Warmers ("A" Models)
5	05212.0000	1	Plate, Element Retaining
	00970.0000	2	Nut, Keps #8-32
6	-----	2	Tube, Silicone .250" Dia x 1.88" LG. (Order Item 12)
7	-----	1	Bushing, Snap 1.188" Dia. (See Hood And Top Covers)
8	12364.0000	1	Decal, Warmers Are Hot
9	28382.0000	1	Clamp, Routing
	00908.0000	1	Nut, Hex #8-32 (Early Models)
	02332.0003	1	Screw, Hex-Crimptite #6-32 x .375" (Late Models)
10	21016.0131	1	Lead, Electrical, Lower Warmers GRN/YEL 07" LG
	21016.0027	2	Lead, Electrical, GRN/YEL 26" LG Top Warmer
11	12985.0003	1	Wiring Harness, One Lower, Two Upper Warmers, 230V
12	04828.1001	-	Tube, Silicone .250" Dia. x 24" LG (Use as required)

Not Illustrated

NUMERICAL INDEX

PART NO.	PAGE NO.	PART NO.	PAGE NO.	PART NO.	PAGE NO.	PART NO.	PAGE NO.
00400.0001	17	02765.0000	9	20583.0003	29	27727.0000	25
00402.0001	19,21	02858.0000	23	20615.0000	7	27904.0000	25
00459.0000	19,21	02999.0000	7,9,11	20616.0000	7	27928.1000	5
00463.0000	19,21	03408.0002	29	20690.0000	21	27929.0000	5
00606.0000	25	03409.0002	29	20691.0000	23	27946.0000	27
00656.0000	5	03656.0000	31	20691.0001	23	28004.0000	27
00658.0000	5	04118.0000	15,17	20762.0000	25	28005.0000	19,21
00670.0000	5	04133.0000	15,17	21016.0027	31	28007.0000	21
00720.0000	25	04221.0000	15,17	21016.0131	25,31	28009.0000	25
00754.0001	5	04270.0002	13	21717.0000	25	28010.0003	25
00824.0000	25	04314.0001	25	21814.0016	21	28010.0004	25
00831.0000	5	04637.1000	17	22249.0000	19,21	28010.0005	25
00833.0000	7	04776.0000	15	22289.0000	25	28020.0000	19,21
00908.0000	15,17,31	04828.1001	31	22289.0002	25	28021.0000	19,21
00912.0000	11,15,17	05212.0000	31	22300.0222	19,21	28051.0000	27
00916.0000	7,11,9,31	05515.0000	15,17	22306.0000	5	28233.0000	5
00942.0000	15,17	05518.0000	15,17	22733.0000	25	28382.0000	31
00943.0000	15,17	05746.0000	27	22740.0000	5	28526.1000	13
00970.0000	31	07038.0000	25	22748.0001	5	28553.0000	29
00973.0000	25	07073.0000	25	22918.0000	15	28694.0000	29
00988.0000	5	07441.0000	19	22918.0001	15,17	29329.1000	15,17
01031.0000	29	11431.0002	15,17	22999.0000	5	32063.0000	13
01075.0000	15,17	11438.0000	31	23227.1005	25	32400.0001	27
01082.0000	15,17	11440.0008	31	23227.1006	25	32400.0003	25
01082.0005	15,17	12364.0000	31	23227.1007	25	32540.0000	5
01154.0000	19,21	12645.0002	19,21	23318.0001	5	32964.0000	29
01155.0000	19,21	12687.0000	17	23319.0001	5	33088.0000	29
01201.0000	13	12688.0000	17	23321.0002	5	34061.1002	5
01212.0000	13	12689.1000	17	23321.0003	5	34061.1004	5
01303.0000	7,9,11,31	12698.0002	25	23696.0000	27	34081.1000	5
01303.0001	31	12914.0002	19,21	23697.0000	27	34546.0000	29
01315.0000	9,15,17	12915.0000	23	23721.0000	19,21	34558.0000	29
01317.0000	25	12919.0000	27	23768.0000	15,17	34559.0000	29
01319.0000	11	12919.0008	25	23769.0000	15		
01327.0000	19,21,25	12921.0000	25	24354.0000	19		
01331.0002	29	12928.0000	13,19,21	24356.0222	19		
01347.0000	25	12978.0000	7	24394.0222	21		
01375.0000	25	12981.0001	7	24600.0000	5		
01382.0000	5	12985.0003	27,31	25102.0001	27		
01426.0000	13	13053.0000	23	25137.0001	5		
01502.0000	19,21	13054.0000	23	25144.0002	5		
01510.0000	25	13055.0000	23	25144.0019	5		
01512.0000	25	13056.0000	23	25158.0002	15		
01532.0000	19,21,23	13057.0000	23	25158.0003	17		
01533.0003	25	13058.0000	23	25310.0001	11		
01592.0000	9	13059.0000	23	25324.1000	7		
01925.1000	15,17	13060.0000	23	25347.0000	27		
01927.0000	15,17	13061.0000	23	25352.0001	5		
02301.0000	25	13110.0000	7	25352.0007	5		
02308.0000	5,7,9,11,19,25	13350.0006	7,9,11	25353.0001	9		
02329.0000	21	13352.0008	27	26216.0000	21		
02332.0002	5	20211.0100	15,17	26217.0000	21		
02332.0003	31	20216.0000	29	26225.0000	5		
02367.0000	25	20244.1000	29	27514.0000	13		
02732.0000	9	20526.1222	19,21	27691.0001	25		
02722.0000	11	20577.0001	21	27705.0000	25		