

ECO-i™ Submittal Data



Building Life.

CHDZ09053

Heat Recovery: 8 tons VRF Outdoor Unit

Job Name: _____
 Location: _____
 Engineer: _____
 Submitted to: _____
 Submitted by: _____
 Reference: _____

Approval: _____
 Date: _____
 Construction: _____
 Unit #: _____
 Drawing #: _____



Compressor Warranty: 6 Years
Parts Warranty: 1 Year
Coil Coated to Protect Against Corrosion
Salt Protection also available



Capacities

Cooling: Btu/h 95,500
 Power Input: KW 8.12
 Heating: Btu/h 107,500
 Power Input: KW 7.97

Cooling Mode Nominal Conditions

Indoor: °F DB/°F WB 80/67
 Outdoor: °F DB 95
 Pipe Length (feet): 25
 Level Difference (feet): 0

Heating Mode Nominal Conditions

Indoor: °F DB 70
 Outdoor: °F DB/ °F WB 47/43
 Pipe Length (feet): 25
 Level Difference (feet): 0

Operating Range

Cooling: °F DB: 14 to 109
 Heating: °F DB: -4 to 59

Compressor

Quantity/Type: 1 Inverter driven rotary & 1 fixed speed scroll
 Capacity Control Range: 10-100%

Fan

Quantity/Type: 1 Propeller
 Fan Motor Output (KW): 0.7

Power Supply

V/PH/Hz. 208-230 / 3 / 60
 Minimum circuit Amps (MCA): Amps 37
 Max. Overcurrent Protection (MOCP): 50

Weight (lbs):

657

Refrigerant:

410A

Coil

Coil Face Area (sq. ft.): 22.5
 Number of Rows: 4

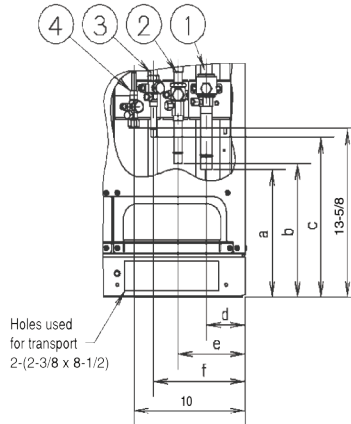
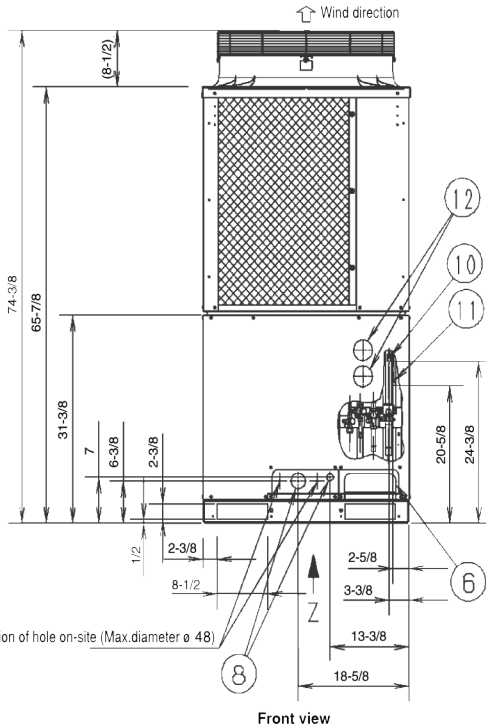
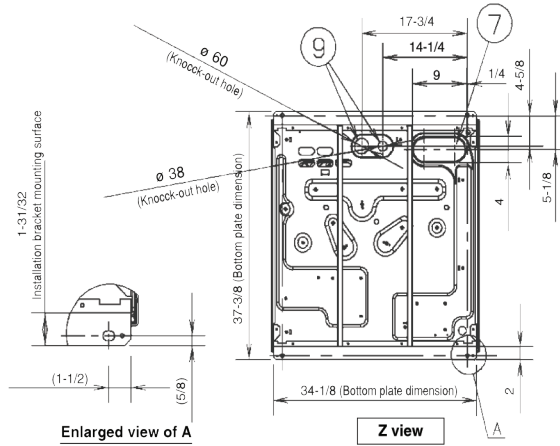
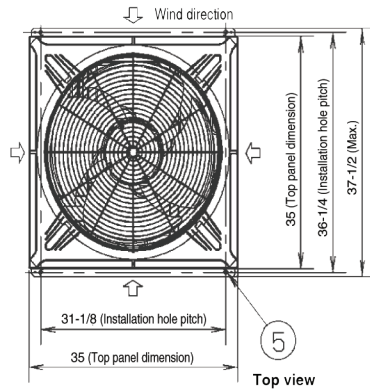
Protection Devices

High Pressure Switch: Yes
 Overcurrent (CT Method): Yes
 Crankcase Heaters (W): 25 + 32

External Finish:

Electrostatic Powder Coating

→→→ Dimensions



Space for creation of hole on-site (Max. diameter ϕ 48)

Table of Measurements for Refrigerant Tube Connection

Equivalent horsepower	Size (In.)					
	a	b	c	d	e	f
10	6-1/2	6-7/8	12-7/8	3-1/2	6	8-1/4
16	7-1/8	7-1/4	12-7/8	3-1/2	6	8-1/4

* Measurements for assume that the supplied connection tubing is used.

		10hp	16hp
①	Refrigerant (suction tube)	brazed connection ϕ 7/8"	ϕ 1-1/8"
②	Refrigerant (discharge tube)	brazed connection ϕ 3/4"	ϕ 7/8"
③	Refrigerant (liquid tube)	brazed connection ϕ 3/8"	ϕ 1/2"
④	Refrigerant (balance tube)	brazed connection ϕ 3/8"	ϕ 3/8"
⑤	Installation holes (4 – 15x 20 elongated holes), anchor bolts M12 or larger		
⑥	Refrigerant (front: knockout hole and slit)		
⑦	Tubing port (bottom: hole with cover)		
⑧	Electrical wiring port (front: ϕ 60, ϕ 28 knock-out holes – for conduit connection)		
⑨	Electrical wiring port (bottom: ϕ 60, ϕ 38 knock-out holes – for conduit connection)		
⑩	Pressure outlet port (for high pressure: ϕ 7.94 Schrader-type connection)		
⑪	Pressure outlet port (for low pressure: ϕ 7.94 Schrader-type connection)		
⑫	Knock-out hole for connecting pressure gauge (optional)		