
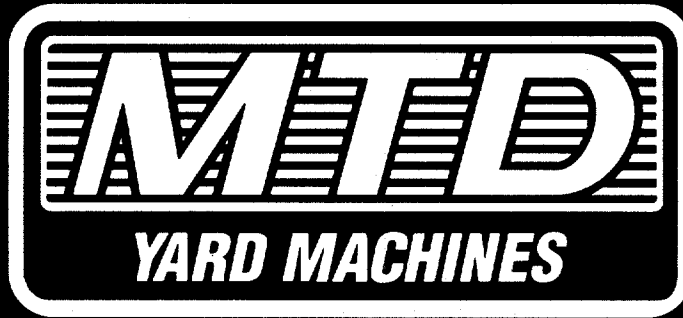


ILLUSTRATED PARTS

AMERICAN  AMERICAN
M A D E O W N E D
OUTDOOR POWER EQUIPMENT

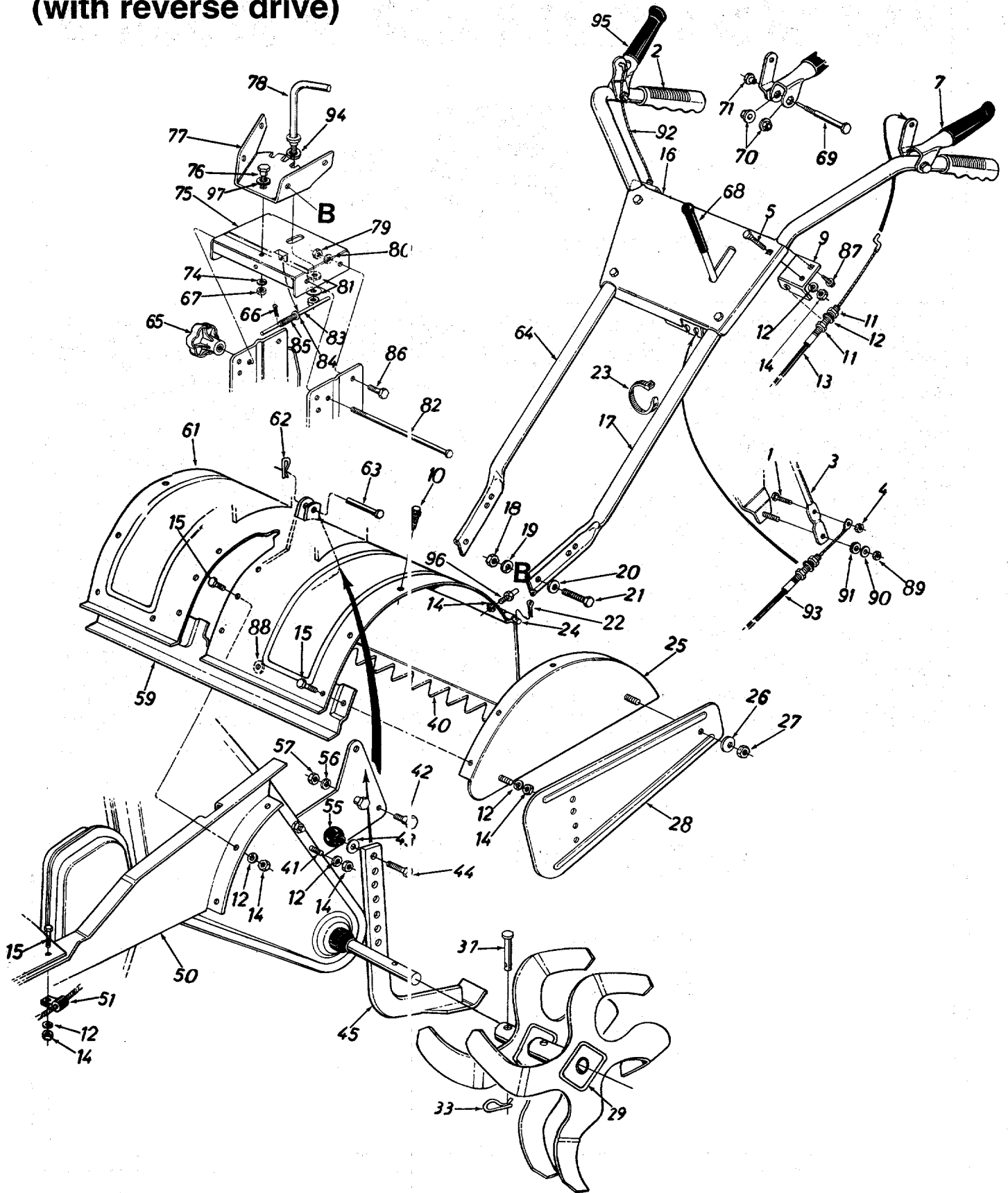


1995

REAR TINE TILLERS

Model Number	Pages
215-406-000.....	2 - 7
215-410-000.....	8 - 12
215-420-000.....	10 - 14
215-430-000.....	15 - 19
215-447-401.....	20 - 24

Model 406 (with reverse drive)



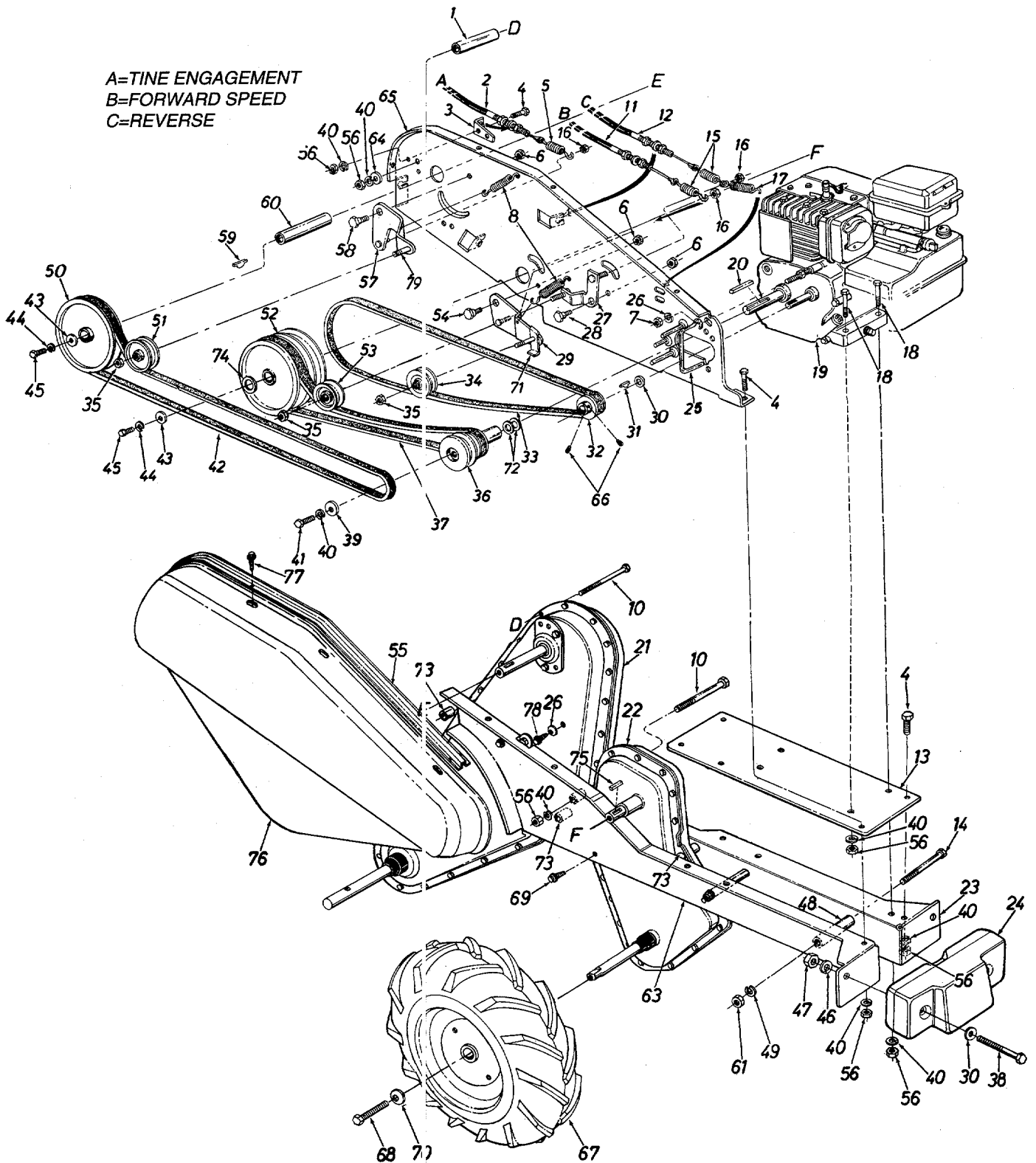
Model 406

PARTS LIST FOR MODEL 406 TILLER

REF. NO.	PART NO.	CODE	DESCRIPTION	REF. NO.	PART NO.	CODE	DESCRIPTION
1	710-0412		Hex Bolt 1/4-28 x .75" Lg.*	56	736-0169		L-Wash. 3/8" I.D.*
2	720-0180		Grip	57	712-0798		Hex Nut 3/8-16 Thd.*
3	747-0517		Clutch Lever	59	15393		Brkt. Reinforcement
4	712-0117		Hex Cent. L-Nut 1/4-28 Thd.	61	784-0026		Tine Shield Ass'y.
5	710-0458		Carr. Bolt 5/16-18 x 1.75**	62	714-0149B		Hairpin Cotter
7	784-0031		Clutch Grip Ass'y.—L.H.	63	711-0415		Clevis Pin 3/8" Dia.
9	15093C		Clutch Cable Bracket	64	749-0642A		Handle—R.H.
10	710-0607		Hex Wash. S-Tap Scr. 5/16-18 x .62" Lg.	65	720-0195		Hand Knob
11	712-0256		Hex Nut 5/16-24 Thd.	66	714-0127		Cotter Pin 1/16" Dia. x .75**
12	736-0119		L-Wash. 5/16" I.D.*	67	712-0375		Hex Cent. L-Nut 3/8-16 Thd.
13	746-0535		Clutch Control Cable (Tines)	68	720-0143		Grip
14	712-0267		Hex Nut 5/16-18 Thd.*	69	738-0575		Shoulder Bolt .375" Dia. x 1.37" Lg.
15	710-0118		Hex Bolt 5/16-18 x .75" Lg.*	70	741-0402		Hex Flange Plastic Bearing
16	686-0076	N	Handle Panel Ass'y.	71	738-0561		Shoulder Nut 1/4-20 Thd.
17	749-0643A		Handle—L.H.	74	736-0219		Bell-Wash. .40" I.D. x 1.13"
18	712-0798		Hex Nut 3/8-16 Thd.*	75	784-0022		Handle Pivot Bracket
19	736-0169		L-Wash. 3/8" I.D.*	76	738-0322		Shoulder Bolt 5/8" Dia. x .22" Lg.
20	736-0105		Bell-Wash. 3/8" I.D.	77	784-0019		Handle Mtg. Bracket
21	710-0253		Hex Bolt 3/8-16 x 1" Lg.*	78	784-0025		Adj. Handle Ass'y.
22	714-0507		Cotter Pin 3/32" Dia. x 3/4**	79	712-0375		Hex Cent. L-Nut 3/8-16 Thd.
23	725-0157		Cable Tie	80	736-0105		Bell-Wash. .40" I.D. x .88"
24	747-0432		Tiller Flap Rod	81	736-0253		Bell-Wash. 1/2" I.D. x 1.00"
25	14989		End Cover Ass'y.—L.H.	82	711-0765		Lock Pin 5/16" Dia. x 8"
	14990		End Cover Ass'y.—R.H. (Not Shown)	83	784-0023		Lower Sliding Ass'y.
26	736-0242		Bell-Wash. 5/16" I.D.	84	736-0463		FI-Wash. .291" I.D. x .62"
27	712-0267		Hex Nut 5/16-18 Thd.*	85	732-0145		Compression Spring 1" Lg.
28	15390		Side Shield	86	738-0147		Shoulder Bolt 1/2" Dia. x .170" Lg.
29	642-0015		L.H. Tine Ass'y. Comp.	87	710-0599		Hex Wash. S-Tap Scr. 1/4-20 x .50" Lg.
	642-0016		R.H. Tine Ass'y. Comp.				Bell-Wash. 5/16" I.D.
33	714-0149B		Hairpin Cotter	88	736-0242		Hex Cent. L-Nut 5/16-18 Thd.
37	711-0415		Clevis Pin 3/8" Dia.	89	712-0158		FI-Wash. .344" I.D. x .87"
40	14979		Tine Shield Flap	90	736-0159		Rubber Wash. .33 I.D. x .87"
41	710-0736		Hex Bolt 5/16-18 x 1.0" Lg.*	91	735-0126		Control Cable (Forward)
42	738-0507B		Shld. Bolt 1/2" Dia. x .43"	92	746-0496		Control Cable (Reverse)
43	736-0117		FI-Wash. 3/8" I.D. x 5/8" O.D.	93	746-0571		FI-Wash. .62" I.D. x 1.57"
44	710-0216		Hex Bolt 3/8-16 x 3/4" Lg.*	94	736-0285		Clutch Grip Ass'y.—R.H.
45	786-0120		Depth Bar Ass'y.	95	784-0270		Hex Bolt 5/16-18 Thd. (Special)
50	14975	638	Frame Rail—L.H.	96	738-0849		FI-Wash. .64" I.D. x .94"
51	726-0175		Clamp 5/16" Dia.	97	736-0256		
55	720-0165		Ball Knob 1 1/4" Dia.				

*For faster service obtain standard nuts, bolts and washers locally.
If these items cannot be obtained locally, order by part number
and size as shown on parts list.

Model 406 (with reverse drive)



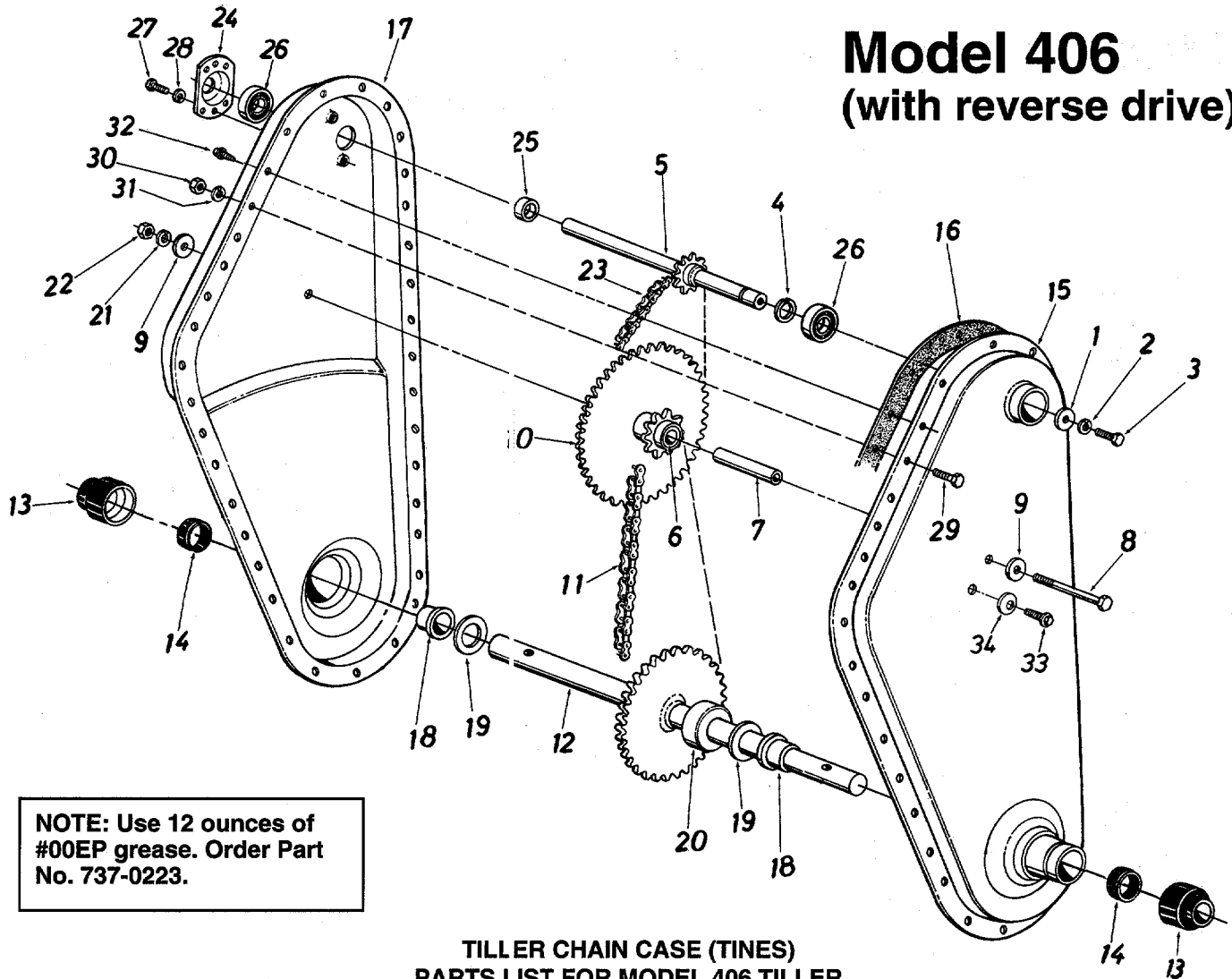
Model 406 (with reverse drive)

PARTS LIST FOR MODEL 406 TILLER

REF. NO.	PART NO.	CODE	DESCRIPTION	REF. NO.	PART NO.	CODE	DESCRIPTION
1	750-0219		Spacer .375" I.D. x .5" O.D. x 2" Lg.	41	710-0117		Hex Bolt 5/16-24 x 1.00" Lg.*
2	746-0535		Clutch Control Cable (Tines)	42	754-0195A		"V"-Belt
3	15093C		Clutch Cable Bracket	43	736-0176		FI-Wash. 1/4" I.D. x .93" O.D.
4	710-0118		Hex Bolt 5/16-18 x .75" Lg.*	44	736-0329		L-Wash. 1/4" I.D.*
5	732-0387		Extension Spring .50" O.D. x 2.5" Lg.	45	710-0412		Hex Bolt 1/4-28 x .75" Lg.
6	712-0266		Hex Cent. L-Nut 3/8-16 Thd.	46	736-0921		L-Wash. 1/2" I.D.*
7	712-0287		Hex Nut 1/4-20 Thd.*	47	712-0206		Hex Nut 1/2-13 Thd.*
8	732-0445		Extension Spring .50" O.D. x 1.55" Lg.	48	750-0579		Spacer .38" I.D. x .62" O.D. x 2.18" Lg.
10	710-0189		Hex Bolt 5/16-18 x 3" Lg.*	49	736-0169		L-Wash. 3/8" I.D.*
11	746-0496		Clutch Control Cable 42" Lg. (Forward)	50	756-0389A		FI-Pulley w/Flanges 6" O.D.
12	746-0571		Clutch Control Cable 42" Lg. (Reverse)	51	756-0405		FI-Idler w/Flanges 3.75" O.D.
13	14973		Engine Mounting Plate	52	756-0464		Double FI-Pulley 5/8" I.D.
14	710-0830		Hex Bolt 3/8-24 x 3" Lg.	53	756-0313		FI-Idler w/Flanges 2.12" O.D.
15	—		Springs (Part of Ref. No. 11 and 12)	54	738-0147		Shld. Bolt .500" Dia. x .170" Lg.
16	712-0107		Hex Cent. L-Nut 1/4-20 Thd.	55	784-0140		Flange Extension
17	732-0486		Extension Spring .41" O.D. x 2.05" Lg.	56	712-0267		Hex Nut 5/16-18 Thd.*
18	710-0442		Hex Bolt 5/16-18 x 1.5" Lg.*	57	784-0129		Idler Brkt. Ass'y.—Tines
19	—		Engine	58	738-0183		Shld. Bolt .500" Dia. x .215" Lg.
20	714-0105		Sq. Key 3/16 x 1.00" Lg.	59	714-0388		#61 Hi-Pro-Key 3/16" x 5/8" Dia.
21	784-0106		Chain Case Comp.—Tines	60	750-0551		Spacer .647" I.D. x 2.75" Lg.
22	686-0069		Chain Case Comp.—Wheels	61	712-0241		Hex Nut 3/8-24 Thd.*
23	14975		Frame Rail—L.H.	63	14974		Frame Rail—R.H.
24	723-0340		Counterweight 35#	64	736-0185		FI-Wash. .406" I.D. x .75"
25	747-0507		Belt Keeper	65	14991		Side Plate Ass'y.
26	736-0270		Bell-Wash. .265" I.D. x .75" O.D.	66	710-0938		Set Scr. 1/4-28 x .25" Lg.
27	784-0131		Idler Brkt. Ass'y. (Wheel Reverse)	67	734-1378		R.H. Wheel Ass'y. Comp. 13 x 5
28	738-0147		Shld. Bolt .500" Dia. x .170		734-1377		L.H. Wheel Ass'y. Comp. 13 x 5
29	14969		Idler Brkt. Ass'y. (Wheel Forward)		734-1154		(Not Shown)
30	736-0326		FI-Wash. .51" I.D. x 1.0"		734-1376		Tire Only
31	714-0131		#5 Hi-Pro-Key 1/8" x 5/8" Dia.		734-1376		Rim Only
32	756-0386A		1/2" V-Pulley 2.25" O.D. x .503" I.D.		734-0255		Air Valve
33	754-0109		"V"-Belt	68	710-0237		Hex Bolt 5/16-24 x .62" Lg.*
34	756-0166		"V"-Belt Idler 2.62" O.D.	69	710-0600		Hex Self-Tap Scr. 5/16-24 x .5" Lg.
35	712-0116		Hex Ins. L-Nut 3/8-24 Thd.	70	736-0242		Bell-Wash. 5/16" I.D.
36	756-0465		1/2" "V"-Pulley Ass'y.	71	15399		Belt Keeper Brkt.
37	754-0190		"V"-Belt	72	736-0351		FI-Wash. .76" I.D. x 1.5"
38	710-0786		Hex Bolt 1/2-13 x 4" Lg.*	73	750-0470		Spacer .326" I.D. x .47" O.D. x .96" Lg.
39	736-0231		FI-Wash. .344" I.D. x 1.125"	74	736-0366		FI-Wash. 5/8" I.D. x 1" O.D.
40	736-0119		L-Wash. 5/16" I.D.*	75	714-0122		Sq. Key 3/16 x .75" Lg.
				76	14980A		Belt Cover
				77	710-0599		Hex Self-Tap Scr. 1/4-20 x .5" Lg.
				78	710-0653		Hex Wash. S-Tap Scr. 1/4-20 x .38" Lg.
				79	710-0191		Hex Bolt 3/8-24 x 1.25" Lg.*

*For faster service obtain standard nuts, bolts and washers locally. If these items cannot be obtained locally, order by part number and size as shown on parts list.

Model 406 (with reverse drive)

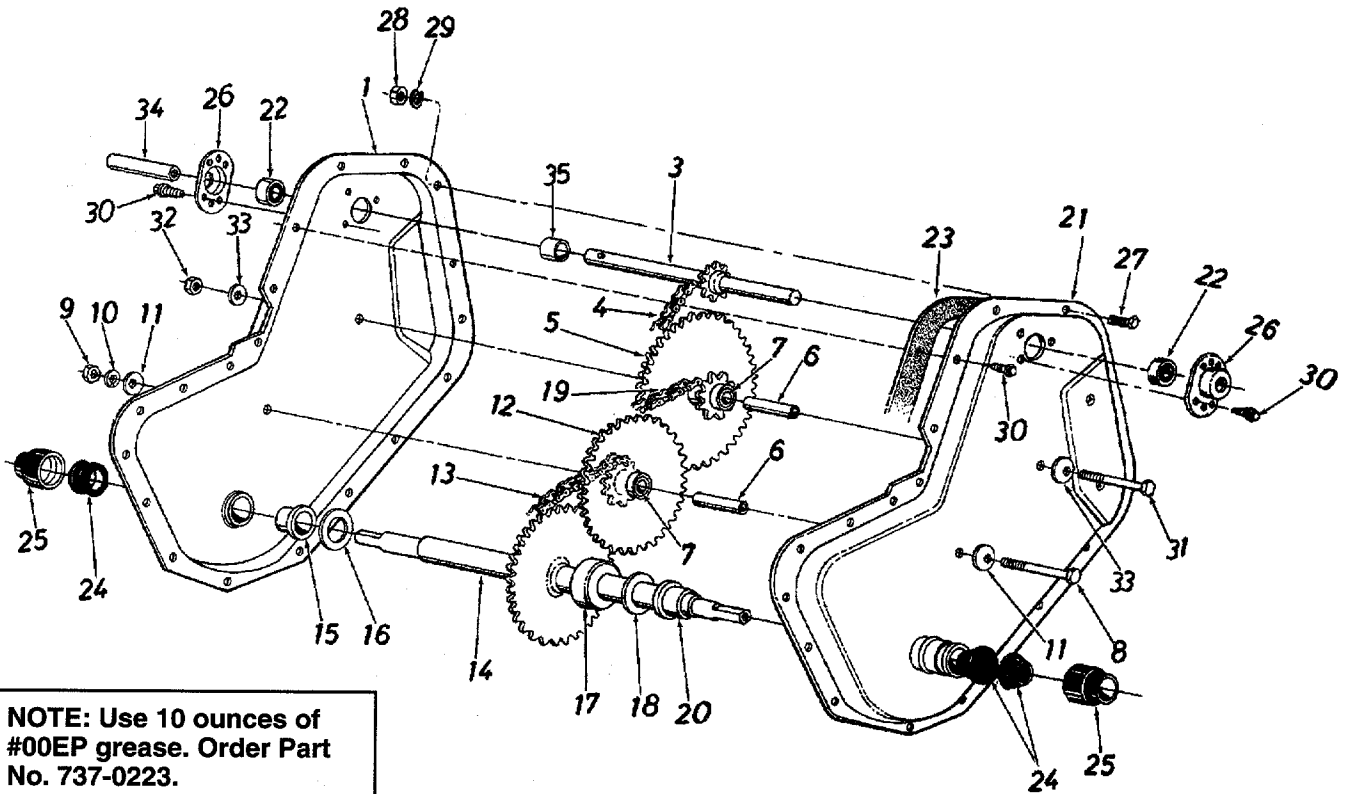


NOTE: Use 12 ounces of #00EP grease. Order Part No. 737-0223.

TILLER CHAIN CASE (TINES) PARTS LIST FOR MODEL 406 TILLER

REF. NO.	PART NO.	CODE	DESCRIPTION	REF. NO.	PART NO.	CODE	DESCRIPTION
1	736-0176		Fl-Wash. 1/4" I.D. x .93" O.D.	20	750-0570		Step Spacer
2	736-0329		L-Wash. 1/4" I.D.*	21	736-0169		L-Wash. 3/8" I.D.*
3	710-0513		Hex Bolt 1/4-28 x .62" Lg. w/Patch	22	712-0711		Hex Nut 3/8-24 Thd.*
4	716-0131		External Snap Ring—5'8" Dia.	23	713-0327		#35 Chain 3/8" Pitch x 52 Links Endless
5	784-0139		Input Shaft Ass'y.	24	05034A		Bearing Housing 1.38" I.D.
6	741-0304		Bearing 5/8" I.D. x 3/4" O.D. x 1.860" Lg.	25	750-0471		Spacer
7	750-0275		Sprocket Hub Tubing 3/8" I.D. x 5/8" O.D. x 1.90	26	741-0155		Ball Bearing .625" I.D. x 1.38" O.D. x .437
8	710-0629		Hex Bolt 3/8-24 x 2.75" Lg.*	27	710-0599		Hex Wash. SF-Tap Scr. 1/4-20 x .50" Lg.
9	736-0258		Fl-Wash. 3/8" I.D. x 1.25"	28	736-0329		L-Wash. 1/4" I.D.*
10	713-0331		Sprocket Ass'y.	29	710-0118		Hex Bolt 5/16-18 x .75" Lg.*
11	713-0328		#50 Chain 5/8" Pitch x 46 Links Endless	30	712-0267		Hex Nut 5/16-18 Thd.*
12	14986		Tine Shaft Ass'y.	31	736-0119		L-Wash. 5/16" I.D.*
13	731-0487		Dust Cup	32	710-0599		Hex Wash. SF-Tap Scr. 1/4-20 x .50" Lg.
14	721-0175		Seal Ring Single Lip	33	710-0653		Hex Wash. Hd. Tap Scr. 1/4-20 x .38" Lg.
15	14984		Ass'y. Tiller Housing—R.H.	34	736-0270		Bell-Wash. .265" I.D. x .75"
16	721-0170		Gasket	—	737-0223		Grease—#00EP (16 oz. Bottle-12 oz. Req'd.)
17	14985		Ass'y. Tiller Housing—L.H.	—	784-0106		Tine Chain Case Comp.
18	731-0374		Flange Brg. 1.00" I.D.				
19	736-0163		Fl-Thrust Wash. 1.0" I.D. x .03 Thk.				

Model 406 (with reverse drive)

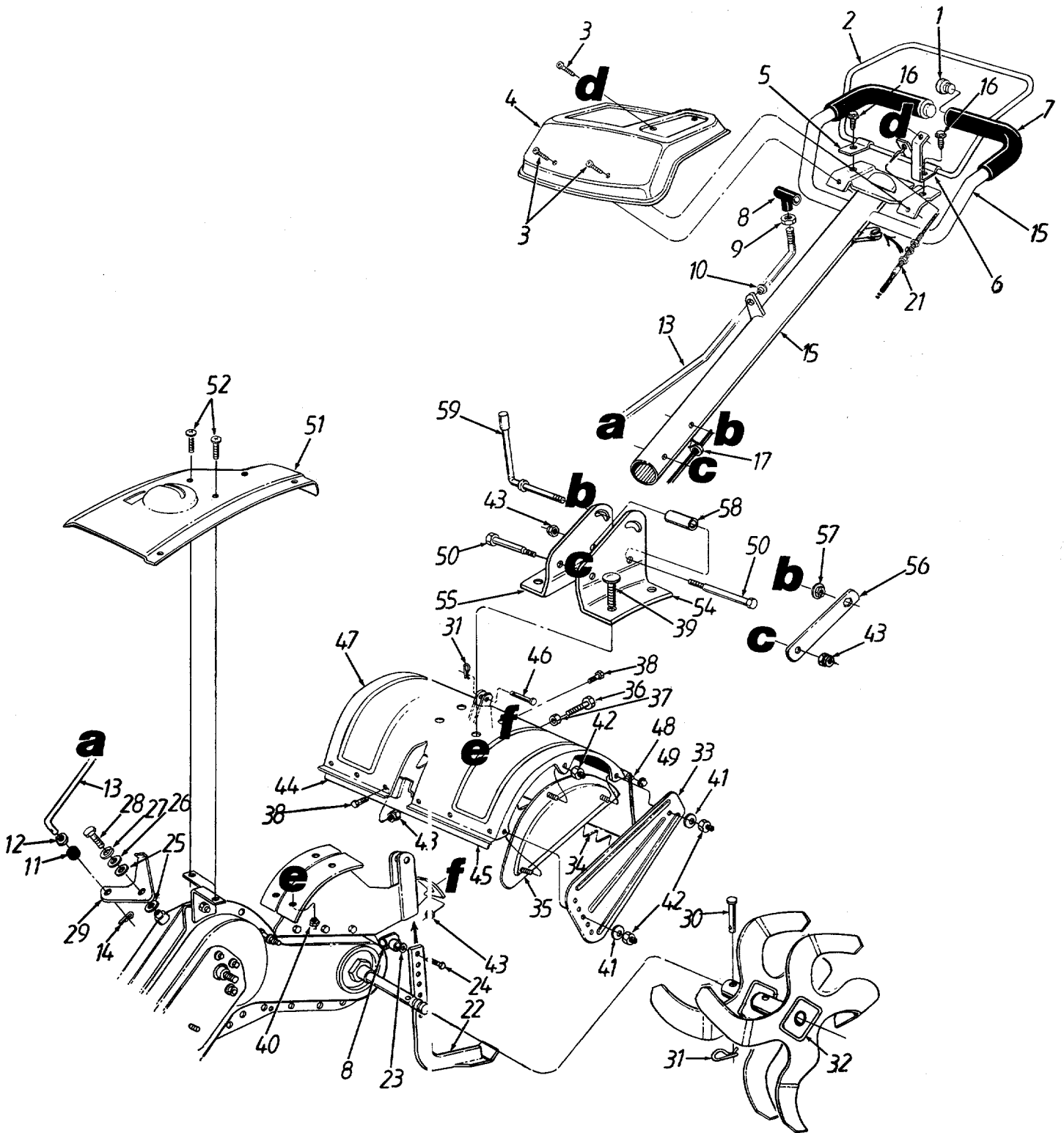


NOTE: Use 10 ounces of #00EP grease. Order Part No. 737-0223.

TILLER CHAIN CASE (WHEELS) PARTS LIST FOR MODEL 406 TILLER

REF. NO.	PART NO.	CODE	DESCRIPTION	REF. NO.	PART NO.	CODE	DESCRIPTION
1	686-0066		Chain Case Half Ass'y.—R.H.	19	713-0267		#420 Chain 1/2" Pitch x 30
2	748-0154		Bearing 5/8" I.D. x .813" O.D. x 1.31" Lg.	20	741-0227		Links Endless
3	784-0136A		Input Shaft Ass'y.	21	15797		Flange Bearing
4	713-0325		Chain #35—3/8" Pitch x 44 Links	22	741-0155		Chain Case Half Ass'y.—L.H.
5	713-0316		Sprocket and Hub Ass'y.	23	721-0156		Bearing
6	750-0351		Bearing Inner Axle	24	721-0157		Gasket
7	741-0228		Sleeve Brg. 5/8" I.D. x 3/4" O.D. x 1.50	25	731-0486		Seal
8	710-0369		Hex Bolt 3/8-24 x 2.50" Lg.*	26	05034A		Dust Cup
9	712-0116		Hex Ins. L-Nut 3/8-24 Thd.	27	710-0195		Bearing Housing
10	736-0169		L-Wash. 3/8" I.D.*	28	712-0138		Hex Bolt 1/4-28 x 5/8" Lg.
11	736-0219		Bell-Wash. .41" I.D. x 1.13" O.D. x .03	29	736-0329		Hex Nut 1/4-28 Thd.
12	713-0330		Sprocket & Hub Ass'y. 9T-22T	30	710-0599		L-Wash. 1/4" I.D.*
13	713-0326		#420 Chain 1/2 Pitch x 28 Links Endless	31	710-0378		Hex Wash. S-Tap Scr. 1/4-20 x .50" Lg.
14	784-0126A		Wheel Shaft Ass'y.	32	712-0158		Hex Bolt 5/16-18 x 2.5" Lg.
15	741-0227		Flange Bearing	33	736-0159		Hex Cent. L-Nut 5/16-18 Thd.
16	736-0265		Fl-Wash. .88" I.D. x 1.5" O.D. x .03	34	750-0917		Fl-Wash. 5/16" I.D.
17	750-0354A		Spacer 7/8" I.D. x 13/4" O.D. x .68" Lg.	35	750-0916		Spacer .64" I.D. x 1.76" Lg.
18	736-0265		Fl-Wash. .88" I.D. x 1.50" O.D. x .03	—	737-0223		Spacer .64" I.D. x .45" Lg.
				—	686-0069		Grease—#00EP (16 oz. Bottle-10 oz. Req'd.)
							Wheel Chain Case Comp.

Model 410

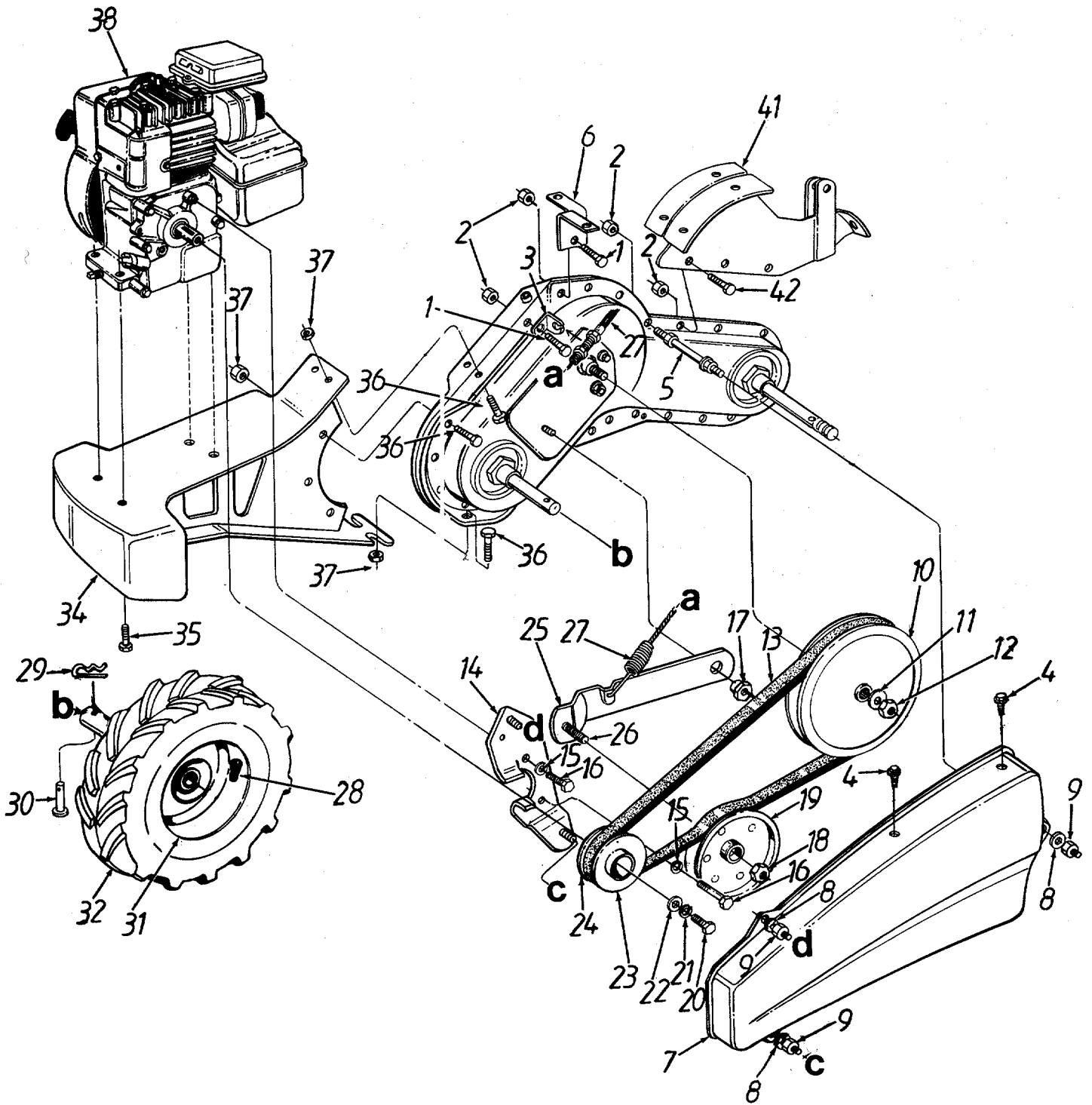


Model 410

PARTS LIST FOR MODEL 410 REAR TINE TILLER

REF. NO.	PART NO.	CODE	DESCRIPTION	REF. NO.	PART NO.	CODE	DESCRIPTION
1	735-0246		Vinyl End Plug	32	642-0015		Tine Ass'y.—L.H.
2	647-0014		Clutch Control Ass'y.		642-0016		Tine Ass'y.—R.H. (Not Shown)
3	710-1017		Torx Mach. AB-Tap Scr. 1/4 x .62" Lg.	33	786-0090		Side Shield
4	786-0131	N	Handle Cover	34	786-0113		Rear Tine Shield
5	786-0098		Retaining Brkt.—R.H.	35	686-0044		End Cover Ass'y.
6	786-0118		Retaining Brkt.—L.H.	36	710-0528		Hex Cap Bolt 5/16-18 x 1.25" Lg.
7	720-0278		Grip (2 Req'd.)	37	712-0267		Hex Nut 5/16-18 Thd.
8	720-0210A		Knob	38	710-0118		Hex Bolt 5/16-18 x .75" Lg.
9	712-3008		Hex Jam Nut 3/8-16 Thd.	39	710-3097		Carriage Bolt 3/8-16 x 1" Lg.
10	735-0228		Bushing 3/8" I.D.	40	712-0130		Hex Ins. L-Nut 3/8-16 Thd.
11	735-0127		Rubber Washer	41	736-0242		Bell-Wash. .345" I.D. x .88" O.D.
12	736-0204		Fl-Wash. .344" I.D. x .6" O.D.	42	712-0419		Hex Cap L-Nut 5/16-18 Thd.
13	747-0902		Gear Shift Rod	43	712-3004A		Hex Flange Top L-Nut 5/16-18 Thd.
14	714-0104		Hairpin Clip	44	786-0076		Tine Shield Brkt.—R.H.
15	649-0006		Handle Ass'y.	45	786-0077		Tine Shield Brkt.—L.H.
16	710-0599		Hex Wash. Hd. TT-Tap Scr. 1/4-20 x .5" Lg.	46	711-0415		Clevis Pin .375" Dia.
17	726-0330		Cable Clip	47	786-0085		Tine Shield
21	746-0916		Clutch Cable	48	747-0432		Tiller Flap Rod
22	786-0120		Depth Bar	49	726-0106		Cap Speed Nut
23	736-0117		Fl-Wash. 3/8" I.D. x 5/8" O.D.	50	710-0189		Hex Bolt 5/16-18 x 3" Lg.
24	710-0216		Hex Bolt 3/8-16 x .75" Lg.	51	786-0101		Shift Cover
25	717-0234		Washer 1" O.D. (Hdn.)	52	710-1017		Torx Mach. AB-Tap Scr. 1/4 x .6"
26	736-0173		Fl-Wash. .281" I.D. x .73" O.D.	54	786-0109		Handle Brkt.—L.H.
27	736-0329		L-Wash. 1/4" I.D.*	55	786-0108		Handle Brkt.—R.H.
28	710-0751		Hex Bolt 1/4-20 x .62" Lg. (Gr. 5)	56	784-0191		Hex Nut Retainer Brkt.
29	786-0095		Shift Brkt.	57	712-0379		Hex Flange Nut 3/8-24 Thd.
30	711-0415		Clevis Pin	58	750-0885		Spacer .322 Dia.
31	714-0149B		Hairpin Clip	59	784-0190		Handle Adjustment Crank

Models 410 and 420

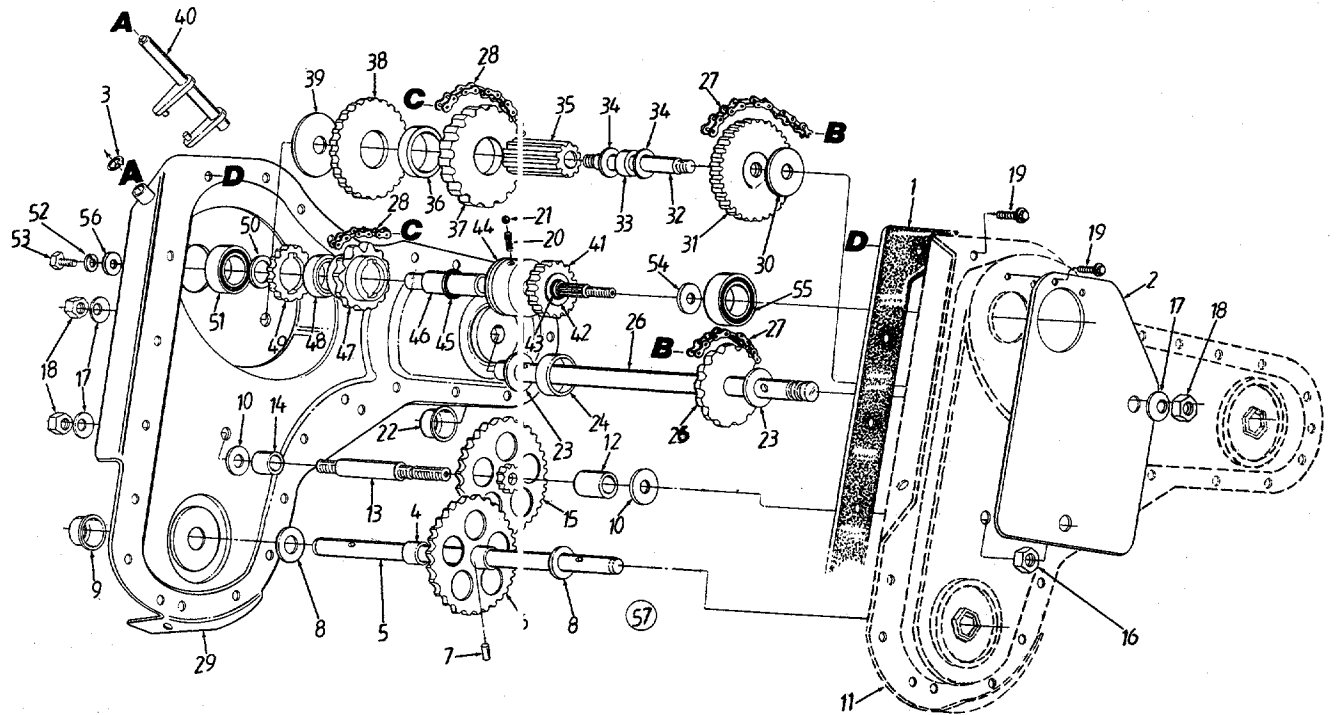


Models 410 and 420

PARTS LIST FOR MODELS 410 AND 420 REAR TINE TILLERS

REF. NO.	PART NO.	CODE	DESCRIPTION	REF. NO.	PART NO.	CODE	DESCRIPTION
1	710-0118		Hex Bolt 5/16-18 x .75" Lg.	24	756-0971		Inner Engine Pulley Half
2	712-3004A		Hex Flange Top L-Nut 5/16-18 Thd.	25	786-0080		Idler Bracket
3	786-0107		Cable Mtg. Bracket	26	710-0723		Hex Cap Bolt 3/8-16 x 1.25" Lg.
4	710-1017		Torx Mach. AB-Tap Scr. 1/4 x .6" Lg.	27	746-0916		Clutch Cable
5	738-0899		Belt Cover Bolt	28	734-0255		Air Valve
6	786-0117		Shift Cover Bracket	29	714-0104		Hairpin Clip
7	786-0100		Belt Cover	30	711-1017		Clevis Pin
8	736-0142		FI-Wash. .281" I.D. x .5" O.D.	31	634-0112		Rim Only (410)
9	712-0392		Hex Cap Nut 1/4-28 Thd.		634-0108		Rim Only (420)
10	756-0634		Flat Pulley 8" O.D.	32	634-0110		Wheel Ass'y. Comp.—R.H. (410)
11	736-0105		Bell-Wash. .38" I.D. x .88" O.D.		634-0111		Wheel Ass'y. Comp.—L.H. (410)
12	712-0130		Hex Ins. L-Nut 3/8-16 Thd.		634-0106		Wheel Ass'y. Comp.—R.H. (420)
13	754-0438		"V"-Belt		634-0107		Wheel Ass'y. Comp.—L.H. (420)
14	686-0031		Belt Keeper Brkt.		734-1796		Tire Only (410)
15	736-0119		L-Wash. 5/16" I.D.	34	734-0808		Tire Only (420)
16	710-0237		Hex Bolt 5/16-24 x .62" Lg.	35	619-0009		Frame Counterweight
17	738-0876		Shld. Nut		710-1007		Hex L-Wash. TT-Tap Scr. 3/8-16 Thd.
18	712-0266		Hex Jam L-Nut 3/8-16 Thd.	36	710-3002		Hex Cap Bolt 5/16-18 x 1" Lg. (Gr. 5)
19	756-0405		FI-Idler w/Flanges	37	712-3004A		Hex Flange L-Nut 5/16-18 Thd.
20	710-0152		Hex Bolt 3/8-24 x 1" Lg.	38	—		Engine
21	736-0217		L-Wash. 3/8" I.D.	41	686-0043		Tine Shield Brkt. Ass'y.
22	736-0258		FI-Wash. 3/8" I.D. x 1" O.D.	42	710-3038		Hex Cap Bolt 5/16-18 x 7/8" Lg.
23	756-0972		Outer Engine Pulley Half				

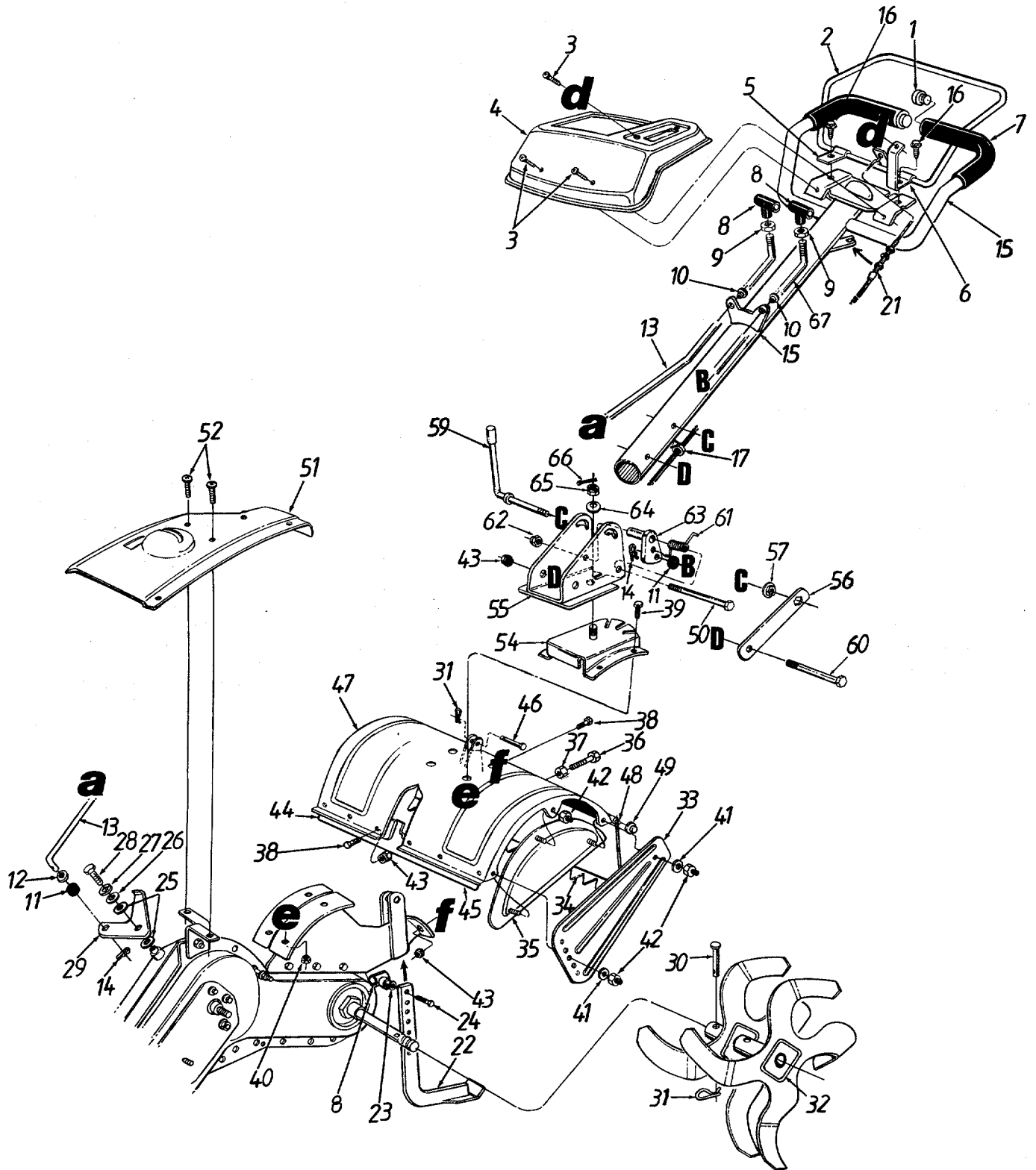
Models 410 and 420



PARTS LIST FOR MODELS 410 AND 420 REAR TINE TILLERS

REF. NO.	PART NO.	CODE	DESCRIPTION	REF. NO.	PART NO.	CODE	DESCRIPTION
1	721-0295		Chain Case Gasket	29	686-0038		Gear Case Ass'y. Half—R.H.
2	786-0086		Reinforcement Plate	30	736-0406		Fl-Wash. 7/16" I.D. x 1-3/8" O.D.
3	716-0865		Snap Ring	31	617-0002		Gear and Sprocket Ass'y.
4	750-0938		Spacer .735" I.D. x .816" O.D.	32	738-0884		Jack Shaft 5" Lg.
5	711-1015		Wheel Shaft	33	750-0931		Spacer .636" I.D. x .86" O.D.
6	717-1406		Spur Gear 46T	34	736-0302		Fl-Wash. .63" I.D. x .94" O.D.
7	715-0215		Pin Type "E" Grooved	35	717-1411		Spur Gear 10T
8	736-0351		Fl-Wash. .76" I.D. x 1.5" O.D.	36	750-0930		Spacer 1.5" I.D. x 1.76" O.D.
9	784-0166		Dust Cover Ass'y. .75" Shaft	37	713-0436		Sprocket—#41 Chain
10	736-0406		Fl-Wash. 7/16" I.D. x 1-3/8" O.D.	38	717-1405		Reverse Gear 46T
11	686-0039		Gear Case Ass'y. Half—L.H.	39	736-0518		Thrust Wash. .445" I.D. x 1.92" O.D.
12	750-0935		Spacer .635" I.D. x 1" O.D. x .78 Thk.	40	618-0105		Shifter Ass'y.
13	738-0885		Jack Shaft 2.06" Lg.	41	717-1409		Spur Gear 17T
14	750-0936		Spacer .635" I.D. x 1" O.D. x .37" Thk.	42	736-0442		Fl-Wash. .69" I.D. x 1.06" O.D.
15	617-0004		Gear Idler Ass'y.	43	716-0234		Retaining Ring .669" Shaft
16	712-3067		Hex Patch L-Nut 7/16-20 Thd.	44	718-0234		Clutch Collar
17	736-0407		Bell-Wash. .45" I.D. x 1" O.D.	45	716-0235		Retaining Ring .875" Shaft
18	712-0378		Hex Nut 7/16-20 Thd.	46	711-0952		Drive Shaft
19	710-0599		Hex Wash. Hd. TT-Tap Scr. 1/4-20 x .5" Lg.	47	713-0435		Sprocket 11T
20	732-0863		Spring Detent	48	750-0928		Neutral Spacer
21	741-0862		Ball Detent	49	717-1408		Spur Gear 16T
22	784-0167		Dust Cover Ass'y. 1" Shaft	50	736-0336		Fl-Wash. 5/8" I.D. x 1" O.D.
23	736-0163		Thrust Wash. 1.03" I.D. x 1.62" O.D.	51	741-0124		Ball Bearing .669" I.D.
24	750-0570		Spacer 1" I.D. x 2" O.D. x .5" Thk.	52	736-00329		L-Wash. 1/4" I.D.
26	611-0021		Tine Shaft Ass'y.	53	710-0258		Hex Bolt 1/4-20 x .62" Lg.
27	713-0226		Chain #50 5/8" Pitch x 52 Links—Endless	54	736-0511		Fl-Wash. .635" I.D. x 1" O.D.
28	713-0223		Chain—#41 1/2" Pitch x 30 Links—Endless	55	741-0563		Ball Bearing
				56	736-0512		Fl-Wash. .281" I.D. x .875" O.D.
				57	686-0040		Gear Case Ass'y. Comp.
				58	718-0227		Key—Drive Shaft (Not Shown)

Model 420

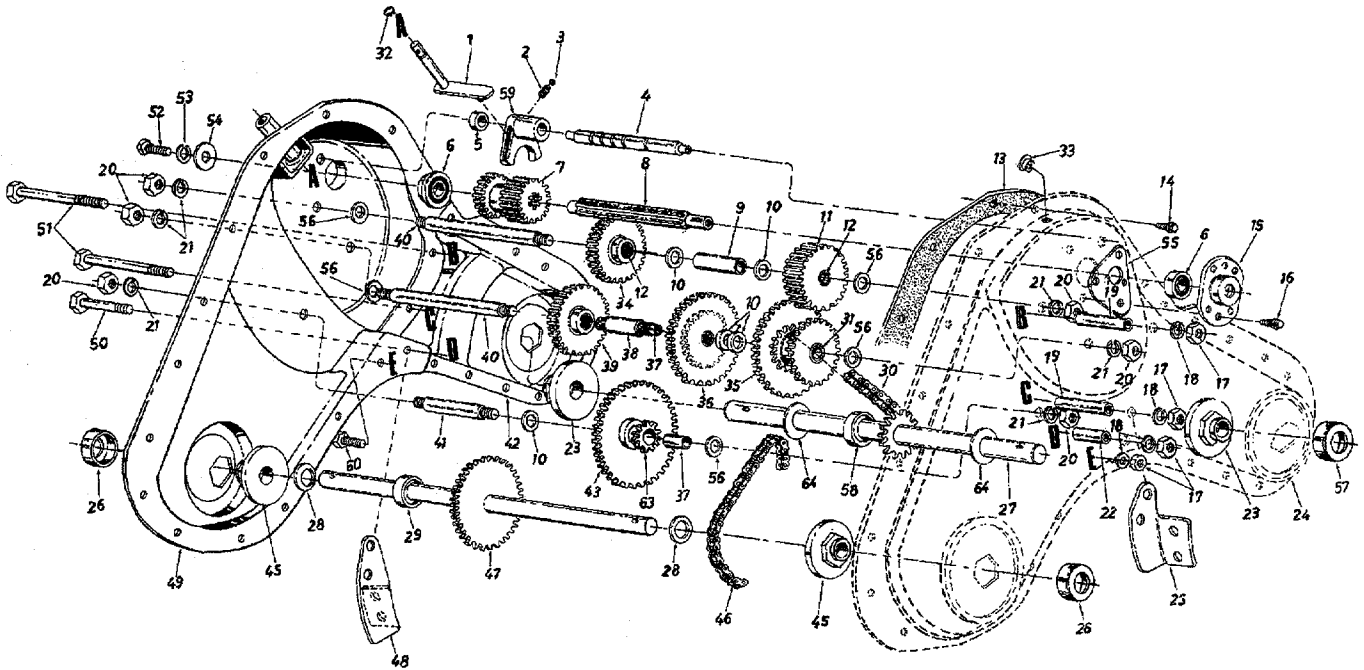


Model 420

PARTS LIST FOR MODEL 420 REAR TINE TILLER

REF. NO.	PART NO.	CODE	DESCRIPTION	REF. NO.	PART NO.	CODE	DESCRIPTION
1	735-0246		Vinyl End Plug	34	786-0113		Rear Tine Shield
2	647-0014		Clutch Control Ass'y.	35	686-0044		End Cover Ass'y.
3	710-1017		Torx Mach. AB-Tap Scr. 1/4 x .62" Lg.	36	710-0528		Hex Cap Bolt 5/16-18 x 1.25" Lg.
4	786-0131	N	Handle Cover	37	712-0267		Hex Nut 5/16-18 Thd.
5	786-0098		Retaining Brkt.—R.H.	38	710-0118		Hex Bolt 5/16-18 x .75" Lg.
6	786-0118		Retaining Brkt.—L.H.	39	710-3097		Carriage Bolt 3/8-16 x 1" Lg.
7	720-0278		Grip (2 Req'd.)	40	712-0130		Hex Ins. L-Nut 3/8-16 Thd.
8	720-0210A		Knob	41	736-0242		Bell-Wash. .345" I.D. x .88" O.D.
9	712-3008		Hex Jam Nut 3/8-16 Thd.	42	712-0419		Hex Cap L-Nut 5/16-18 Thd.
10	735-0228		Bushing 3/8" I.D.	43	712-3004A		Hex Flange Top L-Nut 5/16-18 Thd.
11	735-0127		Rubber Washer	44	786-0076		Tine Shield Brkt.—R.H.
12	736-0204		Fl-Wash. .344" I.D. x .6" O.D.	45	786-0077		Tine Shield Brkt.—L.H.
13	747-0902		Gear Shift Rod	46	711-0415		Clevis Pin .375" Dia.
14	714-0104		Hairpin Clip	47	786-0085		Tine Shield
15	649-0004		Handle Ass'y.	48	747-0432		Tiller Flap Rod
16	710-0599		Hex Wash. Hd. TT-Tap Scr. 1/4-20 x .5" Lg.	49	726-0106		Cap Speed Nut
17	726-0330		Cable Clip	50	710-0521		Hex Bolt 3/8-16 x 3" Lg.
21	746-0916		Clutch Cable	51	786-0101		Shift Cover
22	786-0120		Depth Bar	52	710-1017		Torx Mach. AB-Tap Scr. 1/4 x .6"
23	736-0117		Fl-Wash. 3/8" I.D. x 5/8" O.D.	54	784-0181A		Handle Positioner Brkt. Ass'y.
24	710-0216		Hex Bolt 3/8-16 x .75" Lg.	55	686-0048		Handle Pivot Brkt. Ass'y.
25	717-0234		Washer 1" O.D. (Hdn.)	56	784-0191		Hex Nut Retainer Brkt.
26	736-0173		Fl-Wash. .281" I.D. x .73" O.D.	57	712-0379		Hex Flange Nut 3/8-24 Thd.
27	736-0329		L-Wash. 1/4" I.D.*	59	784-0190		Handle Adjustment Crank
28	710-0751		Hex Bolt 1/4-20 x .62" Lg. (Gr. 5)	60	710-0189		Hex Bolt 5/16-18 x 3" Lg.
29	786-0095		Shift Brkt.	61	732-0493		Torsion Spring
30	711-0415		Clevis Pin	62	712-0375		Hex L-Nut 3/8-16 Thd.
31	714-0149B		Hairpin Clip	63	748-0375		Handle Swing Link
32	642-0015		Tine Ass'y.—L.H.	64	736-0317		Bell-Wash. 5/8" I.D.
	642-0016		Tine Ass'y.—R.H. (Nct Shown)	65	712-0386A		Hex Slotted Nut 5/8-18 Thd.
33	786-0090		Side Shield	66	714-3021		Cotter Pin 1/8" x 1-5/8"
				67	747-0901		Handle Adjustment Rod

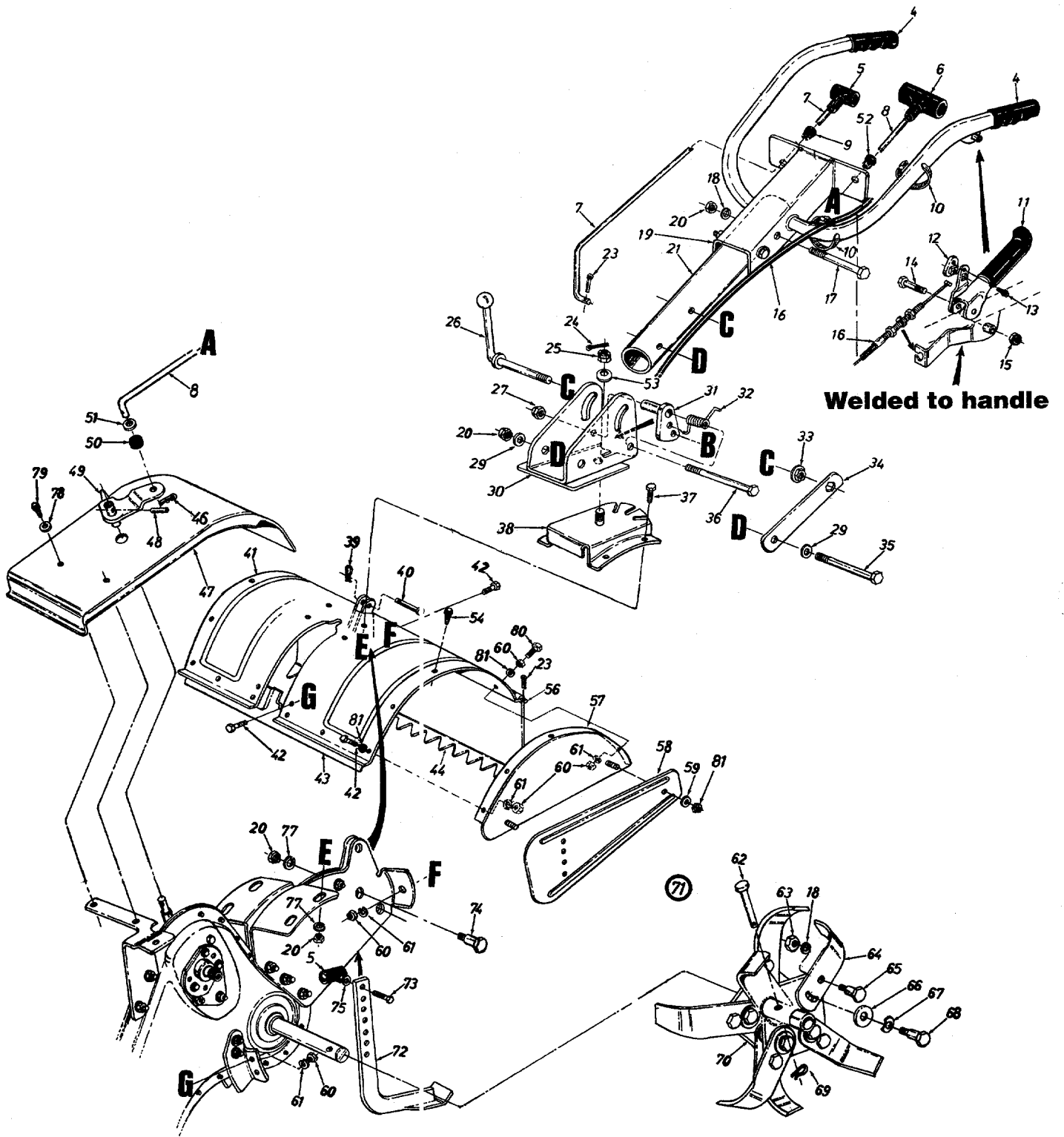
Model 430



PARTS LIST FOR MODEL 430 REAR TINE TILLER

REF. NO.	PART NO.	CODE	DESCRIPTION	REF. NO.	PART NO.	CODE	DESCRIPTION
1	784-0171A		Shifting Bracket Ass'y.	34	717-0854		Spur Gear 30T 12/16" I.D.
2	732-0496		Compression Spring .50" Lg.	35	717-0874		30/44T Gear Ass'y. Comp.
3	741-0862		Ball Detent .250" Dia.	36	717-0863		Spur Gear 44T
4	738-0645		Detent Shaft 1/2" Dia.	37	741-0181		Sleeve Bearing
5	750-0664		Spacer .505" I.D. x .88" O.D.	38	717-0835		Gear Hub 3/4" I.D. x 3" Lg.
6	741-0155		Ball Brg. .62" I.D. x 1.38"	39	717-0855		Spur Gear 30T 1.0" I.D. x 1/2" W
7	717-0851		Spur Gear 16T (Input)				Jack Shaft 5/8" Dia. x 5"
8	717-0852		Input Spline Shaft 7/8"	40	738-0647		Jack Shaft 5/8" Dia. x 2.38"
9	750-0651		Spacer .657" I.D. x 2.85" Lg.	41	738-0648		Trans. Housing Ass'y.—R.H.
10	736-0187		Fl-Wash. .640" I.D. x 1.24"	42	784-0215		Spur Gear 55T
11	717-0857		Spur Gear 30T 7/8" I.D.	43	717-0858		Wheel Brg. .752" x 2.5"
12	741-0478		Needle Bearing 5/8" I.D.	45	741-0421		#420 Chain 1/2 Pitch x 50 Links—Endless
13	721-0211		Gasket—Trans. Hsg.	46	713-0367		Wheel Shaft Ass'y. 15.6"
14	710-0599		Hex S-Tap Scr. 1/4-20 x .5"				Bracket Gear Case—R.H.
15	784-0211		1-3/8" Dia. Bearing Housing	47	611-0020		R.H. Housing Ass'y.
16	710-0642		Hex TT-Tap Scr. 1/4-20 x .75"	48	784-0192		Hex Bolt 5/16-18 x 2"
17	712-0267		Hex Nut 5/16-18 Thd.*	49	784-0195		Hex Bolt 5/16-18 x 2.5"
18	736-0119		L-Wash. 5/16" I.D.*	50	710-0116		Hex Bolt 1/4-20 x .62" Lg.
19	750-0662		Spacer 1.56" Lg.	51	710-0378		L-Wash. 3/8" I.D.*
20	712-0378		Hex Nut 7/16-20 Thd.	52	710-0513		Fl-Wash. 1/4" I.D. x .93" O.D.
21	736-0407		Bell-Wash. .45" I.D. x 1.0"	53	736-0169		Gear Positioner Bracket
22	750-0661		Spacer 1.015" Lg.	54	736-0176		Fl-Wash. 7/16" I.D. x 1-3/8"
23	741-0420		Tine Shaft Brg. 1.002 x 2.50	55	786-0065		Dust Cover Ass'y. 1" Shaft
24	784-0214		Trans. Housing Ass'y.—L.H.	56	736-0406		Spacer 1" I.D. x 2" O.D.
25	784-0193		Bracket Gear Case—L.H.	57	784-0167		Shifting Fork
26	784-0166		Dust Cover Ass'y. .75" Shaft	58	750-0570		Hex Bolt 5/16-18 x .75" Lg.*
27	611-0021		Tine Shaft Ass'y. 1" O.D.	59	717-0853		10T Sprocket Ass'y.
28	736-0351		Fl-Wash. .76" I.D. x 1.5" O.D.	60	710-0118		Thrust Wash. 1.03" I.D. x 1.62" O.D.
29	750-0671		Spacer .75" I.D. x .50" Lg.	63	784-0162		16 oz. Bottle #00EP Grease (27 oz. Req'd.)
30	713-0226		Chain #50 5/8 Pitch x 52 Links—Endless	64	736-0163		Gear Case Assembly Complete
31	741-0488		Needle Bearing 5/8" I.D.				
32	716-0865		Snap Ring	—	737-0223		
33	726-0277		Taper Cap Plug	—	686-0058		

Model 430



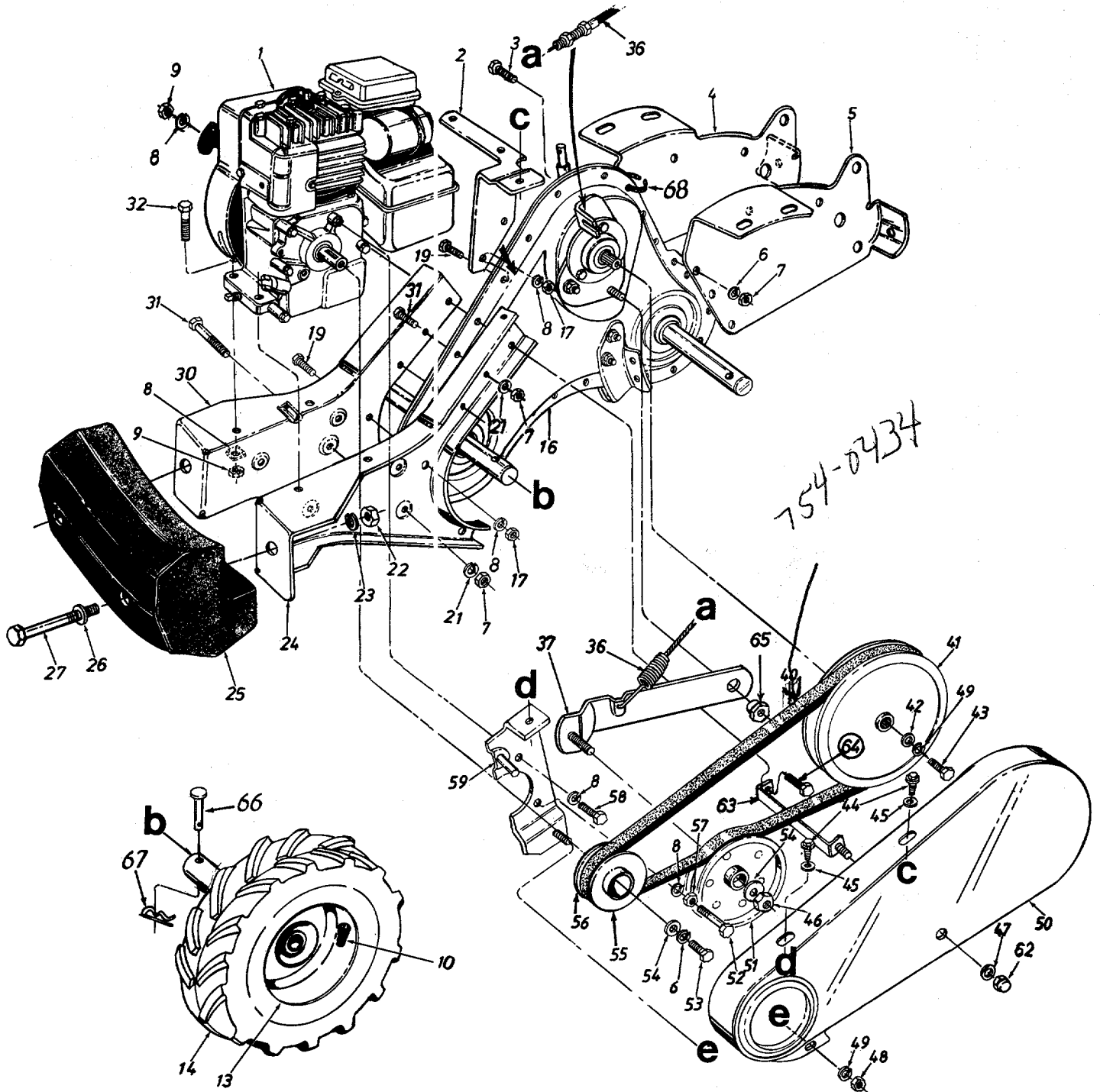
Model 430

PARTS LIST FOR MODEL 430 REAR TINE TILLER

REF. NO.	PART NO.	CODE	DESCRIPTION	REF. NO.	PART NO.	CODE	DESCRIPTION
4	720-0180		Handle Grip	41	784-0156		Tine Shield 18"
5	720-0210A		Small "T" Knob	42	710-0118		Hex Bolt 5/16-18 x .75" Lg.*
6	720-0209		Large "T" Knob	43	784-0210		Bracket Reinforcement—18"
7	747-0666		Clutch Rod	44	14979		Tine Shield Hinge Flap
8	747-0664		Control Rod 37" Lg.	46	714-0104		Intern. Cotter Pin 5/16" Dia.
9	735-0228		Snap On Bushing 3/8" Dia.	47	784-0208A		Shift Cover
10	725-0157		Cable Tie-Self Clinching	48	715-0120		Spring Roll Pin 3/16" Dia.
11	784-0202B		Clutch Grip Ass'y.—L.H.	49	784-0173		Shifting Crank Ass'y.
12	746-0605		Barrel Cable Hold Down	50	735-0127		Rubber Washer .33" I.D.
13	710-0919		Hex B-Tap Scr. #10 x .44" Lg.	51	736-0133		FI-Wash. .4" I.D. x 1.25" O.D.
14	710-0331		Hex Bolt 3/8-24 x 2.25" Lg.*	52	735-0227		Snap On Bushing 1/2" Dia.
15	712-0262		Hex Jam L-Nut 3/8-24 Thd.	53	736-0317		Bell-Wash. .63" I.D. x 1.25"
16	746-0908		Clutch Control Cable 46" Lg.	54	710-0607		Hex Wash. Tap Scr.
17	710-0194		Hex Bolt 3/8-16 x 3.00" Lg.*	56	747-0432		Tiller Flap Rod
18	736-0217		L-Wash. 3/8" I.D.—H.D.	57	784-0179		End Cover Ass'y.
19	686-0075		Handle Ass'y.	58	15390		Side Shield
20	712-0798		Hex Nut 3/8-16 Thd.*	59	736-0242		Bell-Wash. .345" I.D. x .88"
21	784-0189		Handle Tubing Ass'y.	60	712-0267		Hex Nut 5/16-18 Thd.*
23	714-0507		Cotter Pin 3/32" Dia. x .75" Lg.*	61	736-0119		L-Wash. 5/16" I.D.*
24	714-3021		Cotter Pin 3/32" Dia. x 1.25" Lg.*	62	711-0415		Clevis Pin .375" Dia.
25	712-0386A		Hex Slotted Nut 5/8-18 Thd.	63	712-0241		Hex Nut 3/8-24 Thd.*
26	784-0190		Handle Adj. Crank	64	742-0305		13" Dia. Articulating Tine
27	712-0375		Hex Cent. L-Nut 3/8-16 Thd.	65	738-0689		Shld. Bolt 1/2" Dia. x .175
29	736-0105		Bell-Wash. .4" I.D. x .87" O.D.	66	736-0208		FI-Wash. .51" I.D. x 1.50"
30	784-0263		Handle Pivot Bracket	67	736-0255		Bell-Wash. .515" I.D. x 1.14"
31	784-0183		Positioner Crank Ass'y.	68	738-0688		Shld. Bolt 1/2" Dia. x .320
32	732-0493		Spring Handle Adj. (Torsion)	69	714-0149B		Intern. Cotter Pin
33	712-0379		Hex Flange Nut 3/8-24 Thd.	70	784-0160		Tine Adapter Ass'y. 18"
34	784-0191		Bracket Hex Nut Retainer	71	784-0205		Tine Ass'y. Comp. 18"
35	710-0644		Hex Bolt 3/8-16 x 3.25" Lg.*	72	14992		Depth Bar Ass'y.
36	710-0521		Hex Bolt 3/8-16 x 3.00" Lg.—Gr. 8	73	710-0216		Hex Bolt 3/8-16 x .75" Lg.*
37	710-0253		Hex Bolt 3/8-16 x 1" Lg.*	74	738-0148		Shld. Bolt 1/2" I.D. x .62" Lg.
38	784-0181A		Handle Positioner Brkt. Ass'y.	75	736-0117		FI-Wash. 3/8" I.D. x 5/8" O.D.
39	714-0149B		Intern. Cotter Pin	77	736-0169		L-Wash. 3/8" I.D.*
40	711-0415		Clevis Pin .375" Dia.	78	736-0463		FI-Wash. .281" I.D. x .62"
				79	710-0599		Hex Wash. Self-Tap Scr. 1/4-20 x .50" Lg.
				80	710-0528		Hex Bolt 5/16-18 x 11/4" Lg.*
				81	712-0419		Cap L-Nut 5/16-18 Thd.

*For faster service obtain standard nuts, bolts and washers locally. If these items cannot be obtained locally, order by part number and size as shown on parts list.

Model 430



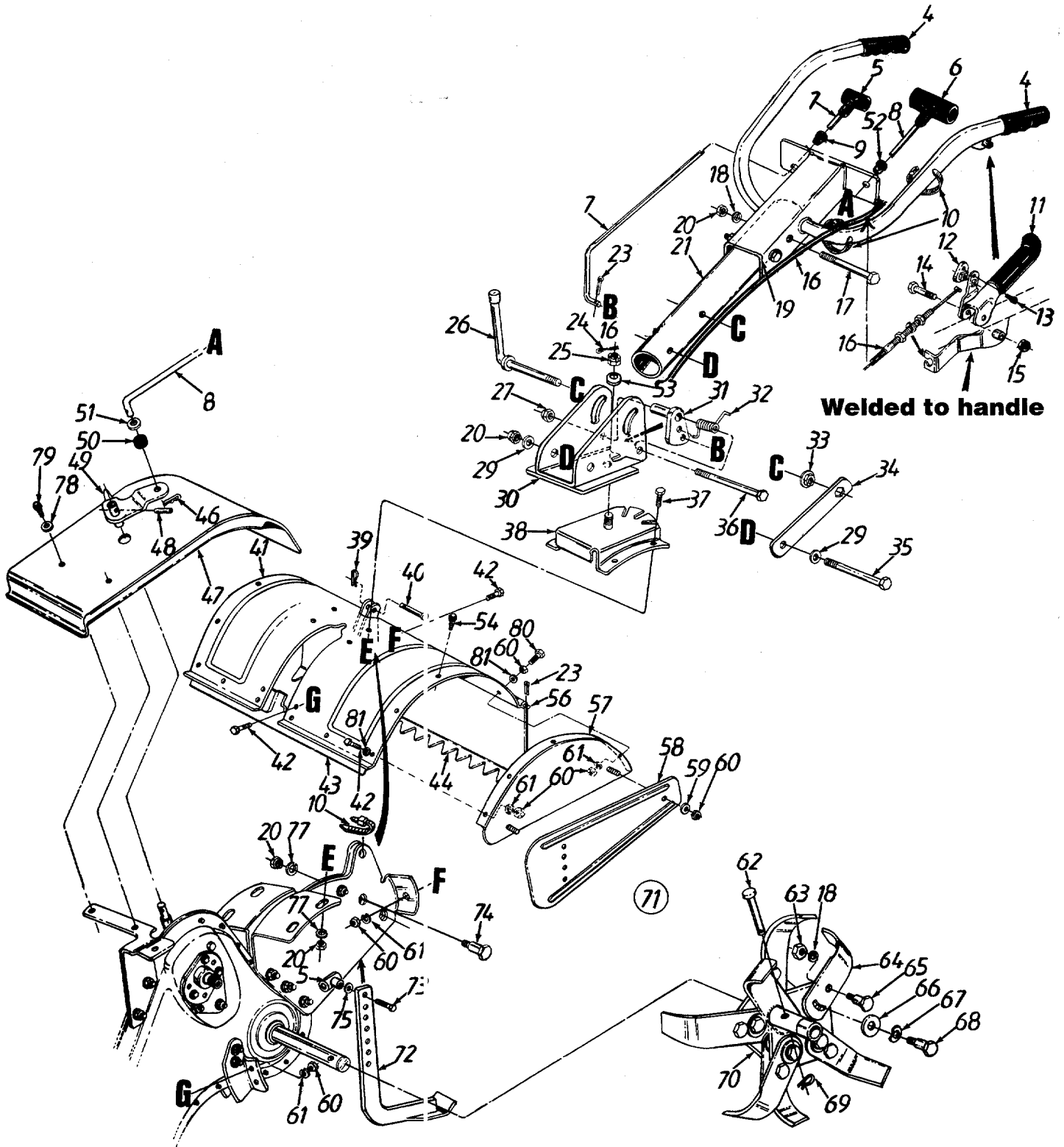
Model 430

PARTS LIST FOR MODEL 430 REAR TINE TILLER

REF. NO.	PART NO.	CODE	DESCRIPTION	REF. NO.	PART NO.	CODE	DESCRIPTION
1	—		Engine	40	756-0634		"V"-Belt
2	784-0199A		Belt Cover Mounting Brkt.	41	756-0634		FI-Pulley 8" O.D.
3	710-0253		Hex Bolt 3/8-16 x 1.00" Lg.*	42	736-0176		FI-Wash. 1/4" I.D. x .93" O.D.
4	784-0178		Tine Shield Mtg. Brkt.—R.H.	43	710-0412		Hex Bolt 1/4-28 x .75" Lg.
5	784-0177		Tine Shield Mtg. Brkt.—L.H.	44	710-0599		Hex Wash. Hd. S-Tap Scr. 1/4-20 x .50" Lg.
6	736-0169		L-Wash. 3/8" I.D.*	45	736-0463		FI-Wash. .281" I.D. x .625"
7	712-0798		Hex Nut 3/8-16 Thd.*	46	712-0262		Hex Cent. L-Nut 3/8-24 Thd.
8	736-0119		L-Wash. 5/16" I.D.*	47	736-3020		FI-Wash. .266" I.D. x .625" O.D.
9	712-0267		Hex Nut 5/16-18" Thd.*	48	712-0287		Hex Nut 1/4-20 Thd.*
10	734-0255		Air Valve	49	736-0329		L-Wash. 1/4" I.D.*
13	634-0112		Wheel Rim Ass'y. Only	50	784-0158		Belt Cover
14	634-0111		L.H. Wheel Ass'y. Comp.	51	756-0405		FI-Idler w/Flanges 3.75" O.D.
	634-0110		R.H. Wheel Ass'y. Comp.	52	710-0409		Hex Bolt 5/16-24 x 1.75"*
	734-1796		Tire Only	53	710-0152		Hex Bolt 3/8-24 x 1.00" Lg.*
16	686-0058		Gear Case Ass'y. Comp.	54	736-0258		FI-Wash. 3/8" I.D. x 1.00"
17	712-0267		Hex Nut 5/16-18 Thd.*	55	756-0972		Outer Engine Pulley Half
19	710-0118		Hex Bolt 5/16-18 x .75" Lg.*	56	756-0971		Inner Engine Pulley Half
21	736-0217		L-Wash. 3/8" I.D.—H.D.	57	712-0123		Hex Nut 5/16-24 Thd.*
22	712-0206		Hex Nut 1/2-13 Thd.*	58	710-0237		Hex Bolt 5/16-24 x .62" Lg.*
23	736-0921		L-Wash. 1/2" I.D.*	59	784-0197		Belt Keeper Ass'y.
24	784-0155		Engine Mounting Rail—R.H.	62	712-0392		Hex Cap Nut 1/4-28 Thd.
25	723-0381		#40 Counter Weight	63	686-0027		Belt Cover Brkt. Ass'y.
26	736-0326		FI-Wash. .510" I.D. x 1.0"	64	710-0376		Hex Bolt 5/16-18 x 1" Lg. (Gr. 5)
27	710-0382		Hex Bolt 1/2-13 x 5.00" Lg.*	65	738-0876		Shld. Nut
30	784-0154		Engine Mounting Rail—L.H.	66	711-1017		Clevis Pin
31	710-0216		Hex Bolt 3/8-16 x .75" Lg.*	67	714-0104		Hairpin Clip
32	710-0442		Hex Bolt 5/16-18 x 1.50"*	68	725-0157		Cable Tie—Self Clinching
36	746-0908		Clutch Control Cable 46" Lg.				
37	686-0026		Idler Bracket Ass'y.				

*For faster service obtain standard nuts, bolts and washers locally.
If these items cannot be obtained locally, order by part number
and size as shown on parts list.

Model 447



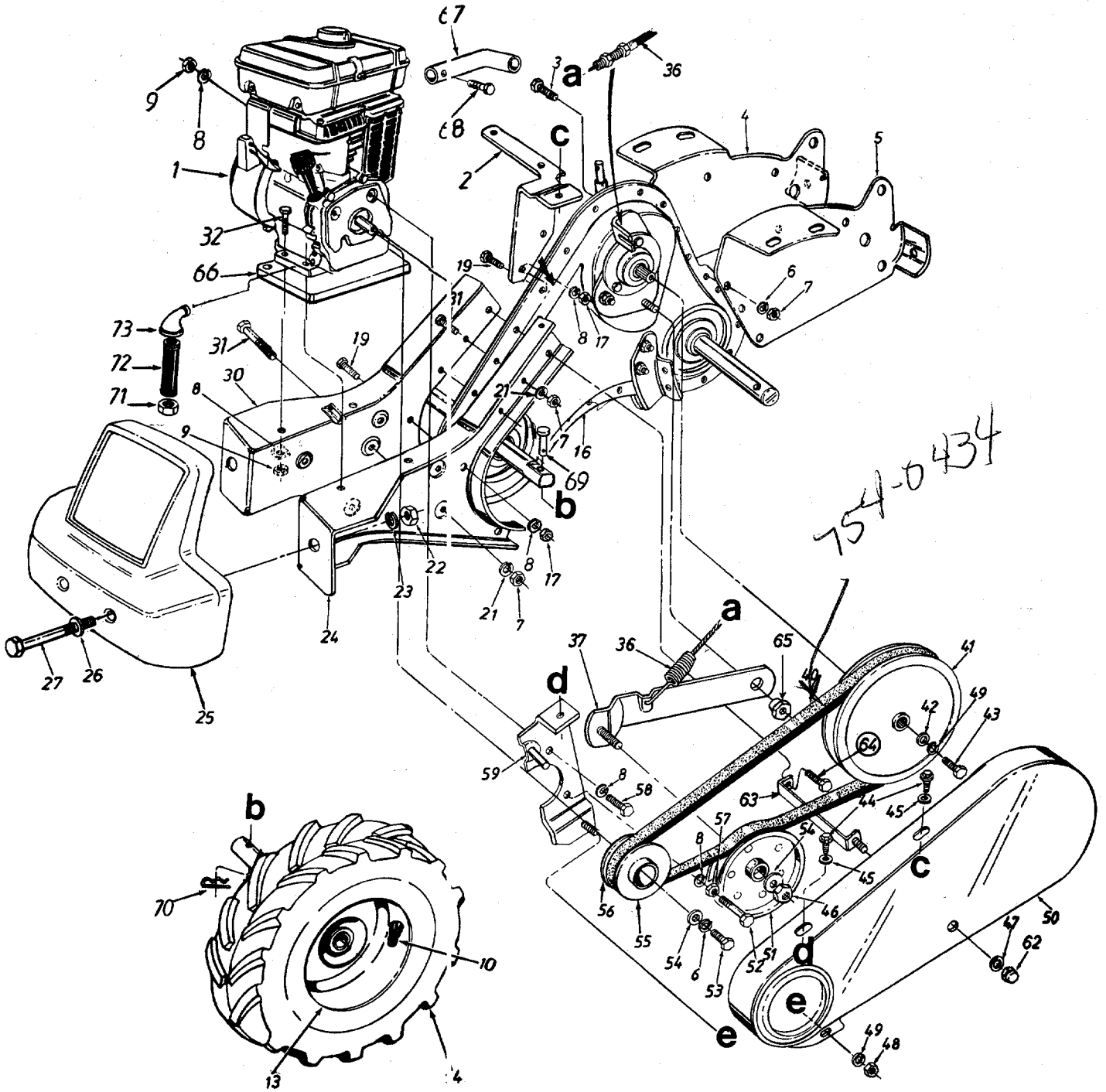
Model 447

PARTS LIST FOR MODEL 447 REAR TINE TILLER

REF. NO.	PART NO.	CODE	DESCRIPTION	REF. NO.	PART NO.	CODE	DESCRIPTION
4	720-0180		Handle Grip	41	784-0156		Tine Shield 18"
5	720-0210A		Small "T" Knob	42	710-0118		Hex Bolt 5/16-18 x .75" Lg.*
6	720-0209		Large "T" Knob	43	784-0210		Bracket Reinforcement—18"
7	747-0666		Clutch Rod	44	14979		Tine Shield Hinge Flap
8	747-0664		Control Rod 37" Lg.	46	714-0104		Intern. Cotter Pin 5/16" Dia.
9	735-0228		Snap On Bushing 3/8" Dia.	47	784-0208A		Shift Cover
10	725-0157		Cable Tie-Self Clinching	48	715-0120		Spring Roll Pin 3/16" Dia.
11	784-0202B		Clutch Grip Ass'y.—L.H.	49	784-0173		Shifting Crank Ass'y.
12	746-0605		Barrel Cable Hold Down	50	735-0127		Rubber Washer .33" I.D.
13	710-0919		Hex B-Tap Scr. #10 x .44" Lg.	51	736-0133		FI-Wash. .4" I.D. x 1.25" O.D.
14	710-0331		Hex Bolt 3/8-24 x 2.25" Lg.*	52	735-0227		Snap On Bushing 1/2" Dia.
15	712-0262		Hex Jam L-Nut 3/8-24 Thd.	53	736-0317		Bell-Wash. .63" I.D. x 1.25"
16	746-0908		Clutch Control Cable 46" Lg.	54	710-0607		Hex Wash. Tap Scr.
17	710-0194		Hex Bolt 3/8-16 x 3.00" Lg.*	56	747-0432		Tiller Flap Rod
18	736-0217		L-Wash. 3/8" I.D.—H.D.	57	784-0179		End Cover Ass'y.
19	686-0075	N	Handle Ass'y.	58	15390		Side Shield
20	712-0798		Hex Nut 3/8-16 Thd.*	59	736-0242		Bell-Wash. .345" I.D. x .88"
21	784-0189		Handle Tubing Ass'y.	60	712-0267		Hex Nut 5/16-18 Thd.*
23	714-0507		Cotter Pin 3/32" Dia. x .75" Lg.*	61	736-0119		L-Wash. 5/16" I.D.*
24	714-3021		Cotter Pin 3/32" Dia. x 1.25" Lg.*	62	711-0415		Clevis Pin .375" Dia.
25	712-0386A		Hex Slotted Nut 5/8-18 Thd.	63	712-0241		Hex Nut 3/8-24 Thd.*
26	784-0190		Handle Adj. Crank	64	742-0305		13" Dia. Articulating Tine
27	712-0375		Hex Cent. L-Nut 3/8-16 Thd.	65	738-0689		Shld. Bolt 1/2" Dia. x .175
29	736-0105		Bell-Wash. .4" I.D. x .87" O.D.	66	736-0208		FI-Wash. .51" I.D. x 1.50"
30	784-0263		Handle Pivot Bracket	67	736-0255		Bell-Wash. .515" I.D. x 1.14"
31	784-0183		Positioner Crank Ass'y.	68	738-0688		Shld. Bolt 1/2" Dia. x .320
32	732-0493		Spring Handle Adj. (Torsion)	69	714-0149B		Intern. Cotter Pin
33	712-0379		Hex Flange Nut 3/8-24 Thd.	70	784-0160		Tine Adapter Ass'y. 18"
34	784-0191		Bracket Hex Nut Retainer	71	784-0205		Tine Ass'y. Comp. 18"
35	710-0644		Hex Bolt 3/8-16 x 3.25" Lg.*	72	786-0120		Depth Bar
36	710-0521		Hex Bolt 3/8-16 x 3.00" Lg.—Gr. 8	73	710-0216		Hex Bolt 3/8-16 x .75" Lg.*
37	710-0253		Hex Bolt 3/8-16 x 1" Lg.*	74	738-0148		Shld. Bolt 1/2" I.D. x .62" Lg.
38	784-0181A		Handle Positioner Brkt. Ass'y.	75	736-0117		FI-Wash. 3/8" I.D. x 5/8" O.D.
39	714-0149B		Intern. Cotter Pin	77	736-0169		L-Wash. 3/8" I.D.*
40	711-0415		Clevis Pin .375" Dia.	78	736-0463		FI-Wash. .281" I.D. x .62"
				79	710-0599		Hex Wash. Self-Tap Scr. 1/4-20 x .50" Lg.
				80	710-0528		Hex Bolt 5/16-18 x 11/4" Lg.*
				81	712-0419		Cap L-Nut 5/16-18 Thd.

*For faster service obtain standard nuts, bolts and washers locally. If these items cannot be obtained locally, order by part number and size as shown on parts list.

Model 447



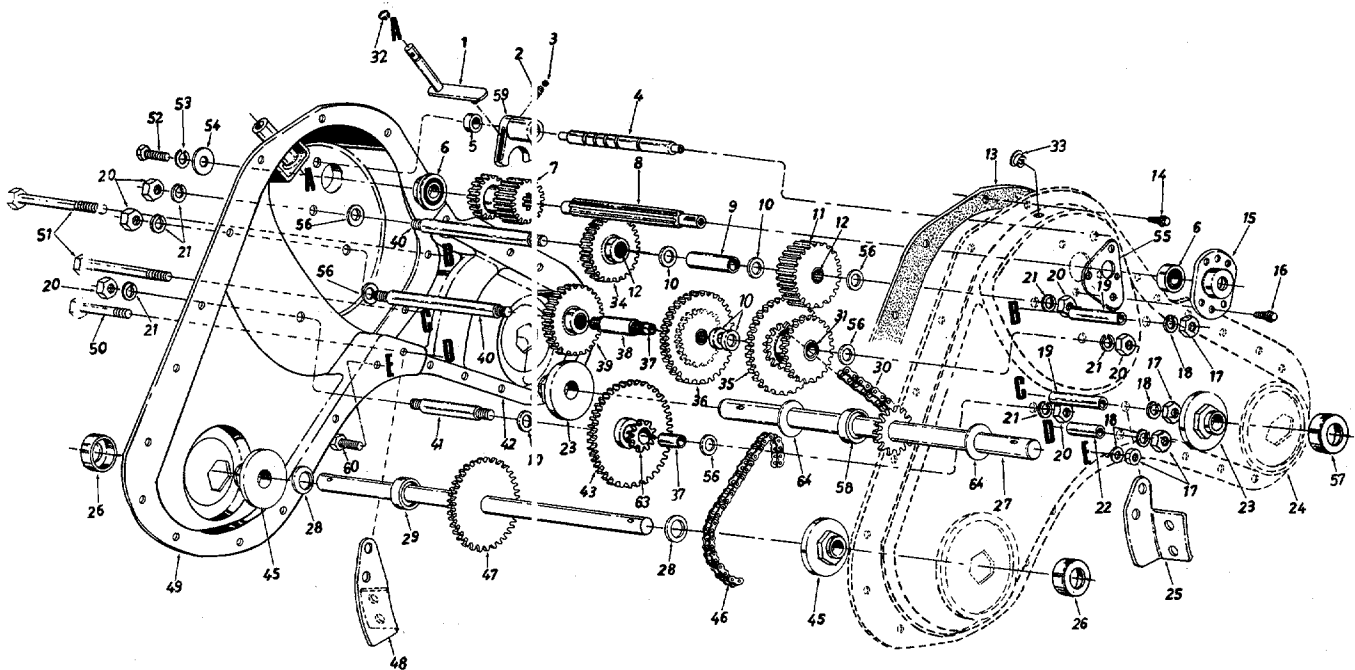
Model 447

PARTS LIST FOR MODEL 447 REAR TINE TILLER

REF. NO.	PART NO.	CODE	DESCRIPTION	REF. NO.	PART NO.	CODE	DESCRIPTION
1	—		Engine	43	710-0412		Hex Bolt 1/4-28 x .75" Lg.
2	786-0123		Shift Cover Mounting Brkt.	44	710-0599		Hex Wash. Hd. S-Tap Scr. 1/4-20 x .50" Lg.
3	710-0253		Hex Bolt 3/8-16 x 1.00" Lg.*	45	736-0463		FI-Wash. .281" I.D. x .625"
4	784-0178		Tine Shield Mtg. Brkt.—R.H.	46	712-0262		Hex Cent. L-Nut 3/8-24 Thd.
5	784-0177		Tine Shield Mtg. Brkt.—L.H.	47	736-3020		FI-Wash. .266" I.D. x .625" O.D.
6	736-0169		L-Wash. 3/8" I.D.*	48	712-0287		Hex Nut 1/4-20 Thd.*
7	712-0798		Hex Nut 3/8-16 Thd.*	49	736-0329		L-Wash. 1/4" I.D.*
8	736-0119		L-Wash. 5/16" I.D.*	50	784-0158		Belt Cover
9	712-0267		Hex Nut 5/16-18" Thd.*	51	756-0405		FI-Idler w/Flanges 3.75" O.D.
10	734-0255		Air Valve	52	710-0409		Hex Bolt 5/16-24 x 1.75"
13	634-0108		Wheel Rim Ass'y. Only	53	710-0152		Hex Bolt 3/8-24 x 1.00" Lg.*
14	634-0107		L.H. Wheel Ass'y. Comp.	54	736-0258		FI-Wash. 3/8" I.D. x 1.00"
	634-0106		R.H. Wheel Ass'y. Comp.	55	756-0971		Outer Engine Pulley Half
	734-0808		Tire Only	56	756-0972		Inner Engine Pulley Half
16	686-0058		Gear Case Ass'y. Comp.	57	712-0123		Hex Nut 5/16-24 Thd.*
17	712-0267		Hex Nut 5/16-18 Thd.*	58	710-0237		Hex Bolt 5/16-24 x .62" Lg.*
19	710-0118		Hex Bolt 5/16-18 x .75" Lg.*	59	686-0065		Belt Keeper Ass'y.
21	736-0217		L-Wash. 3/8" I.D.—H.D.	62	712-0392		Hex Cap Nut 1/4-28 Thd.
22	712-0206		Hex Nut 1/2-13 Thd.*	63	686-0064		Belt Cover Brkt. Ass'y.
23	736-0921		L-Wash. 1/2" I.D.*	64	710-0376		Hex Bolt 5/16-18 x 1" Lg. (Gr. 5)
24	784-0155		Engine Mounting Rail—R.H.	65	738-0876		Shld. Nut
25	731-1595	N	Counter Weight	66	717-0522		Engine Spacer Block
26	736-0326		FI-Wash. .510" I.D. x 1.0"	67	751-0596		Outlet Pipe
27	710-0382		Hex Bolt 1/2-13 x 5.00" Lg.*	68	710-0227		Hex Wash. Hd. AB-Tap Scr. #8 x .5" Lg.
30	784-0154		Engine Mounting Rail—L.H.	69	711-1017		Clevis Pin
31	710-0216		Hex Bolt 3/8-16 x .75" Lg.*	70	714-0104		Hairpin Clip
32	710-0176		Hex Bolt 5/16-18 x 2.75"	71	737-0132		Oil Cap 1/4" NPT
36	746-0908		Clutch Control Cable 46" Lg.	72	737-0130		Drain Pipe 1/4" NPT
37	686-0026		Idler Bracket Ass'y.	73	737-0195		Street Elbow 1/4" NPT
40	756-0607		"V"-Belt				
41	756-0634		FI-Pulley 8" O.D.				
42	736-0176		FI-Wash. 1/4" I.D. x .93" O.D.				

*For faster service obtain standard nuts, bolts and washers locally.
If these items cannot be obtained locally, order by part number
and size as shown on parts list.

Model 447



PARTS LIST FOR MODEL 447 REAR TINE TILLER

REF. NO.	PART NO.	CODE	DESCRIPTION	REF. NO.	PART NO.	CODE	DESCRIPTION
1	784-0171A		Shifting Bracket Ass'y.	35	717-0874		30/44T Gear Ass'y. Comp.
2	732-0496		Compression Spring 50" Lg.	36	717-0863		Spur Gear 44T
3	741-0862		Ball Detent .250" Dia	37	741-0181		Sleeve Bearing
4	738-0645		Detent Shaft 1/2" Dia.	38	717-0835		Gear Hub 3/4" I.D. x 3" Lg.
5	750-0664		Spacer .505" I.D. x .88" O.D.	39	717-0855		Spur Gear 30T 1.0" I.D. x 1/2" W
6	741-0155		Ball Brg. .62" I.D. x 1.38"	40	738-0647		Jack Shaft 5/8" Dia. x 5"
7	717-0851		Spur Gear 16T (Input)	41	738-0648		Jack Shaft 5/8" Dia. x 2.38"
8	717-0852		Input Spline Shaft 7/8"	42	784-0215		Trans. Housing Ass'y.—R.H.
9	750-0651		Spacer .657" I.D. x 2.85" Lg.	43	717-0858		Spur Gear 55T
10	736-0187		Fl-Wash. .640" I.D. x 1.24"	44	726-0277		Plug
11	717-0857		Spur Gear 30T 7/8" I.D.	45	741-0421		Wheel Brg. .752" x 2.5"
12	741-0478		Needle Bearing 5/8" .D.	46	713-0367		#420 Chain 1/2 Pitch x 50 Links—Endless
13	721-0211		Gasket—Trans. Hsg.	47	611-0020		Wheel Shaft Ass'y. 15.6"
14	710-0599		Hex S-Tap Scr. 1/4-20 x .5"	48	784-0192		Bracket Gear Case—R.H.
15	784-0211		1-3/8" Dia. Bearing Housing	49	784-0195		R.H. Housing Ass'y.
16	710-0642		Hex TT-Tap Scr. 1/4-20 x .75"	50	710-0116		Hex Bolt 5/16-18 x 2"
17	712-0267		Hex Nut 5/16-18 Thd.*	51	710-0378		Hex Bolt 5/16-18 x 2.5"
18	736-0119		L-Wash. 5/16" I.D.*	52	710-0513		Hex Bolt 1/4-20 x .62" Lg.
19	750-0662		Spacer 1.56" Lg.	53	736-0169		L-Wash. 3/8" I.D.*
20	712-0378		Hex Nut 7/16-20 Thd.	54	736-0176		Fl-Wash. 1/4" I.D. x .93" O.D.
21	736-0407		Bell-Wash. .45" I.D. x 1.0"	55	786-0065		Gear Positioner Bracket
22	750-0661		Spacer 1.015" Lg.	56	736-0406		Fl-Wash. 7/16" I.D. x 1-3/8"
23	741-0420		Tine Shaft Brg. 1.002" x 2.50	57	784-0167		Dust Cover Ass'y. 1" Shaft
24	784-0214		Trans. Housing Ass'y.—L.H.	58	750-0570		Spacer 1" I.D. x 2" O.D.
25	784-0193		Bracket Gear Case—L.H.	59	717-0853		Shifting Fork
26	784-0166		Dust Cover Ass'y. .71" Shaft	60	710-0118		Hex Bolt 5/16-18 x .75" Lg.*
27	611-0021		Tine Shaft Ass'y. 1" O.D.	63	784-0162		10T Sprocket Ass'y.
28	736-0351		Fl-Wash. .76" I.D. x 1.5" O.D.	64	736-0163		Thrust Wash. 1.03" I.D. x 1.62" O.D.
29	750-0671		Spacer .75" I.D. x .50" Lg.				16 oz. Bottle #00EP Grease (27 oz. Req'd.)
30	713-0226		Chain #50 5/8 Pitch x 52 Links—Endless				Gear Case Ass'y. Comp.
31	741-0488		Needle Bearing 5/8" .D.		737-0223		
32	716-0865		Snap Ring				
33	726-0277		Taper Cap Plug		686-0058		
34	717-0854		Spur Gear 30T 12/16" I.D.				