

# ***Bolens***<sup>®</sup>

---

---

## **Parts Catalog**

---

## **Snowthrowers**

### **Models**

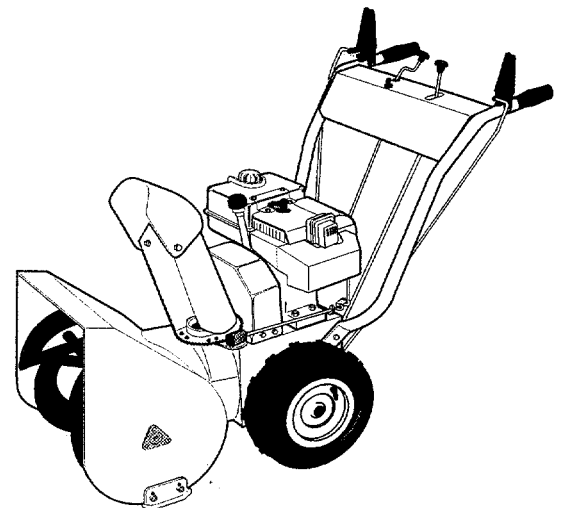
---

**42010 —24", 8 HP**  
Serial Numbers:  
420100300101 - 420101199999

**42012 —26", 10 HP**  
Serial Numbers:  
420120300101 - 420121199999

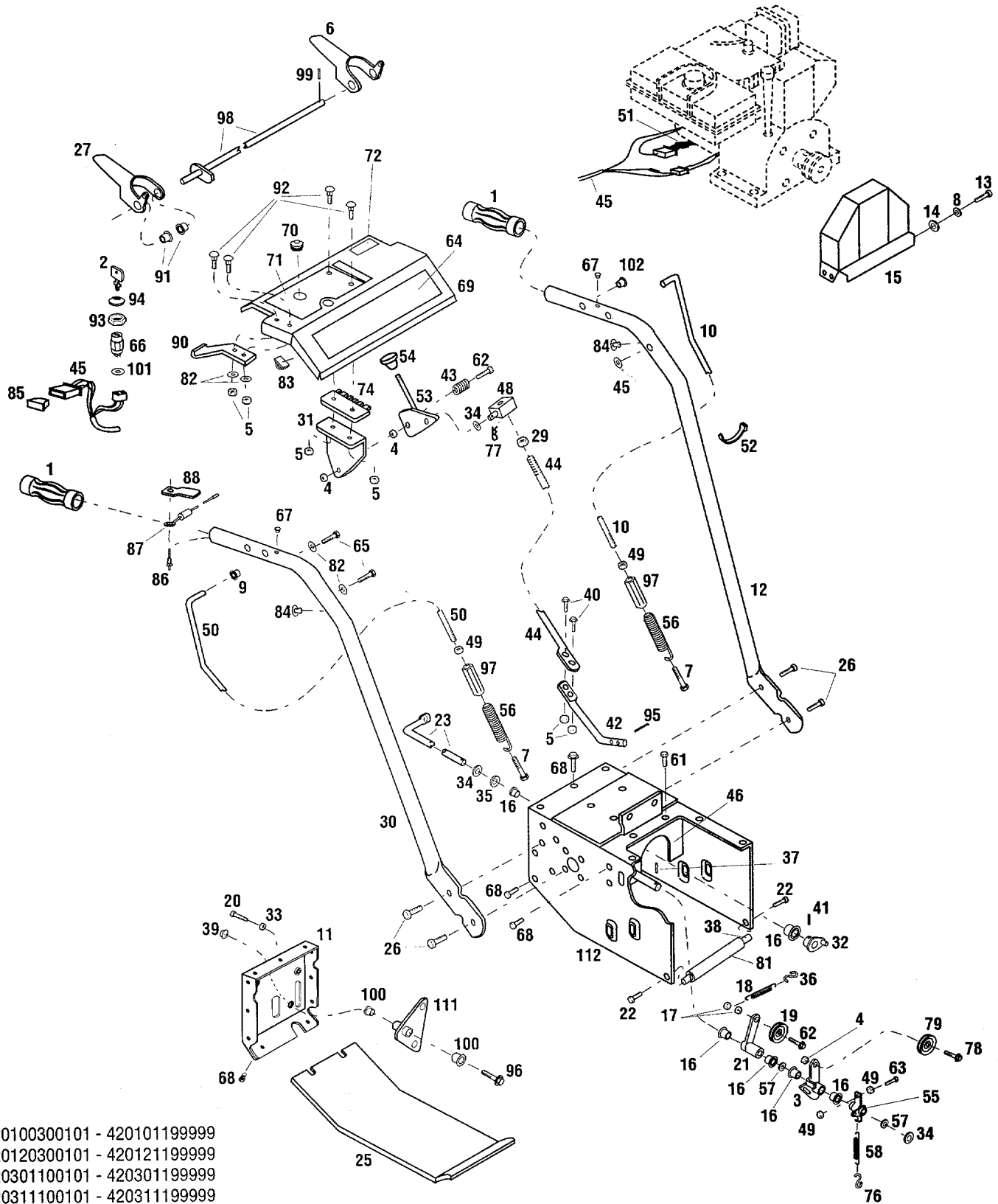
**42030 —24", 8 HP**  
Serial Numbers:  
420301100101 - 420301199999

**42031 —26", 10 HP**  
Serial Numbers:  
420311100101 - 420311199999



# 24", 8 HP & 26", 10 HP Snowthrowers

## TRIM, CONTROL & FRAME ASSEMBLY



420100300101 - 420101199999  
420120300101 - 420121199999  
420301100101 - 420301199999  
420311100101 - 420311199999

# Models 42010, 42012, 42030 & 42031

Ref.	Part	Description	Qty.	Ref.	Part	Description	Qty.
1	1745576	Handle Grip.....	2	54	1757842	Knob.....	1
2	1753986	Ignition Key.....	2	55	1739941	Brake Arm.....	1
3	1739937	Idler Arm.....	1	56	1765535	Extension Spring.....	2
4	1733398	Lock Nut, 3/8-16.....	3	57	1107385	Flat Washer, 1/2".....	2
5	1734398	Lock Nut, 1/4-20.....	6	58	1740990	Extension Spring.....	1
6	1764738	Left Control Handle.....	1	61	1186327	Flange Bolt, 5/16-18 x 1/2.....	2
7	1765534	Fillister-Head Bolt, 5/16-18 x 1.....	2	62	1100086	Hex Head Bolt, 3/8-16 x 1-3/4.....	2
8	1100242	Lock Washer, 5/16.....	2	63	1772011	Hex Head Cap Bolt, 1/4-20 x 1.....	1
9	1728072	Push Nut.....	2	64	1767331	Logo Decal (A).....	1
10	1764741	Wheel Drive Clutch Rod.....	1		1767332	Logo Decal (B).....	1
11	1760258010	Back Plate. See (A) (B).....	1		1916561	Logo Decal (C).....	1
	1760258021	Back Plate. See (C) (D).....	1		1916562	Logo Decal (D).....	1
12	1757831010	Left Handle Bar. See (A) (B).....	1	65	1754128	Thread-Forming Bolt, 1/4-20 x 5/8.....	4
	1757831021	Left Handle Bar. See (C) (D).....	1	66	1758145	Ignition Switch (Incl. Ref. 2).....	1
13	1100044	Hex Head Bolt, 5/16-18 x 3/4.....	2	67	1750796	Wear Button.....	2
14	1100255	Flat Washer, 5/16.....	2	68	1724491	Thread-Forming Bolt, 5/16-18 x 3/4.....	13
15	1740030	Belt Cover.....	1	69	1771962	Console (Incl. Refs. 71 & 72). See (A) (B)...	1
16	1715716	Bushing.....	6		1916518	Console (Incl. Refs. 71 & 72). See (C) (D)...	1
17	1185506	Self-Locking Jam Nut, 3/8-16.....	2	70	1185585	Flip Grommet.....	1
18	1740011	Extension Spring.....	1	71	1767333	Instructions Decal. See (A) (B).....	1
19	1729440	Idler Pulley.....	1		1916517	Instructions Decal. See (C) (D).....	1
20	1186334	Flange Bolt, 5/16-18 x 1-3/4.....	1	72	1771739	Wheel Control Decal.....	1
21	1739935	Idler Arm.....	1	74	1764711	Shift Quadrant.....	1
22	1186329	Flange Bolt, 5/16-18 x 3/4.....	2	76	1742250	S-Hook.....	1
23	1757841	Control Arm.....	1	77	1703011	Cotter Spring.....	1
25	1739838010	Bottom Cover. See (A) (B).....	1	78	1100047	Hex Head Bolt, 3/8-16 x 1-1/2.....	1
	1739838021	Bottom Cover. See (C) (D).....	1	79	1745499	Idler Pulley.....	1
26	1186345	Flange Bolt, 3/8-16 x 3/4.....	4	81	1746607	Plastic Tubing.....	1
27	1764739	Right Control Handle.....	1	82	1107381	Flat Washer, 1/4.....	6
29	1186231	Hex Nut, 3/8-16.....	1	83	1724879	Cord Clip.....	2
30	1757832010	Right Handle Bar. See (A) (B).....	1	84	1773905	Bushing.....	2
	1757832021	Right Handle Bar. See (C) (D).....	1	85	1748836	Connector Body.....	1
31	1760196	Control Bracket.....	1	86	1186424	Pop Rivet, 1/8.....	2
32	1739932	Control Arm.....	1	87	1773904	Resistor.....	2
33	1186258	Jam Nut, 5/16-18.....	1	88	1746516	Clamp.....	2
34	1890234	Flat Washer, 1/2.....	3	90	1764733	Flat Spring.....	1
35	1706782	Bowed Washer.....	1	91	1755779	Flange Bearing.....	2
36	1740989	S-Hook.....	1	92	1115931	Round Head Bolt, 1/4-20 x 5/8.....	4
37	1100356	Cotter Pin, 3/32 x 1.....	1	93	1758146	Switch Nut.....	1
38	1739756	Cross Member.....	1	94	1758147	Switch Cap.....	1
39	1186393	Flange Nut, 3/8-16.....	1	95	1100346	Cotter Pin, 3/32 x 3/4.....	2
40	1100805	Cap Screw, 1/4-20 x 3/4.....	2	96	1763219	Shoulder Bolt.....	1
41	1743493	Drive Pin, 1/8 x 3/4.....	1	97	1764740	Adjusting Nut.....	2
42	1760253	Lower Control Rod.....	1	98	1764737	Control Rod.....	1
43	1713167	Compression Spring.....	1	99	1737015	Roll Pin, 1/8 x 5/8.....	1
44	1760254	Upper Control Rod.....	1	100	1715538	Nyliner Flange Bushing.....	2
45	1773906	Wiring Harness.....	1	101	1187950	Shake-Proof Washer.....	1
46	1754272	Support Assembly.....	1	102	1714243	Flange Bearing.....	2
48	1727053	Pivot Block.....	1	111	1760218	Speed Control Arm (also see Ref. 111, pgs. 4-5).....	1
49	1186229	Hex Nut, 1/4-20.....	4				
50	1764743	Auger Control Rod.....	1	112	---	Frame - see Ref. 112, pgs. 4-5).....	1
51	1721038	Connector.....	1				
52	1735531	Cable Tie.....	5				
53	1760255	Shift Control Arm.....	1				

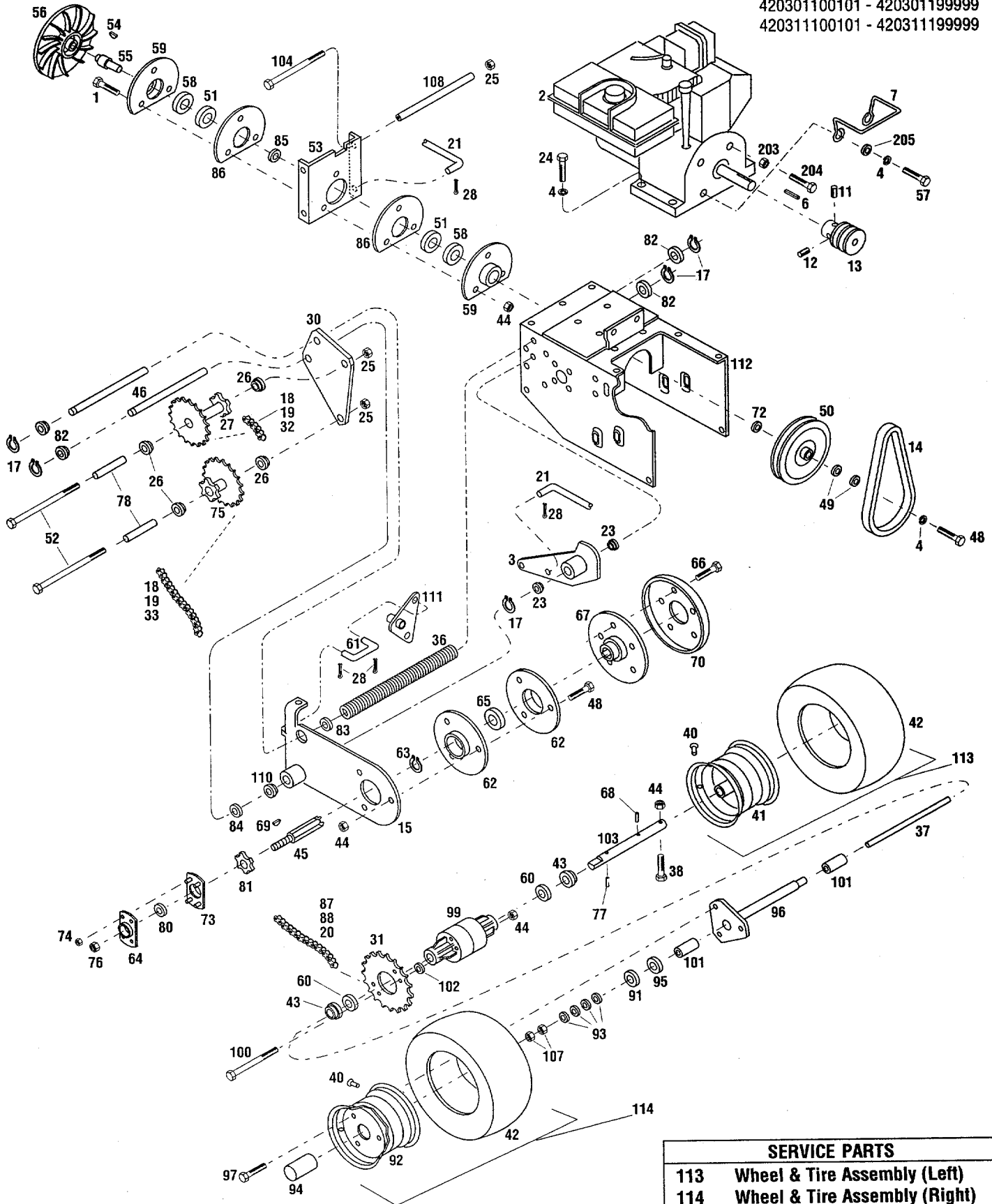
- (A) For Model 42010
- (B) For Model 42012
- (C) For Model 42030
- (D) For Model 42031

N/I Item not included with unit. Order separately.

# 24", 8 HP & 26", 10 HP Snowthrowers

## TRACTOR ASSEMBLY

420100300101 - 420101199999  
 420120300101 - 420121199999  
 420301100101 - 420301199999  
 420311100101 - 420311199999



SERVICE PARTS	
113	Wheel & Tire Assembly (Left)
114	Wheel & Tire Assembly (Right)

# Models 42010, 42012, 42030 & 42031

Ref.	Part	Description	Qty.	Ref.	Part	Description	Qty.
1	1100045	Hex Bolt, 5/16-18 x 1 .....	3	62	1739485	Bearing Retainer .....	2
2	*	Tecumseh Engine, HMSK 80, 8HP. (A) (C) .....	1	63	1736561	Snap Ring .....	1
	*	Tecumseh Engine, HMSK 100, 10HP (B) (D) .....	1	64	1720811	Bearing Flange .....	1
3	1745485	Control Arm .....	1	65	1741733	Ball Bearing .....	1
4	1100242	Lock Washer, 5/16 .....	7	66	1186327	Flange Bolt, 5/16-18 x 1/2 .....	5
6	1187474	Square Key, 1/4 x 2-1/4 .....	1	67	1739490	Friction Disc Hub .....	1
7	1749177	Belt Guide .....	1	68	1185376	Drive Pin, 3/16 x 1-1/2 .....	1
11	1774323	Set Screw, 5/16-18 x 1/2 .....	1	69	1104435	Woodruff Key .....	1
12	1733185	Set Screw, 5/16-18 x 5/8 .....	1	70	1720859	Molded Friction Disc .....	1
13	1754323	Engine Sheave .....	1	72	1709224	Special Washer .....	1
14	1751601	V-Belt .....	1	73	1720810	Bearing Flange Assembly .....	1
15	1760260	Drive Support (Incl. Ref. 110) .....	1	74	1772333	Lock Nut, #10-24 .....	4
17	1118808	Retaining Ring .....	5	75	1745497	Sprocket Assembly, 9T/30T .....	1
18	0182087	Offset Link (Half Link) .....	2	76	1185496	Jam Nut, 1/2-13 .....	1
19	1185013	Connecting Link, #41 .....	2	77	1758305	Drive Pin .....	1
20	1739454	Final Drive Chain, #40 (Requires Refs. 87 and 88) .....	1	78	1739476	Spacer .....	2
21	1745437	Control Link .....	1	80	1185808	Ball Bearing .....	1
23	1714299	Flange Bushing .....	2	81	1745495	Sprocket, 9T .....	1
24	1100799	Hex Head Bolt, 5/16-18 x 1-1/2 .....	4	82	1714233	Nylon Bushing .....	4
25	1186393	Flange Lock Nut, 3/8-16 .....	3	83	1705093	Special Flat Washer .....	1
26	1739458	Flange Bearing .....	4	84	1107386	Flat Washer, 5/8 .....	1
27	1745498	Sprocket Assembly, 9T/17T .....	1	85	1745489	Spacer .....	1
28	1100346	Cotter Pin, 3/32 x 3/4 .....	6	86	1745490	Bearing Retainer .....	2
30	1739497	Support Plate .....	1	87	1185026	Connecting Link .....	1
31	---	Sprocket, 30T (see Ref. 99) .....	1	88	1120213	Offset Link (Half Link) .....	1
32	1745880	Drive Chain (Requires Refs. 18 and 19) .....	1	91	1756230	D-Hole Drive Washer .....	1
33	1745879	Drive Chain (Requires Refs. 18 and 19) .....	1	92	1757881	Three-Hole Wheel Disc .....	1
36	1741647	Compression Spring .....	1	93	1746743	Disc Spring .....	4
37	1746744	Axle Shaft .....	1	94	1756231	Dust Cap .....	1
38	1755894	Hex Head Bolt, 5/16-18 x 1-3/4 .....	1	95	1746739	Friction Disc .....	1
40	1718086	Valve Stem .....	2	96	1758300	Flange & Axle Tube Assembly .....	1
41	1757889	Single-Hole Wheel Disc .....	1	97	1716223	Lug Bolt .....	3
42	1755826	Tire, 4.8 - 4.0 x 8 .....	2	99	1758898	Differential Assembly (Incl. one Ref. 31 and four ea. Refs. 44, 100, 102) .....	1
43	1739471	Flange Bushing, 7/8 .....	2	100	---	Hex Head Bolt, 5/16-18 x 4-1/2 (see Ref. 99) ..	4
44	1732499	Lock Nut, 5/16-18 .....	11	101	1745883	Nylon Bushing .....	2
45	1739457	Hex Shaft .....	1	102	---	Spacer (see Ref. 99) .....	4
46	1745860	Shaft Support .....	2	103	1758302	Axle Shaft .....	1
48	1100044	Cap Screw, 5/16-18 x 3/4 .....	4	104	1754303	Hex Head Bolt, 3/8-16 x 8-1/2 .....	1
49	1713233	Special Flat Washer .....	2	107	1186233	Jam Nut, 1/2-13 .....	2
50	1745488	Wheel Drive Sheave .....	1	108	1754301	Tubular Spacer .....	1
51	1743433	Ball Bearing .....	2	110	1739460	Flange Bearing .....	2
52	1110644	Capscrew, 3/8-16 x 3-1/2 .....	2	111	1760218	Speed Control Arm (also see Ref. 111, pgs. 2-3) .....	1
53	1754302	Drive Disc Support .....	1	112	1745857010	Frame (also see Ref. 112, pg. 2). See (A) (B) .	1
54	1185885	Woodruff Key, 3/16 x 5/8 .....	1		1745857021	Frame (also see Ref. 112, pg. 2). See (C) (D) .	1
55	1745535	Spindle .....	1	113	1757886	Wheel & Tire Assembly (Incl. Refs. 40,41,42) .	1
56	1720918	Drive Plate .....	1	114	1757880	Wheel & Tire Assembly (Incl. Refs. 40,42,92) .	1
57	1100005	Hex Head Bolt, 5/16-24 x 1 .....	2	203	1186211	Hex Nut, 5/16-24 .....	1
58	1718781	Shim .....	A/R	204	1111706	Screw, Hex Cap, 5/16-24 x 4 .....	1
59	1739488	Bearing Retainer .....	2	205	1100255	Flat Washer, 5/16 .....	2
60	1740002	Flat Washer, 7/8 .....	4				
61	1760252	Connecting Link .....	1				

(A) For Model 42010  
 (B) For Model 42012  
 (C) For Model 42030  
 (D) For Model 42031

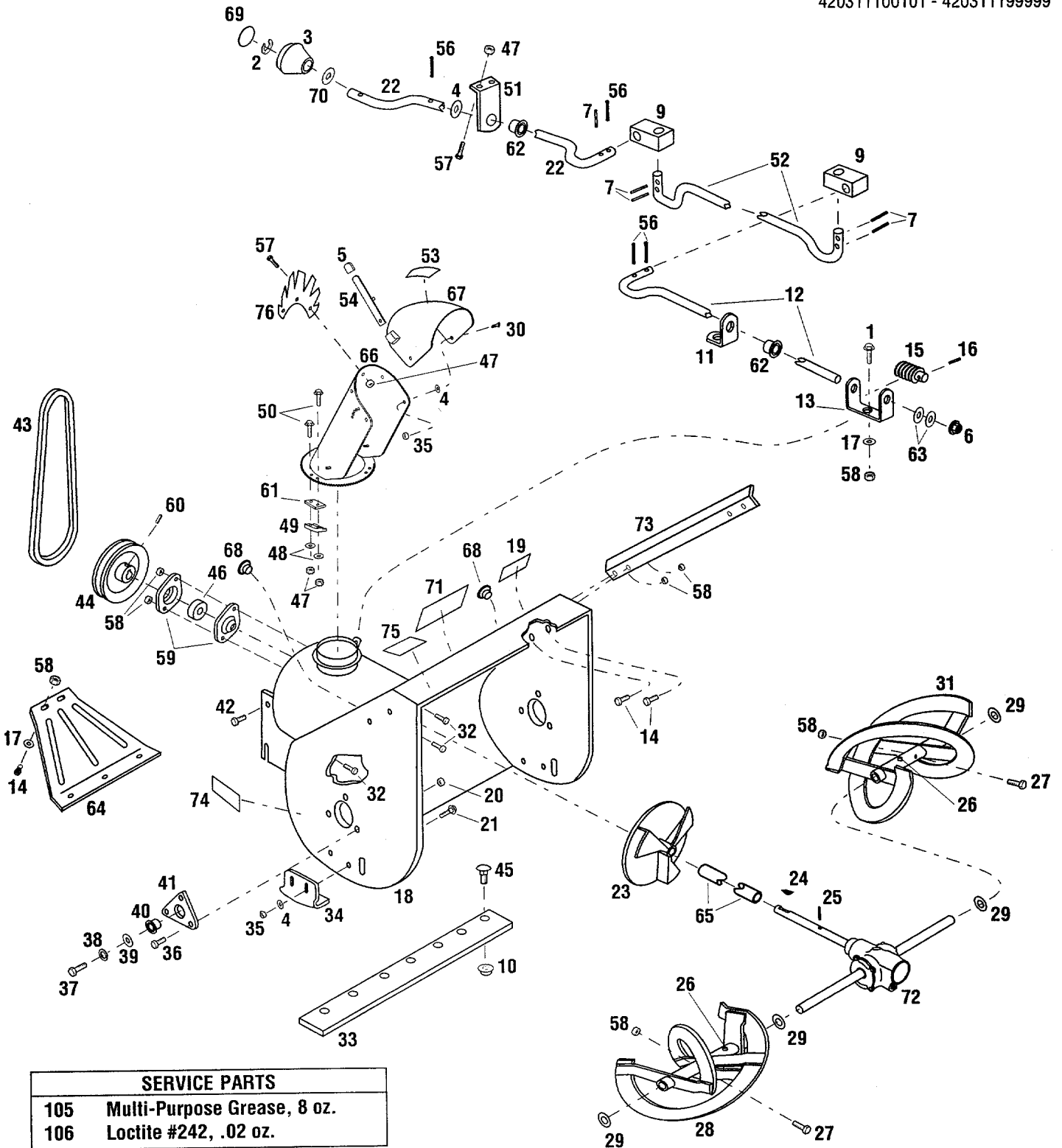
\* Purchase engine parts from the nearest authorized Tecumseh engine dealer. Refer to engine for type and code.

A/R - As Required

# 24", 8 HP & 26", 10 HP Snowthrowers

## CASTER ASSEMBLY

420100300101 - 420101199999  
 420120300101 - 420121199999  
 420301100101 - 420301199999  
 420311100101 - 420311199999



SERVICE PARTS	
105	Multi-Purpose Grease, 8 oz.
106	Loctite #242, .02 oz.

# Models 42010, 42012, 42030 & 42031

Ref.	Part	Description	Qty.	Ref.	Part	Description	Qty.
1	1186329	Flange Bolt, 5/16-18 x 3/4.....	1	37	1100053	Hex Head Cap Screw, 1/2-13 x 3/4 .....	2
2	1185403	Retainer, 3/8 .....	1	38	1100245	Lock Washer, 1/2.....	2
3	1757843	Knob .....	1	39	1100257	Flat Washer, 1/2.....	2
4	1107383	Flat Washer, 3/8.....	7	40	1185846	Flange Bearing .....	2
5	1737499	Grip.....	1	41	1720922	Bearing Support.....	2
6	1185984	Flange Nut, 3/8-16 .....	1	42	1185798	Flange Bolt, 3/8-16 x 1/2.....	2
7	1177625	Roll Pin, 1/8 x 3/4 .....	5	43	1772310	V-Belt .....	1
9	1714782	Swivel Block .....	2	44	1725282	Auger Sheave .....	1
10	1186391	Flange Nut, 5/16-18 (A) (C).....	5	45	1186097	Carriage Bolt, 5/16-18 x 5/8 (A) (C) .....	5
		Flange Nut, 5/16-18 (B) (D) .....	7			Carriage Bolt, 5/16-18 x 5/8 (B) (D).....	7
11	1754424	Crank Support .....	1	46	1741640	Ball Bearing .....	1
12	1756141	Chute Control Shaft .....	1	47	1772333	Lock Nut, #10-24.....	11
13	1735869	Gear Support .....	1	48	1103959	Flat Washer, #10.....	6
14	1100044	Hex Head Cap Screw, 5/16-18 x 3/4 .....	6	49	1724869	Hold-Down Clip .....	3
15	1724870	Worm Gear .....	1	50	1752461	Sems Screw, #10-24 x 7/8.....	6
16	1724885	Drive Pin, 3/32 x 3/4.....	1	51	1757840010	Chute Control Support (A) (B) .....	1
17	1100255	Flat Washer, 5/16.....	3		1757840021	Chute Control Support (C) (D).....	1
18	1774143	Housing Assembly (Incl. Ref. 19), 24" (A)....	1	52	1757824	Chute Crank Rod.....	1
	1774145	Housing Assembly (Incl. Ref. 10, 19, 33 & 45), 26" (B) .....	1	53	1750692	Warning Decal .....	1
	1774144	Housing Assembly (Incl. Ref. 19), 24" (C)....	1	54	1723643001	Adjusting Lever.....	1
	1774146	Housing Assembly (Incl. Ref. 10, 19, 33 & 45), 26" (D) .....	1	56	1185147	Cotter Pin, 3/32 x 1/2.....	4
19	1750691	Warning Decal .....	1	57	1737940	Truss-Head Bolt, #10-24 x 3/8.....	5
20	1734398	Lock Nut, 1/4-20.....	6	58	1732499	Lock Nut, 5/16-18.....	11
21	1186126	Carriage Bolt, 3/8-16 x 3/4.....	4	59	1185838	Flange Bearing .....	2
22	1757836	Chute Control Crank .....	1	60	1737419	Set Screw, 5/16-18 x 3/4 .....	2
23	1745799001	Fan.....	1	61	1752460	Shim .....	4
24	1200033	HyPro Key, 3/16 x 3/4.....	1	62	1714243	Nylon Bushing .....	2
25	1185348	Roll Pin, 1/4 x 1-1/4.....	2	63	1737957	Nylon Washer .....	2
26	1185803	Grease Fitting.....	4	64	1754572010	Housing Support (A) (B).....	1
27	1735625	Shear Bolt Kit (Incl. one ea. shear bolt and Ref. 58 lock nut).....	1		1754572021	Housing Support (C) (D) .....	1
28	1725117001	Auger, R.H. (A) (C) .....	1	65	1753357	Sleeve .....	1
	1725113001	Auger, R.H. (B) (D) .....	1	66	1771718010	Discharge Chute Assembly (A) (B) .....	1
29	1185816	Special Washer, 1-1/64 .....	6		1771718021	Discharge Chute Assembly (C) (D) .....	1
30	1100068	Hex Head Cap Screw, 3/8-16 x 3/4 .....	2	67	1759140	Discharge Cap (Incl. Ref. 53).....	1
31	1725116001	Auger, L.H. (A) (C) .....	1	68	1750969	Button Plug.....	2
	1725112001	Auger, L.H. (B) (D) .....	1	69	1758058	Spun Silver Inlay.....	1
32	1186098	Carriage Bolt, 5/16-18 x 3/4.....	2	70	1890945	Flat Washer, 3/8.....	1
33	1740553010	Scraper Blade (A) .....	1	71	1767335	Housing Logo Decal (A).....	1
	1758136010	Scraper Blade (B) .....	1		1757857	Housing Logo Decal (B).....	1
	1740553021	Scraper Blade (C) .....	1		1916563	Housing Logo Decal (C).....	1
	1758136021	Scraper Blade (D) .....	1		1916564	Housing Logo Decal (D) .....	1
34	1728567010	Runner (A) (B) .....	2	72	1739792	Gear Case Assembly (A) (C) .....	1
	1728567021	Runner (C) (D).....	2		1739793	Gear Case Assembly (B) (D) .....	1
35	1733398	Lock Nut, 3/8-16 .....	6	73	1715427001	Drift Slicer (for complete kit, see pg. 10)....	2
36	1111599	Hex Head Cap Screw, 1/4-20 x 5/8 .....	6	74	1757860	Housing Side Decal.....	2
				75	1901900	American Legend Decal .....	1
				76	1771274	Chute Deflector .....	1
				105	1723479	Multi-Purpose Grease, 8 oz.....	N/I
				106	97092	Loctite #242, .02 oz.....	N/I

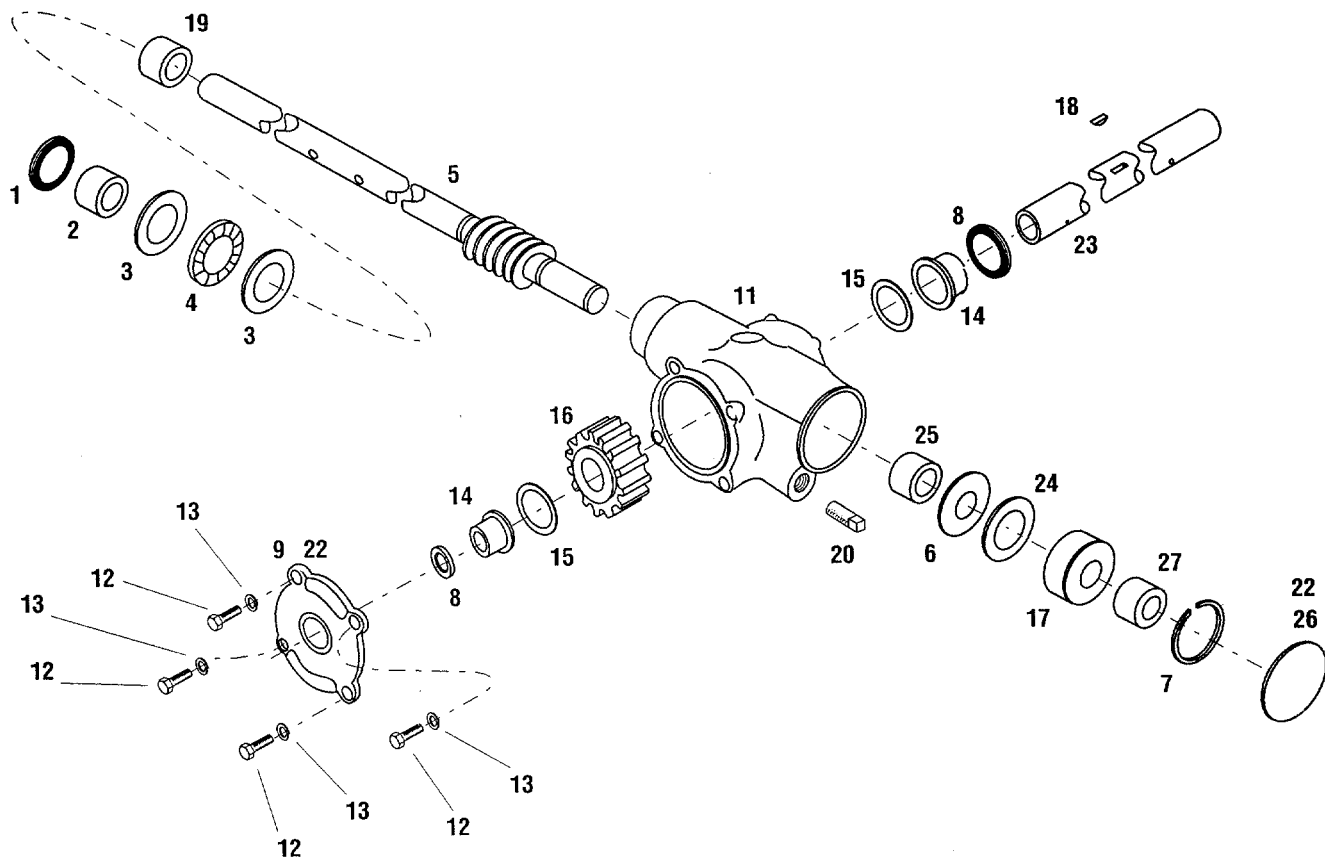
A) For Model 42010  
 B) For Model 42012  
 C) For Model 42030  
 D) For Model 42031

N/I Item not included with unit. Order separately.

# 24", 8 HP & 26", 10 HP Snowthrowers

## GEAR CASE ASSEMBLY

420100300101 - 420101199999  
420120300101 - 420121199999  
420301100101 - 420301199999  
420311100101 - 420311199999



SERVICE PARTS	
101	Gear Lube, EP 90, 8 oz.



# Models 42010 & 42012

Ref.	Part	Description	Qty.	Ref.	Part	Description	Qty.
1	1185224	Oil Seal.....	1	16	1720933	Worm Gear, 20T.....	1
2	1185374	Needle Bearing.....	1	17	1720763	Spacer.....	1
3	1185841	Thrust Race.....	2	18	1100276	Woodruff Key, 1/4 x 7/8.....	1
4	1185431	Roller Thrust Bearing.....	1	19	1741774	Spacer.....	1
5	1739790	Impeller Shaft.....	1	20	1105620	Square Head Plug, 1/4-18 NPT.....	1
6	1185842	Washer.....	1	22	†	Sealant.....	N/I
7	1118726	Internal Retaining Ring.....	1	23	1721715	Auger Shaft (A) (C).....	1
8	1773207	Oil Seal.....	2		1720894	Auger Shaft (B) (D).....	1
9	1773170001	Flanged Cover.....	1	24	1185840	Thrust Race.....	2
11	1735894001	Gear Case.....	1	25	1741775	Spacer.....	1
12	1741832	Hex-Head Cap Screw, 1/4-20 x 5/8.....	4	26	1112634	Welch Plug.....	1
13	1100241	Lock Washer, 1/4.....	4	27	1185568	Needle Bearing.....	1
14	1185728	Flange Bearing.....	2	101	1700182	Gear Lube, EP 90, 8 Oz.....	N/I
15	1185815	Thrust Race.....	2				

- (A) For Model 42010
- (B) For Model 42012
- (C) For Model 42030
- (D) For Model 42031

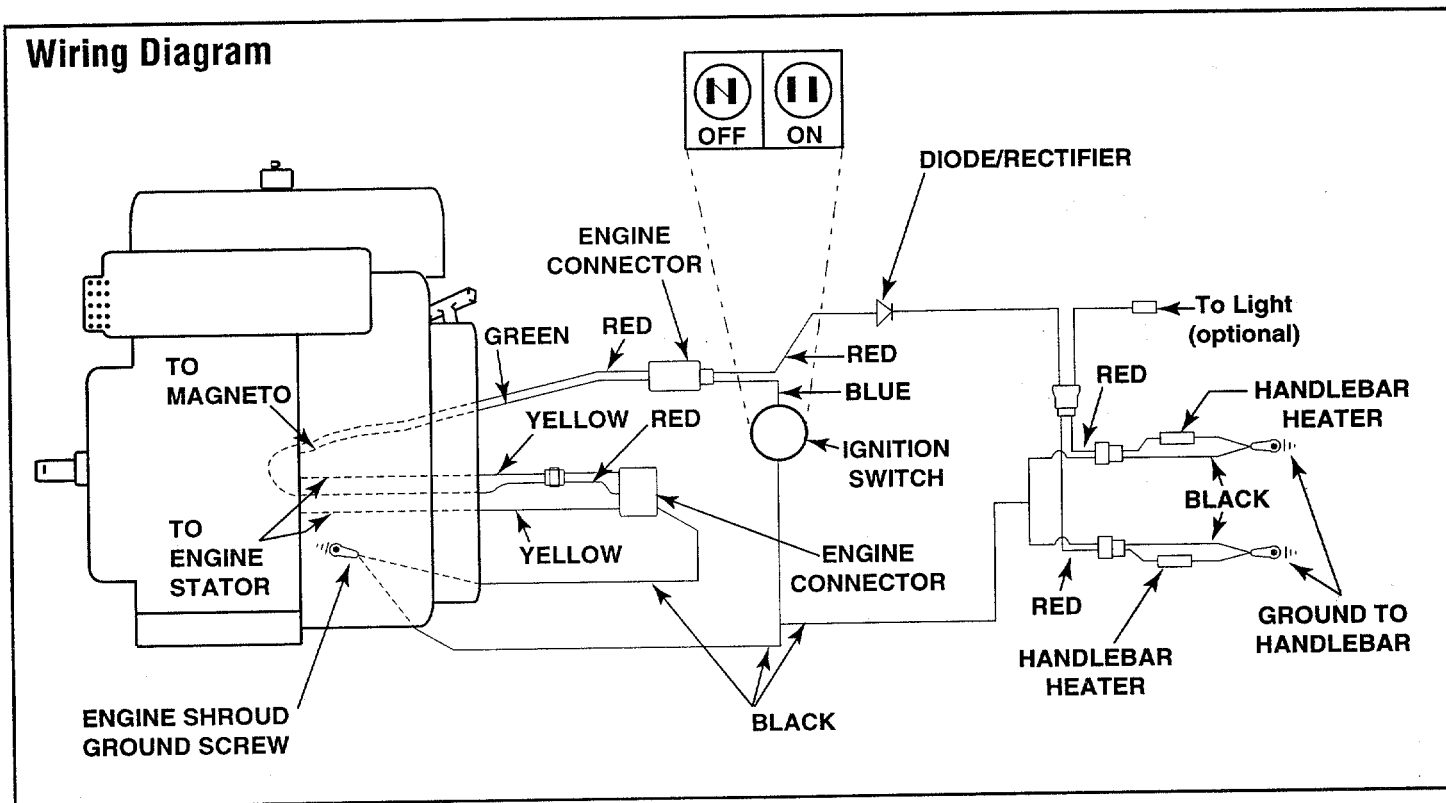
† Use General Electric SILMATE #RTV 1473 or equivalent. Obtain locally.

N/I Item not included with unit. Order separately.

# 24", 8 HP & 26", 10 HP Snowthrowers

WIRING DIAGRAM • ATTACHMENTS • KITS

420100300101 - 420101199999  
 420120300101 - 420121199999  
 420301100101 - 420301199999  
 420311100101 - 420311199999



Below is a list of attachments and kits available for your snowthrower. The information is the most current at the time this catalog was printed. Check with your authorized dealer or contact the factory for additional information.

Number	Description	Number	Description
42501	Blizzard Pack	1756278	Tire Chains
42500	Cab Kit	6857	Starter Kit-110 Volt A.C. (U.S.A. only)
10771	Drift Slicer Kit (2 slicers and hardware)	16008	Starter Kit-12 Volt D.C.
16009	Light Kit	1771731	Service Kit (belts, spark plug, oil, etc.)



# Parts Ordering Information

---

## If you need service or parts:

For service assistance or parts, contact your local authorized dealer or the factory.

Your local dealer or the factory service department will need to know the model/serial numbers of the unit to provide the most efficient service. See below for information on how to identify and record the identification numbers for the unit.

## If you need engine service or parts:

For engine service or parts, contact your local authorized engine dealer. Look in the yellow pages of the phone book under "Engines—Gasoline" for the name of your nearest authorized engine dealer. An authorized engine dealer can handle all parts, repairs, and warranty service concerning the engine.

### Note:

All replacement parts must conform to our rigid quality specifications. Although some replacement parts we provide may vary slightly in shape, color or texture from the original parts, any variations will not affect the fit or performance of these parts on your unit.

## WARNING

**WE URGE USING ONLY GENUINE REPLACEMENT PARTS, WHICH MEET ALL THE LATEST REQUIREMENTS. REPLACEMENT PARTS MANUFACTURED BY OTHERS COULD PRESENT SAFETY HAZARDS, EVEN THOUGH THEY MAY FIT ON THE UNIT!**

---

### IMPORTANT:

**Left and right sides of the unit are determined by standing behind the unit, in the operator's position, and facing the direction of forward travel.**

### NOTICE:

**We reserve the right to change specifications, add improvements or discontinue the manufacture of any of our equipment without notice or obligation to purchasers of our equipment.**

# Identification Numbers

---

## Record the model/serial numbers

When ordering parts from us or your local servicing dealer, provide the unit's model/serial number. For your convenience and ready reference, record this information below:

Model/Serial Number: \_\_\_\_\_

Engine Model/Serial/Spec. Numbers: \_\_\_\_\_

Date of Purchase: \_\_\_\_\_

*For customer assistance, contact your nearest authorized dealer or:*

GARDEN WAY INCORPORATED • 1 Garden Way • Troy, New York U.S.A. 12180  
Customer Service: 1-800-437-8686 • Technical Service: 1-800-520-5520 • Parts Service: 1-800-648-6776 • FAX: (518) 391-7332

Outside the U.S.A. and Canada:  
Customer Service: (518) 391-7007 • Technical Service: (518) 391-7008 • Parts Service: (518) 391-7006 • FAX: (518) 391-7332