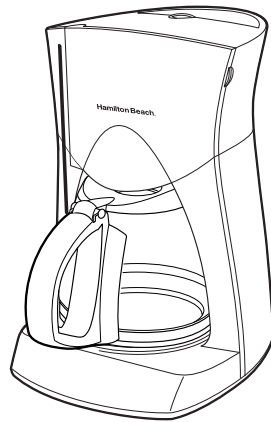


Hamilton Beach®

FlavorPlus™ Coffeemaker



Thank you for buying a
Hamilton Beach coffeemaker.
You have made an excellent choice!
All of our coffeemakers are
manufactured to the highest
levels of quality and
performance specifications.
We hope that you enjoy it!

English..... 2
USA: 1-800-851-8900

IMPORTANT SAFEGUARDS

When using electrical appliances, basic safety precautions should always be followed to reduce the risk of fire, electric shock, and/or injury to persons, including the following:

1. Read all instructions.
2. Do not touch hot surfaces. Use handles or knobs. Care must be taken, as burns can occur from touching hot parts or from spilled, hot liquid.
3. To protect against electric shock, do not place cord, plug or coffeemaker in water or other liquid.
4. Close supervision is necessary when any appliance is used by or near children.
5. Unplug from outlet when either the coffeemaker or clock is not in use and before cleaning. Allow to cool before putting on or taking off parts and before cleaning the appliance.
6. Coffeemaker must be operated on a flat surface away from the edge of counter to prevent accidental tipping.
7. Do not operate any appliance with a damaged cord or plug, or after the appliance malfunctions or is dropped or damaged in any manner. Call our toll-free customer service number for information on examination, repair, or adjustment.
8. The use of accessory attachments not recommended by Hamilton Beach/Proctor-Silex, Inc. may result in fire, electrical shock or personal injury.
9. Do not use outdoors.
10. Do not let cord hang over edge of table or counter or touch hot surfaces, including stove.
11. The carafe is designed for use with this coffeemaker. It must never be used on a range top or in a microwave oven.
12. Do not set a hot carafe on a wet or cold surface.
13. Do not use a cracked carafe or one with loose or weakened handle.
14. Do not clean carafe or hot plate with cleansers, steel wool pads, or other abrasive material.
15. Be certain carafe lid is securely in place during brew cycle and when pouring coffee. Do not use force when placing lid on carafe.

2

16. Do not place coffeemaker on or near a hot gas or electric burner or in a heated oven.
17. Warning: To reduce the risk of fire or electric shock, do not remove the bottom cover. No user serviceable parts are inside. Repair should be done by authorized service personnel only.
18. Do not use appliance for other than intended use.

SAVE THESE INSTRUCTIONS!

CONSUMER SAFETY INFORMATION

This appliance is intended for household use only.

This appliance is equipped with a polarized plug. This type of plug has one blade wider than the other. The plug will fit into an electrical outlet only one way. This is a safety feature intended to help reduce the risk of electrical shock. If you are unable to insert the plug into the outlet, try reversing the plug. If the plug should still fail to fit, contact a qualified electrician to replace the obsolete outlet. Do not attempt to defeat the safety purpose of the polarized plug by modifying the plug in any way.

The length of the cord used on this appliance was selected to reduce the hazards of becoming tangled in, or tripping over a longer cord. If a longer cord is necessary an approved extension cord may be used. The electrical rating of the extension cord must be equal to or greater than the rating of the coffeemaker.

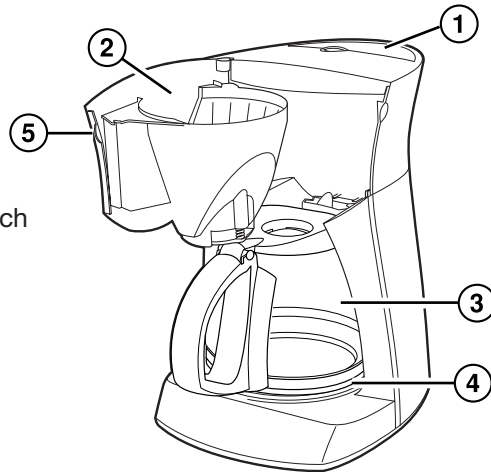
Care must be taken to arrange the extension cord so that it will not drape over the countertop or tabletop where it can be pulled on by children or accidentally tripped over.

To avoid an electrical circuit overload, do not use another high wattage appliance on the same circuit with your coffeemaker.

3

Know Your Coffeemaker

1. Reservoir
2. Removable, Swing-Out Brew Basket
3. Carafe
4. Keep-Hot Plate
5. Brew Basket Latch



To Make Coffee

1. Before first use, clean coffeemaker by following steps listed in "To Clean the Inside of the Coffeemaker." Use either clear water or vinegar.
 2. Place a #4 cone-shaped disposable paper filter in the brew basket.
 3. For each cup of coffee being made, place one level scoop (or 1 tablespoon) of coffee into filter; close brew basket, making sure it is fully closed.
- NOTES:**
- The amount of ground coffee used depends on personal taste preference.
 - Medium ground coffee is recommended.

4

4. Fill carafe with the desired amount of cold tap water.
5. Pour water from carafe into reservoir.
6. Place carafe, with carafe lid attached, on Keep-Hot Plate.

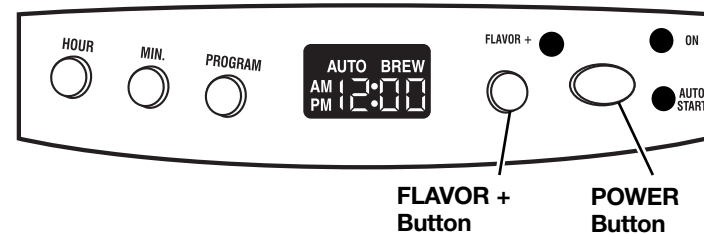
If Clock Model:

- Push the **Power** button twice; the green ON light will glow.
- NOTE:** If the **POWER** button is pushed only once, the Automatic Brew function will be initiated and the unit will not brew immediately (see page 6).
- If desired, push the **Flavor +** button for that option.
- When finished push the **Power** button to turn off and unplug coffeemaker.

If Switch Model:

- Switch the coffeemaker on.
- When finished, turn off and unplug.

Control Panel (clock model)



5

Programmable Clock/Timer (clock models only)

To Set Clock:

1. Plug in coffeemaker. Numbers on the clock will flash until you set time of day.
2. To set time of day, press **HOUR** button to establish current hour with AM or PM.
3. Press **MIN.** button until you reach the current time.

To Program Automatic Brew:

1. Make sure clock is set for correct time of day.
2. While holding **PROGRAM** button, press the **HOUR** and **MIN.** buttons until desired brewing time is reached.
3. Once brewing time has been set, follow this procedure:
 - Follow steps 2–6 in “To Make Coffee.”
 - Push **POWER** button once and the red Auto Start light will glow indicating the brew cycle will begin at the set time.
NOTE: If the **POWER** button is pushed twice, brewing will begin immediately (see page 5).
 - If desired, push the **FLAVOR +** button for that option.

Cleaning Instructions

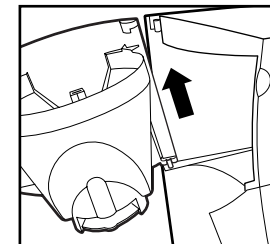
To Clean the Inside of the Coffeemaker:

1. Plug in coffeemaker. Set clock if clock model.
2. Place empty carafe on Keep-Hot Plate. Close empty brew basket.
3. Pour one pint of plain white vinegar into the reservoir.
4. Turn ON. After 30 seconds turn OFF.
5. Wait 30 minutes to allow the vinegar to clean. Then turn ON again. When the brew cycle is finished, turn OFF.

6. Empty carafe and rinse. Pour one carafe of cold tap water into the reservoir. Place carafe on Keep-Hot Plate.
7. Turn ON. When the brew cycle is finished, empty the carafe. Repeat this process with one more carafe of cold tap water.
8. Turn OFF when complete.
9. Wash carafe and brew basket before making a beverage.

To Clean Carafe and Brew Basket

1. To remove the carafe lid, hold the carafe handle. Lift the carafe lid and pull one side out of the hinge, then the other side.
2. To remove the brew basket, swing open, lift up, then tilt the basket out at the top to release.
3. Carafe, lid, and brew basket should be washed in hot, soapy water. The carafe and lid can also be washed in the top rack of a dishwasher. Do not place the brew basket in the dishwasher.
4. To replace the brew basket, place the pin on bottom of basket into bottom hole. See illustration. Then align top portion to drop in place.



To Clean Exterior of Coffeemaker

Wipe exterior of coffeemaker with a soft cloth or sponge and warm, soapy water. Do not use abrasive cleansers as they will scratch the finish of the product.

Features (available on selected models)

Flavor+™ Feature (clock models only)

The Flavor+™ cycle optimizes coffee flavor and aroma by more thoroughly extracting coffee flavor from the grounds. After turning the coffeemaker on, press this button. It will begin to brew after 30 seconds and then pause. The coffeemaker will cycle on and off (every 30 seconds) for the first 5 cups of coffee. It will then complete the cycle for any remaining cups of coffee as a continuous operation. The Flavor+™ cycle extends brewing time versus the regular coffee brewing cycle.

Pause 'N Serve

This feature allows you to pour a cup of coffee before the entire brew cycle has completed. By removing the carafe, the flow of coffee will temporarily stop. The flow of coffee will resume when carafe is returned to the Keep-Hot Plate. Do not remove carafe more than 20 seconds or brew basket may overflow.

Automatic Shutoff (clock models only)

The Automatic Shutoff feature shuts off the Keep-Hot Plate two hours after brew cycle begins. Always turn coffeemaker OFF and unplug when finished.

CARAFE SAFETY PRECAUTIONS



This symbol alerts you to the potential danger for personal injury if you fail to read and follow these safety precautions.



This symbol reminds you that glass is fragile and can break which could result in personal injury.

- Do not use a cracked carafe or a carafe having a loose or weakened handle.
- This carafe is designed to be used only on the Keep-Hot plate of your coffeemaker. Do not use on a gas or electric rangetop, or in a microwave or conventional oven.
- To avoid breakage, handle carafe with care. Avoid impact. Glass will break as a result of impact. Use care when filling with water to avoid hitting faucet.
- Do not place hot carafe on cool or wet surface. Allow to cool before washing or adding liquids.
- Do not place hot carafe on or near paper, cloth, or other flammable material.
- Do not move the coffeemaker when the carafe contains hot liquid.
- Do not set empty carafe on a hot heating surface.
- Do not clean with steel wool pads, abrasive cleanser, or any other materials that may scratch.
- Do not place hands inside carafe. When handling, be careful if wearing any hand jewelry, especially diamond rings. Jewelry can scratch the glass, which increases possibility of breakage.
- Do not bump, scratch, or boil dry.
- Discard carafe if it is cracked, scratched, or heated while empty for an extended period of time.
- To avoid accidents, do not pour in the direction of people.
- If stirring in the carafe, use only wooden, plastic, or rubber utensils. Do not use metal utensils.
- Follow the above safety precautions carefully to avoid serious burn injuries which may result if breakage occurs while carafe holds heated liquids.

Customer Service

If you have a question about your coffeemaker, call our toll-free customer service number. Before calling, please note the model, type, and series numbers and fill in that information below. These numbers can be found on the bottom of your coffeemaker. This information will help us answer your question much more quickly.

MODEL: _____ **TYPE:** _____ **SERIES:** _____

LIMITED WARRANTY

This product is warranted to be free from defects in material and workmanship for a period of two (2) years for Hamilton Beach Portfolio products or one (1) year for Hamilton Beach products from the date of original purchase, except as noted below. During this period, we will repair or replace this product, at our option, at no cost. THE FOREGOING WARRANTY IS IN LIEU OF ANY OTHER WARRANTY, WHETHER EXPRESS OR IMPLIED, WRITTEN OR ORAL INCLUDING ANY WARRANTY OF MERCHANTABILITY OR FITNESS FOR A PARTICULAR PURPOSE. ANY LIABILITY IS EXPRESSLY LIMITED TO AN AMOUNT EQUAL TO THE PURCHASE PRICE PAID, AND ALL CLAIMS FOR SPECIAL, INCIDENTAL AND CONSEQUENTIAL DAMAGES ARE HEREBY EXCLUDED. There is no warranty with respect to the following, which may be supplied with this product: glass parts, glass containers, cutter/strainer, blades, and/or agitators. This warranty extends only to the original consumer purchaser and does not cover a defect resulting from abuse, misuse, neglect, use for commercial purposes, or any use not in conformity with the printed directions. This warranty gives you specific legal rights, and you may also have other legal rights which vary from state to state, or province to province. Some states or provinces do not allow limitations on implied warranties or special, incidental or consequential damages, so the foregoing limitations may not apply to you.

If you have a claim under this warranty, DO NOT RETURN THE APPLIANCE TO THE STORE! Please call our CUSTOMER SERVICE NUMBER. (For faster service please have model, series, and type numbers ready for operator to assist you.)

CUSTOMER SERVICE NUMBERS

In the U.S. 1-800-851-8900

In Canada 1-800-267-2826

Web site address: www.hamiltonbeach.com

KEEP THESE NUMBERS FOR FUTURE REFERENCE!

HAMILTON BEACH ♦ PROCTOR-SILEX, INC.
263 Yadkin Road, Southern Pines, NC 28387

PROCTOR-SILEX CANADA, INC.
Picton, Ontario K0K 2T0