

# FIRESTORM<sup>®</sup>

HIGH PERFORMANCE TOOLS

OUTILS À HAUT RENDEMENT  
HERRAMIENTAS DE ALTO RENDIMIENTO

BY BLACK & DECKER

## 1/2" (13mm) Hammer Drill

# INSTRUCTION MANUAL

CATALOG NUMBER  
FS6000HD



BEFORE RETURNING THIS PRODUCT  
FOR ANY REASON PLEASE CALL

1-800-54-HOW-TO (544-6986)

IF YOU SHOULD EXPERIENCE A PROBLEM  
WITH YOUR BLACK & DECKER PRODUCT,  
CALL 1-800-54-HOW-TO (544-6986)

BEFORE YOU CALL, HAVE THE FOLLOWING INFORMATION AVAILABLE, CATALOG No.,  
TYPE No., AND DATE CODE. IN MOST CASES, A BLACK & DECKER REPRESENTATIVE CAN  
RESOLVE THE PROBLEM OVER THE PHONE. IF YOU HAVE A SUGGESTION OR COMMENT,  
GIVE US A CALL. YOUR FEEDBACK IS VITAL TO BLACK & DECKER.

### SAVE THIS MANUAL FOR FUTURE REFERENCE.

### VEA EL ESPAÑOL EN LA CONTRAPORTADA.

INSTRUCTIVO DE OPERACIÓN, CENTROS DE SERVICIO Y  
PÓLIZA DE GARANTÍA. **ADVERTENCIA:** LEA ESTE  
INSTRUCTIVO ANTES DE USAR EL PRODUCTO.

Cat. No. FS6000HD Form No. 622675-00 (JAN-04) Copyright © 2004 Black & Decker Printed in China

### General Safety Rules

**WARNING:** Read and understand all instructions. Failure to follow all instructions listed below may result in electric shock, fire and/or serious personal injury.

### SAVE THESE INSTRUCTIONS

#### WORK AREA

- Keep your work area clean and well lit. Cluttered benches and dark areas invite accidents.
- Do not operate power tools in explosive atmospheres, such as in the presence of flammable liquids, gases, or dust. Power tools create sparks which may ignite the dust or fumes.
- Keep bystanders, children, and visitors away while operating a power tool. Distractions can cause you to lose control.

#### ELECTRICAL SAFETY

- Double insulated tools are equipped with a polarized plug (one blade is wider than the other.) This plug will fit in a polarized outlet only one way. If the plug does not fit fully in the outlet, reverse the plug. If it still does not fit, contact a qualified electrician to install a polarized outlet. Do not change the plug in any way. Double insulation  eliminates the need for the three wire grounded power cord and grounded power supply system.
- Avoid body contact with grounded surfaces such as pipes, radiators, ranges and refrigerators. There is an increased risk of electric shock if your body is grounded.
- Don't expose power tools to rain or wet conditions. Water entering a power tool will increase the risk of electric shock.
- Do not abuse the cord. Never use the cord to carry the tools or pull the plug from an outlet. Keep cord away from heat, oil, sharp edges or moving parts. Replace damaged cords immediately. Damaged cords increase the risk of electric shock.
- When operating a power tool outside, use an outdoor extension cord marked "W-A" or "W." These cords are rated for outdoor use and reduce the risk of electric shock.

#### PERSONAL SAFETY

- Stay alert, watch what you are doing and use common sense when operating a power tool. Do not use tool while tired or under the influence of drugs, alcohol, or medication. A moment of inattention while operating power tools may result in serious personal injury.
- Dress properly. Do not wear loose clothing or jewelry. Contain long hair. Keep your hair, clothing, and gloves away from moving parts. Loose clothing, jewelry, or long hair can be caught in moving parts. Air vents cover moving parts and should be avoided.
- Avoid accidental starting. Be sure switch is off before plugging in. Carrying tools with your finger on the switch or plugging in tools that have the switch on invites accidents.
- Remove adjusting keys or wrenches before turning the tool on. A wrench or key that is left attached to a rotating part of the tool may result in personal injury.
- Do not overreach. Keep proper footing and balance at all times. Proper footing and balance enables better control of the tool in unexpected situations.
- Use safety equipment. Always wear eye protection. Dust mask, non-skid safety shoes, hard hat, or hearing protection must be used for appropriate conditions.

#### TOOL USE AND CARE

- Use clamps or other practical way to secure and support the workpiece to a stable platform. Holding the work by hand or against your body is unstable and may lead to loss of control.
- Do not force tool. Use the correct tool for your application. The correct tool will do the job better and safer at the rate for which it is designed.
- Do not use tool if switch does not turn it on or off. Any tool that cannot be controlled with the switch is dangerous and must be repaired.
- Disconnect the plug from the power source before making any adjustments, changing accessories, or storing the tool. Such preventative safety measures reduce the risk of starting the tool accidentally.
- Store idle tools out of reach of children and other untrained persons. Tools are dangerous in the hands of untrained users.
- Maintain tools with care. Keep cutting tools sharp and clean. Properly maintained tools, with sharp cutting edges are less likely to bind and are easier to control.
- Check for misalignment or binding of moving parts, breakage of parts, and any other condition that may affect the tools operation. If damaged, have the tool

- serviced before using. Many accidents are caused by poorly maintained tools.
- Use only accessories that are recommended by the manufacturer for your model. Accessories that may be suitable for one tool, may become hazardous when used on another tool.

#### SERVICE

- Tool service must be performed only by qualified repair personnel. Service or maintenance performed by unqualified personnel could result in a risk of injury.
- When servicing a tool, use only identical replacement parts. Follow instructions in the Maintenance section of this manual. Use of unauthorized parts or failure to follow Maintenance Instructions may create a risk of electric shock or injury.

#### SPECIFIC SAFETY RULES

- Hold tool by insulated gripping surfaces when performing an operation where the cutting tool may contact hidden wiring or its own cord. Contact with a "live" wire will make exposed metal parts of the tool "live" and shock the operator.
- When working on a ladder or on scaffolding be sure to lay the tool down on its side when not in use. Some tools with large battery packs will stand upright but may be easily knocked over.

**WARNING:** Some dust created by power sanding, sawing, grinding, drilling, and other construction activities contains chemicals known to cause cancer, birth defects or other reproductive harm. Some examples of these chemicals are:

- lead from lead-based paints,
- crystalline silica from bricks and cement and other masonry products, and
- arsenic and chromium from chemically-treated lumber (CCA).

Your risk from these exposures varies, depending on how often you do this type of work. To reduce your exposure to these chemicals: work in a well ventilated area, and work with approved safety equipment, such as those dust masks that are specially designed to filter out microscopic particles.

- Avoid prolonged contact with dust from power sanding, sawing, grinding, drilling, and other construction activities. Wear protective clothing and wash exposed areas with soap and water. Allowing dust to get into your mouth, eyes, or lay on the skin may promote absorption of harmful chemicals.

**WARNING:** Use of this tool can generate and/or disburse dust, which may cause serious and permanent respiratory or other injury. Always use NIOSH/OSHA approved respiratory protection appropriate for the dust exposure. Direct particles away from face and body.

**CAUTION:** Wear appropriate hearing protection during use. Under some conditions and duration of use, noise from this product may contribute to hearing loss.

**WARNING:** Do not operate this tool for long periods of time. Vibration caused by the operating action of this tool may cause permanent injury to fingers, hands, and arms. Use gloves to provide extra cushion, take frequent rest periods, and limit daily time of use.

The label on your tool may include the following symbols.

V .....volts

Hz .....hertz

min .....minutes

— .....direct current

.....Class II Construction

.....safety alert symbol

A .....amperes

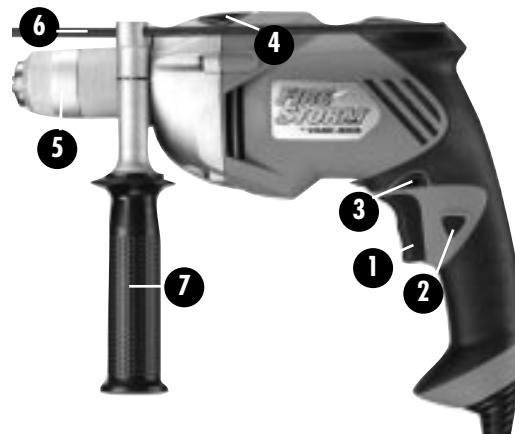
W .....watts

~ .....alternating current

n<sub>o</sub> .....no load speed

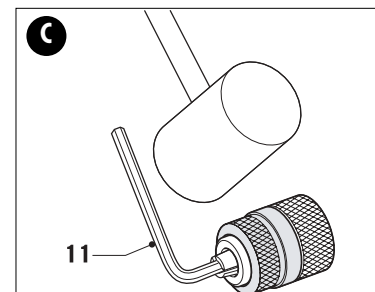
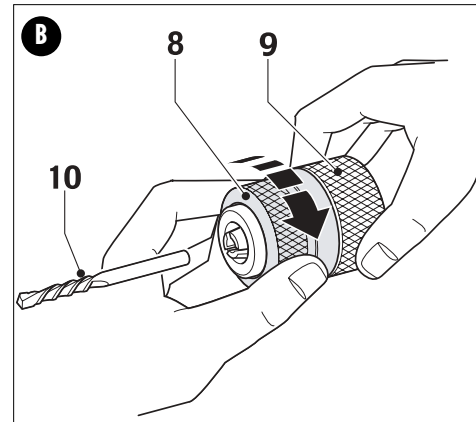
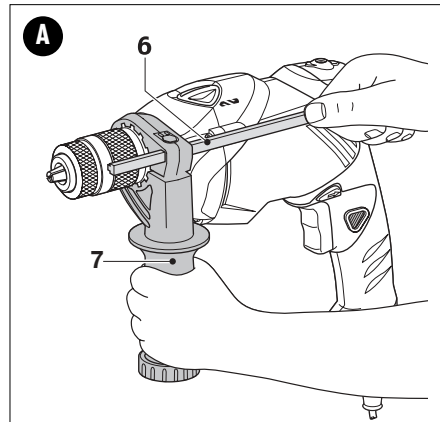
⊕ .....earthing terminal

.../min .....revolutions or  
reciprocations  
per minute



### FEATURES

1. Variable speed switch
2. Lock-on button
3. Forward/reverse slider
4. Drilling mode selector
5. Keyless chuck
6. Depth stop
7. Side handle



### SAFETY WARNINGS AND INSTRUCTIONS: DRILLS

- When drilling or driving into walls, floors or wherever live electrical wires may be encountered, DO NOT TOUCH ANY METAL PARTS OF THE TOOL! Hold the tool only by the plastic handle to prevent shock.
- Do not lock the tool ON when drilling by hand. Refer to Operating Instructions-Switch.
- Hold drill firmly to control the twisting action of the drill. If your drill is equipped with a side handle, always use the side handle.  
**WARNING:** Drill may stall (if overloaded or improperly used) causing a twist. Always expect the stall. Grip the drill firmly to control the twisting action and prevent loss of control which could cause personal injury. If a stall does occur, release the trigger immediately and determine the reason for the stall before re-starting.
- Always unplug the drill when attaching or removing accessories. When attaching accessories in the drill chuck, it is important to securely tighten the chuck using all three holes to prevent slippage. When using a keyless chuck, hand tighten firmly.

#### MOTOR

Your Black & Decker tool is powered by a Black & Decker-built motor. Be sure your power supply agrees with nameplate marking. 120 Volts AC only means your drill will operate on standard 60 Hz household power. Do not operate AC tools on DC. A rating of 120 volts AC/DC means that your tool will operate on standard 60 Hz AC or DC power. This information is printed on the nameplate. Lower voltage will cause loss of power and can result in overheating. All Black & Decker tools are factory-tested; if this tool does not operate, check the power supply.

#### USE OF EXTENSION CORDS

Make sure the extension cord is in good condition before using. Always use the proper size extension cords with the tool – that is, proper wire size for various lengths of cord and heavy



enough to carry the current the tool will draw. Use of an undersized cord will cause a drop in line voltage resulting in loss of power and overheating. For proper size cords see chart below.

| Volts         | Minimum Gage for Cord Sets   |                    |         |                 |
|---------------|------------------------------|--------------------|---------|-----------------|
|               | Total Length of Cord in Feet |                    |         |                 |
| 120V          | 0-25                         | 26-50              | 51-100  | 101-150         |
| 240V          | 0-50                         | 51-100             | 101-200 | 201-300         |
| Ampere Rating |                              | American Wire Gage |         |                 |
| More Than     | Not more Than                |                    |         |                 |
| 0             | 6                            | 18                 | 16      | 14              |
| 6             | 10                           | 18                 | 16      | 12              |
| 10            | 12                           | 16                 | 14      | 12              |
| 12            | 16                           | 14                 | 12      | Not Recommended |

## ASSEMBLY

### ⚠ WARNING:

Always unplug drill from power supply before any of the following operations.

### FITTING THE SIDE HANDLE AND DEPTH STOP (FIG.A)

- Turn the side handle grip (7) counterclockwise until you can slide the side handle onto the front of the tool as shown.
- Rotate the side handle into the desired position.
- Insert the depth stop (6) into the mounting hole as shown.
- Set the depth stop to the desired position. The maximum drilling depth is equal to the distance between the tip of the drill bit and the front end of the depth stop.
- Tighten the side handle by turning the grip clockwise.

### FITTING A DRILL BIT OR SCREWDRIVER BIT (FIG. B)

- Open the chuck by turning the front part (8) with one hand while holding the rear part (9) with the other.
- Insert the bit shaft (10) into the chuck and firmly tighten the chuck.

### REMOVING AND REFITTING THE CHUCK (FIG. C)

- Open the chuck as far as possible.
- Remove the chuck retaining screw, located in the front part of the chuck, by turning it clockwise using a screwdriver.
- Tighten an Allen key (11) into the chuck and strike it with a hammer as shown.
- Remove the Allen key.
- Remove the chuck by turning it counterclockwise.
- To refit the chuck, screw it onto the spindle and secure it with the chuck retaining screw.

## OPERATION



⚠ **WARNING:** To reduce the risk of serious personal injury, read, understand and follow all important safety warnings and instructions prior to using tool.

### SELECTING THE DIRECTION OF ROTATION

- For drilling and for tightening screws, use forward (clockwise) rotation. For loosening screws or removing a jammed drill bit, use reverse (counterclockwise) rotation.
- To select forward rotation, push the forward/reverse slider (3) to the RIGHT (when viewed from the chuck end).
- To select reverse rotation, push the forward/reverse slider (3) to the LEFT (when viewed from the chuck end).

⚠ **WARNING:** Never change the direction of rotation while the motor is running.

### SELECTING THE DRILLING MODE

- For drilling in masonry, set the drilling mode selector (4) to the  position.
- For drilling in other materials and for screwdriving, set the drilling mode selector (4) to the  position.

### SWITCHING ON AND OFF

- To switch the tool on, press the variable speed switch (1). The tool speed depends on how far you press the switch. As a general rule, use low speeds for large diameter drill bits and high speeds for smaller diameter drill bits.
  - For continuous operation, press the lock-on button (2) and release the variable speed switch. This option is available only at full speed.
  - To switch the tool off, release the variable speed switch. To switch the tool off when in continuous operation, press the variable speed switch once more and release it.
- ⚠ **WARNING:** The drill should only be locked ON when it is held stationary in a drill press stand or other means; NOT BY HAND! Never unplug the tool with the locking feature engaged. To do so will cause the tool to start immediately the next time it is plugged in.

## DRILLING

- Always unplug the drill when attaching or removing accessories. When attaching accessories in the drill chuck, it is important to securely tighten the chuck using all three holes to prevent slippage. When using a keyless chuck, hand tighten firmly.
- Use sharp drill bits only.
- Support and secure work properly, as instructed in the Safety Instructions.
- Use appropriate and required safety equipment, as instructed in the safety instructions.
- Secure and maintain work area, as instructed in the safety instructions.
- Run the drill very slowly, using light pressure, until the hole is started enough to keep the drill bit from slipping out of it.
- Apply pressure in a straight line with the bit. Use enough pressure to keep the bit biting but not so much as to stall the motor or deflect the bit.
- Hold the drill firmly to control its twisting action.**
- DO NOT CLICK THE TRIGGER OF A STALLED DRILL OFF AND ON IN AN ATTEMPT TO START IT. DAMAGE TO THE DRILL CAN RESULT.**
- Minimize stalling on breakthrough by reducing pressure and slowly drilling through the last part of the hole.
- Keep the motor running while pulling the bit out of a drilled hole. This will help reduce jamming.
- Use a cutting lubricant when drilling metals. The exceptions are cast iron and brass which should be drilled dry. The lubricants that work best are sulphurized cutting oil or lard oil. Bacon grease will also serve.
- When using twist drill bits to drill holes in wood, it will be necessary to pull the bits out frequently to clear chips from the flutes.
- Plug in drill. **Make sure switch turns drill on and off.**

## MAINTENANCE

Use only mild soap and damp cloth to clean the tool. Never let any liquid get inside the tool; never immerse any part of the tool into a liquid.

**IMPORTANT:** To assure product SAFETY and RELIABILITY, repairs, maintenance and adjustment should be performed by authorized service centers or other qualified service personnel, always using identical replacement parts.

## ACCESSORIES

Recommended accessories for use with your tool are available from your local dealer or authorized service center. If you need assistance regarding accessories, please call: **1-800-54-HOW-TO (544-6986).**

⚠ **WARNING:** The use of any accessory not recommended for use with this tool could be hazardous.

## SERVICE INFORMATION

Black & Decker offers a full network of company-owned and authorized service locations throughout North America. All Black & Decker Service Centers are staffed with trained personnel to provide customers with efficient and reliable power tool service.

Whether you need technical advice, repair, or genuine factory replacement parts, contact the Black & Decker location nearest you. To find your local service location, refer to the yellow pages directory under "Tools—Electric" or call: **1-800-54-HOW-TO.**

## FULL TWO-YEAR HOME USE WARRANTY

Black & Decker (U.S.) Inc. warrants this product for two years against any defects in material or workmanship. The defective product will be replaced or repaired at no charge in either of two ways.

The first, which will result in exchanges only, is to return the product to the retailer from whom it was purchased (provided that the store is a participating retailer). Returns should be made within the time period of the retailer's policy for exchanges (usually 30 to 90 days after the sale). Proof of purchase may be required. Please check with the retailer for their specific return policy regarding returns that are beyond the time set for exchanges.

The second option is to take or send the product (prepaid) to a Black & Decker owned or authorized Service Center for repair or replacement at our option. Proof of purchase may be required. Black & Decker owned and authorized Service Centers are listed under "Tools-Electric" in the yellow pages of the phone directory.

This warranty does not apply to accessories. This warranty gives you specific legal rights and you may have other rights which vary from state to state. Should you have any questions, contact the manager of your nearest Black & Decker Service Center. This product is not intended for commercial use.

## MAXIMUM RECOMMENDED CAPACITIES

Steel / Concrete 1/2" (13mm)

Wood 1" (25mm)

Black & Decker (U.S.) Inc.,  
701 E. Joppa Rd.  
Towson, MD 21286 U.S.A.



See 'Tools-Electric'  
— Yellow Pages —  
for Service & Sales



## MARTEAU PERFORATEUR DE 13 MM (1/2 PO)

# GUIDE D'UTILISATION

## NO DE CAT. FS6000HD

AVANT DE RETOURNER LE PRODUIT  
POUR QUELQUE RAISON QUE CE SOIT,  
COMPOSER LE

**1 800 544-6986**

### ⚠ RÈGLES DE SÉCURITÉ – GÉNÉRALITÉS


⚠ **AVERTISSEMENT :** Lire, comprendre et suivre toutes les directives précisées ci-dessous, y compris les consignes de sécurité, afin d'éviter les risques de choc électrique, d'incendie ou de blessure grave.

### Conserver le présent guide à titre de référence

### AIRE DE TRAVAIL

- L'aire de travail doit être propre et bien éclairée. Les établis encombrés et les endroits sombres peuvent entraîner des accidents.
- Ne pas faire fonctionner des outils électriques dans des atmosphères explosives, comme en présence de liquides, de gaz et de poussières inflammables. Les outils électriques produisent des étincelles qui peuvent enflammer la poussière ou les vapeurs.
- Tenir les enfants, les visiteurs ou toute autre personne à l'écart lorsqu'on utilise un outil électrique; les distractions peuvent faire perdre la maîtrise de ce dernier

### MESURES DE SÉCURITÉ – ÉLECTRICITÉ

- Les outils à double isolation sont munis d'une fiche polarisée (c'est-à-dire que l'une des lames est plus large que l'autre), laquelle ne peut être raccordée qu'à une prise polarisée et ce, dans un seul sens; on doit l'inverser si on est incapable de l'enfoncer complètement. Si la fiche ne s'adapte toujours pas, on doit faire appel à un électricien qualifié pour qu'il installe la prise appropriée. On ne doit jamais modifier la fiche. La double isolation  élimine le besoin d'installer un cordon d'alimentation trifilaire et un système d'alimentation électrique pourvus d'une mise à la terre.
- Éviter tout contact entre le corps et les éléments mis à la terre, comme les tuyaux, les radiateurs, les cuisinières et les réfrigérateurs, afin de réduire les risques de choc électrique.
- Ne pas utiliser l'outil électrique dans des endroits mouillés, ni l'exposer à la pluie; l'infiltration d'eau à l'intérieur de l'outil augmente les risques de choc électrique.
- Ne pas utiliser le cordon de manière abusive; on ne doit pas transporter l'outil en le tenant par le cordon, ou utiliser ce dernier pour le débrancher. On doit tenir le cordon à l'écart des sources de chaleur, de l'huile, des bords tranchants ou des pièces mobiles. Remplacer immédiatement les cordons endommagés, car ces derniers augmentent les risques de choc électrique.
- Lorsqu'on utilise un outil électrique à l'extérieur, on ne doit utiliser que des rallonges conçues pour cet usage, comme celles de type W-A ou W, afin de réduire les risques de choc électrique.

### SÉCURITÉ PERSONNELLE

- Rester vigilant en tout temps et faire preuve de jugement lorsqu'on utilise un outil électrique; ne pas utiliser l'outil lorsqu'on est fatigué ou sous l'influence de drogues, d'alcool ou de médicaments, car un moment d'inattention pourrait entraîner des blessures graves.
- Porter des vêtements appropriés. Ne pas porter des vêtements amples ou des bijoux. Couvrir ou attacher les cheveux longs. Garder les cheveux, les vêtements, les bijoux et les gants éloignés des pièces mobiles, car ceux-ci peuvent s'y coincer. Se tenir éloigné des événements puisque ces derniers pourraient camoufler des pièces mobiles.
- Éviter les démarrages accidentels; s'assurer que l'interrupteur est en position d'arrêt avant de brancher l'outil. Ne pas transporter l'outil en laissant le doigt sur l'interrupteur ni le brancher lorsque l'interrupteur est en position de marche, car cela pourrait causer un accident.
- Retirer les clés de réglage avant de démarrer l'outil. Une clé laissée sur une pièce rotative pourrait entraîner des blessures.
- Ne pas trop étendre les bras; les pieds doivent rester ancrés fermement au sol afin de maintenir son équilibre en tout temps et de mieux maîtriser l'outil dans des situations imprévues.
- Utiliser le matériel de sécurité approprié; toujours porter des lunettes de protection. Porter un masque anti-poussières, des chaussures antidérapantes, un casque de sécurité ou des protecteurs auditifs lorsque la situation le requiert.

### UTILISATION ET ENTRETIEN DE L'OUTIL

- Fixer et soutenir la pièce sur une plate-forme stable au moyen d'une bride de serrage ou de tout autre dispositif semblable. La pièce est instable lorsqu'on la retient manuellement ou qu'on l'appuie contre le corps, ce qui pourrait faire perdre la maîtrise de l'outil.
- Ne pas forcer l'outil ni l'utiliser pour des travaux autres que ceux pour lesquels il a été conçu. Pour obtenir de meilleurs résultats et prévenir les risques de blessure, laisser l'outil couper à la vitesse pour laquelle il a été conçu.
- Ne pas utiliser l'outil lorsque l'interrupteur marche-arrêt ne fonctionne pas. Tout outil qui ne peut être commandé au moyen de l'interrupteur est dangereux et doit être réparé.
- Débrancher l'outil de la source d'alimentation électrique avant d'effectuer un réglage, de changer les accessoires ou de ranger l'outil; ces mesures de sécurité préventives réduisent les risques de démarrage accidentel.
- Lorsqu'on n'utilise pas l'outil, le ranger hors de la portée des enfants ou des personnes non qualifiées. Les outils sont dangereux entre les mains de personnes inexpérimentées.
- Bien entretenir l'outil; s'assurer qu'il est toujours bien propre et aiguisé. Les outils bien entretenus et dont les bords sont bien tranchants sont moins susceptibles de rester coincés et sont plus faciles à maîtriser.
- Vérifier les pièces mobiles afin de s'assurer qu'elles sont bien alignées et qu'elles ne restent pas coincées. Vérifier également les pièces afin de s'assurer qu'il n'y a aucun bris ni aucune autre condition susceptible de nuire au bon fonctionnement de l'outil. Faire réparer l'outil si ce dernier est endommagé avant de s'en servir à nouveau, car les accidents sont souvent causés par des outils mal entretenus.
- N'utiliser que les accessoires recommandés par le fabricant pour le modèle concerné. Un accessoire destiné à un outil particulier peut devenir dangereux lorsqu'il est utilisé avec un autre.

### ENTRETIEN

- L'outil doit être entretenu par le personnel qualifié seulement; toute maintenance effectuée par une personne non qualifiée pourrait entraîner des risques de blessure.
- Lors de l'entretien, n'utiliser que des pièces de rechange identiques et suivre les directives précisées à la section « Entretien » du présent guide afin de prévenir les risques de choc électrique ou de blessure.



## CONSIGNES DE SÉCURITÉ PARTICULIÈRES

- Tenir l'outil par les surfaces isolées prévues à cette fin lorsqu'il risque d'entrer en contact avec des fils cachés ou son propre cordon, car de tels contacts peuvent mettre les pièces métalliques de l'outil sous tension, engendrant des risques de choc électrique
- Lorsqu'on est installé sur une échelle ou un échafaudage pour travailler, on doit déposer l'outil sur le côté lorsqu'on ne s'en sert plus. Bien que certains outils munis d'un gros bloc-pile puissent être placés à la verticale, dans cette position, ils peuvent facilement être renversés.

**⚠AVERTISSEMENT : Certains outils électriques, tels que les sableuses, les scies, les meules, les perceuses ou certains autres outils de construction, peuvent produire de la poussière contenant des produits chimiques susceptibles d'entraîner le cancer, des malformations congénitales ou pouvant être nocifs pour le système reproductif. Parmi ces produits chimiques, on retrouve :**

- le plomb dans les peintures à base de plomb,
- la silice cristalline dans les briques et le ciment et autres produits de maçonnerie,
- l'arsenic et le chrome dans le bois de sciage ayant subi un traitement chimique (comme l'arséniate de cuivre et de chrome).

Le risque associé à de telles expositions varie selon la fréquence avec laquelle on effectue ces travaux. Pour réduire l'exposition à de tels produits, il faut travailler dans un endroit bien aéré et utiliser le matériel de sécurité approprié, tel un masque anti-poussières spécialement conçu pour filtrer les particules microscopiques.

- Éviter tout contact prolongé avec la poussière soulevée par cet outil ou autres outils électriques. Porter des vêtements de protection et nettoyer les parties exposées du corps à l'eau savonneuse. S'assurer de bien se protéger afin d'éviter d'absorber par la bouche, les yeux ou la peau des produits chimiques nocifs.

**⚠AVERTISSEMENT : Cet outil peut produire et répandre de la poussière susceptible de causer des dommages sérieux et permanents au système respiratoire.** Toujours utiliser un appareil respiratoire anti-poussières approprié approuvé par le NIOSH ou l'OSHA. Diriger les particules dans le sens opposé du visage et du corps.

**⚠ MISE EN GARDE : Porter un appareil de protection personnel anti-bruit approprié durant l'utilisation.** Sous certaines conditions et pendant toute la durée de l'utilisation, le bruit émanant de ce produit pourrait contribuer à la perte d'audition.

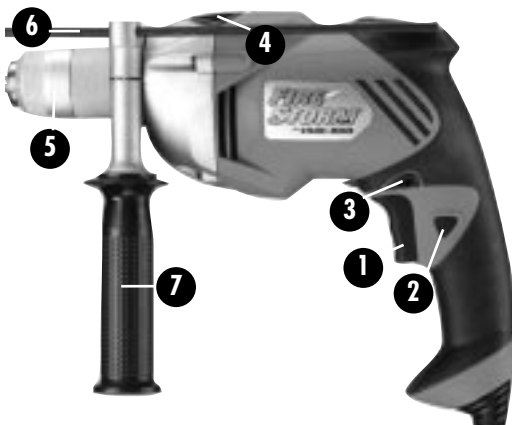
**⚠AVERTISSEMENT : Ne pas utiliser cet outil pendant des périodes prolongées.** Les vibrations causées par l'action de fonctionnement de l'outil peuvent blesser en permanence les doigts, les mains et les bras. Porter des gants pour amortir les vibrations, faire des pauses fréquentes et limiter le temps d'utilisation quotidien de l'outil.

L'étiquette apposée sur l'outil peut afficher les symboles suivants.

|           |         |                      |                                   |
|-----------|---------|----------------------|-----------------------------------|
| V .....   | volts   | A .....              | ampères                           |
| Hz .....  | hertz   | W .....              | watts                             |
| min ..... | minutes | ~ .....              | courant alternatif                |
| ----      | .....   | n <sub>o</sub> ..... | aucune option à vide              |
| .....     | .....   | ⊕ .....              | borne de terre                    |
| ☐ .....   | .....   | .../min.....         | tours ou                          |
| ⚠ .....   | .....   |                      | mouvements alternatifs par minute |

## COMPOSANTS

1. Interrupteur à vitesse variable
2. Bouton de verrouillage en position de marche
3. Bouton coulissant de marche avant-arrière
4. Sélecteur de mode perçage
5. Mandrin sans clé
6. Butée de profondeur
7. Poignée latérale



## ⚠ DIRECTIVES ET CONSIGNES DE SÉCURITÉ CONCERNANT LES PERCEUSES

- Lors des opérations de perçage dans les murs, les planchers ou dans les endroits où peuvent se trouver des fils sous tension, NE PAS TOUCHER LES PARTIES MÉTALLIQUES DE L'OUTIL! Ne tenir l'outil que par la poignée en plastique pour empêcher un choc électrique.
- Ne pas verrouiller l'outil en position de marche lors de l'utilisation de ce dernier en mode manuel. Consulter la section intitulée « Utilisation - mise en marche et arrêt de l'outil ».
- Tenir fermement la perceuse pour en commander la torsion. Si l'outil est équipé d'une poignée latérale, toujours l'utiliser.  
**⚠AVERTISSEMENT :** La perceuse peut s'arrêter (si elle est surchargée ou elle n'est pas correctement utilisée), ce qui peut entraîner la torsion de l'outil. Toujours s'attendre à l'arrêt de l'outil. Tenir fermement la perceuse pour en commander la torsion et pour éviter d'en perdre la maîtrise, ce qui peut causer des blessures. Si l'outil s'arrête, relâcher l'interrupteur immédiatement et déterminer la cause de l'arrêt avant de recommencer.
- Toujours débrancher la perceuse lors de l'installation ou du retrait d'accessoires. Lorsqu'on fixe des accessoires dans le mandrin de la perceuse, il est important de bien serrer le mandrin à l'aide des trois ouvertures pour empêcher le décalage. Lorsqu'on utilise un mandrin sans clés, bien serrer ce dernier à la main.

## MOTEUR

Cet outil Black & Decker est entraîné par un moteur Black & Decker. S'assurer que l'intensité nominale du cordon d'alimentation correspond à celle indiquée sur la plaque signalétique; sur cette dernière, la mention «120 V c.a.» signifie que la perceuse ne doit être branchée que dans une prise résidentielle standard de courant alternatif de 60 Hz et non pas dans une prise de courant continu, alors que «120 V c.a. / c.c.» signifie que l'outil peut fonctionner sur une prise standard de 60 Hz de courant alternatif ou continu. Ces renseignements sont indiqués sur la plaque signalétique. Une tension inférieure à celle indiquée pourrait entraîner une perte de puissance et une surchauffe. Tous les outils Black & Decker sont soumis à des essais en usine; si cet outil ne fonctionne pas, on doit d'abord vérifier l'intensité nominale du cordon d'alimentation.

## RALLONGES

Le cas échéant, s'assurer que la rallonge est en bon état avant de l'utiliser. Toujours utiliser une rallonge qui convient à l'outil, c'est-à-dire dont le calibre des fils, la longueur du cordon et les valeurs nominales correspondent à l'outil alimenté. L'usage d'une rallonge de calibre insuffisant pourrait causer une chute de tension entraînant une perte de puissance et une surchauffe. Pour s'assurer qu'on utilise le calibre approprié, consulter le tableau ci-dessous.

| Calibre minimal recommandé des rallonges |  |                            |                |                |
|--|--|----------------------------|----------------|----------------|
| Tension                                  | Longueur totale de la rallonge en mètres |                            |                |                |
| 120V                                     | De 0 à 7,6                               | De 7,6 à 15,2              | De 15,2 à 30,4 | De 30,4 à 45,7 |
| 240V                                     | De 0 à 15,2                              | De 15,2 à 30,4             | De 30,4 à 60,9 | De 60,9 à 91,4 |
| Intensité (A)                            |  | Calibre moyen de fil (AWG) |                |                |
| Au moins                                 | Au plus                                  |                            |                |                |
| 0  | - 6                                      | 18                         | 16             | 16 14          |
| 6  | - 10                                     | 18                         | 16             | 14 12          |
| 10                                       | - 12                                     | 16                         | 16             | 14 12          |
| 12                                       | - 16                                     | 14                         | 12             | Non recommandé |

## ASSEMBLAGE

**⚠ AVERTISSEMENT:** Toujours débrancher la perceuse de la source d'alimentation électrique avant d'effectuer les opérations suivantes :

## INSTALLATION DE LA POIGNÉE LATÉRALE ET DE LA BUTÉE DE PROFONDEUR (FIG. A)

- Tourner la poignée latérale (7) vers la gauche afin de la placer à l'avant de l'outil, tel qu'illustré.
- Tourner la poignée jusqu'à la position voulue.
- Insérer la butée de profondeur (6) dans l'orifice de montage, tel qu'illustré.
- Régler la butée de profondeur à la position voulue. La profondeur de perçage maximale est égale à la distance entre l'extrémité de la mèche et la section avant de la butée de profondeur.
- Serrer la poignée latérale en la tournant vers la droite.

## INSTALLATION D'UNE MÈCHE DE PERCEUSE OU DE TOURNEVIS (FIG. B)

- Ouvrir le mandrin en tournant la section avant (8) avec une main et en saisissant la section arrière (9) avec l'autre main.
- Insérer la tige de la mèche (10) dans le mandrin et serrer fermement ce dernier.

## RETRAIT ET REMISE EN PLACE DU MANDRIN (FIG. C)

- Ouvrir le mandrin aussi loin que possible.
- Retirer la vis de retenue du mandrin, située dans la section avant de ce dernier, en la tournant vers la droite au moyen d'un tournevis.
- Tourner la clé Allen (11) dans le mandrin et la serrer au moyen d'un marteau, tel qu'illustré.
- Retirer la clé Allen.
- Enlever le mandrin en le tournant vers la gauche.
- Pour replacer le mandrin, le visser sur la broche et le fixer au moyen de sa vis de retenue.

## UTILISATION



**⚠AVERTISSEMENT :** Afin de réduire les risques de blessure grave, lire, comprendre et suivre toutes les directives, y compris les consignes de sécurité importantes, avant d'utiliser l'outil.

## SÉLECTION DU SENS DE ROTATION

- Pour percer un trou ou serrer une vis, tourner vers l'avant (vers la droite). Pour desserrer une vis ou retirer une mèche coincée, tourner dans le sens inverse (vers la gauche).
- Pour sélectionner la rotation avant, pousser le bouton coulissant de marche avant-arrière (3) vers la DROITE (lorsqu'on le regarde de l'extrémité du mandrin).
- Pour sélectionner la rotation inverse, pousser le bouton (3) vers la GAUCHE (lorsqu'on le regarde de l'extrémité du mandrin).

**⚠ AVERTISSEMENT :** Ne jamais changer le sens de rotation lorsque le moteur est en marche.

## SÉLECTION DU MODE DE PERÇAGE

- Pour percer un trou dans la maçonnerie, régler le sélecteur de mode de perçage (4) à la position .
- Pour percer un trou dans d'autres types de matériaux ou pour utiliser l'outil en mode tournevis, régler le sélecteur (4) à la position .

## MISE EN MARCHÉ ET ARRÊT DE L'OUTIL

- Pour mettre l'outil en marche, enfoncer l'interrupteur à vitesse variable (1). La vitesse est fonction de la pression qu'on exerce sur l'interrupteur. En règle générale, utiliser une basse vitesse pour les mèches de plus grand diamètre et une haute vitesse pour celles de plus petit diamètre.
- Pour un fonctionnement continu, enfoncer le bouton de verrouillage en position de marche (2) et relâcher l'interrupteur à vitesse variable. Cette option n'est disponible qu'à la vitesse maximale.
- Pour arrêter l'outil, relâcher l'interrupteur à vitesse variable. Pour arrêter l'outil en mode de fonctionnement continu, appuyer de nouveau sur l'interrupteur à vitesse variable, puis le relâcher.  
**⚠AVERTISSEMENT :** La perceuse doit être verrouillée en position de marche uniquement lorsqu'elle est bien soutenue sur un support de perceuse ou autre support et NON PAS À LA MAIN! Ne jamais débrancher l'outil lorsque le mécanisme de verrouillage est déclenché. Sinon l'outil se démarre automatiquement lorsqu'il est branché.

## PERÇAGE

- Toujours débrancher la perceuse lors de l'installation ou du retrait d'accessoires. Lorsqu'on fixe des accessoires dans le mandrin de la perceuse, il est important de bien serrer le mandrin à l'aide des trois ouvertures pour empêcher le décalage. Lorsqu'on utilise un mandrin sans clé, bien serrer ce dernier à la main.
- Utiliser uniquement des mèches aiguisées.
- Bien fixer et soutenir la pièce, conformément aux consignes de sécurité.
- Utiliser le matériel de sécurité approprié et exigé, conformément aux consignes de sécurité.
- Protéger et bien entretenir l'aire de travail, conformément aux consignes de sécurité.
- Faire fonctionner la perceuse très lentement, tout en exerçant une légère pression, jusqu'à ce que le trou soit suffisamment profond pour empêcher le dégagement de la mèche.
- Exercer une pression droite. La pression doit être suffisante pour que la mèche continue de mordre dans la pièce mais que le moteur ne s'arrête pas ou que la mèche se fasse dévier.
- Saisir fermement la perceuse afin de maîtriser la torsion.
- NE PAS ENFONCER ET RELÂCHER L'INTERRUPTEUR D'UNE PERCEUSE ARRÊTÉE EN VUE DE LA METTRE EN MARCHÉ. LA PERCEUSE PEUT ÊTRE ENDOMMAGÉE.
- Réduire le calage au minimum lorsque la mèche perce le matériau en réduisant la pression et en perçant lentement la dernière section du trou.
- Maintenir le moteur en marche lorsqu'on retire la mèche du trou percé afin d'éviter qu'elle reste coincée.
- Utiliser une huile de coupe lorsqu'on perce des métaux, à l'exception de la fonte et du laiton, car ces derniers doivent être percés à sec. Les meilleurs lubrifiants sont l'huile sulfurée et l'huile de lard; on peut aussi utiliser de la graisse de bacon.
- Lors du perçage du bois au moyen des mèches hélicoïdales, il faut les sortir fréquemment pour enlever les copeaux restés coincés dans les cannelures.
- Brancher la perceuse. Vérifier le fonctionnement de l'interrupteur de la perceuse.

## ENTRETIEN

Nettoyer l'outil seulement au moyen d'un linge humide et d'un savon doux. Ne jamais laisser de liquide s'infiltrer à l'intérieur de l'outil; ne jamais immerger ce dernier dans quelque liquide que ce soit.

**IMPORTANT :** Pour assurer la SÉCURITÉ et la FIABILITÉ de ce produit, toutes les opérations de réparation, d'entretien et de réglage doivent être effectuées dans un centre de service autorisé ou par du personnel qualifié; on ne doit utiliser que des pièces de rechange identiques.

## ACCESSOIRES

Les accessoires recommandés pour cet outil sont vendus séparément chez les dépositaires locaux ou aux centres de service autorisés. Pour obtenir plus d'information sur les accessoires, composer le : **1 800 544-6986 (1-800-54-HOW-TO)**.

**⚠AVERTISSEMENT :** L'usage d'un accessoire non recommandé avec cet outil peut présenter un danger.

## INFORMATION SUR LES SERVICES

Black & Decker dispose d'un réseau complet composé de centres de service et de centres autorisés situés partout en Amérique du Nord. Tous les centres de service Black & Decker sont dotés de personnel qualifié en matière d'outillage électrique; ils sont donc en mesure d'offrir à leur clientèle un service efficace et fiable. Pour obtenir un conseil technique ou une pièce d'origine ou pour faire réparer un outil, on peut communiquer avec le centre Black & Decker le plus près. Pour obtenir le numéro de téléphone, consulter les pages jaunes sous la rubrique "Outils - électriques" ou composer le **1 800 544-6986 (1-800-54-HOW-TO)**.

## GARANTIE COMPLÈTE DE DEUX ANS POUR USAGE RÉSIDENTIEL

Black & Decker (U.S.) Inc. garantit ce produit pour une période de deux ans contre tout défaut de matériel ou de fabrication. Le produit défectueux sera remplacé ou réparé sans frais, suivant l'une des deux méthodes suivantes.

La première méthode consiste en un échange seulement. On doit retourner le produit au détaillant qui l'a vendu (pourvu qu'il s'agisse d'un détaillant participant), en respectant les délais stipulés dans sa politique relative aux échanges (normalement de 30 à 90 jours après la vente). Une preuve d'achat peut être requise. On doit vérifier la politique de retour du détaillant pour tout produit retourné après le délai prescrit pour les échanges.

La deuxième méthode consiste à apporter ou à envoyer le produit (prépayé) à un centre Black & Decker ou à un centre de service autorisé aux fins de réparation ou de remplacement, selon notre choix. Une preuve d'achat peut être requise. Les centres Black & Decker et les centres de service autorisés sont répertoriés dans les pages jaunes sous la rubrique «Outils - électriques».

Cette garantie ne s'applique pas aux accessoires. Elle confère des droits légaux particuliers à l'acheteur, mais celui-ci pourrait aussi bénéficier d'autres droits variant d'un territoire à l'autre. Toute question doit être adressée au gérant du centre Black & Decker le plus près.

Ce produit n'est pas destiné à un usage commercial.

## CAPACITÉS MAXIMALES RECOMENDADAS

|               |                |
|---------------|----------------|
| Acier / Béton | 13 mm (1/2 po) |
| Bois          | 25 mm (1 po)   |

Imported by / Importé par  
Black & Decker Canada Inc.  
100 Central Ave.  
Brockville (Ontario) K6V 5W6

Voir la rubrique "Outils électriques"  
des Pages Jaunes  
pour le service et les ventes.



## MARTILLO PERFORADOR DE 13 MM (1/2 PULG.)

# MANUAL DE INSTRUCCIONES

NÚMERO DE CATÁLOGO FS6000HD

**ANTES DE DEVOLVER ESTE PRODUCTO POR CUALQUIER RAZON LE ROGAMOS LLAME AL (55) 5326-7100**

### Instrucciones de seguridad generales


**ADVERTENCIA:** Lea todas las instrucciones hasta comprenderlas. No ajustarse a las instrucciones siguientes puede ser causa de choque eléctrico, incendio o lesiones graves.

### GUARDE ESTE MANUAL PARA FUTURAS CONSULTAS

#### ÁREA DE TRABAJO

- Mantenga el área de trabajo limpia y bien iluminada. Las bancadas desordenadas y las zonas oscuras propician los accidentes.
- No opere herramientas eléctricas en atmósferas explosivas, como en presencia de líquidos, gases o polvos inflamables. Las herramientas eléctricas producen chispas que pueden originar la ignición del polvo o los vapores.
- Mientras opere una herramienta eléctrica, mantenga lejos a los observadores, niños y visitantes. Las distracciones pueden ocasionar que pierda el control.

#### SEGURIDAD ELÉCTRICA

- Las herramientas con doble aislamiento están equipadas con una clavija polarizada (una pata es más ancha que la otra). Esta clavija se acoplará a un enchufe polarizado de una sola manera. Si la clavija no se acopla al contacto, invírtala. Si aún así no se ajusta, comuníquese con un electricista cualificado para que instale un enchufe polarizado apropiado. Nunca cambie la clavija. El doble aislamiento  elimina la necesidad de cables con tres hilos y sistemas de suministro eléctrico con conexión a tierra.
- Evite el contacto del cuerpo con superficies conectadas a tierra, tales como tuberías, radiadores, registros y refrigeradores. El riesgo de choque eléctrico aumenta si su cuerpo hace tierra.
- No exponga las herramientas eléctricas a la lluvia o a condiciones de mucha humedad. Si entra agua en una herramienta eléctrica, aumenta el riesgo de choque eléctrico.
- No maltrate el cable. Nunca tome el cable para transportar la herramienta ni para desconectarla del enchufe. Mantenga el cable alejado de las fuentes de calor, el aceite, las orillas afiladas o las piezas en movimiento. Cambie inmediatamente los cables dañados. Los cables dañados aumentan el peligro de choque eléctrico.
- Cuando opere una herramienta eléctrica a la intemperie, utilice una extensión marcada "W-A" o "W". Estas extensiones están clasificadas para uso a la intemperie y para reducir el riesgo de choque eléctrico.

#### SEGURIDAD PERSONAL

- Al utilizar una herramienta eléctrica, esté atento, concéntrese en lo que hace y aplique el sentido común. No utilice la herramienta si se encuentra fatigado o bajo la influencia de drogas, alcohol o fármacos. Mientras se utilizan herramientas eléctricas, basta un instante de distracción para sufrir lesiones graves.
- Lleve ropa adecuada. No utilice ropa suelta ni joyas. Recójase el cabello largo. Mantenga el cabello, la ropa y los guantes apartados de las piezas en movimiento. Las partes móviles pueden atrapar las prendas de vestir sueltas, las joyas y el cabello. Los orificios de ventilación suelen cubrir piezas en movimiento, por lo que también se deben evitar.
- Evite puestas en marcha accidentales. Asegúrese de que el interruptor esté apagado antes de enchufar la máquina. Transportar las herramientas con el dedo sobre el interruptor o enchufarlas con el interruptor encendido favorece los accidentes.
- Antes de poner en marcha la herramienta, retire las llaves de ajuste. Una llave que se deje en una pieza giratoria de la herramienta puede provocar lesiones.
- No ponga en peligro su estabilidad. Manténgase siempre bien apoyado y equilibrado. Un buen apoyo y equilibrio permiten controlar mejor la herramienta si se produce algún imprevisto.
- Utilice el equipo de seguridad. Lleve siempre lentes protectores. Cuando sea adecuado, también se debe usar mascarilla antipolvo, zapatos de suela antideslizante, casco o protectores auditivos.

#### USO Y CUIDADOS DE LA HERRAMIENTA

- Utilice abrazaderas u otro elemento adecuado para sujetar y apoyar la pieza de trabajo en una plataforma estable. Sujetar la pieza con la mano o contra el cuerpo es inestable y facilita la pérdida de control.
- No fuerce la herramienta. Emplee la herramienta correcta para cada aplicación. La herramienta correcta hace el trabajo mejor y más seguro dentro del rango para el que ha sido diseñada.
- No utilice la herramienta si el interruptor no la enciende y apaga. Cualquier herramienta que no pueda controlarse con el interruptor es peligrosa y se debe reparar.
- Desconecte la clavija del enchufe antes de proceder a cualquier ajuste, cambiar un accesorio o guardar la herramienta. Estas medidas de seguridad preventiva reducen el riesgo de poner en marcha la herramienta accidentalmente.
- Cuando no las utilice, guarde las herramientas fuera del alcance de los niños o de cualquier persona no capacitada. Las herramientas son peligrosas en manos de usuarios no capacitados.
- Cuide las herramientas. Conserve las herramientas de corte afiladas y limpias. Unas herramientas adecuadamente cuidadas y con los bordes de corte afilados se atascan menos y son más fáciles de controlar.
- Compruebe si las piezas móviles se desalinean o atascan, si hay alguna pieza rota o cualquier otra circunstancia que pueda afectar la operación de la herramienta. Si la herramienta está dañada, hágala reparar antes de usarla. Muchos accidentes los provocan unas herramientas mal cuidadas.
- Utilice únicamente los accesorios recomendados por el fabricante para su modelo. Un mismo accesorio puede ser adecuado para una herramienta, pero peligroso si se usa en otra.

#### SERVICIO

- El servicio a la herramienta sólo deber ser realizado por personal de reparación calificado. Si el servicio o mantenimiento es realizado por personal no calificado, podría resultar en riesgo de lesión.
- Cuando se repare una herramienta, sólo se deben usar repuestos originales. Siga las instrucciones en la sección de mantenimiento de este manual. El uso de repuestos no autorizados o el incumplimiento de las instrucciones de mantenimiento pueden crear un riesgo de descarga eléctrica o lesión.

#### NORMAS ESPECÍFICAS DE SEGURIDAD

- Sujete la herramienta por las superficies aislantes si lleva a cabo una operación en que la herramienta pueda tocar un conductor oculto o su propio cable. El contacto con un conductor activo provocará que las piezas metálicas de la herramienta conduzcan electricidad y que el operador reciba una descarga eléctrica.
- Cuando trabaje sobre una escalera o andamio, asegúrese de recostar la herramienta

sobre un costado cuando no esté en uso. Algunas herramientas con unidades de alimentación grandes se pueden parar derechas pero pueden caerse fácilmente.

**ADVERTENCIA:** Parte del polvo generado al lijar, serrar, esmerilar y taladrar, así como al realizar otras actividades del sector de la construcción, contienen productos químicos que pueden producir cáncer, defectos congénitos u otras afecciones reproductivas. Ejemplos de esas sustancias químicas son:

- plomo procedente de pinturas a base de plomo,
- óxido de silicio cristalino procedente de ladrillos, cemento y otros productos de mampostería, y
- arsénico y cromo procedentes de madera tratada químicamente (CCA).

El peligro derivado de estas exposiciones que usted enfrente varía en función de la frecuencia con que se realice este tipo de trabajo. Para reducir la exposición a esas sustancias químicas: trabaje en una zona bien ventilada y llevando equipos de seguridad aprobados, como mascarillas antipolvo especialmente diseñadas para filtrar partículas microscópicas.

- Evite el contacto prolongado con el polvo procedente del lijado, serrado, esmerilado y taladrado eléctricos, así como de otras actividades del sector de la construcción. Lleve ropa protectora y lave con agua y jabón las zonas expuestas. Si permite que el polvo se introduzca en la boca u ojos o quede sobre la piel, puede favorecer la absorción de productos químicos peligrosos.

**ADVERTENCIA:** El uso de esta herramienta puede generar o dispersar polvo lo cual puede causar lesiones respiratorias serias y permanentes y otros tipos de lesión. Siempre use protección respiratoria aprobada por NIOSH/OSHA para la exposición al polvo. Dirija las partículas en dirección opuesta a su cara y cuerpo.

**PRECAUCIÓN:** Utilice una protección auditiva apropiada durante el uso. En determinadas condiciones y con utilizaciones prolongadas, el ruido generado por este producto puede favorecer la pérdida de audición.

**ADVERTENCIA:** No opere esta herramienta durante períodos largos de tiempo. La vibración causada por la acción de operación de esta herramienta puede causar lesiones permanentes a los dedos, las manos y los brazos. Utilice guantes para una mayor amortiguación, tome descansos frecuentes y limite el tiempo de uso diario.

La etiqueta de la herramienta puede incluir los siguientes símbolos:

|            |                                |               |  |
|------------|--------------------------------|---------------|--|
| V .....    | voltios                        | A.....        | amperios                               |
| Hz .....   | hertzios                       | W .....       | vatios                                 |
| min.....   | minutos                        | ~ .....       | corriente alterna                      |
| ==== ..... | corriente directa              | no .....      | velocidad sin carga                    |
| ☐ .....    | construcción de Clase II       | ⊕ .....       | terminal con conexión a tierra         |
| ⚠ .....    | símbolo de alerta de seguridad | .../min ..... | revoluciones u oscilaciones por minuto |



### CARACTERÍSTICAS

- Conmutador de velocidad variable
- Botón de bloqueo en ON
- Deslizador de avance/retroceso
- Selector de modalidad de taladrado
- Portabrocas sin llave
- Tope de profundidad
- Mango lateral

#### INSTRUCCIONES Y ADVERTENCIAS DE SEGURIDAD: TALADROS

- Al taladrar o atornillar en las paredes, pisos o cualquier parte donde pueda haber cables eléctricos con corriente, ¡NO TOQUE NINGUNA DE LAS PARTES METÁLICAS DE LA HERRAMIENTA! Sujete la herramienta por el (los) mango(s) plástico(s) únicamente, a fin de prevenir choques eléctricos.
- No ponga la herramienta en posición de funcionamiento continuo cuando taladre a mano. Refiérase a Instrucciones de operación - Interruptor.
- Sujete el taladro firmemente para controlar la acción de torsión del taladro. Si su taladro viene equipado con un mango lateral, use siempre este mango lateral. **ADVERTENCIA:** El taladro puede atascarse (si está sobrecargado o se usa incorrectamente) causando una torsión. Esté siempre a la espera de un atascamiento. Sujete el taladro firmemente para controlar la torsión y prevenir la pérdida de control lo cual puede causar lesiones. De ocurrir un atascamiento, suelte el interruptor de disparo inmediatamente y determine la razón del atascamiento antes de volver a poner la herramienta en marcha.
- El taladro siempre debe estar desenchufado al poner o quitar accesorios. Al poner accesorios en el portabrocas del taladro, es importante apretar el mismo muy bien utilizando los tres huecos para prevenir deslizamientos. Apriete con mano firme al usar un portabrocas sin llave.

#### MOTOR

Su herramienta Black & Decker tiene un motor construido por Black & Decker. Verifique que su suministro de corriente concuerde con el marcaje de la placa de datos. 120 Voltios de corriente alterna (AC) sólo indica que su taladro operará con corriente casera estándar de 60 Hz. No opere herramientas de corriente alterna (AC) con corriente directa (DC). Una potencia de régimen de 120 voltios AC/DC significa que su herramienta operará con corriente estándar de 60 Hz AC o DC. Esta información está impresa en la placa de datos. Un voltaje menor ocasionará pérdida de corriente y puede resultar en recalentamiento. Todas las herramientas Black & Decker se prueban en fábrica; si esta herramienta no funciona, verifique el suministro de corriente.

#### USO DE CABLES DE EXTENSIÓN

Asegúrese de que el cable de extensión esté en buenas condiciones antes de usarlo. Use siempre el tamaño adecuado de los cables de extensión con la herramienta — o sea, el tamaño de cable adecuado para los distintos largos de cable, y que sea lo suficientemente "pesado" para transportar la corriente que su producto va a extraer. Un cable de tamaño insuficiente causará una caída en la línea de voltaje resultando en pérdida de energía y recalentamiento. Para el tamaño de cable correcto vea la tabla a continuación.

| Voltios          | Calibre mínimo para juegos de cables |             |                    |             |                       |    |
|------------------|--------------------------------------|-------------|--------------------|-------------|-----------------------|----|
|                  | Largo total del cable en metros      |             |                    |             |                       |    |
| 120 V            | 0 - 7,6                              | 7,6 - 15,2  | 15,2 - 30,4        | 30,4 - 45,7 |                       |    |
| 240 V            | 0 - 15,2                             | 15,2 - 30,4 | 30,4 - 60,9        | 60,9 - 91,4 |                       |    |
| Amperaje nominal |                                      |             |                    |             |                       |    |
| Más              | No más                               |             | American Wire Gage |             |                       |    |
| de               | de                                   |             |                    |             |                       |    |
| 0                | -                                    | 6           | 18                 | 16          | 16                    | 14 |
| 6                | -                                    | 10          | 18                 | 16          | 14                    | 12 |
| 10               | -                                    | 12          | 16                 | 16          | 14                    | 12 |
| 12               | -                                    | 16          | 14                 | 12          | <b>NO RECOMENDADO</b> |    |

#### ENSAMBLAJE

**ADVERTENCIA:** Antes de proceder con algunas de las operaciones siguientes, siempre desenchufe la herramienta de la toma de corriente.

#### INSTALACIÓN DEL MANGO LATERAL Y TOPE DE PROFUNDIDAD (FIG. A)

- Gire la empuñadura del mango lateral (7) en dirección contraria a las manillas del reloj hasta que pueda deslizarse el mango lateral a la parte delantera de la herramienta, como se muestra.
- Gire el mango lateral a la posición deseada.
- Inserte el tope de profundidad (6) en el orificio de montaje, como se muestra.
- Fije el tope de profundidad a la posición deseada. La profundidad máxima de taladrado es igual a la distancia entre la punta de la broca y el extremo delantero del tope de profundidad.



- Ajuste el mango lateral girando la empuñadura en dirección de las manillas del reloj.

#### INSTALACIÓN DE UNA BROCA DE TALADRO O ATORNILLADOR (FIG. B)

- Abra el portabrocas girando la parte delantera (8) con una mano mientras sostiene la parte posterior (9) con la otra.
- Inserte el vástago de la broca (10) en el portabrocas y ajústelo firmemente.

#### DESINSTALACIÓN Y REINSTALACIÓN DEL PORTABROCAS (FIG. C)

- Abra el portabrocas lo más posible.
- Quite el tornillo de retención del portabrocas, ubicado en la parte delantera del portabrocas, girándolo en dirección de las manillas del reloj, con un atornillador.
- Ajuste una llave Allen (11) en el portabrocas y golpéela con un martillo, como se muestra.
- Retire la llave Allen.
- Retire el portabrocas girándolo en dirección contraria a las manillas del reloj.
- Para reencajar el portabrocas, atorníllelo al eje y asegúrelo con el tornillo de retención del portabrocas.

#### USO

**⚠ ADVERTENCIA:** Para reducir el riesgo de lesión personal grave, lea, comprenda y siga todas las advertencias e instrucciones importantes de seguridad antes de utilizar la herramienta.

#### SELECCIÓN DE LA DIRECCIÓN DE ROTACIÓN

- Para taladrar y ajustar tornillos, utilice la rotación delantera (en dirección a las manillas del reloj). Para aflojar tornillos o soltar una broca de taladrado atorada, use la rotación inversa (dirección contraria a las manillas del reloj).
- Para seleccionar la rotación delantera, empuje el deslizador de avance/retroceso (3) a la DERECHA (cuando se lo mire desde el extremo del portabrocas).
- Para seleccionar la rotación inversa, empuje el deslizador de avance/retroceso (3) a la IZQUIERDA (cuando se lo mire desde el extremo del portabrocas).

**⚠ ADVERTENCIA:** Nunca cambie la dirección de rotación cuando el motor esté andando.

#### SELECCIÓN DE LA MODALIDAD DE TALADRADO

- Para el taladrado en mampostería, fije el selector de modalidad de taladrado (4) a la posición.
- Para el taladrado en otros materiales y para atornillar, fije el selector de modalidad de taladrado (4) a la posición.

#### ENCENDIDO Y APAGADO

- Para encender la herramienta, presione el conmutador de velocidad variable (1). La velocidad de la herramienta depende de cuánto presione el conmutador. Como regla general, utilice velocidades lentas para brocas de taladrado de diámetros grandes y velocidades altas para brocas de taladrado de diámetros más pequeños.
  - Para una operación continua, presione el botón de bloqueo en ON (2) y suelte el conmutador de velocidad variable. Esta opción sólo se encuentra disponible a la velocidad completa.
  - Para apagar la herramienta, suelte el conmutador de velocidad variable. Para apagar la herramienta cuando está en modalidad de funcionamiento continuo, presione el conmutador de velocidad variable una vez más y suéltelo.
- ⚠ ADVERTENCIA:** El taladro sólo debe ponerse en funcionamiento continuo cuando se mantiene en forma estacionaria en una prensa de taladrar u otros medios; ¡NUNCA MANUALMENTE! Nunca desenchufe la herramienta con el dispositivo de cierre accionado. Esto ocasionaría el arranque inmediato de la herramienta la próxima vez que la enchufe.

#### TALADRADO

- El taladro siempre debe estar desenchufado al poner o quitar accesorios. Al insertar accesorios en el portabrocas es importante apretar el mismo muy bien utilizando los tres huecos para prevenir deslizamientos. Apriete con mano firme al usar un portabrocas sin llave.
- Use sólo brocas afiladas.
- Asegure y apoye la pieza de trabajo adecuadamente, según se indica en las Instrucciones de seguridad.
- Use el equipo de seguridad apropiado y necesario, según se indica en las Instrucciones de seguridad.
- Asegure y mantenga su área de trabajo según se indica en las Instrucciones de seguridad.
- Opere el taladro muy lentamente, presionando levemente, hasta que el hueco esté lo suficientemente definido para que la broca no se salga del hueco.
- Aplique presión alineada con la broca. Ejercer suficiente presión para que la broca permanezca en rotación, pero no demasiada para evitar que el motor se atasque o la broca se desvíe.
- **Sujete firmemente el taladro para controlar la fuerza de torsión del taladro.**
- **NO PRENDER Y APAGAR EL INTERRUPTOR DE DISPARO CON EL FIN DE INTENTAR HACER FUNCIONAR LA BROCA ATASCADA. ESTO PUEDE DAÑAR EL TALADRO.**
- Minimice el atascamiento producido por atravesar el material mediante reducción de la presión y taladrado lento a través de la última parte del hueco.
- Mantenga el motor en funcionamiento al retirar la broca del interior de un hueco taladrado. Esto evita su atoramiento.
- Use un lubricante para corte al taladrar metales. Las excepciones son el hierro colado y el latón, los cuales deben taladrarse en seco. Los lubricantes para corte que mejor funcionan son aceites sulfurizados para corte o manteca de cerdo. La grasa de tocino también funciona.
- Al usar brocas helicoidales para taladrar huecos en madera, será necesario sacar las brocas frecuentemente para retirar las virutas que se acumulan en sus ranuras.
- Enchufe el taladro. **Asegúrese de que el interruptor prenda y apague el taladro.**

#### MANTENIMIENTO

Utilice solamente jabón suave y agua para limpiar la herramienta. Nunca permita que ningún líquido se introduzca dentro de la misma; nunca sumerja ninguna parte de la herramienta dentro de un líquido.

**IMPORTANTE:** Para garantizar la SEGURIDAD y FIABILIDAD del producto, toda reparación, mantenimiento y ajuste, deberán ser realizados en los centros autorizados de servicio u otras organizaciones de servicio calificadas, utilizando siempre para ello accesorios originales.

#### ACCESORIOS

Los accesorios que se recomiendan usar con su herramienta están disponibles donde su distribuidor o centro de servicio local. De necesitar asistencia para obtener un accesorio, favor llamar al: **1-800-544-6986 (1-800-54-HOW-TO)**

**⚠ ADVERTENCIA:** Puede ser peligroso usar cualquier accesorio no recomendado.

#### INFORMACIÓN DE SERVICIO

Black & Decker ofrece una red completa de centros de servicio y centros autorizados en toda Norteamérica. Todos los centros de servicio Black & Decker disponen de personal entrenado para dar un servicio eficiente y confiable a las herramientas eléctricas de sus clientes. De necesitar orientación técnica, reparación o repuestos originales de fábrica, diríjase al centro Black & Decker local. Para hallar la ubicación del centro de servicio más cercano, busque en las páginas amarillas de la guía telefónica bajo "Herramientas—Eléctricas" o llame a: **1-800-544-6986 (1-800-54-HOW-TO)**.

#### GARANTÍA COMPLETA DE DOS AÑOS PARA USO DOMÉSTICO

Black & Decker (U.S.) Inc. garantiza este producto por dos años contra cualquier defecto en su material o fabricación. Existen dos opciones para reemplazar o reparar el producto defectuoso, sin costo.

La primera, la cual resultará sólo en un cambio, es devolver el producto al vendedor del cual fue comprado (siempre que sea un local participante). Las devoluciones deberán realizarse durante el plazo especificado en la política de devoluciones del vendedor (generalmente entre 30 y 90 días después de la fecha de compra). Puede que sea necesario presentar prueba de compra. Por favor averigüe cuál es la política del vendedor para devoluciones efectuadas más allá del plazo para cambios.

La segunda opción es llevar o enviar el producto (con franqueo pagado) a un Centro de

Servicio autorizado o al Centro de Servicio Black & Decker para su reparación o reemplazo, a decisión nuestra. Puede que sea necesario presentar prueba de compra. Los Centros de Servicio autorizados y Centros de Servicio Black & Decker se encuentran en las páginas amarillas bajo "Herramientas eléctricas".

Esta garantía no aplica a los accesorios. Esta garantía le da derechos legales específicos además de los cuales puede tener otros, los cuales varían entre estados. Si tuviese alguna pregunta, contacte al gerente de su Centro de Servicio Black & Decker más cercano. Este producto no es para uso comercial.

#### CAPACIDADES MÁXIMAS RECOMENDADAS

|                  |                   |
|------------------|-------------------|
| Acero / Concreto | 13 mm (1/2 pulg.) |
| Madera           | 25 mm (1 pulg.)   |

#### PARA REPARACION Y SERVICIO DE SUS HERRAMIENTAS ELECTRICAS FAVOR DE DIRIGIRSE AL CENTRO DE SERVICIO MAS CERCANO

|                  |                                      |                  |
|------------------|--------------------------------------|------------------|
| CULIACAN         | Av. Nicolas Bravo #1063 Sur          | (56 77) 12 42 10 |
| GAUDALAJARA      | Av. La Paz #1770                     | (33 38) 26 69 78 |
| LEON             | Polara #32                           | (47 77) 13 14 56 |
| MEXICO           | Sonora #134 Hipodromo Condesa        | (55 55) 53 99 79 |
| MERIDA           | Calle 63 #459                        | (99 99) 23 54 90 |
| MONTERREY        | Av. Francisco I. Madero Pte. 1820-A  | (81 83) 72 11 25 |
| PUEBLA           | 17 Norte #2057                       | (22 22) 46 90 20 |
| QUERETARO        | Av. Madero 139 Pte.                  | (44 22) 14 60 60 |
| SAN LOUIS POTOSI | Pedro Moreno #408 Fracc. la Victoria | (44 48) 14 25 67 |
| TORREON          | Blvd. Independencia, 96 pte.         | (87 17) 16 52 65 |
| VERACRUZ         | Prolongación Diaz Miron #4280        | (29 99) 21 70 18 |
| VILLAHERMOSA     | Zaragoza #105                        | (99 33) 12 53 17 |

#### PARA OTRAS LOCALIDADES LLAME AL: (55) 5326-7100 INFORMACIÓN DE SERVICIO

#### Especificaciones

##### FS6000HD

|                          |         |
|--------------------------|---------|
| Tensión de alimentación  | 120 V ~ |
| Potencia nominal:        | 669 W   |
| Consumo de corriente:    | 6 A     |
| Frecuencia de operación: | 60 Hz   |

Para servicio y ventas consulte "HERRAMIENTAS ELECTRICAS" en la sección amarilla.



IMPORTADOR: BLACK & DECKER S.A. DE C.V.  
BOSQUES DE CIDROS ACCESO RADIATAS NO. 42  
BOSQUES DE LAS LOMAS, 05120 MEXICO, D.F.  
(55) 5326-7100