

Air-Cooled Automatics

300, 500 Amp MIG Guns

Issued April 2008 • Index No. SPEC ACAPTS-1.0

Air-Cooled Automatic MIG gun without cable shown with Centerfire™ consumables



All Guns are Not Created Equal.

A MIG gun should be durable, easy to use and customized to your specific application. Our MIG guns put you in control: you choose the options you need and we'll build a gun to last.

Amperage ratings at 100% duty cycle with CO₂ gas: 300 and 500 amps.

Power cable equipped guns available in lengths to fit many applications.

Necks available in numerous length and bend angles for maximum accessibility.

Contact tip options include Centerfire™ and Quik Tip™ and are available in wire sizes from .023" (0.6 mm) to 1/8" (3.2 mm).

Direct plugs connect to wire feeders and machines from most major manufacturers.

Made with
Pride and without
Compromise in the **USA**

Bernard®

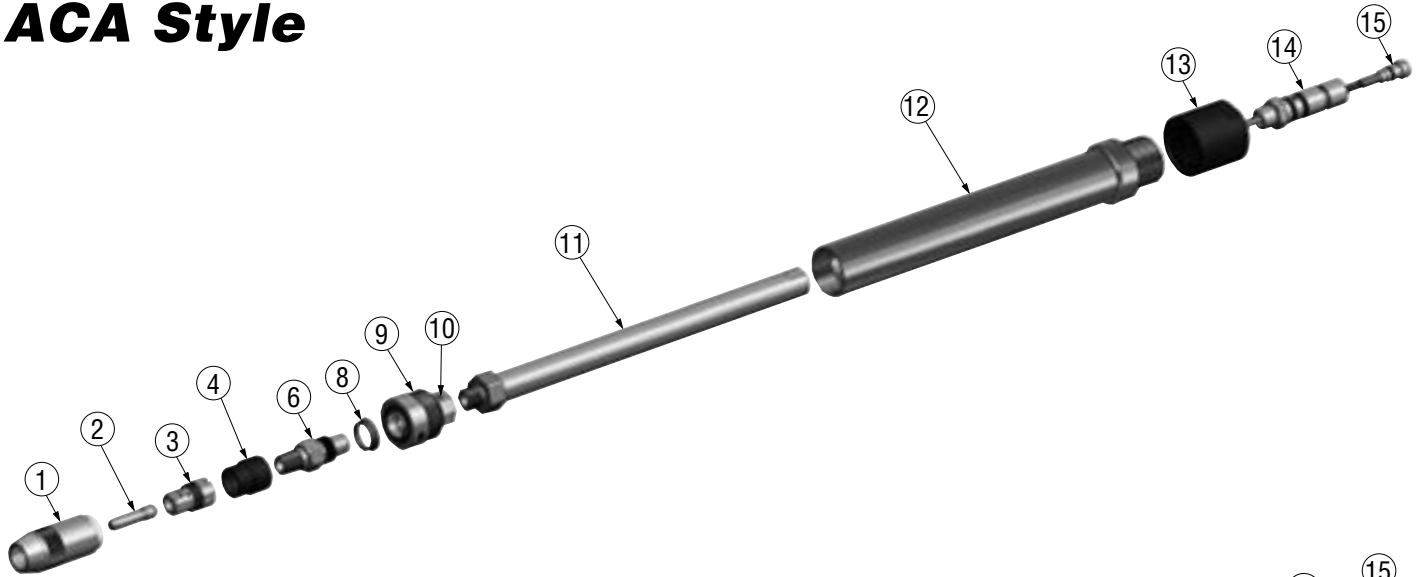
An Illinois Tool Works Company
449 West Corning Road, Box 667
Beecher, Illinois 60401 USA

Phone: 800-946-2281 (US Only) 708-946-2281 (Outside US)
Fax: 708-946-6726
For more information, visit us at BernardWelds.com

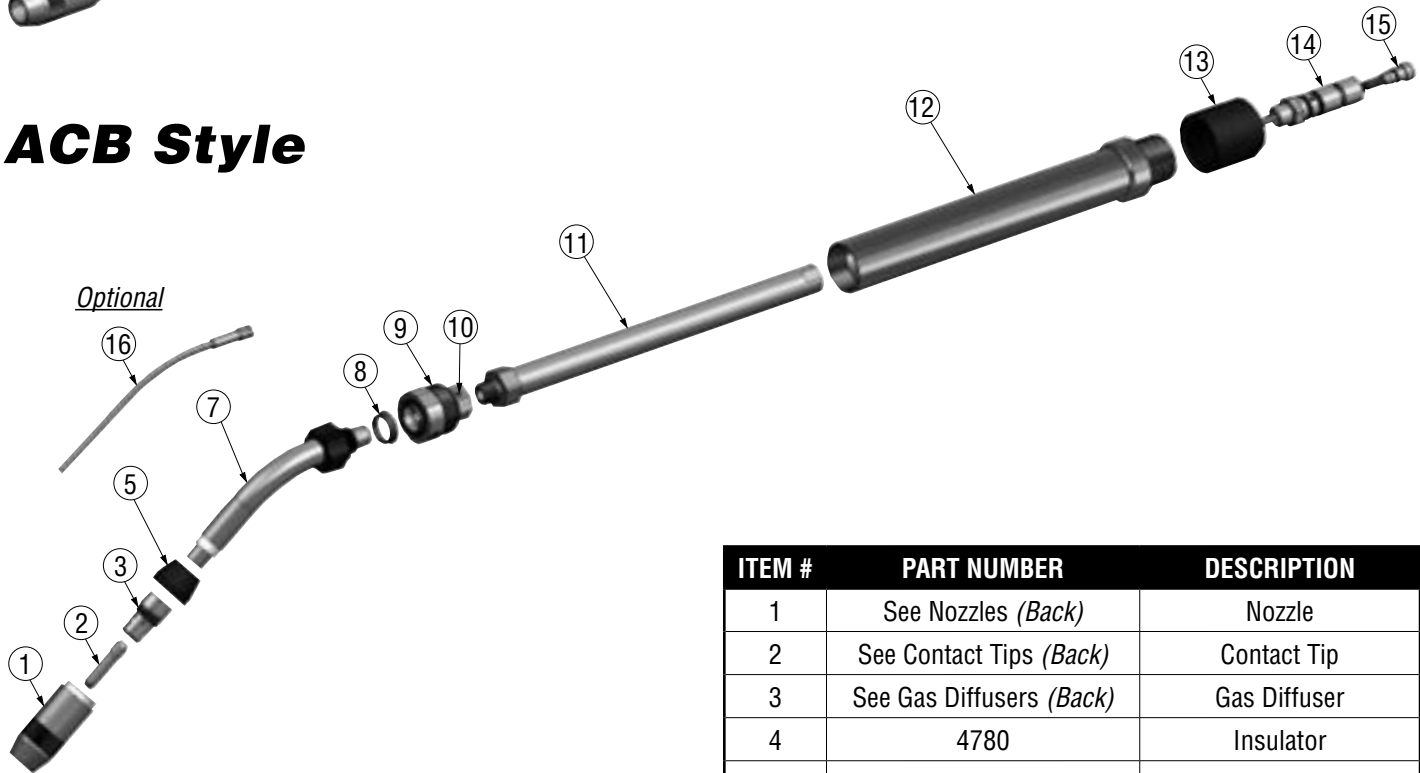


Replacement Parts List

ACA Style



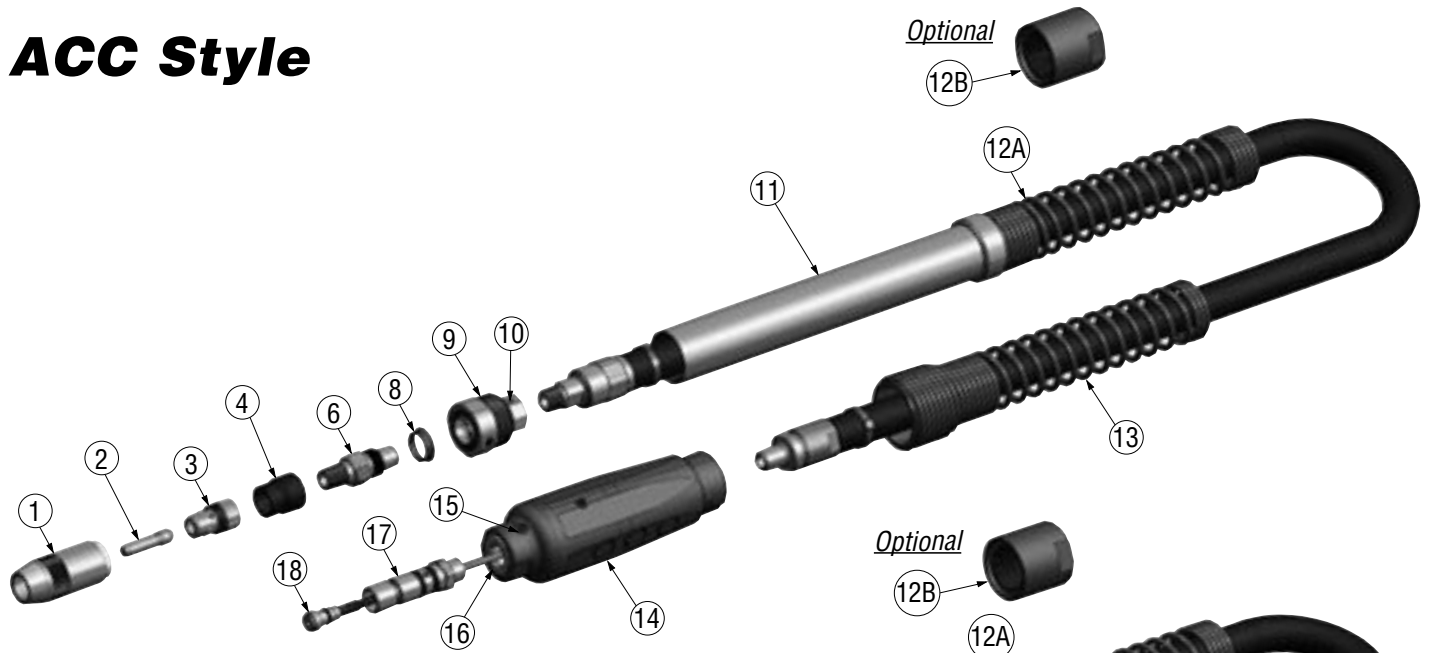
ACB Style



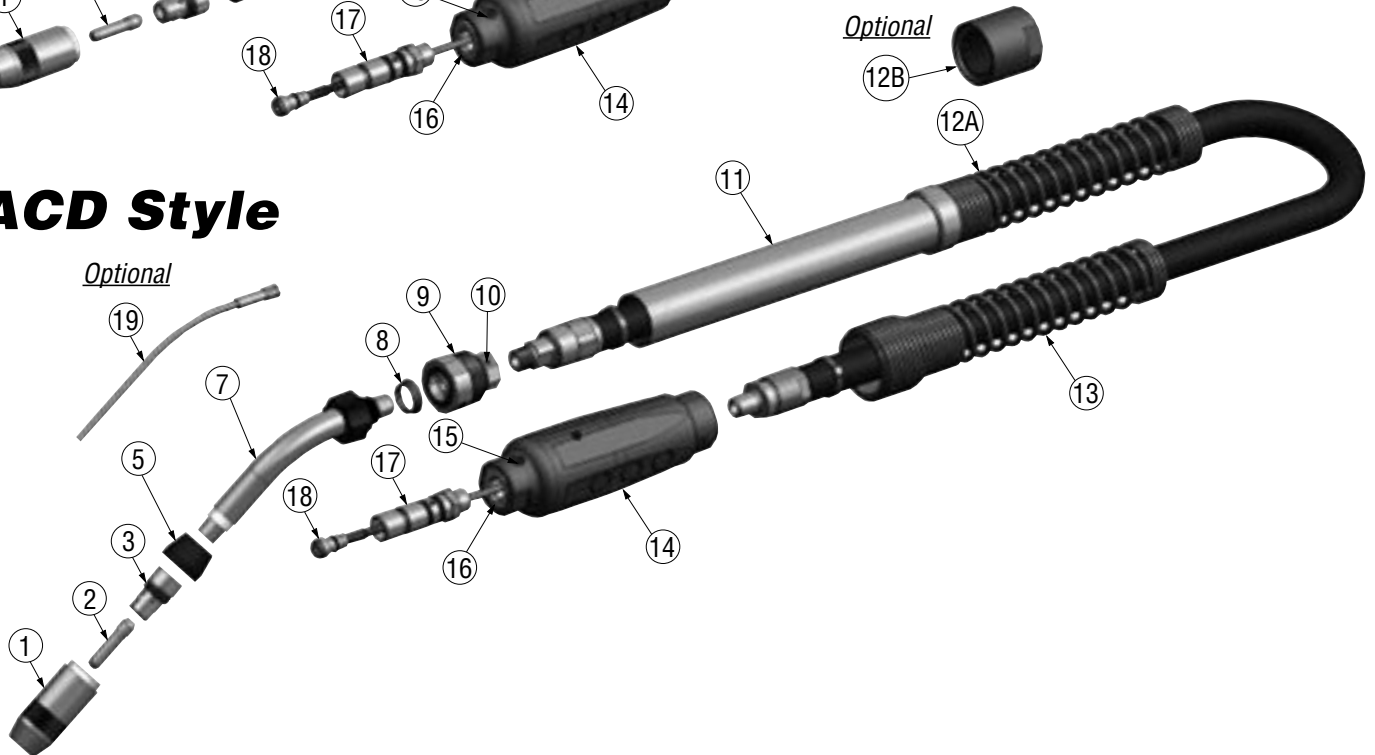
ITEM #	PART NUMBER	DESCRIPTION
1	See Nozzles (Back)	Nozzle
2	See Contact Tips (Back)	Contact Tip
3	See Gas Diffusers (Back)	Gas Diffuser
4	4780	Insulator
5	10012	Insulator
6	2670007	Head Adapter
7	See Necks (Back)	Neck
8	1840031	Insulating Ring
9	2670004	Front End Assembly
10	3368	Set Screw
11	See Inner Body (Back)	Inner Body Assembly
12	See Outer Body (Back)	Outer Body Assembly
13	2670011A	End Cap, Cable-Less
14	See Direct Plug Kits (Back)	Direct Plug Assembly
15	See Liners (Back)	Liner
16	See Jump Liners (Back)	Jump Liner (Optional)

Replacement Parts List

ACC Style



ACD Style



ITEM #	PART NUMBER	DESCRIPTION
1	See Nozzles (Back)	Nozle
2	See Contact Tips (Back)	Contact Tip
3	See Gas Diffusers (Back)	Gas Diffuser
4	4780	Insulator
5	10012	Insulator
6	2670007	Head Adapter
7	See Necks (Back)	Neck
8	1840031	Insulating Ring
9	2670004	Front End Assembly
10	3368	Set Screw
11	See Outer Body (Back)	Outer Body Assembly
12A	2520034MOD	Spring, Barrel

ITEM #	PART NUMBER	DESCRIPTION
12B	2670011B	End Cap, Cabled (Optional)
13	2520041	Spring Assembly, Rear
14	2520069	Strain Relief Kit (Bernad Direct Plug)
	2520073	Strain Relief Kit (Euro Direct Plug)
15	W11127-002	Screw
16	1010027	Adapter Block
17	See Direct Plug Kits (Back)	Direct Plug Assembly
18	See Liners (Back)	Liner
19	See Jump Liners (Back)	Jump Liner (Optional)

Nozzles, Tips, Diffusers

NOZZLES (Standard)

Centerfire	Quik Tip
N5818-C	N1C58Q

CONTACT TIPS (Standard)

Wire Size	Centerfire	Quik Tip
.023" (.6 mm)	T-023	T1023
.030" (.8 mm)	T-030	T1030
.035" (.9 mm)	T-035	T1035
.039" (1.0 mm)	T-039	T1039
.045" (1.2 mm)	T-045	T1045
.052" (1.4 mm)	T-052	T1052
1/16" (1.6 mm)	T-062	T1116
5/64" (2.0 mm)	T-078	T1564
3/32" (2.4 mm)	T-094	T1332
7/64" (2.8 mm)	T-109	T1764
1/8" (3.2 mm)	T-125	T1118

GAS DIFFUSERS (Standard)

Centerfire	Quik Tip
D-1	D118Q

Necks, Liners, Etc.

Necks (Standard)

Bend Angle	Part Number
30 Degrees	QT2-30
30 Degrees	QT3-30
45 Degrees	QT2-45
45 Degrees	QT3-45
180 Degrees	QT-180-3
180 Degrees	QT-180-5

LINERS (Standard)

Wire Size	Part Number
.023" - .030" (.6 mm - .8 mm)	43015
.035" - .045" (.9 mm - 1.2 mm)	44115
.045" - 1/16" (1.2 mm - 1.6 mm)	44215
5/64" (2.0 mm)	44315
3/32" (2.4 mm)	45415
7/64" (2.8 mm)	45615
1/8" (3.2 mm)	46715

DIRECT PLUG KITS

Direct Plug Kit	Part Number
Bernard®	1199
Miller®	1199M
Lincoln®	1199L
Tweco 4®	1199T4
Euro®	1199E
Tweco 5®	1199T5

Bernard® and Miller® are registered trademarks of Illinois Tool Works Inc. Other brands mentioned are for reference only and are the registered trademarks of their respective companies, and are not affiliated with Illinois Tool Works Inc.

INNER BODY

Length	Part Number
3-5/8" (9.2 cm)	2670012A
6-5/8" (16.8 cm)	2670012B
9-5/8" (24.5 cm)	2670012C

JUMP LINERS (Standard)

Wire Size	Part Number
.023" - .030" (.6 mm - .8 mm)	QJL-2330
.035" - .045" (.9 mm - 1.2 mm)	QJL-3545
.045" - 1/16" (1.2 mm - 1.6 mm)	QJL-116
5/64" (2.0 mm)	N/A
3/32" (2.4 mm)	N/A
7/64" (2.8 mm)	N/A
1/8" (3.2 mm)	N/A

OUTER BODY

Length	Part Number
3-5/8" (9.2 cm)	2670008A
6-5/8" (16.8 cm)	2670008B
9-5/8" (24.5 cm)	2670008C

